
MCF547x Reference Manual

Devices Supported:

MCF5475

MCF5474

MCF5473

MCF5472

MCF5471

MCF5470

MCF5475RM

Rev. 2.1

10/2004

How to Reach Us:

Home Page:

www.freescale.com

E-mail:

support@freescale.com

USA/Europe or Locations Not Listed:

Freescale Semiconductor
Technical Information Center, CH370
1300 N. Alma School Road
Chandler, Arizona 85224
+1-800-521-6274 or +1-480-768-2130
support@freescale.com

Europe, Middle East, and Africa:

Freescale Halbleiter Deutschland GmbH
Technical Information Center
Schatzbogen 7
81829 Muenchen, Germany
+44 1296 380 456 (English)
+46 8 52200080 (English)
+49 89 92103 559 (German)
+33 1 69 35 48 48 (French)
support@freescale.com

Japan:

Freescale Semiconductor Japan Ltd.
Technical Information Center
3-20-1, Minami-Azabu, Minato-ku
Tokyo 106-0047, Japan
0120 191014 or +81 3 3440 3569
support.japan@freescale.com

Asia/Pacific:

Freescale Semiconductor Hong Kong Ltd.
Technical Information Center
2 Dai King Street
Tai Po Industrial Estate
Tai Po, N.T., Hong Kong
+800 26668334
support.asia@freescale.com

For Literature Requests Only:

Freescale Semiconductor Literature Distribution Center
P.O. Box 5405
Denver, Colorado 80217
1-800-441-2447 or 303-675-2140
Fax: 303-675-2150
LDCForFreescaleSemiconductor@hibbertgroup.com

Information in this document is provided solely to enable system and software implementers to use Freescale Semiconductor products. There are no express or implied copyright licenses granted hereunder to design or fabricate any integrated circuits or integrated circuits based on the information in this document.

Freescale Semiconductor reserves the right to make changes without further notice to any products herein. Freescale Semiconductor makes no warranty, representation or guarantee regarding the suitability of its products for any particular purpose, nor does Freescale Semiconductor assume any liability arising out of the application or use of any product or circuit, and specifically disclaims any and all liability, including without limitation consequential or incidental damages. "Typical" parameters that may be provided in Freescale Semiconductor data sheets and/or specifications can and do vary in different applications and actual performance may vary over time. All operating parameters, including "Typicals", must be validated for each customer application by customer's technical experts. Freescale Semiconductor does not convey any license under its patent rights nor the rights of others. Freescale Semiconductor products are not designed, intended, or authorized for use as components in systems intended for surgical implant into the body, or other applications intended to support or sustain life, or for any other application in which the failure of the Freescale Semiconductor product could create a situation where personal injury or death may occur. Should Buyer purchase or use Freescale Semiconductor products for any such unintended or unauthorized application, Buyer shall indemnify and hold Freescale Semiconductor and its officers, employees, subsidiaries, affiliates, and distributors harmless against all claims, costs, damages, and expenses, and reasonable attorney fees arising out of, directly or indirectly, any claim of personal injury or death associated with such unintended or unauthorized use, even if such claim alleges that Freescale Semiconductor was negligent regarding the design or manufacture of the part.



Freescale™ and the Freescale logo are trademarks of Freescale Semiconductor, Inc. All other product or service names are the property of their respective owners. © Freescale Semiconductor, Inc. 2004. All rights reserved.

MCF5475RM
Rev. 2.1
10/2004

Overview	1
Signal Descriptions	2
ColdFire Core	3
Enhanced Multiply-Accumulate Unit (EMAC)	4
Memory Management Unit (MMU)	5
Floating-Point Unit (FPU)	6
Local Memory	7
Debug Support	8
System Integration Unit (SIU)	9
Internal Clocks and Bus Architecture	10
General Purpose Timers (GPT)	11
Slice Timers (SLT)	12
Interrupt Controller (INTC)	13
Edge Port Module (EPORT)	14
General Purpose I/O (GPIO)	15
System SRAM	16
FlexBus	17
SDRAM Controller (SDRAMC)	18
PCI Bus Controller (PCI)	19
PCI Bus Arbiter (PCIARB)	20
Integrated Security Engine (SEC)	21
IEEE 1149.1 Test Access Port (JTAG)	22
Multichannel DMA (MCD)	23
Comm Timer Module (CTM)	24
Programmable Serial Controller (PSC)	25
I ² C interface	26
DMA Serial Peripheral Interface (DSPI)	27
USB 2.0 Device Controller	28
Fast Ethernet Controller (FEC)	29
Mechanical Data	30
Register Memory Map Quick Reference	A
Index	IND

1	Overview
2	Signal Descriptions
3	ColdFire Core
4	Enhanced Multiply-Accumulate Unit (EMAC)
5	Memory Management Unit (MMU)
6	Floating-Point Unit (FPU)
7	Local Memory
8	Debug Support
9	System Integration Unit (SIU)
10	Internal Clocks and Bus Architecture
11	General Purpose Timers (GPT)
12	Slice Timers (SLT)
13	Interrupt Controller (INTC)
14	Edge Port Module (EPORT)
15	General Purpose I/O (GPIO)
16	System SRAM
17	FlexBus
18	SDRAM Controller (SDRAMC)
19	PCI Bus Controller (PCI)
20	PCI Bus Arbiter (PCIARB)
21	Integrated Security Engine (SEC)
22	IEEE 1149.1 Test Access Port (JTAG)
23	Multichannel DMA (MCD)
24	Comm Timer Module (CTM)
25	Programmable Serial Controller (PSC)
26	I ² C interface
27	DMA Serial Peripheral Interface (DSPI)
28	USB 2.0 Device Controller
29	Fast Ethernet Controller (FEC)
30	Mechanical Data

A	Register Memory Map Quick Reference
IND	Index

Contents

Paragraph Number	Title	Page Number
Chapter 1		
Overview		
1.1	MCF547x Family Overview	1-1
1.2	MCF547x Block Diagram	1-2
1.3	MCF547x Family Products	1-3
1.4	MCF547x Family Features	1-4
1.4.1	ColdFire V4e Core Overview	1-6
1.4.2	Debug Module (BDM)	1-7
1.4.3	JTAG	1-7
1.4.4	On-Chip Memories	1-8
1.4.4.1	Caches	1-8
1.4.4.2	System SRAM	1-8
1.4.5	PLL and Chip Clocking Options	1-8
1.4.6	Communications I/O Subsystem	1-8
1.4.6.1	DMA Controller	1-8
1.4.6.2	10/100 Fast Ethernet Controller (FEC)	1-9
1.4.6.3	USB 2.0 Device (Universal Serial Bus)	1-9
1.4.6.4	Programmable Serial Controllers (PSCs)	1-9
1.4.6.5	I2C (Inter-Integrated Circuit)	1-10
1.4.6.6	DMA Serial Peripheral Interface (DSPI)	1-10
1.4.7	DDR SDRAM Memory Controller	1-10
1.4.8	Peripheral Component Interconnect (PCI)	1-11
1.4.9	Flexible Local Bus (FlexBus)	1-11
1.4.10	Security Encryption Controller (SEC)	1-11
1.4.11	System Integration Unit (SIU)	1-12
1.4.11.1	Timers	1-12
1.4.11.2	Interrupt Controller	1-12
1.4.11.3	General Purpose I/O	1-13

Chapter 2

Signal Descriptions

2.1	Introduction	2-1
2.1.1	Block Diagram	2-1
2.2	MCF547x External Signals	2-18
2.2.1	FlexBus Signals	2-18
2.2.1.1	Address/Data Bus (AD[31:0])	2-18
2.2.1.2	Chip Select (FBCS[5:0])	2-18
2.2.1.3	Address Latch Enable (ALE)	2-19
2.2.1.4	Read/Write (R/W)	2-19

Contents

Paragraph Number	Title	Page Number
2.2.1.5	Transfer Burst ($\overline{\text{TBST}}$)	2-19
2.2.1.6	Transfer Size ($\text{TSIZ}[1:0]$)	2-19
2.2.1.7	Byte Selects ($\overline{\text{BE}}/\overline{\text{BWE}}[3:0]$)	2-19
2.2.1.8	Output Enable ($\overline{\text{OE}}$)	2-20
2.2.1.9	Transfer Acknowledge ($\overline{\text{TA}}$)	2-20
2.2.2	SDRAM Controller Signals	2-20
2.2.2.1	SDRAM Data Bus ($\text{SDDATA}[31:0]$)	2-20
2.2.2.2	SDRAM Address Bus ($\text{SDADDR}[12:0]$)	2-20
2.2.2.3	SDRAM Bank Addresses ($\text{SDBA}[1:0]$)	2-20
2.2.2.4	SDRAM Row Address Strobe ($\overline{\text{RAS}}$)	2-20
2.2.2.5	SDRAM Column Address Strobe ($\overline{\text{CAS}}$)	2-20
2.2.2.6	SDRAM Chip Selects ($\text{SDCS}[3:0]$)	2-20
2.2.2.7	SDRAM Write Data Byte Mask ($\text{SDDM}[3:0]$)	2-21
2.2.2.8	SDRAM Data Strobe ($\text{SDDQS}[3:0]$)	2-21
2.2.2.9	SDRAM Clock ($\text{SDCLK}[1:0]$)	2-21
2.2.2.10	Inverted SDRAM Clock ($\text{SDCLK}[1:0]$)	2-21
2.2.2.11	SDRAM Write Enable ($\overline{\text{SDWE}}$)	2-21
2.2.2.12	SDRAM Clock Enable (SDCKE)	2-21
2.2.2.13	SDR SDRAM Data Strobe (SDRDQS)	2-21
2.2.2.14	SDRAM Reference Voltage (VREF)	2-21
2.2.3	PCI Controller Signals	2-21
2.2.3.1	PCI Address/Data Bus ($\text{PCIAD}[31:0]$)	2-21
2.2.3.2	Command/Byte Enables ($\text{PCICXBE}[3:0]$)	2-21
2.2.3.3	Device Select (PCIDEVSEL)	2-22
2.2.3.4	Frame (PCIFRM)	2-22
2.2.3.5	Initialization Device Select (PCIIDSEL)	2-22
2.2.3.6	Initiator Ready (PCIIRDY)	2-22
2.2.3.7	Parity (PCIPAR)	2-22
2.2.3.8	Parity Error (PCIPERR)	2-22
2.2.3.9	Reset (PCIRESET)	2-22
2.2.3.10	System Error (PCISERR)	2-22
2.2.3.11	Stop (PCISTOP)	2-22
2.2.3.12	Target Ready (PCITRDY)	2-22
2.2.3.13	External Bus Grant ($\text{PCIBG}[4:1]$)	2-23
2.2.3.14	External Bus Grant/Request Output ($\overline{\text{PCIBG0}}/\overline{\text{PCIREQOUT}}$)	2-23
2.2.3.15	External Bus Request ($\text{PCIBR}[4:0]$)	2-23
2.2.3.16	External Request/Grant Input ($\text{PCIBR0}/\text{PCIGNTIN}$)	2-23
2.2.4	Interrupt Control Signals	2-23
2.2.4.1	Interrupt Request ($\overline{\text{IRQ}}[7:1]$)	2-23

Contents

Paragraph Number	Title	Page Number
2.2.5	Clock and Reset Signals	2-23
2.2.5.1	Reset In (RSTI)	2-23
2.2.5.2	Reset Out ($\overline{\text{RSTO}}$)	2-23
2.2.5.3	Clock In (CLKIN)	2-23
2.2.6	Reset Configuration Pins	2-24
2.2.6.1	AD[12:8]—CLKIN to SDCLK Ratio (CLKCONFIG[4:0])	2-24
2.2.6.2	AD5—FlexBus Size Configuration (FBSIZE)	2-24
2.2.6.3	AD4—32-bit FlexBus Configuration (FBMODE)	2-24
2.2.6.4	AD3—Byte Enable Configuration (BECONFIG)	2-25
2.2.6.5	AD2—Auto Acknowledge Configuration (AACONFIG)	2-25
2.2.6.6	AD[1:0]—Port Size Configuration (PSCONFIG)	2-25
2.2.7	Ethernet Module Signals	2-26
2.2.7.1	Management Data (E0MDIO, E1MDIO)	2-26
2.2.7.2	Management Data Clock (E0MDC, E1MDC)	2-26
2.2.7.3	Transmit Clock (E0TXCLK, E1TXCLK)	2-26
2.2.7.4	Transmit Enable (E0TXEN, E1TXEN)	2-26
2.2.7.5	Transmit Data 0 (E0TXD0, E1TXD0)	2-26
2.2.7.6	Collision (E0COL, E1COL)	2-26
2.2.7.7	Receive Clock (E0RXCLK, E1RXCLK)	2-26
2.2.7.8	Receive Data Valid (E0RXDV, E1RXDV)	2-27
2.2.7.9	Receive Data 0 (E0RXD0, E1RXD0)	2-27
2.2.7.10	Carrier Receive Sense (E0CRS, E1CRS)	2-27
2.2.7.11	Transmit Data 1–3 (E0TXD[3:1], E1TXD[3:1])	2-27
2.2.7.12	Transmit Error (E0TXER, E1TXER)	2-27
2.2.7.13	Receive Data 1–3 (E0RXD[3:1], E1RXD[3:1])	2-27
2.2.7.14	Receive Error (E0RXER, E1RXER)	2-27
2.2.8	Universal Serial Bus (USB)	2-27
2.2.8.1	USB Differential Data (USB D^+ , USB D^-)	2-27
2.2.8.2	USBVBUS	2-27
2.2.8.3	USBRBIAS	2-28
2.2.8.4	USBCLKIN	2-28
2.2.8.5	USBCLKOUT	2-28
2.2.9	DMA Serial Peripheral Interface (DSPI) Signals	2-28
2.2.9.1	DSPI Synchronous Serial Data Output (DSPISOUT)	2-28
2.2.9.2	DSPI Synchronous Serial Data Input (DSPISIN)	2-28
2.2.9.3	DSPI Serial Clock (DSPISCK)	2-28
2.2.9.4	DSPI Peripheral Chip Select/Slave Select (DSPICS0/SS)	2-28
2.2.9.5	DSPI Chip Selects (DSPICS[2:3])	2-28
2.2.9.6	DSPI Peripheral Chip Select 5/Peripheral Chip Select Strobe (DSPICS5/PCSS)	2-29

Contents

Paragraph Number	Title	Page Number
2.2.10	I ² C I/O SIGNALS	2-29
2.2.10.1	Serial Clock (SCL)	2-29
2.2.10.2	Serial Data (SDA)	2-29
2.2.11	PSC Module Signals	2-29
2.2.11.1	Transmit Serial Data Output (PSC0TXD, PSC1TXD, PSC2TXD, PSC3TXD) ..	2-29
2.2.11.2	Receive Serial Data Input (PSC0RXD, PSC1RXD, PSC2RXD, PSC3RXD)	2-29
2.2.11.3	Clear-to-Send (PSCnCTS/PSCBCLK)	2-29
2.2.11.4	Request-to-Send (PSCnRTS/PSCFSYNC)	2-30
2.2.12	DMA Controller Module Signals	2-30
2.2.12.1	DMA Request (DREQ[1:0])	2-30
2.2.12.2	DMA Acknowledge (DACK[1:0])	2-30
2.2.13	Timer Module Signals	2-30
2.2.13.1	Timer Inputs (TIN[3:0])	2-30
2.2.13.2	Timer Outputs (TOUT[3:0])	2-30
2.2.14	Debug Support Signals	2-30
2.2.14.1	Processor Clock Output (PSTCLK)	2-30
2.2.14.2	Processor Status Debug Data (PSTDDATA[7:0])	2-31
2.2.14.3	Development Serial Clock/Test Reset (DSCLK/TRST)	2-31
2.2.14.4	Breakpoint/Test Mode Select (BKPT/TMS)	2-31
2.2.14.5	Development Serial Input/Test Data Input (DSI/TDI)	2-31
2.2.14.6	Development Serial Output/Test Data Output (DSO/TDO)	2-31
2.2.14.7	Test Clock (TCK)	2-32
2.2.15	Test Signals	2-32
2.2.15.1	Test Mode (MTMOD[3:0])	2-32
2.2.16	Power and Reference Pins	2-32
2.2.16.1	Positive Pad Supply (EVDD)	2-32
2.2.16.2	Positive Core Supply (IVDD)	2-32
2.2.16.3	Ground (VSS)	2-32
2.2.16.4	USB Power (USBVDD)	2-32
2.2.16.5	USB Oscillator Power (USB_OSCVDD)	2-32
2.2.16.6	USB PHY Power (USB_PHYVDD)	2-32
2.2.16.7	USB Oscillator Analog Power (USB_OSCAVDD)	2-33
2.2.16.8	USB PLL Analog Power (USB_PLLVDD)	2-33
2.2.16.9	SDRAM Memory Supply (SDVDD)	2-33
2.2.16.10	PLL Analog Power (PLLVDD)	2-33
2.2.16.11	PLL Analog Ground (PLLVSS)	2-33

Contents

Paragraph Number	Title	Page Number
Chapter 3		
ColdFire Core		
3.1	Core Overview	3-1
3.2	Features	3-1
3.2.1	Enhanced Pipelines	3-2
3.2.1.1	Instruction Fetch Pipeline (IFP)	3-4
3.2.1.2	Operand Execution Pipeline (OEP)	3-4
3.2.1.3	Harvard Memory Architecture	3-6
3.2.2	Debug Module Enhancements	3-6
3.3	Programming Model	3-7
3.3.1	User Programming Model	3-9
3.3.1.1	Data Registers (D0–D7)	3-9
3.3.1.2	Address Registers (A0–A6)	3-9
3.3.2	User Stack Pointer (A7)	3-9
3.3.2.1	Program Counter (PC)	3-9
3.3.2.2	Condition Code Register (CCR)	3-9
3.3.3	EMAC Programming Model	3-10
3.3.4	FPU Programming Model	3-11
3.3.5	Supervisor Programming Model	3-11
3.3.5.1	Status Register (SR)	3-12
3.3.5.2	Vector Base Register (VBR)	3-12
3.3.5.3	Cache Control Register (CACR)	3-13
3.3.5.4	Access Control Registers (ACR0–ACR3)	3-13
3.3.5.5	RAM Base Address Registers (RAMBAR0 and RAMBAR1)	3-13
3.3.5.6	Module Base Address Register (MBAR)	3-13
3.3.6	Programming Model Table	3-13
3.4	Data Format Summary	3-15
3.4.1	Data Organization in Registers	3-15
3.4.1.1	Integer Data Format Organization in Registers	3-15
3.4.1.2	Integer Data Format Organization in Memory	3-16
3.4.2	EMAC Data Representation	3-17
3.4.2.1	Floating-Point Data Formats and Types	3-17
3.5	Addressing Mode Summary	3-18
3.6	Instruction Set Summary	3-19
3.6.1	Additions to the Instruction Set Architecture	3-19
3.6.2	Instruction Set Summary	3-23
3.7	Instruction Execution Timing	3-28
3.7.1	MOVE Instruction Execution Timing	3-29
3.7.2	One-Operand Instruction Execution Timing	3-31
3.7.3	Two-Operand Instruction Execution Timing	3-32

Contents

Paragraph Number	Title	Page Number
3.7.4	Miscellaneous Instruction Execution Timing	3-34
3.7.5	Branch Instruction Execution Timing	3-35
3.7.6	EMAC Instruction Execution Times	3-35
3.7.7	FPU Instruction Execution Times	3-37
3.8	Exception Processing Overview	3-38
3.8.1	Exception Stack Frame Definition	3-40
3.8.2	Processor Exceptions	3-42
3.9	Precise Faults	3-44

Chapter 4 Enhanced Multiply-Accumulate Unit (EMAC)

4.1	Introduction	4-1
4.1.1	MAC Overview	4-2
4.1.2	General Operation	4-2
4.2	Memory Map/Register Definition	4-5
4.2.1	MAC Status Register (MACSR)	4-5
4.2.1.1	Fractional Operation Mode	4-8
4.2.2	Mask Register (MASK)	4-10
4.3	EMAC Instruction Set Summary	4-11
4.3.1	EMAC Instruction Execution Timing	4-12
4.3.2	Data Representation	4-13
4.3.3	EMAC Opcodes	4-13

Chapter 5 Memory Management Unit (MMU)

5.1	Features	5-1
5.2	Virtual Memory Management Architecture	5-1
5.2.1	MMU Architecture Features	5-2
5.2.2	MMU Architecture Location	5-2
5.2.3	MMU Architecture Implementation	5-3
5.2.3.1	Precise Faults	5-4
5.2.3.2	MMU Access	5-4
5.2.3.3	Virtual Mode	5-4
5.2.3.4	Virtual Memory References	5-4
5.2.3.5	Instruction and Data Cache Addresses	5-4
5.2.3.6	Supervisor/User Stack Pointers	5-5
5.2.3.7	Access Error Stack Frame	5-5
5.2.3.8	Expanded Control Register Space	5-5

Contents

Paragraph Number	Title	Page Number
5.2.3.9	Changes to ACRs and CACR	5-5
5.2.3.10	ACR Address Improvements	5-6
5.2.3.11	Supervisor Protection	5-7
5.3	Debugging in a Virtual Environment	5-7
5.4	Virtual Memory Architecture Processor Support	5-7
5.4.1	Precise Faults	5-7
5.4.2	Supervisor/User Stack Pointers	5-7
5.4.3	Access Error Stack Frame Additions	5-8
5.5	MMU Definition	5-9
5.5.1	Effective Address Attribute Determination	5-9
5.5.2	MMU Functionality	5-10
5.5.3	MMU Organization	5-10
5.5.3.1	MMU Base Address Register (MMUBAR)	5-10
5.5.3.2	MMU Memory Map	5-11
5.5.3.3	MMU Control Register (MMUCR)	5-12
5.5.3.4	MMU Operation Register (MMUOR)	5-13
5.5.3.5	MMU Status Register (MMUSR)	5-15
5.5.3.6	MMU Fault, Test, or TLB Address Register (MMUAR)	5-16
5.5.3.7	MMU Read/Write Tag and Data Entry Registers (MMUTR and MMUDR)	5-17
5.5.4	MMU TLB	5-19
5.5.5	MMU Operation	5-20
5.6	MMU Implementation	5-21
5.6.1	TLB Address Fields	5-21
5.6.2	TLB Replacement Algorithm	5-22
5.6.3	TLB Locked Entries	5-23
5.7	MMU Instructions	5-24

Chapter 6 Floating-Point Unit (FPU)

6.1	Introduction	6-1
6.1.1	Overview	6-1
6.1.1.1	Notational Conventions	6-1
6.2	Operand Data Formats and Types	6-3
6.2.1	Signed-Integer Data Formats	6-3
6.2.2	Floating-Point Data Formats	6-3

Contents

Paragraph Number	Title	Page Number
6.2.3	Floating-Point Data Types	6-4
6.2.3.1	Normalized Numbers	6-4
6.2.3.2	Zeros	6-4
6.2.3.3	Infinities	6-4
6.2.3.4	Not-A-Number	6-5
6.2.3.5	Denormalized Numbers	6-5
6.3	Register Definition	6-7
6.3.1	Floating-Point Data Registers (FP0–FP7)	6-7
6.3.2	Floating-Point Control Register (FPCR)	6-7
6.3.3	Floating-Point Status Register (FPSR)	6-9
6.3.4	Floating-Point Instruction Address Register (FPIAR)	6-10
6.4	Floating-Point Computational Accuracy	6-11
6.4.1	Intermediate Result	6-11
6.4.2	Rounding the Result	6-12
6.5	Floating-Point Post-Processing	6-14
6.5.1	Underflow, Round, Overflow	6-14
6.5.2	Conditional Testing	6-15
6.6	Floating-Point Exceptions	6-17
6.6.1	Floating-Point Arithmetic Exceptions	6-18
6.6.1.1	Branch/Set on Unordered (BSUN)	6-19
6.6.1.2	Input Not-A-Number (INAN)	6-20
6.6.1.3	Input Denormalized Number (IDE)	6-20
6.6.1.4	Operand Error (OPERR)	6-21
6.6.1.5	Overflow (OVFL)	6-21
6.6.1.6	Underflow (UNFL)	6-22
6.6.1.7	Divide-by-Zero (DZ)	6-22
6.6.1.8	Inexact Result (INEX)	6-23
6.6.2	Floating-Point State Frames	6-23
6.7	Instructions	6-25
6.7.1	Floating-Point Instruction Overview	6-25
6.7.2	Floating-Point Instruction Execution Timing	6-27
6.7.3	Key Differences between ColdFire and M68000 FPU Programming Models	6-28

Chapter 7 Local Memory

7.1	Interactions between Local Memory Modules	7-1
7.2	SRAM Overview	7-1
7.3	SRAM Operation	7-2

Contents

Paragraph Number	Title	Page Number
7.4	SRAM Register Definition	7-2
7.4.1	SRAM Base Address Registers (RAMBAR0/RAMBAR1)	7-2
7.5	SRAM Initialization	7-4
7.5.1	SRAM Initialization Code	7-5
7.6	Power Management	7-6
7.7	Cache Overview	7-6
7.8	Cache Organization	7-7
7.8.1	Cache Line States: Invalid, Valid-Unmodified, and Valid-Modified	7-8
7.8.2	The Cache at Start-Up	7-8
7.9	Cache Operation	7-10
7.9.1	Caching Modes	7-12
7.9.1.1	Write-Through Mode (Data Cache Only)	7-12
7.9.1.2	Copyback Mode (Data Cache Only)	7-13
7.9.2	Cache-Inhibited Accesses	7-13
7.9.3	Cache Protocol	7-14
7.9.3.1	Read Miss	7-14
7.9.3.2	Write Miss (Data Cache Only)	7-14
7.9.3.3	Read Hit	7-15
7.9.3.4	Write Hit (Data Cache Only)	7-15
7.9.4	Cache Coherency (Data Cache Only)	7-15
7.9.5	Memory Accesses for Cache Maintenance	7-15
7.9.5.1	Cache Filling	7-15
7.9.5.2	Cache Pushes	7-16
7.9.6	Cache Locking	7-17
7.10	Cache Register Definition	7-19
7.10.1	Cache Control Register (CACR)	7-19
7.10.2	Access Control Registers (ACR0–ACR3)	7-22
7.11	Cache Management	7-24
7.12	Cache Operation Summary	7-27
7.12.1	Instruction Cache State Transitions	7-27
7.12.2	Data Cache State Transitions	7-28
7.13	Cache Initialization Code	7-32

Chapter 8 Debug Support

8.1	Introduction	8-1
8.1.1	Overview	8-1
8.2	Signal Descriptions	8-2
8.2.1	Processor Status/Debug Data (PSTDDATA[7:0])	8-3

Contents

Paragraph Number	Title	Page Number
8.3	Real-Time Trace Support	8-5
8.3.1	Begin Execution of Taken Branch (PST = 0x5)	8-6
8.3.2	Processor Stopped or Breakpoint State Change (PST = 0xE)	8-7
8.3.3	Processor Halted (PST = 0xF)	8-8
8.4	Register Definition	8-9
8.4.1	Revision A Shared Debug Resources	8-11
8.4.2	Address Attribute Trigger Registers (AATR, AATR1)	8-11
8.4.3	Address Breakpoint Registers (ABLR/ABLR1, ABHR/ABHR1)	8-13
8.4.4	BDM Address Attribute Register (BAAR)	8-14
8.4.5	Configuration/Status Register (CSR)	8-15
8.4.6	Data Breakpoint and Mask Registers (DBR/DBR1, DBMR/DBMR1)	8-18
8.4.7	Program Counter Breakpoint and Mask Registers (PBR, PBR1, PBR2, PBR3, PBMR)	8-20
8.4.8	Trigger Definition Register (TDR)	8-22
8.4.9	Extended Trigger Definition Register (XTDR)	8-25
8.4.9.1	Resulting Set of Possible Trigger Combinations	8-27
8.4.10	PC Breakpoint ASID Control Register (PBAC)	8-28
8.4.11	PC Breakpoint ASID Register (PBASID)	8-29
8.5	Background Debug Mode (BDM)	8-30
8.5.1	CPU Halt	8-30
8.5.2	BDM Serial Interface	8-32
8.5.2.1	Receive Packet Format	8-33
8.5.2.2	Transmit Packet Format	8-33
8.5.3	BDM Command Set	8-33
8.5.3.1	ColdFire BDM Command Format	8-35
8.5.3.2	Command Sequence Diagrams	8-35
8.5.3.3	Command Set Descriptions	8-37
8.6	Real-Time Debug Support	8-53
8.6.1	Theory of Operation	8-53
8.6.1.1	Emulator Mode	8-55
8.6.2	Concurrent BDM and Processor Operation	8-56
8.7	Debug C Definition of PSTDDATA Outputs	8-56
8.7.1	User Instruction Set	8-56
8.7.2	Supervisor Instruction Set	8-62
8.8	ColdFire Debug History	8-63
8.8.1	ColdFire Debug Classic: The Original Definition	8-63
8.8.2	ColdFire Debug Revision B	8-64
8.8.3	ColdFire Debug Revision C	8-64
8.8.3.1	Debug Interrupts and Interrupt Requests (Emulator Mode)	8-64
8.9	Freescale-Recommended BDM Pinout	8-66

Contents

Paragraph Number	Title	Page Number
Chapter 9		
System Integration Unit (SIU)		
9.1	Introduction	9-1
9.2	Features	9-1
9.3	Memory Map/Register Definition	9-1
9.3.1	Module Base Address Register (MBAR)	9-2
9.3.1.1	System Breakpoint Control Register (SBCR)	9-3
9.3.1.2	SEC Sequential Access Control Register (SECSACR)	9-4
9.3.1.3	Reset Status Register (RSR)	9-5
9.3.1.4	JTAG Device Identification Number (JTAGID)	9-6
Chapter 10		
Internal Clocks and Bus Architecture		
10.1	Introduction	10-1
10.1.1	Block Diagram	10-1
10.1.2	Clocking Overview	10-2
10.1.3	Internal Bus Overview	10-3
10.1.4	XL Bus Features	10-3
10.1.5	Internal Bus Transaction Summaries	10-4
10.1.6	XL Bus Interface Operations	10-4
10.1.6.1	Basic Transfer Protocol	10-4
10.1.6.2	Address Pipelines	10-5
10.2	XL Bus Arbiter	10-5
10.2.1	Features	10-5
10.2.2	Arbiter Functional Description	10-6
10.2.2.1	Prioritization	10-6
10.2.2.2	Bus Grant Mechanism	10-6
10.2.2.3	Watchdog Functions	10-7
10.2.3	XLB Arbiter Register Descriptions	10-8
10.2.3.1	Arbiter Configuration Register (XARB_CFG)	10-8
10.2.3.2	Arbiter Version Register (XARB_VER)	10-10
10.2.3.3	Arbiter Status Register (XARB_SR)	10-10
10.2.3.4	Arbiter Interrupt Mask Register (XARB_IMR)	10-11
10.2.3.5	Arbiter Address Capture Register (XARB_ADRCAP)	10-13
10.2.3.6	Arbiter Bus Signal Capture Register (XARB_SIGCAP)	10-13
10.2.3.7	Arbiter Address Tenure Time Out Register (XARB_ADRTO)	10-15
10.2.3.8	Arbiter Data Tenure Time Out Register (XARB_DATTO)	10-15

Contents

Paragraph Number	Title	Page Number
10.2.3.9	Arbiter Bus Activity Time Out Register (XARB_BUSTO)	10-16
10.2.3.10	Arbiter Master Priority Enable Register (XARB_PRIEN)	10-16
10.2.3.11	Arbiter Master Priority Register (XARB_PRI)	10-17

Chapter 11 General Purpose Timers (GPT)

11.1	Introduction	11-1
11.1.1	Overview	11-1
11.1.2	Modes of Operation	11-1
11.2	External Signals	11-2
11.3	Memory Map/Register Definition	11-2
11.3.1	GPT Enable and Mode Select Register (GMSn)	11-3
11.3.2	GPT Counter Input Register (GCIRn)	11-6
11.3.3	GPT PWM Configuration Register (GPWMn)	11-7
11.3.4	GPT Status Register (GSRn)	11-8
11.4	Functional Description	11-9
11.4.1	Timer Configuration Method	11-9
11.4.2	Programming Notes	11-9

Chapter 12 Slice Timers (SLT)

12.1	Introduction	12-1
12.1.1	Overview	12-1
12.2	Memory Map/Register Definition	12-1
12.2.1	SLT Terminal Count Register (STCNTn)	12-2
12.2.2	SLT Control Register (SCRn)	12-2
12.2.3	SLT Timer Count Register (SCNTn)	12-3
12.2.4	SLT Status Register (SSRn)	12-4

Chapter 13 Interrupt Controller

13.1	Introduction	13-1
13.1.1	68K/ColdFire Interrupt Architecture Overview	13-1
13.1.1.1	Interrupt Controller Theory of Operation	13-2

Contents

Paragraph Number	Title	Page Number
13.2	Memory Map/Register Descriptions	13-4
13.2.1	Register Descriptions	13-6
13.2.1.1	Interrupt Pending Registers (IPRH, IPRL)	13-6
13.2.1.2	Interrupt Mask Register (IMRH, IMRL)	13-7
13.2.1.3	Interrupt Force Registers (INTFRCH, INTFRCL)	13-9
13.2.1.4	Interrupt Request Level Register (IRLR)	13-11
13.2.1.5	Interrupt Acknowledge Level and Priority Register (IACKLPR)	13-11
13.2.1.6	Interrupt Control Registers 1–63 (ICR _n)	13-12
13.2.1.7	Software and Level n IACK Registers (SWIACKR, L1IACK–L7IACK)	13-15

Chapter 14 Edge Port Module (EPORT)

14.1	Introduction	14-1
14.2	Interrupt/General-Purpose I/O Pin Descriptions	14-1
14.3	Memory Map/Register Definition	14-2
14.3.1	Memory Map	14-2
14.3.2	Register Descriptions	14-2
14.3.2.1	EPORT Pin Assignment Register (EPPAR)	14-3
14.3.2.2	EPORT Data Direction Register (EPDDR)	14-3
14.3.2.3	Edge Port Interrupt Enable Register (EPIER)	14-4
14.3.2.4	Edge Port Data Register (EPDR)	14-4
14.3.2.5	Edge Port Pin Data Register (EPPDR)	14-5
14.3.2.6	Edge Port Flag Register (EPFR)	14-5

Chapter 15 GPIO

15.1	Introduction	15-1
15.1.1	Overview	15-3
15.1.2	Features	15-3
15.2	External Pin Description	15-3
15.3	Memory Map/Register Definition	15-8
15.3.1	Register Overview	15-8
15.3.2	Register Descriptions	15-9
15.3.2.1	Port x Output Data Registers (PODR _x)	15-9
15.3.2.2	Port x Data Direction Registers (PDDR _x)	15-13
15.3.2.3	Port x Pin Data/Set Data Registers (PPDSDR _x)	15-15
15.3.2.4	Port Clear Output Data Registers (PCLRR _x)	15-19
15.3.2.5	Port x Pin Assignment Registers (PAR _x)	15-22

Contents

Paragraph Number	Title	Page Number
15.3.2.6	FlexBus Chip Select Pin Assignment Register (PAR_FBCS)	15-23
15.3.2.7	DMA Pin Assignment Register (PAR_DMA)	15-24
15.3.2.8	FEC/I2C/IRQ Pin Assignment Register (PAR_FECI2CIRQ)	15-25
15.3.2.9	PCI Grant Pin Assignment Register (PAR_PCIBG)	15-26
15.3.2.10	PCI Request Pin Assignment Register (PAR_PCIBR)	15-27
15.3.2.11	PSC3 Pin Assignment Register (PAR_PSC3)	15-28
15.3.2.12	PSC2 Pin Assignment Register (PAR_PSC2)	15-29
15.3.2.13	PSC1 Pin Assignment Register (PAR_PSC1)	15-30
15.3.2.14	PSC0 Pin Assignment Register (PAR_PSC0)	15-32
15.3.2.15	DSPI Pin Assignment Register (PAR_DSPI)	15-33
15.3.2.16	General Purpose Timer Pin Assignment Register (PAR_TIMER)	15-34
15.4	Functional Description	15-35
15.4.1	Overview	15-35

Chapter 16 32-Kbyte System SRAM

16.1	Introduction	16-1
16.1.1	Block Diagram	16-1
16.1.2	Features	16-2
16.1.3	Overview	16-2
16.2	Memory Map/Register Definition	16-2
16.2.1	System SRAM Configuration Register (SSCR)	16-3
16.2.2	Transfer Count Configuration Register (TCCR)	16-4
16.2.3	Transfer Count Configuration Register—DMA Read Channel (TCCRDR)	16-5
16.2.4	Transfer Count Configuration Register—DMA Write Channel (TCCRDW)	16-6
16.2.5	Transfer Count Configuration Register—SEC (TCCRSEC)	16-7
16.3	Functional Description	16-8

Chapter 17 FlexBus

17.1	Introduction	17-1
17.1.1	Block Diagram	17-1
17.1.2	Overview	17-1
17.1.3	Features	17-1
17.1.4	Modes of Operation	17-1
17.2	Byte Lanes	17-2
17.3	Address Latch	17-2

Contents

Paragraph Number	Title	Page Number
17.4	External Signals	17-3
17.4.1	Chip-Select (FBCS[5:0])	17-4
17.4.2	Address/Data Bus (AD[31:0])	17-4
17.4.3	Address Latch Enable (ALE)	17-4
17.4.4	Read/Write ($\overline{R/W}$)	17-4
17.4.5	Transfer Burst (\overline{TBST})	17-4
17.4.6	Transfer Size (TSIZ[1:0])	17-4
17.4.7	Byte Selects (BE/BWE[3:0])	17-5
17.4.8	Output Enable (\overline{OE})	17-5
17.4.9	Transfer Acknowledge (\overline{TA})	17-5
17.5	Chip-Select Operation	17-6
17.5.1	General Chip-Select Operation	17-6
17.5.1.1	8-, 16-, and 32-Bit Port Sizing	17-6
17.5.1.2	Global Chip-Select Operation	17-6
17.5.2	Chip-Select Registers	17-7
17.5.2.1	Chip-Select Address Registers (CSAR0–CSAR5)	17-8
17.5.2.2	Chip-Select Mask Registers (CSMR0–CSMR5)	17-9
17.5.2.3	Chip-Select Control Registers (CSCR0–CSCR5)	17-10
17.6	Functional Description	17-12
17.6.1	Data Transfer Operation	17-12
17.6.2	Data Byte Alignment and Physical Connections	17-13
17.6.3	Address/Data Bus Multiplexing	17-13
17.6.4	Bus Cycle Execution	17-14
17.6.4.1	Data Transfer Cycle States	17-14
17.6.5	FlexBus Timing Examples	17-15
17.6.5.1	Basic Read Bus Cycle	17-15
17.6.5.2	Basic Write Bus Cycle	17-16
17.6.5.3	Bus Cycle Multiplexing	17-17
17.6.5.4	Timing Variations	17-23
17.6.6	Burst Cycles	17-27
17.6.7	Misaligned Operands	17-32
17.6.8	Bus Errors	17-33

Chapter 18 SDRAM Controller (SDRAMC)

18.1	Introduction	18-1
18.2	Overview	18-1
18.2.1	Features	18-1
18.2.2	Terminology	18-2
18.2.3	Block Diagram	18-2

Contents

Paragraph Number	Title	Page Number
18.3	External Signal Description	18-3
18.3.1	SDRAM Data Bus (SDDATA[31:0])	18-3
18.3.2	SDRAM Address Bus (SDADDR[12:0])	18-3
18.3.3	SDRAM Bank Addresses (SDBA[1:0])	18-3
18.3.4	SDRAM Row Address Strobe ($\overline{\text{RAS}}$)	18-3
18.3.5	SDRAM Column Address Strobe ($\overline{\text{CAS}}$)	18-3
18.3.6	SDRAM Chip Selects (SDCS[3:0])	18-3
18.3.7	SDRAM Write Data Byte Mask (SDDM[3:0])	18-3
18.3.8	SDRAM Data Strobe (SDDQS[3:0])	18-3
18.3.9	SDRAM Clock (SDCLK[1:0])	18-4
18.3.10	Inverted SDRAM Clock ($\overline{\text{SDCLK}}$ [1:0])	18-4
18.3.11	SDRAM Write Enable (SDWE)	18-4
18.3.12	SDRAM Clock Enable (SDCKE)	18-4
18.3.13	SDR SDRAM Data Strobe (SDRDQS)	18-4
18.3.14	SDRAM Memory Supply (SDVDD)	18-4
18.3.15	SDRAM Reference Voltage (VREF)	18-4
18.4	Interface Recommendations	18-5
18.4.1	Supported Memory Configurations	18-5
18.4.2	SDRAM SDR Connections	18-6
18.4.3	SDRAM DDR Component Connections	18-7
18.4.4	SDRAM DDR DIMM Connections	18-8
18.4.5	DDR SDRAM Layout Considerations	18-9
18.4.5.1	Termination Example	18-10
18.5	SDRAM Overview	18-10
18.5.1	SDRAM Commands	18-10
18.5.1.1	Row and Bank Active Command (ACTV)	18-11
18.5.1.2	Read Command (READ)	18-11
18.5.1.3	Write Command (WRITE)	18-11
18.5.1.4	Precharge All Banks Command (PALL)	18-12
18.5.1.5	Load Mode/Extended Mode Register Command (LMR, LEMR)	18-12
18.5.1.6	Auto Refresh Command (REF)	18-14
18.5.1.7	Self Refresh (SREF) and Power Down (PDWN) Commands	18-14
18.5.2	Power-Up Initialization	18-14
18.5.2.1	SDR Initialization	18-15
18.5.2.2	DDR Initialization	18-15
18.6	Functional Overview	18-16
18.6.1	Page Management	18-16
18.6.2	Transfer Size	18-16
18.7	Memory Map/Register Definition	18-17
18.7.1	Memory Map	18-17
18.7.2	SDRAM Drive Strength Register (SDRAMDS)	18-18

Contents

Paragraph Number	Title	Page Number
18.7.3	SDRAM Chip Select Configuration Registers (CSnCFG)	18-19
18.7.4	SDRAM Mode/Extended Mode Register (SDMR)	18-21
18.7.5	SDRAM Control Register (SDCR)	18-22
18.7.6	SDRAM Configuration Register 1 (SDCFG1)	18-23
18.7.7	SDRAM Configuration Register 2 (SDCFG2)	18-25
18.8	SDRAM Example	18-26
18.9	SDRAM Example	18-26
18.9.1	SDRAM Signal Drive Strength Settings	18-27
18.9.2	SDRAM Chip Select Settings	18-28
18.9.3	SDRAM Configuration 1 Register Settings	18-28
18.9.4	SDRAM Configuration 2 Register Settings	18-30
18.9.5	SDRAM Control Register Settings and PALL command	18-30
18.9.6	Set the Extended Mode Register	18-31
18.9.7	Set the Mode Register and Reset DLL	18-32
18.9.8	Issue a PALL command	18-33
18.9.9	Perform Two Refresh Cycles	18-34
18.9.10	Clear the Reset DLL Bit in the Mode Register	18-35
18.9.11	Enable Automatic Refresh and Lock Mode Register	18-35
18.9.12	Initialization Code	18-37

Chapter 19 PCI Bus Controller

19.1	Introduction	19-1
19.1.1	Block Diagram	19-1
19.1.2	Overview	19-1
19.1.3	Features	19-2
19.2	External Signal Description	19-2
19.2.1	Address/Data Bus (PCIAD[31:0])	19-2
19.2.2	Command/Byte Enables (PCICXBE[3:0])	19-3
19.2.3	Device Select (PCIDEVSEL)	19-3
19.2.4	Frame (PCIFRAME)	19-3
19.2.5	Initialization Device Select (PCIIDSEL)	19-3
19.2.6	Initiator Ready (PCIIRDY)	19-3
19.2.7	Parity (PCIPAR)	19-3
19.2.8	PCI Clock (CLKIN)	19-3
19.2.9	Parity Error (PCIPERR)	19-3
19.2.10	Reset (PCIRESET)	19-3
19.2.11	System Error (PCISERR)	19-3
19.2.12	Stop (PCISTOP)	19-4
19.2.13	Target Ready (PCITRDY)	19-4

Contents

Paragraph Number	Title	Page Number
19.3	Memory Map/Register Definition	19-4
19.3.1	PCI Type 0 Configuration Registers	19-6
19.3.1.1	Device ID/Vendor ID Register (PCIIDR)—PCI Dword Addr 0	19-7
19.3.1.2	PCI Status/Command Register (PCISCR)—PCI Dword Addr 1	19-8
19.3.1.3	Revision ID/Class Code Register (PCICCRIR)—PCI Dword 3	19-10
19.3.1.4	Configuration 1 Register (PCICR1)—PCI Dword 3	19-11
19.3.1.5	Base Address Register 0 (PCIBAR0)—PCI Dword 4	19-12
19.3.1.6	Base Address Register 1 (PCIBAR1)—PCI Dword 5	19-13
19.3.1.7	CardBus CIS Pointer Register PCICCP(RW)—PCI Dword A, Reg Addr MBAR + 0xB28	19-13
19.3.1.8	Subsystem ID/ Subsystem Vendor ID Registers PCISID(RW)— PCI Dword B, Reg Addr MBAR + 0xB2C	19-14
19.3.1.9	Expansion ROM Base Address PCIERBAR(R)—PCI Dword C, Reg Addr MBAR + 0xB30	19-14
19.3.1.10	Capabilities Pointer (Cap_Ptr) PCICPR(R)—PCI Dword D, Reg Addr MBAR + 0xB34	19-14
19.3.1.11	Configuration 2 Register (PCICR2)—PCI Dword F	19-14
19.3.2	General Control/Status Registers	19-15
19.3.2.1	Global Status/Control Register (PCIGSCR)	19-16
19.3.2.2	Target Base Address Translation Register 0 (PCITBATR0)	19-17
19.3.2.3	Target Base Address Translation Register 1 (PCITBATR1)	19-18
19.3.2.4	Target Control Register (PCITCR)	19-19
19.3.2.5	Initiator Window 0 Base/Translation Address Register (PCIIW0BTAR)	19-20
19.3.2.6	Initiator Window 1 Base/Translation Address Register (PCIIW1BTAR)	19-21
19.3.2.7	Initiator Window 2 Base/Translation Address Register (PCIIW2BTAR)	19-21
19.3.2.8	Initiator Window Configuration Register (PCIIWCR)	19-22
19.3.2.9	Initiator Control Register (PCIICR)	19-23
19.3.2.10	Initiator Status Register (PCIISR)	19-24
19.3.2.11	Configuration Address Register (PCICAR)	19-25
19.3.3	Communication Subsystem Interface Registers	19-26
19.3.3.1	Comm Bus FIFO Transmit Interface	19-26
19.3.3.2	Comm Bus FIFO Receive Interface	19-40
19.4	Functional Description	19-53
19.4.1	PCI Bus Protocol	19-53
19.4.1.1	PCI Bus Background	19-54
19.4.1.2	Basic Transfer Control	19-54
19.4.1.3	PCI Transactions	19-55
19.4.1.4	PCI Bus Commands	19-56
19.4.1.5	Addressing	19-57

Contents

Paragraph Number	Title	Page Number
19.4.2	Initiator Arbitration	19-61
19.4.2.1	Priority Scheme	19-61
19.4.3	Configuration Interface	19-61
19.4.4	XL Bus Initiator Interface	19-61
19.4.4.1	Endian Translation	19-63
19.4.4.2	Configuration Mechanism	19-65
19.4.4.3	Interrupt Acknowledge Transactions	19-67
19.4.4.4	Special Cycle Transactions	19-67
19.4.4.5	Transaction Termination	19-68
19.4.5	XL Bus Target Interface	19-68
19.4.5.1	Reads from Local Memory	19-69
19.4.5.2	Local Memory Writes	19-69
19.4.5.3	Data Translation	19-69
19.4.5.4	Target Abort	19-71
19.4.5.5	Latrule Disable	19-71
19.4.6	Communication Subsystem Initiator Interface	19-71
19.4.6.1	Access Width	19-72
19.4.6.2	Addressing	19-72
19.4.6.3	Data Translation	19-73
19.4.6.4	Initialization	19-73
19.4.6.5	Restart and Reset	19-73
19.4.6.6	PCI Commands	19-74
19.4.6.7	FIFO Considerations	19-74
19.4.6.8	Alarms	19-75
19.4.6.9	Bus Errors	19-75
19.4.7	PCI Clock Scheme	19-75
19.4.8	Interrupts	19-75
19.4.8.1	PCI Bus Interrupts	19-75
19.4.8.2	Internal Interrupt	19-75
19.5	Application Information	19-76
19.5.1	XL Bus-Initiated Transaction Mapping	19-76
19.5.2	Address Maps	19-77
19.5.2.1	Address Translation	19-77
19.6	XL Bus Arbitration Priority	19-80

Contents

Paragraph Number	Title	Page Number
Chapter 20		
PCI Bus Arbiter Module		
20.1	Introduction	20-1
20.1.1	Block Diagram	20-1
20.1.2	Overview	20-1
20.1.3	Features	20-2
20.2	External Signal Description	20-2
20.2.1	Frame (PCIFRM)	20-2
20.2.2	Initiator Ready (PCIIRDY)	20-2
20.2.3	PCI Clock (CLKIN)	20-2
20.2.4	External Bus Grant (PCIBG[4:1])	20-2
20.2.5	External Bus Grant/Request Output (PCIBG0/PCIREQOUT)	20-3
20.2.6	External Bus Request (PCIBR[4:1])	20-3
20.2.7	External Request/Grant Input (PCIBR0/PCIGNTIN)	20-3
20.3	Register Definition	20-3
20.3.1	PCI Arbiter Control Register (PACR)	20-3
20.4	Functional Description	20-5
20.4.1	External PCI Requests	20-5
20.4.2	Arbitration	20-6
20.4.2.1	Hidden Bus Arbitration	20-6
20.4.2.2	Arbitration Scheme	20-6
20.4.2.3	Arbitration Latency	20-7
20.4.2.4	Arbitration Examples	20-7
20.4.3	Master Time-Out	20-9
20.5	Reset	20-10
20.6	Interrupts	20-10

Chapter 21 **Integrated Security Engine (SEC)**

21.1	Features	21-1
21.2	ColdFire Security Architecture	21-1
21.3	Block Diagram	21-2
21.4	Overview	21-2
21.4.1	Bus Interface	21-2
21.4.2	SEC Controller Unit	21-3
21.4.2.1	Static EU Access	21-3
21.4.2.2	Dynamic EU Access	21-3
21.4.3	Crypto-Channels	21-3

Contents

Paragraph Number	Title	Page Number
21.4.4	Execution Units (EUs)	21-4
21.4.4.1	Data Encryption Standard Execution Unit (DEU)	21-4
21.4.4.2	Arc Four Execution Unit (AFEU)	21-5
21.4.4.3	Advanced Encryption Standard Execution Unit (AESU)	21-6
21.4.4.4	Message Digest Execution Unit (MDEU)	21-7
21.4.4.5	Random Number Generator (RNG)	21-8
21.5	Memory Map/Register Definition	21-9
21.6	Controller	21-11
21.6.1	EU Access	21-12
21.6.2	Multiple EU Assignment	21-12
21.6.3	Multiple Channels	21-12
21.6.4	Controller Registers	21-12
21.6.4.1	EU Assignment Control Register (EUACR)	21-13
21.6.4.2	EU Assignment Status Register (EUASR)	21-14
21.6.4.3	SEC Interrupt Mask Register (SIMR)	21-15
21.6.4.4	SEC Interrupt Status Register (SISR)	21-15
21.6.4.5	SEC Interrupt Control Register (SICR)	21-15
21.6.4.6	SEC ID Register (SIDR)	21-18
21.6.4.7	SEC Master Control Register (SMCR)	21-18
21.6.4.8	Master Error Address Register (MEAR)	21-19
21.7	Channels	21-20
21.7.1	Crypto-Channel Registers	21-20
21.7.1.1	Crypto-Channel Configuration Registers (CCCRn)	21-21
21.7.1.2	Crypto-Channel Pointer Status Registers (CCPSRn)	21-23
21.7.1.3	Crypto-Channel Current Descriptor Pointer Register (CDPRn)	21-28
21.7.1.4	Fetch Register (FRn)	21-28
21.7.1.5	Data Packet Descriptor Buffer (CDBUFn)	21-29
21.8	ARC Four Execution Unit (AFEU)	21-30
21.8.1	AFEU Register Map	21-30
21.8.2	AFEU Reset Control Register (AFRCR)	21-30
21.8.3	AFEU Status Register (AFSR)	21-31
21.8.4	AFEU Interrupt Status Register (AFISR)	21-32
21.8.5	AFEU Interrupt Mask Register (AFIMR)	21-34
21.9	Data Encryption Standard Execution Units (DEU)	21-36
21.9.1	DEU Register Map	21-36
21.9.2	DEU Reset Control Register (DRCR)	21-36
21.9.3	DEU Status Register (DSR)	21-37
21.9.4	DEU Interrupt Status Register (DISR)	21-39
21.9.5	DEU Interrupt Mask Register (DIMR)	21-41

Contents

Paragraph Number	Title	Page Number
21.10	Message Digest Execution Unit (MDEU)	21-43
21.10.1	MDEU Register Map	21-43
21.10.2	MDEU Reset Control Register (MDRCR)	21-43
21.10.3	MDEU Status Register (MDSR)	21-44
21.10.4	MDEU Interrupt Status Register (MDISR)	21-45
21.10.5	MDEU Interrupt Mask Register (MDIMR)	21-47
21.11	RNG Execution Unit (RNG)	21-49
21.11.1	RNG Register Map	21-49
21.11.2	RNG Reset Control Register (RNGRCR)	21-49
21.11.3	RNG Status Register (RNGSR)	21-50
21.11.4	RNG Interrupt Status Register (RNGISR)	21-52
21.11.5	RNG Interrupt Mask Register (RNGIMR)	21-53
21.12	Advanced Encryption Standard Execution Units (AESU)	21-54
21.12.1	AESU Register Map	21-54
21.12.2	AESU Reset Control Register (AESRCR)	21-54
21.12.3	AESU Status Register (AESSR)	21-55
21.12.4	AESU Interrupt Status Register (AESISR)	21-57
21.12.5	AESU Interrupt Mask Register (AESIMR)	21-58
21.13	Descriptors	21-60
21.13.1	Descriptor Structure	21-60
21.13.1.1	Descriptor Header	21-61
21.13.1.2	Descriptor Length and Pointer Fields	21-64
21.13.1.3	Null Fields	21-65
21.13.1.4	Next Descriptor Pointer	21-65
21.13.2	Descriptor Chaining	21-65
21.13.3	Descriptor Type Formats	21-66
21.13.4	Descriptor Classes	21-68
21.13.4.1	Dynamic Descriptors	21-68
21.13.4.2	Static Descriptors	21-69
21.14	EU Specific Data Packet Descriptors	21-71
21.14.1	AFEU Mode Options and Data Packet Descriptors	21-71
21.14.1.1	Dynamically Assigned AFEU	21-72
21.14.1.2	Statically Assigned AFEU	21-73
21.14.2	DEU Mode Options and Data Packet Descriptors	21-76
21.14.2.1	Dynamically Assigned DEU	21-77
21.14.2.2	Statically Assigned DEU	21-78
21.14.3	MDEU Mode Options and Data Packet Descriptors	21-81
21.14.3.1	Recommended Settings for MDEU Mode Register	21-82
21.14.3.2	Dynamically Assigned MDEU	21-82
21.14.3.3	Statically Assigned MDEU	21-83
21.14.4	RNG Data Packet Descriptors	21-86

Contents

Paragraph Number	Title	Page Number
21.14.5	AESU Mode Options and Data Packet Descriptors	21-87
21.14.5.1	Dynamically Assigned AESU	21-88
21.14.5.2	Statically Assigned AESU	21-89
21.14.5.3	AESU-CCM Mode Descriptor	21-92
21.14.6	Multifunction Data Packet Descriptors	21-95
21.14.6.1	Snooping	21-95
21.14.6.2	Dynamic Multi-Function Descriptor Formats	21-96
21.14.6.3	Static Multi-Function Descriptor Formats	21-100
21.14.6.4	SSLv3.1/TLS 1.0 Processing Descriptors	21-107

Chapter 22 IEEE 1149.1 Test Access Port (JTAG)

22.1	Introduction	22-1
22.1.1	Block Diagram	22-1
22.1.2	Features	22-2
22.1.3	Modes of Operation	22-3
22.2	External Signal Description	22-3
22.2.1	Detailed Signal Description	22-3
22.2.1.1	Test Mode 0 (MTMOD0)	22-3
22.2.1.2	Test Clock Input (TCK)	22-4
22.2.1.3	Test Mode Select / Breakpoint (TMS/ $\overline{\text{BKPT}}$)	22-4
22.2.1.4	Test Data Input / Development Serial Input (TDI/DSI)	22-4
22.2.1.5	Test Reset / Development Serial Clock (TRST/DSCLK)	22-4
22.2.1.6	Test Data Output / Development Serial Output (TDO/DSO)	22-4
22.3	Memory Map/Register Definition	22-5
22.3.1	Memory Map	22-5
22.3.2	Register Descriptions	22-5
22.3.2.1	Instruction Shift Register (IR)	22-5
22.3.2.2	IDCODE Register	22-5
22.3.2.3	Bypass Register	22-6
22.3.2.4	JTAG_CFM_CLKDIV Register	22-6
22.3.2.5	TEST_CTRL Register	22-6
22.3.2.6	Boundary Scan Register	22-6
22.4	Functional Description	22-6
22.4.1	JTAG Module	22-6
22.4.2	TAP Controller	22-7

Contents

Paragraph Number	Title	Page Number
22.4.3	JTAG Instructions	22-7
22.4.3.1	External Test Instruction (EXTEST)	22-8
22.4.3.2	IDCODE Instruction	22-8
22.4.3.3	SAMPLE/PRELOAD Instruction	22-8
22.4.3.4	TEST_LEAKAGE Instruction	22-9
22.4.3.5	ENABLE_TEST_CTRL Instruction	22-9
22.4.3.6	HIGHZ Instruction	22-9
22.4.3.7	LOCKOUT_RECOVERY Instruction	22-9
22.4.3.8	CLAMP Instruction	22-10
22.4.3.9	BYPASS Instruction	22-10
22.5	Initialization/Application Information	22-10
22.5.1	Restrictions	22-10
22.5.2	Nonscan Chain Operation	22-10

Chapter 23 Multichannel DMA

23.1	Introduction	23-1
23.1.1	Block Diagram	23-1
23.1.2	Overview	23-2
23.1.2.1	Master DMA Engine (MDE)	23-2
23.1.2.2	Address and Data Sequencer (ADS)	23-2
23.1.2.3	Priority-Task Decoder (PTD)	23-2
23.1.2.4	Logic Unit with Redundancy Check (LURC)	23-2
23.1.2.5	Debug Unit	23-2
23.1.3	Features	23-2
23.2	External Signals	23-3
23.2.1	$\overline{\text{DREQ}}[1:0]$	23-3
23.2.2	$\overline{\text{DACK}}[1:0]$	23-3
23.3	Memory Map/Register Definitions	23-3
23.3.1	DMA Task Memory	23-3
23.3.1.1	Task Table	23-3
23.3.1.2	Task Descriptor Table	23-3
23.3.1.3	Variable Table	23-4
23.3.1.4	Function Descriptor Table	23-4
23.3.1.5	Context Save Space	23-4
23.3.2	Memory Structure	23-4

Contents

Paragraph Number	Title	Page Number
23.3.3	DMA Registers	23-5
23.3.3.1	DMA Register Map	23-5
23.3.3.2	Task Base Address Register (TaskBAR)	23-7
23.3.3.3	Current Pointer (CP)	23-7
23.3.3.4	End Pointer (EP)	23-8
23.3.3.5	Variable Pointer (VP)	23-9
23.3.3.6	PTD Control (PTD)	23-9
23.3.3.7	DMA Interrupt Pending (DIPR)	23-10
23.3.3.8	DMA Interrupt Mask Register (DIMR)	23-11
23.3.3.9	Task Control Registers (TCRn)	23-11
23.3.3.10	Priority Registers (PRIORn)	23-12
23.3.3.11	Initiator Mux Control Register (IMCR)	23-14
23.3.3.12	Task Size Registers (TSKSZ[0:1])	23-15
23.3.3.13	Debug Comparator Registers (DBGCOMPn)	23-17
23.3.3.14	Debug Control (DBGCTL)	23-18
23.3.3.15	Debug Status (DBGSTAT))	23-20
23.3.3.16	PTD Debug Registers	23-20
23.3.4	External Request Module Registers	23-22
23.3.4.1	External Request Module Register Map	23-22
23.3.4.2	External Request Base Address Register (EREQBAR)	23-22
23.3.4.3	External Request Address Mask Register (EREQMASK)	23-22
23.3.4.4	External Request Control Register (EREQCTRL)	23-23
23.4	Functional Description	23-24
23.4.1	Tasks	23-24
23.4.2	Descriptors	23-25
23.4.3	Task Initialization	23-25
23.4.4	Initiators	23-25
23.4.5	Prioritization	23-25
23.4.6	Context Switch	23-26
23.4.7	Data Movement	23-26
23.4.8	Data Manipulation	23-26
23.4.8.1	LURC Features	23-27
23.4.9	Line Buffers	23-27
23.4.9.1	Combine Write Enable	23-28
23.4.9.2	Read Line Enable	23-28
23.4.9.3	Speculative Prefetch	23-28
23.4.10	Termination of Loop	23-29
23.4.11	Interrupts	23-29
23.4.12	Debug Unit	23-29

Contents

Paragraph Number	Title	Page Number
23.5	Programming Model	23-29
23.5.1	Register Initialization	23-29
23.5.2	Task Memory	23-30
23.5.2.1	Task Table	23-30
23.6	Timing Diagrams	23-32
23.6.1	Level-Triggered Requests	23-32
23.6.2	Edge-Triggered Requests	23-33
23.6.3	Pipelined Requests	23-33

Chapter 24 Comm Timer Module (CTM)

24.1	Introduction	24-1
24.1.1	Block Diagrams	24-1
24.1.2	Overview	24-2
24.2	Memory Map/Register Definition	24-3
24.2.1	Timer Module Register Map	24-3
24.2.2	Register Descriptions	24-4
24.2.2.1	Comm Timer Configuration Register (CTCRn)— Fixed Timer Channel 24-4	
24.2.2.2	Comm Timer Configuration Register (CTCRn)— Variable Timer Channel 24-6	
24.3	Functional Description	24-7
24.3.1	Variable Timer In Baud Clock Generator Mode	24-7
24.3.2	Fixed Timer in Initiator Mode	24-8
24.3.2.1	Fixed Timer in Initiator Mode Example	24-8
24.3.3	Variable Timer in Initiator Mode	24-9
24.3.3.1	Variable Timer in Initiator Mode Example	24-9

Chapter 25 Programmable Serial Controller (PSC)

25.1	Introduction	25-1
25.1.1	Block Diagram	25-1
25.1.2	Overview	25-1
25.1.3	Features	25-1
25.1.4	Modes of Operation	25-2

Contents

Paragraph Number	Title	Page Number
25.2	Signal Description	25-2
25.2.1	PSCnCTS/PSCBCLK	25-2
25.2.2	PScnrts/pscfsync	25-2
25.2.3	PSCnrxd	25-2
25.2.4	pscntxd	25-3
25.2.5	Signal Properties in Each Mode	25-3
25.3	Memory Map/Register Definition	25-3
25.3.1	Overview	25-3
25.3.2	Module Memory Map	25-3
25.3.3	Register Descriptions	25-5
25.3.3.1	Mode Register 1(PSCMR1n)	25-5
25.3.3.2	Mode Register 2 (PSCMR2n)	25-6
25.3.3.3	Status Register (PSCSRn)	25-8
25.3.3.4	Clock Select Register (PSCCSRn)	25-10
25.3.3.5	Command Register (PSCCRn)	25-12
25.3.3.6	Receiver Buffer (PSCRBn) and Transmitter Buffer (PSCTBn)	25-15
25.3.3.7	Input Port Change Register (PSCIPCRn)	25-18
25.3.3.8	Auxiliary Control Register (PSCACRn)	25-19
25.3.3.9	Interrupt Status Register (PSCISRn)	25-19
25.3.3.10	Interrupt Mask Register (PSCIMRn)	25-21
25.3.3.11	Counter Timer Registers (PSCCTURn, PSCCTLRn)	25-22
25.3.3.12	Input Port (PSCIPn)	25-23
25.3.3.13	Output Port Bit Set (PSCOPSETn)	25-23
25.3.3.14	Output Port Bit Reset (PSCOPRESETn)	25-23
25.3.3.15	PSC/IrDA Control Register (PSCSICRn)	25-24
25.3.3.16	Infrared Control Register 1 (PSCIRCR1n)	25-25
25.3.3.17	Infrared Control Register 2 (PSCIRCR2n)	25-26
25.3.3.18	Infrared SIR Divide Register (PSCIRSDRn)	25-26
25.3.3.19	Infrared MIR Divide Register (PSCIRMDRn)	25-26
25.3.3.20	Infrared FIR Divide Register (PSCIRFDRn)	25-27
25.3.3.21	RxFIFO and Tx FIFO Counter Register (PSCRFCNTn, PSCTFCNTn)	25-28
25.3.3.22	RxFIFO and Tx FIFO Data Register (PSCRFDn, PSCTFDn)	25-28
25.3.3.23	RxFIFO and Tx FIFO Status Register (PSCRFSRn, PSCTFSRn)	25-29
25.3.3.24	RxFIFO and Tx FIFO Control Register (PSCRFCRn, PSCTFCRn)	25-31
25.3.3.25	RxFIFO and Tx FIFO Alarm Register (PSCRFArN, PSCTFArN)	25-33
25.3.3.26	RxFIFO and Tx FIFO Read Pointer (PSCRFRPn, PSCTFRPn)	25-34
25.3.3.27	RxFIFO and Tx FIFO Write Pointer (PSCRFWPn, PSCTFWPn)	25-34
25.3.3.28	RxFIFO and Tx FIFO Last Read Frame Pointer (PSCR LRFPn, PSCT LRFPn)	25-35
25.3.3.29	RxFIFO and Tx FIFO Last Write Frame Pointer (PSCR LWFPn, PSCT LWFPn)	25-35

Contents

Paragraph Number	Title	Page Number
25.4	Functional Description	25-36
25.4.1	UART Mode	25-36
25.4.2	Multidrop Mode	25-37
25.4.3	Modem8 Mode	25-39
25.4.4	Modem16 Mode	25-40
25.4.5	AC97 Mode	25-40
25.4.5.1	Transmitter	25-41
25.4.5.2	Receiver	25-41
25.4.5.3	Low Power Mode	25-42
25.4.6	SIR Mode	25-42
25.4.7	MIR Mode	25-42
25.4.7.1	Data Format	25-42
25.4.7.2	Serial Interaction Pulse (SIP)	25-43
25.4.8	FIR Mode	25-43
25.4.8.1	Data Format	25-43
25.4.9	Looping Modes	25-44
25.4.9.1	Automatic Echo Mode	25-45
25.4.9.2	Local Loopback Mode	25-45
25.4.9.3	Remote Loopback Mode	25-46
25.5	Resets	25-46
25.5.1	General	25-46
25.5.2	Description of Reset Operation	25-46
25.5.2.1	Reset	25-46
25.5.2.2	CRSRX	25-46
25.5.2.3	CRSTX	25-46
25.5.2.4	CRSES	25-46
25.6	Interrupts	25-47
25.6.1	Description of Interrupt Operation	25-47
25.6.1.1	Processor Interrupt	25-47
25.7	Software Environment	25-47
25.7.1	General	25-47
25.7.2	Configuration	25-48
25.7.2.1	UART Mode	25-48
25.7.2.2	Modem8 Mode	25-50
25.7.2.3	Modem16 Mode	25-50
25.7.2.4	AC97 Mode	25-50
25.7.2.5	SIR Mode	25-51
25.7.2.6	MIR Mode	25-53
25.7.2.7	FIR Mode	25-54

Contents

Paragraph Number	Title	Page Number
25.7.3	Programming	25-55
25.7.3.1	MIR Mode	25-55
25.7.3.2	FIR Mode	25-55

Chapter 26 I²C Interface

26.1	Introduction	26-1
26.1.1	Block Diagram	26-1
26.1.2	I2C Overview	26-2
26.1.3	Features	26-2
26.2	External Signals	26-2
26.2.1	Signal Description	26-2
26.3	Memory Map/Register Definition	26-3
26.3.1	I2C Register Map	26-3
26.3.2	Register Descriptions	26-3
26.3.2.1	I ² C Address Register (I2AR)	26-3
26.3.2.2	I ² C Frequency Divider Register (I2FDR)	26-4
26.3.2.3	I ² C Control Register (I2ICR)	26-5
26.3.2.4	I ² C Status Register (I2SR)	26-7
26.3.2.5	I ² C Data I/O Register (I2DR)	26-8
26.3.2.6	Interrupt Control Register (I2ICR)	26-9
26.4	Functional Description	26-10
26.4.1	START Signal	26-10
26.4.2	Slave Address Transmission	26-10
26.4.3	STOP Signal	26-11
26.4.4	Data Transfer	26-11
26.4.5	Acknowledge	26-11
26.4.6	Repeated Start	26-12
26.4.7	Clock Synchronization and Arbitration	26-13
26.4.8	Handshaking and Clock Stretching	26-14
26.5	Initialization Sequence	26-14
26.5.1	Transfer Initiation and Interrupt	26-15
26.5.2	Post-Transfer Software Response	26-15
26.5.3	Generation of STOP	26-16
26.5.4	Generation of Repeated START	26-18
26.5.5	Slave Mode	26-18
26.5.6	Arbitration Lost	26-20
26.5.7	Flow Control	26-20

Contents

Paragraph Number	Title	Page Number
Chapter 27		
DMA Serial Peripheral Interface (DSPI)		
27.1	Overview	27-1
27.2	Features	27-1
27.3	Block Diagram	27-2
27.4	Modes of Operation	27-2
27.4.1	Master Mode	27-2
27.4.2	Slave Mode	27-2
27.5	Signal Description	27-3
27.5.1	Overview	27-3
27.5.2	Detailed Signal Descriptions	27-4
27.5.2.1	DSPI Peripheral Chip Select/Slave Select (DSPICS0/SS)	27-4
27.5.2.2	DSPI Peripheral Chip Selects 2–3 (DSPICS[2:3])	27-4
27.5.2.3	DSPI Peripheral Chip Select 5/Peripheral Chip Select Strobe (DSPICS5/PCSS)	27-4
27.5.2.4	DSPI Serial Input (DSPISIN)	27-4
27.5.2.5	DSPI Serial Output (DSPISOUT)	27-4
27.5.2.6	DSPI Serial Clock (DSPISCK)	27-4
27.6	Memory Map and Registers	27-5
27.6.1	DSPI Module Configuration Register (DMCR)	27-5
27.6.2	DSPI Transfer Count Register (DTCR)	27-8
27.6.3	DSPI Clock and Transfer Attributes Registers 0–7 (DCTARn)	27-8
27.6.4	DSPI Status Register (DSR)	27-13
27.6.5	DSPI DMA/Interrupt Request Select Register (DIRSR)	27-15
27.6.6	DSPI Tx FIFO Register (DTFR)	27-17
27.6.7	DSPI Rx FIFO Register (DRFR)	27-18
27.6.8	DSPI Tx FIFO Debug Registers 0–3 (DTFDRn)	27-19
27.6.9	DSPI Rx FIFO Debug Registers 0–3 (DRFDRn)	27-20
27.7	Functional Description	27-20
27.7.1	Start and Stop of DSPI Transfers	27-21
27.7.2	Serial Peripheral Interface (SPI)	27-22
27.7.2.1	Master Mode	27-22
27.7.2.2	Slave Mode	27-22
27.7.2.3	FIFO Disable Operation	27-23
27.7.2.4	Tx FIFO Buffering Mechanism	27-23
27.7.2.5	Rx FIFO Buffering Mechanism	27-24
27.7.3	DSPI Baud Rate and Clock Delay Generation	27-24
27.7.3.1	Baud Rate Generator	27-25
27.7.3.2	CS to SCK Delay (tCSC)	27-25
27.7.3.3	After DSPISCK Delay (tASC)	27-25
27.7.3.4	Delay after Transfer (tDT)	27-26

Contents

Paragraph Number	Title	Page Number
27.7.3.5	Peripheral Chip Select Strobe Enable (PCSS)	27-26
27.7.4	Transfer Formats	27-27
27.7.4.1	Classic SPI Transfer Format (CPHA = 0)	27-28
27.7.4.2	Classic SPI Transfer Format (CPHA = 1)	27-28
27.7.4.3	Modified SPI Transfer Format (MTFE = 1, CPHA = 0)	27-29
27.7.4.4	Modified SPI Transfer Format (MTFE = 1, CPHA = 1)	27-30
27.7.4.5	Continuous Selection Format	27-31
27.7.5	Continuous Serial Communications Clock	27-32
27.7.6	Interrupts/DMA Requests	27-33
27.7.6.1	End of Queue Interrupt Request	27-34
27.7.6.2	Transmit FIFO Fill Interrupt or DMA Request	27-34
27.7.6.3	Transfer Complete Interrupt Request	27-34
27.7.6.4	Transmit FIFO Underflow Interrupt Request	27-34
27.7.6.5	Receive FIFO Drain Interrupt or DMA Request	27-34
27.7.6.6	Receive FIFO Overflow Interrupt Request	27-34
27.8	Initialization and Application Information	27-35
27.8.1	How to Change Queues	27-35
27.8.2	Baud Rate Settings	27-35
27.8.3	Delay Settings	27-36
27.8.4	Calculation of FIFO Pointer Addresses	27-37
27.8.4.1	Address Calculation for the First-in Entry and Last-in Entry in the Tx FIFO ...	27-38
27.8.4.2	Address Calculation for the First-in Entry and Last-in Entry in the Rx FIFO ...	27-38

Chapter 28 USB 2.0 Device Controller

28.1	Introduction	28-1
28.1.1	Overview	28-1
28.1.2	Features	28-2
28.1.3	Block Diagram	28-3
28.1.3.1	Controller and Synchronization	28-3
28.1.3.2	Descriptor RAM	28-4
28.1.3.3	FIFO Controller	28-4
28.1.3.4	FIFO RAM Manager	28-4
28.1.3.5	Integrated USB 2.0 Transceiver	28-4
28.2	Memory Map/Register Definition	28-5
28.2.1	USB Memory Map	28-5
28.2.2	USB Request, Control, and Status Registers	28-10
28.2.2.1	USB Status Register (USBSR)	28-10
28.2.2.2	USB Control Register (USBCR)	28-11
28.2.2.3	USB Descriptor RAM Control Register (DRAMCR)	28-13

Contents

Paragraph Number	Title	Page Number
28.2.2.4	USB Descriptor RAM Data Register (DRAMDR)	28-15
28.2.2.5	USB Interrupt Status Register (USBISR)	28-15
28.2.2.6	USB Interrupt Mask Register (USBIMR)	28-17
28.2.2.7	USB Application Interrupt Status Register (USBAISR)	28-18
28.2.2.8	USB Application Interrupt Mask Register (USBAIMR)	28-20
28.2.2.9	Endpoint Info Register (EPINFO)	28-20
28.2.2.10	USB Configuration Value Register (CFGR)	28-21
28.2.2.11	USB Configuration Attribute Register (CFGAR)	28-22
28.2.2.12	USB Device Speed Register (SPEEDR)	28-22
28.2.2.13	USB Frame Number Register (FRMNUMR)	28-23
28.2.2.14	USB Endpoint Transaction Number Register (EPTNR)	28-23
28.2.2.15	USB Application Interface Update Register (IFUR)	28-24
28.2.2.16	USB Configuration Interface Register (IFRn)	28-25
28.2.3	USB Counter Registers	28-25
28.2.3.1	USB Packet Passed Count Register (PPCNT)	28-25
28.2.3.2	USB Dropped Packet Counter Register (DPCNT)	28-26
28.2.3.3	USB CRC Error Counter Register (CRCECNT)	28-26
28.2.3.4	USB Bitstuffing Error Counter Register (BSECNT)	28-27
28.2.3.5	USB PID Error Counter Register (PIDECNT)	28-27
28.2.3.6	USB Framing Error Counter Register (FRMECNT)	28-27
28.2.3.7	USB Transmitted Packet Counter Register (TXPCNT)	28-28
28.2.3.8	USB Counter Overflow Register (CNTOVR)	28-28
28.2.4	Endpoint Context Registers	28-29
28.2.4.1	Endpoint n Attribute Control Register (EP0ACR, EPnOUTACR, EPnINACR)	28-29
28.2.4.2	Endpoint n Max Packet Size Register (EP0MPSR, EPnOUTMPSR, EPnINMPSR) .. 28-30	28-30
28.2.4.3	Endpoint n Interface Number Register (EP0IFR, EPnOUTIFR, EPnINIFR)	28-31
28.2.4.4	Endpoint n Status Register (EP0SR, EPnOUTSR, EPnINSR)	28-32
28.2.4.5	bmRequest Type Register (BMRTR)	28-34
28.2.4.6	bRequest Type Register (BRTR)	28-34
28.2.4.7	wValue Register (WVALUER)	28-35
28.2.4.8	wIndex Register (WINDEXR)	28-35
28.2.4.9	wLength Register (WLENGTHR)	28-36
28.2.4.10	Endpoint n Sync Frame Register (EPnOUTSFR, EPnINSFR)	28-36
28.2.5	USB Endpoint FIFO Registers	28-37
28.2.5.1	USB Endpoint n Status and Control Register (EPnSTAT)	28-37
28.2.5.2	USB Endpoint n Interrupt Status Register (EPnISR)	28-38
28.2.5.3	USB Endpoint n Interrupt Mask Register (EPnIMR)	28-40
28.2.5.4	USB Endpoint n FIFO RAM Configuration Register (EPnFRCFGR)	28-41

Contents

Paragraph Number	Title	Page Number
28.2.5.5	USB Endpoint n FIFO Data Register (EPnFDR)	28-42
28.2.5.6	USB Endpoint n FIFO Status Register (EPnFSR)	28-43
28.2.5.7	USB Endpoint n FIFO Control Register (EPnFCR)	28-45
28.2.5.8	USB Endpoint n FIFO Alarm Register (EPnFAR)	28-47
28.2.5.9	USB Endpoint n FIFO Read Pointer (EPnFRP)	28-48
28.2.5.10	USB Endpoint n FIFO Write Pointer (EPnFWP)	28-48
28.2.5.11	USB Endpoint n Last Read Frame Pointer (EPnLRFP)	28-49
28.2.5.12	USB Endpoint n Last Write Frame Pointer (EPnLWFP)	28-50
28.3	Functional Description	28-50
28.3.1	Interrupts	28-50
28.4	Software Interface	28-50
28.4.1	Device Initialization	28-50
28.4.1.1	USB Descriptor Download	28-51
28.4.1.2	USB Interrupt Register	28-52
28.4.1.3	Endpoint Registers	28-52
28.4.1.4	FIFO Sizes	28-53
28.4.1.5	Enable the Device	28-53
28.4.2	Exception Handling	28-53
28.4.2.1	Unable to Fill or Empty FIFO Due to Temporary Problem	28-53
28.4.2.2	Catastrophic Error	28-53
28.4.3	Data Transfer Operations	28-53
28.4.3.1	USB Packets	28-54
28.4.3.2	Sending Packets	28-54
28.4.3.3	Receiving Packets	28-54
28.4.3.4	USB Transfers	28-55
28.4.3.5	Control Transfers	28-56
28.4.3.6	Bulk Traffic	28-57
28.4.3.7	Interrupt Traffic	28-57
28.4.3.8	Isochronous Operations	28-57

Chapter 29 Fast Ethernet Controller (FEC)

29.1	Introduction	29-1
29.1.1	MCF547X Family Products	29-1
29.1.2	Block Diagram	29-1
29.1.3	Overview	29-2
29.1.4	Features	29-3

Contents

Paragraph Number	Title	Page Number
29.1.5	Modes of Operation	29-3
29.1.5.1	Full and Half Duplex Operation	29-3
29.1.5.2	Interface Options	29-3
29.1.5.3	Address Recognition Options	29-4
29.1.5.4	Internal Loopback	29-4
29.2	External Signals	29-4
29.2.1	Transmit Clock (EnTXCLK)	29-4
29.2.2	Receive Clock (EnRXCLK)	29-4
29.2.3	Transmit Enable (EnTXEN)	29-4
29.2.4	Transmit Data[3:0] (EnTXD[3:0])	29-4
29.2.5	Transmit Error (EnTXER)	29-5
29.2.6	Receive Data Valid (EnRXDV)	29-5
29.2.7	Receive Data[3:0] (EnRXD[3:0])	29-5
29.2.8	Receive Error (EnRXER)	29-5
29.2.9	Carrier Sense (EnCRS)	29-5
29.2.10	Collision (EnCOL)	29-5
29.2.11	Management Data Clock (EnMDC)	29-5
29.2.12	Management Data (EnMDIO)	29-5
29.3	Memory Map/Register Definition	29-6
29.3.1	Top Level Module Memory Map	29-6
29.3.2	Detailed Memory Map (Control/Status Registers)	29-7
29.3.3	MIB Block Counters Memory Map	29-8
29.3.4	Register Descriptions	29-10
29.3.4.1	Ethernet Interrupt Event Register (EIR)	29-11
29.3.4.2	Interrupt Mask Register (EIMR)	29-12
29.3.4.3	Ethernet Control Register (ECR)	29-13
29.3.4.4	MII Management Frame Register (MMFR)	29-14
29.3.4.5	MII Speed Control Register (MSCR)	29-16
29.3.4.6	MIB Control Register (MIBC)	29-17
29.3.4.7	Receive Control Register (RCR)	29-18
29.3.4.8	Receive Hash Register (RHR)	29-19
29.3.4.9	Transmit Control Register (TCR)	29-20
29.3.4.10	Physical Address Low Register (PALR)	29-21
29.3.4.11	Physical Address High Register (PAHR)	29-22
29.3.4.12	Opcode/Pause Duration Register (OPD)	29-22
29.3.4.13	Individual Address Upper Register (IAUR)	29-23
29.3.4.14	Individual Address Lower Register (IALR)	29-24
29.3.4.15	Group Address Upper Register (GAUR)	29-25
29.3.4.16	Group Address Lower Register (GALR)	29-25
29.3.4.17	FEC Transmit FIFO Watermark Register (FECTFWR)	29-26
29.3.4.18	FEC Receive FIFO Data Register (FECRFDR)	29-27

Contents

Paragraph Number	Title	Page Number
29.3.4.19	FEC Receive FIFO Status Register (FECRFSR)	29-28
29.3.4.20	FEC Receive FIFO Control Register (FECRFCR)	29-30
29.3.4.21	FEC Receive FIFO Last Read Frame Pointer Register (FECRLRFP)	29-31
29.3.4.22	FEC Receive FIFO Last Write Frame Pointer Register (FECRLWFP)	29-32
29.3.4.23	FEC Receive FIFO Alarm Register (FECRFAR)	29-33
29.3.4.24	FEC Receive FIFO Read Pointer Register (FECRFRP)	29-34
29.3.4.25	FEC Receive FIFO Write Pointer Register (FECRFWP)	29-35
29.3.4.26	FEC Transmit FIFO Data Register (FECTFDR)	29-36
29.3.4.27	FEC Transmit FIFO Status Register (FECTFSR)	29-37
29.3.4.28	FEC Transmit FIFO Control Register (FECTFCR)	29-39
29.3.4.29	FEC Transmit FIFO Last Read Frame Pointer Register (FECTLRFP)	29-40
29.3.4.30	FEC Transmit FIFO Last Write Frame Pointer Register (FECTLWFP)	29-41
29.3.4.31	FEC Transmit FIFO Alarm Register (FECTFAR)	29-42
29.3.4.32	FEC Transmit FIFO Read Pointer Register (FECTFRP)	29-43
29.3.4.33	FEC Transmit FIFO Write Pointer Register (FECTFWP)	29-44
29.3.4.34	FEC FIFO Reset Register (FECFRST)	29-45
29.3.4.35	FEC CRC and Transmit Frame Control Word Register (FECCTCWR)	29-46
29.4	Functional Description	29-47
29.4.1	Initialization Sequence	29-47
29.4.1.1	Hardware Controlled Initialization	29-47
29.4.1.2	User Initialization (Prior to Asserting ECR[ETHER_EN])	29-47
29.4.2	Frame Control/Status Words	29-48
29.4.2.1	Receive Frame Status Word (RFSW)	29-48
29.4.2.2	Transmit Frame Control Word (TFCW)	29-49
29.4.3	Network Interface Options	29-50
29.4.4	FEC Frame Transmission	29-51
29.4.5	FEC Frame Reception	29-51
29.4.6	Ethernet Address Recognition	29-52
29.4.7	Hash Algorithm	29-53
29.4.8	Full Duplex Flow Control	29-56
29.4.9	Inter-Packet Gap (IPG) Time	29-57
29.4.10	Collision Handling	29-57
29.4.11	Internal and External Loopback	29-57
29.4.12	Ethernet Error-Handling Procedure	29-58
29.4.12.1	Transmission Errors	29-58
29.4.12.2	Reception Errors	29-59
29.4.13	MII Data Frame	29-59
29.4.14	MII Management Frame Structure	29-60

Contents

Paragraph Number	Title	Page Number
Chapter 30		
Mechanical Data		
30.1	Package	30-1
30.2	Pinout	30-1
30.3	Mechanical Diagrams	30-8
30.3.1	MCF5475/5474 Mechanical Diagram	30-8
30.3.2	MCF5473/5472 Mechanical Diagram	30-12
30.4	MCF5471/5470 Mechanical Diagram	30-16
30.5	Mechanicals388-pin PBGA Package Outline	30-20
30.6	Case Drawing	30-21

Appendix A

MCF547x Memory Map

Figures

Figure Number	Title	Page Number
1-1	MCF547x Block Diagram	1-3
2-1	MCF547x Signals	2-2
3-1	ColdFire Enhanced Pipeline	3-3
3-2	ColdFire Multiply-Accumulate Functionality Diagram	3-5
3-3	ColdFire Programming Model	3-8
3-4	Condition Code Register (CCR)	3-9
3-5	EMAC Register Set	3-10
3-6	Floating-Point Programmer's Model	3-11
3-7	Status Register (SR)	3-12
3-8	Vector Base Register (VBR)	3-13
3-9	Organization of Integer Data Format in Data Registers	3-16
3-10	Organization of Integer Data Formats in Address Registers	3-16
3-11	Memory Operand Addressing	3-17
3-12	Two's Complement, Signed Fractional Equation	3-17
3-13	Floating-Point Data Formats	3-18
3-14	Mantissa	3-18
3-15	Exception Stack Frame	3-40
4-1	Multiply-Accumulate Functionality Diagram	4-1
4-2	Infinite Impulse Response (IIR) Filter	4-2
4-3	Four-Tap FIR Filter	4-2
4-4	Fractional Alignment	4-3
4-5	Signed and Unsigned Integer Alignment	4-4
4-6	EMAC Register Set	4-5
4-7	MAC Status Register (MACSR)	4-6
4-8	EMAC-Specific OEP Sequence Stall	4-12
4-9	Two's Complement, Signed Fractional Equation	4-13
5-1	CF4e Processor Core Block with MMU	5-3
5-2	Exception Stack Frame	5-8
5-3	MMU Base Address Register (MMUBAR)	5-11
5-4	MMU Control Register (MMUCR)	5-12
5-5	MMU Operation Register (MMUOR)	5-13
5-6	MMU Status Register (MMUSR)	5-15
5-7	MMU Fault, Test, or TLB Address Register (MMUAR)	5-16
5-8	MMU Read/Write TLB Tag Register (MMUTR)	5-17
5-9	MMU Read/Write TLB Data Register (MMUDR)	5-18
5-10	Address and Attributes Generation	5-21
5-11	Version 4 ColdFire MMU Harvard TLB	5-24
6-1	Floating-Point Data Formats	6-3
6-2	Mantissa	6-3
6-3	Normalized Number Format	6-4

Figures

Figure Number	Title	Page Number
6-4	Zero Format	6-4
6-5	Infinity Format	6-4
6-6	Not-a-Number Format	6-5
6-7	Denormalized Number Format	6-5
6-8	Floating-Point Programmer's Model	6-7
6-9	Floating-Point Control Register (FPCR)	6-8
6-10	Floating-Point Status Register (FPSR)	6-9
6-11	Intermediate Result Format	6-11
6-12	Rounding Algorithm Flowchart.....	6-13
6-13	Floating-Point State Frame Contents.....	6-24
7-1	SRAM Base Address Registers (RAMBARn)	7-3
7-2	Data Cache Organization	7-7
7-3	Data Cache Organization and Line Format	7-8
7-4	Data Cache—A: at Reset, B: after Invalidation, C and D: Loading Pattern.....	7-9
7-5	Data Caching Operation.....	7-10
7-6	Write-Miss in Copyback Mode.....	7-14
7-7	Data Cache Locking.....	7-18
7-8	Cache Control Register (CACR)	7-19
7-9	Access Control Register Format (ACRn)	7-23
7-10	An Format (Data Cache).....	7-24
7-11	An Format (Instruction Cache)	7-25
7-12	Instruction Cache Line State Diagram.....	7-27
7-13	Data Cache Line State Diagram—Copyback Mode	7-28
7-14	Data Cache Line State Diagram—Write-Through Mode	7-28
8-1	Processor/Debug Module Interface	8-1
8-2	PSTCLK Timing.....	8-3
8-3	PSTDDATA: Single-Cycle Instruction Timing	8-4
8-4	Example JMP Instruction Output on PSTDDATA.....	8-7
8-5	Debug Programming Model	8-9
8-6	Address Attribute Trigger Registers (AATR, AATR1).....	8-12
8-7	Address Breakpoint Registers (ABLR, ABHR, ABLR1, ABHR1)	8-14
8-8	BDM Address Attribute Register (BAAR).....	8-15
8-9	Configuration/Status Register (CSR).....	8-16
8-10	Data Breakpoint Registers (DBR/DBR1)	8-19
8-11	Data Breakpoint Mask Registers (DBMR/DBMR1)	8-19
8-12	Program Counter Breakpoint Registers (PBR, PBR1, PBR2, PBR3)	8-21
8-13	Program Counter Breakpoint Mask Register (PBMR)	8-22
8-14	Trigger Definition Register (TDR)	8-23
8-15	Extended Trigger Definition Register (XTDR)	8-25
8-16	PC Breakpoint ASID Control Register (PBAC).....	8-28

Figures

Figure Number	Title	Page Number
8-17	PC Breakpoint ASID Register (PBASID)	8-29
8-18	Maximum BDM Serial Interface Timing	8-32
8-19	Receive BDM Packet.....	8-33
8-20	Transmit BDM Packet	8-33
8-21	BDM Command Format	8-35
8-22	Command Sequence Diagram	8-36
8-23	RAREG/RDREG Command Format	8-37
8-24	RAREG/RDREG Command Sequence.....	8-37
8-25	WAREG/WDREG Command Format.....	8-38
8-26	WAREG/WDREG Command Sequence.....	8-38
8-27	READ Command/Result Formats.....	8-39
8-28	READ Command Sequence.....	8-39
8-29	WRITE Command Format	8-40
8-30	WRITE Command Sequence	8-41
8-31	DUMP Command/Result Formats	8-42
8-32	DUMP Command Sequence	8-42
8-33	FILL Command Format.....	8-43
8-34	FILL Command Sequence.....	8-44
8-35	GO Command Format.....	8-44
8-36	GO Command Sequence.....	8-44
8-37	NOP Command Format.....	8-45
8-38	NOP Command Sequence	8-45
8-39	SYNC_PC Command Format.....	8-46
8-40	SYNC_PC Command Sequence	8-46
8-41	force_ta Command.....	8-46
8-42	force_ta Command Sequence	8-47
8-43	RCREG Command/Result Formats.....	8-47
8-44	RCREG Command Sequence.....	8-47
8-45	WCREG Command/Result Formats.....	8-51
8-46	WCREG Command Sequence.....	8-51
8-47	RDMREG BDM Command/Result Formats	8-52
8-48	RDMREG Command Sequence.....	8-52
8-49	WDMREG BDM Command Format.....	8-52
8-50	WDMREG Command Sequence	8-53
8-51	Recommended BDM Connector.....	8-66
9-1	Module Base Address Register (MBAR)	9-3
9-2	System Breakpoint Control Register (SBCR)	9-3
9-3	SEC Sequential Access Control Register (SECSACR).....	9-4
9-4	Reset Status Register (RSR)	9-5
9-5	JTAG Device ID Register (JTAGID)	9-6

Figures

Figure Number	Title	Page Number
10-1	MCF547x Internal Bus Architecture	10-2
10-2	CLKIN, Internal Bus, and Core Clock Ratios	10-3
10-3	Address and Data Tenures	10-4
10-4	Arbiter Configuration Register (XARB_CFG).....	10-8
10-5	Arbiter Version Register (XARB_VER).....	10-10
10-6	Arbiter Status Register (XARB_SR).....	10-10
10-7	Arbiter Interrupt Mask Register (XARB_IMR)	10-12
10-8	Arbiter Address Capture Register (XARB_ADRCAP).....	10-13
10-9	Arbiter Bus Signal Capture Register (XARB_SIGCAP)	10-14
10-10	Arbiter Address Tenure Time Out Register (XARB_ADRTO)	10-15
10-11	Arbiter Data Tenure Time Out Register (XARB_DATTO).....	10-15
10-12	Arbiter Bus Activity Time Out Register (XARB_BUSTO).....	10-16
10-13	Arbiter Master Priority Enable Register (XARB_PRIEN).....	10-17
10-14	Arbiter Master Priority Register (XARB_PRI)	10-18
11-1	GPT Enable and Mode Select Register (GMSn)	11-3
11-2	GPT Counter Input Register (GCIRn).....	11-6
11-3	GPT PWM Configuration Register (GPWMn)	11-7
11-4	GPT Status Register (GSRn)	11-8
12-1	SLT Terminal Count Register (STCNTn)	12-2
12-2	SLT Control Register (SCRn).....	12-2
12-3	SLT Count Register (SCNTn)	12-3
12-4	SLT Status Register (SSRn)	12-4
13-1	Interrupt Pending Register High (IPRH)	13-6
13-2	Interrupt Pending Register Low (IPRL)	13-7
13-3	Interrupt Mask Register High (IMRH)	13-8
13-4	Interrupt Mask Register Low (IMRL)	13-9
13-5	Interrupt Force Register High (INTFRCH)	13-10
13-6	Interrupt Force Register Low (INTFRCL)	13-10
13-7	Interrupt Request Level Register (IRLR)	13-11
13-8	IACK Level and Priority Register (IACKLPR)	13-12
13-9	Interrupt Control Registers 1–63 (ICRn).....	13-12
13-10	Software and Level n IACK Registers (SWIACKR, LIACK–L7IACK).....	13-15
14-1	EPORT Block Diagram	14-1
14-2	EPORT Pin Assignment Register (EPPAR).....	14-3
14-3	EPORT Data Direction Register (EPDDR).....	14-3
14-4	EPORT Port Interrupt Enable Register (EPIER).....	14-4
14-5	EPORT Port Data Register (EPDR)	14-4
14-6	EPORT Port Pin Data Register (EPPDR).....	14-5
14-7	EPORT Port Flag Register (EPFR)	14-5
15-1	MCF547x GPIO Module Block Diagram.....	15-2

Figures

Figure Number	Title	Page Number
15-2	8-Bit Port Output Data Registers (PODR_x).....	15-10
15-3	7-Bit PODR_DSPI Register (PODR_x).....	15-10
15-4	5-Bit PODR_PCIBG and PODR_PCIBR Registers.....	15-11
15-5	4-Bit PODR_DMA and PODR_FECI2C Registers.....	15-12
15-6	5-Bit PODR_FBCS Register.....	15-12
15-7	8-Bit Port Data Direction Registers.....	15-13
15-8	7-Bit PDDR_DSPI Data Direction Register.....	15-14
15-9	5-Bit PDDR_PCIBG and PDDR_PCIBR Registers.....	15-14
15-10	4-Bit PDDR_DMA and PDDR_FECI2C Registers.....	15-15
15-11	5-Bit PDDR_FBCS Register.....	15-15
15-12	8-Bit Port Pin Data / Set Data Registers.....	15-16
15-13	7-Bit Port Pin Data / Set Data Registers.....	15-17
15-14	5-Bit PPDSDR_PCIBG and PPDSDR_PCIBR Registers.....	15-17
15-15	4-Bit PPDSDR_DMA and PPDSDR_FECI2C Registers.....	15-18
15-16	5-Bit PPDSDR_FBCS Register.....	15-19
15-17	8-Bit Port Clear Output Data Registers.....	15-20
15-18	7-Bit Port Clear Output Data DSPI Register.....	15-20
15-19	5-Bit PCIBG and PCIBR Clear Output Data Register.....	15-21
15-20	4-Bit DMA and FECI2C Clear Output Data Registers.....	15-21
15-21	5-Bit FlexBus Clear Output Data Register.....	15-22
15-22	FlexBus Control Pin Assignment Register (PAR_FBCTL).....	15-22
15-23	Flexbus Chip Select Pin Assignment Register (PAR_FBCS).....	15-24
15-24	DMA Pin Assignment Register (PAR_DMA).....	15-24
15-25	FEC/I2C/IRQ Pin Assignment Register (PAR_FECI2CIRQ).....	15-25
15-26	PCI Grant Pin Assignment Register (PAR_PCIBG).....	15-27
15-27	PCI Request Pin Assignment Register (PAR_PCIBR).....	15-28
15-28	PSC3 Pin Assignment Register (PAR_PSC3).....	15-29
15-29	PSC2 Pin Assignment Register (PAR_PSC2).....	15-29
15-30	PSC1 Pin Assignment Register (PAR_PSC1).....	15-30
15-31	PSC0 Pin Assignment Register (PAR_PSC0).....	15-32
15-32	DSPI Pin Assignment Register (PAR_DSPI).....	15-33
15-33	General Purpose Timer Pin Assignment Register (PAR_TIMER).....	15-34
16-1	SRAM Organization.....	16-1
16-2	System SRAM Configuration Register (SSCR).....	16-3
16-3	Transfer Count Configuration Register (TCCR).....	16-4
16-4	Transfer Count Configuration Register—DMA Read Channel (TCCRDR).....	16-5
16-5	Transfer Count Configuration Register—DMA Write Channel (TCCRWD).....	16-6
16-6	Transfer Count Configuration Register—SEC (TCCRSEC).....	16-7
16-7	SRAM Arbitration.....	16-9
17-1	Connections for External Memory Port Sizes.....	17-2

Figures

Figure Number	Title	Page Number
17-2	Multiplexed FlexBus Implementation	17-3
17-3	Chip-Select Address Registers (CSARn)	17-8
17-4	Chip-Select Mask Registers (CSMRn)	17-9
17-5	Chip-Select Control Registers (CSCRn).....	17-10
17-6	Connections for External Memory Port Sizes	17-13
17-7	Data Transfer State Transition Diagram	17-14
17-8	Read Cycle Flowchart.....	17-15
17-9	Basic Read Bus Cycle.....	17-16
17-10	Write Cycle Flowchart.....	17-17
17-11	Basic Write Bus Cycle	17-17
17-12	Single Word Read Transfer with Muxed 32-A / 16-D or Non-Muxed 16-A / 16-D	17-18
17-13	Single Word Write Transfer with Muxed 32-A / 16-D or Non-Muxed 16-A / 16-D	17-19
17-14	Single Byte Read Transfer with Muxed 32-A / 8-D or Non-Muxed 24-A / 8-D.....	17-20
17-15	Single Byte Write Transfer with Muxed 32-A / 8-D or Non-Muxed 24-A / 8-D.....	17-21
17-16	Longword Read Transfer with Muxed 32-A / 32-D	17-22
17-17	Longword Write Transfer with Muxed 32-A / 32-D	17-22
17-18	Basic Read Bus Cycle (No Wait States).....	17-23
17-19	Basic Write Bus Cycle (No Wait States).....	17-24
17-20	Read Bus Cycle (One Wait State).....	17-24
17-21	Write Bus Cycle (One Wait State).....	17-25
17-22	Read Bus Cycle with Two Clock Address Setup (No Wait States).....	17-25
17-23	Write Bus Cycle with Two Clock Address Setup (No Wait States).....	17-26
17-24	Read Cycle with Two Clock Address Hold (No Wait States).....	17-26
17-25	Write Cycle with Two Clock Address Hold (No Wait States)	17-27
17-26	Write Cycle with Two Clock Address Setup and Two Clock Hold (One Wait State)	17-27
17-27	Longword Read Burst from 8-Bit Port 3-1-1-1 (No Wait States)	17-28
17-28	Longword Write Burst to 8-Bit Port 3-1-1-1 (No Wait States)	17-29
17-29	Longword Read Burst-Inhibited from 8-Bit Port (No Wait States).....	17-29
17-30	Longword Write Burst-Inhibited to 8-Bit Port (No Wait States)	17-30
17-31	Longword Read Burst from 8-Bit Port 4-2-2-2 (One Wait State)	17-30
17-32	Longword Write Burst to 8-Bit Port 4-2-2-2 (One Wait State).....	17-31
17-33	Longword Read Burst from 8-Bit Port 4-1-1-1 (Address Setup and Hold).....	17-31
17-34	Longword Write Burst to 8-Bit Port 4-1-1-1 (Address Setup and Hold)	17-32
17-35	Example of a Misaligned Longword Transfer (32-Bit Port)	17-32
17-36	Example of a Misaligned Word Transfer (32-Bit Port).....	17-33
18-1	SDRAM Controller Block Diagram	18-2
18-2	MCF547x Connections to SDR SDRAM.....	18-7
18-3	MCF547X Connections to DDR SDRAM	18-8
18-4	MCF547X Connections to 100-pin DDR SDRAM DIMM.....	18-9
18-5	MCF547x DDR SDRAM Termination Circuit	18-10

Figures

Figure Number	Title	Page Number
18-6	Mode Register.....	18-13
18-7	Extended Mode Register.....	18-13
18-8	SDRAM Drive Strength Register (SDRAMDS)	18-18
18-9	SRAM Chip Select Configuration Register (CSnCFG)	18-19
18-10	SDRAM Mode/Extended Mode Register (SDMR).....	18-21
18-11	SDRAM Control Register (SDCR).....	18-22
18-12	SDRAM Configuration Register 1 (SDCFG1).....	18-24
18-13	SDRAM Configuration Register 2 (SDCFG2).....	18-26
18-14	SDRAM Example Drive Strength Settings (SDRAMDS)	18-27
18-15	SDRAM Example Chip Select 0 Configuration Settings (CS0CFG).....	18-28
18-16	SDRAM Example Configuration Register 1 Settings (SDCFG1).....	18-28
18-17	SDRAM Example Configuration Register 2 Settings (SDCFG2).....	18-30
18-18	SDRAM Control Register Settings + MODE_EN and IPALL	18-30
18-19	SDRAM Mode/Extended Mode Register Settings (SDMR).....	18-31
18-20	SDRAM Mode/Extended Mode Register Settings (SDMR).....	18-32
18-21	SDRAM Control Register Settings + MODE_EN and IPALL	18-33
18-22	SDRAM Control Register Settings + MODE_EN and IREF	18-34
18-23	SDRAM Mode/Extended Mode Register Settings	18-35
18-24	SDRAM Control Register Settings + REF	18-36
19-1	PCI Block Diagram.....	19-1
19-2	Device ID/Vendor ID Register (PCIIDR)	19-7
19-3	PCI Status/Command Register (PCISCR).....	19-8
19-4	Revision ID/Class Code Register (PCICCRIR).....	19-10
19-5	Configuration 1 Register (PCICR1)	19-11
19-6	Base Address Register 0 (PCIBAR0)	19-12
19-7	Base Address Register 1 (PCIBAR1)	19-13
19-8	Configuration 2 Register (PCICR2)	19-14
19-9	Global Status/Control Register (PCIGSCR).....	19-16
19-10	Target Base Address Translation Register 0 (PCITBATR0).....	19-17
19-11	Target Base Address Translation Register 1 (PCITBATR1).....	19-18
19-12	Target Control Register (PCITCR).....	19-19
19-13	Initiator Window 0 Base/Translation Address Register (PCIW0BTAR).....	19-20
19-14	Initiator Window 1 Base/Translation Address Register (PCIW1BTAR).....	19-21
19-15	Initiator Window 2 Base/Translation Address Register (PCIW2BTAR).....	19-21
19-16	Initiator Window Configuration Register (PCIWCR).....	19-22
19-17	Initiator Control Register (PCIICR)	19-23
19-18	Initiator Status Register (PCIISR)	19-24
19-19	Configuration Address Register (PCICAR)	19-25
19-20	Tx Packet Size Register (PCITPSR).....	19-26
19-21	Tx Start Address Register (PCITSAR).....	19-27

Figures

Figure Number	Title	Page Number
19-22	Tx Transaction Control Register (PCITTCR)	19-28
19-23	Tx Enables Register (PCITER).....	19-29
19-24	Tx Next Address Register (PCITNAR)	19-31
19-25	Tx Last Word Register (PCITLWR)	19-31
19-26	Tx Done Counts Register (PCITDCR)	19-32
19-27	Tx Status Register (PCITSR).....	19-33
19-28	Tx FIFO Data Register (PCITFDR)	19-34
19-29	Tx FIFO Status Register (PCITFSR).....	19-35
19-30	Tx FIFO Control Register (PCITFCR).....	19-36
19-31	Tx FIFO Alarm Register (PCITFAR).....	19-38
19-32	Tx FIFO Read Pointer Register (PCITFRPR)	19-39
19-33	Tx FIFO Write Pointer Register (PCITFWPR)	19-39
19-34	Rx Packet Size Register (PCIRPSR)	19-40
19-35	Rx Start Address Register (PCIRSAR)	19-41
19-36	Rx Transaction Control Register (PCIRTCR).....	19-41
19-37	Rx Enables Register (PCIRER)	19-43
19-38	Rx Next Address Register (PCIRNAR).....	19-45
19-39	Rx Done Counts Register (PCIRDCCR).....	19-45
19-40	Rx Status Register (PCIRSR)	19-46
19-41	Rx FIFO Data Register (PCIRFDR).....	19-48
19-42	Rx FIFO Status Register (PCIRFSR)	19-49
19-43	Rx FIFO Control Register (PCIRFCR)	19-50
19-44	Rx FIFO Alarm Register (PCIRFAR)	19-51
19-45	Rx FIFO Read Pointer Register (PCIRFRPR).....	19-52
19-46	Rx FIFO Write Pointer Register (PCIRFWPR).....	19-53
19-47	PCI Read Terminated by Master	19-55
19-48	PCI Write Terminated by Target	19-56
19-49	Type 0 Configuration Transaction: Contents of the AD Bus During Address Phase.....	19-59
19-50	Type 1 Configuration Transaction: Contents of the AD Bus During Address Phase.....	19-59
19-51	PCI-to-PCI Bridge Determining Match to Secondary or Subordinate Bus	19-60
19-52	Initiator Arbitration Block Diagram	19-61
19-53	Type 0 Configuration Translation.....	19-65
19-54	Inbound Address Map.....	19-78
19-55	Outbound Address Map	19-79
20-1	PCI Arbiter Interface Diagram	20-1
20-2	PCI Arbiter Control Register (PACR).....	20-3
20-3	PCI Arbiter Status Register (PASR).....	20-5
20-4	PCI Arbitration Initial State.....	20-7
20-5	Alternating Priority	20-8
20-6	Higher Priority Override	20-9

Figures

Figure Number	Title	Page Number
21-1	SEC Block Diagram.....	21-2
21-2	DES Encryption Process.....	21-5
21-3	Triple-DES Encryption Process (ECB Mode).....	21-5
21-4	RC4 Encryption Process.....	21-6
21-5	AES Encryption Process.....	21-6
21-6	MDEU Hashing Process.....	21-8
21-7	EU Assignment Control Register (EUACR).....	21-13
21-8	EU Assignment Status Register (EUASR).....	21-14
21-9	SEC Interrupt Mask, Status, and Control Registers (SIMR, SISR, and SICR).....	21-16
21-10	ID Register (SIDR).....	21-18
21-11	SEC Master Control Register (SMCR).....	21-18
21-12	Master Error Address Register (MEAR).....	21-19
21-13	Crypto-Channel Configuration Register (CCCRn).....	21-21
21-14	Crypto-Channel Pointer Status Register (CCPSRn).....	21-23
21-15	Crypto-Channel Current Descriptor Pointer Register (CDPRn).....	21-28
21-16	Fetch Register (FRn).....	21-29
21-17	AFEU Reset Control Register (AFRCR).....	21-30
21-18	AFEU Status Register (AFSR).....	21-31
21-19	AFEU Interrupt Status Register (AFISR).....	21-33
21-20	AFEU Interrupt Mask Register (AFIMR).....	21-35
21-21	DEU Reset Control Register (DRCR).....	21-37
21-22	DEU Status Register (DSR).....	21-38
21-23	DEU Interrupt Status Register (DISR).....	21-39
21-24	DEU Interrupt Mask Register (DIMR).....	21-41
21-25	MDEU Reset Control Register (MDRCR).....	21-43
21-26	MDEU Atatus Register (MDSR).....	21-44
21-27	MDEU Interrupt Status Register (MDISR).....	21-46
21-28	RNG Reset Control Register (RNGRCR).....	21-50
21-29	RNG Interrupt Status Register (RNGISR).....	21-52
21-30	AESU Reset Control Register (AESRCR).....	21-54
21-31	AESU Status Register (AESSR).....	21-55
21-32	AESU Interrupt Status Register (AESISR).....	21-57
21-33	AESU Interrupt Mask Register (AESIMR).....	21-59
21-34	Data Packet Descriptor Format.....	21-61
21-35	Descriptor Header.....	21-61
21-36	Descriptor Data Packet Length Field.....	21-64
21-37	Descriptor Data Packet Pointer Field.....	21-64
21-38	Next Descriptor Pointer Field.....	21-65
21-39	Chain of Descriptors.....	21-66
21-40	Dynamic Descriptor Example.....	21-68

Figures

Figure Number	Title	Page Number
21-41	First Static Descriptor Example	21-69
21-42	Middle Static Descriptor Example.....	21-70
21-43	Final Static Descriptor Example	21-70
21-44	AFEU Mode Options	21-71
21-45	Descriptor for a Dynamically Assigned AFEU Using a Key	21-72
21-46	Descriptor for a Dynamically Assigned AFEU Using Context.....	21-73
21-47	First Descriptor for a Statically Assigned AFEU Using a Key	21-74
21-48	First Descriptor for a Statically Assigned AFEU Using a Context	21-74
21-49	Middle Descriptor for a Statically Assigned AFEU	21-75
21-50	Final Descriptor for a Statically Assigned AFEU	21-75
21-51	DEU Mode Options	21-76
21-52	Descriptor for a Dynamically Assigned DEU	21-77
21-53	First Descriptor for a Statically Assigned DEU.....	21-78
21-54	Middle Descriptor for a Statically Assigned DEU	21-79
21-55	Final Descriptor for a Statically Assigned DEU.....	21-80
21-56	MDEU Mode Options.....	21-81
21-57	Descriptor for a Dynamically Assigned MDEU.....	21-83
21-58	First Descriptor for a Statically Assigned MDEU	21-84
21-59	Middle Descriptor for a Statically Assigned MDEU.....	21-84
21-60	Final Descriptor for a Statically Assigned MDEU	21-85
21-61	RNG Descriptor Format.....	21-87
21-62	AESU Mode Options	21-87
21-63	Descriptor for a Dynamically Assigned AESU	21-88
21-64	First Descriptor for a Statically Assigned AESU	21-89
21-65	Middle Descriptor for a Statically Assigned AESU	21-90
21-66	Final Descriptor for a Statically Assigned AESU	21-91
21-67	Descriptor for a AES-CCM Encryption.....	21-92
21-68	Descriptor for a AES-CCM Decryption	21-93
21-69	Snooping Example.....	21-96
21-70	Descriptor for Dynamic Multi-Function Decryption.....	21-96
21-71	Descriptor for Dynamic Multi-Function Encryption	21-98
21-72	First Descriptor for Static Multi-Function Encryption/Decryption	21-100
21-73	Middle Descriptor for Multi-Function Encryption/Decryption	21-103
21-74	Final Descriptor for Multi-Function Encryption/Decryption	21-105
21-75	Outbound TLS Descriptor One Format	21-108
21-76	Outbound TLS Descriptor Two Format.....	21-109
21-77	Inbound TLS Descriptor One Format.....	21-109
21-78	Inbound TLS Descriptor Two Format	21-110
22-1	JTAG Block Diagram	22-2
22-2	JTAG IDCODE Register	22-5

Figures

Figure Number	Title	Page Number
22-3	TAP Controller State Machine Flow	22-7
23-1	DMA Block Diagram.....	23-1
23-2	DMA Programmer-Maintained Memory Model	23-5
23-3	Task Base Address Register (TaskBAR).....	23-7
23-4	Current Pointer Register (CP).....	23-7
23-5	End Pointer Register (EP).....	23-8
23-6	Variable Pointer Register (VP)	23-9
23-7	PTD Control Register (PTD).....	23-9
23-8	DMA Interrupt Pending Register (DIPR).....	23-10
23-9	DMA Interrupt Mask Register (DIMR).....	23-11
23-10	Task Control Register (TCRn).....	23-12
23-11	Priority Register	23-13
23-12	Initiator Mux Control Register (IMCR).....	23-14
23-13	Initiator Assignments.....	23-14
23-14	Task Size Register 0 (TSKSZ0).....	23-16
23-15	Task Size Register 1 (TSKSZ1).....	23-16
23-16	Debug Comparator Register (DBGCMPn).....	23-17
23-17	Debug Control Register (DBGCTL).....	23-18
23-18	Debug Status Register (DBGSTAT).....	23-20
23-19	PTD Debug Register (PTDDBG)	23-21
23-20	External Request Module Register Mapping.....	23-22
23-21	External Request Base Address Register.....	23-22
23-22	External Request Address Mask Register (EREQMASK).....	23-23
23-23	External Request Control Register (EREQCTRL)	23-23
23-24	Task Descriptor Table Format	23-31
23-25	Level-Triggered External Request Timing	23-33
23-26	Edge-Triggered External Request Timing.....	23-33
23-27	Pipelined External Requests	23-34
24-1	CTM High Level Block Diagram	24-1
24-2	Fixed Timer Channel Conceptual Block Diagram	24-2
24-3	Variable Timer Channel Conceptual Block Diagram.....	24-2
24-4	Comm Timer Configuration Register (CTCRn)—Fixed Timer Channel.....	24-4
24-5	Comm Timer Configuration Register (CTCRn)—Variable Timer Channel	24-6
24-6	Fixed Timer Channel in Task Initiator Mode	24-9
24-7	Variable Timer Channel in Initiator Mode	24-10
25-1	PSC/IrDA Block Diagram	25-1
25-2	PSC Mode Register 1 (PSCMR1n).....	25-5
25-3	PSC Mode Register 2 (PSCMR2n).....	25-7
25-4	PSC Status Register (PSCSRn).....	25-8
25-5	UART and SIR Baud Rate Clocking Sources	25-11

Figures

Figure Number	Title	Page Number
25-6	Clock Select Register (PSCCSRn)	25-11
25-7	PSCCSRn Field Descriptions	25-11
25-8	PSC Command Register (PSCCRn)	25-12
25-9	Receiver (PSCRBn) and Transmitter (PSCTBn) Buffer Register for UART, Modem 8, SIR, MIR, and FIR Modes	25-16
25-10	Receiver (PSCRBn) and Transmitter (PSCTBn) Buffer Register for Modem 16 Mode.....	25-16
25-11	Receiver (PSCRBn) and Transmitter (PSCTBn) Buffer Register for AC97 Mode	25-17
25-12	Input Port Change Register (PSCIPCRn)	25-18
25-13	Auxiliary Control Register (PSCACRn).....	25-19
25-14	Interrupt Status Register (PSCISRn)	25-20
25-15	Interrupt Mask Register (PSCIMRn).....	25-21
25-16	Counter Timer Upper Register (PSCCTURn).....	25-22
25-17	Output Port Bit Reset Register (PSCOPRESETn)	25-24
25-18	RxFIFO (PSCRFCNTn) and Tx FIFO (PSCTFCNTn) Counter Register	25-28
25-19	RxFIFO (PSCRFRn) and Tx FIFO (PSCTFRn) Data Register	25-29
25-20	RxFIFO (PSCRFSR) and Tx FIFO (PSCTFSR) Status Register	25-29
25-21	RxFIFO and Tx FIFO Control Register (PSCRFCRn, PSCTFCRn).....	25-32
25-22	RxFIFO (PSCRFAr) and Tx FIFO (PSCTFAr) Alarm Register	25-33
25-23	RxFIFO (PSCRFRPn) and Tx FIFO (PSCTFRPn) Read Pointer.....	25-34
25-24	RxFIFO (PSCRFWPn) and Tx FIFO (PSCTFWPn) Write Pointer	25-34
25-25	TxFIFO (PSCTLRFPn) and RxFIFO (PSCRRLRFPn) Last Read Frame Pointer.....	25-35
25-26	TxFIFO (PSCTLWFPn) and RxFIFO (PSCRRLWFPn) Last Write Frame Pointer	25-36
25-27	Character Format in UART Mode	25-36
25-28	Modem Control and Transmitter	25-37
25-29	Modem Control and Receiver.....	25-37
25-30	Waveform of Modem8 Mode	25-39
25-31	Waveform of Modem16 Mode	25-40
25-32	Waveform of AC97 Mode	25-40
25-33	An Example Connection to AC97 CODEC.....	25-40
25-34	AC97 Cold and Warm Reset	25-42
25-35	Data Format in SIR Mode.....	25-42
25-36	Data Format in MIR Mode	25-43
25-37	MIR Packet Format.....	25-43
25-38	Serial Interaction Pulse (SIP).....	25-43
25-39	Data Format in FIR Mode.....	25-44
25-40	FIR Mode Packet Format.....	25-44
25-41	Looping Modes Functional Diagram.....	25-45
26-1	I ² C Block Diagram.....	26-1
26-2	I ² C Address Register (I2ADR).....	26-3
26-3	I ² C Frequency Divider Register (I2FDR).....	26-4

Figures

Figure Number	Title	Page Number
26-4	I ² C Control Register (I2ICR).....	26-6
26-5	I ² C Status Register (I2SR).....	26-7
26-6	I ² C Data I/O Register (I2DR).....	26-8
26-7	Interrupt Control Register.....	26-9
26-8	Start, Address Transfer, and Stop Signal.....	26-10
26-9	Data Transfer.....	26-11
26-10	Acknowledgement by Receiver.....	26-12
26-11	Data Transfer, Combined Format.....	26-13
26-12	Arbitration Procedure.....	26-14
26-13	Clock Synchronization.....	26-14
26-14	Flow-Chart of Typical I2C Interrupt Routine.....	26-21
27-1	DSPI with Queues and DMA.....	27-2
27-2	DSPI Module Configuration Register (DMCR).....	27-6
27-3	DSPI Transfer Count Register (DTCR).....	27-8
27-4	DSPI Clock and Transfer Attributes Register (DCTARn).....	27-9
27-5	DSPI Status Register (DSR).....	27-13
27-6	DSPI DMA/Interrupt Request Select Register (DIRSR).....	27-16
27-7	DSPI Tx FIFO Register (DTFR).....	27-17
27-8	DSPI Rx FIFO Register (DRFR).....	27-19
27-9	DSPI Tx FIFO Debug Register (DTFDRn).....	27-19
27-10	DSPI Rx FIFO Debug Register (DRFDRx).....	27-20
27-11	SPI Serial Protocol Overview.....	27-21
27-12	DSPI Start and Stop State Diagram.....	27-21
27-13	Communications Clock Prescalers and Scalers.....	27-24
27-14	Peripheral Chip Select Strobe Timing.....	27-26
27-15	DSPI Transfer Timing Diagram (MTFE = 0, CPHA = 0, FMSZ = 8).....	27-28
27-16	DSPI Transfer Timing Diagram (MTFE = 0, CPHA = 1, FMSZ = 8).....	27-29
27-17	DSPI Modified Transfer Format (MTFE = 1, CPHA = 0, F _{sck} = F _{sys} /4).....	27-30
27-18	DSPI Modified Transfer Format (MTFE = 1, CPHA = 1, F _{sck} = F _{sys} /4).....	27-31
27-19	Example of Non-Continuous Format (CPHA = 1, CONT = 0).....	27-31
27-20	Example of Continuous Transfer (CPHA = 1, CONT = 1).....	27-32
27-21	Continuous DSPISCK Timing Diagram (CSCK = 0).....	27-33
27-22	Continuous DSPISCK Timing Diagram (CSCK = 1).....	27-33
27-23	Tx FIFO Pointers and Counter.....	27-38
28-1	USB 2.0 Device Controller Block Diagram.....	28-3
28-2	USB Status Register (USBSR).....	28-10
28-3	USB Control Register (USBCR).....	28-11
28-4	USB Descriptor RAM Control Register (DRAMCR).....	28-13
28-5	USB Descriptor RAM Data Register (DRAMDR).....	28-15
28-6	USB Interrupt Status Register (USBISR).....	28-16

Figures

Figure Number	Title	Page Number
28-7	USB Interrupt Mask Register (USBIMR)	28-17
28-8	USB Application Interrupt Status Register (USBAISR)	28-18
28-9	USB Application Interrupt Mask Register (USBAIMR).....	28-20
28-10	Endpoint Info Register (EPINFO)	28-21
28-11	USB Configuration Value Register (CFGR)	28-21
28-12	USB Configuration Attribute Register (CFGAR)	28-22
28-13	USB Device Speed Register (SPEEDR).....	28-22
28-14	USB Frame Number Register (FRMNUMR).....	28-23
28-15	Endpoint Transaction Number Register (EPTNR)	28-24
28-16	USB Application Interface Update Register (IFUR).....	28-24
28-17	USB Configuration Interface Register (IFRn).....	28-25
28-18	USB Packet Passed Count Register (PPCNT).....	28-25
28-19	USB Dropped Packet Counter Register (DPCNT)	28-26
28-20	USB CCR Error Counter Register (CRCECNT).....	28-26
28-21	USB Bitstuffing Error Counter Register (BSECNT).....	28-27
28-22	USB PID Error Counter Register (PIDECNT)	28-27
28-23	USB Framing Error Counter Register (FRMECNT).....	28-27
28-24	USB Transmitted Packet Counter Register (TXPCNT)	28-28
28-25	USB Counter Overflow Register (CNTOVR).....	28-28
28-26	Endpoint n Attribute Control Register OUT (EPnOUTACR).....	28-30
28-27	Endpoint n Attribute Control Register IN (EPnINACR).....	28-30
28-28	Endpoint n Max Packet Size Register OUT (EPnOUTMPSR)	28-31
28-29	Endpoint n Max Packet Size Register IN (EPnINMPSR)	28-31
28-30	Endpoint n Interface Number Register OUT (EPnOUTIFR)	28-32
28-31	Endpoint n Interface Number Register IN (EPnINIFR)	28-32
28-32	Endpoint n Status Register OUT (EPnOUTSR)	28-32
28-33	Endpoint n Status Register IN (EPnINSR).....	28-33
28-34	Endpoint n bmRequest Type Register (BMRTR).....	28-34
28-35	bRequest Type Register (BRTR).....	28-34
28-36	wValue Register (WVALUER).....	28-35
28-37	wIndex Register (WINDEXR).....	28-35
28-38	wLength Register (WLENGTHR).....	28-36
28-39	Endpoint n Sync Frame Register OUT (EPnOUTSFR)	28-36
28-40	Endpoint n Sync Frame Register IN (EPnINSFR)	28-36
28-41	USB Endpoint n Status and Control Register (EPnSTAT).....	28-37
28-42	USB Endpoint n Interrupt Status Register (EPnISR)	28-38
28-43	USB Endpoint n Interrupt Mask Register (EPnIMR).....	28-40
28-44	USB Endpoint n FIFO RAM Configuration Register (EPnFRCFGR).....	28-41
28-45	USB Endpoint n FIFO Data Register (EPnFDR)	28-42
28-46	USB Endpoint n FIFO Status Register (EPnFSR).....	28-43

Figures

Figure Number	Title	Page Number
28-47	USB Endpoint n FIFO Control Register (EPnFCR)	28-45
28-48	USB Endpoint n Alarm Register (EPnFAR)	28-47
28-49	USB Endpoint n FIFO Read Pointer (EPnFRP)	28-48
28-50	USB Endpoint n FIFO Write Pointer (EPnFWP)	28-48
28-51	USB Endpoint n Last Read Frame Pointer (EPnLRFP)	28-49
28-52	USB Endpoint n Last Write Frame Pointer (EPnLWFP)	28-50
29-1	FEC Block Diagram.....	29-2
29-2	Ethernet Interrupt Event Register (EIR)	29-11
29-3	Ethernet Interrupt Mask Register (EIMR)	29-13
29-4	Ethernet Control Register (ECR)	29-14
29-5	MII Management Frame Register (MMFR)	29-15
29-6	MII Speed Control Register (MSCR)	29-16
29-7	MIB Control Register (MIBC)	29-17
29-8	Receive Control Register (RCR)	29-18
29-9	Receive Hash Register (RHR)	29-19
29-10	Transmit Control Register (TCR)	29-20
29-11	Physical Address Low Register (PALR)	29-21
29-12	Physical Address High Register (PAHR)	29-22
29-13	Opcode/Pause Duration Register (OPD)	29-23
29-14	Individual Address Upper Register (IAUR)	29-24
29-15	Individual Address Lower Register (IALR)	29-24
29-16	Group Address Upper Register (GAUR).....	29-25
29-17	Group Address Lower Register (GALR).....	29-26
29-18	FEC Transmit FIFO Watermark Register (FECTFWR).....	29-27
29-19	FEC Receive FIFO Data Register (FECRFDR)	29-28
29-20	FEC Receive FIFO Status Register (FECRFSR).....	29-28
29-21	FEC Receive FIFO Control Register (FECRFCR).....	29-30
29-22	FEC Receive FIFO Last Read Frame Pointer Register (FECRLRFP)	29-32
29-23	FEC Receive FIFO Last Write Frame Pointer Register (FECRLWFP)	29-33
29-24	FEC Receive FIFO Alarm Register (FECRFAR).....	29-34
29-25	FEC Receive FIFO Read Pointer Register (FECRFRP).....	29-35
29-26	FEC Receive FIFO Write Pointer Register (FECRFWP).....	29-36
29-27	FEC Transmit FIFO Data Register (FECTFDR)	29-37
29-28	FEC Transmit FIFO Status Register (FECTFSR)	29-37
29-29	FEC Transmit FIFO Control Register (FECTFCR)	29-39
29-30	FEC Transmit FIFO Last Write Frame Pointer Register (FECTLRFP).....	29-41
29-31	FEC Transmit FIFO Last Write Frame Pointer Register (FECTLWFP).....	29-42
29-32	FEC Transmit FIFO Alarm Register (FECTFAR)	29-43
29-33	FEC Transmit FIFO Read Pointer Register (FECTFRP)	29-44
29-34	FEC Transmit FIFO Write Pointer Register (FECTFWP)	29-45

Figures

Figure Number	Title	Page Number
29-35	FEC FIFO Reset Register (FECFRST).....	29-45
29-36	FEC CRC and Transmit Frame Control Word Register (FECCTCWR).....	29-46
29-37	Receive Frame Status Word Format (RFSW)	29-48
29-38	Transmit Frame Control Word Format (TFCW)	29-49
29-39	Ethernet Address Recognition—Receive Block Decisions	29-53
29-40	MII Nibble/Octet to Octet/Nibble Mapping	29-60
30-1	MCF5475/5474 Upper Left Quadrant Pinout (388 MAPBGA)	30-9
30-2	MCF5475/5474 Upper Right Quadrant Pinout (388 MAPBGA).....	30-10
30-3	MCF5475/5474 Lower Left Quadrant Pinout (388 MAPBGA).....	30-11
30-4	MCF5475/5474 Lower Right Quadrant Pinout (388 MAPBGA)	30-12
30-5	MCF5473/5472 Upper Left Quadrant Pinout (388 MAPBGA)	30-13
30-6	MCF5473/5472 Upper Right Quadrant Pinout (388 MAPBGA).....	30-14
30-7	MCF5473/5472 Lower Left Quadrant Pinout (388 MAPBGA).....	30-15
30-8	MCF5473/5472 Lower Right Quadrant Pinout (388 MAPBGA)	30-16
30-9	MCF5471/5470 Upper Left Quadrant Pinout (388 MAPBGA)	30-17
30-10	MCF5471/5470 Upper Right Quadrant Pinout (388 MAPBGA).....	30-18
30-11	MCF5471/5470 Lower Left Quadrant Pinout (388 MAPBGA).....	30-19
30-12	MCF5475/5474 Lower Right Quadrant Pinout (388 MAPBGA)	30-20
30-13	388-pin BGA Case Outline.....	30-22

Tables

Table Number	Title	Page Number
1-1	MCF547x Family Products.....	1-4
1-2	MCF547x Family Clocking Options	1-8
2-1	MCF547x Signal Description	2-3
2-2	MCF5475/MCF5474 Signal Description by Pin Number	2-11
2-3	Data Transfer Size	2-19
2-4	MCF547X Divide Ratio Encodings.....	2-24
2-5	AD5/FBSIZE Selection of $\overline{BE}/\overline{BWE}[3:0]$ Signals	2-24
2-6	AD4/FBMODE Selection of Non-Multiplexed 32-bit Address/32-bit Data Mode.....	2-25
2-7	AD3/BECONFIG, $\overline{BE}/\overline{BWE}[3:0]$ Boot Configuration	2-25
2-8	AD2/AA_CONFIG Selection of $\overline{FBCS0}$ Automatic Acknowledge.....	2-25
2-9	AD[1:0]/PSCONFIG[1:0] Selection of $\overline{FBCS0}$ Port Size	2-26
3-1	CCR Field Descriptions	3-10
3-2	MOVEC Register Map	3-11
3-3	SR Field Descriptions	3-12
3-4	ColdFire CPU Registers.....	3-14
3-5	Integer Data Formats	3-15
3-6	ColdFire Effective Addressing Modes	3-19
3-7	V4 New Instruction Summary	3-20
3-8	User-Mode Instruction Set Summary	3-23
3-9	Supervisor-Mode Instruction Set Summary	3-27
3-10	Misaligned Operand References	3-29
3-11	Move Byte and Word Execution Times	3-30
3-12	Move Long Execution Times	3-30
3-13	MAC and Miscellaneous Move Execution Times.....	3-31
3-14	One-Operand Instruction Execution Times	3-31
3-15	Two-Operand Instruction Execution Times	3-32
3-16	Miscellaneous Instruction Execution Times.....	3-34
3-17	General Branch Instruction Execution Times.....	3-35
3-18	Bcc Instruction Execution Times.....	3-35
3-19	EMAC Instruction Execution Times	3-35
3-20	FPU Instruction Execution Times,	3-37
3-21	Exception Vector Assignments.....	3-39
3-22	Format/Vector Word.....	3-41
3-23	Processor Exceptions	3-42
3-24	OEP EX Cycle Operations.....	3-45
4-1	MACSR Field Descriptions	4-6
4-2	Summary of S/U, F/I, and R/T Control Bits.....	4-8
4-3	EMAC Instruction Summary	4-11
5-1	New ACR and CACR Bits.....	5-6

Tables

Table Number	Title	Page Number
5-2	Fault Status Encodings.....	5-8
5-3	MMUBAR Field Descriptions.....	5-11
5-4	MMU Memory Map	5-11
5-5	MMUCR Field Descriptions.....	5-13
5-6	MMUOR Field Descriptions	5-14
5-7	MMUSR Field Descriptions	5-15
5-8	MMUAR Field Descriptions	5-16
5-9	MMUTR Field Descriptions.....	5-17
5-10	MMUDR Field Descriptions	5-18
5-11	Version 4 Memory Pipelines	5-20
5-12	Pipeline Cycles	5-20
5-13	PLRU State Bits.....	5-22
6-1	Notational Conventions	6-1
6-2	Floating-Point Addressing Modes	6-3
6-3	Real Format Summary	6-5
6-4	FPCR Field Descriptions	6-8
6-5	FPSR Field Descriptions.....	6-10
6-6	Tie-Case Example.....	6-14
6-7	Round Mode Error Bounds.....	6-14
6-8	FPCC Encodings.....	6-15
6-9	Floating-Point Conditional Tests	6-16
6-10	Floating-Point Exception Vectors.....	6-18
6-11	Exception Priorities.....	6-18
6-12	BSUN Exception Enabled/Disabled Results	6-20
6-13	INAN Exception Enabled/Disabled Results	6-20
6-14	IDE Exception Enabled/Disabled Results	6-20
6-15	Possible Operand Errors	6-21
6-16	OPERR Exception Enabled/Disabled Results	6-21
6-17	OVFL Exception Enabled/Disabled Results.....	6-22
6-18	UNFL Exception Enabled/Disabled Results.....	6-22
6-19	DZ Exception Enabled/Disabled Results.....	6-23
6-20	Inexact Rounding Mode Values	6-23
6-21	INEX Exception Enabled/Disabled Results	6-23
6-22	Format Word Field Descriptions	6-24
6-23	Floating-Point Instruction Formats.....	6-25
6-24	Instruction Format Terminology.....	6-26
6-25	Floating-Point Instruction Execution Times, ,	6-27
6-26	Key Programming Model Differences.....	6-28
6-27	M68000/ColdFire Operation Sequence 1	6-29

Tables

Table Number	Title	Page Number
6-28	M68000/ColdFire Operation Sequence 2	6-29
6-29	M68000/ColdFire Operation Sequence 3	6-30
7-1	RAMBARn Field Description	7-3
7-2	Examples of Typical RAMBAR Settings	7-6
7-3	Valid and Modified Bit Settings	7-8
7-4	CACR Field Descriptions	7-19
7-5	ACRn Field Descriptions	7-23
7-6	Instruction Cache Line State Transitions	7-27
7-7	Data Cache Line State Transitions	7-29
7-8	Data Cache Line State Transitions (Current State Invalid)	7-30
7-9	Data Cache Line State Transitions (Current State Valid)	7-30
7-10	Data Cache Line State Transitions (Current State Modified)	7-31
8-1	Debug Module Signals	8-3
8-2	PSTDDATA: Sequential Execution of Single-Cycle Instructions	8-4
8-3	PSTDDATA: Data Operand Captured	8-4
8-4	Processor Status Encoding	8-5
8-5	0xE Status Posting	8-8
8-6	BDM/Breakpoint Registers	8-10
8-7	Rev. A Shared BDM/Breakpoint Hardware	8-11
8-8	AATR and AATR1 Field Descriptions	8-12
8-9	ABLR and ABLR1 Field Description	8-14
8-10	ABHR and ABHR1 Field Description	8-14
8-11	BAAR Field Descriptions	8-15
8-12	CSR Field Descriptions	8-16
8-13	DBRn Field Descriptions	8-19
8-14	DBMRn Field Descriptions	8-20
8-15	Access Size and Operand Data Location	8-20
8-16	PBR, PBR1, PBR2, PBR3 Field Descriptions	8-21
8-17	PBMR Field Descriptions	8-22
8-18	TDR Field Descriptions	8-23
8-19	XTDR Field Descriptions	8-26
8-20	PBAC Field Descriptions	8-29
8-21	PBASID Field Descriptions	8-30
8-22	Receive BDM Packet Field Description	8-33
8-23	Transmit BDM Packet Field Description	8-33
8-24	BDM Command Summary	8-34
8-25	BDM Field Descriptions	8-35
8-26	ColdFire CPU Control Register Map	8-48
8-27	Definition of DRc Encoding—Read	8-52

Tables

Table Number	Title	Page Number
8-28	PSTDDATA Nibble/CSR[BSTAT] Breakpoint Response.....	8-53
8-29	Exception Vector Assignments.....	8-54
8-30	PSTDDATA Specification for User-Mode Instructions.....	8-56
8-31	PSTDDATA Values for User-Mode Multiply-Accumulate Instructions.....	8-60
8-32	PSTDDATA Values for User-Mode Floating-Point Instructions.....	8-61
8-33	Data Markers and FPU Operand Format Specifiers.....	8-62
8-34	PSTDDATA Specification for Supervisor-Mode Instructions.....	8-62
9-1	SIU Register Map.....	9-1
9-2	SBCR Field Descriptions.....	9-4
9-3	SECSACR Field Descriptions.....	9-5
9-4	RSR Field Descriptions.....	9-5
9-5	JTAGID Field Descriptions.....	9-6
10-1	MCF547X Divide Ratio Encodings.....	10-3
10-2	XL Bus Arbiter Memory Map.....	10-8
10-3	XARB_CFG Bit Descriptions.....	10-9
10-4	VER Field Descriptions.....	10-10
10-5	XARB_SR Field Descriptions.....	10-11
10-6	XARB_IMR Field Descriptions.....	10-12
10-7	XARB_ADRCAP Field Descriptions.....	10-13
10-8	XARB_SIGCAP Field Descriptions.....	10-14
10-9	XARB_ADRTO Field Descriptions.....	10-15
10-10	XARB_DATTO Field Descriptions.....	10-16
10-11	XARB_BUSTO Field Descriptions.....	10-16
10-12	XARB_PRIEN Field Descriptions.....	10-17
10-13	Hardcoded Master Priority.....	10-17
10-14	XARB_PRI Field Descriptions.....	10-18
11-1	General Purpose Timer Memory Map.....	11-2
11-2	GMSn Field Descriptions.....	11-3
11-3	GCIRn Field Descriptions.....	11-6
11-4	GPWMn Field Descriptions.....	11-7
11-5	GSRn Field Descriptions.....	11-8
12-1	Slice Timer Memory Map.....	12-1
12-2	STCNTn Field Descriptions.....	12-2
12-3	SCRn Field Descriptions.....	12-3
12-4	SCNTn Field Descriptions.....	12-3
12-5	SSRn Field Descriptions.....	12-4
13-1	Interrupt Priority Within a Level.....	13-2
13-2	Interrupt Controller Memory Map.....	13-4
13-3	IPRH Field Descriptions.....	13-6

Tables

Table Number	Title	Page Number
13-4	IPRL Field Descriptions	13-7
13-5	IMRH Field Descriptions.....	13-8
13-6	IMRL Field Descriptions	13-9
13-7	INTFRCH Field Descriptions	13-10
13-8	INTFRCL Field Descriptions	13-11
13-9	IRQn Field Descriptions	13-11
13-10	IACKLPR Field Descriptions	13-12
13-11	ICRn Field Descriptions	13-13
13-12	Interrupt Source Assignments.....	13-13
13-13	SWIACK and L1IACK–L7IACK Field Descriptions	13-16
14-1	Edge Port Module Memory Map	14-2
14-2	EPPAR Field Descriptions.....	14-3
14-3	EPDDR Field Descriptions	14-4
14-4	EPIER Field Descriptions	14-4
14-5	EPDR Field Descriptions.....	14-5
14-6	EPPDR Field Descriptions.....	14-5
14-7	EPFR Field Descriptions	14-6
15-1	MCF547x GPIO Module External Pins.....	15-3
15-2	MCF547x Multiple-Pin Functions.....	15-7
15-3	MCF547x GPIO Module Memory Map	15-8
15-4	8-Bit PODR_x Field Descriptions	15-10
15-5	7-Bit PODR_DSPI Field Descriptions	15-11
15-6	5-Bit PODR_PCIBG and PODR_PCIBR Field Descriptions	15-11
15-7	4-Bit PODR_DMA and PODR_FECI2C Field Descriptions	15-12
15-8	5-Bit PODR_FBCS Field Descriptions	15-12
15-9	8-Bit PDDRx Field Descriptions	15-13
15-10	7-Bit PDDR_DSPI Field Descriptions	15-14
15-11	5-Bit PDDR_PCIBG and PDDR_PCIBR Field Descriptions	15-14
15-12	4-Bit PDDR_DMA and PDDR_FECI2C Field Descriptions	15-15
15-13	5-Bit PDDR_FBCS Field Descriptions	15-15
15-14	8-Bit PPDSDR_x Field Descriptions.....	15-16
15-15	7-Bit PPDSDR_DSPI Field Descriptions	15-17
15-16	5-Bit PPDSDR_PCIBG and PPDSDR_PCIBR Field Descriptions	15-18
15-17	4-Bit PPDSDR_DMA and PPDSDR_FECI2C Field Descriptions	15-18
15-18	5-Bit PPDSDR_FBCS Field Descriptions	15-19
15-19	8-Bit PCLRR_x Field Descriptions	15-20
15-20	7-Bit PCLRR_DSPI Field Descriptions	15-20
15-21	5-Bit PCLRR_PCIBG and PCLRR_PCIBR Field Descriptions	15-21
15-22	4-Bit PCLRR_DMA and PCLRR_FECI2C Field Descriptions	15-21

Tables

Table Number	Title	Page Number
15-23	5-Bit PCLRR_FBCS Field Descriptions	15-22
15-24	PAR_FBCTL Field Descriptions	15-22
15-25	PAR_FBCS Field Descriptions	15-24
15-26	PAR_DMA Field Descriptions	15-24
15-27	PAR_FEC/I2C/IRQ Field Descriptions	15-25
15-28	PAR_PCIBG Field Descriptions	15-27
15-29	PAR_PCIBR Field Descriptions	15-28
15-30	PAR_PSC3 Descriptions	15-29
15-31	PAR_PSC2 Descriptions	15-30
15-32	PAR_PCS1 Descriptions	15-31
15-33	PAR_PCS0 Descriptions	15-32
15-34	PAR_DSPI Descriptions	15-33
15-35	PAR_TIMER Descriptions	15-34
16-1	System SRAM Memory Map	16-2
16-2	SSCR Register Field Descriptions	16-3
16-3	TCCR Register Field Descriptions	16-4
16-4	TCCRDR Register Field Descriptions	16-5
16-5	TCCRDW Register Field Descriptions	16-6
16-6	TCCRSEC Register Field Descriptions	16-8
17-1	FlexBus Signal Summary	17-3
17-2	Data Transfer Size	17-5
17-3	AD4/FB_CONFIG Selection of Non-Multiplexed 32-bit Address/32-bit Data Mode	17-6
17-4	AD[2]/AA Automatic Acknowledge of Boot FBCS0	17-7
17-5	AD[1:0]/PS[1:0], Port Size of Boot FBCS0	17-7
17-6	Chip-Select Registers	17-7
17-7	CSARn Field Descriptions	17-8
17-8	CSMRn Field Descriptions	17-9
17-9	CSCRn Field Descriptions	17-11
17-10	FlexBus Operating Modes	17-13
17-11	Bus Cycle States	17-14
17-12	Transfer Size and Port Size Translation	17-28
18-1	SDDQS and SDDM to Byte Lane Mapping	18-4
18-2	SDRAM Address Multiplexing	18-5
18-3	SDRAM Commands	18-10
18-4	Mode Register Field Descriptions	18-13
18-5	Extended Mode Register Field Descriptions	18-14
18-6	SDRAMC Memory Map	18-17
18-7	SDRAMDS Field Descriptions	18-18
18-8	SDRAM Drive Strength Bit Encodings	18-18

Tables

Table Number	Title	Page Number
18-9	CFnCFG Field Descriptions	18-20
18-10	SDMR Field Descriptions.....	18-21
18-11	SDCR Field Descriptions.....	18-22
18-12	SDCFG1 Field Descriptions	18-24
18-13	SDCFG2 Field Descriptions	18-26
18-14	SDRAM Example Specifications	18-27
18-15	SDRAMDS Field Descriptions.....	18-27
18-16	CS0CFG Field Descriptions	18-28
18-17	SDCFG1 Field Descriptions	18-29
18-18	SDCFG2 Field Descriptions	18-30
18-19	SDCR + MODE_EN and IPALL Field Descriptions	18-31
18-20	SDMR Field Descriptions.....	18-32
18-21	SDMR Field Descriptions.....	18-32
18-22	SDCR + MODE_EN and IPALL Field Descriptions	18-33
18-23	SDCR + MODE_EN and IREF Field Descriptions.....	18-34
18-24	SDMR Field Descriptions.....	18-35
18-25	SDCR + REF Field Descriptions	18-36
19-1	PCI Module External Signals	19-2
19-2	PCI Memory Map	19-4
19-3	PCIIDR Field Descriptions.....	19-7
19-4	PCISCR Field Descriptions	19-8
19-5	PCICCRIR Field Descriptions.....	19-10
19-6	PCICR1 Field Descriptions	19-11
19-7	PCIBAR0 Field Descriptions.....	19-12
19-8	PCIBAR1 Field Descriptions.....	19-13
19-9	PCICR2 Field Descriptions	19-15
19-10	PCIGSCR Field Descriptions	19-16
19-11	PCITBATR0 Field Descriptions.....	19-17
19-12	PCITBATR1 Field Descriptions.....	19-18
19-13	PCITCR Field Descriptions	19-19
19-14	PCIIW0BTAR Field Descriptions	19-20
19-15	PCIIWCR Field Descriptions	19-22
19-16	PCIICR Field Descriptions	19-23
19-17	PCIISR Field Descriptions.....	19-24
19-18	PCICAR Field Descriptions.....	19-25
19-19	PCITPSR Field Descriptions	19-27
19-20	PCITSAR Field Descriptions.....	19-27
19-21	PCITTCR Field Descriptions.....	19-28
19-22	PCITER Field Descriptions	19-29

Tables

Table Number	Title	Page Number
19-23	PCITNAR Field Descriptions	19-31
19-24	PCITLWR Field Descriptions	19-32
19-25	PCITDCR Field Descriptions	19-32
19-26	PCITSR Field Descriptions	19-33
19-27	PCITFDR Field Descriptions.....	19-35
19-28	PCITFSR Field Descriptions	19-35
19-29	PCITFCR Field Descriptions.....	19-37
19-30	PCITFAR Field Descriptions.....	19-38
19-31	PCITFRPR Field Descriptions.....	19-39
19-32	PCITFWPR Field Descriptions	19-40
19-33	PCIRPSR Field Descriptions	19-40
19-34	PCIRSAR Field Descriptions	19-41
19-35	PCIRTCR Field Descriptions	19-42
19-36	PCIRER Field Descriptions	19-43
19-37	PCIRNAR Field Descriptions.....	19-45
19-38	PCIRDCR Field Descriptions.....	19-46
19-39	PCIRSR Field Descriptions	19-47
19-40	PCIRFDR Field Description	19-48
19-41	PCIRFSR Field Descriptions	19-49
19-42	PCIRFCR Field Descriptions.....	19-50
19-43	PCIRFAR Field Descriptions	19-52
19-44	PCIRFRPR Field Descriptions	19-52
19-45	PCIRFWPR Field Descriptions	19-53
19-46	PCI Command Encodings	19-54
19-47	PCI Bus Commands.....	19-56
19-48	PCI I/O Space Byte Decoding	19-58
19-49	XL Bus to PCI Byte Lanes for Memory Transactions	19-63
19-50	Type 0 Configuration Device Number to IDSEL Translation	19-66
19-51	Special Cycle Message Encodings	19-68
19-52	Unsupported XL Bus Transfers	19-68
19-53	Aligned PCI to XL Bus Transfers.....	19-70
19-54	Non-Contiguous PCI to XL Bus Transfers (Requires Two XL Bus Accesses)	19-70
19-55	Comm Bus to PCI Byte Lanes for Memory Transactions	19-73
19-56	PCI and System Clock Frequencies.....	19-75
19-57	Transaction Mapping: XL Bus Æ PCI.....	19-76
19-58	Address Register Accessibility	19-79
20-1	PCI Arbiter External Signals	20-2
20-2	PACR Field Descriptions.....	20-4
20-3	PASR Field Descriptions	20-5

Tables

Table Number	Title	Page Number
21-1	AESA Rounds as a Function of Key Size.....	21-6
21-2	SEC Module Base Address Map	21-9
21-3	SEC Register Map	21-9
21-4	EUACR Field Descriptions	21-13
21-5	Channel Assignment Value	21-14
21-6	EUASR Field Descriptions.....	21-15
21-7	SIMR, SISR, and SICR Field Descriptions	21-17
21-8	SMCR Field Descriptions.....	21-19
21-9	MEAR Field Descriptions	21-20
21-10	CCCRn Field Descriptions	21-22
21-11	Burst Size Definition	21-23
21-12	CCPSRn Field Descriptions.....	21-24
21-13	STATE Field Values.....	21-26
21-14	CDPRn Field Descriptions.....	21-28
21-15	FRn Field Descriptions	21-29
21-16	AFRCR Field Descriptions.....	21-31
21-17	AFSR Field Descriptions	21-32
21-18	AFISR Field Descriptions.....	21-33
21-19	AFIMR Field Descriptions	21-35
21-20	DRCR Field Descriptions	21-37
21-21	DSR Field Descriptions	21-38
21-22	DISR Field Descriptions.....	21-40
21-23	DIMR Field Descriptions.....	21-42
21-24	MDEURCR Field Descriptions	21-44
21-25	MDSR Field Descriptions.....	21-45
21-26	MDISR Field Descriptions	21-47
21-27	MDIMR Field Descriptions.....	21-48
21-28	RNGRCR Field Descriptions.....	21-50
21-29	RNGSR Field Descriptions.....	21-51
21-30	RNGISR Field Descriptions	21-52
21-31	RNGIMR Field Descriptions	21-53
21-32	AESRCR Field Descriptions	21-55
21-33	AESSR Field Descriptions.....	21-56
21-34	AESISR Field Descriptions	21-57
21-35	AESIMR Field Descriptions.....	21-59
21-36	Header Bit Definitions	21-62
21-37	Descriptor Types.....	21-63
21-38	Descriptor Data Packet Length Field Mapping	21-64
21-39	Descriptor Data Packet Pointer Field Mapping.....	21-64

Tables

Table Number	Title	Page Number
21-40	Next Descriptor Pointer Field Mapping.....	21-65
21-41	Descriptor Types.....	21-66
21-42	Descriptor Length/Pointer Mapping.....	21-67
21-43	AFEU Mode Register Field Descriptions.....	21-72
21-44	DEU Mode Option Field Descriptions.....	21-76
21-45	Typical Header Values for Dynamic DEU Descriptor Format.....	21-78
21-46	Typical Header Values for First Static DEU Descriptor Format.....	21-79
21-47	Typical Header Values for Middle Static DEU Descriptor Format.....	21-80
21-48	Typical Header Values Final Static DEU Descriptor Format.....	21-81
21-49	MDEU Mode Option Field Descriptions.....	21-81
21-50	Recommended MDEU Mode Register Settings.....	21-82
21-51	Typical Header Values for Dynamic MDEU Format.....	21-83
21-52	Typical Header Values for Using First Static MDEU Descriptor Format.....	21-84
21-53	Typical Header Values for Using Middle Static MDEU Descriptor Format.....	21-85
21-54	Typical Header Values for Using Final Static MDEU Descriptor Format.....	21-86
21-55	AESU Mode Register Field Descriptions.....	21-88
21-56	Typical Header Values for Dynamic AESU Format.....	21-89
21-57	Typical Header Values for Using First Static AESU Descriptor Format.....	21-90
21-58	Typical Header Values for Using Middle Static AESU Descriptor Format.....	21-91
21-59	Typical Header Values for Using Final Static AESU Descriptor Format.....	21-92
21-60	AES-CCM Encryption Context Input Format.....	21-93
21-61	AES-CCM Encryption Context Output Format.....	21-93
21-62	AES-CCM Decryption Context Input Format.....	21-94
21-63	AES-CCM Decryption Context Output Format.....	21-94
21-64	Typical Header Values for Dynamic Multi-Function DEU Descriptors.....	21-97
21-65	Typical Header Values for Dynamic Multi-Function AESU Descriptors.....	21-97
21-66	Typical Header Values for Dynamic Multi-Function DEU Descriptors.....	21-99
21-67	Typical Header Values for Dynamic Multi-Function AESU Descriptors.....	21-99
21-68	Typical Header Values for First Static Multi-Function DEU Descriptors.....	21-101
21-69	Typical Header Values for Dynamic Multi-Function AESU Descriptors.....	21-102
21-70	Typical Header Values for Middle Static Multi-Function DEU Descriptors.....	21-103
21-71	Typical Header Values for Middle Static Multi-Function AESU Descriptors.....	21-104
21-72	Typical Header Values for Final Static Multi-Function DEU Descriptors.....	21-106
21-73	Typical Header Values for Final Static Multi-Function AESU Descriptors.....	21-107
21-74	Typical Header Values for Outbound TLS Descriptor One Format.....	21-108
21-75	Typical Header Values for Outbound TLS Descriptor One Format.....	21-111
22-1	Signal Properties.....	22-3
22-2	Pin Function Selected.....	22-3
22-3	Signal State to the Disable Module.....	22-4

Tables

Table Number	Title	Page Number
22-4	JTAG IDCODE Field Descriptions	22-6
22-5	JTAG Instructions	22-8
23-1	DMA Memory Map	23-5
23-2	TaskBAR Field Descriptions	23-7
23-3	CP Field Descriptions	23-8
23-4	EP Field Descriptions	23-8
23-5	VP Field Descriptions	23-9
23-6	PTD Field Descriptions	23-10
23-7	DIPR Field Descriptions	23-11
23-8	DIMR Field Descriptions	23-11
23-9	TCRn Field Descriptions	23-12
23-10	PRIOR Field Descriptions	23-13
23-12	Debug Comparator Field Descriptions	23-17
23-11	TSKSZ Field Descriptions	23-17
23-13	Debug Control Field Descriptions	23-18
23-14	Comparator 1 Type Bit Encoding	23-19
23-15	Comparator 2 Type Bit Encodings	23-19
23-16	Debug Status Field Descriptions	23-20
23-17	PTD Debug Register Descriptions	23-21
23-18	EREQCTRL Field Descriptions	23-23
23-19	Behavior of Task Table Control Bits	23-32
24-1	Timer Register Mapping	24-3
24-2	CTCRn—Fixed Timer Channel Field Descriptions	24-5
24-3	CTCRn—Variable Timer Channel Field Descriptions	24-7
25-1	PSC Signal Properties	25-3
25-2	PSC Memory Map	25-3
25-3	PSCMR1n Field Descriptions	25-6
25-4	PSCMR2n Field Descriptions	25-7
25-5	PSCSRn Field Descriptions	25-9
25-6	RCSEL[3:0] and TCSEL[3:0]	25-11
25-7	PSCCRn Field Descriptions	25-13
25-8	PSCRBn and PSCTBn Field Descriptions for UART, Modem 8, SIR, MIR, and FIR Modes	25-17
25-9	PSCRBn and PSCTBn Field Descriptions for Modem 16 Mode	25-17
25-10	PSCRBn and PSCTBn AC 97 Mode Field Descriptions	25-18
25-11	PSCIPCRn Field Descriptions	25-18
25-12	PSCACRn Field Descriptions	25-19
25-13	PSCISRn Field Descriptions	25-20
25-14	PSCIMRn Field Descriptions	25-21

Tables

Table Number	Title	Page Number
25-15	PSCCTURn Field Descriptions	25-22
25-16	PSCCTLRn Field Descriptions.....	25-23
25-17	PSCIPn Field Descriptions	25-23
25-18	PSCOPSETn Field Descriptions.....	25-23
25-19	PSCOPRESETn Field Descriptions.....	25-24
25-20	PSCSICRn Field Descriptions	25-24
25-21	SIM[2:0].....	25-25
25-22	PSCIRCR1n Field Descriptions.....	25-25
25-23	PSCIRCR2n Field Descriptions.....	25-26
25-24	PSCIRSDRn Field Descriptions	25-26
25-25	PSCIRMDRn Field Descriptions.....	25-27
25-26	Frequency Selection in MIR Mode.....	25-27
25-27	PSCIRFDRn Field Descriptions	25-28
25-28	Frequency Selection in FIR Mode	25-28
25-29	PSCRFCNTn and PSCTFCNTn Field Descriptions	25-28
25-30	PSCRFSRn and PSCTFSRn Field Descriptions.....	25-30
25-31	PSCRFCRn and PSCTFCRn Field Descriptions	25-32
25-32	PSCRFAFn and PSCTFAFn Field Descriptions	25-33
25-33	PSCRFRPn and PSCTFRPn Field Descriptions.....	25-34
25-34	PSCRFWPn / PSCTFWPn Field Descriptions	25-34
25-35	PSCRFRFPn / PSCTLRFPn Field Descriptions	25-35
25-36	PSCRWFp / PSCTLWFPn Field Descriptions	25-36
25-37	Slot Functions in AC97.....	25-41
25-38	Chip Patterns for FIR Fields	25-44
25-39	Reset Summary	25-46
25-40	Interrupt Summary	25-47
25-41	Sample Initialization Sequence for UART Mode.....	25-48
25-42	Sample Initialization Sequence for Modem8 Mode	25-50
25-43	A Sample Initialization Sequence for AC97 Mode	25-51
25-44	A Sample Initialization Sequence for SIR Mode.....	25-51
25-45	A Sample Initialization Sequence for MIR Mode	25-53
25-46	A Sample Initialization Sequence for FIR Mode.....	25-54
26-1	I ² C Memory Map.....	26-3
26-2	I2ADR Field Descriptions	26-3
26-3	I2FDR Field Descriptions.....	26-4
26-4	I2ICR Field Descriptions	26-6
26-5	I2SR Field Descriptions.....	26-7
26-6	I2DR Field Description.....	26-8
26-7	I2ICR Field Descriptions	26-9

Tables

Table Number	Title	Page Number
26-8	I2C Terminology.....	26-10
27-1	Signal Properties	27-3
27-2	DSPI Memory Map.....	27-5
27-3	DMCR Field Descriptions	27-6
27-4	DMCR Field Descriptions	27-8
27-5	DCTAR Field Descriptions	27-9
27-6	DSPI Transfer Size	27-11
27-7	Scaler for CS to DSPISCK Delay, After DSPISCK Delay, and Delay After Transfer	27-12
27-8	DSPI Baud Rate Scaler	27-12
27-9	DSR Field Descriptions	27-14
27-10	DIRSR Field Descriptions	27-16
27-11	DTFR Field Descriptions.....	27-18
27-12	DRFR Field Descriptions.....	27-19
27-13	DTFDRx Field Descriptions.....	27-20
27-14	DRFDRx Field Descriptions.....	27-20
27-15	State Transitions for Start and Stop of DSPI Transfers	27-22
27-16	Baud Rate Computation Example.....	27-25
27-17	PCS to DSPISCK Delay Computation Example	27-25
27-18	After DSPISCK Delay Computation Example.....	27-25
27-19	Delay after Transfer Computation Example	27-26
27-20	Peripheral Chip Select Strobe Assert Computation Example.....	27-27
27-21	Peripheral Chip Select Strobe Negate Computation Example.....	27-27
27-22	Interrupt and DMA Request Conditions	27-33
27-23	Baud Rate Values.....	27-36
27-24	Delay Values.....	27-37
28-1	USB Memory Map.....	28-5
28-2	USBSR Field Descriptions	28-11
28-3	USBCR Field Descriptions	28-12
28-4	DRAMCR Field Descriptions.....	28-14
28-5	DRAMDR Field Descriptions	28-15
28-6	USBISR Field Descriptions	28-16
28-7	USBIMR Field Descriptions.....	28-17
28-8	USBAISR Field Descriptions	28-19
28-9	USBAIMR Field Descriptions.....	28-20
28-10	EPINFO Field Descriptions	28-21
28-11	CFGAR Field Descriptions.....	28-21
28-12	CFGAR Field Descriptions.....	28-22
28-13	SPEEDR Field Descriptions	28-23
28-14	FRMNUMR Field Descriptions.....	28-23

Tables

Table Number	Title	Page Number
28-15	EPTNR Field Descriptions	28-24
28-16	IFUR Field Descriptions	28-24
28-17	IFR _n Field Descriptions	28-25
28-18	PPCNT Field Descriptions	28-26
28-19	DPCNT Field Descriptions	28-26
28-20	CRCECNT Field Descriptions	28-26
28-21	BSECNT Field Descriptions	28-27
28-22	PIDECNT Field Descriptions	28-27
28-23	FRMECNT Field Descriptions	28-28
28-24	TXPCNT Field Descriptions	28-28
28-25	CNTOVR Field Descriptions	28-28
28-26	EP _n OUTACR and EP _n INACR Field Descriptions	28-30
28-27	EP _n OUTMPSR and EP _n INMPSR Field Descriptions	28-31
28-28	EP _n OUTIFR and EP _n INIFR Field Descriptions	28-32
28-29	EP _n OUTSR and EP _n INSR Field Descriptions	28-33
28-30	BMRTR Field Descriptions	28-34
28-31	BRTR Field Descriptions	28-34
28-32	WVALUER Field Descriptions	28-35
28-33	WINDEXR Field Descriptions	28-35
28-34	WLENGTHR Field Descriptions	28-36
28-35	EP _n OUTSFR and EP _n INSFR Field Descriptions	28-37
28-36	EP _n STAT Field Descriptions	28-37
28-37	EP _n ISR Field Descriptions	28-39
28-38	EP _n IMR Field Descriptions	28-40
28-39	EP _n FRCFGR Field Descriptions	28-41
28-40	EP _n FDR Field Descriptions	28-42
28-41	EP _n FSR Field Descriptions	28-43
28-42	EP _n FCR Field Descriptions	28-45
28-43	EP _n FAR Field Descriptions	28-47
28-44	EP _n FRP Field Descriptions	28-48
28-45	EP _n FWP Field Descriptions	28-49
28-46	EP _n LRFP Field Descriptions	28-49
28-47	EP _n LWFP Field Descriptions	28-50
29-1	MCF547X Family Products	29-1
29-2	MII: Valid Encoding of EnTXD, EnTXEN and EnTXER	29-6
29-3	MII: Valid Encoding of EnRXD, EnRXER and EnRXDV	29-6
29-4	Module Memory Map	29-6
29-5	FEC Register Memory Map	29-7
29-6	MIB Counters Memory Map	29-9

Tables

Table Number	Title	Page Number
29-7	EIR Descriptions	29-11
29-8	EIMR Field Descriptions	29-13
29-9	ECR Field Descriptions	29-14
29-10	MMFR Field Descriptions	29-15
29-11	MSCR Field Descriptions	29-16
29-12	Programming Examples for MSCR	29-17
29-13	MIBC Field Descriptions	29-18
29-14	RCR Field Descriptions	29-18
29-15	RHR Bits Description	29-19
29-16	TCR Field Descriptions	29-20
29-17	PALR Field Descriptions	29-21
29-18	PAHR Field Descriptions	29-22
29-19	OPD Field Descriptions	29-23
29-20	IAUR Field Descriptions	29-24
29-21	IALR Field Descriptions	29-25
29-22	GAUR Field Descriptions	29-25
29-23	GALR Field Descriptions	29-26
29-24	FECTFWR Field Descriptions	29-27
29-25	FECRFDR Field Descriptions	29-28
29-26	FECRFSR Field Descriptions	29-29
29-27	FECRFCR Field Descriptions	29-31
29-28	FECRLRFP Field Descriptions	29-32
29-29	FECRLWFP Field Descriptions	29-33
29-30	FECRFAR Field Descriptions	29-34
29-31	FECRFRP Field Descriptions	29-35
29-32	FECRFWP Field Descriptions	29-36
29-33	FECTFDR Field Descriptions	29-37
29-34	FECTFSR Field Descriptions	29-38
29-35	FECTFCR Field Descriptions	29-39
29-36	FECTLRFP Field Descriptions	29-41
29-37	FECTLWFP Field Descriptions	29-42
29-38	FECTFAR Field Descriptions	29-43
29-39	FECTFRP Field Descriptions	29-44
29-40	FECTFWP Field Descriptions	29-45
29-41	FECFRST Field Descriptions	29-46
29-42	FECCTCWR Field Descriptions	29-46
29-43	ECR[ETHER_EN] De-Assertion Effect on FEC	29-47
29-44	User Initialization (Before Asserting ECR[ETHER_EN])	29-47
29-45	RFSW Field Descriptions	29-48

Tables

Table Number	Title	Page Number
29-46	TFCW Field Descriptions	29-49
29-47	MII Mode	29-50
29-48	7-Wire Mode Configuration	29-50
29-49	Destination Address to 6-Bit Hash	29-54
29-50	PAUSE Frame Field Specification	29-56
29-51	Transmit Pause Frame Registers.....	29-57
29-52	MII Management Register Set	29-60
30-1	MCF5475/MCF5474 Signal Description by Pin Number	30-1
A-1	MCF547x Module Memory Map Overview	A-1

About This Book

The primary objective of this reference manual is to define the functionality of the MCF547x processors for use by software and hardware developers.

The information in this book is subject to change without notice, as described in the disclaimers on the title page of this book. As with any technical documentation, it is the readers' responsibility to be sure they are using the most recent version of the documentation.

To locate any published errata or updates for this document, refer to the world-wide web at <http://www.freescale.com/coldfire>.

Audience

This manual is intended for system software and hardware developers and applications programmers who want to develop products for the MCF547x. It is assumed that the reader understands operating systems, microprocessor system design, basic principles of software and hardware, and basic details of the ColdFire architecture.

Organization

Following is a summary and a brief description of the major sections of this manual:

- [Chapter 1, “Overview,”](#) includes general descriptions of the modules and features incorporated in the MCF547x, focussing in particular on new features.
- [Chapter 2, “Signal Descriptions,”](#) provides an alphabetical listing of MCF547x signals, including which are inputs or outputs, how they are multiplexed, and the state of each signal at reset.
- [Part I, “Processor Core,”](#) is intended for system designers who need to understand the operation of the MCF547x ColdFire core and its enhanced multiply/accumulate (EMAC) execution unit. It describes the programming and exception models, Harvard memory implementation, and debug module. Part 1 contains the following chapters:
 - [Chapter 3, “ColdFire Core,”](#) provides an overview of the microprocessor core of the MCF547x. The chapter begins with a description of enhancements from the V3 ColdFire core, and then fully describes the V4e programming model as it is implemented on the MCF547x. It also includes a full description of exception handling, data formats, an instruction set summary, and a table of instruction timings.
 - [Chapter 4, “Enhanced Multiply-Accumulate Unit \(EMAC\),”](#) describes the MCF547x enhanced multiply/accumulate unit, which executes integer multiply, multiply-accumulate, and miscellaneous register instructions. The EMAC is integrated into the operand execution pipeline (OEP).
 - [Chapter 5, “Memory Management Unit \(MMU\),”](#) describes describes the ColdFire virtual memory management unit (MMU), which provides virtual-to-physical address translation and memory access control.
 - [Chapter 6, “Floating-Point Unit \(FPU\),”](#) describes instructions implemented in the floating-point unit (FPU) designed for use with the ColdFire family of microprocessors.

- Chapter 7, “Local Memory,” describes the MCF547x implementation of the ColdFire V4e local memory specification.
- Chapter 8, “Debug Support,” describes the Revision C enhanced hardware debug support in the MCF547x. This revision of the ColdFire debug architecture encompasses earlier revisions.
- Part II, “System Integration Unit,” describes the system integration unit, which provides overall control of the bus and serves as the interface between the ColdFire core processor complex and internal peripheral devices. It includes a general description of the SIU and individual chapters that describe components of the SIU, such as the interrupt controller, general purpose timers, slice timers, and GPIOs. Part II contains the following chapters:
 - Chapter 9, “System Integration Unit (SIU),” describes the SIU programming model, bus arbitration, and system-protection functions for the MCF547x.
 - Chapter 10, “Internal Clocks and Bus Architecture,” describes the clocking and internal buses of the MCF547x and discusses the main functional blocks controlling the XL bus and the XL bus arbiter.
 - Chapter 11, “General Purpose Timers (GPT),” describes the functionality of the four general purpose timers, GPT0–GPT3.
 - Chapter 12, “Slice Timers (SLT),” describes the two slice timers, shorter term periodic interrupts, used in the MCF547x.
 - Chapter 13, “Interrupt Controller,” describes operation of the interrupt controller portion of the SIU. Includes descriptions of the registers in the interrupt controller memory map and the interrupt priority scheme.
 - Chapter 14, “Edge Port Module (EPORT),” describes EPORT module functionality.
 - Chapter 15, “GPIO,” describes the operation and programming model of the parallel port pin assignment, direction-control, and data registers.
- Part III, “On-Chip Integration,” describes the on-chip integration for the MCF547x device. It includes descriptions of the system SRAM, FlexBus interface, SDRAM controller, PCI, and SEC cryptography accelerator. Part III contains the following chapters:
 - Chapter 16, “32-Kbyte System SRAM,” describes the MCF547x on-chip system SRAM implementation. It covers general operations, configuration, and initialization.
 - Chapter 17, “FlexBus,” describes data transfer operations, error conditions, and reset operations. It describes transfers initiated by the MCF547x and by an external master, and includes detailed timing diagrams showing the interaction of signals in supported bus operations.
 - Chapter 18, “SDRAM Controller (SDRAMC),” describes configuration and operation of the synchronous DRAM controller component of the SIU. It includes a description of signals involved in DRAM operations, including chip select signals and their address, mask, and control registers.
 - Chapter 19, “PCI Bus Controller,” details the operation of the PCI bus controller for the MCF547x.
 - Chapter 20, “PCI Bus Arbiter Module,” describes the MCF547x PCI bus arbiter module, including timing for request and grant handshaking, the arbitration process, and the register in the PCI bus arbiter programming model.

- Chapter 21, “Integrated Security Engine (SEC),” provides an overview of the MCF547x security encryption controller.
- Chapter 22, “IEEE 1149.1 Test Access Port (JTAG),” describes configuration and operation of the MCF547x JTAG test implementation. It describes the use of JTAG instructions and provides information on how to disable JTAG functionality.
- Part IV, “Communications Subsystem,” contains chapters that discuss the operation and configuration of the communications I/O subsystem including the MCF547x multichannel DMA, communications timer, PSC, FEC, DSPI, and USB2, and I²C.
 - Chapter 23, “Multichannel DMA,” provides an overview of the multichannel DMA controller module including the operation of the external DMA request signals.
 - Chapter 24, “Comm Timer Module (CTM),” contains a detailed description of the communications timer module, which functions as a baud clock generator or as a DMA task initiator.
 - Chapter 25, “Programmable Serial Controller (PSC),” provides an overview of asynchronous, synchronous, and IrDA 1.1 compliant receiver/transmitter serial communications of the MCF547x.
 - Chapter 26, “I²C Interface,” describes the MCF547x I²C module, including I²C protocol, clock synchronization, and the registers in the I²C programming model. It also provides programming examples.
 - Chapter 27, “DMA Serial Peripheral Interface (DSPI),” describes the use of the DMA serial peripheral interface (DSPI) implemented on the MCF547x processor, including details of the DSPI data transfers. The chapter concludes with timing diagrams and the DSPI features that support Tx and Rx FIFO queue management.
 - Chapter 28, “USB 2.0 Device Controller,” provides an overview of the USB 2.0 device controller module used in the MCF547x.
 - Chapter 29, “Fast Ethernet Controller (FEC),” provides a feature-set overview, a functional block diagram, and transceiver connection information for both MII (Media Independent Interface) and 7-wire serial interfaces. It also provides describes operation and the programming model.
- Part V, “Mechanical,” provides a pinout and both electrical and functional descriptions of the MCF547x signals. It also describes how these signals interact to support the variety of bus operations shown in timing diagrams.
 - Chapter 30, “Mechanical Data,” provides a functional pin listing and package diagram for the MCF547x.

Suggested Reading

This section lists additional reading that provides background for the information in this manual as well as general information about the ColdFire architecture.

General Information

The following documentation provides useful information about the ColdFire architecture and computer architecture in general:

- *ColdFire Programmers Reference Manual, R1.0* (MCF5200PRM/AD)
- *Using Microprocessors and Microcomputers: The Motorola Family*, William C. Wray, Ross Bannatyne, Joseph D. Greenfield
- *Computer Architecture: A Quantitative Approach*, Second Edition, by John L. Hennessy and David A. Patterson.
- *Computer Organization and Design: The Hardware/Software Interface*, Second Edition, David A. Patterson and John L. Hennessy.

ColdFire Documentation

The ColdFire documentation is available from the sources listed on the back cover of this manual. Document order numbers are included in parentheses for ease in ordering.

- *ColdFire Programmers Reference Manual, R1.0* (MCF5200PRM/AD)
- Reference manuals—These books provide details about individual ColdFire implementations and are intended to be used in conjunction with *The ColdFire Programmers Reference Manual*. These include the following:
 - *ColdFire CF4e Core User's Manual* (V4ECFUM)
 - *MCF5475 Reference Manual* (MCF5475RM)
 - *MCF5485 Reference Manual* (MCF5485RM)

Additional literature on ColdFire implementations is being released as new processors become available. For a current list of ColdFire documentation, refer to the World Wide Web at <http://www.freescale.com/ColdFire/>.

Conventions

This document uses the following notational conventions:

MNEMONICS	In text, instruction mnemonics are shown in uppercase.
mnemonics	In code and tables, instruction mnemonics are shown in lowercase.
<i>italics</i>	Italics indicate variable command parameters. Book titles in text are set in italics.
0x0	Prefix to denote hexadecimal number
0b0	Prefix to denote binary number

REG[FIELD]	Abbreviations for registers are shown in uppercase. Specific bits, fields, or ranges appear in brackets. For example, RAMBAR[BA] identifies the base address field in the RAM base address register.
nibble	A 4-bit data unit
byte	An 8-bit data unit
word	A 16-bit data unit
longword	A 32-bit data unit
x	In some contexts, such as signal encodings, x indicates a don't care.
n	Used to express an undefined numerical value
¬	NOT logical operator
&	AND logical operator
	OR logical operator

Register Conventions

This reference manual uses the register diagram format shown below.

	31	30	29	28	27	26	25	24	23	22	21	20	19	18	17	16
R	0	0	0	0	0	0	0	0	0	0	0	0	0	0	0	0
W																
Reset	0	0	0	0	0	0	0	0	0	0	0	0	0	0	0	0
Reg Addr	0x00C															
	15	14	13	12	11	10	9	8	7	6	5	4	3	2	1	0
R	0	0	0	0	0	0	0	0	0	0	0	DFL				
W																
Reset	0	0	0	0	0	0	0	0	0	0	0	0	0	0	0	0
Reg Addr	0x00C															

Table i. Example Register Diagram

Acronyms and Abbreviations

Table ii. lists acronyms and abbreviations used in this document.

Table ii. . Acronyms and Abbreviated Terms

Term	Meaning
ADC	Analog-to-digital conversion
ALU	Arithmetic logic unit
AVEC	Autovector

Table ii. . Acronyms and Abbreviated Terms (continued)

Term	Meaning
BDM	Background debug mode
BIST	Built-in self test
BSDL	Boundary-scan description language
CODEC	Code/decode
comm bus	Internal communications bus
DAC	Digital-to-analog conversion
DMA	Direct memory access
DSP	Digital signal processing
EA	Effective address
EDO	Extended data output (DRAM)
FIFO	First-in, first-out
GPIO	General-purpose I/O
I ² C	Inter-integrated circuit
IEEE	Institute for Electrical and Electronics Engineers
IFP	Instruction fetch pipeline
IPL	Interrupt priority level
JEDEC	Joint Electron Device Engineering Council
JTAG	Joint Test Action Group
LIFO	Last-in, first-out
LRU	Least recently used
LSB	Least-significant byte
lsb	Least-significant bit
MAC	Multiple accumulate unit
MBAR	Memory base address register
MSB	Most-significant byte
msb	Most-significant bit
Mux	Multiplex
NOP	No operation
OEP	Operand execution pipeline
PC	Program counter
PCLK	Processor clock
PLL	Phase-locked loop
PLRU	Pseudo least recently used
POR	Power-on reset
PQFP	Plastic quad flat pack

Table ii. . Acronyms and Abbreviated Terms (continued)

Term	Meaning
RISC	Reduced instruction set computing
Rx	Receive
SIM	System integration module
SOF	Start of frame
TAP	Test access port
TTL	Transistor-to-transistor logic
Tx	Transmit
UART	Universal asynchronous/synchronous receiver transmitter
XLB bus	Internal 64-bit bus

Terminology and Notational Conventions

Table iii shows notational conventions used throughout this document.

Table iii. Notational Conventions

Instruction	Operand Syntax
Opcode Wildcard	
cc	Logical condition (example: NE for not equal)
Register Specifications	
An	Any address register n (example: A3 is address register 3)
Ay,Ax	Source and destination address registers, respectively
Dn	Any data register n (example: D5 is data register 5)
Dy,Dx	Source and destination data registers, respectively
Rc	Any control register (example VBR is the vector base register)
Rm	MAC registers (ACC, MAC, MASK)
Rn	Any address or data register
Rw	Destination register w (used for MAC instructions only)
Ry,Rx	Any source and destination registers, respectively
Xi	index register i (can be an address or data register: Ai, Di)

Table iii. Notational Conventions (continued)

Instruction	Operand Syntax
Register Names	
ACC	MAC accumulator register
CCR	Condition code register (lower byte of SR)
MACSR	MAC status register
MASK	MAC mask register
PC	Program counter
SR	Status register
Port Name	
PSTDDATA	Processor status/debug data port
Miscellaneous Operands	
#<data>	Immediate data following the 16-bit operation word of the instruction
<ea>	Effective address
<ea>y,<ea>x	Source and destination effective addresses, respectively
<label>	Assembly language program label
<list>	List of registers for MOVEM instruction (example: D3–D0)
<shift>	Shift operation: shift left (<<), shift right (>>)
<size>	Operand data size: byte (B), word (W), longword (L)
bc	Both instruction and data caches
dc	Data cache
ic	Instruction cache
# <vector>	Identifies the 4-bit vector number for trap instructions
<>	identifies an indirect data address referencing memory
<xxx>	identifies an absolute address referencing memory
d <i>n</i>	Signal displacement value, <i>n</i> bits wide (example: d16 is a 16-bit displacement)
SF	Scale factor (x1, x2, x4 for indexed addressing mode, <<1 <i>n</i> >> for MAC operations)
Operations	
+	Arithmetic addition or postincrement indicator
–	Arithmetic subtraction or predecrement indicator
x	Arithmetic multiplication

Table iii. Notational Conventions (continued)

Instruction	Operand Syntax
/	Arithmetic division
~	Invert; operand is logically complemented
&	Logical AND
	Logical OR
^	Logical exclusive OR
<<	Shift left (example: D0 << 3 is shift D0 left 3 bits)
>>	Shift right (example: D0 >> 3 is shift D0 right 3 bits)
→	Source operand is moved to destination operand
←→	Two operands are exchanged
sign-extended	All bits of the upper portion are made equal to the high-order bit of the lower portion
If <condition> then <operations> else <operations>	Test the condition. If true, the operations after 'then' are performed. If the condition is false and the optional 'else' clause is present, the operations after 'else' are performed. If the condition is false and else is omitted, the instruction performs no operation. Refer to the Bcc instruction description as an example.
Subfields and Qualifiers	
{}	Optional operation
()	Identifies an indirect address
d _n	Displacement value, n-bits wide (example: d ₁₆ is a 16-bit displacement)
Address	Calculated effective address (pointer)
Bit	Bit selection (example: Bit 3 of D0)
lsb	Least significant bit (example: lsb of D0)
LSB	Least significant byte
LSW	Least significant word
msb	Most significant bit
MSB	Most significant byte
MSW	Most significant word
Condition Code Register Bit Names	
C	Carry
N	Negative
V	Overflow
X	Extend
Z	Zero

Table iv. MCF547x Revision History

Revision Number	Date of Release	Substantive Changes	Section/Page
1.0	3/2004	Initial release.	
1.1	3/2004	Changed instances of FEC2 to FEC1 and FEC1 to FEC0.	Figure 14-1/14-2
		Changed instances of FEC2 to FEC1 and FEC1 to FEC0.	29.3.1/29-5– 29.3.4.1/29-9
1.2	3/2004	Removed FlexCAN chapter. The MCF547x does not have a FlexCAN.	
2.0	10/2004	Many content changes, the biggest being greatly enhancing the MC-DMA chapter and adding Clocks and Internal Buses chapter. Many editorial changes.	
2.1	10/2004	Took out FlexCan chapter. Fixed timing diagrams in FlexBus chapter.	Chapter 17

Chapter 1

Overview

This chapter provides an overview of the MCF547x microprocessor features, including the major functional components.

1.1 MCF547x Family Overview

The MCF547x family is based on the ColdFire V4e core, a complex which comprises the ColdFire V4 central processor unit (CPU), an enhanced multiply-accumulate unit (EMAC), a memory management unit (MMU), a double-precision floating point unit (FPU) conforming to standard IEEE-754, and controllers for caches and local data memories. The MCF547x family is capable of performing at an operating frequency of up to 266 MHz or 410 MIPS (Dhrystone 2.1).

To maximize throughput, the MCF547x family incorporates three independent external bus interfaces:

1. The general-purpose local bus (FlexBus) is used for system boot memories and simple peripherals and has up to six chip selects.
2. Program code and data can be stored in SDRAM connected to a dedicated 32-bit double data rate (DDR) bus that can run at up to one-half of the CPU core frequency. The glueless DDR SDRAM controller handles all address multiplexing, input and output strobe timing, and memory bus clock generation.
3. A 32-bit PCI bus compliant with the version 2.2 specification and running at a typical frequency of 33 MHz or 66 MHz supports peripherals that require high bandwidth, the ability to arbitrate for bus mastership, and access to internal MCF547x memory resources.

The MCF547x family provides substantial communications functionality by integrating the following connectivity peripherals:

- Up to two 10/100 Mbps fast Ethernet controllers (FECs)
- One optional USB 2.0 device (slave) module with seven endpoints and an integrated transceiver
- Up to four UART/USART/IRDA/modem programmable serial controllers (PSCs)
- One DMA serial peripheral interface (DSPI)
- One inter-integrated circuit (I²CTM) bus controller

Additionally, the MCF547x provides hardware support for a range of Internet security standards with an optional bus-mastering cryptography accelerator. This module incorporates units to speed DES/3DES and AES block ciphers, the RC4 stream cipher, bulk data hashing (MD5/SHA-1/SHA-256/HMAC), and random number generation. Hardware acceleration of these functions is critical to avoiding the throughput bottlenecks associated with software-only implementations of SSH, SSL/TLS, IPsec, SRTP, WEP, and other security standards. The incorporation of cryptography acceleration makes the MCF547x family a compelling solution for a wide range of office automation, industrial control, and SOHO networking devices that must have the ability to securely transmit critical equipment control information across typically insecure Ethernet data networks.

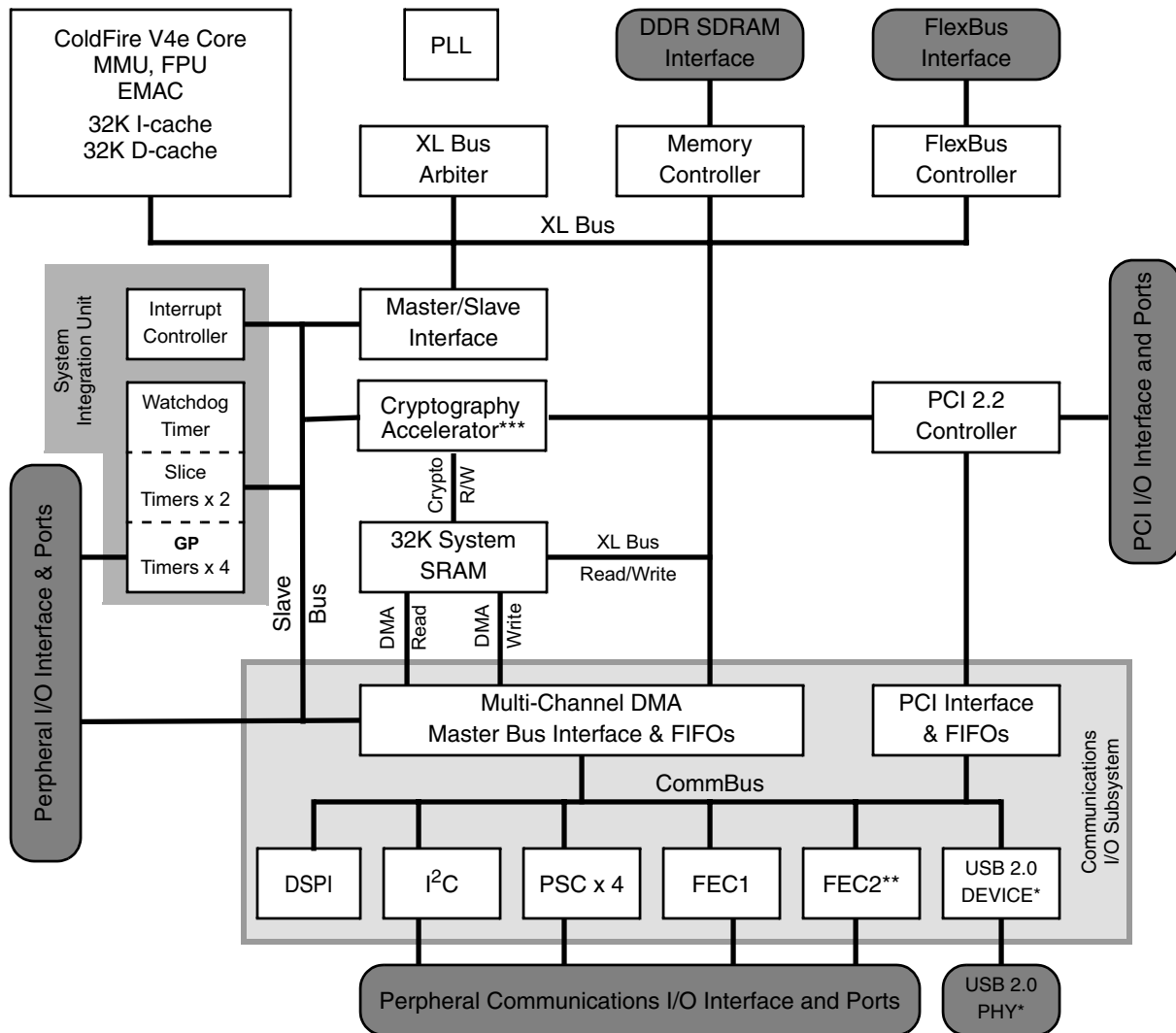
Additional features of MCF547x products include a watchdog timer, two 32-bit slice timers for RTOS scheduling and alarm functionality, up to four 32-bit general-purpose timers with capture, compare, and pulse width modulation capability, a multisource vectored interrupt controller, a phase-locked loop (PLL) to generate the system clock, 32 Kbytes of SRAM for high-speed local data storage, and multiple general-purpose I/O ports.

With on-chip support for multiple common communications interfaces, MCF547x products require only the addition of memories and certain physical layer transceivers to be cost-effective system solutions for many applications. Such applications include industrial routers, high-end POS terminals, building automation systems, and process control equipment.

MCF547x products require four supply voltages: 1.5V for the high-performance, low power, internal core logic, 2.5V for the DDR SDRAM bus interface, 1.25V for the DDR SDRAM V_{REF} , and 3.3V for all other I/O functionality, including the PCI and FlexBus interfaces.

1.2 MCF547x Block Diagram

Figure 1-1 shows a top-level block diagram of the MCF547x products.



¹ *Available in MCF5475, MCF5474, MCF5473, and MCF5472 devices.

**Available in MCF5475, MCF5474, MCF5471, and MCF5470 devices.

***Available in MCF5475, MCF5473, and MCF5471 devices.

Figure 1-1. MCF547x Block Diagram

1.3 MCF547x Family Products

Table summarizes the products available within the MCF547x product family. All products are available in pin-compatible, 388-pin PBGA packaging allowing for ease of migration between products within the family. A printed circuit board designed using the MCF5475/4 footprint is compatible with any of the MCF547x family devices.

Table 1-1. MCF547x Family Products

Product	Performance	Features	Temperature Range
MCF5475	410 MIPS 266 MHz	Two 10/100 Ethernet Controllers USB 2.0 Device with Integrated PHY v2.2 PCI Controller DDR Memory Controller Encryption Accelerator	0 to 70° C
MCF5474	410 MIPS 266 MHz	Two 10/100 Ethernet Controllers USB 2.0 Device with Integrated PHY v2.2 PCI Controller DDR Memory Controller	0 to 70° C
MCF5473	308 MIPS 200 MHz	One 10/100 Ethernet Controller USB 2.0 Device with Integrated PHY v2.2 PCI Controller DDR Memory Controller Encryption Accelerator	0 to 70° C
MCF5472	308 MIPS 200 MHz	One 10/100 Ethernet Controller USB 2.0 Device with Integrated PHY v2.2 PCI Controller DDR Memory Controller	0 to 70° C
MCF5471	308 MIPS 200 MHz	Two 10/100 Ethernet Controllers v2.2 PCI Controller DDR Memory Controller Encryption Accelerator	0 to 70° C
MCF5470	308 MIPS 200 MHz	Two 10/100 Ethernet Controllers v2.2 PCI Controller DDR Memory Controller	0 to 70° C

1.4 MCF547x Family Features

- ColdFire V4e core
 - Limited superscalar V4 ColdFire processor core
 - Up to 266 MHz peak internal core frequency (410 Dhrystone 2.1 MIPS)
 - Harvard architecture
 - 32-Kbyte instruction cache
 - 32-Kbyte data cache
 - Memory management unit (MMU)
 - Separate, 32-entry, fully-associative instruction and data translation lookahead buffers
 - Floating point unit (FPU)
 - Double-precision support that conforms to IEEE-754 standard
 - Eight floating point registers
- Internal master bus (XLB) arbiter
 - High performance split address and data transactions
 - Support for various parking modes

- 32-bit double data rate (DDR) synchronous DRAM (SDRAM) controller
 - 66–133 MHz operation
 - Supports both DDR and SDR DRAM
 - Built-in initialization and refresh
 - Up to four chip selects enabling up to 1 GB of external memory
- Version 2.2 peripheral component interconnect (PCI) bus
 - 32-bit target and initiator operation
 - Support for up to five external PCI masters
 - 33–66 MHz operation with PCI bus to XLB divider ratios of 1:1, 1:2, and 1:4
- Flexible multifunction external bus (FlexBus)
 - Supports operation with the following:
 - Non-multiplexed 32-bit address and 32-bit data (32-bit address muxed over PCI bus—PCI not usable)
 - Multiplexed 32-bit address and 32-bit data (PCI usable)
 - Multiplexed 32-bit address and 16-bit data
 - Multiplexed 32-bit address and 8-bit data
 - Provides a glueless interface to boot Flash/ROM, SRAM, and peripheral devices
 - Up to six chip selects
 - 33–66 MHz operation
- Communications I/O subsystem
 - Intelligent 16-channel DMA controller
 - Dedicated DMA channels for receive and transmit on all subsystem peripheral interfaces
 - Up to two 10/100 Mbps fast Ethernet controllers (FECs), each with separate 2-Kbyte receive and transmit FIFOs
 - Universal serial bus (USB) version 2.0 device controller
 - Support for one control and six programmable endpoints — interrupt, bulk, or isochronous
 - 4 Kbytes of shared endpoint FIFO RAM and 1 Kbyte of endpoint descriptor RAM
 - Integrated physical layer interface
 - Up to four programmable serial controllers (PSCs) each with separate 512-byte receive and transmit FIFOs for UART, USART, modem, codec, and IrDA 1.1 interfaces
 - I²C peripheral interface
 - DMA serial peripheral interface (DSPI)
- Optional security encryption controller (SEC) module
 - Execution units for the following:
 - DES/3DES block cipher
 - AES block cipher
 - RC4 stream cipher
 - MD5/SHA-1/SHA-256/HMAC hashing
 - Random number generator compliant with FIPS 140-1 standards for randomness and non-determinism
 - Dual-channel architecture permits single-pass encryption and authentication

- 32-Kbyte system SRAM
 - Arbitration mechanism shares bandwidth between internal bus masters (CPU, cryptography accelerator, PCI, and DMA)
- System integration unit (SIU)
 - Interrupt controller
 - Watchdog timer
 - Two 32-bit slice timers for periodic alarm and interrupt generation
 - Up to four 32-bit general-purpose timers with capture, compare, and PWM capability
 - General-purpose I/O ports multiplexed with peripheral pins
- Debug and test features
 - Core debug support via ColdFire background debug mode (BDM) port
 - Chip debug support via JTAG/ IEEE 1149.1 test access port
- PLL and clock generator
 - 30–66.67 MHz input frequency range
- Operating Voltages
 - 1.5V internal logic
 - 2.5V DDR SDRAM bus I/O (1.25V V_{REF})
 - 3.3V PCI, FlexBus, and all other I/O
- Estimated power consumption
 - <1.5W

1.4.1 ColdFire V4e Core Overview

The ColdFire V4e core is a variable-length RISC, clock-multiplied core that includes a Harvard memory architecture, branch cache acceleration logic, and limited superscalar dual-instruction issue capabilities. The limited superscalar design approaches dual-issue performance with the cost of a scalar execution pipeline.

The ColdFire V4e processor core is comprised of two separate pipelines that are decoupled by an instruction buffer. The four-stage instruction fetch pipeline (IFP) prefetches the instruction stream, examines it to predict changes of flow, partially decodes instructions, and packages fetched data into instructions for the operand execution pipeline (OEP). The IFP can prefetch instructions before the OEP needs them, minimizing the wait for instructions. The instruction buffer is a 10 instruction, first-in-first-out (FIFO) buffer that decouples the IFP and OEP by holding prefetched instructions awaiting execution in the OEP. The OEP includes five pipeline stages: the first stage decodes instructions and selects operands (DS), and the second stage generates operand addresses (OAG). The third and fourth stages fetch operands (OC1 and OC2), and the fifth stage executes instructions (EX).

The ColdFire V4e processor contains a double-precision floating point unit (FPU). The FPU conforms to the American National Standards Institute (ANSI)/Institute of Electrical and Electronics Engineers (IEEE) *Standard for Binary Floating-Point Arithmetic* (ANSI/IEEE Standard 754). The FPU operates on 64-bit, double-precision floating point data and supports single-precision and signed integer input operands. The FPU programming model is like that in the MC68060 microprocessor. The FPU is intended to accelerate the performance of certain classes of embedded applications, especially those requiring high-speed floating point arithmetic computations.

The ColdFire V4e processor also incorporates the ColdFire memory management unit (MMU), which provides virtual-to-physical address translation and memory access control. The MMU consists of memory-mapped control, status, and fault registers that provide access to translation lookaside buffers

(TLBs). Software can control address translation and access attributes of a virtual address by configuring MMU control registers and loading TLBs. With software support, the MMU provides demand-paged, virtual addressing.

The ColdFire V4e core implements the ColdFire instruction set architecture revision B with support for floating Point instructions. Additionally, the ColdFire V4e core includes the enhanced multiply-accumulate unit (EMAC) for improved signal processing capabilities. The EMAC implements a 4-stage execution pipeline, optimized for 32 x 32-bit operations, with support for four 48-bit accumulators. Supported operands include 16- and 32-bit signed and unsigned integers, as well as signed fractional operands and a complete set of instructions to process these data types. The EMAC provides superb support for execution of DSP operations within the context of a single processor at a minimal hardware cost.

Refer to Chapter 3, “ColdFire Core,” for detailed information on the ColdFire V4e core architecture.

1.4.2 Debug Module (BDM)

The ColdFire processor core debug interface is provided to support system debugging in conjunction with low-cost debug and emulator development tools. Through a standard debug interface, users can access real-time trace and debug information. This allows the processor and system to be debugged at full speed without the need for costly in-circuit emulators.

The MCF547x debug module provides support in three different areas:

- Real-time trace support: The ability to determine the dynamic execution path through an application is fundamental for debugging. The ColdFire solution implements an 8-bit parallel output bus that reports processor execution status and data to an external BDM emulator system.
- Background debug mode (BDM): Provides low-level debugging in the ColdFire processor complex. In BDM, the processor complex is halted and a variety of commands can be sent to the processor to access memory and registers. The external BDM emulator uses a three-pin, serial, full-duplex channel.
- Real-time debug support: BDM requires the processor to be halted, which many real-time embedded applications cannot permit. Debug interrupts let real-time systems execute a unique service routine that can quickly save key register and variable contents and return the system to normal operation without halting. External development systems can access saved data, because the hardware supports concurrent operation of the processor and BDM-initiated commands. In addition, the option is provided to allow interrupts to occur.

1.4.3 JTAG

The MCF547x family supports circuit board test strategies based on the Test Technology Committee of IEEE and the Joint Test Action Group (JTAG). The test logic includes a test access port (TAP) consisting of a 16-state controller, an instruction register, and three test registers (a 1-bit bypass register, a 256-bit boundary-scan register, and a 32-bit ID register). The boundary scan register links the device’s pins into one shift register. Test logic, implemented using static logic design, is independent of the device system logic. The MCF547x implementation can do the following:

- Perform boundary scan operations to test circuit board electrical continuity
- Sample MCF547x system pins during operation and transparently shift out the result in the boundary scan register
- Bypass the MCF547x for a given circuit board test by effectively reducing the boundary-scan register to a single bit

- Disable the output drive to pins during circuit-board testing
- Drive output pins to stable levels

1.4.4 On-Chip Memories

1.4.4.1 Caches

There are two independent caches associated with the ColdFire V4e core complex: a 32-Kbyte instruction cache and a 32-Kbyte data cache. Caches improve system performance by providing single-cycle access to the instruction and data pipelines. This decouples processor performance from system memory performance, increasing bus availability for on-chip DMA or external devices.

1.4.4.2 System SRAM

The SRAM module provides a general-purpose 32-Kbyte memory block that the ColdFire core can access in a single cycle. The location of the memory block can be set to any 32-Kbyte address boundary within the 4-Gbyte address space. The memory is ideal for storing critical code or data structures, for use as the system stack, or for storing FEC data buffers. Because the SRAM module is physically connected to the processor's high-speed local bus, it can quickly service core-initiated accesses or memory-referencing commands from the debug module.

The SRAM module is also accessible by multiple non-core bus masters, such as the DMA controller, the encryption accelerator, and the PCI Controller.

1.4.5 PLL and Chip Clocking Options

MCF547x products contain an on-chip PLL capable of accepting input frequencies from 30–66.66 MHz. [Table 1-2](#) contains the frequencies of the system buses for the members of the MCF547x family under various core/SDRAM/PCI/Flexbus clocking options.

Table 1-2. MCF547x Family Clocking Options

Core (MHz)	Internal XLB, SDRAM Bus, and PSTCLK Frequency (MHz)	CLKIN—PCI and FlexBus Frequency (MHz)	Clock Ratio
240.0–266.66	120–133.33	30.0–33.3	1:4
120.0–266.66	60.0–133.33	30.0–66.66	1:2

1.4.6 Communications I/O Subsystem

1.4.6.1 DMA Controller

The communications subsystem contains an intelligent DMA unit that provides front line interrupt control and data movement interface via a separate peripheral bus to the on-chip peripheral functions, leaving the processor core free to handle higher level activities. This concurrent operation enables a significant boost in overall system performance.

The communications subsystem can support up to 16 simultaneously enabled DMA tasks, with support for up to two external DMA requests. It uses internal buffers to prefetch reads and post writes such that

bursting is used whenever possible. This optimizes both internal and external bus activity. The following communications and computer control peripheral functions are integrated and controlled by the communications subsystem:

- Up to two 10/100 Mbps fast Ethernet controllers (FECs)
- Optional universal serial bus (USB) version 2.0 device controller
- Up to four programmable serial controllers (PSCs)
- I²C peripheral interface
- DMA serial peripheral interface (DSPI)

1.4.6.2 10/100 Fast Ethernet Controller (FEC)

The FEC supports two standard MAC/PHY interfaces: 10/100 Mbps IEEE 802.3 MII and 10Mbps 7-wire interface. The controller is full duplex, supports a programmable maximum frame length and retransmission from the transmit FIFO following a collision.

Support for different Ethernet physical interfaces:

- 100 Mbps IEEE 802.3 MII
- 10 Mbps IEEE 802.3 MII
- 10 Mbps 7-wire interface
- IEEE 802.3 full-duplex flow control.
- Support for full-duplex operation (200 Mbps throughput) with a minimum system clock frequency of 50 MHz.
- Support for half duplex operation (100 Mbps throughput) with a minimum system clock frequency of 25 MHz.
- Retransmit from transmit FIFO following collision.
- Internal loopback for diagnostic purposes.

1.4.6.3 USB 2.0 Device (Universal Serial Bus)

The USB module implementation on the MCF547x product family provides all the logic necessary to process the USB protocol as defined by version 2.0 specification for peripheral devices. It features the following:

- High-speed operation up to 480 Mbps, full-speed operation at 12 Mbps, and low-speed operation at 1.5 Mbps
- Physical interface on chip
- Bulk, interrupt, and isochronous transport modes.
- Six programmable in/out endpoints and one control endpoint
- 4 Kbytes of shared endpoint FIFO RAM and 1 Kbyte of endpoint descriptor RAM

1.4.6.4 Programmable Serial Controllers (PSCs)

The MCF547x product family supports four PSCs that can be independently configured to operate in the following modes:

- Universal asynchronous receiver transmitter (UART) mode
 - 5,6,7,8 bits of data plus parity
 - Odd, even, none, or force parity
 - Stop bit width programmable in 1/16 bit increments

- Parity, framing, and overrun error detection
- Automatic $\overline{\text{PSCCTS}}$ and $\overline{\text{PSCRTS}}$ modem control signals
- IrDA 1.0 SIR mode (SIR)
 - Baud rate range of 2400–115200 bps
 - Selectable pulse width: either 3/16 of the bit duration or 1.6 μs
- IrDA 1.1 MIR mode (MIR)
 - Baud rate of 0.576 or 1.152 Mbps
- IrDA 1.1 FIR mode (FIR)
 - Baud rate of 4.0 Mbps
- 8-bit soft modem mode (modem8)
- 16-bit soft modem mode (modem16)
- AC97 soft modem mode (AC97)

Each PSC supports synchronous (USART) and asynchronous (UART) protocols. The PSCs can be used to interface to external full-function modems or external codecs for soft modem support, as well as IrDA 1.1 or 1.0 interfaces. Both 8- and 16-bit data widths are supported. PSCs can be configured to support a 1200-baud plain old telephone system (POTS) modem, V.34 or V.90 protocols. The standard UART interface supports connection to an external terminal/computer for debug support.

1.4.6.5 I²C (Inter-Integrated Circuit)

The MCF547x product family provides an I²C two-wire, bidirectional serial bus for on-board communication. It features the following:

- Multimaster operation with arbitration and collision detection
- Calling address recognition and interrupt generation
- Automatic switching from master to slave on arbitration loss
- Software-selectable acknowledge bit
- Start and stop signal generation and detection
- Bus busy status detection

1.4.6.6 DMA Serial Peripheral Interface (DSPI)

The DSPI block operates as a basic SPI block with FIFOs providing support for external queue operation. Data to be transmitted and data received reside in separate FIFOs. The FIFOs can be popped and pushed by host software or by the system DMA controller. The DSPI supports these SPI features:

- Full-duplex, three-wire synchronous transfers
- Master and slave mode—two peripheral chip selects in master mode
- DMA support

1.4.7 DDR SDRAM Memory Controller

The DDR SDRAM memory controller is a glueless interface to DDR memories. The module uses a 32-bit memory port and can address a maximum of 1 Gbyte of data with 16 64M x 8 (512-Mbit) devices, four per chip select. The controller supplies two clock lines and respective inverted clock lines to help minimize system complexity when using DDR. The module supports either DDR or SDR, but not both. This is due to voltage differences between the memory technologies.

The supported memory clock rate is up to 133 MHz. At this memory clock rate, DDR memory can receive data at an effective rate of up to 266 MHz.

- Support for up to 13 lines of row address, 11 lines of column address, two lines of bank address, and up to four chip selects
- Memory bus width fixed at 32 bits
- Four chip selects support up to 1 GByte of SDRAM memory
- Support for page mode to maximize the data rate. Page mode remembers active pages for all four chip selects
- Support for sleep mode and self refresh
- Cache line reads that can use critical word first. These reads can start in the center of a burst and will wrap to the beginning. This allows the processor quicker access to a needed instruction.

All on-chip bus masters have access to DRAM. This includes PCI, the ColdFire V4e core, the cryptography accelerator, and the DMA controller.

1.4.8 Peripheral Component Interconnect (PCI)

The PCI controller is a PCI V2.2-compliant bus controller and arbiter. The PCI bus is capable of 66-MHz operation with a 32-bit address/data bus and support for five external masters.

The PCI module includes an inbound FIFO to increase performance when using an external bus master. The bus can address all 4 Gbytes of PCI-addressable space.

The PCI bus is also multiplexed with the flexible local bus (FlexBus) address lines. If 32-bit non-muxed local address and data is required, it can be obtained at the expense of utilizing the PCI bus.

When implemented, the PCI controller acts as the central resource, bus arbiter, and configuring master on the PCI bus.

1.4.9 Flexible Local Bus (FlexBus)

The FlexBus module is intended to provide the user with basic functionality required to interface to peripheral devices. The FlexBus interface is a multiplexed or non-multiplexed bus, with an operating frequency from 33–66 MHz. The Flexbus is targeted to support external Flash memories, boot ROMs, gate-array logic, or other simple target interfaces. Up to six chip selects are supported by the FlexBus.

Possible combinations of address and data bits are the following:

- Non-multiplexed 32-bit address and 32-bit data (32-bit address muxed over PCI bus—PCI not usable)
- Multiplexed 32-bit address and 32-bit data (PCI usable)
- Multiplexed 32-bit address and 16-bit data
- Multiplexed 32-bit address and 8-bit data

The non-multiplexed 32-bit address and 32-bit data mode is determined at chip reset. For all other modes, the full 32-bit address is driven during the address phase. The number of bytes used for data are determined on a chip select by chip select basis.

1.4.10 Security Encryption Controller (SEC)

As consumers and businesses continue to embrace the Internet, the need for secure point-to-point communications across what is an entirely insecure network has been met by the development of a range of standard protocols. Computer cryptography fundamentally involves calculations with very large

numbers. Personal computers have sufficient processing power to implement these algorithms entirely in software. When placed upon the embedded devices typically used for routing and remote access functions, this same computational burden can potentially decrease the throughput of a 100 Mbps Ethernet interface down to 10 Mbps.

Hardware acceleration of common cryptography algorithms is the solution to the computational bandwidth requirements of Internet security standards. Discrete solutions currently address this problem, but the next logical step is to integrate a cryptography accelerator on an embedded processor, such as the MCF547x family.

Freescale has developed the SEC on the MCF547x family for this purpose. This block accelerates the core cryptography algorithms that underlie standard Internet security protocols like SSL/TLS, IPSec, IKE, and WTLS/WAP.

- The SEC includes execution units for the following:
 - DES/3DES block cipher
 - AES block cipher
 - RC4 stream cipher
 - MD5/SHA-1/SHA-256/HMAC hashing
 - Random number generator compliant with FIPS 140-1 standards for randomness and non-determinism
- Dual-channel architecture permits single-pass encryption and authentication

1.4.11 System Integration Unit (SIU)

1.4.11.1 Timers

The MCF547x family integrates several timer functions required by most embedded systems. Two internal 32-bit slice timers create short cycle periodic interrupts, typically utilized for RTOS scheduling and alarm functionality. A watchdog timer resets the processor if not regularly serviced, catching software hang-ups. Four 32-bit general purpose timers can perform input capture, output compare, and PWM functionality.

1.4.11.2 Interrupt Controller

The interrupt controller on the MCF547x family can support up to 63 interrupt sources. The interrupt controller is organized as seven levels with nine interrupt sources per level. Each interrupt source has a unique interrupt vector, and 56 of the 63 sources of a given controller provide a programmable level [1-7] and priority within the level.

- Support for up to 63 interrupt sources organized as follows:
 - 56 fully-programmable interrupt sources
 - 7 fixed-level interrupt sources
- Seven external interrupt signals
- Unique vector number for each interrupt source
- Ability to mask any individual interrupt source or all interrupt sources (global mask-all)
- Support for hardware and software interrupt acknowledge (IACK) cycles
- Combinatorial path to provide wake-up from stop mode

1.4.11.3 General Purpose I/O

All peripheral I/O pins on the MCF547x family are multiplexed with GPIO, adding flexibility and usability to all signals on the chip.



Chapter 2

Signal Descriptions

2.1 Introduction

This chapter describes the MCF547x signals.

NOTE

The terms ‘assertion’ and ‘negation’ are used to avoid confusion when dealing with a mixture of active-low and active-high signals. The term ‘asserted’ indicates that a signal is active, independent of the voltage level. The term ‘negated’ indicates that a signal is inactive.

Active-low signals, such as $\overline{\text{RAS}}$ and $\overline{\text{TA}}$, are indicated with an overbar.

2.1.1 Block Diagram

[Figure 2-1](#) displays the signals of the MCF547x.

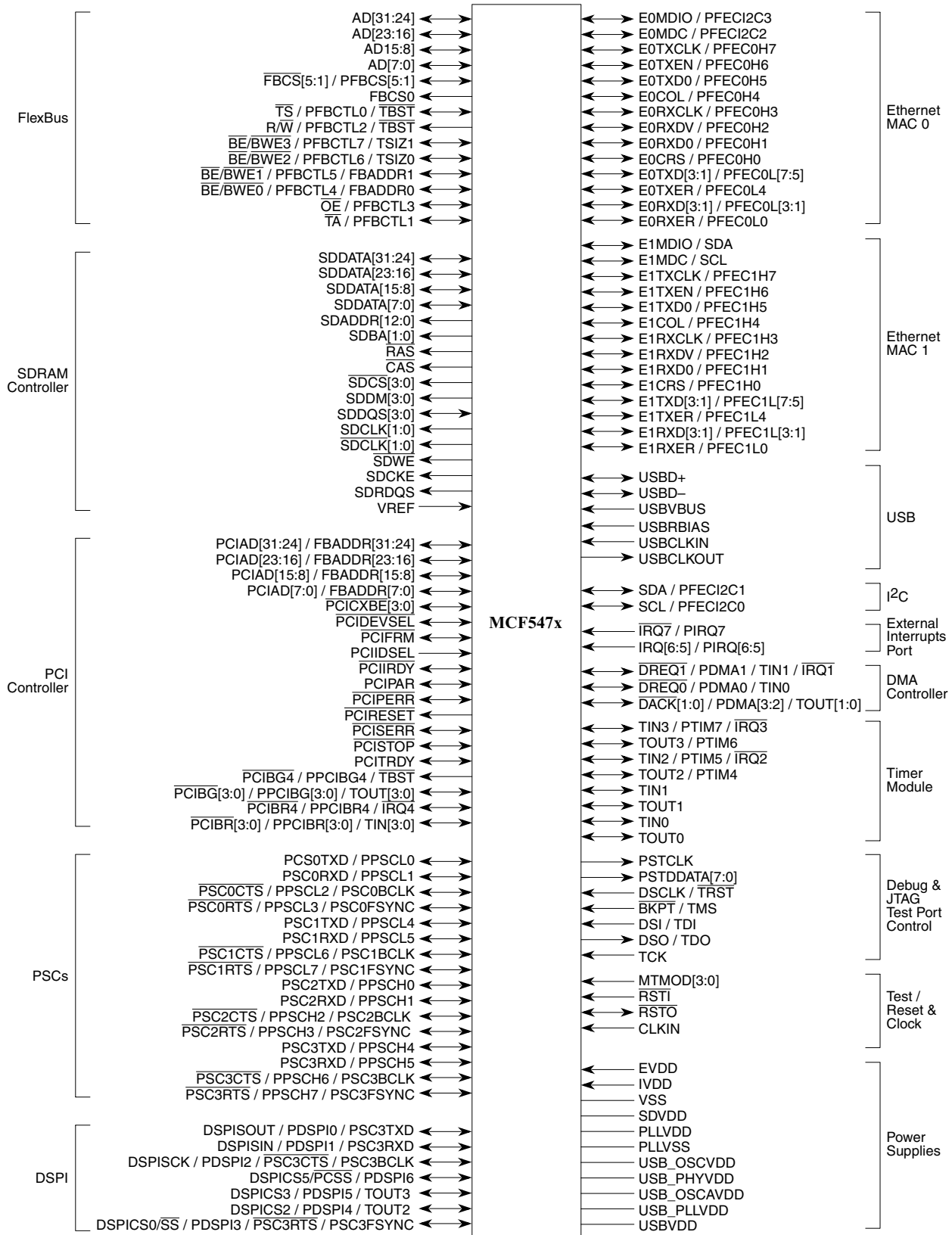


Figure 2-1. MCF547x Signals

Table 2-1 lists the signals for the MCF547x in functional group order.

Table 2-1. MCF547x Signal Description

PBGA Pin	Pin Functions				Description	I/O	Drive	Reset State
	Primary	GPIO	Secondary	Tertiary				
FlexBus								
AE2, AF3, AF1, AE3, AE4, AD5, AF2, AD4	AD[31:24]	—	—	—	Multiplexed address/data bus	I/O	16	Hi-Z
AD3, AC3, AD2, AC2, AA4, AE1, AC1, AD1	AD[23:16]	—	—	—	Multiplexed address/data bus	I/O	16	Hi-Z
AB2, AA3, W4, AB1, AA2, AA1, Y1, Y2	AD[15:8]	—	—	—	Multiplexed address/data bus	I/O	16	Hi-Z
W3, W1, W2, V3, V1, V2, T4, U3	AD[7:0]	—	—	—	Multiplexed address/data bus	I/O	16	Hi-Z
R1, T2, T3, T1, U2	$\overline{\text{FBCS}}[5:1]$	PFBCS[5:1]	—	—	Chip selects 5–1	O:I/O	24	High
U1	FBCS0	—	—	—	Chip select 0	O	24	High
AD6	$\overline{\text{ALE}}$	PFBCTL0	$\overline{\text{TBST}}$	—	Transfer start	O:I/O	16	High
AE5	$\overline{\text{R/W}}$	PFBCTL2	$\overline{\text{TBST}}$	—	Read/write	O:I/O	16	Hi-Z
AF4	$\overline{\text{BE/BWE}}3$	PFBCTL7	$\overline{\text{TSIZ}}1$	—	Byte enables	O:I/O	16	High
AF5	$\overline{\text{BE/BWE}}2$	PFBCTL6	$\overline{\text{TSIZ}}0$	—	Byte enables	O:I/O	16	High
AC4	$\overline{\text{BE/BWE}}1$	PFBCTL5	$\overline{\text{FBADDR}}1$	—	Byte enables	O:I/O	16	High
AE7	$\overline{\text{BE/BWE}}0$	PFBCTL4	$\overline{\text{FBADDR}}0$	—	Byte enables	O:I/O	16	High
AE6	$\overline{\text{OE}}$	PFBCTL3	—	—	Output enable	O:I/O	16	High
AF6	$\overline{\text{TA}}$	PFBCTL1	—	—	Transfer acknowledge	I:I/O	16	—
SDRAM Controller								
C10, B9, A8, D5, A6, C8, B7, A5	$\overline{\text{SDDATA}}[31:24]$	—	—	—	SDRAM data bus	I/O	24	Hi-Z
A4, C7, B6, B4, C5, B3, C4, D4	$\overline{\text{SDDATA}}[23:16]$	—	—	—	SDRAM data bus	I/O	24	Hi-Z
E2, D1, G4, E1, K4, F1, G2, H3	$\overline{\text{SDDATA}}[15:8]$	—	—	—	SDRAM data bus	I/O	24	Hi-Z

¹This pin is a “no connect” on the MCF5473 and MCF5472 devices.

²This pin is a “no connect” on the MCF5471 and MCF5470 devices.

³This pin is a “no connect” on the MCF5471 and MCF5470 devices. On MCF5475, MCF5474, MCF5473, and MCF5472 device the pin should be connected to the appropriate power rail even if USB is not being used.

Table 2-1. MCF547x Signal Description (Continued)

PBGA Pin	Pin Functions				Description	I/O	Drive	Reset State
	Primary	GPIO	Secondary	Tertiary				
N4, G1, H2, J3, J1, M4, K3, K2	$\overline{\text{SDDATA}}[7:0]$	—	—	—	SDRAM data bus	I/O	24	Hi-Z
A13, A12, D10, B12, C12, A11, D8, B11, C11, A10, D7, B10, A9	$\overline{\text{SDADDR}}[12:0]$	—	—	—	SDRAM address bus	O	24	Low
M2, M3	$\overline{\text{SDBA}}[1:0]$	—	—	—	SDRAM bank addresses	O	24	Low
E3	$\overline{\text{RAS}}$	—	—	—	SDRAM row address strobe	O	24	High
C2	$\overline{\text{CAS}}$	—	—	—	SDRAM column address strobe	O	24	High
R2, P2, P1, N3	$\overline{\text{SDCS}}[3:0]$	—	—	—	SDRAM chip selects	O	24	High
B8, A3, G3, J2	$\text{SDDM}[3:0]$	—	—	—	SDRAM write data byte mask	O	24	High
A7, B5, F2, H1	$\text{SDDQS}[3:0]$	—	—	—	SDRAM data strobe	I/O	24	High
L1, N1	$\text{SDCLK}[1:0]$	—	—	—	SDRAM clock	O	24	Low
M1, N2	$\overline{\text{SDCLK}}[1:0]$	—	—	—	Inverted SDRAM clock	O	24	Low
K1	$\overline{\text{SDWE}}$	—	—	—	SDRAM write enable	O	24	Low
E4	SDCKE	—	—	—	SDRAM clock enable	O	24	Low
L2	SDRDQS	—	—	—	SDR SDRAM data strobe	O	24	Low
D2	VREF	—	—	—	SDRAM reference voltage	I	—	—
PCI Controller								
V25, V26, U25, U26, T24, T25, T26, R24	$\text{PCIAD}[31:24]$	—	$\text{FBADDR}[31:24]$	—	PCI address/data bus	I/O	16	Hi-Z
R25, R26, P26, P24, P23, P25, N25, N23	$\text{PCIAD}[23:16]$	—	$\text{FBADDR}[23:16]$	—	PCI address/data bus	I/O	16	Hi-Z

¹This pin is a “no connect” on the MCF5473 and MCF5472 devices.

²This pin is a “no connect” on the MCF5471 and MCF5470 devices.

³This pin is a “no connect” on the MCF5471 and MCF5470 devices. On MCF5475, MCF5474, MCF5473, and MCF5472 device the pin should be connected to the appropriate power rail even is USB is not being used.

Table 2-1. MCF547x Signal Description (Continued)

PBGA Pin	Pin Functions				Description	I/O	Drive	Reset State
	Primary	GPIO	Secondary	Tertiary				
N26, N24, M26, M25, L26, L25, K26, K25	PCIAD[15:8]	—	FBADDR[15:8]	—	PCI address/data bus	I/O	16	Hi-Z
J26, K24, J25, H26, J24, G26, H25, K23	PCIAD[7:0]	—	FBADDR[7:0]	—	PCI address/data bus	I/O	16	Hi-Z
F26, G25, E26, G24	$\overline{\text{PCICXBE}}[3:0]$	—	—	—	PCI command/byte enables	I/O	16	Hi-Z
J23	$\overline{\text{PCIDEVSEL}}$	—	—	—	PCI device select	I/O	16	Hi-Z
F25	$\overline{\text{PCIFRM}}$	—	—	—	PCI frame	I/O	16	Hi-Z
C23	PCIIDSEL	—	—	—	PCI initialization device select	I	—	—
D24	$\overline{\text{PCIIRDY}}$	—	—	—	PCI initiator ready	I/O	16	Hi-Z
F23	PCIPAR	—	—	—	PCI parity	I/O	16	Hi-Z
D26	$\overline{\text{PCIPERR}}$	—	—	—	PCI parity error	I/O	16	Hi-Z
G23	$\overline{\text{PCIRESET}}$	—	—	—	PCI reset	O	16	Low
F24	$\overline{\text{PCISERR}}$	—	—	—	PCI system error	I/O	16	Hi-Z
E25	$\overline{\text{PCISTOP}}$	—	—	—	PCI stop	I/O	16	Hi-Z
C26	PCITRDY	—	—	—	PCI target ready	I/O	16	Hi-Z
W24	$\overline{\text{PCIBG4}}$	PPCIBG4	$\overline{\text{TBST}}$	—	PCI external grant 4	O:I/O	16	GPI
Y26, W25, V24, W26	$\overline{\text{PCIBG}}[3:0]$	PPCIBG[3:0]	TOUT[3:0]	—	PCI external grant 3–0	O:I/O	16	GPI
D21	$\overline{\text{PCIBR4}}$	$\overline{\text{PPCIBR4}}$	$\overline{\text{IRQ4}}$	—	PCI external request 4	I:I/O	8	GPI
B24, A25, B23, A24	$\overline{\text{PCIBR}}[3:0]$	$\overline{\text{PPCIBR}}[3:0]$	TIN[3:0]	—	PCI external request 3	I:I/O	8	GPI
External Interrupts Port								
D14	$\overline{\text{IRQ7}}$	PIRQ7	—	—	External interrupt request 7	I:I/O	—	—
B14, A14	IRQ[6:5]	PIRQ[6:5]	—	—	External interrupt request 6—5	I:I/O	—	—
Ethernet MAC 0								

¹This pin is a “no connect” on the MCF5473 and MCF5472 devices.

²This pin is a “no connect” on the MCF5471 and MCF5470 devices.

³This pin is a “no connect” on the MCF5471 and MCF5470 devices. On MCF5475, MCF5474, MCF5473, and MCF5472 device the pin should be connected to the appropriate power rail even if USB is not being used.

Table 2-1. MCF547x Signal Description (Continued)

PBGA Pin	Pin Functions				Description	I/O	Drive	Reset State
	Primary	GPIO	Secondary	Tertiary				
AF10	E0MDIO	PFECI2C3	—	—	Management channel serial data	I/O	8	GPI
AD11	E0MDC	PFECI2C2	—	—	Management channel clock	O:I/O	8	GPI
AF9	E0TXCLK	PFEC0H7	—	—	MAC transmit clock	I:I/O	8	GPI
AE10	E0TXEN	PFEC0H6	—	—	MAC transmit enable	O:I/O	8	GPI
AD9	E0TXD0	PFEC0H5	—	—	MAC transmit data	O:I/O	8	GPI
AC9	E0COL	PFEC0H4	—	—	MAC collision	I:I/O	8	GPI
AD14	E0RXCLK	PFEC0H3	—	—	MAC receive clock	I:I/O	8	GPI
AE14	E0RXDV	PFEC0H2	—	—	MAC receive enable	I:I/O	8	GPI
AD13	E0RXD0	PFEC0H1	—	—	MAC receive data	I:I/O	8	GPI
AE19	E0CRS	PFEC0H0	—	—	MAC carrier sense	I:I/O	8	GPI
AD8, AC6, AF7	E0TXD[3:1]	PFEC0L[7:5]	—	—	MAC transmit data	O:I/O	8	GPI
AE9	E0TXER	PFEC0L4	—	—	MAC transmit error	O:I/O	8	GPI
AF11, AF12, AF13	E0RXD[3:1]	PFEC0L[3:1]	—	—	MAC receive data	I:I/O	8	GPI
AC14	E0RXER	PFEC0L0	—	—	MAC receive error	I:I/O	8	GPI
Ethernet MAC 1								
AE25 ¹	E1MDIO	—	SDA	—	Management channel serial data	I/O	8	—
AD24 ¹	E1MDC	—	SCL	—	Management channel clock	O:I/O	8	—
AE13 ¹	E1TXCLK	PFEC1H7	—	—	MAC Transmit clock	I:I/O	8	GPI
AD25 ¹	E1TXEN	PFEC1H6	—	—	MAC Transmit enable	O:I/O	8	GPI
AE12 ¹	E1TXD0	PFEC1H5	—	—	MAC Transmit data	O:I/O	8	GPI
AF8 ¹	E1COL	PFEC1H4	—	—	MAC Collision	I:I/O	8	GPI
B22 ¹	E1RXCLK	PFEC1H3	—	—	MAC Receive clock	I:I/O	8	GPI

¹This pin is a “no connect” on the MCF5473 and MCF5472 devices.

²This pin is a “no connect” on the MCF5471 and MCF5470 devices.

³This pin is a “no connect” on the MCF5471 and MCF5470 devices. On MCF5475, MCF5474, MCF5473, and MCF5472 device the pin should be connected to the appropriate power rail even if USB is not being used.

Table 2-1. MCF547x Signal Description (Continued)

PBGA Pin	Pin Functions				Description	I/O	Drive	Reset State
	Primary	GPIO	Secondary	Tertiary				
B25 ¹	E1RXDV	PFEC1H2	—	—	MAC Receive enable	I:I/O	8	GPI
AF24 ¹	E1RXD0	PFEC1H1	—	—	MAC Receive data	I:I/O	8	GPI
AC5 ¹	E1CRS	PFEC1H0	—	—	MAC Carrier sense	I:I/O	8	GPI
AC8 ¹ , AC11 ¹ , AE11 ¹	E1TXD[3:1]	PFEC1L[7:5]	—	—	MAC Transmit data	O:I/O	8	GPI
AE24 ¹	E1TXER	PFEC1L4	—	—	MAC Transmit error	O:I/O	8	GPI
D25 ¹ , B26 ¹ , A26 ¹	E1RXD[3:1]	PFEC1L[3:1]	—	—	MAC Receive data	I:I/O	8	GPI
AE8 ¹	E1RXER	PFEC1L0	—	—	MAC Receive error	I:I/O	8	GPI
USB								
AF16 ²	USB D+	—	—	—	USB differential data	I/O	24	—
AF17 ²	USB D-	—	—	—	USB differential data	I/O	24	—
AC17 ²	USBV BUS	—	—	—	USB Vbus monitor input	I	—	—
AF18	USB RBIAS	—	—	—	USB bias resistor	I	—	—
AF15 ²	USBCLKIN	—	—	—	USB crystal input	I	—	—
AF14 ²	USBCLKOUT	—	—	—	USB crystal output	O	24	—
DSPI								
Y24	DSPISOUT	PDSP10	PSC3TXD	—	QSPI data out	O:I/O	24	GPI
AC24	DSPISIN	PDSP11	PSC3RXD	—	QSPI data in	I:I/O	24	GPI
AD22	DSPISCK	PDSP12	$\overline{\text{PSC3CTS}}$	PSC3BCLK	QSPI clock	I/O	24	GPI
W23	DSPICS5/ $\overline{\text{PCSS}}$	PDSP16	—	—	QSPI chip select	O:I/O	24	GPI
V23	DSPICS3	PDSP15	TOUT3	—	QSPI chip select	O:I/O	24	GPI
AA26	DSPICS2	PDSP14	TOUT2	—	QSPI chip select	O:I/O	24	GPI
Y25	DSPICS0/ $\overline{\text{SS}}$	PDSP13	$\overline{\text{PSC3RTS}}$	PSC3FSYNC	QSPI chip select	O:I/O	24	GPI
I²C								

¹This pin is a “no connect” on the MCF5473 and MCF5472 devices.

²This pin is a “no connect” on the MCF5471 and MCF5470 devices.

³This pin is a “no connect” on the MCF5471 and MCF5470 devices. On MCF5475, MCF5474, MCF5473, and MCF5472 device the pin should be connected to the appropriate power rail even if USB is not being used.

Table 2-1. MCF547x Signal Description (Continued)

PBGA Pin	Pin Functions				Description	I/O	Drive	Reset State
	Primary	GPIO	Secondary	Tertiary				
C24	SDA	PFECI2C1	—	—	I ² C Serial data	I/O	8	GPI
C25	SCL	PFECI2C0	—	—	I ² C Serial clock	I/O	8	GPI
PSCs								
AA25	PSC0TXD	PPSC1PSC00	—	—	PSC0 transmit data	O:I/O	8	GPI
AC21	PSC0RXD	PPSC1PSC01	—	—	PSC0 receive data	I:I/O	8	GPI
AE23	$\overline{\text{PSC0CTS}}$	PPSC1PSC03	PSC0BCLK	—	PSC0 clear to send	I:I/O	8	GPI
AB26	$\overline{\text{PSC0RTS}}$	PPSC1PSC02	PSC0FSYNC	—	PSC0 request to send	I/O	8	GPI
AB25	PSC1TXD	PPSC1PSC04	—	—	PSC1 transmit data	O:I/O	8	GPI
AE22	PSC1RXD	PPSC1PSC05	—	—	PSC1 receive data	I:I/O	8	GPI
AF25	$\overline{\text{PSC1CTS}}$	PPSC1PSC07	PSC1BCLK	—	PSC1 clear to send	I:I/O	8	GPI
Y23	$\overline{\text{PSC1RTS}}$	PPSC1PSC06	PSC1FSYNC	—	PSC1 request to send	I/O	8	GPI
AC26	PSC2TXD	PPSC3PSC20	—	—	PSC2 transmit data	O:I/O	8	GPI
AD21	PSC2RXD	PPSC3PSC21	—	—	PSC2 receive data	I:I/O	8	GPI
AC19	$\overline{\text{PSC2CTS}}$	PPSC3PSC23	PSC2BCLK	—	PSC2 clear to send	I:I/O	8	GPI
AD26	$\overline{\text{PSC2RTS}}$	PPSC3PSC22	PSC2FSYNC	—	PSC2 request to send	I/O	8	GPI
AE26	PSC3TXD	PPSC3PSC24	—	—	PSC3 transmit data	O:I/O	8	GPI
AE21	PSC3RXD	PPSC3PSC25	—	—	PSC3 receive data	I:I/O	8	GPI
AF23	$\overline{\text{PSC3CTS}}$	PPSC3PSC27	PSC3BCLK	—	PSC3 clear to send	I:I/O	8	GPI
AB23	$\overline{\text{PSC3RTS}}$	PPSC3PSC26	PSC3FSYNC	—	PSC3 request to send	I/O	8	GPI
DMA Controller								
AF19	$\overline{\text{DREQ1}}$	PDMA1	TIN1	$\overline{\text{IRQ1}}$	DMA request	I:I/O	8	GPI
AF20	$\overline{\text{DREQ0}}$	PDMA0	TIN0	—	DMA request	I:I/O	8	GPI
AC25, AB24	$\overline{\text{DACK}}[1:0]$	PDMA[3:2]	TOUT[1:0]	—	DMA acknowledge	O:I/O	8	GPI
Timer Module								
AD19	$\overline{\text{TIN3}}$	PTIM7	$\overline{\text{IRQ3}}$	—	Timer input	I:I/O	8	GPI

¹This pin is a “no connect” on the MCF5473 and MCF5472 devices.

²This pin is a “no connect” on the MCF5471 and MCF5470 devices.

³This pin is a “no connect” on the MCF5471 and MCF5470 devices. On MCF5475, MCF5474, MCF5473, and MCF5472 device the pin should be connected to the appropriate power rail even is USB is not being used.

Table 2-1. MCF547x Signal Description (Continued)

PBGA Pin	Pin Functions				Description	I/O	Drive	Reset State
	Primary	GPIO	Secondary	Tertiary				
AD23	$\overline{\text{TOUT3}}$	PTIM6	—	—	Timer output	O:I/O	8	GPI
AF21	TIN2	PTIM5	$\overline{\text{IRQ2}}$	—	Timer input	I:I/O	8	GPI
AC22	TOUT2	PTIM4	—	—	Timer output	O:I/O	8	GPI
AE20	TIN1	—	—	—	Timer input	I	8	GPI
AC23	TOUT1	—	—	—	Timer output	O	8	GPI
AF22	TIN0	—	—	—	Timer input	I	8	GPI
AF26	TOUT0	—	—	—	Timer output	O	8	GPI
Debug and JTAG Test Port Control								
D20	PSTCLK	—	—	—	Processor clock output	O	8	High
A23, B21, D18, C20, A22, B20, A21, B19	PSTDDATA[7:0]	—	—	—	Processor status debug data	O	8	High
C15	DSCLK	—	$\overline{\text{TRST}}$	—	Debug clock / TAP reset	I	—	—
B15	$\overline{\text{BKPT}}$	—	TMS	—	Breakpoint/TAP test mode select	I	—	—
A15	DSI	—	TDI	—	Debug data in / TAP data in	I	—	—
D17	DSO	—	TDO	—	Debug data out / TAP data out	O	8	High
A16	TCK	—	—	—	TAP clock	I	—	—
Test, Reset, and Clock								
B17, C14, A18, B16	MTMOD[3:0]	—	—	—	Test mode pins	I	—	—
B13	$\overline{\text{RSTI}}$	—	—	—	Reset input	I	—	—
A20	$\overline{\text{RSTO}}$	—	—	—	Reset output	O	8	Low
A17	CLKIN	—	—	—	Clock input	I	—	—
D15	NC	—	—	—	No Connect	I	—	—
AC15	NC	—	—	—	No Connect	I	—	—

¹This pin is a “no connect” on the MCF5473 and MCF5472 devices.

²This pin is a “no connect” on the MCF5471 and MCF5470 devices.

³This pin is a “no connect” on the MCF5471 and MCF5470 devices. On MCF5475, MCF5474, MCF5473, and MCF5472 device the pin should be connected to the appropriate power rail even if USB is not being used.

Table 2-1. MCF547x Signal Description (Continued)

PBGA Pin	Pin Functions				Description	I/O	Drive	Reset State
	Primary	GPIO	Secondary	Tertiary				
Power Supplies								
C16, C22, E24, H24, M24, R3, U24, Y3, AA24, AB3, AD7, AD10, AD18	EVDD	—	—	—	Positive I/O supply	I	—	—
C18, D11, D12, D19, D22, H4, H23, L23, P4, R23, V4, AA23, AC12, AC20	IVDD	—	—	—	Positive core supply	I	—	—
A2, B2, C3, C17, C19, C21, D6, D9, D13, D16, D23, E23, F4, J4, L4, L11, L12, L13, L14, L15, L16, L24, M11, M12, M13, M14, M15, M16, M23, N11, N12, N13, N14, N15, N16, P11, P12, P13, P14, P15, P16, R4, R11, R12, R13, R14, R15, R16, T11, T12, T13, T14, T15, T16, T23, U4, U23, Y4, AB4, AC7, AC10, AC18, AD12, AD17, AD20, AE15, AE16, AE17	VSS	—	—		Ground			
A1, B1, C1, C6, C9, C13, D3, F3, L3, P3	SDVDD	—	—	—	Positive SDRAM supply			
A19	PLLVD	—	—	—	Positive PLL analog supply			
B18	PLLVSS	—	—	—	PLL ground			

¹This pin is a “no connect” on the MCF5473 and MCF5472 devices.

²This pin is a “no connect” on the MCF5471 and MCF5470 devices.

³This pin is a “no connect” on the MCF5471 and MCF5470 devices. On MCF5475, MCF5474, MCF5473, and MCF5472 device the pin should be connected to the appropriate power rail even is USB is not being used.

Table 2-1. MCF547x Signal Description (Continued)

PBGA Pin	Pin Functions				Description	I/O	Drive	Reset State
	Primary	GPIO	Secondary	Tertiary				
AC13 ³	USB_OSCVDD	—	—	—	USB oscillator supply			
AC16 ³	USB_PHYVDD	—	—	—	USB PHY supply			
AD15 ³	USB_OSCAVDD	—	—	—	USB oscillator analog supply			
AD16 ³	USB_PLLVDD	—	—	—	USB PLL supply			
AE18 ³	USBVDD	—	—	—	USB supply			

¹This pin is a “no connect” on the MCF5473 and MCF5472 devices.

²This pin is a “no connect” on the MCF5471 and MCF5470 devices.

³This pin is a “no connect” on the MCF5471 and MCF5470 devices. On MCF5475, MCF5474, MCF5473, and MCF5472 device the pin should be connected to the appropriate power rail even is USB is not being used.

Table 2-2 lists the MCF547x signals in pin number order for the 388 MAPBGA package.

Table 2-2. MCF5475/MCF5474 Signal Description by Pin Number

PBGA Pin	Pin Functions				MAPBGA Pin	Pin Functions			
	Primary	GPIO	Secondary	Tertiary		Primary	GPIO	Secondary	Tertiary
A1	SDVDD	—	—	—	P1	$\overline{\text{SDCS1}}$	—	—	—
A2	VSS	—	—	—	P2	$\overline{\text{SDCS2}}$	—	—	—
A3	SDDM2	—	—	—	P3	SDVDD	—	—	—
A4	SDDATA23	—	—	—	P4	$\overline{\text{IVDD}}$	—	—	—
A5	SDDATA24	—	—	—	P11	VSS	—	—	—
A6	SDDATA27	—	—	—	P12	VSS	—	—	—
A7	SDDQS3	—	—	—	P13	VSS	—	—	—
A8	SDDATA29	—	—	—	P14	VSS	—	—	—
A9	SDADDR0	—	—	—	P15	VSS	—	—	—
A10	SDADDR3	—	—	—	P16	VSS	—	—	—
A11	SDADDR7	—	—	—	P23	PCIAD19	—	FBADDR19	—
A12	SDADDR11	—	—	—	P24	PCIAD20	—	FBADDR20	—
A13	SDADDR12	—	—	—	P25	PCIAD18	—	FBADDR18	—
A14	$\overline{\text{IRQ5}}$	PIRQ5	—	—	P26	PCIAD21	—	FBADDR21	—

¹This pin is a “no connect” on the MCF5473 and MCF5472 devices.

²This pin is a “no connect” on the MCF5471 and MCF5470 devices.

³This pin is a “no connect” on the MCF5471 and MCF5470 devices. On MCF5475, MCF5474, MCF5473, and MCF5472 device the pin should be connected to the appropriate power rail even is USB is not being used.

Table 2-2. MCF5475/MCF5474 Signal Description by Pin Number (Continued)

PBGA Pin	Pin Functions				MAPBGA Pin	Pin Functions			
	Primary	GPIO	Secondary	Tertiary		Primary	GPIO	Secondary	Tertiary
A15	$\overline{\text{DSI}}$	—	TDI	—	R1	$\overline{\text{FBCS5}}$	PFBCS5	—	—
A16	$\overline{\text{TCK}}$	—	—	—	R2	$\overline{\text{SDCS3}}$	—	—	—
A17	CLKIN	—	—	—	R3	EVDD	—	—	—
A18	MTMOD1	—	—	—	R4	VSS	—	—	—
A19	$\overline{\text{PLLVD}}$	—	—	—	R11	VSS	—	—	—
A20	$\overline{\text{RSTO}}$	—	—	—	R12	VSS	—	—	—
A21	$\overline{\text{PSTDDATA1}}$	—	—	—	R13	VSS	—	—	—
A22	$\overline{\text{PSTDDATA3}}$	—	—	—	R14	VSS	—	—	—
A23	$\overline{\text{PSTDDATA7}}$	—	—	—	R15	VSS	—	—	—
A24	$\overline{\text{PCIBR0}}$	PPCIBR0	TIN0	—	R16	VSS	—	—	—
A25	$\overline{\text{PCIBR2}}$	PPCIBR2	TIN2	—	R23	IVDD	—	—	—
A26 ¹	E1RXD1	PFEC1L5	—	—	R24	PCIAD24	—	FBADDR24	—
B1	SDVDD	—	—	—	R25	PCIAD23	—	FBADDR23	—
B2	VSS	—	—	—	R26	PCIAD22	—	FBADDR22	—
B3	SDDATA18	—	—	—	T1	$\overline{\text{FBCS2}}$	PFBCS2	—	—
B4	SDDATA20	—	—	—	T2	$\overline{\text{FBCS4}}$	PFBCS4	—	—
B5	$\overline{\text{SDDQS2}}$	—	—	—	T3	$\overline{\text{FBCS3}}$	PFBCS3	—	—
B6	$\overline{\text{SDDATA21}}$	—	—	—	T4	AD1	—	—	—
B7	SDDATA25	—	—	—	T11	VSS	—	—	—
B8	SDDM3	—	—	—	T12	VSS	—	—	—
B9	SDDATA30	—	—	—	T13	VSS	—	—	—
B10	SDADDR1	—	—	—	T14	VSS	—	—	—
B11	SDADDR5	—	—	—	T15	VSS	—	—	—
B12	SDADDR9	—	—	—	T16	VSS	—	—	—
B13	RSTI	—	—	—	T23	VSS	—	—	—
B14	$\overline{\text{IRQ6}}$	PIRQ6	—	—	T24	PCIAD27	—	FBADDR27	—
B15	$\overline{\text{BKPT}}$	—	TMS	—	T25	PCIAD26	—	FBADDR26	—
B16	MTMOD0	—	—	—	T26	PCIAD25	—	FBADDR25	—

¹This pin is a “no connect” on the MCF5473 and MCF5472 devices.

²This pin is a “no connect” on the MCF5471 and MCF5470 devices.

³This pin is a “no connect” on the MCF5471 and MCF5470 devices. On MCF5475, MCF5474, MCF5473, and MCF5472 device the pin should be connected to the appropriate power rail even is USB is not being used.

Table 2-2. MCF5475/MCF5474 Signal Description by Pin Number (Continued)

PBGA Pin	Pin Functions				MAPBGA Pin	Pin Functions			
	Primary	GPIO	Secondary	Tertiary		Primary	GPIO	Secondary	Tertiary
B17	MTMOD3	—	—	—	U1	$\overline{\text{FBCS0}}$	—	—	—
B18	PLLVSS	—	—	—	U2	$\overline{\text{FBCS1}}$	PFBCS1	—	—
B19	PSTDDATA0	—	—	—	U3	AD0	—	—	—
B20	$\overline{\text{PSTDDATA2}}$	—	—	—	U4	$\overline{\text{VSS}}$	—	—	—
B21	PSTDDATA6	—	—	—	U23	$\overline{\text{VSS}}$	—	—	—
B22 ¹	$\overline{\text{E1RXCLK}}$	PFEC1H3	—	—	U24	$\overline{\text{EVDD}}$	—	—	—
B23	$\overline{\text{PCIBR1}}$	PPCIBR1	TIN1	—	U25	$\overline{\text{PCIAD29}}$	—	FBADDR29	—
B24	$\overline{\text{PCIBR3}}$	PPCIBR3	TIN3	—	U26	PCIAD28	—	FBADDR28	—
B25 ¹	E1RXDV	PFEC1H2	—	—	V1	AD3	—	—	—
B26 ¹	$\overline{\text{E1RXD2}}$	PFEC1L2	—	—	V2	AD2	—	—	—
C1	SDVDD	—	—	—	V3	AD4	—	—	—
C2	$\overline{\text{CAS}}$	—	—	—	V4	IVDD	—	—	—
C3	VSS	—	—	—	V23	DSPICS3	PDSP15	TOUT3	—
C4	SDDATA17	—	—	—	V24	$\overline{\text{PCIBG1}}$	PPCIBG1	TOUT1	—
C5	SDDATA19	—	—	—	V25	PCIAD31	—	FBADDR31	—
C6	$\overline{\text{SDVDD}}$	—	—	—	V26	$\overline{\text{PCIAD30}}$	—	FBADDR30	—
C7	SDDATA22	—	—	—	W1	AD6	—	—	—
C8	SDDATA26	—	—	—	W2	AD5	—	—	—
C9	SDVDD	—	—	—	W3	AD7	—	—	—
C10	$\overline{\text{SDDATA31}}$	—	—	—	W4	AD13	—	—	—
C11	$\overline{\text{SDADDR4}}$	—	—	—	W23	$\overline{\text{DSPICS5/PCSS}}$	PDSP16	—	—
C12	SDADDR8	—	—	—	W24	$\overline{\text{PCIBG4}}$	PPCIBG4	$\overline{\text{TBST}}$	—
C13	SDVDD	—	—	—	W25	$\overline{\text{PCIBG2}}$	PPCIBG2	TOUT2	—
C14	MTMOD2	—	—	—	W26	$\overline{\text{PCIBG0}}$	PPCIBG0	TOUT0	—
C15	$\overline{\text{DSCLK}}$	—	$\overline{\text{TRST}}$	—	Y1	AD9	—	—	—
C16	EVDD	—	—	—	Y2	AD8	—	—	—
C17	VSS	—	—	—	Y3	EVDD	—	—	—
C18	IVDD	—	—	—	Y4	VSS	—	—	—

¹This pin is a “no connect” on the MCF5473 and MCF5472 devices.

²This pin is a “no connect” on the MCF5471 and MCF5470 devices.

³This pin is a “no connect” on the MCF5471 and MCF5470 devices. On MCF5475, MCF5474, MCF5473, and MCF5472 device the pin should be connected to the appropriate power rail even is USB is not being used.

Table 2-2. MCF5475/MCF5474 Signal Description by Pin Number (Continued)

PBGA Pin	Pin Functions				MAPBGA Pin	Pin Functions			
	Primary	GPIO	Secondary	Tertiary		Primary	GPIO	Secondary	Tertiary
C19	VSS	—	—	—	Y23	$\overline{\text{PSC1RTS}}$	PPSCL7	PSC1FSYNC	—
C20	PSTDDATA4	—	—	—	Y24	DSPISOUT	PDSP10	PSC3TXD	—
C21	$\overline{\text{VSS}}$	—	—	—	Y25	DSPICS0/ $\overline{\text{SS}}$	PDSP13	—	—
C22	EVDD	—	—	—	Y26	$\overline{\text{PCIBG3}}$	PPCIBG3	TOUT3	—
C23	PCIIDSEL	—	—	—	AA1	AD10	—	—	—
C24	SDA	PFEC12C1	—	—	AA2	AD11	—	—	—
C25	$\overline{\text{SCL}}$	PFEC12C0	—	—	AA3	AD14	—	—	—
C26	$\overline{\text{PCITRDY}}$	—	—	—	AA4	AD19	—	—	—
D1	SDDATA14	—	—	—	AA23	$\overline{\text{IVDD}}$	—	—	—
D2	VREF	—	—	—	AA24	$\overline{\text{EVDD}}$	—	—	—
D3	SDVDD	—	—	—	AA25	$\overline{\text{PCS0TXD}}$	PPSCL0	—	—
D4	$\overline{\text{SDDATA16}}$	—	—	—	AA26	DSPICS2	PDSP14	TOUT2	—
D5	SDDATA28	—	—	—	AB1	AD12	—	—	—
D6	$\overline{\text{VSS}}$	—	—	—	AB2	AD15	—	—	—
D7	SDADDR2	—	—	—	AB3	EVDD	—	—	—
D8	SDADDR6	—	—	—	AB4	VSS	—	—	—
D9	VSS	—	—	—	AB23	$\overline{\text{PSC3RTS}}$	PPSCH7	PSC3FSYNC	—
D10	SDADDR10	—	—	—	AB24	$\overline{\text{DACK0}}$	PDMA2	TOUT0	—
D11	IVDD	—	—	—	AB25	PSC1TXD	PPSCL4	—	—
D12	IVDD	—	—	—	AB26	$\overline{\text{PSC0RTS}}$	$\overline{\text{PPSCL3}}$	PSC0FSYNC	—
D13	VSS	—	—	—	AC1	$\overline{\text{AD17}}$	—	—	—
D14	$\overline{\text{IRQ7}}$	PIRQ7	—	—	AC2	$\overline{\text{AD20}}$	—	—	—
D15	NC	—	—	—	AC3	AD22	—	—	—
D16	VSS	—	—	—	AC4	$\overline{\text{BE/BWE1}}$	PFBCTL5	FBADDR1	—
D17	DSO	—	TDO	—	AC5 ¹	$\overline{\text{E1CRS}}$	PFEC1H0	—	—
D18	PSTDDATA5	—	—	—	AC6	$\overline{\text{E0TXD2}}$	PFEC0L6	—	—
D19	IVDD	—	—	—	AC7	$\overline{\text{VSS}}$	—	—	—
D20	PSTCLK	—	—	—	AC8 ¹	E1TXD3	PFEC1L7	—	—

¹This pin is a “no connect” on the MCF5473 and MCF5472 devices.

²This pin is a “no connect” on the MCF5471 and MCF5470 devices.

³This pin is a “no connect” on the MCF5471 and MCF5470 devices. On MCF5475, MCF5474, MCF5473, and MCF5472 device the pin should be connected to the appropriate power rail even is USB is not being used.

Table 2-2. MCF5475/MCF5474 Signal Description by Pin Number (Continued)

PBGA Pin	Pin Functions				MAPBGA Pin	Pin Functions			
	Primary	GPIO	Secondary	Tertiary		Primary	GPIO	Secondary	Tertiary
D21	$\overline{\text{PCIBR4}}$	PPCIBR4	$\overline{\text{IRQ4}}$	—	AC9	E0COL	PFEC0H4	—	—
D22	IVDD	—	—	—	AC10	VSS	—	—	—
D23	VSS	—	—	—	AC11 ¹	E1TXD2	PFEC1L6	—	—
D24	$\overline{\text{PCIIRDY}}$	—	—	—	AC12	IVDD	—	—	—
D25 ¹	E1RXD3 ¹	PFEC1L3	—	—	AC13 ³	USB_OSCVDD	—	—	—
D26	$\overline{\text{PCIPERR}}$	—	—	—	AC14	E0RXER	PFEC0L0	—	—
E1	SDDATA12	—	—	—	AC15	NC	—	—	—
E2	SDDATA15	—	—	—	AC16 ³	USB_PHYVDD	—	—	—
E3	$\overline{\text{RAS}}$	—	—	—	AC17 ²	USBVBUS	—	—	—
E4	SDCKE	—	—	—	AC18	$\overline{\text{VSS}}$	—	—	—
E23	VSS	—	—	—	AC19	$\overline{\text{PSC2CTS}}$	PPSCH2	PSC2BCLK	—
E24	$\overline{\text{EVDD}}$	—	—	—	AC20	IVDD	—	—	—
E25	$\overline{\text{PCISTOP}}$	—	—	—	AC21	PSC0RXD	PPSCL1	—	—
E26	$\overline{\text{PCICXBE1}}$	—	—	—	AC22	$\overline{\text{TOUT2}}$	PTIM4	—	—
F1	SDDATA10	—	—	—	AC23	$\overline{\text{TOUT1}}$	—	—	—
F2	SDDQS1	—	—	—	AC24	DSPISIN	PDSP11	PSC3RXD	—
F3	SDVDD	—	—	—	AC25	$\overline{\text{DACK1}}$	PDMA3	TOUT1	—
F4	VSS	—	—	—	AC26	$\overline{\text{PSC2TXD}}$	PPSCH0	—	—
F23	PCIPAR	—	—	—	AD1	AD16	—	—	—
F24	$\overline{\text{PCISERR}}$	—	—	—	AD2	AD21	—	—	—
F25	$\overline{\text{PCIFRM}}$	—	—	—	AD3	AD23	—	—	—
F26	$\overline{\text{PCICXBE3}}$	—	—	—	AD4	AD24	—	—	—
G1	SDDATA6	—	—	—	AD5	AD26	—	—	—
G2	SDDATA9	—	—	—	AD6	$\overline{\text{ALE}}$	PFBCTL0	$\overline{\text{TBST}}$	—
G3	SDDM1	—	—	—	AD7	EVDD	—	—	—
G4	SDDATA13	—	—	—	AD8	$\overline{\text{E0TXD3}}$	PFEC0L7	—	—
G23	$\overline{\text{PCIRESET}}$	—	—	—	AD9	E0TXD0	PFEC0H5	—	—
G24	$\overline{\text{PCICXBE0}}$	—	—	—	AD10	EVDD	—	—	—

¹This pin is a “no connect” on the MCF5473 and MCF5472 devices.

²This pin is a “no connect” on the MCF5471 and MCF5470 devices.

³This pin is a “no connect” on the MCF5471 and MCF5470 devices. On MCF5475, MCF5474, MCF5473, and MCF5472 device the pin should be connected to the appropriate power rail even is USB is not being used.

Table 2-2. MCF5475/MCF5474 Signal Description by Pin Number (Continued)

PBGA Pin	Pin Functions				MAPBGA Pin	Pin Functions			
	Primary	GPIO	Secondary	Tertiary		Primary	GPIO	Secondary	Tertiary
G25	PCICXBE2	—	—	—	AD11	E0MDC	PFECI2C2	—	—
G26	PCIAD2	—	FBADDR2	—	AD12	\overline{VSS}	—	—	—
H1	SDDQS0	—	—	—	AD13	E0RXD0	PFEC0H1	—	—
H2	SDDATA5	—	—	—	AD14	E0RXLK	PFEC0H3	—	—
H3	SDDATA8	—	—	—	AD15 ³	USB_OSCAVD D	—	—	—
H4	IVDD	—	—	—	AD16 ³	USB_PLLVDD	—	—	—
H23	IVDD	—	—	—	AD17	VSS	—	—	—
H24	EVDD	—	—	—	AD18	EVDD	—	—	—
H25	PCIAD1	—	FBADDR1	—	AD19	TIN3	PTIM7	IRQ3	CANRX1
H26	PCIAD4	—	FBADDR4	—	AD20	VSS	—	—	—
J1	SDDATA3	—	—	—	AD21	PSC2RXD	PPSCH1	—	—
J2	SDDM0	—	—	—	AD22	DSPISCK	PDSP12	$\overline{PSC3CTS}$	PSC3BCLK
J3	SDDATA4	—	—	—	AD23	TOUT3	PTIM6	—	—
J4	VSS	—	—	—	AD24 ¹	E1MDC	—	SCL	—
J23	$\overline{PCIDEVSEL}$	—	—	—	AD25 ¹	E1TXEN	PFEC1H6	—	—
J24	PCIAD3	—	FBADDR3	—	AD26	$\overline{PSC2RTS}$	PPSCH3	PSC2FSYNC	—
J25	PCIAD5	—	FBADDR5	—	AE1	AD18	—	—	—
J26	PCIAD7	—	FBADDR7	—	AE2	AD31	—	—	—
K1	\overline{SDWE}	—	—	—	AE3	AD28	—	—	—
K2	SDDATA0	—	—	—	AE4	AD27	—	—	—
K3	SDDATA1	—	—	—	AE5	R \overline{W}	PFBCTL2	\overline{TBST}	—
K4	SDDATA11	—	—	—	AE6	\overline{OE}	PFBCTL3	—	—
K23	PCIAD0	—	FBADDR0	—	AE7	$\overline{BE/BWE0}$	PFBCTL4	FBADDR0	—
K24	PCIAD6	—	FBADDR6	—	AE8 ¹	E1RXER	PFEC1L0	—	—
K25	PCIAD8	—	FBADDR8	—	AE9	E0TXER	PFEC0L4	—	—
K26	PCIAD9	—	FBADDR9	—	AE10	E0TXEN	PFEC0H6	—	—
L1	SDCLK1	—	—	—	AE11 ¹	E1TXD1	PFEC1L5	—	—
L2	SDRDQS	—	—	—	AE12 ¹	E1TXD0	PFEC1h5	—	—

¹This pin is a “no connect” on the MCF5473 and MCF5472 devices.

²This pin is a “no connect” on the MCF5471 and MCF5470 devices.

³This pin is a “no connect” on the MCF5471 and MCF5470 devices. On MCF5475, MCF5474, MCF5473, and MCF5472 device the pin should be connected to the appropriate power rail even is USB is not being used.

Table 2-2. MCF5475/MCF5474 Signal Description by Pin Number (Continued)

PBGA Pin	Pin Functions				MAPBGA Pin	Pin Functions			
	Primary	GPIO	Secondary	Tertiary		Primary	GPIO	Secondary	Tertiary
L3	SDVDD	—	—	—	AE13 ¹	E1TXCLK	PFEC1H7	—	—
L4	VSS	—	—	—	AE14	E0RXDV	PFEC1H2	—	—
L11	VSS	—	—	—	AE15	VSS	—	—	—
L12	VSS	—	—	—	AE16	VSS	—	—	—
L13	VSS	—	—	—	AE17	VSS	—	—	—
L14	VSS	—	—	—	AE18 ³	$\overline{\text{USBVDD}}$	—	—	—
L15	VSS	—	—	—	AE19	E0CRS	PFEC0H0	—	—
L16	VSS	—	—	—	AE20	TIN1	—	—	—
L23	IVDD	—	—	—	AE21	$\overline{\text{PSC3RXD}}$	PPSCH5	—	—
L24	VSS	—	—	—	AE22	PSC1RXD	PPSCL5	—	—
L25	PCIAD10	—	FBADDR10	—	AE23	$\overline{\text{PSC0CTS}}$	PPSCL2	PSC0BCLK	—
L26	PCIAD11	—	FBADDR11	—	AE24 ¹	E1TXER	PFEC1L4	—	—
M1	$\overline{\text{SDCLK1}}$	—	—	—	AE25 ¹	E1MDIO	—	SCL	—
M2	$\overline{\text{SDBA1}}$	—	—	—	AE26	PSC3TXD	PPSCH4	—	—
M3	$\overline{\text{SDBA0}}$	—	—	—	AF1	AD29	—	—	—
M4	SDDATA2	—	—	—	AF2	$\overline{\text{AD25}}$	—	—	—
M11	VSS	—	—	—	AF3	AD30	—	—	—
M12	VSS	—	—	—	AF4	$\overline{\text{BE/BWE3}}$	PFBCTL7	TSIZ1	—
M13	VSS	—	—	—	AF5	$\overline{\text{BE/BWE2}}$	PFBCTL6	TSIZ0	—
M14	VSS	—	—	—	AF6	$\overline{\text{TA}}$	PFBCTL1	—	—
M15	VSS	—	—	—	AF7	E0TXD1	PFEC0L5	—	—
M16	VSS	—	—	—	AF8 ¹	E1COL	PFEC1H4	—	—
M23	VSS	—	—	—	AF9	E0TXCLK	PFEC0H7	—	—
M24	$\overline{\text{EVDD}}$	—	—	—	AF10	E0MDIO	PFECI2C3	—	—
M25	PCIAD12	—	FBADDR12	—	AF11	E0RXD3	PFEC0L3	—	—
M26	PCIAD13	—	FBADDR13	—	AF12	E0RXD2	PFEC0L2	—	—
N1	SDCLK0	—	—	—	AF13	E0RXD1	PFEC0L1	—	—
N2	$\overline{\text{SDCLK0}}$	—	—	—	AF14 ²	USBCLKOUT	—	—	—

¹This pin is a “no connect” on the MCF5473 and MCF5472 devices.

²This pin is a “no connect” on the MCF5471 and MCF5470 devices.

³This pin is a “no connect” on the MCF5471 and MCF5470 devices. On MCF5475, MCF5474, MCF5473, and MCF5472 device the pin should be connected to the appropriate power rail even if USB is not being used.

Table 2-2. MCF5475/MCF5474 Signal Description by Pin Number (Continued)

PBGA Pin	Pin Functions				MAPBGA Pin	Pin Functions			
	Primary	GPIO	Secondary	Tertiary		Primary	GPIO	Secondary	Tertiary
N3	$\overline{\text{SDCS0}}$	—	—	—	AF15 ²	USBCLKIN	—	—	—
N4	SDDATA7	—	—	—	AF16 ²	USB $\overline{\text{D}}$ +	—	—	—
N11	VSS	—	—	—	AF17 ²	USB $\overline{\text{D}}$ -	—	—	—
N12	VSS	—	—	—	AF18	$\overline{\text{USB}}\overline{\text{RBIAS}}$	—	—	—
N13	VSS	—	—	—	AF19	$\overline{\text{DREQ1}}$	PDMA1	$\overline{\text{TIN1}}$	$\overline{\text{IRQ1}}$
N14	VSS	—	—	—	AF20	$\overline{\text{DREQ0}}$	PDMA0	TIN0	—
N15	VSS	—	—	—	AF21	$\overline{\text{TIN2}}$	PTIM5	IRQ2	—
N16	VSS	—	—	—	AF22	$\overline{\text{TIN0}}$	—	—	—
N23	PCIAD16	—	FBADDR16	—	AF23	$\overline{\text{PSC3CTS}}$	PPSCH6	PSC3BCLK	—
N24	PCIAD14	—	FBADDR14	—	AF24 ¹	E1RXD0	PFEC1H1	—	—
N25	PCIAD17	—	FBADDR17	—	AF25	$\overline{\text{PSC1CTS}}$	PPSCL6	PSC1BCLK	—
N26	PCIAD15	—	FBADDR15	—	AF26	TOUT0	—	—	—

¹This pin is a “no connect” on the MCF5473 and MCF5472 devices.

²This pin is a “no connect” on the MCF5471 and MCF5470 devices.

³This pin is a “no connect” on the MCF5471 and MCF5470 devices. On MCF5475, MCF5474, MCF5473, and MCF5472 device the pin should be connected to the appropriate power rail even is USB is not being used.

2.2 MCF547x External Signals

2.2.1 FlexBus Signals

2.2.1.1 Address/Data Bus (AD[31:0])

The AD[31:0] bus carries address and data. The full 32-bit address is always driven on the first clock of a bus cycle (address phase). The number of bytes used for data during the data phase is determined by the port size associated with the matching chip select.

2.2.1.2 Chip Select ($\overline{\text{FBCS}}[5:0]$)

$\overline{\text{FBCS}}[5:0]$ are asserted to indicate which device is being selected. A particular chip select asserts when the transfer address is within the device’s address space as defined in the base and mask address registers. Each chip select can be programmed for a base address location, masking addresses, port size, burst-capability indication, wait-state generation, and internal/external termination.

Reset clears all chip select programming; $\overline{\text{FBCS0}}$ is the only chip select initialized out of reset. $\overline{\text{FBCS0}}$ is also unique because it can function at reset as a global chip select that allows boot ROM to be selected at any defined address space. Port size and termination (internal vs. external) for boot $\overline{\text{FBCS0}}$ are configured by the levels on AD[2:0] on the rising edge of RSTI, as described in [Section 2.2.6, “Reset Configuration Pins.”](#)

2.2.1.3 Address Latch Enable (ALE)

The assertion of ALE indicates that the MCF547x has begun a bus transaction and that the address and attributes are valid. ALE is asserted for one bus clock cycle. In multiplexed bus mode, ALE is used externally as an address latch enable to capture the address phase of the bus transfer.

2.2.1.4 Read/Write ($\overline{R/W}$)

The MCF547x drives the $\overline{R/W}$ signal to indicate the direction of the current bus operation. It is driven high during read bus cycles and driven low during write bus cycles.

2.2.1.5 Transfer Burst (\overline{TBST})

Transfer burst indicates that a burst transfer is in progress. A burst transfer can be 2 to 16 beats depending on the size of the transfer and the port size.

2.2.1.6 Transfer Size (TSIZ[1:0])

For memory accesses, these signals along with \overline{TBST} , indicate the data transfer size of the current bus operation. The FlexBus interface supports byte, word, and longword operand transfers and allows accesses to 8-, 16-, and 32-bit data ports.

For misaligned transfers, TSIZ[1:0] indicates the size of each transfer. For example, if a longword access through a 32-bit port device occurs at a misaligned offset of 0x1, a byte is transferred first (TSIZ[1:0] = 01), a word is next transferred at offset 0x2 (TSIZ[1:0] = 10), then the final byte is transferred at offset 0x4 (TSIZ[1:0] = 01).

For aligned transfers larger than the port size, TSIZ[1:0] behaves as follows:

- If bursting is used, TSIZ[1:0] is driven to the size of transfer.
- If bursting is inhibited, TSIZ[1:0] first shows the size of the entire transfer and then shows the port size.

Table 2-3. Data Transfer Size

TSIZ[1:0]	Transfer Size
00	4 bytes (longword)
01	1 byte
10	2 bytes (word)
11	16 bytes (line)

For burst-inhibited transfers, TSIZ[1:0] changes with each ALE assertion to reflect the next transfer size. For transfers to port sizes smaller than the transfer size, TSIZ[1:0] indicates the size of the entire transfer on the first access and the size of the current port transfer on subsequent transfers. For example, for a longword write to an 8-bit port, TSIZ[1:0] = 2'b00 for the first transaction and 2'b01 for the next three transactions. If bursting is used and in the case of longword write to an 8-bit port, TSIZ[1:0] is driven to 2'b00 for the entire transfer.

2.2.1.7 Byte Selects ($\overline{BE/BWE}$ [3:0])

The four byte-enables are multiplexed with the byte-write-enable signals. Each pin can be individually programmed through the chip select control registers (CSCRs). For each chip select, assertion of

byte-enables for reads and byte-write enables for write cycles can be programmed. Alternatively, users can program byte-write enables to assert on writes and byte-enable to not assert on reads.

The byte strobe ($\overline{\text{BE/BWE}}[3:0]$) outputs indicate that data is to be latched or driven onto a byte of the data. $\overline{\text{BE/BWE}}[3:0]$ signals are asserted only to the memory bytes used during a read or write access.

2.2.1.8 Output Enable ($\overline{\text{OE}}$)

The output enable signal is sent to the interfacing memory and/or peripheral to enable a read transfer. $\overline{\text{OE}}$ is asserted only when a chip select matches the current address decode.

2.2.1.9 Transfer Acknowledge ($\overline{\text{TA}}$)

The external system drives this input to terminate the bus transfer. For write cycles, the processor continues to drive data at least one clock after $\overline{\text{FBCS}}_x$ is negated. During read cycles, the peripheral must continue to drive data until $\overline{\text{TA}}$ is recognized. The number of wait states is determined either by an internally programmed auto acknowledgement or the external $\overline{\text{TA}}$ input. If the external $\overline{\text{TA}}$ is used, the peripheral has total control over the number of wait states.

2.2.2 SDRAM Controller Signals

These signals are used for SDRAM accesses.

2.2.2.1 SDRAM Data Bus ($\text{SDDATA}[31:0]$)

$\text{SDDATA}[31:0]$ is the bidirectional, non-multiplexed data bus used for SDRAM accesses. Data is sampled by the MCF547x on the rising edge of SDCLK when in SDR mode, and on both the rising and falling edge of SDCLK when in DDR mode.

2.2.2.2 SDRAM Address Bus ($\text{SDADDR}[12:0]$)

The $\text{SDADDR}[12:0]$ signals are the 13-bit address bus used for multiplexed row and column addresses during SDRAM bus cycles. The address multiplexing supports up to 256 Mbits of SDRAM per chip select.

2.2.2.3 SDRAM Bank Addresses ($\text{SDBA}[1:0]$)

Each SDRAM module has four internal row banks. The $\text{SDBA}[1:0]$ signals are used to select the row bank. It is also used to select the SDRAM internal mode register during power-up initialization.

2.2.2.4 SDRAM Row Address Strobe ($\overline{\text{RAS}}$)

This output is the SDRAM synchronous row address strobe.

2.2.2.5 SDRAM Column Address Strobe ($\overline{\text{CAS}}$)

This output is the SDRAM synchronous column address strobe.

2.2.2.6 SDRAM Chip Selects ($\overline{\text{SDCS}}[3:0]$)

These signals interface to the chip select lines of the SDRAMs within a memory block. Thus, there is one $\overline{\text{SDCS}}$ line for each memory block (the MCF547x supports up to four SDRAM memory blocks).

2.2.2.7 SDRAM Write Data Byte Mask (SDDM[3:0])

These output signals are sampled by the SDRAM on both edges of SDDQS to determine which byte lanes of the SDRAM data bus should be latched during a write cycle. In DDR mode, these bits are ignored during read operations.

2.2.2.8 SDRAM Data Strobe (SDDQS[3:0])

These bidirectional signals indicate when valid data is on the SDRAM data bus when in DDR mode.

2.2.2.9 SDRAM Clock (SDCLK[1:0])

These signals are the output clock for SDRAM cycles.

2.2.2.10 Inverted SDRAM Clock ($\overline{\text{SDCLK}}$ [1:0])

These signals are the inverted version of the SDRAM clock. They are used with SDCLK to provide the differential clocks for DDR SDRAM.

2.2.2.11 SDRAM Write Enable ($\overline{\text{SDWE}}$)

The SDRAM write enable ($\overline{\text{SDWE}}$) is asserted to signify that an SDRAM write cycle is underway. A read cycle is indicated by the negation of SDWE.

2.2.2.12 SDRAM Clock Enable (SDCKE)

This output is the SDRAM clock enable. SDCKE is negated to put the SDRAM into low-power, self-refresh mode.

2.2.2.13 SDR SDRAM Data Strobe (SDRDQS)

This signal is connected to SDDQS inputs. It is used in SDR mode only.

2.2.2.14 SDRAM Reference Voltage (VREF)

This is the input reference voltage for differential SSTL_2 inputs. It is used in both DDR and SDR modes.

2.2.3 PCI Controller Signals

2.2.3.1 PCI Address/Data Bus (PCIAD[31:0])

The PCIAD[31:0] lines are a time-multiplexed address data bus. The address is presented on the bus during the address phase while the data is presented on the bus during one or more data phases.

If the FlexBus is used in 32-bit address or 32-bit data non-multiplexed mode, PCIAD[31:0] are used as a 32-bit address for FlexBus transfers.

2.2.3.2 Command/Byte Enables ($\overline{\text{PCICXBE}}$ [3:0])

The $\overline{\text{PCICXBE}}$ [3:0] lines are time-multiplexed. The PCI command is presented during the address phase, and the byte enables are presented during the data phase.

2.2.3.3 Device Select ($\overline{\text{PCIDEVSEL}}$)

The $\overline{\text{PCIDEVSEL}}$ signal is asserted active low when the MCF547x decodes that it is the target of a PCI transaction from the address presented on the PCI bus during the address phase.

2.2.3.4 Frame ($\overline{\text{PCIFRM}}$)

The $\overline{\text{PCIFRM}}$ signal is asserted by a PCI initiator to indicate the beginning of a transaction. It is negated when the initiator is ready to complete the final data phase.

2.2.3.5 Initialization Device Select (PCIIDSEL)

The PCIIDSEL signal is asserted during a PCI type-0 configuration cycle to address the PCI configuration header.

2.2.3.6 Initiator Ready ($\overline{\text{PCIIRDY}}$)

The $\overline{\text{PCIIRDY}}$ signal is asserted to indicate that the PCI initiator is ready to transfer data. During a write operation, assertion indicates that the master is driving valid data on the bus. During a read operation, assertion indicates that the master is ready to accept data.

2.2.3.7 Parity (PCIPAR)

The PCIPAR signal indicates the parity of data on the $\text{PCIAAD}[31:0]$ and $\overline{\text{PCICXBE}}[3:0]$ lines.

2.2.3.8 Parity Error ($\overline{\text{PCIPERR}}$)

The $\overline{\text{PCIPERR}}$ signal is asserted when a data phase parity error is detected if enabled.

2.2.3.9 Reset ($\overline{\text{PCIRESET}}$)

The $\overline{\text{PCIRESET}}$ signal is asserted active low by MCF547x to reset the PCI bus. This signal is asserted after the MCF547x is reset and must be negated to enable usage of the PCI bus.

2.2.3.10 System Error ($\overline{\text{PCISERR}}$)

The $\overline{\text{PCISERR}}$ signal, if enabled, is asserted when an address phase parity error is detected.

2.2.3.11 Stop ($\overline{\text{PCISTOP}}$)

The $\overline{\text{PCISTOP}}$ signal is asserted by the currently addressed target to indicate that it wishes to stop the current transaction.

2.2.3.12 Target Ready ($\overline{\text{PCITRDY}}$)

The $\overline{\text{PCITRDY}}$ signal is asserted by the currently addressed target to indicate that it is ready to complete the current data phase.

2.2.3.13 External Bus Grant ($\overline{\text{PCIBG}}[4:1]$)

The $\overline{\text{PCIBG}}$ signal is asserted to an external master to give it control of the PCI bus. If the internal PCI arbiter is enabled, it asserts one of the $\text{PCIBG}[4:1]$ lines to grant ownership of the PCI bus to an external master. When the PCI arbiter module is disabled, $\text{PCIBG}[4:1]$ is driven high and should be ignored.

2.2.3.14 External Bus Grant/Request Output ($\overline{\text{PCIBG0}}/\overline{\text{PCIREQOUT}}$)

The $\overline{\text{PCIBG0}}$ signal is asserted to external master device 0 to give it control of the PCI bus. When the PCI arbiter module is disabled, the signal operates as the PCIREQOUT output. It is asserted when the MCF547x needs to initiate a PCI transaction.

2.2.3.15 External Bus Request ($\overline{\text{PCIBR}}[4:0]$)

The $\overline{\text{PCIBR}}$ signal is asserted by an external PCI master when it requires access to the PCI bus.

2.2.3.16 External Request/Grant Input ($\overline{\text{PCIBR0}}/\overline{\text{PCIGNTIN}}$)

The $\overline{\text{PCIBR0}}$ signal is asserted by external PCI master device 0 when it requires access to the PCI bus. When the internal PCI arbiter module is disabled, this signal is used as a grant input for the PCI bus, $\overline{\text{PCIGNTIN}}$. It is driven by an external PCI arbiter.

2.2.4 Interrupt Control Signals

The interrupt control signals supply the external interrupt level to the MCF547x device.

2.2.4.1 Interrupt Request ($\overline{\text{IRQ}}[7:1]$)

The $\overline{\text{IRQ}}[7:1]$ signals are the external interrupt inputs.

2.2.5 Clock and Reset Signals

The clock and reset signals configure the MCF547x and provide interface signals to the external system.

2.2.5.1 Reset In ($\overline{\text{RSTI}}$)

Asserting $\overline{\text{RSTI}}$ causes the MCF547x to enter reset exception processing. $\overline{\text{RSTO}}$ is asserted automatically when $\overline{\text{RSTI}}$ is asserted.

2.2.5.2 Reset Out ($\overline{\text{RSTO}}$)

After $\overline{\text{RSTI}}$ is asserted, the PLL temporarily loses its lock, during which time $\overline{\text{RSTO}}$ is asserted. When the PLL regains its lock, $\overline{\text{RSTO}}$ negates again. This signal can be used to reset external devices.

2.2.5.3 Clock In (CLKIN)

CLKIN is the MCF547x input clock frequency to the on-board, phase-locked loop (PLL) clock generator. CLKIN is used to internally clock or sequence the MCF547x internal bus interface at a selected multiple of the input frequency used for internal module logic.

CLKIN is used as the clock reference for PCI and FlexBus transfers.

2.2.6 Reset Configuration Pins

This section describes address/data pins, AD[12:0], that are read at reset to configure the MCF547x.

2.2.6.1 AD[12:8]—CLKIN to SDCLK Ratio (CLKCONFIG[4:0])

The clock configuration inputs, CLKCONFIG[4:0], indicate the CLKIN to SDCLK ratio. CLKIN is used as the external reference for both PCI and FlexBus cycles. The CLKIN to SDCLK ratio is selectable, where SDCLK is the clock frequency used for SDRAM accesses and the internal XLB bus. The core is always clocked at twice the SDCLK frequency.

These signals are sampled on the rising edge of $\overline{\text{RSTI}}$. Table 2-4 shows how the logic levels of AD[12:8] correspond to the selected clock ratio.

Table 2-4. MCF547X Divide Ratio Encodings

FB_AD[12:8] ¹	Clock Ratio	CLKIN—PCI and FlexBus Frequency Range (MHz)	Internal XLB, SDRAM Bus and PSTCLK Frequency Range (MHz)	Core Frequency Range (MHz)
00011	1:2	41.6–66.66	83.33–133.33	166.66–266.66
00101	1:2	30.0–44.4	60.0–88.8	120.0–177.66
01111	1:4	30.0–33.3	120–133.33	210–266.66

¹ All other values of FB_AD[12:8] are reserved.

2.2.6.2 AD5—FlexBus Size Configuration (FBSIZE)

At reset, the enabling and disabling of $\overline{\text{BE}}/\overline{\text{BWE}}[3:0]$ versus TSIZ[1:0] and ADDR[1:0] is determined by the logic level driven on AD5 at the rising edge of $\overline{\text{RSTI}}$. FBSIZE is multiplexed with AD5 and sampled only at reset. Table 2-5 shows how the AD5 logic level corresponds to the $\overline{\text{BE}}/\overline{\text{BWE}}[3:0]$ function.

Table 2-5. AD5/FBSIZE Selection of $\overline{\text{BE}}/\overline{\text{BWE}}[3:0]$ Signals

AD5	FlexBus Byte Enable Mode
0	$\overline{\text{BE}}/\overline{\text{BWE}}[3:0]$ used as byte/byte write enables.
1	$\overline{\text{BE}}/\overline{\text{BWE}}[3:2]$ configured as TSIZ[1:0]. $\overline{\text{BE}}/\overline{\text{BWE}}[1:0]$ configured as FBADDR[1:0].

2.2.6.3 AD4—32-bit FlexBus Configuration (FBMODE)

During reset, the FlexBus can be configured to operate in a non-multiplexed 32-bit address with 32-bit data mode. In this mode, the 32-bit FlexBus AD[31:0] is used for the data bus, and the PCI bus PCIAD[31:0] is used as the address bus. The FlexBus operating mode is determined by the logic level driven on AD4 at the rising edge of $\overline{\text{RSTI}}$. Table 2-6 shows how the logic level of AD4 corresponds to the FlexBus mode.

Table 2-6. AD4/FBMODE Selection of Non-Multiplexed 32-bit Address/32-bit Data Mode

AD4	FlexBus Operating Mode
0	AD[31:0] used for data. PCIAD[31:0] used for address ¹
1	PCIAD[31:0] used for PCI bus. AD[31:0] used for both address and data.

¹ If the non-multiplexed 32-bit address/32-bit data mode is selected, the PCI bus cannot be used.

2.2.6.4 AD3—Byte Enable Configuration (BECONFIG)

The default byte enable mode of the boot $\overline{\text{FBCS0}}$ is determined by the logic level driven on AD3 at the rising edge of $\overline{\text{RSTI}}$. This logic level is reflected as the reset value of $\text{CSCR0}[\text{BEM}]$. Table 2-7 shows how the logic level of AD3 corresponds to the byte enable mode for $\overline{\text{FBCS0}}$ at reset.

Table 2-7. AD3/BECONFIG, $\overline{\text{BE}}[\text{3:0}]$ Boot Configuration

AD3	Boot $\overline{\text{FBCS0}}$ Byte Strobe Configuration
0	$\overline{\text{BE}}[\text{3:0}]$ can assert for both read and write cycles.
1	$\overline{\text{BWE}}[\text{3:0}]$ are not asserted for reads; $\overline{\text{BWE}}[\text{3:0}]$ only assert for write cycles

2.2.6.5 AD2—Auto Acknowledge Configuration (AACONFIG)

At reset, the enabling and disabling of auto acknowledge for boot $\overline{\text{FBCS0}}$ is determined by the logic level driven on AD2 at the rising edge of $\overline{\text{RSTI}}$. AACONFIG is multiplexed with AD2 and sampled only at reset. The AD2 logic level is reflected as the reset value of $\text{CSCR0}[\text{AA}]$. Table 2-8 shows how the AD2 logic level corresponds to the auto acknowledge timing for $\overline{\text{FBCS0}}$ at reset. Auto acknowledge can be disabled by driving a logic 0 on AD2 at reset.

Table 2-8. AD2/AA_CONFIG Selection of $\overline{\text{FBCS0}}$ Automatic Acknowledge

AD2	Boot $\overline{\text{FBCS0}}$ AA Configuration at Reset
0	Disabled
1	Enabled with 63 wait states

2.2.6.6 AD[1:0]—Port Size Configuration (PSCONFIG)

The default port size value of the boot $\overline{\text{FBCS0}}$ is determined by the logic levels driven on AD[1:0] at the rising edge of $\overline{\text{RSTI}}$, which are reflected as the reset value of $\text{CSCR0}[\text{PS}]$. Table 2-9 shows how the logic levels of AD[1:0] correspond to the $\overline{\text{FBCS0}}$ port size at reset.

Table 2-9. AD[1:0]/PSCONFIG[1:0] Selection of FBCS0 Port Size

AD[1:0]	Boot FBCS0 Port Size
00	32-bit port
01	8-bit port
1X	16-bit port

2.2.7 Ethernet Module Signals

The following signals are used by the Ethernet module for data and clock signals.

2.2.7.1 Management Data (E0MDIO, E1MDIO)

The bidirectional EMDIO signals transfer control information between the external PHY and the media-access controller. Data is synchronous to EMDC and applies to MII mode operation. This signal is an input after reset. When the FEC operates in 10 Mbps 7-wire interface mode, this signal should be connected to V_{SS}.

2.2.7.2 Management Data Clock (E0MDC, E1MDC)

EMDC is an output clock that provides a timing reference to the PHY for data transfers on the EMDIO signal; it applies to MII mode operation.

2.2.7.3 Transmit Clock (E0TXCLK, E1TXCLK)

This is an input clock that provides a timing reference for ETXEN, ETXD[3:0], and ETXER.

2.2.7.4 Transmit Enable (E0TXEN, E1TXEN)

The transmit enable (ETXEN) output indicates when valid nibbles are present on the MII. This signal is asserted with the first nibble of a preamble and is negated before the first ETXCLK following the final nibble of the frame.

2.2.7.5 Transmit Data 0 (E0TXD0, E1TXD0)

ETXD0 is the serial output Ethernet data and is only valid during the assertion of ETXEN. This signal is used for 10 Mbps Ethernet data. This signal is also used for MII mode data in conjunction with ETXD[3:1].

2.2.7.6 Collision (E0COL, E1COL)

The ECOL input is asserted upon detection of a collision and remains asserted while the collision persists. This signal is not defined for full-duplex mode.

2.2.7.7 Receive Clock (E0RXCLK, E1RXCLK)

The receive clock (ERXCLK) input provides a timing reference for ERXDV, ERXD[3:0], and ERXER.

2.2.7.8 Receive Data Valid (E0RXDV, E1RXDV)

Asserting the receive data valid (ERXDV) input indicates that the PHY has valid nibbles present on the MII. ERXDV should remain asserted from the first recovered nibble of the frame through to the last nibble. Assertion of ERXDV must start no later than the SFD and exclude any EOF.

2.2.7.9 Receive Data 0 (E0RXD0, E1RXD0)

ERXD0 is the Ethernet input data transferred from the PHY to the media-access controller when ERXDV is asserted. This signal is used for 10 Mbps Ethernet data. This signal is also used for MII mode Ethernet data in conjunction with ERXD[3:1].

2.2.7.10 Carrier Receive Sense (E0CRS, E1CRS)

ECRS is an input signal that, when asserted, signals that transmit or receive medium is not idle, and applies to MII mode operation.

2.2.7.11 Transmit Data 1–3 (E0TXD[3:1], E1TXD[3:1])

These pins contain the serial output Ethernet data and are valid only during assertion of ETXEN in MII mode.

2.2.7.12 Transmit Error (E0TXER, E1TXER)

When the ETXER output is asserted for one or more clock cycles while ETXEN is also asserted, the PHY sends one or more illegal symbols. ETXER has no effect at 10 Mbps or when ETXEN is negated, and applies to MII mode operation.

2.2.7.13 Receive Data 1–3 (E0RXD[3:1], E1RXD[3:1])

These pins contain the Ethernet input data transferred from the PHY to the media-access controller when ERXDV is asserted in MII mode operation.

2.2.7.14 Receive Error (E0RXER, E1RXER)

ERXER is an input signal that, when asserted along with ERXDV, signals that the PHY has detected an error in the current frame. When ERXDV is not asserted, ERXER has no effect and applies to MII mode operation.

2.2.8 Universal Serial Bus (USB)

2.2.8.1 USB Differential Data (USBD+, USBD–)

USBD+ and USBD– are the outputs of the on-chip USB 2.0 transceiver. They provide differential data for the USB 2.0 bus.

2.2.8.2 USBVBUS

This is the USB cable Vbus monitor input.

2.2.8.3 USBRBIAS

This is the connection for external current setting resistor. It should be connected to a $9.1\text{k}\Omega \pm 1\%$ pull-down resistor.

For the MCF54871 and MCF54870 devices this pin should be connected to a $9.1\text{k}\Omega \pm 20\%$ pull-down resistor.

2.2.8.4 USBCLKIN

This is the input pin for 12-MHz USB crystal circuit.

2.2.8.5 USBCLKOUT

This is the output pin for 12-MHz USB crystal circuit.

2.2.9 DMA Serial Peripheral Interface (DSPI) Signals

2.2.9.1 DSPI Synchronous Serial Data Output (DSPISOUT)

The DSPISOUT output provides the serial data from the DSPI and can be programmed to be driven on the rising or falling edge of DSPISCK.

2.2.9.2 DSPI Synchronous Serial Data Input (DSPISIN)

The DSPISIN input provides the serial data to the DSPI and can be programmed to be sampled on the rising or falling edge of DSPISCK.

2.2.9.3 DSPI Serial Clock (DSPISCK)

DSPISCK is a serial communication clock signal. In master mode, the DSPI generates the DSPISCK. In slave mode, DSPISCK is an input from an external bus master.

2.2.9.4 DSPI Peripheral Chip Select/Slave Select (DSPICS0/ $\overline{\text{SS}}$)

In master mode, the DSPICS0 signal is a peripheral chip select output that selects which slave device the current transmission is intended for.

In slave mode, the $\overline{\text{SS}}$ signal is a slave select input signal that allows an SPI master to select the DSPI as the target for transmission.

2.2.9.5 DSPI Chip Selects (DSPICS[2:3])

The synchronous peripheral chip selects (DSPICS[2:3]) outputs provide DSPI peripheral chip selects that can be programmed to be active high or low.

2.2.9.6 **DSPI Peripheral Chip Select 5/Peripheral Chip Select Strobe (DSPICS5/PCSS)**

DSPICS5 is a peripheral chip select output signal. When the DSPI is in master mode and the DMCR[PCSSE] bit is cleared, this signal is used to select which slave device the current transfer is intended for.

$\overline{\text{PCSS}}$ provides a strobe signal that can be used with an external demultiplexer for deglitching of the DSPICS $_n$ signals. When the DSPI is in master mode and DMCR[PCSSE] is set, the $\overline{\text{PCSS}}$ provides the appropriate timing for the decoding of the DSPICS[0,2,3] signals which prevents glitches from occurring.

This signal is not used in slave mode.

2.2.10 **I²C I/O SIGNALS**

The I²C serial interface module uses the signals in this section.

2.2.10.1 **Serial Clock (SCL)**

This bidirectional open-drain signal is the clock signal for the I²C interface. It is either driven by the I²C module when the bus is in master mode, or it becomes the clock input when the I²C is in slave mode.

2.2.10.2 **Serial Data (SDA)**

This bidirectional open-drain signal is the data input/output for the I²C interface.

2.2.11 **PSC Module Signals**

The PSC modules use the signals in this section. The baud rate clock inputs are not supported.

2.2.11.1 **Transmit Serial Data Output (PSC0TXD, PSC1TXD, PSC2TXD, PSC3TXD)**

PSC $_n$ TXD are the transmitter serial data outputs for the PSC modules. The output is held high (mark condition) when the transmitter is disabled, idle, or in the local loopback mode. The PSC $_x$ TXD pins can be programmed to be driven low (break status) by a command.

2.2.11.2 **Receive Serial Data Input (PSC0RXD, PSC1RXD, PSC2RXD, PSC3RXD)**

PSC $_n$ RXD are the receiver serial data inputs for the PSC modules. When the PSC clock is stopped for power-down mode, any transition on the pins restarts them.

2.2.11.3 **Clear-to-Send ($\overline{\text{PSC}_n\text{CTS}}$ /PSCBCLK)**

These signals either operate as the clear-to-send input signals in UART mode or the bit clock input signals in modem modes and IrDA modes. In MIR and FIR mode, the frequency is a multiple of the input bit clock frequency, and the bit clock frequency should be within +/-0.1% and +/-0.01% of the ideal one, respectively.

2.2.11.4 Request-to-Send ($\overline{\text{PSCnRTS}}/\overline{\text{PSCFSYNC}}$)

The $\overline{\text{PSCnRTS}}$ signals act as transmitter request-to-send ($\overline{\text{RTS}}$) outputs in UART mode, the frame sync input in modem8 and modem16 modes, or the $\overline{\text{RTS}}$ output (which acts as frame sync) in AC97 modem mode.

2.2.12 DMA Controller Module Signals

The DMA controller module uses the signals in the following subsections to provide external requests for either a source or destination.

2.2.12.1 DMA Request ($\overline{\text{DREQ}}[1:0]$)

These inputs are asserted by a peripheral device to request an operand transfer between that peripheral and memory by either channel 0 or 1 of the on-chip DMA module.

2.2.12.2 DMA Acknowledge ($\overline{\text{DACK}}[1:0]$)

These outputs are asserted to acknowledge that a DMA request has been recognized.

2.2.13 Timer Module Signals

The signals in the following sections are external interfaces to the four general-purpose MCF547x timers. These 32-bit timers can capture timer values, trigger external events or internal interrupts, or count external events.

2.2.13.1 Timer Inputs ($\text{TIN}[3:0]$)

TIN_n can be programmed as clocks that cause events in the counter and prescalers. They can also cause captures on the rising edge, falling edge, or both edges.

2.2.13.2 Timer Outputs ($\text{TOUT}[3:0]$)

The programmable timer outputs, TOUT_n , pulse or toggle on various timer events.

2.2.14 Debug Support Signals

The MCF547x complies with the IEEE 1149.1a JTAG testing standard. JTAG test pins are multiplexed with background debug pins. Except for TCK, these signals are selected by the value of MTMOD0 . If MTMOD0 is high, JTAG signals are chosen; if it is low, debug module signals are chosen. MTMOD0 should be changed only while RSTI is asserted.

2.2.14.1 Processor Clock Output (PSTCLK)

The internal PLL generates this output signal, and is the processor clock output that is used as the timing reference for the debug bus timing ($\text{PSTDDATA}[7:0]$). PSTCLK is at the same frequency as the internal XLB and SDRAM bus frequency. The frequency is one-half the core frequency.

2.2.14.2 Processor Status Debug Data (PSTDDATA[7:0])

Processor status data outputs indicate both processor status and captured address/data values. They operate at half the processor's frequency, using PSTCLK. Given that real-time trace information appears as a sequence of 4-bit data values, there are no alignment restrictions; that is, PST values and operands may appear on either PSTDDATA[7:0] nibble. The upper nibble, PSTDDATA[7:4], is most significant.

2.2.14.3 Development Serial Clock/Test Reset (DSCLK/TRST)

If MTMOD0 is low, DSCLK is selected. DSCLK is the development serial clock for the serial interface to the debug module. The maximum DSCLK frequency is 1/5 CLKIN.

If MTMOD0 is high, TRST is selected. TRST asynchronously resets the internal JTAG controller to the test logic reset state, causing the JTAG instruction register to choose the bypass instruction. When this occurs, JTAG logic is benign and does not interfere with normal MCF547x functionality.

Although TRST is asynchronous, Freescale recommends that it makes an asserted-to-negated transition only while TMS is held high. TRST has an internal pull-up resistor so if it is not driven low, it defaults to a logic level of 1. If TRST is not used, it can be tied to ground or, if TCK is clocked, to EV_{DD}. Tying TRST to ground places the JTAG controller in test logic reset state immediately. Tying it to EV_{DD} causes the JTAG controller (if TMS is a logic level of 1) to eventually enter test logic reset state after 5 TCK clocks.

2.2.14.4 Breakpoint/Test Mode Select (BKPT/TMS)

If MTMOD0 is low, BKPT is selected. BKPT signals a hardware breakpoint to the processor in debug mode.

If MTMOD0 is high, TMS is selected. The TMS input provides information to determine the JTAG test operation mode. The state of TMS and the internal 16-state JTAG controller state machine at the rising edge of TCK determine whether the JTAG controller holds its current state or advances to the next state. This directly controls whether JTAG data or instruction operations occur. TMS has an internal pull-up resistor so that if it is not driven low, it defaults to a logic level of 1. But if TMS is not used, it should be tied to V_{DD}.

2.2.14.5 Development Serial Input/Test Data Input (DSI/TDI)

If MTMOD0 is low, DSI is selected. DSI provides the single-bit communication for debug module commands.

If MTMOD0 is high, TDI is selected. TDI provides the serial data port for loading the various JTAG boundary scan, bypass, and instruction registers. Shifting in data depends on the state of the JTAG controller state machine and the instruction in the instruction register. Shifts occur on the TCK rising edge. TDI has an internal pull-up resistor, so when not driven low it defaults to high. But if TDI is not used, it should be tied to EVDD.

2.2.14.6 Development Serial Output/Test Data Output (DSO/TDO)

If MTMOD0 is low, DSO is selected. DSO provides single-bit communication for debug module responses.

If MTMOD0 is high, TDO is selected. The TDO output provides the serial data port for outputting data from JTAG logic. Shifting out data depends on the JTAG controller state machine and the instruction in the instruction register. Data shifting occurs on the falling edge of TCK. When TDO is not outputting test

data, it is three-stated. TDO can be three-stated to allow bused or parallel connections to other devices having a JTAG port.

2.2.14.7 Test Clock (TCK)

TCK is the dedicated JTAG test logic clock independent of the MCF547x processor clock. Various JTAG operations occur on the rising or falling edge of TCK. Holding TCK high or low for an indefinite period does not cause JTAG test logic to lose state information. If TCK is not used, it must be tied to ground.

2.2.15 Test Signals

2.2.15.1 Test Mode (MTMOD[3:0])

The test mode signals choose between multiplexed debug module and JTAG signals. If MTMOD0 is low, the part is in normal and background debug mode (BDM); if it is high, it is in normal and JTAG mode. All other MTMOD values are reserved; MTMOD[3:1] should be tied to ground and MTMOD[3:0] should not be changed while $\overline{\text{RSTI}}$ is negated

2.2.16 Power and Reference Pins

These pins provide system power, ground, and references to the device. Multiple pins are provided for adequate current capability. All power supply pins must have adequate bypass capacitance for high-frequency noise suppression.

2.2.16.1 Positive Pad Supply (EVDD)

This pin supplies positive power to the I/O pads.

2.2.16.2 Positive Core Supply (IVDD)

This pin supplies positive power to the core logic.

2.2.16.3 Ground (VSS)

This pin is the negative supply (ground) to the chip.

2.2.16.4 USB Power (USBVDD)

This pin supplies positive power to the USB module's digital logic.

2.2.16.5 USB Oscillator Power (USB_OSCVDD)

This pin supplies positive power to the USB oscillator's digital logic.

2.2.16.6 USB PHY Power (USB_PHYVDD)

This pin supplies positive power to the USB PHY's digital logic.

2.2.16.7 USB Oscillator Analog Power (USB_OSCAVDD)

This pin supplies positive power to the USB oscillator's analog circuits.

2.2.16.8 USB PLL Analog Power (USB_PLLVDD)

This pin supplies positive power to the USB PLL's circuits.

2.2.16.9 SDRAM Memory Supply (SDVDD)

This pin supplies positive power to the SDRAM module.

2.2.16.10 PLL Analog Power (PLLVDD)

This pin supplies the positive power for the PLL.

2.2.16.11 PLL Analog Ground (PLLVSS)

This pin is the negative supply (ground) to the PLL.



THIS PAGE INTENTIONALLY LEFT BLANK

Part I

Processor Core

Part I is intended for system designers who need to understand the operation of the MCF547x ColdFire core and its enhanced multiply/accumulate (EMAC) execution unit. It describes the programming and exception models, Harvard memory implementation, and debug module.

Contents

Part I contains the following chapters:

- Chapter 3, “ColdFire Core,” provides an overview of the microprocessor core of the MCF547x. The chapter begins with a description of enhancements from the V3 ColdFire core, and then fully describes the V4e programming model as it is implemented on the MCF547x. It also includes a full description of exception handling, data formats, an instruction set summary, and a table of instruction timings.
- Chapter 4, “Enhanced Multiply-Accumulate Unit (EMAC),” describes the MCF547x enhanced multiply/accumulate unit, which executes integer multiply, multiply-accumulate, and miscellaneous register instructions. The EMAC is integrated into the operand execution pipeline (OEP).
- Chapter 5, “Memory Management Unit (MMU),” describes the ColdFire virtual memory management unit (MMU), which provides virtual-to-physical address translation and memory access control.
- Chapter 6, “Floating-Point Unit (FPU),” describes instructions implemented in the floating-point unit (FPU) designed for use with the ColdFire family of microprocessors.
- Chapter 7, “Local Memory,” describes the MCF547x implementation of the ColdFire V4e local memory specification.
- Chapter 8, “Debug Support,” describes the Revision C enhanced hardware debug support in the MCF547x. This revision of the ColdFire debug architecture encompasses earlier revisions.



Chapter 3

ColdFire Core

This chapter provides an overview of the microprocessor core of the MCF547x. The CF4e implementation of the Version 4 (V4) core includes the floating-point unit (FPU), enhanced multiply-accumulate unit (EMAC), and memory management unit (MMU); all are defined as optional in the V4 architecture. This chapter also includes a full description of exception handling, data formats, an instruction set summary, and a table of instruction timings.

3.1 Core Overview

The MCF547x is the first standard product to contain a Version 4e ColdFire microprocessor core. To create this next-generation, high-performance core, many advanced microarchitectural techniques were implemented. Most notable are a Harvard memory architecture, branch cache acceleration logic, and limited superscalar dual-instruction issue capabilities, which together provide 410 (Dhrystone 2.1) MIPS performance at 266 MHz.

The MCF5477x core design emphasizes performance and backward compatibility, and represents the next step on the ColdFire performance roadmap.

3.2 Features

The CF4e includes the following features defined as optional in the V4 core architecture:

- Floating-point unit (FPU)
- Virtual memory management unit (MMU)
- Enhanced multiply-accumulate unit (EMAC) for increased signal processing functionality plus backward code compatibility with the MAC unit of previous ColdFire processors

V4 architecture features are defined as follows:

- Variable-length RISC, clock-multiplied core
- Revision B of the ColdFire instruction set architecture (ISA_B), providing new instructions to improve performance and code density
- Two independent, decoupled pipelines—four-stage instruction fetch pipeline (IFP) and five-stage operand execution pipeline (OEP) for increased performance
- Ten-instruction, FIFO buffer that decouples the IFP and OEP
- Limited superscalar design approaches dual-issue performance with the cost of a scalar execution pipeline
- Two-level branch acceleration mechanism with a branch cache, plus a prediction table for increased performance of conditional Bcc instructions
- 32-bit address bus supporting 4 Gbytes of linear address space
- 32-bit data bus
- 16 user-accessible, 32-bit-wide, general-purpose registers
- Supervisor/user modes for system protection
- Two separate stack pointer (A7) registers—the supervisor stack pointer (SSP) and the user stack pointer (USP)—that provide the required isolation between operating modes to support the MMU.
- Vector base register to relocate the exception-vector table
- Optimized for high-level language constructs

3.2.1 Enhanced Pipelines

The IFP prefetches instructions. The OEP decodes instructions, fetches required operands, then executes the specified function. The two independent, decoupled pipeline structures maximize performance while minimizing core size. Pipeline stages are shown in [Figure 3-1](#) and are summarized as follows:

- Four-stage IFP (plus optional instruction buffer stage)
 - Instruction address generation (IAG) calculates the next prefetch address.
 - Instruction fetch cycle 1 (IC1) initiates prefetch on the processor's local instruction bus.
 - Instruction fetch cycle 2 (IC2) completes prefetch on the processor's local instruction bus.
 - Instruction early decode (IED) generates time-critical decode signals needed for the OEP.
 - Instruction buffer (IB) stage uses FIFO queue to minimize effects of fetch latency.
- Five-stage OEP with two optional processor bus write cycles
 - Decode stage (DS/secDS) decodes and selects for two sequential instructions.
 - Operand address generation (OAG) generates the address for the data operand.
 - Operand fetch cycle 1 and 2 (OC1 and OC2) fetch data operands.
 - Execute (EX) performs prescribed operations on previously fetched data operands.
 - Write data available (DA) makes data available for operand write operations only.
 - Store data (ST) updates memory element for operand write operations only.

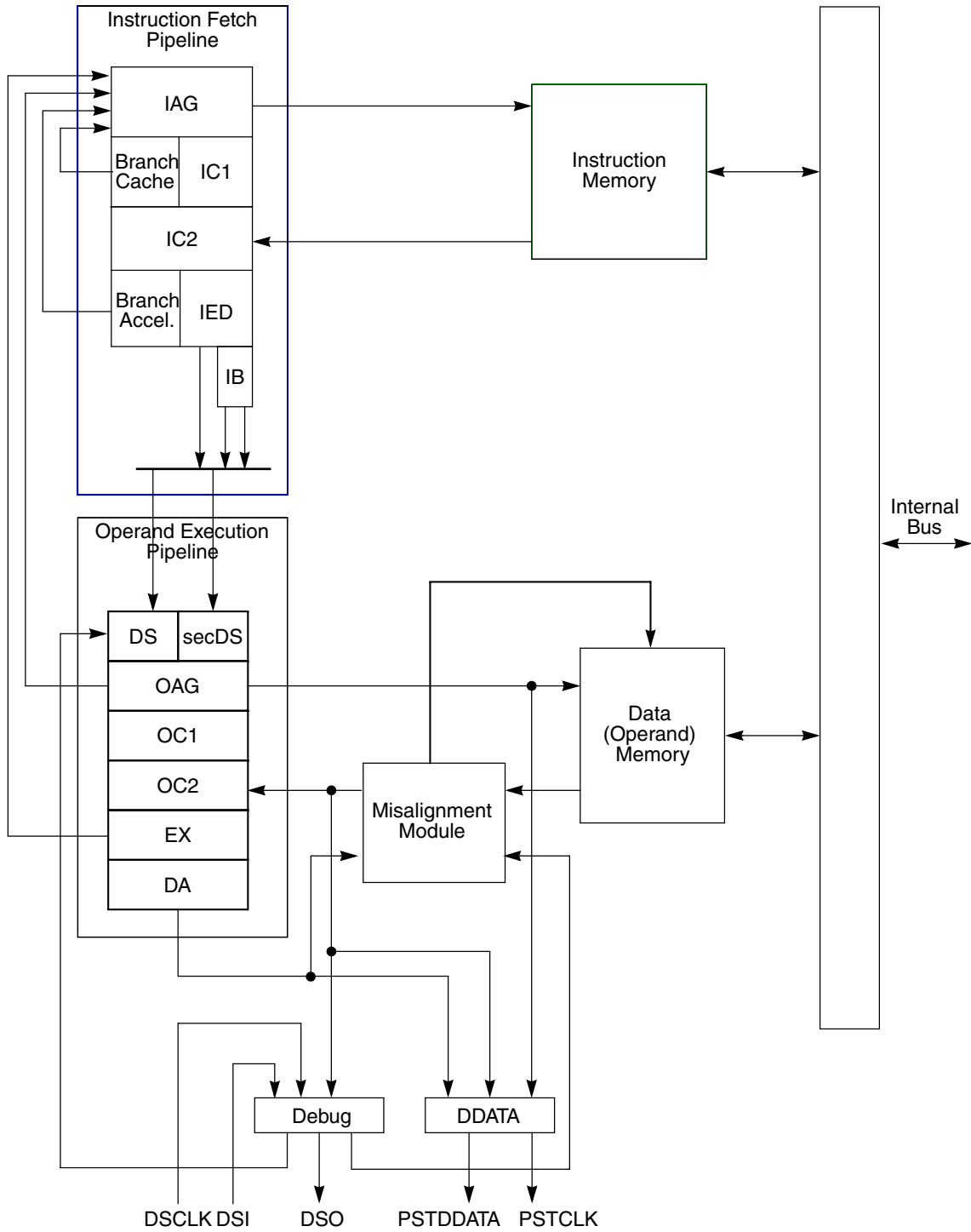


Figure 3-1. ColdFire Enhanced Pipeline

3.2.1.1 Instruction Fetch Pipeline (IFP)

Because the fetch and execution pipelines are decoupled by a ten-instruction FIFO buffer, the IFP can prefetch instructions before the OEP needs them, minimizing stalls.

3.2.1.1.1 Branch Acceleration

To maximize the performance of conditional branch instructions, the IFP implements a sophisticated two-level acceleration mechanism. The first level is an 8-entry, direct-mapped branch cache with 2 bits for indicating four prediction states (strongly or weakly; taken or not-taken) for each entry. The branch cache also provides the association between instruction addresses and the corresponding target address. In the event of a branch cache hit, if the branch is predicted as taken, the branch cache sources the target address from the IC1 stage back into the IAG to redirect the prefetch stream to the new location.

The branch cache implements instruction folding, so conditional branch instructions correctly predicted as taken can execute in zero cycles. For conditional branches with no information in the branch cache, a second-level, direct-mapped prediction table is accessed. Each of its 128 entries uses the same 2-bit prediction mechanism as the branch cache.

If a branch is predicted as taken, branch acceleration logic in the IED stage generates the target address. Other change-of-flow instructions, including unconditional branches, jumps, and subroutine calls, use a similar mechanism where the IFP calculates the target address. The performance of subroutine return instruction (RTS) is improved through the use of a four-entry, LIFO hardware return stack. In all cases, these mechanisms allow the IFP to redirect the fetch stream down the predicted path well ahead of instruction execution.

3.2.1.2 Operand Execution Pipeline (OEP)

The two instruction registers in the decode stage (DS) of the OEP are loaded from the FIFO instruction buffer or are bypassed directly from the instruction early decode (IED). The OEP consists of two traditional, two-stage RISC compute engines with a dual-ported register file access feeding an arithmetic logic unit (ALU).

The compute engine at the top of the OEP (the address ALU) is used typically for operand address calculations; the execution ALU at the bottom is used for instruction execution. The resulting structure provides 4 Gbytes/S operand bandwidth (at 162 MHz) to the two compute engines and supports single-cycle execution speeds for most instructions, including all load and store operations and most embedded-load operations. The V4 OEP supports the ColdFire Revision B instruction set, which adds a few new instructions to improve performance and code density.

The OEP also implements the following advanced performance features:

- Stalls are minimized by dynamically basing the choice between the address ALU or execution ALU for instruction execution on the pipeline state.
- The address ALU and register renaming resources together can execute heavily used opcodes and forward results to subsequent instructions with no pipeline stalls.
- Instruction folding involving MOVE instructions allows two instructions to be issued in one cycle. The resulting microarchitecture approaches full superscalar performance at a much lower silicon cost.

3.2.1.2.1 Illegal Opcode Handling

To aid in conversion from M68000 code, every 16-bit operation word is decoded to ensure that each instruction is valid. If the processor attempts execution of an illegal or unsupported instruction, an illegal instruction exception (vector 4) is taken.

3.2.1.2.2 Enhanced Multiply/Accumulate (EMAC) Unit

The EMAC unit in the Version 4e provides hardware support for a limited set of digital signal processing (DSP) operations used in embedded code, while supporting the integer multiply instructions in the ColdFire microprocessor family. The MAC features a four-stage execution pipeline, optimized for 32×32 multiplies. It is tightly coupled to the OEP, which can issue a 32×32 multiply with a 32-bit accumulation and fetch a 32-bit operand in a single cycle. A 32×32 multiply with a 32-bit accumulation requires four cycles before the next instruction can be issued.

Figure 3-2 shows basic functionality of the EMAC. A full set of instructions are provided for signed and unsigned integers plus signed, fixed-point fractional input operands.

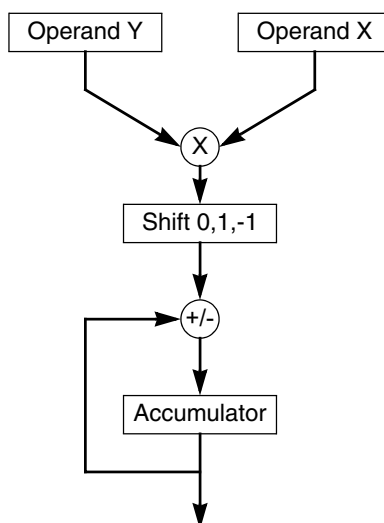


Figure 3-2. ColdFire Multiply-Accumulate Functionality Diagram

The EMAC provides functionality in the following three related areas, which are described in detail in Chapter 4, “Enhanced Multiply-Accumulate Unit (EMAC):”

- Signed and unsigned integer multiplies
- Multiply-accumulate operations with signed and unsigned fractional operands
- Miscellaneous register operations

3.2.1.2.3 Memory Management Unit (MMU)

The ColdFire memory management architecture provides a demand-paged, virtual-address environment with hardware address translation acceleration. It supports supervisor/user, read, write, and execute permission checking on a per-memory request basis.

The architecture defines the MMU TLB, associated control logic, TLB hit/miss logic, address translation based on the TLB contents, and access faults due to TLB misses and access violations. It intentionally leaves some virtual environment details undefined to maximize the software-defined flexibility. These include the exact structure of the memory-resident pointer descriptor/page descriptor tables, the base registers for these tables, the exact information stored in the tables, the methodology (if any) for maintenance of access, and written information on a per-page basis.

3.2.1.2.4 Floating Point Unit (FPU)

The floating-point unit (FPU) provides hardware support for floating point math operations. The FPU conforms to the American National Standards Institute (ANSI)/Institute of Electrical and Electronics Engineers (IEEE) *Standard for Binary Floating-Point Arithmetic* (ANSI/IEEE Standard 754).

The hardware unit is optimized for real-time execution with exceptions disabled and default results provided for specific operations, operands, and number types. The FPU does not support all IEEE-754 number types and operations in hardware. Exceptions can be enabled to support these cases in software.

3.2.1.2.5 Hardware Divide Unit

The hardware divide unit performs the following integer division operations:

- 32-bit operand/16-bit operand producing a 16-bit quotient and a 16-bit remainder
- 32-bit operand/32-bit operand producing a 32-bit quotient
- 32-bit operand/32-bit operand producing a 32-bit remainder

3.2.1.3 Harvard Memory Architecture

A Harvard memory architecture supports the increased bandwidth requirements of the CF4e processor pipelines by providing separate configuration, access control, and protection resources for data (operand) and instruction memory. The CF4e has separate instruction and data buses to processor-local memories, eliminating conflicts between instruction fetches and operand accesses.

3.2.2 Debug Module Enhancements

The ColdFire processor core debug interface supports system integration in conjunction with low-cost development tools. Real-time trace and debug information can be accessed through a standard interface, which allows the processor and system to be debugged at full speed without costly in-circuit emulators. The CF4e debug unit is a compatible upgrade to MCF52xx and MCF53xx debug modules with added support for the CF4e MMU module.

The Version 2 ColdFire core implemented the original debug architecture, now called Revision A. Based on feedback from customers and third-party developers, enhancements have been added to succeeding generations of ColdFire cores. For Revision A, CSR[HRL] is 0. See Section 8.4.5, “Configuration/Status Register (CSR).”

The Version 3 core implements Revision B of the debug architecture, offering more flexibility for configuring the hardware breakpoint trigger registers and removing the restrictions involving concurrent BDM processing while hardware breakpoint registers are active. For Revision B, CSR[HRL] is 1.

Revision C of the debug architecture more than doubles the on-chip breakpoint registers and provides an ability to interrupt debug service routines. For Revision C, CSR[HRL] is 2.

Differences between Revision B and C are summarized as follows:

- Debug Revision B has separate PST[3:0] and DDATA[3:0] signals.
- Debug Revision C adds breakpoint registers and supports normal interrupt request service during debug. It combines debug signals into PSTDDATA[7:0].

The addition of the memory management unit (MMU) to the baseline architecture requires corresponding enhancements to the ColdFire debug functionality, resulting in Revision D. For Revision D, the revision level bit, CSR[HRL], is 3.

With software support, the MMU can provide a demand-paged, virtual address environment. To support debugging in this virtual environment, the debug enhancements are primarily related to the expansion of the virtual address to include the 8-bit address space identifier (ASID). Conceptually, the virtual address is expanded to a 40-bit value: the 8-bit ASID plus the 32-bit address.

The expansion of the virtual address affects the following two major debug functions:

- The ASID is optionally included in the specification of the hardware breakpoint registers. As an example, the four PC breakpoint registers are each expanded by 8 bits, so that a specific ASID value may be programmed as part of the breakpoint instruction address. Likewise, each operand address/data breakpoint register is expanded to include an ASID value. Finally, new control registers define if and how the ASID is to be included in the breakpoint comparison trigger logic.
- The debug module implements the concept of ownership trace in which the ASID value may be optionally displayed as part of the real-time trace functionality. When enabled, real-time trace displays instruction addresses on every change-of-flow instruction that is not absolute or PC-relative. For Revision D, this instruction address display optionally includes the contents of the ASID, thus providing the complete instruction virtual address on these instructions. Additionally when a Sync_PC serial BDM command is loaded from the external development system, the processor optionally displays the complete virtual instruction address, including the 8-bit ASID value.

In addition to these ASID-related changes, the new MMU control registers are accessible by using serial BDM commands. The same BDM access capabilities are also provided for the EMAC and FPU programming models.

Finally, a new serial BDM command is implemented to assist debugging when a software error generates an incorrect memory address that hangs the external bus. The new BDM command attempts to break this condition by forcing a bus termination.

3.3 Programming Model

The MCF547x programming model consists of two instruction and register groups—user and supervisor, shown in [Figure 3-3](#). User mode programs are restricted to user, EMAC, and floating point instructions and programming models. Supervisor-mode system software can reference all user-mode, EMAC, and floating point instructions and registers and additional supervisor instructions and control registers. The user or supervisor programming model is selected based on SR[S]. The following sections describe the registers in the user, EMAC, floating point, and supervisor programming models.

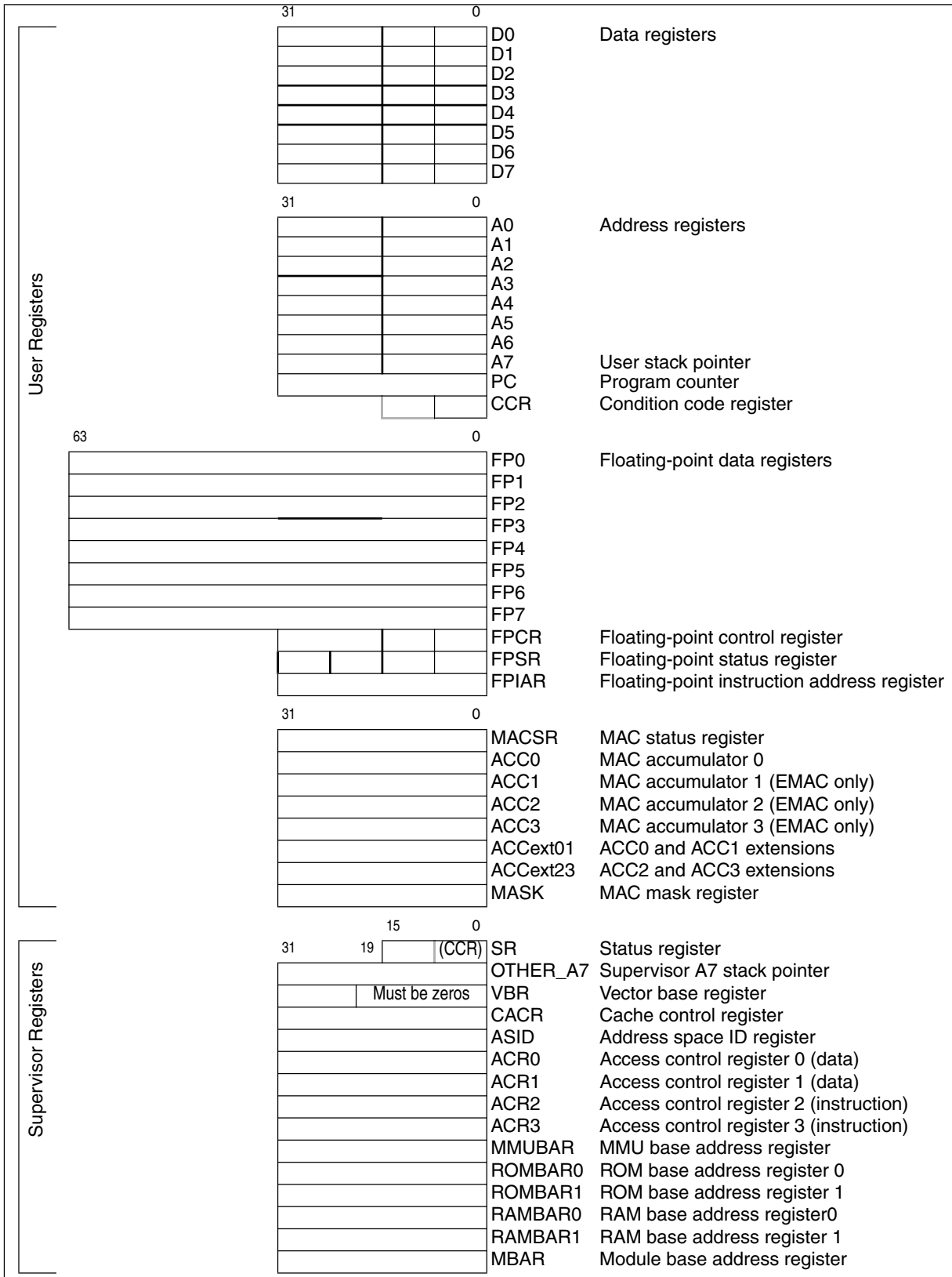


Figure 3-3. ColdFire Programming Model

3.3.1 User Programming Model

The user programming model, shown in [Figure 3-3](#), consists of the following registers:

- 16 general-purpose, 32-bit registers (D7–D0 and A7–A0); A7 is a user stack pointer
- 32-bit program counter
- 8-bit condition code register
- Registers to support the EMAC
- Register to support the floating-point unit (FPU)

3.3.1.1 Data Registers (D0–D7)

Registers D0–D7 are used as data registers for bit, byte (8-bit), word (16-bit), and longword (32-bit) operations. They may also be used as index registers.

3.3.1.2 Address Registers (A0–A6)

The address registers (A0–A6) can be used as software stack pointers, index registers, or base address registers, and may be used for word and longword operations.

3.3.2 User Stack Pointer (A7)

The CF4e architecture supports two unique stack pointer (A7) registers—the supervisor stack pointer (SSP) and the user stack pointer (USP). This support provides the required isolation between operating modes as dictated by the virtual memory management scheme provided by the memory management unit (MMU). The SSP is described in Section 5.4.2, “Supervisor/User Stack Pointers.”

3.3.2.1 Program Counter (PC)

The PC holds the address of the executing instruction. For sequential instructions, the processor automatically increments PC. When program flow changes, the PC is updated with the target instruction. For some instructions, the PC specifies the base address for PC-relative operand addressing modes.

3.3.2.2 Condition Code Register (CCR)

The CCR, [Figure 3-4](#), occupies SR[7–0], as shown in [Figure 3-3](#). The CCR[4–0] bits are indicator flags based on results generated by arithmetic operations.

	7	6	5	4	3	2	1	0
R	0	0	0	X	N	Z	V	C
W								
Reset	0	0	0	0	0	0	0	0
Reg Addr	Accessed using R/W commands for the status register							

Figure 3-4. Condition Code Register (CCR)

Table 3-1. CCR Field Descriptions

Bits	Name	Description
7–5	—	Reserved, should be cleared.
4	X	Extend condition code bit. Assigned the value of the carry bit for arithmetic operations; otherwise not affected or set to a specified result. Also used as an input operand for multiple-precision arithmetic.
3	N	Negative condition code bit. Set if the msb of the result is set; otherwise cleared.
2	Z	Zero condition code bit. Set if the result equals zero; otherwise cleared.
1	V	Overflow condition code bit. Set if an arithmetic overflow occurs, implying that the result cannot be represented in the operand size; otherwise cleared.
0	C	Carry condition code bit. Set if a carry-out of the data operand msb occurs for an addition or if a borrow occurs in a subtraction; otherwise cleared.

3.3.3 EMAC Programming Model

The registers in the EMAC portion of the user programming model are described in Chapter 4, “Enhanced Multiply-Accumulate Unit (EMAC),” and include the following registers:

- Four 48-bit accumulator registers partitioned as follows:
 - Four 32-bit accumulators (ACC0–ACC3)
 - Eight 8-bit accumulator extension bytes (two per accumulator). These are grouped into two 32-bit values for load and store operations (ACCExt01 and ACCExt23).

Accumulators and extension bytes can be loaded, copied, and stored, and results from EMAC arithmetic operations generally affect the entire 48-bit destination.

- Eight 8-bit accumulator extensions (two per accumulator), packaged as two 32-bit values for load and store operations (ACCExt01 and ACCExt23)
- One 16-bit mask register (MASK)
- One 32-bit status register (MACSR), including four indicator bits signaling product or accumulation overflow (one for each accumulator: PAV0–PAV3).

These registers are shown in [Figure 3-5](#).

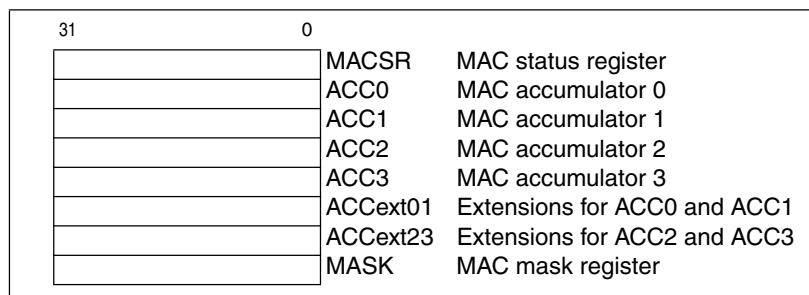


Figure 3-5. EMAC Register Set

3.3.4 FPU Programming Model

The registers in the FPU portion of the programming model are described in Chapter 6, “Floating-Point Unit (FPU),” and include the following registers:

- Eight 64-bit floating-point data registers (FP0–FP7)
- One 32-bit floating-point control register (FPCR)
- One 32-bit floating-point status register (FPSR)
- One 32-bit floating-point instruction address register (FPIAR)

Figure 3-6 shows the FPU programming model.

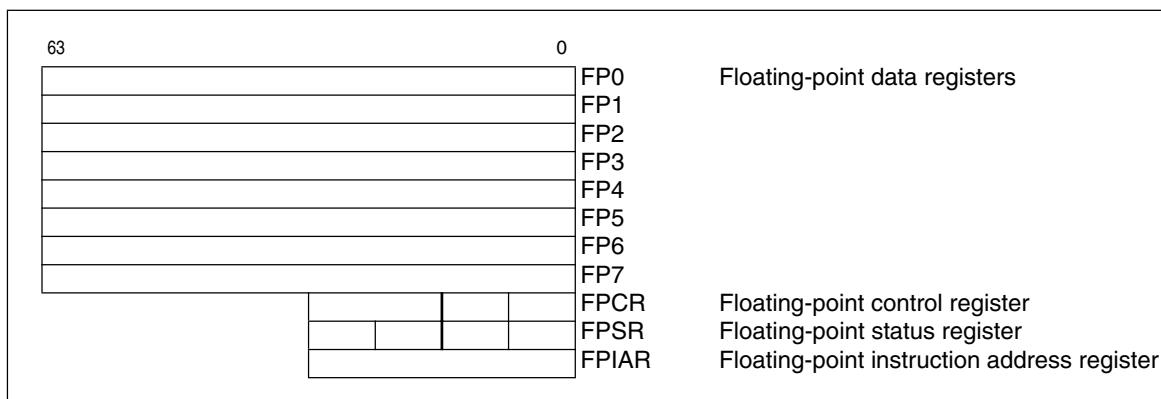


Figure 3-6. Floating-Point Programmer's Model

3.3.5 Supervisor Programming Model

The MCF547x supervisor programming model is shown in Figure 3-3. Typically, system programmers use the supervisor programming model to implement operating system functions and provide memory and I/O control. The supervisor programming model provides access to the user registers and additional supervisor registers, which include the upper byte of the status register (SR), the vector base register (VBR), and registers for configuring attributes of the address space connected to the Version 4 processor core. Most supervisor-level registers are accessed by using the MOVEC instruction with the control register definitions in Table 3-2.

Table 3-2. MOVEC Register Map

Rc[11–0]	Register Definition
0x002	Cache control register (CACR)
0x004	Access control register 0 (ACR0)
0x005	Access control register 1 (ACR1)
0x006	Access control register 2 (ACR2)
0x007	Access control register 3 (ACR3)
0x801	Vector base register (VBR)
0xC04	RAM base address register 0 (RAMBAR0)
0xC05	RAM base address register 1 (RAMBAR1)
0xC0F	Module base address register (MBAR)

3.3.5.1 Status Register (SR)

The SR stores the processor status, the interrupt priority mask, and other control bits. Supervisor software can read or write the entire SR; user software can read or write only SR[7–0], described in Condition Code Register (CCR).” The control bits indicate processor states—trace mode (T), supervisor or user mode (S), and master or interrupt state (M). SR is set to 0x27xx after reset.

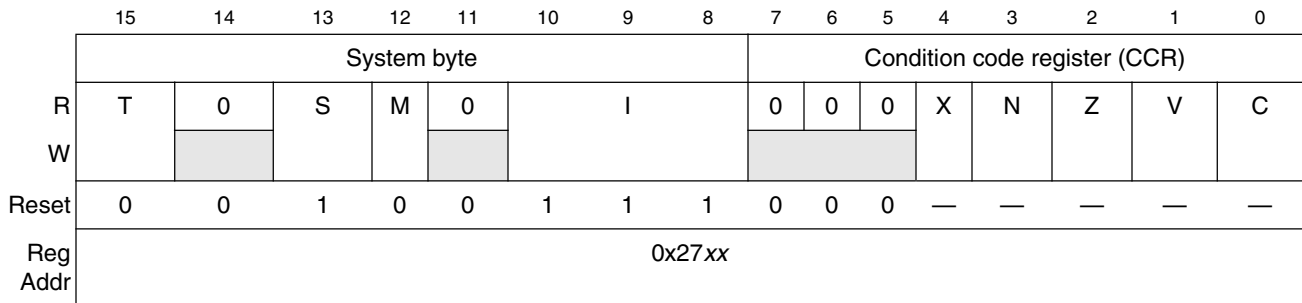


Figure 3-7. Status Register (SR)

Table 3-3 describes SR fields.

Table 3-3. SR Field Descriptions

Bits	Name	Description
15	T	Trace enable. When T is set, the processor performs a trace exception after every instruction.
13	S	Supervisor/user state. Indicates whether the processor is in supervisor or user mode 0 User mode 1 Supervisor mode
12	M	Master/interrupt state. Cleared by an interrupt exception. It can be set by software during execution of the RTE or move to SR instructions so the OS can emulate an interrupt stack pointer.
10–8	I	Interrupt priority mask. Defines the current interrupt priority. Interrupt requests are inhibited for all priority levels less than or equal to the current priority, except the edge-sensitive level-7 request, which cannot be masked.
7–0	CCR	Condition code register. See Table 3-1.

3.3.5.2 Vector Base Register (VBR)

The VBR holds the base address of the exception vector table in memory. The displacement of an exception vector is added to the value in this register to access the vector table. The VBR[19–0] bits are not implemented and are assumed to be zero, forcing the vector table to be aligned on a 0-modulo-1-Mbyte boundary.

	31	30	29	28	27	26	25	24	23	22	21	20	19	18	17	16
R	Exception vector table base address ¹												0	0	0	0
W																
Reset	0	0	0	0	0	0	0	0	0	0	0	0	0	0	0	0
Reg Addr	0x801															
	15	14	13	12	11	10	9	8	7	6	5	4	3	2	1	0
R	0	0	0	0	0	0	0	0	0	0	0	0	0	0	0	0
W																
Reset	0	0	0	0	0	0	0	0	0	0	0	0	0	0	0	0
Reg Addr	0x801															

¹ Written from a BDM serial command or from the CPU using the MOVEC instruction. VBR can be read from the debug module only. The upper 12 bits are returned, the low-order 20 bits are undefined.

Figure 3-8. Vector Base Register (VBR)

3.3.5.3 Cache Control Register (CACR)

The CACR controls operation of both the instruction and data cache memory. It includes bits for enabling, freezing, and invalidating cache contents. It also includes bits for defining the default cache mode and write-protect fields. See Section 7.10.1, “Cache Control Register (CACR).”

3.3.5.4 Access Control Registers (ACR0–ACR3)

The access control registers (ACR0–ACR3) define attributes for four user-defined memory regions: ACR0 and ACR1 control data memory space, and ACR2 and ACR3 control instruction memory space. Attributes include definition of cache mode, write protect and buffer write enables. See Section 7.10.2, “Access Control Registers (ACR0–ACR3).”

3.3.5.5 RAM Base Address Registers (RAMBAR0 and RAMBAR1)

The RAMBAR registers determine the base address location of the internal SRAM modules and indicate the types of references mapped to each. Each RAMBAR includes a base address, write-protect bit, address space mask bits, and an enable. The RAM base address must be aligned on a 0-module-2-Kbyte boundary. See Section 7.4.1, “SRAM Base Address Registers (RAMBAR0/RAMBAR1).”

3.3.5.6 Module Base Address Register (MBAR)

The module base address register (MBAR) defines the logical base address for the memory-mapped space containing the control registers for the on-chip peripherals. See Section 9.3.1, “Module Base Address Register (MBAR).”

3.3.6 Programming Model Table

Table 3-4 lists register names, the CPU space location, whether the register is written from the processor using the MOVEC instruction, and the complete register name.

Table 3-4. ColdFire CPU Registers

Name	CPU Space (Rc)	Written with MOVEC	Register Name
Memory Management Control Registers			
CACR	0x002	Yes	Cache control register
ASID	0x003	Yes	Address space identifier
ACR0–ACR3	0x004–0x007	Yes	Access control registers 0–3
MMUBAR	0x008	Yes	MMU base address register
Processor General-Purpose Registers			
D0–D7	0x(0,1)80–0x(0,1)87	No	Data registers 0–7 (0 = load, 1 = store)
A0–A7	0x(0,1)88–0x(0,1)8F	No	Address registers 0–7 (0 = load, 1 = store) A7 is user stack pointer
Processor Miscellaneous Registers			
OTHER_A7	0x800	No	Other stack pointer
VBR	0x801	Yes	Vector base register
MACSR	0x804	No	MAC status register
MASK	0x805	No	MAC address mask register
SR	0x80E	No	Status register
PC	0x80F	Yes	Program counter
Processor Floating-Point Registers			
FPU0	0x810	No	32 msbs of floating-point data register 0
FPL0	0x811	No	32 lsbs of floating-point data register 0
FPU1	0x812	No	32 msbs of floating-point data register 1
FPL1	0x813	No	32 lsbs of floating-point data register 1
FPU2	0x814	No	32 msbs of floating-point data register 2
FPL2	0x815	No	32 lsbs of floating-point data register 2
FPU3	0x816	No	32 msbs of floating-point data register 3
FPL3	0x817	No	32 lsbs of floating-point data register 3
FPU4	0x818	No	32 msbs of floating-point data register 4
FPL4	0x819	No	32 lsbs of floating-point data register 4
FPU5	0x81A	No	32 msbs of floating-point data register 5
FPL5	0x81B	No	32 lsbs of floating-point data register 5
FPU6	0x81C	No	32 msbs of floating-point data register 6
FPL6	0x81D	No	32 lsbs of floating-point data register 6
FPU7	0x81E	No	32 msbs of floating-point data register 7
FPL7	0x81F	No	32 lsbs of floating-point data register 7

Table 3-4. ColdFire CPU Registers (Continued)

Name	CPU Space (Rc)	Written with MOVEC	Register Name
FPIAR	0x821	No	Floating-point instruction address register
FPSR	0x822	No	Floating-point status register
FPCR	0x824	No	Floating-point control register
Local Memory and Module Control Registers			
RAMBAR0	0xC04	Yes	RAM base address register 0
RAMBAR1	0xC05	Yes	RAM base address register 1
MBAR	0xC0F	Yes	Primary module base address register (not a core register)

3.4 Data Format Summary

Table 3-5 lists the operand data formats. Integer operands can reside in registers, memory, or instructions. The operand size is either explicitly encoded in the instruction or implicitly defined by the instruction operation.

Table 3-5. Integer Data Formats

Operand Data Format	Size
Bit	1 bit
Byte integer	8 bits
Word integer	16 bits
Longword integer	32 bits

3.4.1 Data Organization in Registers

The following sections describe data organization in data, address, and control registers. Section 6.2.2, “Floating-Point Data Formats,” describes floating-point formatting.

3.4.1.1 Integer Data Format Organization in Registers

Figure 3-9 shows the integer format for data registers. Each integer data register is 32 bits wide. Byte and word operands occupy the lower 8- and 16-bit portions of integer data registers, respectively. Longword operands occupy the entire 32 bits of integer data registers. A data register that is either a source or destination operand only uses or changes the appropriate lower 8 or 16 bits in byte or word operations, respectively. The remaining high-order portion does not change. Note that the least-significant bit is bit 0 for all data types, whereas the msbs for longword integer is bit 31, the msb of a word integer is bit 15, and the msb of a byte integer is bit 7.

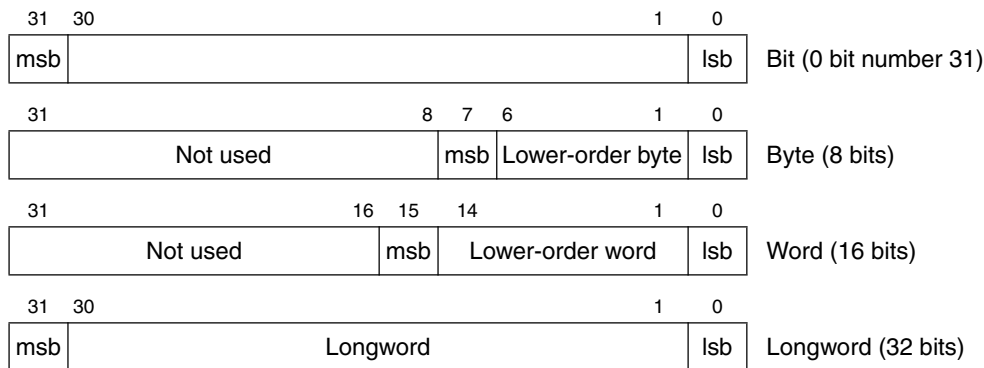


Figure 3-9. Organization of Integer Data Format in Data Registers

Instruction encodings disallow use of address registers for byte operands. When an address register is a source operand, either the low-order word or the entire longword operand is used, depending on the operation size. Word-length source operands are sign-extended to 32 bits and then used in the operation with an address register destination. When an address register is a destination, the entire register is affected, regardless of the operation size. [Figure 3-10](#) shows integer formats for address registers.

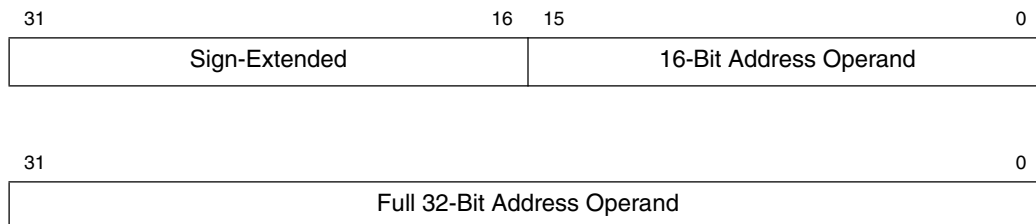


Figure 3-10. Organization of Integer Data Formats in Address Registers

The size of control registers varies according to function. Some have undefined bits reserved for future definition by Freescale. Those bits read as zeros and must be written as zeros for future compatibility. Operations to the SR and CCR are word-sized. The upper CCR byte is read as all zeros and is ignored when written, regardless of privilege mode.

3.4.1.2 Integer Data Format Organization in Memory

ColdFire processors use big-endian addressing. Byte-addressable memory organization allows lower addresses to correspond to higher-order bytes. The address N of a longword data item corresponds to the address of the high-order word. The lower-order word is at address $N + 2$. The address of a word data item corresponds to the address of the high-order byte. The lower-order byte is at address $N + 1$. This organization is shown in [Figure 3-11](#).



Figure 3-11. Memory Operand Addressing

3.4.2 EMAC Data Representation

The EMAC supports the following three modes, where each mode defines a unique operand type.

- Two's complement signed integer: In this format, an N-bit operand value lies in the range $-2^{(N-1)} \leq \text{operand} \leq 2^{(N-1)} - 1$. The binary point is right of the lsb.
- Unsigned integer: In this format, an N-bit operand value lies in the range $0 \leq \text{operand} \leq 2^N - 1$. The binary point is right of the lsb.
- Two's complement, signed fractional: In an N-bit number, the first bit is the sign bit. The remaining bits signify the first N-1 bits after the binary point. Given an N-bit number, $a_{N-1}a_{N-2}a_{N-3}\dots a_2a_1a_0$, its value is given by the equation in Figure 3-12.

$$\text{value} = -(1 \cdot a_{N-1}) + \sum_{i=0}^{N-2} 2^{(i+1-N)} \cdot a_i$$

Figure 3-12. Two's Complement, Signed Fractional Equation

This format can represent numbers in the range $-1 \leq \text{operand} \leq 1 - 2^{(N-1)}$.

For words and longwords, the largest negative number that can be represented is -1, whose internal representation is 0x8000 and 0x8000_0000, respectively. The largest positive word is 0x7FFF or $(1 - 2^{-15})$; the most positive longword is 0x7FFF_FFFF or $(1 - 2^{-31})$.

For more information, see Chapter 4, "Enhanced Multiply-Accumulate Unit (EMAC)."

3.4.2.1 Floating-Point Data Formats and Types

The FPU supports signed byte, word, and longword integer formats, which are identical to those supported by the integer unit. The FPU also supports single- and double-precision binary floating-point formats that fully comply with the IEEE-754 standard.

For more information, see Chapter 6, "Floating-Point Unit (FPU)."

3.4.2.1.1 Signed-Integer Data Formats

The FPU supports 8-bit byte (B), 16-bit word (W), and 32-bit longword (L) integer data formats.

3.4.2.1.2 Floating-Point Data Formats

Figure 3-13 shows the two binary floating-point data formats.

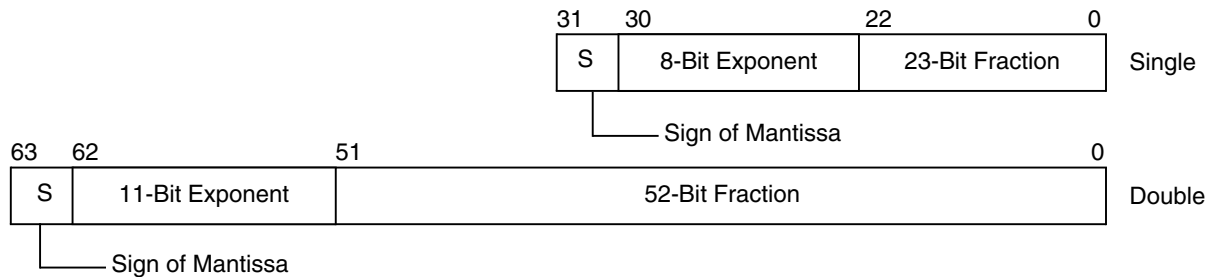


Figure 3-13. Floating-Point Data Formats

Note that, throughout this chapter, a mantissa is defined as the concatenation of an integer bit, the binary point, and a fraction. A fraction is the term designating the bits to the right of the binary point in the mantissa.

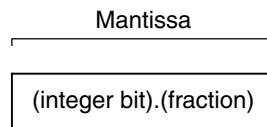


Figure 3-14. Mantissa

The integer bit is implied to be set for normalized numbers and infinities, clear for zeros and denormalized numbers. For not-a-numbers (NaNs), the integer bit is ignored. The exponent in both floating-point formats is an unsigned binary integer with an implied bias added to it. Subtracting the bias from exponent yields a signed, two's complement power of two. This represents the magnitude of a normalized floating-point number when multiplied by the mantissa.

By definition, a normalized mantissa always takes values starting from 1.0 and going up to, but not including, 2.0; that is, [1.0...2.0).

3.5 Addressing Mode Summary

Addressing modes are categorized by how they are used. Data addressing modes refer to data operands. Memory addressing modes refer to memory operands. Alterable addressing modes refer to alterable (writable) data operands. Control addressing modes refer to memory operands without an associated size.

These categories sometimes combine to form more restrictive categories. Two combined classifications are alterable memory (both alterable and memory) and data alterable (both alterable and data). Twelve of the most commonly used effective addressing modes from the M68000 Family are available on ColdFire microprocessors. Table 3-6 summarizes these modes and their categories.

Table 3-6. ColdFire Effective Addressing Modes

Addressing Modes	Syntax	Mode Field	Reg. Field	Category			
				Data	Memory	Control	Alterable
Register direct							
Data	Dn	000	reg. no.	X	—	—	X
Address	An	001	reg. no.	—	—	—	X
Register indirect							
Address	(An)	010	reg. no.	X	X	X	X
Address with Postincrement	(An)+	011	reg. no.	X	X	—	X
Address with Predecrement	-(An)	100	reg. no.	X	X	—	X
Address with Displacement	(d ₁₆ , An)	101	reg. no.	X	X	X	X
Address register indirect with scaled index 8-bit displacement	(d ₈ , An, Xi*SF)	110	reg. no.	X	X	X	X
Program counter indirect with displacement	(d ₁₆ , PC)	111	010	X	X	X	—
Program counter indirect with scaled index 8-bit displacement	(d ₈ , PC, Xi*SF)	111	011	X	X	X	—
Absolute data addressing							
Short	(xxx).W	111	000	X	X	X	—
Long	(xxx).L	111	001	X	X	X	—
Immediate	#<xxx>	111	100	X	X	—	—

3.6 Instruction Set Summary

The ColdFire instruction set is a simplified version of the M68000 instruction set. The removed instructions include BCD, bit field, logical rotate, decrement and branch, and integer multiply with a 64-bit result.

“About This Book” lists notational conventions used throughout this manual.

3.6.1 Additions to the Instruction Set Architecture

The original ColdFire ISA was derived from M68000 Family opcodes based on extensive analysis of embedded application code. After the first ColdFire compilers were created, developers identified ISA additions that would enhance both code density and overall performance. Additionally, as users implemented ColdFire-based designs into a wide range of embedded systems, they identified frequently used instruction sequences that could be improved by creating new instructions. This observation was especially prevalent in environments that used substantial amounts of assembly language code.

The original ISA minimized support for instructions referencing byte and word operands. MOVE.B and MOVE.W were fully supported; otherwise, only CLR (clear) and TST (test) supported these data types.

Based on input from compiler writers and system users, a set of instruction enhancements was proposed to address the following:

- Enhanced support for byte and word-sized operands through new move operations
- Enhanced support for position-independent code

For descriptions of the ColdFire instruction set, see the latest version of the *ColdFire Programmer's Reference Manual*.

The following list summarizes new and enhanced instructions of ISA_B:

- New instructions:
 - INTOUCH loads blocks of instructions to be locked in the instruction cache.
 - MOV3Q.L moves 3-bit immediate data to the destination location.
 - MOVE to/from USP loads and stores user stack pointer.
 - MVS.{B,W} sign-extends the source operand and moves it to the destination register.
 - MVZ.{B,W} zero-fills the source operand and moves it to the destination register.
 - SATS.L performs a saturation operation for signed arithmetic and updates the destination register depending on CCR[V] and bit 31 of the register.
 - TAS.B performs an indivisible read-modify-write cycle to test and set the addressed memory byte.
- Enhancements to existing Revision_A instructions:
 - Longword support for branch instructions (Bcc, BRA, BSR)
 - Byte and word support for compare instructions (CMP, CMPI)
 - Word support for the compare address register instruction (CMPA)
 - Byte and longword support for MOVE.x, where the source is immediate data and the destination is specified by d16(Ax); that is, MOVE.{B,W} #<data>, d16(Ax)
- Floating-point instructions. See Chapter 6, "Floating-Point Unit (FPU)."
- EMAC instructions. See Chapter 4, "Enhanced Multiply-Accumulate Unit (EMAC)," for more information.

Table 3-7 shows the syntax for the new and enhanced instructions. As Table 3-7 shows, some ISA_B opcodes were defined in the M68000 family and others are new.

Table 3-7. V4 New Instruction Summary

Instruction	Mnemonic ¹	Source	Destination	M68000
ISA_B Extensions				
Branch Always	bra.l		<label>	Yes
Branch Conditionally	bcc.l		<label>	Yes
Branch to Subroutine	bsr.l		<label>	Yes
Compare	cmp.{b,w,l}	<ea>y	Dx	Yes
Compare Address	cmpa.w	<ea>y	Ax	Yes
Compare Immediate	cmpi.{b,w}	#<data>	Dx	Yes
Instruction Fetch Touch	intouch	<Ay>		
Move 3-Bit Data Quick	mov3q.l	#<data>	<ea>x	
Move Data Source to Destination	move.{b,w}	#<data>	d16(Ax)	Yes

Table 3-7. V4 New Instruction Summary (Continued)

Instruction	Mnemonic ¹	Source	Destination	M68000
Move from USP	move.l	USP	Ax	Yes
Move to USP	move.l	Ay	USP	Yes
Move with Sign Extend	mvs.{b,w}	<ea>y	Dx	
Move with Zero-Fill	mvz.{b,w}	<ea>y	Dx	
Signed Saturate	sats.l		Dx	
Test and Set an Operand	tas.b		<ea>x	Yes
EMAC Extensions				
Move from an Accumulator and Clear	movclr.l	ACCx	Rx	No
Copy an Accumulator	move.l	ACCy	ACCx	No
Move from Accumulator 0 and 1 Extensions	move.l	ACCext01	Rx	No
Move from Accumulator 2 and 3 Extensions	move.l	ACCext23	Rx	No
Move to Accumulator 0 and 1 Extensions	move.l	Ry	ACCext01	No
Move to Accumulator 2 and 2 Extensions	move.l	Ry	ACCext23	No
FPU Instructions				
Floating-Point Absolute Value	fabs.{b,w,l,s,d}	<ea>y	FPx	Yes
Floating-Point Add	fadd.{b,w,l,s,d}	<ea>y	FPx	Yes
Floating-Point Branch Conditionally	fbcc.{w,l}		<label>	Yes
Floating-Point Compare	fcmp.{b,w,l,s,d}	<ea>y	FPx	Yes
Floating-Point Divide	fdiv.{b,w,l,s,d}	<ea>y	FPx	Yes
Floating-Point Integer	fint.{b,w,l,s,d}	<ea>y	FPx	Yes
Floating-Point Integer Round-to-Zero	fintrz.{b,w,l,s,d}	<ea>y	FPx	Yes
Move Floating-Point Data Register	fmove.{b,w,l,s,d}	<ea>y	FPx	Yes
Move from FPCR	fmove.l	FPCR	<ea>x	Yes
Move from FPIAR	fmove.l	FPIAR	<ea>x	Yes
Move from FPSR	fmove.l	FPSR	<ea>x	Yes
Move from FPCR	fmove.l	<ea>y	FPCR	Yes
Move from FPIAR	fmove.l	<ea>y	FPIAR	Yes
Move from FPSR	fmove.l	<ea>y	FPSR	Yes
Move Multiple Floating Point Data Registers	fmovem.d	#list <ea>y	<ea>x #list	Yes
Floating-Point Multiply	fmul.{b,w,l,s,d}	<ea>y	FPx	Yes
Floating-Point Negate	fneg.{b,w,l,s,d}	<ea>y	FPx	Yes
Floating-Point No Operation	fnop			Yes

Table 3-7. V4 New Instruction Summary (Continued)

Instruction	Mnemonic¹	Source	Destination	M68000
Restore Internal Floating Point State	frestore	<ea>y		Yes
Save Internal Floating Point State	fsave		<ea>x	Yes
Floating-Point Square Root	fsqrt.{b,w,l,s,d}	<ea>y	FPx	Yes
Floating-Point Subtract	fsub.{b,w,l,s,d}	<ea>y	FPx	Yes
Test Floating-Point Operand	ftst.{b,w,l,s,d}	<ea>y		Yes

¹ Operand sizes in this column reflect only newly supported operand sizes for existing instructions (Bcc, BRA, BSR, CMP, CMPA, CMPI, and MOVE)

3.6.2 Instruction Set Summary

Table 3-8 lists user-mode instructions by opcode.

Table 3-8. User-Mode Instruction Set Summary

Instruction	Operand Syntax	Operand Size	Operation
ADD ADDA	Dy,<ea>x <ea>y,Dx <ea>y,Ax	L L L	Source + Destination → Destination
ADDI ADDQ	#<data>,Dx #<data>,<ea>x	L L	Immediate Data + Destination → Destination
ADDX	Dy,Dx	L	Source + Destination + CCR[X] → Destination
AND	<ea>y,Dx Dy,<ea>x	L L	Source & Destination → Destination
ANDI	#<data>, Dx	L	Immediate Data & Destination → Destination
ASL	Dy,Dx #<data>,Dx	L L	CCR[X,C] ← (Dx << Dy) ← 0 CCR[X,C] ← (Dx << #<data>) ← 0
ASR	Dy,Dx #<data>,Dx	L L	msb → (Dx >> Dy) → CCR[X,C] msb → (Dx >> #<data>) → CCR[X,C]
Bcc	<label>	B, W, L	If Condition True, Then PC + d _n → PC
BCHG	Dy,<ea>x #<data>,<ea>x	B, L B, L	~ (<bit number> of Destination) → CCR[Z] → <bit number> of Destination
BCLR	Dy,<ea>x #<data>,<ea>x	B, L B, L	~ (<bit number> of Destination) → CCR[Z]; 0 → <bit number> of Destination
BRA	<label>	B, W, L	PC + d _n → PC
BSET	Dy,<ea>x #<data>,<ea>x	B, L B, L	~ (<bit number> of Destination) → CCR[Z]; 1 → <bit number> of Destination
BSR	<label>	B, W, L	SP – 4 → SP; nextPC → (SP); PC + d _n → PC
BTST	Dy,<ea>x #<data>,<ea>x	B, L B, L	~ (<bit number> of Destination) → CCR[Z]
CLR	<ea>x	B, W, L	0 → Destination
CMP CMPA	<ea>y,Dx <ea>y,Ax	B, W, L W, L	Destination – Source → CCR
CMPI	#<data>,Dx	B, W, L	Destination – Immediate Data → CCR
DIVS/DIVU	<ea>y,Dx	W, L	Destination / Source → Destination (Signed or Unsigned)
EOR	Dy,<ea>x	L	Source ^ Destination → Destination
EORI	#<data>,Dx	L	Immediate Data ^ Destination → Destination
EXT EXTB	Dx Dx Dx	B → W W → L B → L	Sign-Extended Destination → Destination

Table 3-8. User-Mode Instruction Set Summary (Continued)

Instruction	Operand Syntax	Operand Size	Operation
FABS	<ea>y,FPx FPy,FPx FPx	B,W,L,S,D D D	Absolute Value of Source → FPx Absolute Value of FPx → FPx
FADD	<ea>y,FPx FPy,FPx	B,W,L,S,D D	Source + FPx → FPx
FBcc	<label>	W, L	If Condition True, Then PC + d _n → PC
FCMP	<ea>y,FPx FPy,FPx	B,W,L,S,D D	FPx - Source
FDABS	<ea>y,FPx FPy,FPx FPx	B,W,L,S,D D D	Absolute Value of Source → FPx; round destination to double Absolute Value of FPx → FPx; round destination to double
FDADD	<ea>y,FPx FPy,FPx	B,W,L,S,D D	Source + FPx → FPx; round destination to double
FDDIV	<ea>y,FPx FPy,FPx	B,W,L,S,D D	FPx / Source → FPx; round destination to double
FDIV	<ea>y,FPx FPy,FPx	B,W,L,S,D D	FPx / Source → FPx
FDMOVE	FPy,FPx	D	Source → Destination; round destination to double
FDMUL	<ea>y,FPx FPy,FPx	B,W,L,S,D D	Source * FPx → FPx; round destination to double
FDNEG	<ea>y,FPx FPy,FPx FPx	B,W,L,S,D D D	-(Source) → FPx; round destination to double -(FPx) → FPx; round destination to double
FDSQRT	<ea>y,FPx FPy,FPx FPx	B,W,L,S,D D D	Square Root of Source → FPx; round destination to double Square Root of FPx → FPx; round destination to double
FDSUB	<ea>y,FPx FPy,FPx	B,W,L,S,D D	FPx - Source → FPx; round destination to double
FINT	<ea>y,FPx FPy,FPx FPx	B,W,L,S,D D D	Integer Part of Source → FPx Integer Part of FPx → FPx
FINTRZ	<ea>y,FPx FPy,FPx FPx	B,W,L,S,D D D	Integer Part of Source → FPx; round to zero Integer Part of FPx → FPx; round to zero
FMOVE	<ea>y,FPx FPy,<ea>x FPy,FPx FPcr,<ea>x <ea>y,FPcr	B,W,L,S,D B,W,L,S,D D L L	Source → Destination FPcr can be any floating point control register: FPCR, FPIAR, FPSR
FMOVEM	#list,<ea>x <ea>y,#list	D	Listed registers → Destination Source → Listed registers

Table 3-8. User-Mode Instruction Set Summary (Continued)

Instruction	Operand Syntax	Operand Size	Operation
FMUL	<ea>y,FPx FPy,FPx	B,W,L,S,D D	Source * FPx → FPx
FNEG	<ea>y,FPx FPy,FPx FPx	B,W,L,S,D D D	-(Source) → FPx -(FPx) → FPx
FNOP	none	none	PC + 2 → PC (FPU Pipeline Synchronized)
FSABS	<ea>y,FPx FPy,FPx FPx	B,W,L,S,D D D	Absolute Value of Source → FPx; round destination to single Absolute Value of FPx → FPx; round destination to single
FSADD	<ea>y,FPx FPy,FPx	B,W,L,S,D	Source + FPx → FPx; round destination to single
FSDIV	<ea>y,FPx FPy,FPx	B,W,L,S,D D	FPx / Source → FPx; round destination to single
FSMOVE	<ea>y,FPx	B,W,L,S,D	Source → Destination; round destination to single
FSMUL	<ea>y,FPx FPy,FPx	B,W,L,S,D D	Source * FPx → FPx; round destination to single
FSNEG	<ea>y,FPx FPy,FPx FPx	B,W,L,S,D D D	-(Source) → FPx; round destination to single -(FPx) → FPx; round destination to single
FSQRT	<ea>y,FPx FPy,FPx FPx	B,W,L,S,D D D	Square Root of Source → FPx Square Root of FPx → FPx
FSSQRT	<ea>y,FPx FPy,FPx FPx	B,W,L,S,D D D	Square Root of Source → FPx; round destination to single Square Root of FPx → FPx; round destination to single
FSSUB	<ea>y,FPx FPy,FPx	B,W,L,S,D D	FPx - Source → FPx; round destination to single
FSUB	<ea>y,FPx FPy,FPx	B,W,L,S,D D	FPx - Source → FPx
FTST	<ea>y	B, W, L, S, D	Source Operand Tested → FPCC
ILLEGAL	none	none	SP - 4 → SP; PC → (SP) → PC; SP - 2 → SP; SR → (SP); SP - 2 → SP; Vector Offset → (SP); (VBR + 0x10) → PC
JMP	<ea>y	none	Source Address → PC
JSR	<ea>y	none	SP - 4 → SP; nextPC → (SP); Source → PC
LEA	<ea>y,Ax	L	<ea>y → Ax
LINK	Ay,#<displacement>	W	SP - 4 → SP; Ay → (SP); SP → Ay, SP + d _n → SP
LSL	Dy,Dx #<data>,Dx	L L	CCR[X,C] ← (Dx << Dy) ← 0 CCR[X,C] ← (Dx << #<data>) ← 0

Table 3-8. User-Mode Instruction Set Summary (Continued)

Instruction	Operand Syntax	Operand Size	Operation
LSR	Dy,Dx #<data>,Dx	L L	0 → (Dx >> Dy) → CCR[X,C] 0 → (Dx >> #<data>) → CCR[X,C]
MAC	Ry,RxSF,ACCx Ry,RxSF,<ea>y,Rw,ACCx	W, L W, L	ACCx + (Ry * Rx){<< >>}SF → ACCx ACCx + (Ry * Rx){<< >>}SF → ACCx; (<ea>y(&MASK)) → Rw
MOV3Q	#<data>,<ea>x	L	Immediate Data → Destination
MOVCLR	ACCy,Rx	L	Accumulator → Destination, 0 → Accumulator
MOVE MOVE from CCR MOVE to CCR	<ea>y,<ea>x MACcr,Dx <ea>y,MACcr CCR,Dx <ea>y,CCR	B,W,L L L W W	Source → Destination where MACcr can be any MAC control register: ACCx, ACCext01, ACCext23, MACSR, MASK
MOVEA	<ea>y,Ax	W,L → L	Source → Destination
MOVEM	#list,<ea>x <ea>y,#list	L	Listed Registers → Destination Source → Listed Registers
MOVEQ	#<data>,Dx	B → L	Immediate Data → Destination
MSAC	Ry,RxSF,ACCx Ry,RxSF,<ea>y,Rw,ACCx	W, L W, L	ACCx - (Ry * Rx){<< >>}SF → ACCx ACCx - (Ry * Rx){<< >>}SF → ACCx; (<ea>y(&MASK)) → Rw
MULS/MULU	<ea>y,Dx	W * W → L L * L → L	Source * Destination → Destination (Signed or Unsigned)
MVS	<ea>y,Dx	B,W	Source with sign extension → Destination
MVZ	<ea>y,Dx	B,W	Source with zero fill → Destination
NEG	Dx	L	0 – Destination → Destination
NEGX	Dx	L	0 – Destination – CCR[X] → Destination
NOP	none	none	PC + 2 → PC (Integer Pipeline Synchronized)
NOT	Dx	L	~ Destination → Destination
OR	<ea>y,Dx Dy,<ea>x	L L	Source Destination → Destination
ORI	#<data>,Dx	L	Immediate Data Destination → Destination
PEA	<ea>y	L	SP – 4 → SP; <ea>y → (SP)
PULSE	none	none	Set PST = 0x4
REMS/REMU	<ea>y,Dw:Dx	L	Destination / Source → Remainder (Signed or Unsigned)
RTS	none	none	(SP) → PC; SP + 4 → SP

Table 3-8. User-Mode Instruction Set Summary (Continued)

Instruction	Operand Syntax	Operand Size	Operation
SATS	Dx	L	If CCR[V] == 1; then if Dx[31] == 0; then Dx[31:0] = 0x80000000; else Dx[31:0] = 0x7FFFFFFF; else Dx[31:0] is unchanged
Scc	Dx	B	If Condition True, Then 1s → Destination; Else 0s → Destination
SUB	<ea>y,Dx	L	Destination - Source → Destination
SUBA	Dy,<ea>x <ea>y,Ax	L	
SUBI	#<data>,Dx	L	Destination – Immediate Data → Destination
SUBQ	#<data>,<ea>x	L	
SUBX	Dy,Dx	L	Destination – Source – CCR[X] → Destination
SWAP	Dx	W	MSW of Dx ↔ LSW of Dx
TAS	<ea>x	B	Destination Tested → CCR; 1 → bit 7 of Destination
TPF	none #<data> #<data>	none W L	PC + 2 → PC PC + 4 → PC PC + 6 → PC
TRAP	#<vector>	none	1 → S Bit of SR; SP – 4 → SP; nextPC → (SP); SP – 2 → SP; SR → (SP) SP – 2 → SP; Format/Offset → (SP) (VBR + 0x80 + 4*n) → PC, where n is the TRAP number
TST	<ea>y	B, W, L	Source Operand Tested → CCR
UNLK	Ax	none	Ax → SP; (SP) → Ax; SP + 4 → SP
WDDATA	<ea>y	B, W, L	Source → DDATA port

Table 3-9 describes supervisor-mode instructions.

Table 3-9. Supervisor-Mode Instruction Set Summary

Instruction	Operand Syntax	Operand Size	Operation
CPUSHL	ic,(Ax) dc,(Ax) bc,(Ax)	none	If data is valid and modified, push cache line; invalidate line if programmed in CACR (synchronizes pipeline)
FRESTORE	<ea>y	none	FPU State Frame → Internal FPU State
FSAVE	<ea>x	none	Internal FPU State → FPU State Frame
HALT	none	none	Halt processor core
INTOUCH	Ay	none	Instruction fetch touch at (Ay)
MOVE from SR	SR,Dx	W	SR → Destination
MOVE from USP	USP,Dx	L	USP → Destination

Table 3-9. Supervisor-Mode Instruction Set Summary (Continued)

Instruction	Operand Syntax	Operand Size	Operation
MOVE to SR	<ea>y,SR	W	Source → SR; Dy or #<data> source only
MOVE to USP	Ay,USP	L	Source → USP
MOVEC	Ry,Rc	L	Ry → Rc
RTE	none	none	2 (SP) → SR; 4 (SP) → PC; SP + 8 → SP Adjust stack according to format
STOP	#<data>	none	Immediate Data → SR; STOP
WDEBUG	<ea>y	L	Addressed Debug WDMREG Command Executed

3.7 Instruction Execution Timing

The timing data in this section assumes the following:

- Execution times for individual instructions make no assumptions concerning the OEP's ability to dispatch multiple instructions in one machine cycle. For sequences where instruction pairs are issued, the execution time of the first instruction defines the execution time of pair; the second instruction effectively executes in zero cycles.
- The OEP is loaded with the opword and all required extension words at the beginning of each instruction execution. This implies that the OEP spends no time waiting for the IFP to supply opwords or extension words.
- The OEP experiences no sequence-related pipeline stalls. For the V4, the most common example of this type of stall occurs when a register is modified in the EX engine and a subsequent instruction generates an address that uses the previously modified register. The second instruction stalls in the OEP until the previous instruction updates the register. For example:

```

muls.l    #<data>,d0
move.l    (a0,d0.l*4),d1
    
```

move.l waits 3 cycles for the muls.l to update d0. If consecutive instructions update a register and use that register as a base of index value with a scale factor of 1 ($Xi.l*1$) in an address calculation, a 2-cycle pipeline stall occurs. If the destination register is used as an index register with any other scale factor ($Xi.l*2$, $Xi.l*4$), a 3-cycle stall occurs.

NOTE

Address register results from postincrement and predecrement modes are available to subsequent instructions without stalls.

- The OEP can complete all memory accesses without memory causing any stalls. Thus, these timings assume an infinite, zero-wait state memory attached to the core.
- Operand accesses are assumed to be aligned as follows:
 - 16-bit operands are aligned on 0-modulo-2 addresses
 - 32-bit operands are aligned on 0-modulo-4 addresses

Operands that do not meet these guidelines are misaligned. [Table 3-10](#) shows how the core decomposes a misaligned operand reference into a series of aligned accesses.

Table 3-10. Misaligned Operand References

A[1:0]	Size	Bus Operations	Additional C(R/W) ¹
x1	Word	Byte, Byte	2(1/0) if read 1(0/1) if write
x1	Long	Byte, Word, Byte	3(2/0) if read 2(0/2) if write
10	Long	Word, Word	2(1/0) if read 1(0/1) if write

¹ Each timing entry is presented as C(r/w), described as follows:

C is the number of processor clock cycles, including all applicable operand fetches and writes, as well as all internal core cycles required to complete the instruction execution.

r/w is the number of operand reads (r) and writes (w) required by the instruction. An operation performing a read-modify write function is denoted as (1/1).

3.7.1 MOVE Instruction Execution Timing

The following tables show execution times for the MOVE.{B,W,L} instructions. [Table 3-13](#) shows the timing for the other generic move operations.

NOTE

In these tables, times using PC-relative effective addressing modes are the same as using An-relative mode.

ET with {<ea> = (d16,PC)} equals ET with {<ea> = (d16,An)}

ET with {<ea> = (d8,PC,Xi*SF)} equals ET with {<ea> = (d8,An,Xi*SF)}

The (xxx).wl nomenclature refers to both forms of absolute addressing, (xxx).w and (xxx).l.

Table 3-11 lists execution times for MOVE.{B,W} instructions.

Table 3-11. Move Byte and Word Execution Times

Source	Destination						
	Rx	(Ax)	(Ax)+	-(Ax)	(d16,Ax)	(d8,Ax,Xi*SF)	(xxx).wl
Dy	1(0/0)	1(0/1)	1(0/1)	1(0/1)	1(0/1)	2(0/1)	1(0/1)
Ay	1(0/0)	1(0/1)	1(0/1)	1(0/1)	1(0/1)	2(0/1)	1(0/1)
(Ay)	1(1/0)	2(1/1)	2(1/1)	2(1/1)	2(1/1)	3(1/1)	2(1/1)
(Ay)+	1(1/0)	2(1/1)	2(1/1)	2(1/1)	2(1/1)	3(1/1)	2(1/1)
-(Ay)	1(1/0)	2(1/1)	2(1/1)	2(1/1)	2(1/1)	3(1/1)	2(1/1)
(d16,Ay)	1(1/0)	2(1/1)	2(1/1)	2(1/1)	2(1/1)	—	—
(d8,Ay,Xi*SF)	2(1/0)	3(1/1)	3(1/1)	3(1/1)	—	—	—
(xxx).w	1(1/0)	2(1/1)	2(1/1)	2(1/1)	—	—	—
(xxx).l	1(1/0)	2(1/1)	2(1/1)	2(1/1)	—	—	—
(d16,PC)	1(1/0)	2(1/1)	2(1/1)	2(1/1)	2(1/1)	—	—
(d8,PC,Xi*SF)	2(1/0)	3(1/1)	3(1/1)	3(1/1)	—	—	—
#<xxx>	1(0/0)	1(0/1)	1(0/1)	1(0/1)	1(0/1)	—	—

Table 3-12 lists timings for MOVE.L.

Table 3-12. Move Long Execution Times

Source	Destination						
	Rx	(Ax)	(Ax)+	-(Ax)	(d16,Ax)	(d8,Ax,Xi*SF)	(xxx).wl
Dy	1(0/0)	1(0/1)	1(0/1)	1(0/1)	1(0/1)	2(0/1)	1(0/1)
Ay	1(0/0)	1(0/1)	1(0/1)	1(0/1)	1(0/1)	2(0/1)	1(0/1)
(Ay)	1(1/0)	2(1/1)	2(1/1)	2(1/1)	2(1/1)	3(1/1)	2(1/1)
(Ay)+	1(1/0)	2(1/1)	2(1/1)	2(1/1)	2(1/1)	3(1/1)	2(1/1)
-(Ay)	1(1/0)	2(1/1)	2(1/1)	2(1/1)	2(1/1)	3(1/1)	2(1/1)
(d16,Ay)	1(1/0)	2(1/1)	2(1/1)	2(1/1)	2(1/1)	—	—
(d8,Ay,Xi*SF)	2(1/0)	3(1/1)	3(1/1)	3(1/1)	—	—	—
(xxx).w	1(1/0)	2(1/1)	2(1/1)	2(1/1)	—	—	—
(xxx).l	1(1/0)	2(1/1)	2(1/1)	2(1/1)	—	—	—
(d16,PC)	1(1/0)	2(1/1)	2(1/1)	2(1/1)	2(1/1)	—	—
(d8,PC,Xi*SF)	2(1/0)	3(1/1)	3(1/1)	3(1/1)	—	—	—
#<xxx>	1(0/0)	1(0/1)	1(0/1)	1(0/1)	—	—	—

Table 3-13 gives timings for MOVE.L instructions accessing program-visible EMAC registers, along with other MOVE.L timings. Execution times for moving ACC or MACSR contents into a destination location represent the best-case scenario when the store instruction is executed and no load, MAC, or MSAC instructions are in the EMAC execution pipeline. In general, these store operations take only 1 cycle to

execute, but if preceded immediately by a load, MAC, or MSAC instruction, the EMAC pipeline depth is exposed and execution time is 3 cycles.

Table 3-19 lists EMAC execution times.

Table 3-13. MAC and Miscellaneous Move Execution Times

Opcode	<ea>	Effective Address							
		Rn	(An)	(An)+	-(An)	(d16,An)	(d8,An,Xi*SF)	(xxx).wl	#<xxx>
move.l	<ea>,ACC	1(0/0)	—	—	—	—	—	—	1(0/0)
move.l	<ea>,MACSR	6(0/0)	—	—	—	—	—	—	6(0/0)
move.l	<ea>,MASK	5(0/0)	—	—	—	—	—	—	5(0/0)
move.l	ACC,Rx	1(0/0)	—	—	—	—	—	—	—
move.l	MACSR,CCR	1(0/0)	—	—	—	—	—	—	—
move.l	MACSR,Rx	1(0/0)	—	—	—	—	—	—	—
move.l	MASK,Rx	1(0/0)	—	—	—	—	—	—	—
moveq	#imm,Dx	—	—	—	—	—	—	—	1(0/0)
mov3q	#imm,<ea>	1(0/0)	1(1/0)	1(1/0)	1(1/0)	1(1/0)	2(1/0)	1(1/0)	—
mvs	<ea>,Dx	1(0/0)	1(1/0)	1(1/0)	1(1/0)	1(1/0)	2(1/0)	1(1/0)	1(0/0)
mvz	<ea>,Dx	1(0/0)	1(1/0)	1(1/0)	1(1/0)	1(1/0)	2(1/0)	1(1/0)	1(0/0)

3.7.2 One-Operand Instruction Execution Timing

Table 3-14 shows standard timings for single-operand instructions.

Table 3-14. One-Operand Instruction Execution Times

Opcode	<ea>	Effective Address							
		Rn	(An)	(An)+	-(An)	(d16,An)	(d8,An,Xi*SF)	(xxx).wl	#xxx
clr.b	<ea>	1(0/0)	1(0/1)	1(0/1)	1(0/1)	1(0/1)	2(0/1)	1(0/1)	—
clr.w	<ea>	1(0/0)	1(0/1)	1(0/1)	1(0/1)	1(0/1)	2(0/1)	1(0/1)	—
clr.l	<ea>	1(0/0)	1(0/1)	1(0/1)	1(0/1)	1(0/1)	2(0/1)	1(0/1)	—
ext.w	Dx	1(0/0)	—	—	—	—	—	—	—
ext.l	Dx	1(0/0)	—	—	—	—	—	—	—
extb.l	Dx	1(0/0)	—	—	—	—	—	—	—
neg.l	Dx	1(0/0)	—	—	—	—	—	—	—
negx.l	Dx	1(0/0)	—	—	—	—	—	—	—
not.l	Dx	1(0/0)	—	—	—	—	—	—	—
sats.l	Dx	1(0/0)	—	—	—	—	—	—	—
scc	Dx	1(0/0)	—	—	—	—	—	—	—
swap	Dx	1(0/0)	—	—	—	—	—	—	—
tas	<ea>	1(1/1)	1(1/1)	1(1/1)	1(1/1)	1(1/1)	2(1/1)	1(1/1)	—

Table 3-14. One-Operand Instruction Execution Times (Continued)

Opcode	<ea>	Effective Address							
		Rn	(An)	(An)+	-(An)	(d16,An)	(d8,An,Xi*SF)	(xxx).wl	#xxx
tst.b	<ea>	1(0/0)	1(1/0)	1(1/0)	1(1/0)	1(1/0)	2(1/0)	1(1/0)	1(0/0)
tst.w	<ea>	1(0/0)	1(1/0)	1(1/0)	1(1/0)	1(1/0)	2(1/0)	1(1/0)	1(0/0)
tst.l	<ea>	1(0/0)	1(1/0)	1(1/0)	1(1/0)	1(1/0)	2(1/0)	1(1/0)	1(0/0)

3.7.3 Two-Operand Instruction Execution Timing

Table 3-15 shows standard timings for double operand instructions.

Table 3-15. Two-Operand Instruction Execution Times

Opcode	<ea>	Effective Address							
		Rn	(An)	(An)+	-(An)	(d16,An)	(d8,An,Xi*SF)	(xxx).wl	#<xxx>
add.l	<ea>,Rx	1(0/0)	1(1/0)	1(1/0)	1(1/0)	1(1/0)	2(1/0)	1(1/0)	1(0/0)
add.l	Dy,<ea>	—	1(1/1)	1(1/1)	1(1/1)	1(1/1)	2(1/1)	1(1/1)	—
addi.l	#imm,Dx	1(0/0)	—	—	—	—	—	—	—
addq.l	#imm,<ea>	1(0/0)	1(1/1)	1(1/1)	1(1/1)	1(1/1)	2(1/1)	1(1/1)	—
addx.l	Dy,Dx	1(0/0)	—	—	—	—	—	—	—
and.l	<ea>,Rx	1(0/0)	1(1/0)	1(1/0)	1(1/0)	1(1/0)	2(1/0)	1(1/0)	1(0/0)
and.l	Dy,<ea>	—	1(1/1)	1(1/1)	1(1/1)	1(1/1)	2(1/1)	1(1/1)	—
andi.l	#imm,Dx	1(0/0)	—	—	—	—	—	—	—
asl.l	<ea>,Dx	1(0/0)	—	—	—	—	—	—	1(0/0)
asr.l	<ea>,Dx	1(0/0)	—	—	—	—	—	—	1(0/0)
bchg	Dy,<ea>	2(0/0)	2(1/1)	2(1/1)	2(1/1)	2(1/1)	3(1/1)	2(1/1)	—
bchg	#imm,<ea>	2(0/0)	2(1/1)	2(1/1)	2(1/1)	2(1/1)	—	—	—
bclr	Dy,<ea>	2(0/0)	2(1/1)	2(1/1)	2(1/1)	2(1/1)	3(1/1)	2(1/1)	—
bclr	#imm,<ea>	2(0/0)	2(1/1)	2(1/1)	2(1/1)	2(1/1)	—	—	—
bset	Dy,<ea>	2(0/0)	2(1/1)	2(1/1)	2(1/1)	2(1/1)	3(1/1)	2(1/1)	—
bset	#imm,<ea>	2(0/0)	2(1/1)	2(1/1)	2(1/1)	2(1/1)	—	—	—
btst	Dy,<ea>	1(0/0)	1(1/0)	1(1/0)	1(1/0)	1(1/0)	2(1/0)	1(1/0)	—
btst	#imm,<ea>	1(0/0)	1(1/0)	1(1/0)	1(1/0)	1(1/0)	—	—	—
cmp.b	<ea>,Rx	1(0/0)	1(1/0)	1(1/0)	1(1/0)	1(1/0)	2(1/0)	1(1/0)	1(0/0)
cmp.w	<ea>,Rx	1(0/0)	1(1/0)	1(1/0)	1(1/0)	1(1/0)	2(1/0)	1(1/0)	1(0/0)
cmp.l	<ea>,Rx	1(0/0)	1(1/0)	1(1/0)	1(1/0)	1(1/0)	2(1/0)	1(1/0)	1(0/0)
cmpi.b	#imm,Dx	1(0/0)	—	—	—	—	—	—	—
cmpi.w	#imm,Dx	1(0/0)	—	—	—	—	—	—	—
cmpi.l	#imm,Dx	1(0/0)	—	—	—	—	—	—	—
divs.w	<ea>,Dx	20(0/0)	20(1/0)	20(1/0)	20(1/0)	20(1/0)	21(1/0)	20(1/0)	20(0/0)

Table 3-15. Two-Operand Instruction Execution Times (Continued)

Opcode	<ea>	Effective Address							
		Rn	(An)	(An)+	-(An)	(d16,An)	(d8,An,Xi*SF)	(xxx).wl	#<xxx>
divu.w	<ea>,Dx	20(0/0)	20(1/0)	20(1/0)	20(1/0)	20(1/0)	21(1/0)	20(1/0)	20(0/0)
divs.l	<ea>,Dx	35(0/0)	35(1/0)	35(1/0)	35(1/0)	35(1/0)	—	—	—
divu.l	<ea>,Dx	35(0/0)	35(1/0)	35(1/0)	35(1/0)	35(1/0)	—	—	—
eor.l	Dy,<ea>	1(0/0)	1(1/1)	1(1/1)	1(1/1)	1(1/1)	2(1/1)	1(1/1)	—
eori.l	#imm,Dx	1(0/0)	—	—	—	—	—	—	—
lea	<ea>,Ax	—	1(0/0)	—	—	1(0/0)	2(0/0)	1(0/0)	—
lsl.l	<ea>,Dx	1(0/0)	—	—	—	—	—	—	1(0/0)
lsl.l	<ea>,Dx	1(0/0)	—	—	—	—	—	—	1(0/0)
mac.w	Ry,Rx	1(0/0)	—	—	—	—	—	—	—
mac.l	Ry,Rx	3(0/0)	—	—	—	—	—	—	—
msac.w	Ry,Rx	1(0/0)	—	—	—	—	—	—	—
msac.l	Ry,Rx	3(0/0)	—	—	—	—	—	—	—
mac.w	Ry,Rx,ea,Rw	—	1(1/0)	1(1/0)	1(1/0)	1(1/0)	—	—	—
mac.l	Ry,Rx,ea,Rw	—	3(1/0)	3(1/0)	3(1/0)	3(1/0)	—	—	—
msac.w	Ry,Rx,ea,Rw	—	1(1/0)	1(1/0)	1(1/0)	1(1/0)	—	—	—
msac.l	Ry,Rx,ea,Rw	—	3(1/0)	3(1/0)	3(1/0)	3(1/0)	—	—	—
muls.w	<ea>,Dx	3(0/0)	3(1/0)	3(1/0)	3(1/0)	3(1/0)	4(1/0)	3(1/0)	3(0/0)
mulu.w	<ea>,Dx	3(0/0)	3(1/0)	3(1/0)	3(1/0)	3(1/0)	4(1/0)	3(1/0)	3(0/0)
muls.l	<ea>,Dx	5(0/0)	5(1/0)	5(1/0)	5(1/0)	5(1/0)	—	—	—
mulu.l	<ea>,Dx	5(0/0)	5(1/0)	5(1/0)	5(1/0)	5(1/0)	—	—	—
or.l	<ea>,Rx	1(0/0)	1(1/0)	1(1/0)	1(1/0)	1(1/0)	2(1/0)	1(1/0)	1(0/0)
or.l	Dy,<ea>	—	1(1/1)	1(1/1)	1(1/1)	1(1/1)	2(1/1)	1(1/1)	—
or.l	#imm,Dx	1(0/0)	—	—	—	—	—	—	—
rems.l	<ea>,Dx	35(0/0)	35(1/0)	35(1/0)	35(1/0)	35(1/0)	—	—	—
remu.l	<ea>,Dx	35(0/0)	35(1/0)	35(1/0)	35(1/0)	35(1/0)	—	—	—
sub.l	<ea>,Rx	1(0/0)	1(1/0)	1(1/0)	1(1/0)	1(1/0)	2(1/0)	1(1/0)	1(0/0)
sub.l	Dy,<ea>	—	1(1/1)	1(1/1)	1(1/1)	1(1/1)	2(1/1)	1(1/1)	—
subi.l	#imm,Dx	1(0/0)	—	—	—	—	—	—	—
subq.l	#imm,<ea>	1(0/0)	1(1/1)	1(1/1)	1(1/1)	1(1/1)	2(1/1)	1(1/1)	—
subx.l	Dy,Dx	1(0/0)	—	—	—	—	—	—	—

3.7.4 Miscellaneous Instruction Execution Timing

Table 3-16 lists timings for miscellaneous instructions.

Table 3-16. Miscellaneous Instruction Execution Times

Opcode	<ea>	Effective Address							
		Rn	(An)	(An)+	-(An)	(d16,An)	(d8,An,Xi*SF)	(xxx).wl	#<xxx>
cpushl	(Ax)	—	9(0/1)	—	—	—	—	—	—
intouch	(Ay)	—	19(1/0)	—	—	—	—	—	—
link.w	Ay,#imm	2(0/1)	—	—	—	—	—	—	—
move.w	CCR,Dx	1(0/0)	—	—	—	—	—	—	—
move.w	<ea>,CCR	1(0/0)	—	—	—	—	—	—	1(0/0)
move.w	SR,Dx	1(0/0)	—	—	—	—	—	—	—
move.w	<ea>,SR	4(0/0)	—	—	—	—	—	—	4(0/0)
movec	Ry,Rc	20(0/1)	—	—	—	—	—	—	—
movem.l ¹	<ea>,&list	—	n(n/0)	—	—	n(n/0)	—	—	—
movem.l	&list,<ea>	—	n(0/n)	—	—	n(0/n)	—	—	—
nop		6(0/0)	—	—	—	—	—	—	—
pea	<ea>	—	1(0/1)	—	—	1(0/1) ²	2(0/1) ³	1(0/1)	—
pulse		1(0/0)	—	—	—	—	—	—	—
stop	#imm	—	—	—	—	—	—	—	6(0/0) ⁴
trap	#imm	—	—	—	—	—	—	—	18(1/2)
tpf		1(0/0)	—	—	—	—	—	—	—
tpf.w		1(0/0)	—	—	—	—	—	—	—
tpf.l		1(0/0)	—	—	—	—	—	—	—
unlk	Ax	1(1/0)	—	—	—	—	—	—	—
wddata.l	<ea>	—	1(1/0)	1(1/0)	1(1/0)	1(1/0)	2(1/0)	1(1/0)	—
wdebug.l	<ea>	—	3(2/0)	—	—	3(2/0)	—	—	—

¹ n is the number of registers moved by the MOVEM opcode.

² PEA execution times are the same for (d16,PC).

³ PEA execution times are the same for (d8,PC,Xi*SF).

⁴ The execution time for STOP is the time required until the processor begins sampling continuously for interrupts.

3.7.5 Branch Instruction Execution Timing

Table 3-17 shows general branch instruction timing.

Table 3-17. General Branch Instruction Execution Times

Opcode	<ea>	Effective Address							
		Rn	(An)	(An)+	-(An)	(d16,An)	(d8,An,Xi*SF)	(xxx).wl	#<xxx>
bra		—	—	—	—	1(0/1) ¹	—	—	—
bsr		—	—	—	—	1(0/1) ¹	—	—	—
jmp	<ea>	—	5(0/0)	—	—	5(0/0) ¹	6(0/0)	1(0/0) ¹	—
jsr	<ea>	—	5(0/1)	—	—	5(0/1)	6(0/1)	1(0/1) ¹	—
rte		—	—	15(2/0)	—	—	—	—	—
rts		—	—	2(1/0) ² 9(1/0) ³ 8(1/0) ⁴	—	—	—	—	—

¹ Assumes branch acceleration. Depending on the pipeline status, execution times may vary from 1 to 3 cycles.

² If predicted correctly by the hardware return stack.

³ If mispredicted by the hardware return stack.

⁴ If not predicted by the hardware return stack.

Table 3-18 shows timing for Bcc instructions.

Table 3-18. Bcc Instruction Execution Times

Opcode	Branch Cache Correctly Predicts Taken	Prediction Table Correctly Predicts Taken	Predicted Correctly as Not Taken	Predicted Incorrectly
bcc	0(0/0)	1(0/0)	1(0/0)	8(0/0)

3.7.6 EMAC Instruction Execution Times

Table 3-19 specifies instruction execution times associated with the enhanced multiply-accumulate (EMAC) execute engine.

Table 3-19. EMAC Instruction Execution Times

Opcode	<ea>y	Effective Address							
		Rn	(An)	(An)+	-(An)	(d16,An) (d16,PC)	(d8,An,Xi*SF) (d8,PC,Xi*SF)	xxx.wl	#xxx
mac.l	Ry,Rx,ACCx	1(0/0)	—	—	—	—	—	—	—
mac.l	Ry,Rx,<ea>,Rw,ACCx	—	1(1/0)	1(1/0)	1(1/0)	1(1/0) ¹	—	—	—
mac.w	Ry,Rx,ACCx	1(0/0)	—	—	—	—	—	—	—
mac.w	Ry,Rx,<ea>,Rw,ACCx	—	1(1/0)	1(1/0)	1(1/0)	1(1/0) ¹	—	—	—
mov.l	<ea>y,ACCx	1(0/0)	—	—	—	—	—	—	1(0/0)
mov.l	ACCy,ACCx	1(0/0)	—	—	—	—	—	—	—

Table 3-19. EMAC Instruction Execution Times

Opcode	<ea>y	Effective Address							
		Rn	(An)	(An)+	-(An)	(d16,An) (d16,PC)	(d8,An,Xi*SF) (d8,PC,Xi*SF)	xxx.wl	#xxx
mov.l	<ea>y,MACSR	8(0/0)	—	—	—	—	—	—	8(0/0)
mov.l	<ea>y,MASK	7(0/0)	—	—	—	—	—	—	7(0/0)
mov.l	<ea>y,ACCext01	1(0/0)	—	—	—	—	—	—	1(0/0)
mov.l	<ea>y,ACCext23	1(0/0)	—	—	—	—	—	—	1(0/0)
mov.l	ACCx,<ea>x	1(0/0) ²	—	—	—	—	—	—	—
mov.l	MACSR,<ea>x	1(0/0)	—	—	—	—	—	—	—
mov.l	MASK,<ea>x	1(0/0)	—	—	—	—	—	—	—
mov.l	ACCext01,<ea>x	1(0/0)	—	—	—	—	—	—	—
mov.l	ACCext23,<ea>x	1(0/0)	—	—	—	—	—	—	—
msac.l	Ry,Rx,ACCx	1(0/0)	—	—	—	—	—	—	—
msac.l	Ry,Rx,<ea>,Rw,ACCx	—	1(1/0)	1(1/0)	1(1/0)	1(1/0) ¹	—	—	—
msac.w	Ry,Rx,ACCx	1(0/0)	—	—	—	—	—	—	—
msac.w	Ry,Rx,<ea>,Rw,ACCx	—	1(1/0)	1(1/0)	1(1/0)	1(1/0) ¹	—	—	—
muls.l	<ea>y,Dx	4(0/0)	4(1/0)	4(1/0)	4(1/0)	4(1/0)	—	—	—
muls.w	<ea>y,Dx	4(0/0)	4(1/0)	4(1/0)	4(1/0)	4(1/0)	5(1/0)	4(1/0)	4(0/0)
mulu.l	<ea>y,Dx	4(0/0)	4(1/0)	4(1/0)	4(1/0)	4(1/0)	—	—	—
mulu.w	<ea>y,Dx	4(0/0)	4(1/0)	4(1/0)	4(1/0)	4(1/0)	5(1/0)	4(1/0)	4(0/0)

¹ Effective address of (d16,PC) not supported.

² Storing the accumulator requires 1 additional clock cycle when saturation is enabled, or fractional rounding is performed (MACSR[7:4] = 1---, -11-, --11).

Execution times for moving the contents of the ACC, ACCext[01,23], MACSR, or MASK into a destination location <ea>x in this table represent the best-case scenario when the store is executed and no load, copy, MAC, or MSAC instructions are in the EMAC execution pipeline. In general, these store operations require only a single cycle for execution, but if preceded immediately by a load, copy, MAC, or MSAC instruction, the depth of the EMAC pipeline is exposed and the execution time is 4 cycles.

3.7.7 FPU Instruction Execution Times

Table 3-20 specifies the instruction execution times associated with the FPU execute engine.

Table 3-20. FPU Instruction Execution Times^{1, 2}

Opcode	Format	Effective Address <ea>						
		FPn	Dn	(An)	(An)+	-(An)	(d ₁₆ ,An)	(d ₁₆ ,PC)
fabs	<ea>y,FPx	1(0/0)	1(0/0)	1(1/0)	1(1/0)	1(1/0)	1(1/0)	1(1/0)
fadd	<ea>y,FPx	4(0/0)	4(0/0)	4(1/0)	4(1/0)	4(1/0)	4(1/0)	4(1/0)
fbcc	<label>	—	—	—	—	—	—	2(0/0) if correct, 9(0/0) if incorrect
fcmp	<ea>y,FPx	4(0/0)	4(0/0)	4(1/0)	4(1/0)	4(1/0)	4(1/0)	4(1/0)
fdiv	<ea>y,FPx	23(0/0)	23(0/0)	23(1/0)	23(1/0)	23(1/0)	23(1/0)	23(1/0)
fint	<ea>y,FPx	4(0/0)	4(0/0)	4(1/0)	4(1/0)	4(1/0)	4(1/0)	4(1/0)
fintrz	<ea>y,FPx	4(0/0)	4(0/0)	4(1/0)	4(1/0)	4(1/0)	4(1/0)	4(1/0)
fmove	<ea>y,FPx	1(0/0)	1(0/0)	1(1/0)	1(1/0)	1(1/0)	1(1/0)	1(1/0)
fmove	FPy,<ea>x	—	2(0/1)	2(0/1)	2(0/1)	2(0/1)	2(0/1)	—
fmove	<ea>y,FP*R	—	6(0/0)	6(1/0)	6(1/0)	6(1/0)	6(1/0)	6(1/0)
fmove	FP*R,<ea>x	—	1(0/0)	1(0/1)	1(0/1)	1(0/1)	1(0/1)	—
fmovem ³	<ea>y,#list	—	—	2n(2n/0)	—	—	2n(2n/0)	2n(2n/0)
fmovem ^{3, 4}	#list,<ea>x	—	—	1+2n(0/2n)	—	—	1+2n(0/2n)	—
fmul	<ea>y,FPx	4(0/0)	4(0/0)	4(1/0)	4(1/0)	4(1/0)	4(1/0)	4(1/0)
fneg	<ea>y,FPx	1(0/0)	1(0/0)	1(1/0)	1(1/0)	1(1/0)	1(1/0)	1(1/0)
fnop		—	—	—	—	—	—	2(0/0)
frestore	<ea>y	—	—	6(4/0)	—	—	6(4/0)	6(4/0)
fsave	<ea>x	—	—	7(0/3)	—	—	7(0/3)	—
fsqrt	<ea>y,FPx	56(0/0)	56(0/0)	56(1/0)	56(1/0)	56(1/0)	56(1/0)	56(1/0)
fsub	<ea>y,FPx	4(0/0)	4(0/0)	4(1/0)	4(1/0)	4(1/0)	4(1/0)	4(1/0)
ftst	<ea>y,FPx	1(0/0)	1(0/0)	1(1/0)	1(1/0)	1(1/0)	1(1/0)	1(1/0)

¹ Add 1(1/0) for an external read operand of double-precision format for all instructions except FMOVEM, and 1(0/1) for FMOVE FPy,<ea>x when the destination is double-precision.

² If the external operand is an integer format (byte, word, or longword), there is a 4-cycle conversion time that must be added to the basic execution time.

³ For FMOVEM, *n* refers to the number of registers being moved.

⁴ If any exceptions are enabled, the execution time for FMOVE FPy,<ea>x increases by 1 cycle. If the BSUN exception is enabled, the execution time for FBcc increases by one cycle.

3.8 Exception Processing Overview

Exception processing for ColdFire processors is streamlined for performance. Differences from previous ColdFire Family processors include the following:

- An instruction restart model for translation (TLB miss) and access faults. This new functionality extends the existing ColdFire access error fault vector and exception stack frames.
- Use of separate system stack pointers for user and supervisor modes.

Previous ColdFire processors use an instruction restart exception model but require additional software support to recover from certain access errors.

Exception processing can be defined as the time from the detection of the fault condition until the fetch of the first handler instruction has been initiated. It consists of the following four major steps:

1. The processor makes an internal copy of the status register (SR) and then enters supervisor mode by setting SR[S] and disabling trace mode by clearing SR[T]. The occurrence of an interrupt exception also clears SR[M] and sets the interrupt priority mask, SR[I] to the level of the current interrupt request.
2. The processor determines the exception vector number. For all faults except interrupts, the processor bases this calculation on exception type. For interrupts, the processor performs an interrupt acknowledge (IACK) bus cycle to obtain the vector number from peripheral. The IACK cycle is mapped to a special acknowledge address space with the interrupt level encoded in the address.

The processor saves the current context by creating an exception stack frame on the system stack. As a result, the exception stack frame is created at a 0-modulo-4 address on top of the system stack pointed to by the supervisor stack pointer (SSP). As shown in [Figure 3-15](#), the CF4e processor uses the same fixed-length stack frame as previous ColdFire Versions with additional fault status (FS) encodings to support the MMU. In some exception types, the program counter (PC) in the exception stack frame contains the address of the faulting instruction (fault); in others the PC contains the next instruction to be executed (next). (Note that previous ColdFire processors support a single stack pointer in the A7 address register.)

If the exception is caused by an FPU instruction, the PC contains the address of either the next floating-point instruction (nextFP) if the exception is pre-instruction, or the faulting instruction (fault) if the exception is post-instruction.

3. The processor acquires the address of the first instruction of the exception handler. The instruction address is obtained by fetching a value from the exception table at the address in the vector base register. The index into the table is calculated as $4 \times \text{vector_number}$. When the index value is generated, the vector table contents determine the address of the first instruction of the desired handler. After the fetch of the first opcode of the handler is initiated, exception processing terminates and normal instruction processing continues in the handler.

The vector base register described in the *ColdFire Programmers Reference Manual*, holds the base address of the exception vector table in memory. The displacement of an exception vector is added to the value in this register to access the vector table. VBR[19–0] are not implemented and are assumed to be zero, forcing the vector table to be aligned on a 0-modulo-1-Mbyte boundary.

ColdFire processors support a 1,024-byte vector table aligned on any 0-modulo-1 Mbyte address boundary; see [Table 3-21](#). The table contains 256 exception vectors, the first 64 of which are defined by Freescale. The rest are user-defined interrupt vectors.

Table 3-21. Exception Vector Assignments

Vector Numbers	Vector Offset (Hex)	Stacked Program Counter ¹	Assignment
0	000	—	Initial supervisor stack pointer
1	004	—	Initial program counter
2	008	Fault	Access error
3	00C	Fault	Address error
4	010	Fault	Illegal instruction
5	014	Fault	Divide by zero
6–7	018–01C	—	Reserved
8	020	Fault	Privilege violation
9	024	Next	Trace
10	028	Fault	Unimplemented line-a opcode
11	02C	Fault	Unimplemented line-f opcode
12	030	Next	Non-PC breakpoint debug interrupt
13	034	Next	PC breakpoint debug interrupt
14	038	Fault	Format error
15	03C	Next	Uninitialized interrupt
16–23	040–05C	—	Reserved
24	060	Next	Spurious interrupt
25–31	064–07C	Next	Level 1–7 autovectored interrupts
32–47	080–0BC	Next	Trap #0–15 instructions
48	0C0	Fault	Floating-point branch on unordered condition
49	0C4	NextFP or Fault	Floating-point inexact result
50	0C8	NextFP	Floating-point divide-by-zero
51	0CC	NextFP or Fault	Floating-point underflow
52	0D0	NextFP or Fault	Floating-point operand error
53	0D4	NextFP or Fault	Floating-point overflow
54	0D8	NextFP or Fault	Floating-point input not-a-number (NaN)
55	0DC	NextFP or Fault	Floating-point input denormalized number
56–60	0E0–0F0	—	Reserved
61	0F4	Fault	Unsupported instruction

Table 3-21. Exception Vector Assignments (Continued)

Vector Numbers	Vector Offset (Hex)	Stacked Program Counter ¹	Assignment
62–63	0F8–0FC	—	Reserved
64–255	100–3FC	Next	User-defined interrupts

¹ 'Fault' refers to the PC of the faulting instruction. 'Next' refers to the PC of the instruction immediately after the faulting instruction. 'NextFP' refers to the PC of the next floating-point instruction.

ColdFire processors inhibit sampling for interrupts during the first instruction of all exception handlers. This allows any handler to effectively disable interrupts, if necessary, by raising the interrupt mask level in the SR.

3.8.1 Exception Stack Frame Definition

The first longword of the exception stack frame, [Figure 3-15](#), holds the 16-bit format/vector word (F/V) and 16-bit status register. The second holds the 32-bit program counter address of the faulted instruction.

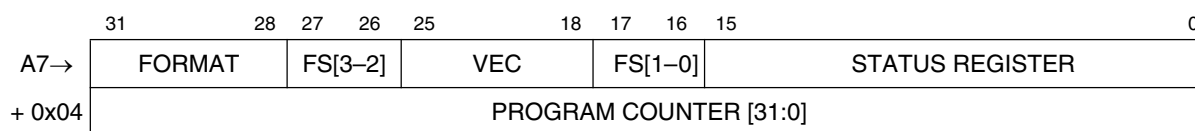


Figure 3-15. Exception Stack Frame

[Table 3-22](#) describes F/V fields. FS encodings added to support the CF4e MMU are noted.

Table 3-22. Format/Vector Word

Bits	Name	Description															
31–28	FORMAT	<p>Format field. Written with a value of {4,5,6,7} by the processor indicating a 2-longword frame format. FORMAT records any longword stack pointer misalignment when the exception occurred.</p> <table border="1"> <thead> <tr> <th>A7 at Exception Bits 1–0</th> <th>A7 at First Instruction of Handler</th> <th>Format</th> </tr> </thead> <tbody> <tr> <td>00</td> <td>Original A7–8</td> <td>0100</td> </tr> <tr> <td>01</td> <td>Original A7–9</td> <td>0101</td> </tr> <tr> <td>10</td> <td>Original A7–10</td> <td>0110</td> </tr> <tr> <td>11</td> <td>Original A7–11</td> <td>0111</td> </tr> </tbody> </table>	A7 at Exception Bits 1–0	A7 at First Instruction of Handler	Format	00	Original A7–8	0100	01	Original A7–9	0101	10	Original A7–10	0110	11	Original A7–11	0111
A7 at Exception Bits 1–0	A7 at First Instruction of Handler	Format															
00	Original A7–8	0100															
01	Original A7–9	0101															
10	Original A7–10	0110															
11	Original A7–11	0111															
27–26	FS[3:2]	<p>Fault status. Defined for access and address errors and for interrupted debug service routines.</p> <p>0000 Not an access or address error nor an interrupted debug service routine 0001 Reserved 0010 Interrupt during a debug service routine for faults other than access errors. ¹ [0011 Reserved 0100 Error (for example, protection fault) on instruction fetch 0101 TLB miss on opword of instruction fetch (New in CF4e) 0110 TLB miss on extension word of instruction fetch (New in CF4e) 0111 IFP access error while executing in emulator mode (New in CF4e) 1000 Error on data write 1001 Error on attempted write to write-protected space 1010 TLB miss on data write (New in CF4e) 1011 Reserved 1100 Error on data read 1101 Attempted read, read-modify-write of protected space (New in CF4e) 1110 TLB miss on data read, or read-modify-write (New in CF4e) 1111 OEP access error while executing in emulator mode (New in CF4e)</p>															
25–18	VEC	Vector number. Defines the exception type. It is calculated by the processor for internal faults and is supplied by the peripheral for interrupts. See Table 3-21 .															
17–16	FS[1:0]	See bits 27–26.															

¹ This generally refers to taking an I/O interrupt during a debug service routine but also applies to other fault types. If an access error occurs during a debug service routine, FS is set to 0111 if it is due to an instruction fetch or to 1111 for a data access. This applies only to access errors with the MMU present. If an access error occurs without an MMU, FS is set to 0010.

3.8.2 Processor Exceptions

Table 3-23 describes CF4e exceptions. Note that if a ColdFire processor encounters any fault while processing another fault, it immediately halts execution with a catastrophic fault-on-fault condition. A reset is required to force the processor to exit this halted state.

Table 3-23. Processor Exceptions

Type	Description
Access error	<p>If the MMU is disabled, access errors are reported only in conjunction with an attempted store to write-protected memory. Thus, access errors associated with instruction fetch or operand read accesses are not possible. The Version 4 processor, unlike the Version 2 and 3 processors, updates the condition code register if a write-protect error occurs during a CLR or MOV3Q operation to memory.</p> <p>accesses that fault (that is, terminated with a transfer error acknowledge) generate an access error exception. MMU TLB misses and access violations use the same fault. If the MMU is enabled, all TLB misses and protection violations generate an access error exception. To determine if a fault is due to a TLB miss or another type of access error, new FS encodings (described in Table 3-22) signal TLB misses on the following:</p> <ul style="list-style-type: none"> • Instruction fetch • Instruction extension fetch • Data read • Data write
Address error	<p>An address error is caused by an attempted execution transferring control to an odd instruction address (that is, if bit 0 of the target address is set), an attempted use of a word-sized index register (Xi.w) or by an attempted execution of an instruction with a full-format indexed addressing mode.</p> <p>If an address error occurs on a JSR instruction, the Version 4 processor first pushes the return address onto the stack and then calculates the target address.</p> <p>On Version 2 and 3 processors, the target address is calculated then the return address is pushed on stack. If an address error occurs on an RTS instruction, the Version 4 processor preserves the original return PC and writes the exception stack frame above this value. On Version 2 and 3 processors, the faulting return PC is overwritten by the address error stack frame.</p>
Illegal instruction	<p>The scope of illegal instruction detection is implementation-specific across the generations of ColdFire cores. For the CF4e core, the complete 16-bit opcode is decoded and this exception is generated if execution of an unsupported instruction is attempted. Additionally, attempting to execute an illegal line A or line F opcode generates unique exception types: vectors 10 and 11, respectively. ColdFire processors do not provide illegal instruction detection on extension words of any instruction, including MOVEC. Attempting to execute an instruction with an illegal extension word causes undefined results.</p>
Divide-by-zero	<p>Attempting to divide by zero causes an exception (vector 5, offset = 0x014).</p>
Privilege violation	<p>Caused by attempted execution of a supervisor mode instruction while in user mode. The <i>ColdFire Programmer's Reference Manual</i> lists supervisor- and user-mode instructions.</p>

Table 3-23. Processor Exceptions (Continued)

Type	Description
Trace exception	<p>Trace mode, which allows instruction-by-instruction tracing, is enabled by setting SR[T]. If SR[T] is set, instruction completion (for all but the STOP instruction) signals a trace exception. The STOP instruction has the following effects:</p> <ol style="list-style-type: none"> 1 The instruction before the STOP executes and then generates a trace exception. In the exception stack frame, the PC points to the STOP opcode. 2 When the trace handler is exited, the STOP instruction is executed, loading the SR with the immediate operand from the instruction. 3 The processor then generates a trace exception. The PC in the exception stack frame points to the instruction after STOP, and the SR reflects the value loaded in the previous step. <p>If the processor is not in trace mode and executes a STOP instruction where the immediate operand sets SR[T], hardware loads the SR and generates a trace exception. The PC in the exception stack frame points to the instruction after STOP, and the SR reflects the value loaded in step 2. Note that because ColdFire processors do not support hardware stacking of multiple exceptions, it is the responsibility of the operating system to check for trace mode after processing other exception types. For example, when a TRAP instruction executes in trace mode, the processor initiates the TRAP exception and passes control to the corresponding handler. If the system requires a trace exception, the TRAP exception handler must check for this condition (SR[15] in the exception stack frame set) and pass control to the trace handler before returning from the original exception.</p>
Unimplemented line-a opcode	<p>A line-a opcode results when bits 15–12 of the opword are 1010. This exception is generated by the attempted execution of an undefined line-a opcode.</p>
Unimplemented line-f opcode	<p>A line-f opcode results when bits 15–12 of the opword are 1111. This exception is generated under the following conditions:</p> <ul style="list-style-type: none"> • When attempting to execute an undefined line-f opcode. • When attempting to execute an FPU instruction when the FPU has been disabled in the CACR.
Debug interrupt	<p>The debug interrupt exception is caused by a hardware breakpoint register trigger. Rather than generating an IACK cycle, the processor internally calculates the vector number (12 or 13, depending on the type of breakpoint trigger). Additionally, SR[M,I] are unaffected by the interrupt. Separate exception vectors are provided for PC breakpoints and for address/data breakpoints. In the case of a two-level trigger, the last breakpoint determines the vector. The two unique entries occur when a PC breakpoint generates the 0x034 vector. In case of a two-level trigger, the last breakpoint event determines the vector. See Chapter 8, “Debug Support,” for more information.</p>
Format error	<p>When an RTE instruction executes, the processor first examines the 4-bit format field to validate the frame type. For a ColdFire processor, attempted execution of an RTE where the format is not equal to {4, 5, 6, 7} generates a format error. The exception stack frame for the format error is created without disturbing the original exception frame and the stacked PC points to RTE. The selection of the format value provides limited debug support for porting code from M68000 applications. On M68000 Family processors, the SR was at the top of the stack. Bit 30 of the longword addressed by the system stack pointer is typically zero. Attempting an RTE using this old format generates a format error on a ColdFire processor. If the format field defines a valid type, the processor does the following:</p> <ol style="list-style-type: none"> 1 Reloads the SR operand. 2 Fetches the second longword operand. 3 Adjusts the stack pointer by adding the format value to the auto-incremented address after the first longword fetch. 4 Transfers control to the instruction address defined by the second longword operand in the stack frame. <p>When the processor executes a FRESTORE instruction, if the restored FPU state frame contains a non-supported value, execution is aborted and a format error exception is generated.</p>

Table 3-23. Processor Exceptions (Continued)

Type	Description
Trap	Executing a TRAP instruction always forces an exception and is useful for implementing system calls. The trap instruction may be used to change from user to supervisor mode.
Interrupt exception	Interrupt exception processing, with interrupt recognition and vector fetching, includes uninitialized and spurious interrupts as well as those where the requesting device supplies the 8-bit interrupt vector. Autovectoring can optionally be configured through the system interface module (SIM).
Reset exception	Asserting the reset input signal (\overline{RSTI}) causes a reset exception, which has the highest exception priority and provides for system initialization and recovery from catastrophic failure. When assertion of \overline{RSTI} is recognized, current processing is aborted and cannot be recovered. The reset exception places the processor in supervisor mode by setting SR[S] and disables tracing by clearing SR[T]. It clears SR[M] and sets SR[I] to the highest level (0b111, priority level 7). Next, VBR is cleared. Configuration registers controlling operation of all processor-local memories are invalidated, disabling the memories. Note: Implementation-specific supervisor registers are also affected at reset. After \overline{RSTI} is negated, the processor waits 16 cycles before beginning the reset exception process. During this time, certain events are sampled, including the assertion of the debug breakpoint signal. If the processor is not halted, it initiates the reset exception by performing two longword read bus cycles. The longword at address 0 is loaded into the stack pointer and the longword at address 4 is loaded into the PC. After the initial instruction is fetched from memory, program execution begins at the address in the PC. If an access error or address error occurs before the first instruction executes, the processor enters a fault-on-fault halted state.
Unsupported instruction exception	If the CF4e attempts to execute a valid instruction but the required optional hardware module is not present in the OEP, a non-supported instruction exception is generated (vector 0x61). Control is then passed to an exception handler that can then process the opcode as required by the system.

3.9 Precise Faults

To support a demand-paged virtual memory environment, all memory references require precise, recoverable faults. The ColdFire instruction restart mechanism ensures that a faulted instruction restarts from the beginning of execution; that is, no internal state information is saved when an exception occurs and none is restored when the handler ends. Given the PC address defined in the exception stack frame, the processor reestablishes program execution by transferring control to the given location as part of the RTE (return from exception) instruction.

The instruction restart recovery model requires program-visible register changes made during execution to be undone if that instruction subsequently faults.

The Version 4 (and later) OEP structure naturally supports this concept for most instructions; program-visible registers are updated only in the final OEP stage when fault collection is complete. If any type of exception occurs, pending register updates are discarded.

For V4 cores and later, most single-cycle instructions already support precise faults and instruction restart. Some complex instructions do not. Consider the following memory-to-memory move:

```
mov.l    (Ay)+, (Ax)+    # copy 4 bytes from source to destination
```

On a Version 4 processor, this instruction takes one cycle to read the source operand (Ay) and one to write the data into Ax. Both the source and destination address pointers are updated as part of execution. [Table 3-24](#) lists the operations performed in execute stage (EX).

Table 3-24. OEP EX Cycle Operations

EX Cycle	Operations
1	Read source operand from memory @ (Ay), update Ay, new Ay = old Ay + 4
2	Write operand into destination memory @ (Ax), update Ax, new Ax = old Ax + 4, update CCR

A fault detected with the destination memory write is reported during the second cycle. At this point, operations performed in the first cycle are complete, so if the destination write takes any type of access error, Ay is updated. After the access error handler executes and the faulting instruction restarts, the processor's operation is incorrect because the source address register has an incorrect (post-incremented) value.

To recover the original state of the programming model for all instructions, the CF4e CPU adds the needed hardware to support full register recovery. This hardware allows program-visible registers to be restored to their original state for multi-cycle instructions so that the instruction restart mechanism is supported. Memory-to-memory moves and move multiple loads are representative of the complex instructions needing the special recovery support.

The other major pipeline change affects the IFP. The IFP and OEP are decoupled by a FIFO instruction buffer. In the V4 IFP, each buffer entry includes 48 bits of instruction data fetched from memory and 64 bits of early decode and branch prediction information. This datapath is expanded slightly to include IFP fault status information. Thus, every IFP access can be tagged in case an instruction fetch terminates with an error acknowledge.

NOTE

For access errors signaled on instruction prefetches, an access error exception is generated only if instruction execution is attempted. If an instruction fetch access error exception is generated and the FS field indicates the fault occurred on an extension word, it may be necessary for the exception PC to be rounded-up to the next page address to determine the faulting instruction fetch address.



THIS PAGE INTENTIONALLY LEFT BLANK

Chapter 4

Enhanced Multiply-Accumulate Unit (EMAC)

This chapter describes the functionality, microarchitecture, and performance of the enhanced multiply-accumulate (EMAC) unit in the ColdFire family of processors.

4.1 Introduction

The MAC design provides a set of DSP operations which can be used to improve the performance of embedded code while supporting the integer multiply instructions of the baseline ColdFire architecture.

The MAC provides functionality in three related areas:

- Signed and unsigned integer multiplies
- Multiply-accumulate operations supporting signed and unsigned integer operands, as well as signed, fixed-point, fractional operands
- Miscellaneous register operations

The ColdFire family supports two MAC implementations with different performance levels and capabilities. The original MAC uses a three-stage execution pipeline optimized for 16-bit operands and featuring a 16×16 multiply array with a single 32-bit accumulator. The EMAC features a four-stage pipeline optimized for 32-bit operands, with a fully pipelined 32×32 multiply array and four 48-bit accumulators.

The first ColdFire MAC supported signed and unsigned integer operands and was optimized for 16×16 operations, such as those found in a variety of applications, including servo control and image compression. As ColdFire-based systems proliferated, the desire for more precision on input operands increased. The result was an improved ColdFire MAC with user-programmable control to optionally enable use of fractional input operands.

EMAC improvements target three primary areas:

- Improved performance of 32×32 multiply operations.
- Addition of three more accumulators to minimize EMAC pipeline stalls caused by exchanges between the accumulator and the pipeline's general-purpose registers.
- A 48-bit accumulation data path to allow the use of a 40-bit product plus the addition of 8 extension bits to increase the dynamic number range when implementing signal processing algorithms.

The three areas of functionality are addressed in detail in following sections. The logic required to support this functionality is contained in a MAC module, as shown in [Figure 4-1](#).

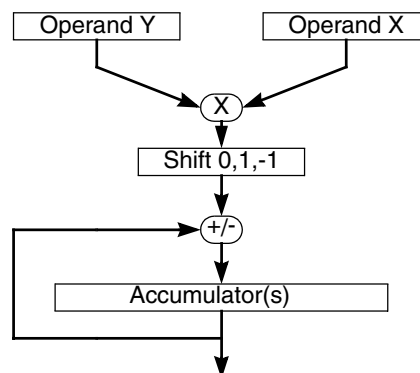


Figure 4-1. Multiply-Accumulate Functionality Diagram

4.1.1 MAC Overview

The MAC is an extension of the basic multiplier found in most microprocessors. It is typically implemented in hardware within an architecture and supports rapid execution of signal processing algorithms in fewer cycles than comparable non-MAC architectures. For example, small digital filters can tolerate some variance in an algorithm's execution time, but larger, more complicated algorithms such as orthogonal transforms may have more demanding speed requirements beyond the scope of any processor architecture, and may require full DSP implementation.

To strike a balance between speed, size, and functionality, the ColdFire MAC is optimized for a small set of operations that involve multiplication and cumulative additions. Specifically, the multiplier array is optimized for single-cycle pipelined operations with a possible accumulation after product generation. This functionality is common in many signal processing applications. The ColdFire core architecture also has been modified to allow an operand to be fetched in parallel with a multiply, increasing overall performance for certain DSP operations.

Consider a typical filtering operation where the filter is defined,¹¹ as in [Figure 4-2](#).

$$y(i) = \sum_{k=1}^{N-1} a(k)y(i-k) + \sum_{k=0}^{N-1} b(k)x(i-k)$$

Figure 4-2. Infinite Impulse Response (IIR) Filter

Here, the output $y(i)$ is determined by past output values and past input values. This is the general form of an infinite impulse response (IIR) filter. A finite impulse response (FIR) filter can be obtained by setting coefficients $a(k)$ to zero. In either case, the operations involved in computing such a filter are multiplies and product summing. To show this point, reduce the above equation to a simple, four-tap FIR filter, shown in [Figure 4-3](#), in which the accumulated sum is a sum of past data values and coefficients.

$$y(i) = \sum_{k=0}^3 b(k)x(i-k) = b(0)x(i) + b(1)x(i-1) + b(2)x(i-2) + b(3)x(i-3)$$

Figure 4-3. Four-Tap FIR Filter

4.1.2 General Operation

The MAC speeds execution of ColdFire integer multiply instructions (MULS and MULU) and provides additional functionality for multiply-accumulate operations. By executing MULS and MULU in the MAC, execution times are minimized and deterministic compared to the 2-bit/cycle algorithm with early termination that the OEP normally uses if no MAC hardware is present.

The added MAC instructions to the ColdFire ISA provide for the multiplication of two numbers, followed by the addition or subtraction of the product to or from the value in accumulator. Optionally, the product may be shifted left or right by 1 bit before addition or subtraction. Hardware support for saturation arithmetic can be enabled to minimize software overhead when dealing with potential overflow conditions. Multiply-accumulate operations support 16- or 32-bit input operands of the following formats:

- Signed integers
- Unsigned integers
- Signed, fixed-point, fractional numbers

The EMAC is optimized for single-cycle, pipelined 32×32 multiplications. For word- and longword-sized integer input operands, the low-order 40 bits of the product are formed and used with the destination accumulator. For fractional operands, the entire 64-bit product is calculated and either truncated or rounded to the most-significant 40-bit result using the round-to-nearest (even) method before it is combined with the destination accumulator.

For all operations, the resulting 40-bit product is extended to a 48-bit value (using sign-extension for signed integer and fractional operands, zero-fill for unsigned integer operands) before being combined with the 48-bit destination accumulator.

Figure 4-4 and Figure 4-5 show relative alignment of input operands, the full 64-bit product, the resulting 40-bit product used for accumulation, and 48-bit accumulator formats.

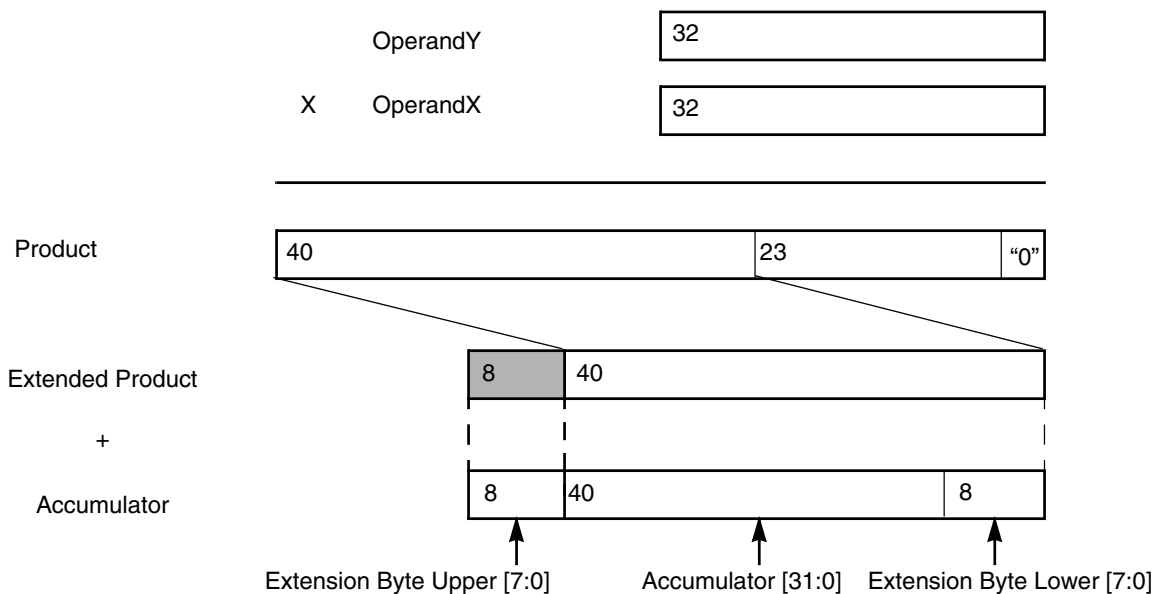


Figure 4-4. Fractional Alignment

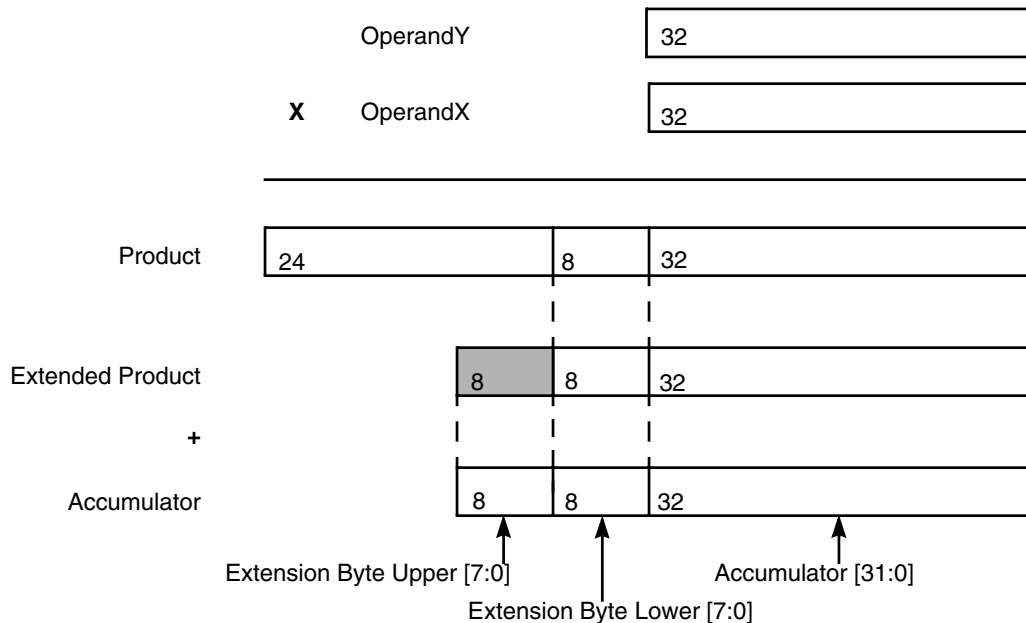


Figure 4-5. Signed and Unsigned Integer Alignment

Thus, the 48-bit accumulator definition is a function of the EMAC operating mode. Given that each 48-bit accumulator is the concatenation of 16-bit accumulator extension register (*ACCextn*) contents and 32-bit *ACCn* contents, the specific definitions are as follows:

```

if MACSR[6:5] == 00/* signed integer mode */
    Complete Accumulator[47:0] = {ACCextn[15:0], ACCn[31:0]}
if MACSR[6:5] == -1/* signed fractional mode */
    Complete Accumulator [47:0] = {ACCextn[15:8], ACCn[31:0], ACCextn[7:0]}
if MACSR[6:5] == 10/* unsigned integer mode */
    Complete Accumulator[47:0] = {ACCextn[15:0], ACCn[31:0]}

```

The four accumulators are represented as an array, *ACCn*, where *n* selects the register.

Although the multiplier array is implemented in a four-stage pipeline, all arithmetic MAC instructions have an effective issue rate of 1 cycle, regardless of input operand size or type.

All arithmetic operations use register-based input operands, and summed values are stored internally in an accumulator. Thus, an additional move instruction is needed to store data in a general-purpose register. One new feature found in EMAC instructions is the ability to choose the upper or lower word of a register as a 16-bit input operand. This is useful in filtering operations if one data register is loaded with the input data and another is loaded with the coefficient. Two 16-bit multiply accumulates can be performed without fetching additional operands between instructions by alternating the word choice during the calculations.

The EMAC has four accumulator registers versus the MAC's one accumulator. The additional registers improve the performance of some algorithms by minimizing pipeline stalls needed to store an accumulator value back to general-purpose registers. Many algorithms require multiple calculations on a given data set. By applying different accumulators to these calculations, it is often possible to store one accumulator without any stalls while performing operations involving a different destination accumulator.

The need to move large amounts of data presents an obstacle to obtaining high throughput rates in DSP engines. New and existing ColdFire instructions can accommodate these requirements. A MOVEM instruction can move large blocks of data efficiently by generating line-sized burst transfers. The ability to simultaneously load an operand from memory into a register and execute a MAC instruction makes some DSP operations such as filtering and convolution more manageable.

The programming model includes a 16-bit mask register (MASK), which can optionally be used to generate an operand address during MAC + MOVE instructions. The application of this register with auto-increment addressing mode supports efficient implementation of circular data queues for memory operands.

The additional MAC status register (MACSR) contains a 4-bit operational mode field and condition flags. Operational mode bits control whether operands are signed or unsigned and whether they are treated as integers or fractions. These bits also control the overflow/saturation mode and the way in which rounding is performed. Negative, zero, and multiple overflow condition flags are also provided.

4.2 Memory Map/Register Definition

The EMAC provides the following program-visible registers:

- Four 32-bit accumulators ($ACC_n = ACC0, ACC1, ACC2, \text{ and } ACC3$)
- Eight 8-bit accumulator extensions (two per accumulator), packaged as two 32-bit values for load and store operations (ACCext01 and ACCext23)
- One 16-bit mask register (MASK)
- One 32-bit MAC status register (MACSR) including four indicator bits signaling product or accumulation overflow (one for each accumulator: PAV0–PAV3)

These registers are shown in [Figure 4-6](#).

31	0		
		MACSR	MAC status register
		ACC0	MAC accumulator 0
		ACC1	MAC accumulator 1
		ACC2	MAC accumulator 2
		ACC3	MAC accumulator 3
		ACCext01	Extensions for ACC0 and ACC1
		ACCext23	Extensions for ACC2 and ACC3
		MASK	MAC mask register

Figure 4-6. EMAC Register Set

4.2.1 MAC Status Register (MACSR)

MACSR functionality is organized as follows:

- MACSR[11–8] contains one product/accumulation overflow flag per accumulator.
- MACSR[7–4] defines the operating configuration of the MAC unit.
- MACSR[3–0] contains indicator flags from the last MAC instruction execution.

	31	30	29	28	27	26	25	24	23	22	21	20	19	18	17	16
R	0	0	0	0	0	0	0	0	0	0	0	0	0	0	0	0
W	[Shaded]															
Reset	0	0	0	0	0	0	0	0	0	0	0	0	0	0	0	0
Reg Addr	[Shaded]															
	15	14	13	12	11	10	9	8	7	6	5	4	3	2	1	0
R	0	0	0	0	PAVx				OMC	S/U	F/I	R/T	N	Z	V	EV
W	[Shaded]				[Shaded]											
Reset	0	0	0	0	0	0	0	0	0	0	0	0	0	0	0	0
Reg Addr	[Shaded]															

Figure 4-7. MAC Status Register (MACSR)

Table 4-1 describes MACSR fields.

Table 4-1. MACSR Field Descriptions

Bits	Name	Description
31–12	—	Reserved, should be cleared.
11–8	PAVx	Product/accumulation overflow flags. Contains four flags, one per accumulator, that indicate if past MAC or MSAC instructions generated an overflow during product calculation or the 48-bit accumulation. When a MAC or MSAC instruction is executed, the PAVx flag associated with the destination accumulator is used to form the general overflow flag, MACSR[V]. Once set, each flag remains set until V is cleared by a MOV.L , MACSR instruction or the accumulator is loaded directly.
7	OMC	Operational mode field: Overflow/saturation mode. Used to enable or disable saturation mode on overflow. If set, the accumulator is set to the appropriate constant on any operation which overflows the accumulator. Once saturated, the accumulator remains unaffected by any other MAC or MSAC instructions until either the overflow bit is cleared or the accumulator is directly loaded.

Table 4-1. MACSR Field Descriptions (Continued)

Bits	Name	Description
6	S/U	Operational mode field: Signed/unsigned operations. In integer mode: S/U determines whether operations performed are signed or unsigned. It also determines the accumulator value during saturation, if enabled. 0 Signed numbers. On overflow, if OMC is enabled, an accumulator saturates to the most positive (0x7FFF_FFFF) or the most negative (0x8000_0000) number, depending on both the instruction and the value of the product that overflowed. 1 Unsigned numbers. On overflow, if OMC is enabled, an accumulator saturates to the smallest value (0x0000_0000) or the largest value (0xFFFF_FFFF), depending on the instruction. In fractional mode: S/U controls rounding while storing an accumulator to a general-purpose register. 0 Move accumulator without rounding to a 16-bit value. Accumulator is moved to a general-purpose register as a 32-bit value. 1 The accumulator is rounded to a 16-bit value using the round-to-nearest (even) method when it is moved to a general-purpose register. See Section 4.2.1.1.1, "Rounding." The resulting 16-bit value is stored in the lower word of the destination register. The upper word is zero-filled. The accumulator value is not affected by this rounding procedure.
5	F/I	Operational mode field: Fractional/integer mode Determines whether input operands are treated as fractions or integers. 0 Integers can be represented in either signed or unsigned notation, depending on the value of S/U. 1 Fractions are represented in signed, fixed-point, two's complement notation. Values range from -1 to $1 - 2^{-15}$ for 16-bit fractions and -1 to $1 - 2^{-31}$ for 32-bit fractions. See Section 4.3.2, "Data Representation."
4	R/T	Operational mode field: Round/truncate mode. Controls the rounding procedure for MOV.L ACCx,Rx, or MSAC.L instructions when operating in fractional mode. 0 Truncate. The product's lsbs are dropped before it is combined with the accumulator. Additionally, when a store accumulator instruction is executed (MOV.L ACCx,Rx), the 8 lsbs of the 48-bit accumulator logic are simply truncated. 1 Round-to-nearest (even). The 64-bit product of two 32-bit, fractional operands is rounded to the nearest 40-bit value. If the low-order 24 bits equal 0x80_0000, the upper 40 bits are rounded to the nearest even (lsb = 0) value. See Section 4.2.1.1.1, "Rounding." Additionally, when a store accumulator instruction is executed (MOV.L ACCx,Rx), the lsbs of the 48-bit accumulator logic are used to round the resulting 16- or 32-bit value. If MACSR[S/U] = 0 and MACSR[R/T] = 1, the low-order 8 bits are used to round the resulting 32-bit fraction. If MACSR[S/U] = 1, the low-order 24 bits are used to round the resulting 16-bit fraction.
3	N	Negative flag. Set if the msb of the result is set, otherwise cleared. N is affected only by MAC, MSAC, and load operations; it is not affected by MULS and MULU instructions.
2	Z	Zero flag. Set if the result equals zero, otherwise cleared. This bit is affected only by MAC, MSAC, and load operations; it is not affected by MULS and MULU instructions.

Table 4-1. MACSR Field Descriptions (Continued)

Bits	Name	Description
1	V	Overflow flag. Set if an arithmetic overflow occurs on a MAC or MSAC instruction indicating that the result cannot be represented in the limited width of the EMAC. V is set only if a product overflow occurs or the accumulation overflows the 48-bit structure. V is evaluated on each MAC or MSAC operation and uses the appropriate PAVx flag in the next-state V evaluation.
0	EV	Extension overflow flag. Signals that the last MAC or MSAC instruction overflowed the 32 lsbs in integer mode or the 40 lsbs in fractional mode of the destination accumulator. However, the result is still accurately represented in the combined 48-bit accumulator structure. Although an overflow has occurred, the correct result, sign, and magnitude are contained in the 48-bit accumulator. Subsequent MAC or MSAC operations may return the accumulator to a valid 32/40-bit result.

Table 4-2 summarizes the interaction of the MACSR[S/U,F/I,R/T] control bits.

Table 4-2. Summary of S/U, F/I, and R/T Control Bits

S/U	F/I	R/T	Operational Modes
0	0	x	Signed, integer
0	1	0	Signed, fractional Truncate on MAC.L and MSAC.L No round on accumulator stores
0	1	1	Signed, fractional Round on MAC.L and MSAC.L Round-to-32-bits on accumulator stores
1	0	x	Unsigned, integer
1	1	0	Signed, fractional Truncate on MAC.L and MSAC.L Round-to-16-bits on accumulator stores
1	1	1	Signed, fractional Round on MAC.L and MSAC.L Round-to-16-bits on accumulator stores

4.2.1.1 Fractional Operation Mode

This section describes behavior when the fractional mode is used (MACSR[F/I] is set).

4.2.1.1.1 Rounding

When the processor is in fractional mode, there are two operations during which rounding can occur.

- Execution of a store accumulator instruction (MOV.L ACCx,Rx). The lsbs of the 48-bit accumulator logic are used to round the resulting 16- or 32-bit value. If MACSR[S/U] is cleared, the low-order 8 bits are used to round the resulting 32-bit fraction. If MACSR[S/U] is set, the low-order 24 bits are used to round the resulting 16-bit fraction.
- Execution of a MAC (or MSAC) instruction with 32-bit operands. If MACSR[R/T] is zero, multiplying two 32-bit numbers creates a 64-bit product that is truncated to the upper 40 bits; otherwise, it is rounded using round-to-nearest (even) method.

To understand the round-to-nearest-even method, consider the following example involving the rounding of a 32-bit number, R0, to a 16-bit number. Using this method, the 32-bit number is rounded to the closest 16-bit number possible. Let the high-order 16 bits of R0 be named R0.U and the low-order 16 bits be R0.L.

- If R0.L is less than 0x8000, the result is truncated to the value of R0.U.
- If R0.L is greater than 0x8000, the upper word is incremented (rounded up).
- If R0.L is 0x8000, R0 is half-way between two 16-bit numbers. In this case, rounding is based on the lsb of R0.U, so the result is always even (lsb = 0).
 - If the lsb of R0.U = 1 and R0.L = 0x8000, the number is rounded up.
 - If the lsb of R0.U = 0 and R0.L = 0x8000, the number is rounded down.

This method minimizes rounding bias and creates as statistically correct an answer as possible.

The rounding algorithm is summarized in the following pseudocode:

```
if R0.L < 0x8000
    then Result = R0.U
    else if R0.L > 0x8000
        then Result = R0.U + 1
        else if lsb of R0.U = 0                /* R0.L = 0x8000 */
            then Result = R0.U
            else Result = R0.U + 1
```

The round-to-nearest-even technique is also known as convergent rounding.

4.2.1.1.2 Saving and Restoring the EMAC Programming Model

The presence of rounding logic in the output datapath of the EMAC requires that special care be taken during the EMAC's save/restore process. In particular, any result rounding modes must be disabled during the save/restore process so the exact bit-wise contents of the EMAC registers are accessed. Consider the following memory structure containing the EMAC programming model:

```
struct macState {
    int acc0;
    int acc1;
    int acc2;
    int acc3;
    int accext01;
    int accext02;
    int mask;
    int macsr;
} macState;
```

The following assembly language routine shows the proper sequence for a correct EMAC state save. This code assumes all Dn and An registers are available for use and the memory location of the state save is defined by A7.

```
EMAC_state_save:
    move.l macsr,d7          ; save the macsr
    clr.l  d0                ; zero the register to ...
    move.l d0,macsr         ; disable rounding in the macsr
    move.l acc0,d0          ; save the accumulators
    move.l acc1,d1
    move.l acc2,d2
```

```

move.l  acc3,d3
move.l  accext01,d4      ; save the accumulator extensions
move.l  accext23,d5
move.l  mask,d6         ; save the address mask
movem.l #0x00ff,(a7)   ; move the state to memory

```

The following code performs the EMAC state restore:

EMAC_state_restore:

```

movem.l (a7),#0x00ff   ; restore the state from memory
move.l  #0,macsr       ; disable rounding in the macsr
move.l  d0,acc0        ; restore the accumulators
move.l  d1,acc1
move.l  d2,acc2
move.l  d3,acc3
move.l  d4,accext01    ; restore the accumulator extensions
move.l  d5,accext23
move.l  d6,mask        ; restore the address mask
move.l  d7,macsr       ; restore the macsr

```

By executing this type of sequence, the exact state of the EMAC programming model can be correctly saved and restored.

4.2.1.1.3 MULS/MULU

MULS and MULU are unaffected by fractional mode operation; operands are still assumed to be integers.

4.2.1.1.4 Scale Factor in MAC or MSAC Instructions

The scale factor is ignored while the MAC is in fractional mode.

4.2.2 Mask Register (MASK)

The 32-bit MASK implements the low-order 16 bits to minimize the alignment complications involved with loading and storing only 16 bits. When the MASK is loaded, the low-order 16 bits of the source operand are actually loaded into the register. When it is stored, the upper 16 bits are all forced to ones.

This register performs a simple AND with the operand address for MAC instructions. That is, the processor calculates the normal operand address and, if enabled, that address is then ANDed with {0xFFFF, MASK[15:0]} to form the final address. Therefore, with certain MASK bits cleared, the operand address can be constrained to a certain memory region. This is used primarily to implement circular queues in conjunction with the (An)+ addressing mode.

This feature minimizes the addressing support required for filtering, convolution, or any routine that implements a data array as a circular queue. For MAC + MOVE operations, the MASK contents can optionally be included in all memory effective address calculations. The syntax is as follows:

```
MAC.sz  Ry, RxSF, <ea>y&, Rw
```

The & operator enables the use of MASK and causes bit 5 of the extension word to be set. The exact algorithm for the use of MASK is as follows:

```

if extension word, bit [5] = 1, the MASK bit, then
    if <ea> = (An)
        oa = An & {0xFFFF, MASK}

    if <ea> = (An)+
        oa = An
        An = (An + 4) & {0xFFFF, MASK}

    if <ea> = -(An)
        oa = (An - 4) & {0xFFFF, MASK}
        An = (An - 4) & {0xFFFF, MASK}

    if <ea> = (d16,An)
        oa = (An + se_d16) & {0xFFFF0x, MASK}

```

Here, oa is the calculated operand address and se_d16 is a sign-extended 16-bit displacement. For auto-addressing modes of post-increment and pre-decrement, the calculation of the updated An value is also shown.

Use of the post-increment addressing mode, $\{(An)++\}$ with the MASK is suggested for circular queue implementations.

4.3 EMAC Instruction Set Summary

Table 4-5 summarizes EMAC unit instructions.

Table 4-3. EMAC Instruction Summary

Command	Mnemonic	Description
Multiply Signed	MULS <ea>y,Dx	Multiplies two signed operands yielding a signed result
Multiply Unsigned	MULU <ea>y,Dx	Multiplies two unsigned operands yielding an unsigned result
Multiply Accumulate	MAC Ry,RxSF,ACCx MSAC Ry,RxSF,ACCx	Multiplies two operands and adds/subtracts the product to/from an accumulator
Multiply Accumulate with Load	MAC Ry,Rx,<ea>y,Rw,ACCx MSAC Ry,Rx,<ea>y,Rw,ACCx	Multiplies two operands and combines the product to an accumulator while loading a register with the memory operand
Load Accumulator	MOV.L {Ry,#imm},ACCx	Loads an accumulator with a 32-bit operand
Store Accumulator	MOV.L ACCx,Rx	Writes the contents of an accumulator to a CPU register
Copy Accumulator	MOV.L ACCy,ACCx	Copies a 48-bit accumulator
Load MACSR	MOV.L {Ry,#imm},MACSR	Writes a value to MACSR
Store MACSR	MOV.L MACSR,Rx	Write the contents of MACSR to a CPU register
Store MACSR to CCR	MOV.L MACSR,CCR	Write the contents of MACSR to the CCR
Load MAC Mask Reg	MOV.L {Ry,#imm},MASK	Writes a value to the MASK register
Store MAC Mask Reg	MOV.L MASK,Rx	Writes the contents of the MASK to a CPU register
Load AccExtensions01	MOV.L {Ry,#imm},ACCext01	Loads the accumulator 0,1 extension bytes with a 32-bit operand

Table 4-3. EMAC Instruction Summary (Continued)

Command	Mnemonic	Description
Load AccExtensions23	MOV.L {Ry,#imm},ACCext23	Loads the accumulator 2,3 extension bytes with a 32-bit operand
Store AccExtensions01	MOV.L ACCext01,Rx	Writes the contents of accumulator 0,1 extension bytes into a CPU register
Store AccExtensions23	MOV.L ACCext23,Rx	Writes the contents of accumulator 2,3 extension bytes into a CPU register

4.3.1 EMAC Instruction Execution Timing

The instruction execution times for the EMAC can be found in Section 3.7, “Instruction Execution Timing.”

The ColdFire family supports two multiply-accumulate implementations that provide different levels of performance and capability for differing silicon costs. The EMAC features a four-stage execution pipeline, optimized for 32-bit operands with a fully-pipelined 32×32 multiply array and four 48-bit accumulators.

The EMAC execution pipeline overlaps the AGEX stage of the OEP; that is, the first stage of the EMAC pipeline is the last stage of the basic OEP. EMAC units are designed for sustained, fully-pipelined operation on accumulator load, copy, and multiply-accumulate instructions. However, instructions that store contents of the multiply-accumulate programming model can generate OEP stalls that expose the EMAC execution pipeline depth, as in the following:

```
mac.w    Ry, Rx, Acc0
```

```
move.l  Acc0, Rz
```

The `mov.l` instruction that stores the accumulator to an integer register (`Rz`) stalls until the program-visible copy of the accumulator is available. Figure 4-8 shows EMAC timing.

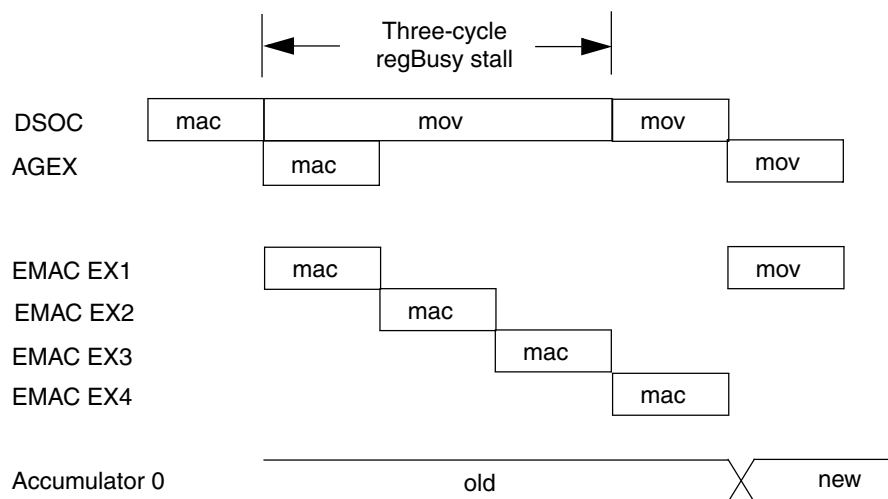


Figure 4-8. EMAC-Specific OEP Sequence Stall

In [Figure 4-8](#), the OEP stalls the store-accumulator instruction for 3 cycles: the depth of the EMAC pipeline minus 1. The minus 1 factor is needed because the OEP and EMAC pipelines overlap by a cycle, the AGEX stage. As the store-accumulator instruction reaches the AGEX stage where the operation is performed, the just-updated accumulator 0 value is available.

As with change or use stalls between accumulators and general-purpose registers, introducing intervening instructions that do not reference the busy register can reduce or eliminate sequence-related store-MAC instruction stalls. In fact, a major benefit of the EMAC is the addition of three accumulators to minimize stalls caused by exchanges between the accumulator(s) and the general-purpose registers.

4.3.2 Data Representation

MACSR[S/U,F/I] selects one of the following three modes, where each mode defines a unique operand type:

- Two's complement signed integer: In this format, an N-bit operand value lies in the range $-2^{(N-1)} \leq \text{operand} \leq 2^{(N-1)} - 1$. The binary point is right of the lsb.
- Unsigned integer: In this format, an N-bit operand value lies in the range $0 \leq \text{operand} \leq 2^N - 1$. The binary point is right of the lsb.
- Two's complement, signed fractional: In an N-bit number, the first bit is the sign bit. The remaining bits signify the first N-1 bits after the binary point. Given an N-bit number, $a_{N-1}a_{N-2}a_{N-3}\dots a_2a_1a_0$, its value is given by the equation in [Figure 4-9](#).

$$\text{value} = -(1 \cdot a_{N-1}) + \sum_{i=0}^{N-2} 2^{(i+1-N)} \cdot a_i$$

Figure 4-9. Two's Complement, Signed Fractional Equation

This format can represent numbers in the range $-1 \leq \text{operand} \leq 1 - 2^{(N-1)}$.

For words and longwords, the largest negative number that can be represented is -1, whose internal representation is 0x8000 and 0x8000_0000, respectively. The largest positive word is 0x7FFF or $(1 - 2^{-15})$; the most positive longword is 0x7FFF_FFFF or $(1 - 2^{-31})$.

4.3.3 EMAC Opcodes

EMAC opcodes are described in the *ColdFire Programmer's Reference Manual*.

Note the following:

- Unless otherwise noted, the value of MACSR[N,Z] is based on the result of the final operation that involves the product and the accumulator.
- The overflow (V) flag is handled differently. It is set if the complete product cannot be represented as a 40-bit value (this applies to 32×32 integer operations only) or if the combination of the product with an accumulator cannot be represented in the given number of bits. The EMAC design includes an additional product/accumulation overflow bit for each accumulator that are treated as sticky indicators and are used to calculate the V bit on each MAC or MSAC instruction. See [Section 4.2.1, "MAC Status Register \(MACSR\)."](#)

- For the MAC design, the assembler syntax of the MAC (multiply and add to accumulator) and MSAC (multiply and subtract from accumulator) instructions does not include a reference to the single accumulator. For the EMAC, it is expected that assemblers support this syntax and that no explicit reference to an accumulator is interpreted as a reference to ACC0. These assemblers would also support syntaxes where the destination accumulator is explicitly defined.
- The optional 1-bit shift of the product is specified using the notation {<<|>>} SF, where <<1 indicates a left shift and >>1 indicates a right shift. The shift is performed before the product is added to or subtracted from the accumulator. Without this operator, the product is not shifted. If the EMAC is in fractional mode (MACSR[F/I] is set), SF is ignored and no shift is performed. Because a product can overflow, the following guidelines are implemented:
 - For unsigned word and longword operations, a zero is shifted into the product on right shifts.
 - For signed, word operations, the sign bit is shifted into the product on right shifts unless the product is zero. For signed, longword operations, the sign bit is shifted into the product unless an overflow occurs or the product is zero, in which case a zero is shifted in.
 - For all left shifts, a zero is inserted into the lsb position.

The following pseudocode explains basic MAC or MSAC instruction functionality. This example is presented as a case statement covering the three basic operating modes with signed integers, unsigned integers, and signed fractionals. Throughout this example, a comma-separated list in curly brackets, {}, indicates a concatenation operation.

```
switch (MACSR[6:5])      /* MACSR[S/U, F/I] */
{
  case 0:                /* signed integers */
    if (MACSR.OMC == 0 || MACSR.PAVx == 0)
      then {
        MACSR.PAVx = 0
        /* select the input operands */
        if (sz == word)
          then {if (U/Ly == 1)
                then operandY[31:0] = {sign-extended Ry[31], Ry[31:16]}
                else operandY[31:0] = {sign-extended Ry[15], Ry[15:0]}
              if (U/Lx == 1)
                then operandX[31:0] = {sign-extended Rx[31], Rx[31:16]}
                else operandX[31:0] = {sign-extended Rx[15], Rx[15:0]}
              }
          else {operandY[31:0] = Ry[31:0]
                operandX[31:0] = Rx[31:0]
              }
        }

        /* perform the multiply */
        product[63:0] = operandY[31:0] * operandX[31:0]

        /* check for product overflow */
        if ((product[63:39] != 0x0000_00_0) && (product[63:39] != 0xffff
            f_ff_1))
          then {          /* product overflow */
            MACSR.PAVx = 1
            MACSR.V = 1
            if (inst == MSAC && MACSR.OMC == 1)
              then if (product[63] == 1)
                    then result[47:0] = 0x0000_7fff_ffff
                    else result[47:0] = 0xffff_8000_0000
          }
      }
}
```



```

        else if (MACSR.OMC == 1)
            then /* overflowed MAC,
                  saturationMode enabled */
                if (product[63] == 1)
                    then result[47:0] = 0xffff_8000_0000
                    else result[47:0] = 0x0000_7fff_ffff
            }

/* sign-extend to 48 bits before performing any scaling */
    product[47:40] = {8{product[39]}} /* sign-extend */

/* scale product before combining with accumulator */
switch (SF) /* 2-bit scale factor */
{
    case 0: /* no scaling specified */
        break;
    case 1: /* SF = "<< 1" */
        product[40:0] = {product[39:0], 0}
        break;
    case 2: /* reserved encoding */
        break;
    case 3: /* SF = ">> 1" */
        product[39:0] = {product[39], product[39:1]}
        break;
}

if (MACSR.PAVx == 0)
    then {if (inst == MSAC)
          then result[47:0] = ACCx[47:0] - product[47:0]
          else result[47:0] = ACCx[47:0] + product[47:0]
        }

/* check for accumulation overflow */
if (accumulationOverflow == 1)
    then {MACSR.PAVx = 1
          MACSR.V = 1
          if (MACSR.OMC == 1)
              then /* accumulation overflow,
                    saturationMode enabled */
                  if (result[47] == 1)
                      then result[47:0] = 0x0000_7fff_ffff
                      else result[47:0] = 0xffff_8000_0000
              }
    }

/* transfer the result to the accumulator */
ACCx[47:0] = result[47:0]
}
MACSR.V = MACSR.PAVx
MACSR.N = ACCx[47]
if (ACCx[47:0] == 0x0000_0000_0000)
    then MACSR.Z = 1
    else MACSR.Z = 0
if ((ACCx[47:31] == 0x0000_0) || (ACCx[47:31] == 0xffff_1))
    then MACSR.EV = 0

```

```

        else MACSR.EV = 1
break;
    case 1,3:          /* signed fractionals */
if (MACSR.OMC == 0 || MACSR.PAVx == 0)
    then {
        MACSR.PAVx = 0
        if (sz == word)
            then {if (U/Ly == 1)
                    then operandY[31:0] = {Ry[31:16], 0x0000}
                    else operandY[31:0] = {Ry[15:0], 0x0000}
                if (U/Lx == 1)
                    then operandX[31:0] = {Rx[31:16], 0x0000}
                    else operandX[31:0] = {Rx[15:0], 0x0000}
                }
            else {operandY[31:0] = Ry[31:0]
                  operandX[31:0] = Rx[31:0]
                }
        }
        /* perform the multiply */
product[63:0] = (operandY[31:0] * operandX[31:0]) << 1
        /* check for product rounding */
if (MACSR.R/T == 1)
    then { /* perform convergent rounding */
            if (product[23:0] > 0x80_0000)
                then product[63:24] = product[63:24] + 1
                else if ((product[23:0] == 0x80_0000) && (product[24] == 1))
                    then product[63:24] = product[63:24] + 1
            }
        /* sign-extend to 48 bits and combine with accumulator */
        /* check for the -1 * -1 overflow case */
if ((operandY[31:0] == 0x8000_0000) && (operandX[31:0] == 0x8000_0000))
    then product[71:64] = 0x00          /* zero-fill */
    else product[71:64] = {8{product[63]}} /* sign-extend */
if (inst == MSAC)
    then result[47:0] = ACCx[47:0] - product[71:24]
    else result[47:0] = ACCx[47:0] + product[71:24]
        /* check for accumulation overflow */
if (accumulationOverflow == 1)
    then {MACSR.PAVx = 1
          MACSR.V = 1
          if (MACSR.OMC == 1)
              then /* accumulation overflow,
                    saturationMode enabled */
                    if (result[47] == 1)
                        then result[47:0] = 0x007f_ffff_ff00
                        else result[47:0] = 0xff80_0000_0000
                    }
        }
        /* transfer the result to the accumulator */
ACCx[47:0] = result[47:0]
    }
MACSR.V = MACSR.PAVx
MACSR.N = ACCx[47]
if (ACCx[47:0] == 0x0000_0000_0000)
    then MACSR.Z = 1

```

```

        else MACSR.Z = 0
    if ((ACCx[47:39] == 0x00_0) || (ACCx[47:39] == 0xff_1))
        then MACSR.EV = 0
        else MACSR.EV = 1
break;
case 2:          /* unsigned integers */
    if (MACSR.OMC == 0 || MACSR.PAVx == 0)
        then {
            MACSR.PAVx = 0
            /* select the input operands */
            if (sz == word)
                then {if (U/Ly == 1)
                    then operandY[31:0] = {0x0000, Ry[31:16]}
                    else operandY[31:0] = {0x0000, Ry[15:0]}
                    if (U/Lx == 1)
                        then operandX[31:0] = {0x0000, Rx[31:16]}
                        else operandX[31:0] = {0x0000, Rx[15:0]}
                    }
                else {operandY[31:0] = Ry[31:0]
                    operandX[31:0] = Rx[31:0]
                    }
            }

            /* perform the multiply */
            product[63:0] = operandY[31:0] * operandX[31:0]

            /* check for product overflow */
            if (product[63:40] != 0x0000_00)
                then {          /* product overflow */
                    MACSR.PAVx = 1
                    MACSR.V = 1
                    if (inst == MSAC && MACSR.OMC == 1)
                        then result[47:0] = 0x0000_0000_0000
                        else if (MACSR.OMC == 1)
                            then /* overflowed MAC,
                                saturationMode enabled */
                                result[47:0] = 0xffff_ffff_ffff
                    }

            /* zero-fill to 48 bits before performing any scaling */
            product[47:40] = 0    /* zero-fill upper byte */

            /* scale product before combining with accumulator */
            switch (SF)          /* 2-bit scale factor */
            {
                case 0:          /* no scaling specified */
                    break;
                case 1:          /* SF = "<< 1" */
                    product[40:0] = {product[39:0], 0}
                    break;
                case 2:          /* reserved encoding */
                    break;
                case 3:          /* SF = ">> 1" */
                    product[39:0] = {0, product[39:1]}
            }

```

```

        break;
    }

    /* combine with accumulator */
    if (MACSR.PAVx == 0)
        then {if (inst == MSAC)
                then result[47:0] = ACCx[47:0] - product[47:0]
                else result[47:0] = ACCx[47:0] + product[47:0]
            }

    /* check for accumulation overflow */
    if (accumulationOverflow == 1)
        then {MACSR.PAVx = 1
              MACSR.V = 1
              if (inst == MSAC && MACSR.OMC == 1)
                  then result[47:0] = 0x0000_0000_0000
                  else if (MACSR.OMC == 1)
                      then /* overflowed MAC,
                           saturationMode enabled */
                           result[47:0] = 0xffff_ffff_ffff
            }

    /* transfer the result to the accumulator */
    ACCx[47:0] = result[47:0]
}
MACSR.V = MACSR.PAVx
MACSR.N = ACCx[47]
if (ACCx[47:0] == 0x0000_0000_0000)
    then MACSR.Z = 1
    else MACSR.Z = 0
if (ACCx[47:32] == 0x0000)
    then MACSR.EV = 0
    else MACSR.EV = 1
break;
}

```

Chapter 5

Memory Management Unit (MMU)

This chapter describes the ColdFire virtual memory management unit (MMU), which provides virtual-to-physical address translation and memory access control. The MMU consists of memory-mapped control, status, and fault registers that provide access to translation-lookaside buffers (TLBs). Software can control address translation and access attributes of a virtual address by configuring MMU control registers and loading TLBs. With software support, the MMU provides demand-paged, virtual addressing.

5.1 Features

The MMU has the following features:

- MMU memory-mapped control, status, and fault registers
 - Support a flexible, software-defined virtual environment
 - Provide control and maintenance of TLBs
 - Provide fault status and recovery information functions
- Separate, 32-entry, fully associative instruction and data TLBs (Harvard TLBs)
 - Resides in the controller
 - Operates in parallel with the memories
 - Suffers no performance penalty on TLB hits
 - Supports 1-, 4-, and 8-Kbyte and 1-Mbyte page sizes concurrently
 - Contains register-based TLB entries
- Core extensions:
 - User stack pointer
 - All access error exceptions are precise and recoverable
- Harvard TLB provides 97% of baseline performance on large embedded applications using equivalent V4 without MMU support as a baseline.

5.2 Virtual Memory Management Architecture

The ColdFire memory management architecture provides a demand-paged, virtual-address environment with hardware address translation acceleration. It supports supervisor/user, read, write, and execute permission checking on a per-memory request basis.

The architecture defines the MMU TLB, associated control logic, TLB hit/miss logic, address translation based on the TLB contents, and access faults due to TLB misses and access violations. It intentionally leaves some virtual environment details undefined to maximize the software-defined flexibility. These include the exact structure of the memory-resident pointer descriptor/page descriptor tables, the base registers for these tables, the exact information stored in the tables, the methodology (if any) for maintenance of access, and written information on a per-page basis.

5.2.1 MMU Architecture Features

To add optional virtual addressing support, demand-page support, permission checking, and hardware address translation acceleration to the ColdFire architecture, the MMU architecture features the following:

- Addresses from the core to the are treated as physical or virtual addresses.
- The address access control logic, address attribute logic, memories, and controller function as in previous ColdFire versions with the addition of the MMU. The MMU, its TLB, and associated control reside in the logic.
- The MMU appears as a memory-mapped device in the space. Information for access error fault processing is stored in the MMU.
- A precise fault (transfer error acknowledge) signals the core on translation (TLB miss) and access faults. The core supports an instruction restart model for this fault class. Note that this structure uses the existing ColdFire access error fault vector and needs no new ColdFire exception stack frames.
- The following additions are made to the memory access control to better support the fault processing and memory maintenance necessary for this virtual addressing environment. These additions improve memory performance and functionality for physical and virtual address environments:
 - New supervisor-protect bits to the access control registers (ACRs) and the cache control register (CACR)
 - Improved addressing of the ACRs

5.2.2 MMU Architecture Location

Figure 5-1 shows the placement of the MMU/TLB hardware. It follows a traditional model in which it is closely coupled to the processor local-memory controllers.

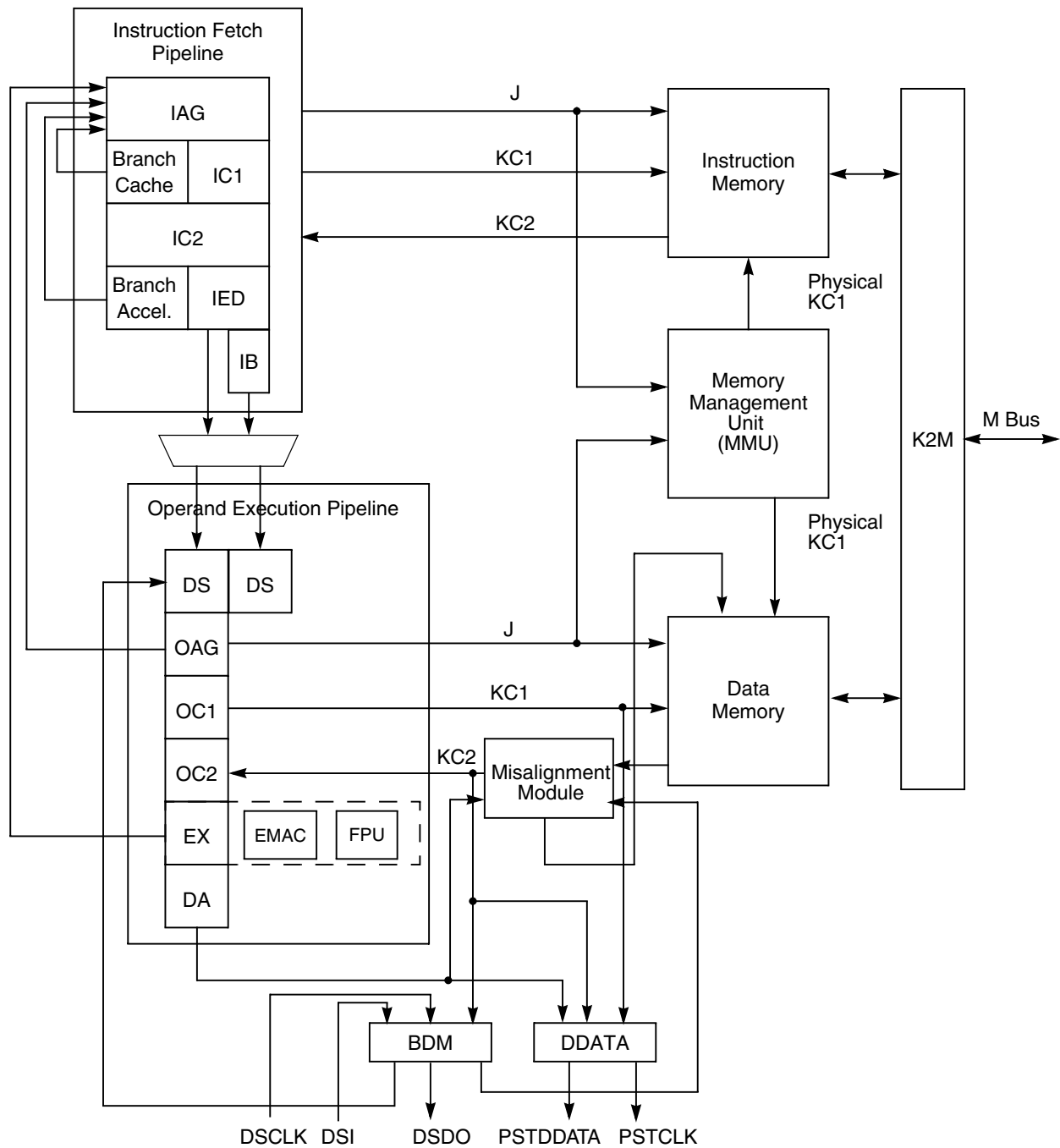


Figure 5-1. CF4e Processor Core Block with MMU

5.2.3 MMU Architecture Implementation

This section describes ColdFire design additions and changes for the MMU architecture. It includes precise faults, MMU access, virtual mode, virtual memory references, instruction and data cache addresses, supervisor/user stack pointers, access error stack frame additions, expanded control register space, ACR address improvements, supervisor protection, and debugging in a virtual environment.

5.2.3.1 Precise Faults

The MMU architecture performs virtual-to-physical address translation and permission checking in the core. To support demand-paging, the core design provides a precise, recoverable fault for all references.

5.2.3.2 MMU Access

The MMU TLB control registers are memory-mapped. The TLB entries are read and written indirectly through the MMU control registers. The memory space for these resources is defined by a new supervisor program model register, the MMU base address register (MMUBAR). This register defines a supervisor-mode, data-only space. It has the highest priority for the data address mode determination.

5.2.3.3 Virtual Mode

Every instruction and data reference is either a virtual or physical address mode access. All addresses for special mode (interrupt acknowledges, emulator mode operations, etc.) accesses are physical. All addresses are physical if the MMU is not enabled. If the MMU is present and enabled, the address mode for normal accesses is determined by the MMUBAR, RAMBARs, and ACRs in the priority order listed. Addresses that hit in the MMUBAR, RAMBARs, and ACRs are treated as physical references. These addresses are not translated and their address attributes are sourced from the highest priority mapping register they hit. If an address hits none of these mapping registers, it is a virtual address and is sent to the MMU. If the MMU is enabled, the default CACR information is not used.

5.2.3.4 Virtual Memory References

The ColdFire MMU architecture references the MMU for all virtual mode accesses to the . MMU, SRAM and ACR memory spaces are treated as physical address spaces and all permissions that apply to these spaces are contained in the respective mapping register. The virtual mode access either hits or misses in the TLB of the MMU. A TLB miss generates an access fault in the processor, allowing software to either load the appropriate translation into the TLB and restart the faulting instruction or abort the process. Each TLB hit checks permissions based on the access control information in the referenced TLB entry.

5.2.3.5 Instruction and Data Cache Addresses

For a given page size, virtual address bits that reference within a page are called the in-page address. All bits above this are the virtual page number. Likewise, the physical address has a physical page number and in-page address bits. Virtual and physical in-page address bits are the same; the MMU translates the virtual page number to the physical page number.

Instruction and data caches are accessed with the untranslated address. The translated address is used for cache allocation. That is, caches are virtual-address accessed and physical-address tagged. If instruction and data cache addresses are not larger than the in-page address for the smallest active MMU page, the cache is considered physically accessed; if they are larger, the cache can have aliasing problems between virtual and cache addresses. Software handles these problems by forcing the virtual address to be equal to the physical address for those bits addressing the cache, but above the in-page address of the smallest active page size. The number of these bits depends on cache and page sizes.

Caches are addressed with the virtual address, because the cache uses synchronous memory elements, and an access starts at the rising-clock edge of the first pipeline stage. The MMU provides a physical address midway through this cycle.

If the cache set address has fewer bits than the in-page address, the cache is considered physically addressed because these bits are the same in the virtual and physical addresses. If the cache set address has

more bits than the in-page address, one or more of the low-order virtual page number bits are used to address the cache. The MMU translates these bits; the resulting low-order physical page number bits are used to determine cache hits.

Address aliasing problems occur when two virtual addresses access one physical page. This is generally allowed and, if the page is cacheable, one coherent copy of the page image is mapped in the cache at any time.

If multiple virtual addresses pointing to the same physical address differ only in the low-order virtual page number bits, conflicting copies can be allocated. For an 8-Kbyte, 4-way, set-associative cache with a 16-byte line size, the cache set address uses address bits 10–4. If virtual addresses 0x0_1000 and 0x0_1400 are mapped to physical address 0x0_1000, using virtual address 0x0_1000 loads cache set 0x00; using virtual address 0x0_1400 loads cache set 0x40. This puts two copies of the same physical address in the cache making this memory space not coherent. To avoid this problem, software must force low-order virtual page number bits to be equal to low-order physical address bits for all bits used to address the cache set.

5.2.3.6 Supervisor/User Stack Pointers

To isolate supervisor and user modes, CF4e implements two A7 register stack pointers, one for supervisor mode (SSP) and one for user mode (USP). Two former M68000 family privileged instructions to load and store the user stack pointer are restored in the instruction set architecture.

5.2.3.7 Access Error Stack Frame

accesses that fault (that is, terminate with a transfer error acknowledge) generate an access error exception. MMU TLB misses and access violations use the same fault. To quickly determine if a fault was due to a TLB miss or another type of access error, new fault status field (FS) encodings in the exception stack frame signal TLB misses on the following:

- Instruction fetch
- Instruction extension fetch
- Data read
- Data write

See [Section 5.4.3, “Access Error Stack Frame Additions,”](#) for more information.

5.2.3.8 Expanded Control Register Space

The MMU base address register (MMUBAR) is added for ColdFire virtual mode. Like other control registers, it can be accessed from the debug module or written using the privileged MOVEC instruction. See [Section 5.5.3.1, “MMU Base Address Register \(MMUBAR\).”](#)

5.2.3.9 Changes to ACRs and CACR

New ACR and CACR bits, [Table 5-1](#), improve address granularity and supervisor mode protection. These improvements are not necessary to implement the ColdFire MMU, but they improve memory functionality for physical and virtual address environments.

Table 5-1. New ACR and CACR Bits

Bits	Name	Description
ACR n [10]	AMM	Address mask mode. Determines access to the associated address space. 0 The ACR hit function is the same as previous versions, allowing control of a 16-Mbyte or greater memory region. 1 The upper 8 bits of the address and ACR are compared without a mask function; bits 23–20 of the address and ACR are compared masked by ACR[19–16], allowing control of a 1- to 16-Mbyte region. Reset value is 0.
ACR n [3]	SP	Supervisor protect. Determines access to the associated address space. 0 Supervisor and user access allowed. 1 Only supervisor access allowed. Attempted user access causes an access error exception. Reset value is 0.
CACR[23]	DDSP	Default data supervisor protect. Determines access to the associated data space. 0 Supervisor and user access allowed. 1 Only supervisor access allowed. Attempted user access causes an access error exception. Reset value is 0.
CACR[7]	DISP	Default instruction supervisor protect. Determines access to the associated instruction space. 0 Supervisor and user access allowed. 1 Only supervisor access allowed. Attempted user access causes access error exception Reset value is 0.

5.2.3.10 ACR Address Improvements

ACRs provide a 16-Mbyte address window. For a given request address, if the ACR is valid and the request mode matches the mode specified in the supervisor mode field, ACR n [S], hit determination is specified as follows:

```
ACRx_Hit = 0;
if ((address[31:24] & ~ACR $n$ [23:16]) == (ACR $n$ [31:24] & ~ACR $n$ [23:16]))
    ACRx_Hit = 1;
```

With this hit function, ACRs can assign address attributes for user or supervisor requests to memory spaces of at least 16 Mbytes (through the address mask). With the MMU definition, the ACR hit function is improved by the address mask mode bit (ACR n [AMM]), which supports finer address granularity. See [Table 5-1](#).

The revised hit determination becomes the following:

```
ACRx_Hit = 0;
if (ACR $n$ [10] == 1)
    if ((address[31-24] == ACR $n$ [31-24])) &&
        ((address[23-20] & ~ACR $n$ [19-16]) == (ACR $n$ [23-20] & ~ACR $n$ [19-16]))
            ACRx_Hit = 1;
else if (address[31-24] & ~ACR $n$ [23-16]) == (ACR $n$ [31-24] & ~ACR $n$ [23-16]))
    ACRx_Hit = 1;
```

5.2.3.11 Supervisor Protection

Each instruction or data reference is either a supervisor or user access. The CPU's status register supervisor bit (SR[S]) determines the operating mode. New ACR and CACR bits protect supervisor space. See [Table 5-1](#).

5.3 Debugging in a Virtual Environment

To support debugging in a virtual environment, numerous enhancements are implemented in the ColdFire debug architecture. These enhancements are collectively called Debug revision D and primarily relate to the addition of an 8-bit address space identifier (ASID) to yield a 40-bit virtual address. This expansion affects two major debug functions:

- The ASID is optionally included in the hardware breakpoint registers specification. For example, the four PC breakpoint registers are expanded by 8 bits each, so that a specific ASID value can be part of the breakpoint instruction address. Likewise, data address/data breakpoint registers are expanded to include an ASID value. The new control registers define whether and how the ASID is included in the breakpoint comparison trigger logic.
- The debug module implements the concept of ownership trace in which an ASID value can be optionally displayed as part of real-time trace. When enabled, real-time trace displays instruction addresses on any change-of-flow instruction that is not absolute or PC-relative. For Debug revision D architecture, the address display is expanded to optionally include ASID contents, thus providing the complete instruction virtual address on these instructions. Additionally, when a Sync_PC serial BDM command is loaded from the external development system, the processor displays the complete virtual instruction address, including the 8-bit ASID value.

The MMU control registers are accessible through serial BDM commands. See Chapter 8, “Debug Support.”

5.4 Virtual Memory Architecture Processor Support

To support the MMU, enhancements have been made to the exception model, the stack pointers, and the access error stack frame.

5.4.1 Precise Faults

To support demand-paging, all memory references require precise, recoverable faults. The ColdFire instruction restart mechanism ensures that a faulted instruction restarts from the beginning of execution; that is, no internal state information is saved when an exception occurs and none is restored when the handler ends. Given the PC address defined in the exception stack frame, the processor reestablishes program execution by transferring control to the given location as part of the RTE (return from exception) instruction.

For a detailed description, see Section 3.9, “Precise Faults.”

5.4.2 Supervisor/User Stack Pointers

To provide the required isolation between these operating modes as dictated by a virtual memory management scheme, a user stack pointer (A7–USP) is added. The appropriate stack pointer register (SSP, USP) is accessed as a function of the processor's operating mode.

In addition, the following two privileged M68000 family instructions to load/store the USP are added to the ColdFire instruction set architecture:

```
mov.l   Ay,USP   # move to   USP: opcode = 0x4E6{0-7}
mov.l   USP,Ax   # move from USP: opcode = 0x4E6{8-F}
```

The address register number is encoded in the three low-order bits of the opcode.

These instructions are described in detail in [Section 5.7, “MMU Instructions.”](#)

5.4.3 Access Error Stack Frame Additions

ColdFire exceptions generate a standard 2-longword stack frame, signaling the contents of the SR and PC at the time of the exception, the exception type, and a 4-bit fault status field (FS). The first longword contains the 16-bit format/vector word (F/V) and the 16-bit status register. The second contains the 32-bit program counter address of the faulted instruction.

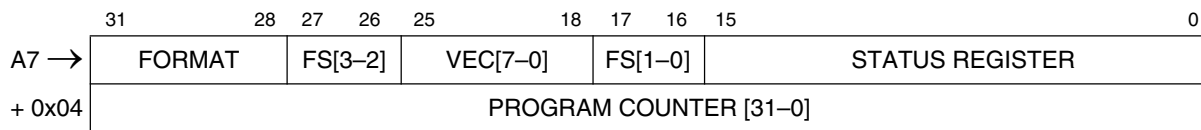


Figure 5-2. Exception Stack Frame

The FS field is used for access and address errors. To optimize TLB miss exception handling, new FS encodings ([Table 5-2](#)) allow quick error classification.

Table 5-2. Fault Status Encodings

FS[3:0]	Definition
0000	Not an access or address error
0001, 001x	Reserved
0100	Error (for example, protection fault) on instruction fetch
0101	TLB miss on opword of instruction fetch (New in CF4e)
0110	TLB miss on extension word of instruction fetch (New in CF4e)
0111	IFP access error while executing in emulator mode (New in CF4e)
1000	Error on data write
1001	Attempted write of protected space
1010	TLB miss on data write (New in CF4e)
1011	Reserved
1100	Error on data read
1101	Attempted read, read-modify-write of protected space (New in CF4e)
1110	TLB miss on data read, or read-modify-write (New in CF4e)
1111	OEP access error while executing in emulator mode (New in CF4e)

5.5 MMU Definition

The ColdFire MMU provides a virtual address, demand-paged memory architecture. The MMU supports hardware address translation acceleration using software-managed TLBs. It enforces permission checking on a per-memory request basis, and has control, status, and fault registers for MMU operation.

5.5.1 Effective Address Attribute Determination

The ColdFire core generates an effective memory address for all instruction fetches and data read and write memory accesses. The previous ColdFire memory access control model was based strictly on physical addresses. Every memory request address is a physical address that is analyzed by this memory access control logic and assigned address attributes, which include the following:

- Cache mode
- SRAM enable information
- Write protect information
- Write mode information

These attributes control processing of the memory request. The address itself is not affected by memory access control logic.

Instruction and data references base effective address attributes and access mode on the instruction type and the effective address. Accesses are of the following two types:

- Special mode accesses, including interrupt acknowledges, reads/writes to program-visible control registers (such as CACR, ROMBARs, RAMBARs, and ACRs), cache control commands (CPUSHL and INTOUCH), and emulator mode operations. These accesses have the following attributes:
 - Non-cacheable
 - Precise
 - No write protection

Unless the CPU space/IACK mask bit is set, interrupt acknowledge cycles and emulator mode operations are allowed to hit in RAMBARs and ROMBARs. All other operations are normal mode accesses.

- Normal mode accesses. For these accesses, an effective cache mode, precision and write-protection are calculated for each request.

For data, a normal mode access address is compared with the following priority, from highest to lowest: RAMBAR0, RAMBAR1, ROMBAR0, ROMBAR1, ACR0, and ACR1. If no match is found, default attributes in the CACR are used. The priority for instruction accesses is RAMBAR0, RAMBAR1, ROMBAR0, ROMBAR1, ACR2, and ACR3. Again, if no match is found, default CACR attributes are used.

Only the test-and-set (TAS) instruction can generate a normal mode access with implied cache mode and precision. TAS is a special, byte-sized, read-modify-write instruction used in synchronization routines. A TAS data access that does not hit in the RAMBARs is non-cacheable and precise. TAS uses the normal effective write protection.

The ColdFire MMU is an optional enhancement to the memory access control. If the MMU is present and enabled, it adds two factors for calculating effective address attributes:

- MMUBAR defines a memory-mapped, privileged data-only space with the highest priority in effective address attribute calculation for the data (that is, the MMUBAR has priority over RAMBAR0).
- If virtual mode is enabled, any normal mode access that does not hit in the MMUBAR, RAMBARs, ROMBARs, or ACRs is considered a normal mode virtual address request and generates its access attributes from the MMU. For this case, the default CACR address attributes are not used.

The MMU also uses TLB contents to perform virtual-to-physical address translation.

5.5.2 MMU Functionality

The MMU provides virtual-to-physical address translation and memory access control. The MMU consists of memory-mapped, control, status, and fault registers, and a TLB that can be accessed through MMU registers. Supervisor software can access these resources through MMUBAR. Software can control address translation and access attributes of a virtual address by configuring MMU control registers and loading the MMU's TLB, which functions as a cache, associating virtual addresses to corresponding physical addresses and providing access attributes. Each TLB entry maps a virtual page. Several page sizes are supported. Features such as clear-all and probe-for-hit help maintain TLBs.

Fault-free, virtual address accesses that hit in the TLB incur no pipeline delay. Accesses that miss the TLB or hit the TLB but violate an access attribute generate an access error exception. On an access error, software can reference address and information registers in the MMU to retrieve data. Depending on the fault source, software can obtain and load a new TLB entry, modify the attributes of an existing entry, or abort the faulting process.

5.5.3 MMU Organization

Access to the MMU memory-mapped region is controlled by MMUBAR, a 32-bit supervisor control register at 0x008 that is accessed using MOVEC or the serial BDM debug port. The *ColdFire Programmers Reference Manual* describes the MOVEC instruction.

5.5.3.1 MMU Base Address Register (MMUBAR)

Figure 5-3 shows MMUBAR. The default reset state is an invalid MMUBAR, so that the MMU is disabled and the memory-mapped space is not visible.

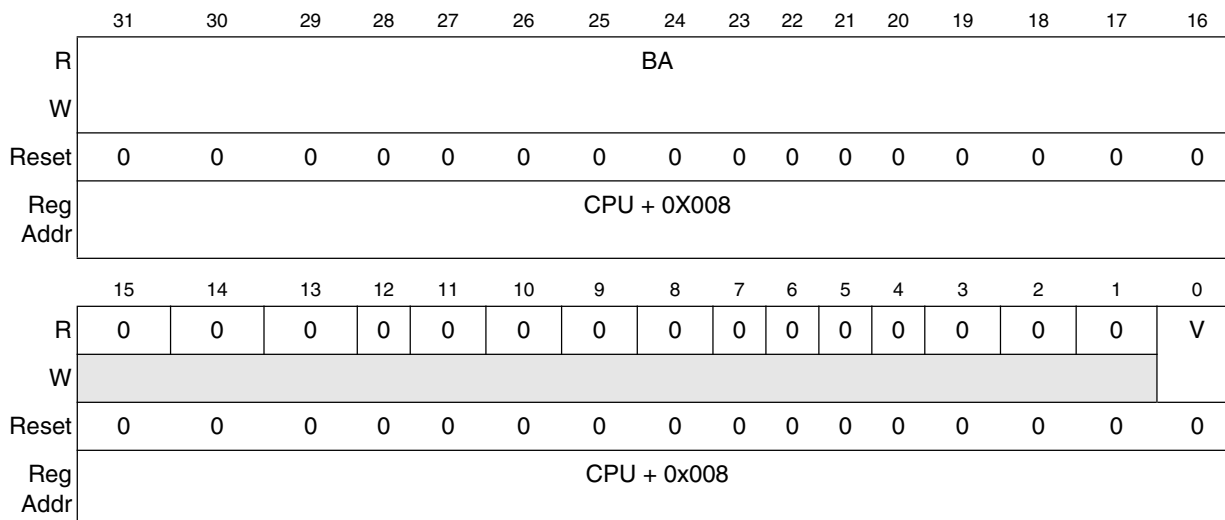


Figure 5-3. MMU Base Address Register (MMUBAR)

Table 5-3 describes MMU base address register fields.

Table 5-3. MMUBAR Field Descriptions

Bits	Name	Description
31–16	BA	Base address. Defines the base address for the 64-Kbyte address space mapped to the MMU.
15–1	—	Reserved, should be cleared. Writes are ignored and reads return zeros.
0	V	Valid. Indicates when MMUMBAR contents are valid. BA is not used unless V is set. 0 MMUBAR contents are not valid. 1 MMUBAR contents are valid.

5.5.3.2 MMU Memory Map

MMUBAR holds the base address for the 64-Kbyte MMU memory map, shown in Table 5-4. The MMU memory map area is not visible unless the MMUBAR is valid and must be referenced aligned. A large portion of the map is reserved for future use.

Table 5-4. MMU Memory Map

Offset from MMUBAR	Name
+ 0x0000	MMU control register (MMUCR)
+ 0x0004	MMU operation register (MMUOR)
+ 0x0008	MMU status register (MMUSR)
+ 0x000C	Reserved
+ 0x0010	MMU fault, test, or TLB address register (MMUAR)
+ 0x0014	MMU read/write TLB tag register (MMUTR)
+ 0x0018	MMU read/write TLB data register (MMUDR)

Table 5-4. MMU Memory Map

Offset from MMUBAR	Name
+ 0x001C–0xFFFC	Reserved ¹

¹ May be used for implementation-specific information/control registers

The address space ID (ASID) is located in a CPU space control register. The 8-bit ASID value located in the low order byte of a 32-bit supervisor control register, mapped into CPU space at address 0x003 and accessed using a MOVEC instruction. The *ColdFire Family Programmer's Reference Manual* describes MOVEC.

This 8-bit field is the current user ASID. The ASID is an extension to the virtual address. Address space 0x00 may be reserved for supervisor mode. See address space mode functionality in [Section 5.5.3.3, "MMU Control Register \(MMUCR\)."](#) The other 255 address spaces are used to tag user processes. The TLB entry ASID values are compared to this value for user mode unless the TLB entry is marked shared (MMUTR[SG] is set). The TLB entry ASID value may be compared to 0x00 for supervisor accesses.

5.5.3.3 MMU Control Register (MMUCR)

MMUCR, [Figure 5-4](#), has the address space mode and virtual mode enable bits. The user must force pipeline synchronization after writing to this register. Therefore, all writes to this register must be immediately followed by a NOP instruction.

	31	30	29	28	27	26	25	24	23	22	21	20	19	18	17	16
R	0	0	0	0	0	0	0	0	0	0	0	0	0	0	0	
W																
Reset	0	0	0	0	0	0	0	0	0	0	0	0	0	0	0	0
Reg Addr	MMUBAR + 0X000															
	15	14	13	12	11	10	9	8	7	6	5	4	3	2	1	0
R	0	0	0	0	0	0	0	0	0	0	0	0	0	0	ASM	EN
W																
Reset	0	0	0	0	0	0	0	0	0	0	0	0	0	0	0	0
Reg Addr	MMUBAR + 0x000															

Figure 5-4. MMU Control Register (MMUCR)

[Table 5-5](#) describes MMUCR fields.

Table 5-5. MMUCR Field Descriptions

Bits	Name	Description
31–2	—	Reserved, should be cleared. Writes are ignored and reads return zeros.
1	ASM	Address space mode. Controls how the address space ID is used for TLB hits. 0 TLB entry ASID values are compared to the address space ID register value for user or supervisor mode unless the TLB entry is marked shared (MMUTR[SG] = 1). The address space ID register value is the effective address space for all requests, supervisor and user. 1 Address space 0x00 is reserved for supervisor mode and the effective address space is forced to 0x00 for all supervisor accesses. The other 255 address spaces are used to tag user processes. The TLB entry ASID values are compared to the address space ID register for user mode unless the TLB entry is marked shared (SG = 1). The TLB entry ASID value is always compared to 0x00 for supervisor accesses. This allows two levels of sharing. All users but not the supervisor share an entry if SG = 1 and ASID ≠ 0. All users and the supervisor share an entry if SG = 1 and ASID = 0
0	EN	Virtual mode enabled. Indicates when virtual mode is enabled. 0 Virtual mode is disabled. 1 Virtual mode is enabled.

5.5.3.4 MMU Operation Register (MMUOR)

Figure 5-5 shows the MMUOR.

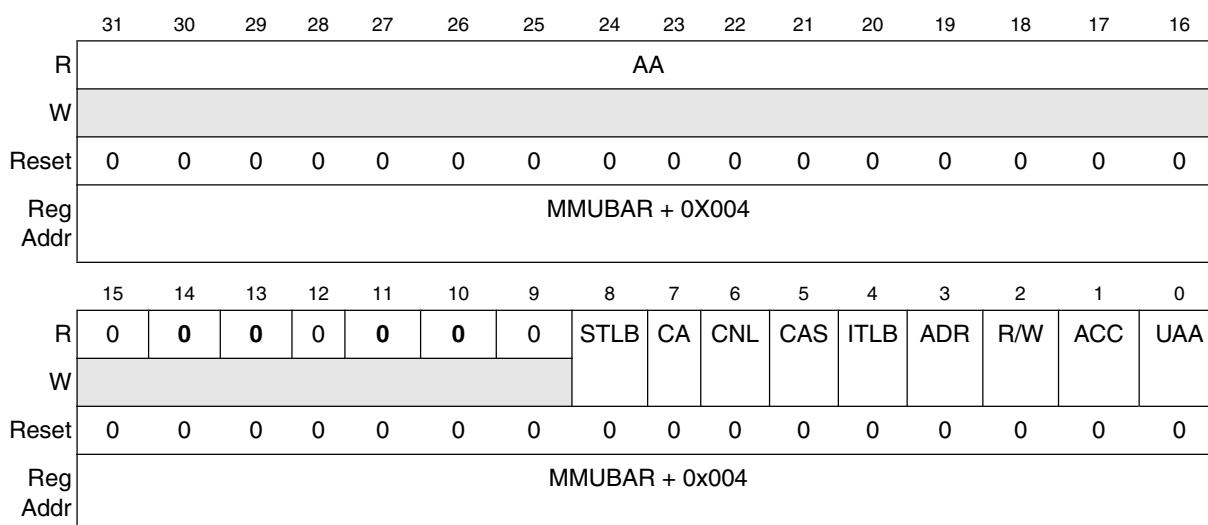


Figure 5-5. MMU Operation Register (MMUOR)

Table 5-6 describes MMUOR fields.

Table 5-6. MMUOR Field Descriptions

Bits	Name	Description
31–16	AA	<p>TLB allocation address. This read-only field is maintained by MMU hardware. Its range and format depend on the TLB implementation (specific TLB size in entries, associativity, and organization). The access TLB function can use AA to read or write the addressed TLB entry. The MMU loads AA on the following three events:</p> <ul style="list-style-type: none"> • On DTLB access errors, it loads the address of the TLB entry that caused the error. • If UAA is set, it loads the address of the TLB entry chosen by the MMU for replacement. • If STLB is set, it uses the data in MMUAR to search the TLB and if the TLB hits, loads the address of the TLB entry that hits, or if the TLB misses, loads the TLB entry chosen by the MMU for replacement. <p>The MMU never picks a locked entry for replacement, and TLB hits of locked entries do not update hardware replacement algorithm information. This is so access error handlers mapped with locked TLB entries do not influence the replacement algorithm. Further, TLB search operations do not update the hardware replacement algorithm information while TLB writes (loads) do update the hardware replacement algorithm information. The algorithm used to choose the allocation address depends on the TLB implementation (such as LRU, round-robin, pseudo-random).</p>
15–9	—	Reserved, should be cleared. Writes are ignored and reads return zeros.
8	STLB	<p>Search TLB. STLB always reads as zero.</p> <p>0 No operation 1 The MMU searches the TLB using data in MMUAR. This operation updates the probe TLB hit bit in the status register plus loads the AA field as described above.</p>
7	CA	<p>Clear all TLB entries. CA always reads as zero.</p> <p>0 No operation 1 Clear all TLB entries and all hardware TLB replacement algorithm information.</p>
6	CNL	<p>Clear all non-locked TLB entries. Setting CNL clears all TLB entries that do not have their locked bit set. CNL always reads as zero.</p> <p>0 No operation 1 Clear all non-locked TLB entries.</p>
5	CAS	<p>Clear all non-locked TLB entries that match ASID. CAS is always reads as a zero.</p> <p>0 No operation 1 Clear all non-locked TLB entries that match ASID register.</p>
4	ITLB	<p>ITLB operation. Used by TLB search and access operations that use the TLB allocation address.</p> <p>0 The MMU uses the DTLB to search or update the allocation address. 1 The MMU uses the ITLB for searches and updates of the allocation address.</p>
3	ADR	<p>TLB address select. Indicates which address to use when accessing the TLB.</p> <p>0 Use the TLB allocation address for the TLB address. 1 Use MMUAR for the TLB address.</p>
2	R/W	<p>TLB access read/write select. Indicates whether to do a read or a write when accessing the TLB.</p> <p>0 Write 1 Read</p>

Table 5-6. MMUOR Field Descriptions (Continued)

Bits	Name	Description
1	ACC	MMU TLB access. This bit always reads as a zero. STLB is used for search operations. 0 No operation. ACC should be a zero to search the TLB. 1 The MMU reads or writes the TLB depending on R/W. For TLB reads, TLB tag and data results are loaded into MMUTR and MMUDR. For TLB writes, the contents of these registers are written to the TLB. The TLB is accessed using the TLB allocation address if ADR is zero or using MMUAR if ADR is set.
0	UAA	Update allocation address. UAA always reads as a zero. 0 No operation 1 MMU updates the allocation address field with the MMU's choice for the allocation address in the ITLB or DTLB depending on the ITLB instruction operation bit.

5.5.3.5 MMU Status Register (MMUSR)

MMUSR, [Figure 5-6](#), is updated on all data access faults and search TLB operations.

	31	30	29	28	27	26	25	24	23	22	21	20	19	18	17	16
R	0	0	0	0	0	0	0	0	0	0	0	0	0	0	0	
W																
Reset	0	0	0	0	0	0	0	0	0	0	0	0	0	0	0	0
Reg Addr	MMUBAR + 0x008															
	15	14	13	12	11	10	9	8	7	6	5	4	3	2	1	0
R	0	0	0	0	0	0	0	0	0	0	SPF	RF	WF	0	HIT	0
W																
Reset	0	0	0	0	0	0	0	0	0	0	0	0	0	0	0	0
Reg Addr	MMUBAR + 0x008															

Figure 5-6. MMU Status Register (MMUSR)

[Table 5-7](#) describes MMUSR fields.

Table 5-7. MMUSR Field Descriptions

Bits	Name	Description
31–6	—	Reserved, should be cleared. Writes are ignored and reads return zeros.
5	SPF	Supervisor protect fault. Indicates if the last data fault was a user mode access that hit in a TLB entry that had its supervisor protect bit set. 0 Last data access fault did not have a supervisor protect fault. 1 Last data access fault had a supervisor protect fault.
4	RF	Read access fault. Indicates if the last data fault was an data read access that hit in a TLB entry that did not have its read bit set. 0 Last data access fault did not have a read protect fault. 1 Last data access fault had a read protect fault.

Table 5-7. MMUSR Field Descriptions (Continued)

Bits	Name	Description
3	WF	Write access fault. Indicates if the last data fault was an data write access that hit in a TLB entry that did not have its write bit set. 0 Last data access fault did not have a write protect fault. 1 Last data access fault had a write protect fault.
2	—	Reserved, should be cleared. Writes are ignored and reads return zeros.
1	HIT	Search TLB hit. Indicates if the last data fault or the last search TLB operation hit in the TLB. 0 Last data access fault or search TLB operation did not hit in the TLB. 1 Last data access fault or search TLB operation hit in the TLB.
0	—	Reserved, should be cleared. Writes are ignored and reads return zeros.

5.5.3.6 MMU Fault, Test, or TLB Address Register (MMUAR)

The MMUAR format, [Figure 5-7](#), depends on how the register is used.

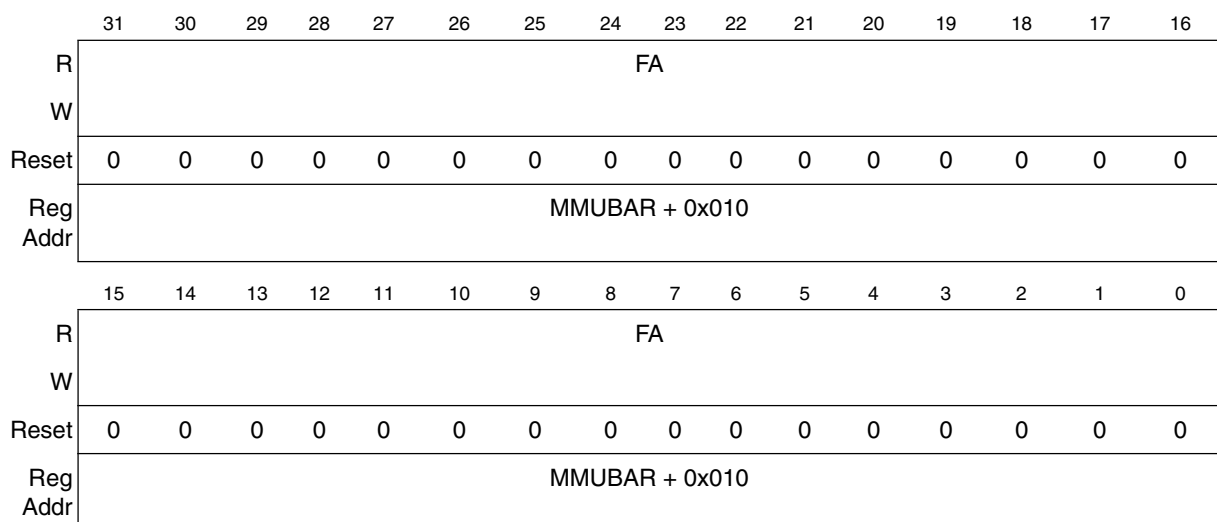


Figure 5-7. MMU Fault, Test, or TLB Address Register (MMUAR)

[Table 5-8](#) describes MMUAR fields.

Table 5-8. MMUAR Field Descriptions

Bits	Name	Description
31–0	FA	Form address. Written by the MMU with the virtual address on DTLB misses and access faults. For this case, all 32 bits are address bits. This register may be written with a virtual address and address attribute information for searching the TLB (MMUCR[STLB]). For this case, FA[31–1] are the virtual page number and FA[0] is the supervisor bit. The current ASID is used for the TLB search. MMUAR can also be written with a TLB address for use with the access TLB function (using MMUCR[ACC]).

5.5.3.7 MMU Read/Write Tag and Data Entry Registers (MMUTR and MMUDR)

Each TLB entry consists of a 32-bit TLB tag entry and a 32-bit TLB data entry. TLB entries are referenced through MMUTR and MMUDR. For read TLB accesses, the contents of the TLB tag and data entries referenced by the allocation address or MMUAR are loaded in MMUTR and MMUDR. TLB write accesses place MMUTR and MMUDR contents into the TLB tag and data entries defined by the allocation address or MMUAR.

MMUTR, [Figure 5-8](#), contains the virtual address tag, the address space ID (ASID), a shared page indicator, and the valid bit.

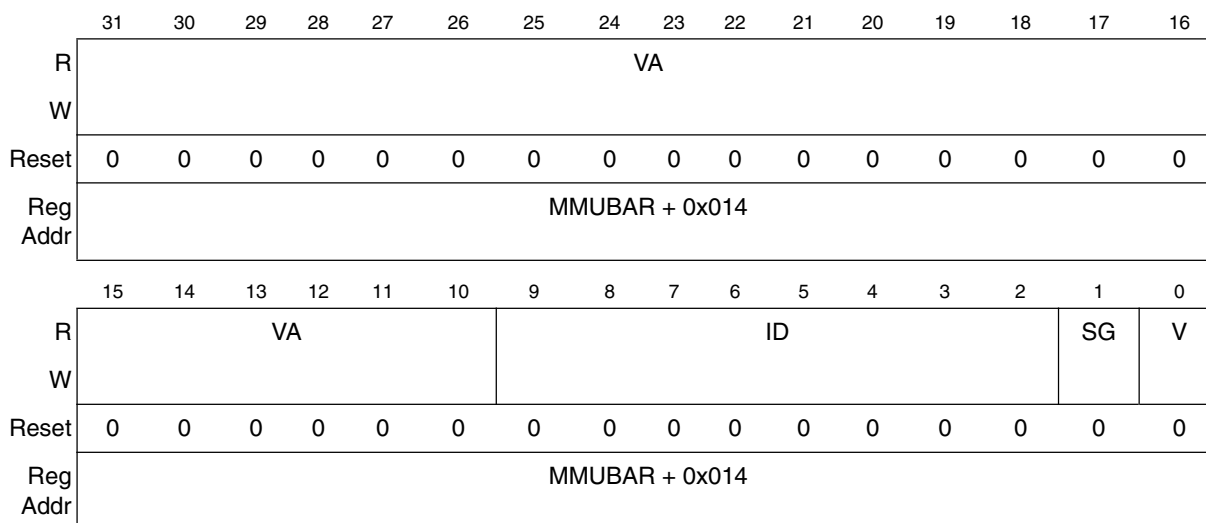


Figure 5-8. MMU Read/Write TLB Tag Register (MMUTR)

[Table 5-9](#) describes MMUTR fields.

Table 5-9. MMUTR Field Descriptions

Bits	Name	Description
31–10	VA	Virtual address. Defines the virtual address mapped by this entry. The number of bits used in the TLB hit determination depends on the page size field in the corresponding TLB data entry.
9–2	ID	Address space ID (ASID). This extension to the virtual address marks this entry as part of 1 of 256 possible address spaces. Address space 0x00 can be reserved for supervisor mode. The other 255 address spaces are used to tag user processes. TLB entry ASID values are compared to the ASID register value for user mode unless the TLB entry is marked shared (SG = 1). The TLB entry ASID value may be compared to 0x00 for supervisor accesses or to the ASID. The description of MMUCR[ASM] in Table 5-5 gives details on supervisor mode and ASID compares.

Table 5-9. MMUTR Field Descriptions (Continued)

Bits	Name	Description
1	SG	Shared global. Indicates when the entry is shared among user address spaces. If an entry is shared, its ASID is not part of the TLB hit determination for user accesses. 0 This entry is not shared globally. 1 This entry is shared globally. Note that the ASID can be used to determine supervisor mode hits to allow two sharing levels. If SG and MMUCR[ASM] are set and the ASID is not zero, all users (but not the supervisor) share an entry. If SG and MMUCR[ASM] are set and the ASID is zero, all users and the supervisor share an entry. The description of ASM in Table 5-5 details supervisor mode and ASID compares.
0	V	Valid. Indicates when the entry is valid. Only valid entries generate a TLB hit. 0 Entry is not valid. 1 Entry is valid.

MMUDR, [Figure 5-9](#), contains the physical address, page size, cache mode field, supervisor-protect bit, read, write, execute permission bits, and lock-entry bit.

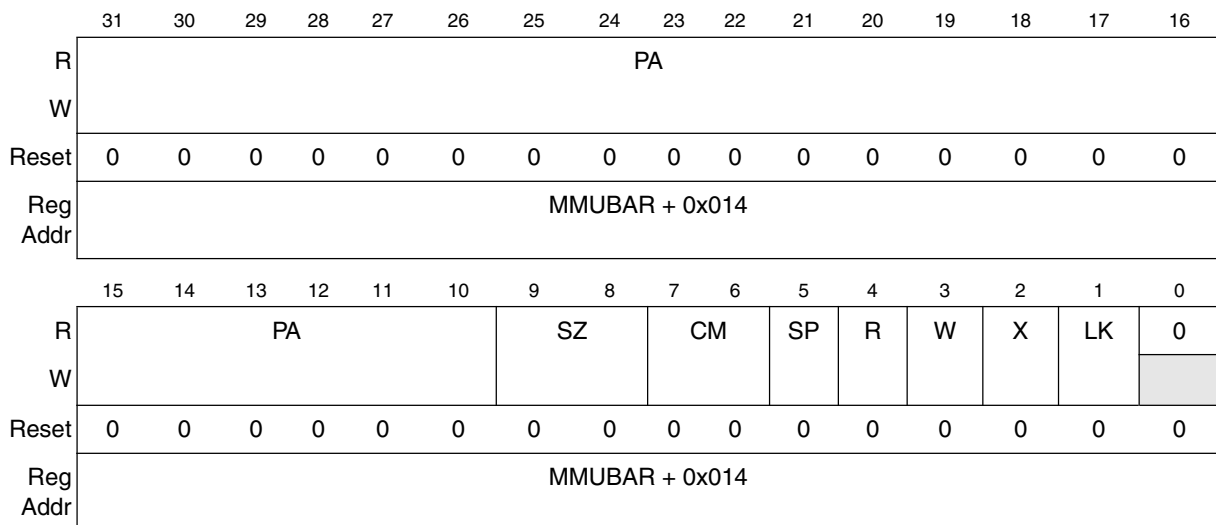


Figure 5-9. MMU Read/Write TLB Data Register (MMUDR)

[Table 5-10](#) describes MMUDR fields.

Table 5-10. MMUDR Field Descriptions

Bits	Name	Descriptions
31–10	PA	Physical address. Defines the physical address which is mapped by this entry. The number of bits used to build the effective physical address if this TLB entry hits depends on the page size field.
9–8	SZ	Page size. Page size for this entry: 00 1 Mbyte: VA[31–20] used for TLB hit 01 4 Kbytes VA[31–12] used for TLB hit 10 8 Kbytes VA[31–13] used for TLB hit 11 1 Kbyte VA[31–10] used for TLB hit

Table 5-10. MMUDR Field Descriptions (Continued)

Bits	Name	Descriptions
7–6	CM	Cache mode. If a Harvard TLB implementation is used, CM0 is a don't care for the ITLB. CM is ignored on writes and always reads as zero for the ITLB. Instruction cache modes: 1x Page is non-cacheable. 0x Page is cacheable. Data cache modes 00 Page is cacheable writethrough. 01 Page is cacheable copyback. 10 Page is non-cacheable precise. 11 Page is non-cacheable imprecise.
5	SP	Supervisor protect. Controls user mode access to the page mapped by this entry. 0 Entry is not supervisor protected. 1 Entry is supervisor protected. An attempted user mode access that matches this entry generates an access error exception.
4	R	Read access enable. Indicates if data read accesses to this entry are allowed. If a Harvard TLB implementation is used, this bit is a don't care for the ITLB. This bit is ignored on writes and always reads as zero for the ITLB. 0 Do not allow data read accesses. Attempted data read accesses that match this entry generate an access error exception. 1 Allow data read accesses.
3	W	Write access enable. Indicates if data write accesses are allowed to this entry. If separate ITLB and DTLBs) are used, W is a don't care for the ITLB. W is ignored on writes and reads as zero for the ITLB. 0 Do not allow data write accesses. Attempted data write accesses that match this entry generate an access error exception. 1 Allow data write accesses.
2	X	Execute access enable. Indicates if instruction fetches to this entry are allowed. If separate ITLB and DTLBs are is used, X is a don't care for the DTLB. X is ignored on writes and reads as zero for the DTLB. 0 Do not allow instruction fetches. Attempted instruction fetches that match this entry cause an access error exception. 1 Allow instruction fetch accesses.
1	LK	Lock entry bit. Indicates if this entry is included in the replacement algorithm. TLB hits of locked entries do not update replacement algorithm information. 0 Include this entry when determining the best entry for a TLB allocation. 1 Do not allow this entry to be selected by the replacement algorithm.
0	—	Reserved, should be cleared. Writes are ignored and reads return zeros.

5.5.4 MMU TLB

Each TLB entry consists of two 32-bit fields. The first is the TLB tag entry, and the second is the TLB data entry. TLB size and organization are implementation dependent. TLB entries can be read and written through MMU registers. TLB contents are unaffected by reset.

5.5.5 MMU Operation

The processor sends instruction fetch requests and data read/write requests to the in the instruction and operand address generation cycles (IAG and OAG). The controller and memories occupy the next two pipeline stages, instruction fetch cycles 1 and 2 (IC1 and IC2) and operand fetch cycles 1 and 2 (OC1 and OC2). For late writes, optional data pipeline stages are added to the controller as well as any writable memories.

Table 5-11 shows the association between memory pipeline stages and the processor's pipeline structures, shown in Figure 5-1.

Table 5-11. Version 4 Memory Pipelines

Memory Pipeline Stage	Instruction Fetch Pipeline	Operand Execution Pipeline
J stage	IAG	OAG
KC1 stage	IC1	OC1
KC2 stage	IC2	OC2
Operand execute stage	n/a	EX
Late-write stage	n/a	DA

Version 4 use the same 2-cycle read pipeline developed for Version 3. Each has 32-bit address and 32-bit read data paths. Version 4 uses synchronous memory elements for all memory control units. To support this, certain control information and all address bits are sent on the at the end of the cycle before the initial bus access cycle (The data has an additional 32-bit write data path). For processor store operations, Version 4 ColdFire uses a late-write strategy, which can require 2 additional data cycles. This strategy yields the pipeline behavior described in Table 5-2.

Table 5-12. Pipeline Cycles

Cycle	Description
J	Control and partial address broadcast (to start synchronous memories)
KC1	Complete address and control broadcast plus MMU information. It is during this cycle that all memory element read operations are performed; that is, memory arrays are accessed.
KC2	Select appropriate memory as source, return data to processor, handle cache misses or hold pipeline as needed.
EX	Optional write stage, pipeline address and control for store operations.
DA	Data available for stores from processor; memory element update occurs in the next cycle.

The contains two independent memory unit access controllers and two independent controllers. Each instruction and data is analyzed to see which, if any, controller is referenced. This information, along with cache mode, store precision, and fault information, is sourced during KC1.

The optional MMU is referenced concurrently with the memory unit access controllers. It has two independent control sections to simultaneously process an instruction and data request. Figure 5-1 shows how the MMU and memory unit access controllers fit in the pipeline. As the diagram shows, core address and attributes are used to access the mapping registers and the MMU. By the middle of the KC1 cycle, the memory address is available along with its corresponding access control.

Figure 5-10 shows more details of the MMU structure. The TLB is accessed at the beginning of the KC1 pipeline stage so the resulting physical address can be sourced to the cache controllers to factor into the cache hit/miss determination. This is required because caches are virtually indexed but physically mapped.

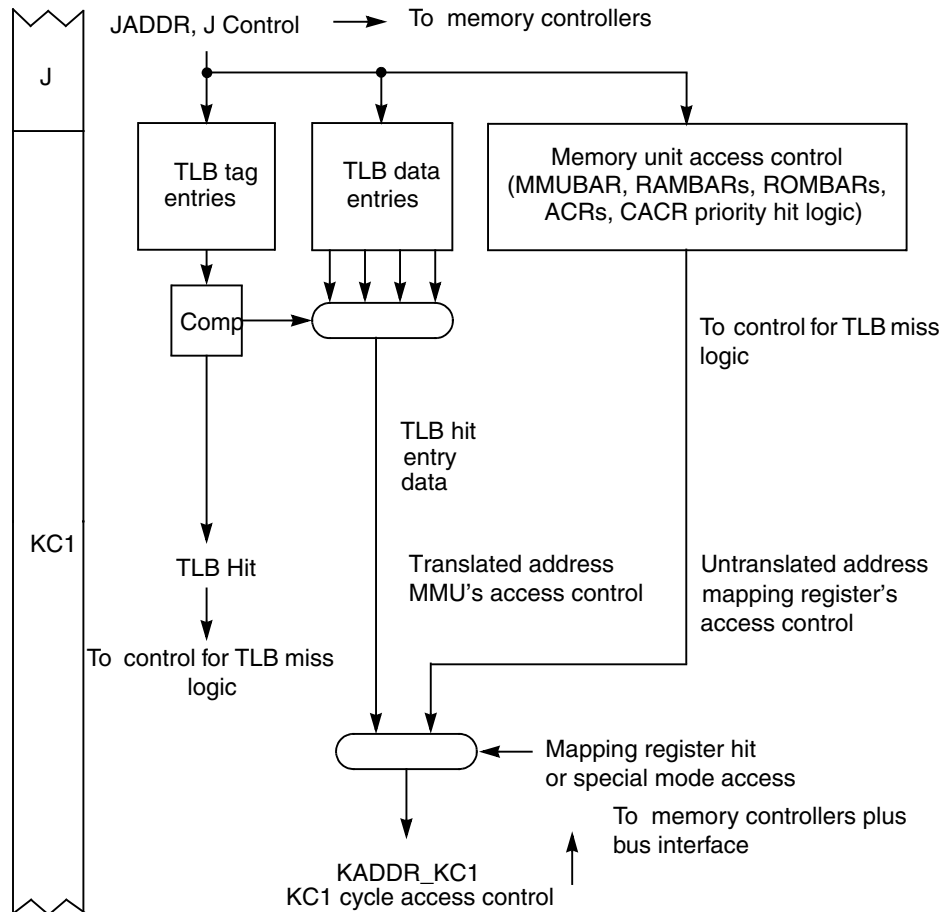


Figure 5-10. Address and Attributes Generation

5.6 MMU Implementation

The MMU implements a 64-entry full-associative Harvard TLB architecture with 32-entry ITLB and DTLB. This section provides more details of this specific TLB implementation. This section details the operation and looks at the size, frequency, miss rate, and miss recovery time of this specific TLB implementation.

5.6.1 TLB Address Fields

Because the TLB has a total of 64 entries (32 each for the ITLB and DTLB), a 6-bit address field is necessary. TLB addresses 0–31 reference the ITLB, and TLB addresses 32–63 reference the DTLB.

In the MMUOR, bits 0 through 5 of the TLB allocation address (AA[5–0]) have this address format for CF4e. The remaining TLB allocation address bits (AA[15–6]) are ignored on updates and always read as zero.

When MMUAR is used for a TLB address, bits FA[5–0] also have this address format for CF4e. The remaining form address bits (FA[31–6]) are ignored when this register is being used for a TLB address.

5.6.2 TLB Replacement Algorithm

The instruction and data TLBs provide low-latency access to recently used instruction and operand translation information. CF4e ITLBs and DTLBs are 32-entry fully associative caches. The 32 ITLB entries are searched on each instruction reference; the 32 DTLB entries are searched on each operand reference.

CF4e TLBs are software controlled. The TLB clear-all function clears valid bits on every TLB entry and resets the replacement logic. A new valid entry is loaded in the TLBs may be designated as locked and unavailable for allocation. TLB hits to locked entries do not update replacement algorithm information.

When a new TLB entry needs to be allocated, the user can specify the exact TLB entry to be updated (through MMUOR[ADR] and MMUAR) or let TLB hardware pick the entry to update based on the replacement algorithm. A pseudo-least-recently used (PLRU) algorithm picks the entry to be replaced on a TLB miss. The algorithm works as follows:

- If any element is empty (non-valid), use the lowest empty element as the allocate entry (that is, entry 0 before 1, 2, 3, and so on).
- If all entries are valid, use the entry indicated by the PLRU as the allocate entry.

The PLRU algorithm uses 31 most-recently used state bits per TLB to track the TLB hit history. [Table 5-13](#) lists these state bits.

Table 5-13. PLRU State Bits

State Bits	Meaning
rdRecent31To16	A one indicates 31To16 is more recent than 15To00
rdRecent31To24	A one indicates 31To24 is more recent than 23To16
rdRecent15To08	A one indicates 15To08 is more recent than 07To00
rdRecent31To28	A one indicates 31To28 is more recent than 27To24
rdRecent23To20	A one indicates 23To20 is more recent than 19To16
rdRecent15To12	A one indicates 15To12 is more recent than 11To08
rdRecent07To04	A one indicates 07To04 is more recent than 03To00
rdRecent31To30	A one indicates 31To30 is more recent than 29To28
rdRecent27To26	A one indicates 27To26 is more recent than 25To24
rdRecent23To22	A one indicates 23To22 is more recent than 21To20
rdRecent19To18	A one indicates 19To18 is more recent than 17To16
rdRecent15To14	A one indicates 15To14 is more recent than 13To12
rdRecent11To10	A one indicates 11To10 is more recent than 09To08
rdRecent07To06	A one indicates 07To06 is more recent than 05To04
rdRecent03To02	A one indicates 03To02 is more recent than 01To00
rdRecent31	A one indicates 31 is more recent than 30
rdRecent29	A one indicates 29 is more recent than 28

Table 5-13. PLRU State Bits (Continued)

State Bits	Meaning
rdRecent27	A one indicates 27 is more recent than 26
rdRecent25	A one indicates 25 is more recent than 24
rdRecent23	A one indicates 23 is more recent than 22
rdRecent21	A one indicates 21 is more recent than 20
rdRecent19	A one indicates 19 is more recent than 18
rdRecent17	A one indicates 17 is more recent than 16
rdRecent15	A one indicates 15 is more recent than 14
rdRecent13	A one indicates 13 is more recent than 12
rdRecent11	A one indicates 11 is more recent than 10
rdRecent09	A one indicates 09 is more recent than 08
rdRecent07	A one indicates 07 is more recent than 06
rdRecent05	A one indicates 05 is more recent than 04
rdRecent03	A one indicates 03 is more recent than 02
rdRecent01	A one indicates 01 is more recent than 00

Binary state bits are updated on all TLB write (load) operations, as well as normal ITLB and DTLB hits of non-locked entries. Also, if all entries in a binary state are locked, then that state is always set. That is, if entries 15, 14, 13, and 12 were locked, LRU state bit rdRecent15To14 is forced to one.

For a completely valid TLB, binary state information determines the LRU entry. The CF4e replacement algorithm is deterministic and, for the case of a full TLB (with no locked entries and always touching new pages), the replacement entry repeats every 32 TLB loads.

5.6.3 TLB Locked Entries

Figure 5-11 is a ColdFire MMU Harvard TLB block diagram.

For TLB miss faults, the instruction restart model completely reexecutes an instruction on returning from the exception handler. An instruction can touch two instruction pages (a 32- or 48-bit instruction can straddle two pages) or four data pages (a memory-to-memory word or longword move where misaligned source and destination operands straddle two pages). Therefore, one instruction may take two ITLB misses and allocate two ITLB pages before completion. Likewise, one instruction may require four DTLB misses and allocate four DTLB pages. Because of this, a pool of unlocked TLB entries must be available if virtual memory is used.

The above examples show the fewest entries needed to guarantee an instruction can complete execution. For good MMU performance, more unlocked TLB entries should be available.

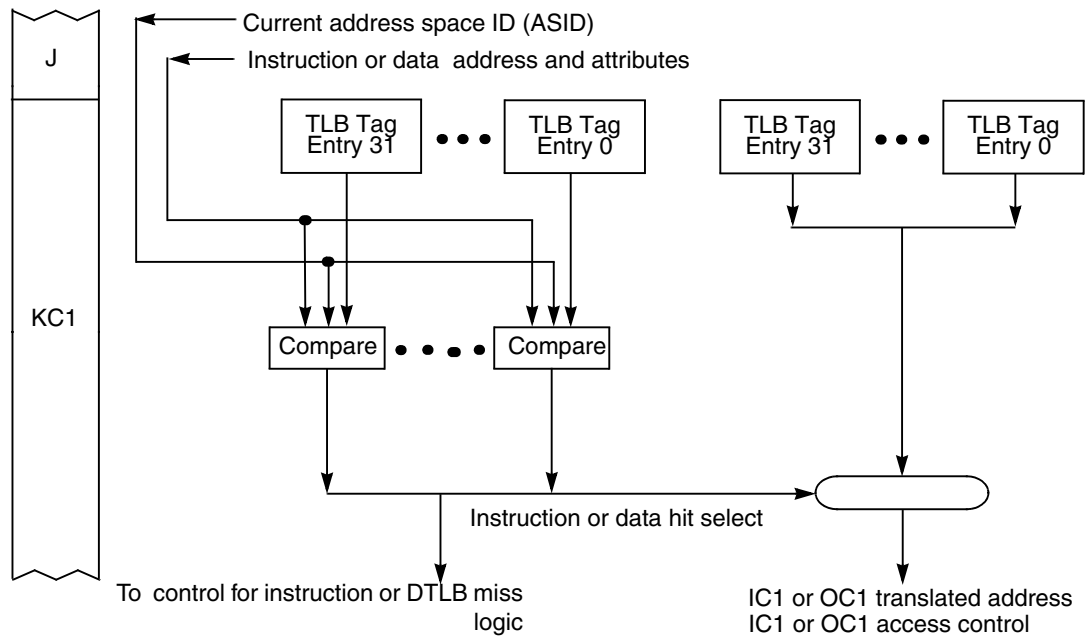


Figure 5-11. Version 4 ColdFire MMU Harvard TLB

5.7 MMU Instructions

The MOVE to USP and MOVE from USP instructions have been added for accessing the USP. Refer to the *ColdFire Programmer's Reference Manual* for more information.

THIS PAGE INTENTIONALLY LEFT BLANK



Chapter 6

Floating-Point Unit (FPU)

6.1 Introduction

This chapter describes instructions implemented in the floating-point unit (FPU) designed for use with the ColdFire family of microprocessors. The FPU conforms to the American National Standards Institute (ANSI)/Institute of Electrical and Electronics Engineers (IEEE) *Standard for Binary Floating-Point Arithmetic* (ANSI/IEEE Standard 754).

The hardware unit is optimized for real-time execution with exceptions disabled and default results provided for specific operations, operands, and number types. The FPU does not support all IEEE-754 number types and operations in hardware. Exceptions can be enabled to support these cases in software.

6.1.1 Overview

The FPU operates on 64-bit, double-precision, floating-point data and supports single-precision and signed integer input operands. The FPU programming model is like that in the MC68060 microprocessor. The FPU is intended to accelerate the performance of certain classes of embedded applications, especially those requiring high-speed floating-point arithmetic computations. See [Section 6.7.3, “Key Differences between ColdFire and M68000 FPU Programming Models.”](#)

The FPU appears as another execute engine at the bottom stages of the operand execution pipeline (OEP), using operands from a dual-ported register file.

Setting bit 4 in the cache control register (CACR[DF]) disables the FPU. If CACR[DF] is cleared, all FPU instructions are issued and executed, otherwise the processor responds with an unimplemented line-F instruction exception (vector 11).

Operating systems often assume user applications are integer-only (to minimize the time required by save context) by setting CACR[DF] at process initiation. If the application includes floating-point instructions, the attempted execution of the first FP instruction generates the unimplemented line-F exception, which signals the kernel that the FPU registers must be included in the context for the application. The application then continues execution with CACR[DF] cleared to enable FPU execution.

6.1.1.1 Notational Conventions

[Table 6-1](#) defines notational conventions used in this chapter.

Table 6-1. Notational Conventions

Symbol	Description
Single- and Double-Precision Operand Operations	
+	Arithmetic addition or postincrement indicator
–	Arithmetic subtraction or predecrement indicator
×	Arithmetic multiplication
÷	Arithmetic division or conjunction symbol
~	Invert, operand is logically complemented. An overbar, $\bar{}$, is also used for this operation.

Table 6-1. Notational Conventions (Continued)

Symbol	Description
&	Logical AND
	Logical OR
→	Source operand is moved to destination operand
<op>	Any double-operand operation
<operand>tested	Operand is compared to zero and the condition codes are set appropriately
sign-extended	All bits of the upper portion are made equal to the high-order bit of the lower portion
Other Operations	
If <condition> then <operations> else <operations>	Test the condition. If true, the operations after then are performed. If the condition is false and the optional else clause is present, the operations after else are performed. If the condition is false and else is omitted, the instruction performs no operation. Refer to the Bcc instruction description as an example.
Register Specifications	
An	Address register n (example: A3 is address register 3)
Ay, Ax	Source and destination address registers, respectively
Dn	Data register n (example: D3 is data register 3)
Dy,Dx	Source and destination data registers, respectively
FPCR	Floating-point control register
FPIAR	Floating-point instruction address register
FPn	Floating-point data register n (example: FP3 is FPU data register 3)
FPSR	Floating-point status register
FPy,FPx	Source and destination floating-point data registers, respectively
PC	Program counter
Rn	Address or data register
Rx	Destination register
Ry	Source register
Xi	Index register

Table 6-2 describes addressing modes and syntax for floating-point instructions.

Table 6-2. Floating-Point Addressing Modes

Addressing Modes	Syntax
Register direct Address register direct Address register direct	Dy Ay
Register indirect Address register indirect Address register indirect with postincrement Address register indirect with predecrement Address register indirect with displacement	(Ay) -(Ay) (d ₁₆ ,Ay)
Program counter indirect with displacement	(d ₁₆ ,PC)

6.2 Operand Data Formats and Types

The FPU supports signed byte, word, and longword integer formats, which are identical to those supported by the integer unit. The FPU also supports single- and double-precision binary floating-point formats that fully comply with the IEEE-754 standard.

6.2.1 Signed-Integer Data Formats

The FPU supports 8-bit byte (B), 16-bit word (W), and 32-bit longword (L) integer data formats.

6.2.2 Floating-Point Data Formats

Figure 6-1 shows the two binary floating-point data formats.

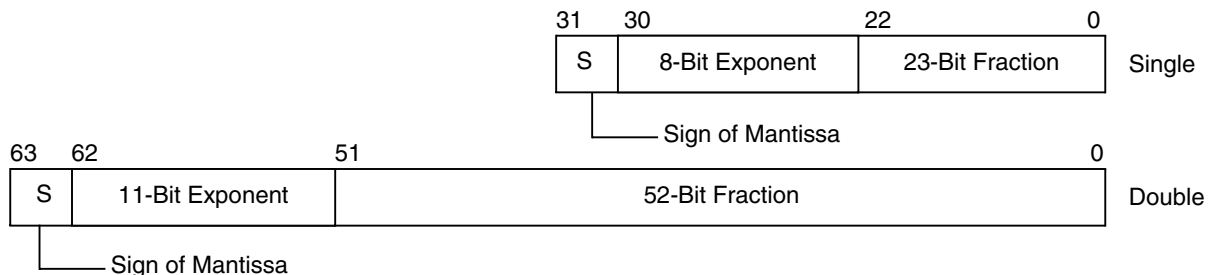


Figure 6-1. Floating-Point Data Formats

Note that, throughout this chapter, a mantissa is defined as the concatenation of an integer bit, the binary point, and a fraction. A fraction is the term designating the bits to the right of the binary point in the mantissa.

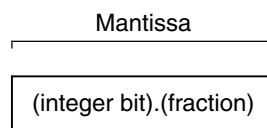


Figure 6-2. Mantissa

The integer bit is implied to be set for normalized numbers and infinities, clear for zeros and denormalized numbers. For not-a-numbers (NaNs), the integer bit is ignored. The exponent in both floating-point formats is an unsigned binary integer with an implied bias added to it. Subtracting the bias from exponent

yields a signed, two's complement power of two. This represents the magnitude of a normalized floating-point number when multiplied by the mantissa.

By definition, a normalized mantissa always takes values starting from 1.0 and going up to, but not including, 2.0; that is, [1.0...2.0).

6.2.3 Floating-Point Data Types

Each floating-point data format supports five unique data types: normalized numbers, zeros, infinities, NaNs, and denormalized numbers. The normalized data type, [Figure 6-3](#), never uses the maximum or minimum exponent value for a given format.

6.2.3.1 Normalized Numbers

Normalized numbers include all positive or negative numbers with exponents between the maximum and minimum values. For single- and double-precision normalized numbers, the implied integer bit is one and the exponent can be zero.

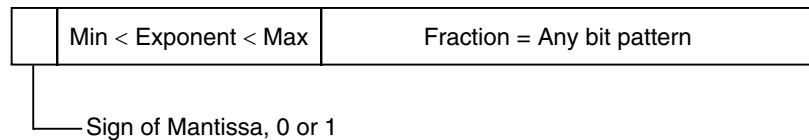


Figure 6-3. Normalized Number Format

6.2.3.2 Zeros

Zeros can be positive or negative and represent real values, + 0.0 and – 0.0. See [Figure 6-4](#).

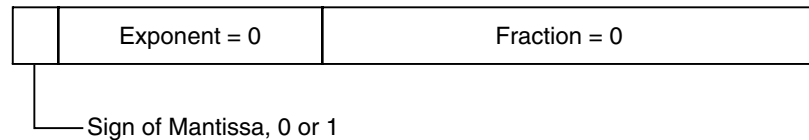


Figure 6-4. Zero Format

6.2.3.3 Infinities

Infinities can be positive or negative and represent real values that exceed the overflow threshold. A result's exponent greater than or equal to the maximum exponent value indicates an overflow for a given data format and operation. This overflow description ignores the effects of rounding and the user-selectable rounding models. For single- and double-precision infinities, the fraction is a zero. See [Figure 6-5](#).

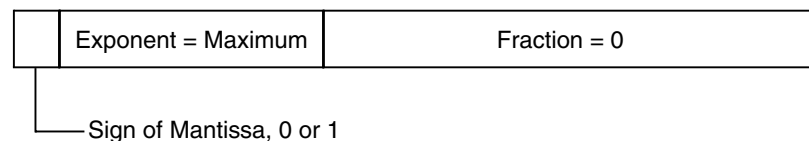


Figure 6-5. Infinity Format

6.2.3.4 Not-A-Number

When created by the FPU, NaNs represent the results of operations having no mathematical interpretation, such as infinity divided by infinity. Operations using a NaN operand as an input return a NaN result. User-created NaNs can protect against uninitialized variables and arrays or can represent user-defined data types. See [Figure 6-6](#).

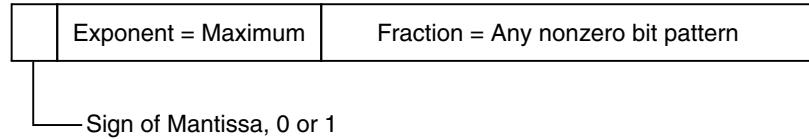


Figure 6-6. Not-a-Number Format

If an input operand to an operation is a NaN, the result is an FPU-created default NaN. When the FPU creates a NaN, the NaN always contains the same bit pattern in the fraction: all fraction bits are ones and the sign bit is zero. When the user creates a NaN, any nonzero bit pattern can be stored in the fraction and the sign bit.

6.2.3.5 Denormalized Numbers

Denormalized numbers represent real values near the underflow threshold. Denormalized numbers can be positive or negative. For denormalized numbers in single- and double-precision, the implied integer bit is a zero. See [Figure 6-7](#).

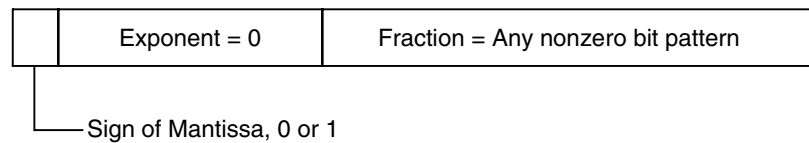


Figure 6-7. Denormalized Number Format

Traditionally, the detection of underflow causes floating-point number systems to perform a flush-to-zero. The IEEE-754 standard implements gradual underflow: the result mantissa is shifted right (denormalized) while the result exponent is incremented until reaching the minimum value. If all the mantissa bits of the result are shifted off to the right during this denormalization, the result becomes zero.

Denormalized numbers are not supported directly in the hardware of this implementation but can be handled in software if needed (software for the input denorm exception could be written to handle denormalized input operands, and software for the underflow exception could create denormalized numbers). If the input denorm exception is disabled, all denormalized numbers are treated as zeros.

[Table 6-3](#) summarizes the data type specifications for byte, word, longword, single- and double-precision data formats.

Table 6-3. Real Format Summary

Parameter	Single-Precision	Double-Precision
Data Format	<div style="text-align: center;"> 31 30 23 22 0 <div style="display: flex; justify-content: space-around; border: 1px solid black; padding: 2px;"> s e f </div> </div>	<div style="text-align: center;"> 63 62 52 51 0 <div style="display: flex; justify-content: space-around; border: 1px solid black; padding: 2px;"> s e f </div> </div>
Field Size in Bits		
Sign (s)	1	1

Table 6-3. Real Format Summary (Continued)

Parameter	Single-Precision	Double-Precision
Biased exponent (e)	8	11
Fraction (f)	23	52
Total	32	64
Interpretation of Sign		
Positive fraction	s = 0	s = 0
Negative fraction	s = 1	s = 1
Normalized Numbers		
Bias of biased exponent	+127 (0x7F)	+1023 (0x3FF)
Range of biased exponent	0 < e < 255 (0xFF)	0 < e < 2047 (0x7FF)
Range of fraction	Zero or Nonzero	Zero or Nonzero
Mantissa	1.f	1.f
Relation to representation of real numbers	$(-1)^s \times 2^{e-127} \times 1.f$	$(-1)^s \times 2^{e-1023} \times 1.f$
Denormalized Numbers		
Biased exponent format minimum	0 (0x00)	0 (0x000)
Bias of biased exponent	+126 (0x7E)	+1022 (0x3FE)
Range of fraction	Nonzero	Nonzero
Mantissa	0.f	0.f
Relation to representation of real numbers	$(-1)^s \times 2^{-126} \times 0.f$	$(-1)^s \times 2^{-1022} \times 0.f$
Signed Zeros		
Biased exponent format minimum	0 (0x00)	0 (0x00)
Mantissa	0.f = 0.0	0.f = 0.0
Signed Infinities		
Biased exponent format maximum	255 (0xFF)	2047 (0x7FF)
Mantissa	0.f = 0.0	0.f = 0.0
NANs		
Sign	Don't Care	0 or 1
Biased exponent format maximum	255 (0xFF)	2047 (0x7FF)
Fraction	Nonzero	Nonzero
Representation of Fraction Nonzero Bit Pattern Created by User Fraction When Created by FPU	xxxxx...xxxx 11111...1111	xxxxx...xxxx 11111...1111
Approximate Ranges		

Table 6-3. Real Format Summary (Continued)

Parameter	Single-Precision	Double-Precision
Maximum Positive Normalized	3.4×10^{38}	1.8×10^{308}
Minimum Positive Normalized	1.2×10^{-38}	2.2×10^{-308}
Minimum Positive Denormalized	1.4×10^{-45}	4.9×10^{-324}

6.3 Register Definition

The programmer's model for the FPU consists of the following:

- Eight 64-bit floating-point data registers (FP0–FP7)
- One 32-bit floating-point control register (FPCR)
- One 32-bit floating-point status register (FPSR)
- One 32-bit floating-point instruction address register (FPIAR)

Figure 6-8 shows the FPU programming model.

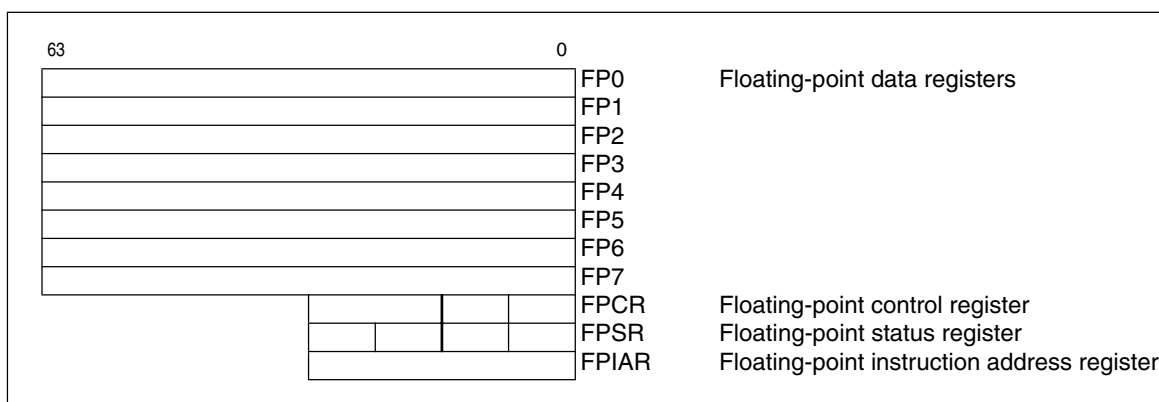


Figure 6-8. Floating-Point Programmer's Model

6.3.1 Floating-Point Data Registers (FP0–FP7)

Floating-point data registers are analogous to the integer data registers for the 68K/ColdFire family. They always contain numbers in double-precision format, even though the operand may be a single-precision value used in a single-precision calculation. All external operands, regardless of the source data format, are converted to double-precision format before being used in any calculation or being stored in a floating-point data register. A reset or a null-restore operation sets FP0–FP7 to positive, nonsignaling NaNs.

6.3.2 Floating-Point Control Register (FPCR)

The FPCR, Figure 6-9, contains an exception enable byte (EE) and a mode control byte (MC). Each EE bit corresponds to a floating-point exception class. The user can separately enable traps for each class of floating-point exceptions. The MC bits control FPU operating modes.

The user can read or write to FPCR using FMOVE or FRESTORE. A processor reset or a restore operation of the null state clears the FPCR. When this register is cleared, the FPU never generates exceptions.

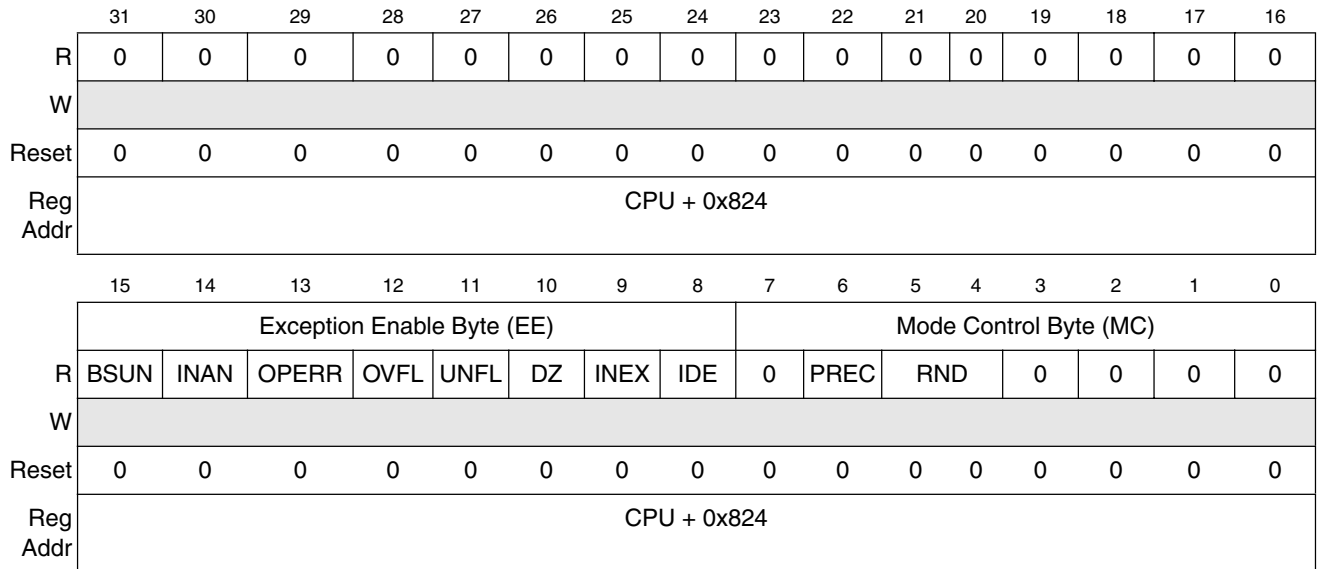


Figure 6-9. Floating-Point Control Register (FPCR)

Table 6-4 describes FPCR fields.

Table 6-4. FPCR Field Descriptions

Bits	Field	Description
31–16	—	Reserved, should be cleared.
15	BSUN	Branch set on unordered
14	INAN	Input not-a-number
13	OPERR	Operand error
12	OVFL	Overflow
11	UNFL	Underflow
10	DZ	Divide by zero
9	INEX	Inexact operation
8	IDE	Input denormalized
7	—	Reserved, should be cleared.
6	PREC	Rounding precision 0 Double (D) 1 Single (S)
5–4	RND	Rounding mode 00 To nearest (RN) 01 To zero (RZ) 10 To minus infinity (RM) 11 To plus infinity (RP)
3–0	—	Reserved, should be cleared.

6.3.3 Floating-Point Status Register (FPSR)

The FPSR, [Figure 6-10](#), contains a floating-point condition code byte (FPCC), a floating-point exception status byte (EXC), and a floating-point accrued exception byte (AEXC). The user can read or write all FPSR bits. Execution of most floating-point instructions modifies FPSR. FPSR is loaded using FMOVE or FRESTORE. A processor reset or a restore operation of the null state clears the FPSR.

The floating-point condition code byte contains 4 condition code bits that are set after completion of all arithmetic instructions involving the floating-point data registers. The floating-point store operation, FMOVEM, and move system control register instructions do not affect the FPCC.

The exception status byte contains a bit for each floating-point exception that might have occurred during the most recent arithmetic instruction or move operation. This byte is cleared at the start of all operations that generate floating-point exceptions (except FBcc only affects BSUN and that only for nonaware tests). Operations that do not generate floating-point exceptions do not clear this byte. An exception handler can use this byte to determine which floating-point exception or exceptions caused a trap. The equations below the table show the comparative relationship between the EXC byte and AEXC byte.

The accrued exception byte contains 5 required bits for IEEE-754 exception-disabled operations. These exceptions are logical combinations of EXC bits. AEXC records all floating-point exceptions since AEXC was last cleared, either by writing to FPSR or as a result of reset or a restore operation of the null state.

Many users disable traps for some or all floating-point exception classes. AEXC eliminates the need to poll EXC after each floating-point instruction. At the end of arithmetic operations, EXC bits are logically combined to form an AEXC value that is logically ORed into the existing AEXC byte (FBcc only updates IOP). This operation creates sticky floating-point exception bits in AEXC that the user can poll only at the end of a series of floating-point operations. A sticky bit is one that remains set until the user clears it.

Setting or clearing AEXC bits neither causes nor prevents an exception. The equations below the table show relationships between EXC and AEXC. Comparing the current value of an AEXC bit with a combination of EXC bits derives a new value in the corresponding AEXC bit. These boolean equations apply to setting AEXC bits at the end of each operation affecting AEXC.

	31	30	29	28	27	26	25	24	23	22	21	20	19	18	17	16
	Floating-Point Condition Code Byte (FPCC)															
R	0	0	0	0	N	Z	I	NAN	0	0	0	0	0	0	0	0
W																
Reset	0	0	0	0	0	0	0	0	0	0	0	0	0	0	0	0
Reg Addr	CPU + 0x822															
	15	14	13	12	11	10	9	8	7	6	5	4	3	2	1	0
	Exception Status Byte (EXC)								Floating-Point Accrued Exception Byte (AEXC)							
R	BSUN	INAN	OPERR	OVFL	UNFL	DZ	INEX	IDE	IOP	OVFL	UNFL	DZ	INEX	0	0	0
W																
Reset	0	0	0	0	0	0	0	0	0	0	0	0	0	0	0	0
Reg Addr	CPU + 0x822															

Figure 6-10. Floating-Point Status Register (FPSR)

Table 6-5 describes FPSR fields.

Table 6-5. FPSR Field Descriptions

Bits	Field	Description
31–28	—	Reserved, should be cleared.
27	N	Negative
26	Z	Zero
25	I	Infinity
24	NAN	Not-a-number
23–16	—	Reserved, should be cleared.
15	BSUN	Branch/set on unordered
14	INAN	Input not-a-number
13	OPERR	Operand error
12	OVFL	Overflow
11	UNFL	Underflow
10	DZ	Divide by zero
9	INEX	Inexact result
8	IDE	Input is denormalized
7	IOP	Invalid operation
6	OVFL	Overflow
5	UNFL	Underflow
4	DZ	Divide by zero
3	INEX	Inexact result
2–0	—	Reserved, should be cleared.

For AEXC[OVFL], AEXC[DZ], and AEXC[INEX], the next value is determined by ORing the current AEXC value with the EXC equivalent, as shown in the following:

- Next AEXC[OVFL] = Current AEXC[OVFL] | EXC[OVFL]
- Next AEXC[DZ] = Current AEXC[DZ] | EXC[DZ]
- Next AEXC[INEX] = Current AEXC[INEX] | EXC[INEX]

For AEXC[IOP] and AEXC[UNFL], the next value is calculated by ORing the current AEXC value with EXC bit combinations, as follows:

- Next AEXC[IOP] = Current AEXC[IOP] | EXC[BSUN | INAN | OPERR]
- Next AEXC[UNFL] = Current AEXC[UNFL] | EXC[UNFL & INEX]

6.3.4 Floating-Point Instruction Address Register (FPIAR)

The ColdFire OEP can execute integer and floating-point instructions simultaneously. As a result, the PC value stacked by the processor in response to a floating-point exception trap may not point to the instruction that caused the exception.

For FPU instructions that can generate exception traps, the 32-bit FPIAR is loaded with the instruction PC address before the FPU begins execution. In case of an FPU exception, the trap handler can use the FPIAR contents to determine the instruction that generated the exception. FMOVE to/from FPCR, FPSR, or FPIAR and FMOVEM instructions cannot generate floating-point exceptions; therefore, they do not modify FPIAR. A reset or a null-restore operation clears FPIAR.

6.4 Floating-Point Computational Accuracy

The FPU performs all floating-point internal operations in double-precision. It supports mixed-mode arithmetic by converting single-precision operands to double-precision values before performing the specified operation. The FPU converts all memory data formats to the double-precision data format and stores the value in a floating-point register or uses it as the source operand for an arithmetic operation. When moving a double-precision floating-point value from a floating-point data register, the FPU can convert the data depending on the destination, as follows:

- Valid data formats for memory destination: B, W, L, S, or D
- Valid data formats for integer data register destinations: B, W, L, or S

Normally if the input operand is a denormalized number, the number must be normalized before an FPU instruction can be executed. A denormalized input operand is converted to zero if the input denorm exception (IDE) is disabled. If IDE is enabled, the floating-point engine traps to allow software action to be taken by the handler.

6.4.1 Intermediate Result

All FPU calculations use an intermediate result. When the FPU performs any operation, the calculation is carried out using double-precision inputs, and the intermediate result is calculated as if to produce infinite precision. After the calculation is complete, any necessary rounding of the intermediate result for the selected precision is performed and the result is stored in the destination.

Figure 6-11 shows the intermediate result format. The intermediate result's exponent for some dyadic operations (for example, multiply and divide) can easily overflow or underflow the 11-bit exponent of the designated floating-point register. To simplify overflow and underflow detection, intermediate results in the FPU maintain a 12-bit two's complement, integer exponent. Detection of an intermediate result overflow or underflow always converts the 12-bit exponent into a 11-bit biased exponent before being stored in a floating-point data register. The FPU internally maintains a 56-bit mantissa for rounding purposes. The mantissa is always rounded to 53 bits (or fewer, depending on the selected rounding precision) before it is stored in a floating-point data register.

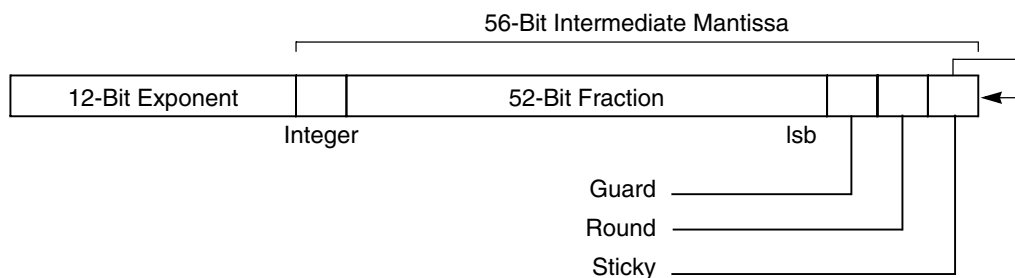


Figure 6-11. Intermediate Result Format

If the destination is a floating-point data register, the result is in double-precision format but may be rounded to single-precision, if required by the rounding precision, before being stored. If the single-precision mode is selected, the exponent value is in the correct range even if it is stored in

double-precision format. If the destination is a memory location or an integer data register, rounding precision is ignored. In this case, a number in the double-precision format is taken from the source floating-point data register, rounded to the destination format precision, and then written to memory or the integer data register.

Depending on the selected rounding mode or destination data format, the location of the lsb of the mantissa and the locations of the guard, round, and sticky bits in the 56-bit intermediate result mantissa vary. Guard and round bits are calculated exactly. The sticky bit creates the illusion of an infinitely wide intermediate result. As the arrow in [Figure 6-11](#) shows, the sticky bit is the logical OR of all bits to the right of the round bit in the infinitely precise result. During calculation, nonzero bits generated to the right of the round bit set the sticky bit. Because of the sticky bit, the rounded intermediate result for all required IEEE arithmetic operations in RN mode can err by no more than one half unit in the last place.

6.4.2 Rounding the Result

The FPU supports the four rounding modes specified by the IEEE-754 standard: round-to-nearest (RN), round-toward-zero (RZ), round-toward-plus-infinity (RP), and round-toward-minus-infinity (RM). The RM and RP modes are often referred to as directed-rounding-modes and are useful in interval arithmetic. Rounding is accomplished through the intermediate result. Single-precision results are rounded to a 24-bit mantissa boundary; double-precision results are rounded to a 53-bit mantissa boundary.

The current floating-point instruction can specify rounding precision, overriding the rounding precision specified in FPCR for the duration of the current instruction. For example, the rounding precision for FADD is determined by FPCR, while the rounding precision for FSADD is single-precision, independent of FPCR.

Range control helps emulate devices that support only single-precision arithmetic by rounding the intermediate result's mantissa to the specified precision and checking that the intermediate exponent is in the representable range of the selected rounding precision. If the intermediate result's exponent exceeds the range, the appropriate underflow or overflow value is stored as the result in the double-precision format exponent. For example, if the data format and rounding mode is single-precision RM and the result of an arithmetic operation overflows the single-precision format, the maximum normalized single-precision value is stored as a double-precision number in the destination floating-point data register; that is, the unbiased 11-bit exponent is 0x0FF and the 52-bit fraction is 0xF_FFFF_E000_0000. If an infinity is the appropriate result for an underflow or overflow, the infinity value for the destination data format is stored as the result; that is, the exponent has the maximum value and the mantissa is zero.

[Figure 6-12](#) shows the algorithm for rounding an intermediate result to the selected rounding precision and destination data format. If the destination is a floating-point register, the rounding boundary is determined by either the selected rounding precision specified by FPCR[PREC] or by the instruction itself. For example, FSADD and FDADD specify single- and double-precision rounding regardless of FPCR[PREC]. If the destination is memory or an integer data register, the destination data format determines the rounding boundary. If the rounded result of an operation is inexact, INEX is set in FPSR[EXC].

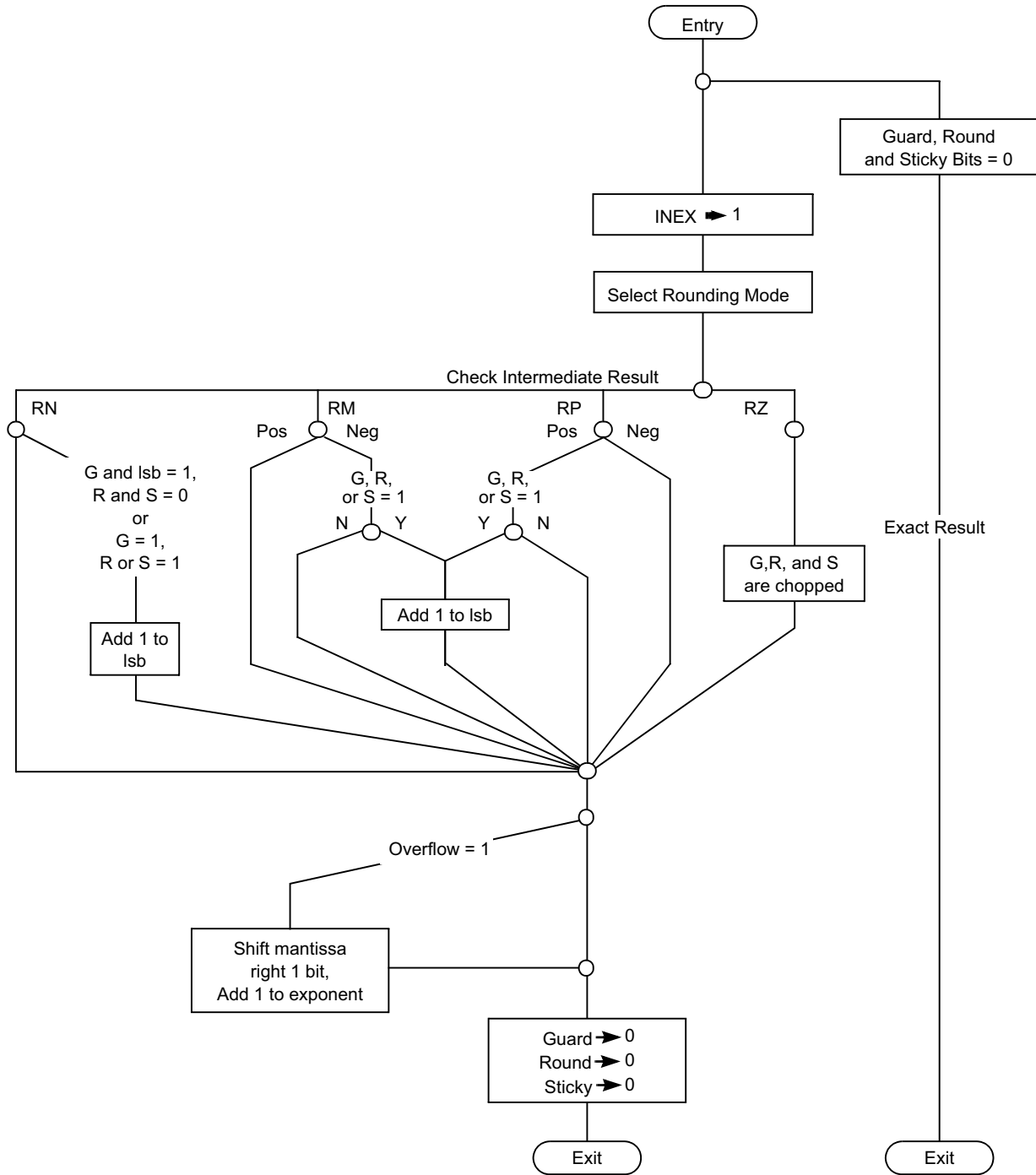


Figure 6-12. Rounding Algorithm Flowchart

The 3 additional bits beyond the double-precision format, the difference between the intermediate result's 56-bit mantissa and the storing result's 53-bit mantissa, allow the FPU to perform all calculations as though it were performing calculations using a compute engine with infinite bit precision. The result is always correct for the specified destination's data format before rounding (unless an overflow or underflow error occurs). The specified rounding produces a number as close as possible to the infinitely

precise intermediate value and still representable in the selected precision. The tie case in Table 6-6 shows how the 56-bit mantissa allows the FPU to meet the error bound of the IEEE specification.

Table 6-6. Tie-Case Example

Result	Integer	52-Bit Fraction	Guard	Round	Sticky
Intermediate	x	xxx...x00	1	0	0
Rounded-to-Nearest	x	xxx...x00	0	0	0

The lsb of the rounded result does not increment even though the guard bit is set in the intermediate result. The IEEE-754 standard specifies this way of handling ties. If the destination data format is double-precision and there is a difference between the infinitely precise intermediate result and the round-to-nearest result, the relative difference is 2^{-53} (the value of the guard bit). This error is equal to half of the lsb's value and is the worst case error that can be introduced with RN mode. Thus, the term one-half unit in the last place correctly identifies the error bound for this operation. This error specification is the relative error present in the result; the absolute error bound is equal to $2^{\text{exponent}} \times 2^{-53}$. Table 6-7 shows the error bound for other rounding modes.

Table 6-7. Round Mode Error Bounds

Result	Integer	52-Bit Fraction	Guard	Round	Sticky
Intermediate	x	xxx...x00	1	1	1
Rounded-to-Zero	x	xxx...x00	0	0	0

The difference between the infinitely precise result and the rounded result is $2^{-53} + 2^{-54} + 2^{-55}$, which is slightly less than 2^{-52} (the value of the lsb). Thus, the error bound for this operation is not more than one unit in the last place. The FPU meets these error bounds for all arithmetic operations, providing accurate, repeatable results.

6.5 Floating-Point Post-Processing

Most operations end with post-processing, for which the FPU provides two steps. First, FPSR[FPCC] bits are set or cleared at the end of each arithmetic or move operation to a single floating-point data register. FPCC bits are consistently set based on the result of the operation. Second, the FPU supports 32 conditional tests that allow floating-point conditional instructions to test floating-point conditions in the same way that integer conditional instructions test the integer condition code. The combination of consistently set FPCC bits and the simple programming of conditional instructions gives the processor a highly flexible, efficient way to change program flow based on floating-point results. When the summary for each instruction is read, it should be assumed that an instruction performs post processing, unless the summary specifically states otherwise. The following paragraphs describe post processing in detail.

6.5.1 Underflow, Round, Overflow

During calculation of an arithmetic result, the FPU has more precision and range than the 64-bit double-precision format. However, the final result is a double-precision value. In some cases, an intermediate result becomes either smaller or larger than can be represented in double-precision. Also, the operation can generate a larger exponent or more bits of precision than can be represented in the chosen rounding precision. For these reasons, every arithmetic instruction ends by checking for underflow, rounding the result and checking for overflow.

At the completion of an arithmetic operation, the intermediate result is checked to see if it is too small to be represented as a normalized number in the selected precision. If so, the underflow (UNFL) bit is set in FPSR[EXC]. If no underflow occurs, the intermediate result is rounded according to the user-selected rounding precision and mode. After rounding, the inexact bit (INEX) is set as described in Figure 6-12. Lastly, the magnitude of the result is checked to see if it exceeds the current rounding precision. If so, the overflow (OVFL) bit is set, and a correctly signed infinity or correctly signed largest normalized number is returned, depending on the rounding mode.

NOTE

INEX can also be set by OVFL, UNFL, and when denormalized numbers are encountered.

6.5.2 Conditional Testing

Unlike operation-dependent integer condition codes, an instruction either always sets FPCC bits in the same way or does not change them at all. Therefore, instruction descriptions do not include FPCC settings. This section describes how FPCC bits are set.

FPCC bits differ slightly from integer condition codes. An FPU operation's final result sets or clears FPCC bits accordingly, independent of the operation itself. Integer condition code bits N and Z have this characteristic, but V and C are set differently for different instructions. Table 6-8 lists FPCC settings for each data type. Loading FPCC with another combination and executing a conditional instruction can produce an unexpected branch condition.

Table 6-8. FPCC Encodings

Data Type	N	Z	I	NAN
+ Normalized or Denormalized	0	0	0	0
– Normalized or Denormalized	1	0	0	0
+ 0	0	1	0	0
– 0	1	1	0	0
+ Infinity	0	0	1	0
– Infinity	1	0	1	0
+ NAN	0	0	0	1
– NAN	1	0	0	1

The inclusion of the NAN data type in the IEEE floating-point number system requires each conditional test to include FPCC[NAN] in its boolean equation. Because it cannot be determined whether a NAN is bigger or smaller than an in-range number (since it is unordered), the compare instruction sets FPCC[NAN] when an unordered compare is attempted. All arithmetic instructions that result in a NAN also set the NAN bit. Conditional instructions interpret NAN being set as the unordered condition.

The IEEE-754 standard defines the following four conditions:

- Equal to (EQ)
- Greater than (GT)
- Less than (LT)
- Unordered (UN)

The standard requires only the generation of the condition codes as a result of a floating-point compare operation. The FPU can test for these conditions and 28 others at the end of any operation affecting condition codes. For floating-point conditional branch instructions, the processor logically combines the 4 bits of the FPCC condition codes to form 32 conditional tests, 16 of which cause an exception if an unordered condition is present when the conditional test is attempted (IEEE nonaware tests). The other 16 do not cause an exception (IEEE-aware tests). The set of IEEE nonaware tests is best used in one of the following cases:

- When porting a program from a system that does not support the IEEE standard to a conforming system
- When generating high-level language code that does not support IEEE floating-point concepts (that is, the unordered condition).

An unordered condition occurs when one or both of the operands in a floating-point compare operation is a NAN. The inclusion of the unordered condition in floating-point branches destroys the familiar trichotomy relationship (greater than, equal, less than) that exists for integers. For example, the opposite of floating-point branch greater than (FBGT) is not floating-point branch less than or equal (FBLE). Rather, the opposite condition is floating-point branch not greater than (FBNGT). If the result of the previous instruction was unordered, FBNGT is true, whereas both FBGT and FBLE would be false because unordered fails both of these tests (and sets BSUN). Compiler code generators should be particularly careful of the lack of trichotomy in the floating-point branches, because it is common for compilers to invert the sense of conditions.

When using the IEEE nonaware tests, the user receives a BSUN exception if a branch is attempted and FPCC[NAN] is set, unless the branch is an FBEQ or an FBNE. If the BSUN exception is enabled in FPCR, the exception takes a BSUN trap. Therefore, the IEEE nonaware program is interrupted if an unexpected condition occurs. Users knowledgeable of the IEEE-754 standard should use IEEE-aware tests in programs that contain ordered and unordered conditions. Because the ordered or unordered attribute is explicitly included in the conditional test, EXC[BSUN] is not set when the unordered condition occurs. [Table 6-9](#) summarizes conditional mnemonics, definitions, equations, predicates, and whether EXC[BSUN] is set for the 32 floating-point conditional tests. The equation column lists FPCC bit combinations for each test in the form of an equation. Condition codes with an overbar indicate cleared bits; all other bits are set.

Table 6-9. Floating-Point Conditional Tests

Mnemonic	Definition	Equation	Predicate ¹	EXC[BSUN] Set
IEEE Nonaware Tests				
EQ	Equal	Z	000001	No
NE	Not equal	\bar{Z}	001110	No
GT	Greater than	$\overline{NAN \mid Z \mid \bar{N}}$	010010	Yes
NGT	Not greater than	$NAN \mid Z \mid N$	011101	Yes
GE	Greater than or equal	$Z \mid (\overline{NAN \mid N})$	010011	Yes
NGE	Not greater than or equal	$NAN \mid (N \ \& \ \bar{Z})$	011100	Yes
LT	Less than	$N \ \& \ (\overline{NAN \mid \bar{Z}})$	010100	Yes
NLT	Not less than	$NAN \mid (Z \mid \bar{N})$	011011	Yes
LE	Less than or equal	$Z \mid (N \ \& \ \overline{NAN})$	010101	Yes
NLE	Not less than or equal	$NAN \mid (\bar{N} \mid \bar{Z})$	011010	Yes

Table 6-9. Floating-Point Conditional Tests (Continued)

Mnemonic	Definition	Equation	Predicate ¹	EXC[BSUN] Set
GL	Greater or less than	$\overline{NAN} \overline{Z}$	010110	Yes
NGL	Not greater or less than	$NAN Z$	011001	Yes
GLE	Greater, less or equal	\overline{NAN}	010111	Yes
NGLE	Not greater, less or equal	NAN	011000	Yes
IEEE-Aware Tests				
EQ	Equal	Z	000001	No
NE	Not equal	\overline{Z}	001110	No
OGT	Ordered greater than	$\overline{NAN} Z \overline{N}$	000010	No
ULE	Unordered or less or equal	$NAN Z N$	001101	No
OGE	Ordered greater than or equal	$Z (\overline{NAN} \overline{N})$	000011	No
ULT	Unordered or less than	$NAN (N \& \overline{Z})$	001100	No
OLT	Ordered less than	$N \& (\overline{NAN} \overline{Z})$	000100	No
UGE	Unordered or greater or equal	$NAN (Z \overline{N})$	001011	No
OLE	Ordered less than or equal	$Z (N \& \overline{NAN})$	000101	No
UGT	Unordered or greater than	$NAN (\overline{N} \overline{Z})$	001010	No
OGL	Ordered greater or less than	$\overline{NAN} \overline{Z}$	000110	No
UEQ	Unordered or equal	$NAN Z$	001001	No
OR	Ordered	\overline{NAN}	000111	No
UN	Unordered	NAN	001000	No
Miscellaneous Tests				
F	False	False	000000	No
T	True	True	001111	No
SF	Signaling false	False	010000	Yes
ST	Signaling true	True	011111	Yes
SEQ	Signaling equal	Z	010001	Yes
SNE	Signaling not equal	\overline{Z}	011110	Yes

¹ This column refers to the value in the instruction's conditional predicate field that specifies this test.

6.6 Floating-Point Exceptions

This section describes floating-point exceptions and how they are handled. Table 6-10 lists the vector numbers related to floating-point exceptions. If the exception is taken pre-instruction, the PC contains the address of the next floating-point instruction (nextFP). If the exception is taken post-instruction, the PC contains the address of the faulting instruction (fault).

Table 6-10. Floating-Point Exception Vectors

Vector Number	Vector Offset	Program Counter	Assignment
48	0x0C0	Fault	Floating-point branch/set on unordered condition
49	0x0C4	NextFP or Fault	Floating-point inexact result
50	0x0C8	NextFP	Floating-point divide-by-zero
51	0x0CC	NextFP or Fault	Floating-point underflow
52	0x0D0	NextFP or Fault	Floating-point operand error
53	0x0D4	NextFP or Fault	Floating-point overflow
54	0x0D8	NextFP or Fault	Floating-point input NAN
55	0x0DC	NextFP or Fault	Floating-point input denormalized number

In addition to these vectors, attempting to execute a FRESTORE instruction with a unsupported frame value generates a format error exception (vector 14). See the FRESTORE instruction in the *ColdFire Programmer's Reference Manual*.

Attempting to execute an FPU instruction with an undefined or unsupported value in the 6-bit effective address, the 3-bit source/destination specifier, or the 7-bit opcode generates a line-F emulator exception, vector 11. See [Table 6-23](#).

6.6.1 Floating-Point Arithmetic Exceptions

This section describes floating-point arithmetic exceptions; [Table 6-11](#) lists these exceptions in order of priority:

Table 6-11. Exception Priorities

Priority	Exception
1	Branch/set on unordered (BSUN)
2	Input Not-a-Number (INAN)
3	Input denormalized number (IDE)
4	Operand error (OPERR)
5	Overflow (OVFL)
6	Underflow (UNFL)
7	Divide-by-zero (DZ)
8	Inexact (INEX)

Most floating-point exceptions are taken when the next floating-point arithmetic instruction is encountered (this is called a pre-instruction exception). Exceptions set during a floating-point store to memory or to an integer register are taken immediately (post-instruction exception).

Note that FMOVE is considered an arithmetic instruction because the result is rounded. Only FMOVE with any destination other than a floating-point register (sometimes called FMOVE OUT) can generate post-instruction exceptions. Post-instruction exceptions never write the destination. After a post-instruction exception, processing continues with the next instruction.

A floating-point arithmetic exception becomes pending when the result of a floating-point instruction sets an FPSR[EXC] bit and the corresponding FPCR[ENABLE] bit is set. A user write to the FPSR or FPCR that causes the setting of an exception bit in FPSR[EXC] along with its corresponding exception enabled in FPCR, leaves the FPU in an exception-pending state. The corresponding exception is taken at the start of the next arithmetic instruction as a pre-instruction exception.

Executing a single instruction can generate multiple exceptions. When multiple exceptions occur with exceptions enabled for more than one exception class, the highest priority exception is reported and taken. It is up to the exception handler to check for multiple exceptions. The following multiple exceptions are possible:

- Operand error (OPERR) and inexact result (INEX)
- Overflow (OVFL) and inexact result (INEX)
- Underflow (UNFL) and inexact result (INEX)
- Divide-by-zero (DZ) and inexact result (INEX)
- Input denormalized number (IDE) and inexact result (INEX)
- Input not-a-number (INAN) and input denormalized number (IDE)

In general, all exceptions behave similarly. If the exception is disabled when the exception condition exists, no exception is taken, a default result is written to the destination (except for BSUN exception, which has no destination), and execution proceeds normally.

If an enabled exception occurs, the same default result above is written for pre-instruction exceptions but no result is written for post-instruction exceptions.

An exception handler is expected to execute FSAVE as its first floating-point instruction. This also clears FPCR, which keeps exceptions from occurring during the handler. Because the destination is overwritten for floating-point register destinations, the original floating-point destination register value is available for the handler on the FSAVE state frame. The address of the instruction that caused the exception is available in the FPIAR. When the handler is done, it should clear the appropriate FPSR exception bit on the FSAVE state frame, then execute FRESTORE. If the exception status bit is not cleared on the state frame, the same exception occurs again.

Alternatively, instead of executing FSAVE, an exception handler could simply clear appropriate FPSR exception bits, optionally alter FPCR, and then return from the exception. Note that exceptions are never taken on FMOVE to or from the status and control registers and FMOVEM to or from the floating-point data registers.

At the completion of the exception handler, the RTE instruction must be executed to return to normal instruction flow.

6.6.1.1 Branch/Set on Unordered (BSUN)

A BSUN results from performing an IEEE nonaware conditional test associated with the FBcc instruction when an unordered condition is present. Any pending floating-point exception is first handled by a pre-instruction exception, after which the conditional instruction restarts. The conditional predicate is evaluated and checked for a BSUN exception before executing the conditional instruction. A BSUN exception occurs if the conditional predicate is an IEEE non-aware branch and FPCC[NAN] is set. When this condition is detected, FPSR[BSUN] is set.

Table 6-12. BSUN Exception Enabled/Disabled Results

Condition	BSUN	Description
Exception disabled	0	The floating-point condition is evaluated as if it were the equivalent IEEE-aware conditional predicate. No exceptions are taken.
Exception Enabled	1	The processor takes a floating-point pre-instruction exception. The BSUN exception is unique in that the exception is taken before the conditional predicate is evaluated. If the user BSUN exception handler fails to update the PC to the instruction after the excepting instruction when returning, the exception executes again. Any of the following actions prevent taking the exception again: <ul style="list-style-type: none"> • Clearing FPSR[NAN] • Disabling FPCR[BSUN] • Incrementing the stored PC in the stack bypasses the conditional instruction. This applies to situations where fall-through is desired. Note that to accurately calculate the PC increment requires knowledge of the size of the bypassed conditional instruction.

6.6.1.2 Input Not-A-Number (INAN)

The INAN exception is a mechanism for handling a user-defined, non-IEEE data type. If either input operand is a NAN, FPSR[INAN] is set. By enabling this exception, the user can override the default action taken for NAN operands. Because FMOVEM, FMOVE FPCR, and FSAVE instructions do not modify status bits, they cannot generate exceptions. Therefore, these instructions are useful for manipulating INANs. See [Table 6-13](#).

Table 6-13. INAN Exception Enabled/Disabled Results

Condition	INAN	Description
Exception disabled	0	If the destination data format is single- or double-precision, a NAN is generated with a mantissa of all ones and a sign of zero transferred to the destination. If the destination data format is B, W, or L, a constant of all ones is written to the destination.
Exception enabled	1	The result written to the destination is the same as the exception disabled case unless the exception occurs on a FMOVE OUT, in which case the destination is unaffected.

6.6.1.3 Input Denormalized Number (IDE)

The input denorm bit, FPCR[IDE], provides software support for denormalized operands. When the IDE exception is disabled, the operand is treated as zero, FPSR[INEX] is set, and the operation proceeds. When the IDE exception is enabled and an operand is denormalized, an IDE exception is taken, but FPSR[INEX] is not set to allow the handler to set it appropriately. See [Table 6-14](#).

Note that the FPU never generates denormalized numbers. If necessary, software can create them in the underflow exception handler.

Table 6-14. IDE Exception Enabled/Disabled Results

Condition	IDE	Description
Exception disabled	0	Any denormalized operand is treated as zero, FPSR[INEX] is set, and the operation proceeds.
Exception enabled	1	The result written to the destination is the same as the exception disabled case unless the exception occurs on a FMOVE OUT, in which case the destination is unaffected. FPSR[INEX] is not set to allow the handler to set it appropriately.

6.6.1.4 Operand Error (OPERR)

The operand error exception encompasses problems arising in a variety of operations, including errors too infrequent or trivial to merit a specific exception condition. Basically, an operand error occurs when an operation has no mathematical interpretation for the given operands. Table 6-15 lists possible operand errors. When one occurs, FPSR[OPERR] is set.

Table 6-15. Possible Operand Errors

Instruction	Condition Causing Operand Error
FADD	$[(+\infty) + (-\infty)]$ or $[(-\infty) + (+\infty)]$
FDIV	$(0 \div 0)$ or $(\infty \div \infty)$
FMOVE OUT (to B, W, or L)	Integer overflow, source is NAN or $\pm\infty$
FMUL	One operand is 0 and the other is $\pm\infty$
FSQRT	Source is < 0 or $-\infty$
FSUB	$[(+\infty) - (+\infty)]$ or $[(-\infty) - (-\infty)]$

Table 6-16 describes results when the exception is enabled and disabled.

Table 6-16. OPERR Exception Enabled/Disabled Results

Condition	OPERR	Description
Exception disabled	0	When the destination is a floating-point data register, the result is a double-precision NAN, with its mantissa set to all ones and the sign set to zero (positive). For a FMOVE OUT instruction with the format S or D, an OPERR exception is impossible. With the format B, W, or L, an OPERR exception is possible only on a conversion to integer overflow, or if the source is either an infinity or a NAN. On integer overflow and infinity source cases, the largest positive or negative integer that can fit in the specified destination size (B, W, or L) is stored. In the NAN source case, a constant of all ones is written to the destination.
Exception enabled	1	The result written to the destination is the same as for the exception disabled case unless the exception occurred on a FMOVE OUT, in which case the destination is unaffected. If desired, the user OPERR handler can overwrite the default result.

6.6.1.5 Overflow (OVFL)

An overflow exception is detected for arithmetic operations in which the destination is a floating-point data register or memory when the intermediate result's exponent is greater than or equal to the maximum exponent value of the selected rounding precision. Overflow occurs only when the destination is S- or D-precision format; overflows for other formats are handled as operand errors. At the end of any operation that could potentially overflow, the intermediate result is checked for underflow, rounded, and then checked for overflow before it is stored to the destination. If overflow occurs, FPSR[OVFL,INEX] are set.

Even if the intermediate result is small enough to be represented as a double-precision number, an overflow can occur if the magnitude of the intermediate result exceeds the range of the selected rounding precision format. See Table 6-17.

Table 6-17. OVFL Exception Enabled/Disabled Results

Condition	OVFL	Description
Exception disabled	0	The values stored in the destination based on the rounding mode defined in FPCR[MODE]. RN Infinity, with the sign of the intermediate result. RZ Largest magnitude number, with the sign of the intermediate result. RM For positive overflow, largest positive normalized number For negative overflow, $-\infty$. RP For positive overflow, $+\infty$ For negative overflow, largest negative normalized number.
Exception enabled	1	The result written to the destination is the same as for the exception disabled case unless the exception occurred on a FMOVE OUT, in which case the destination is unaffected. If desired, the user OVFL handler can overwrite the default result.

6.6.1.6 Underflow (UNFL)

An underflow exception occurs when the intermediate result of an arithmetic instruction is too small to be represented as a normalized number in a floating-point register or memory using the selected rounding precision; that is, when the intermediate result exponent is less than or equal to the minimum exponent value of the selected rounding precision. Underflow can only occur when the destination format is single or double precision. When the destination is byte, word, or longword, the conversion underflows to zero without causing an underflow or an operand error. At the end of any operation that could underflow, the intermediate result is checked for underflow, rounded, and checked for overflow before it is stored in the destination. FPSR[UNFL] is set if underflow occurs. If the underflow exception is disabled, FPSR[INEX] is also set.

Even if the intermediate result is large enough to be represented as a double-precision number, an underflow can occur if the magnitude of the intermediate result is too small to be represented in the selected rounding precision. [Table 6-18](#) shows results when the exception is enabled or disabled.

Table 6-18. UNFL Exception Enabled/Disabled Results

Condition	UNFL	Description
Exception disabled	0	The stored result is defined below. The UNFL exception also sets FPSR[INEX] if the UNFL exception is disabled. RN Zero, with the sign of the intermediate result. RZ Zero, with the sign of the intermediate result. RM For positive underflow, + 0 For negative underflow, smallest negative normalized number. RP For positive underflow, smallest positive normalized number For negative underflow, - 0
Exception enabled	1	The result written to the destination is the same as for the exception disabled case unless the exception occurs on a FMOVE OUT, in which case the destination is unaffected. If desired, the user UNFL handler can overwrite the default result. The UNFL exception does not set FPSR[INEX] if the UNFL exception is enabled so the exception handler can set FPSR[INEX] based on results it generates.

6.6.1.7 Divide-by-Zero (DZ)

Attempting to use a zero divisor for a divide instruction causes a divide-by-zero exception. When a divide-by-zero is detected, FPSR[DZ] is set. [Table 6-19](#) shows results when the exception is enabled or disabled.

Table 6-19. DZ Exception Enabled/Disabled Results

Condition	DZ	Description
Exception disabled	0	The destination floating-point data register is written with infinity with the sign set to the exclusive OR of the signs of the input operands.
Exception enabled	1	The destination floating-point data register is written as in the exception is disabled case.

6.6.1.8 Inexact Result (INEX)

An INEX exception condition exists when the infinitely precise mantissa of a floating-point intermediate result has more significant bits than can be represented exactly in the selected rounding precision or in the destination format. If this condition occurs, FPSR[INEX] is set and the infinitely-precise result is rounded according to [Table 6-20](#).

Table 6-20. Inexact Rounding Mode Values

Mode	Result
RN	The representable value nearest the infinitely-precise intermediate value is the result. If the two nearest representable values are equally near, the one whose lsb is 0 (even) is the result. This is sometimes called round-to-nearest-even.
RZ	The result is the value closest to and no greater in magnitude than the infinitely-precise intermediate result. This is sometimes called chop-mode, because the effect is to clear bits to the right of the rounding point.
RM	The result is the value closest to and no greater than the infinitely-precise intermediate result (possibly -x).
RP	The result is the value closest to and no less than the infinitely-precise intermediate result (possibly +x).

FPSR[INEX] is also set for any of the following conditions:

- If an input operand is a denormalized number and the IDE exception is disabled
- An overflowed result
- An underflowed result with the underflow exception disabled

[Table 6-18](#) shows results when the exception is enabled or disabled.

Table 6-21. INEX Exception Enabled/Disabled Results

Condition	INEX	Description
Exception disabled	0	The result is rounded and then written to the destination.
Exception enabled	1	The result written to the destination is the same as for the exception disabled case unless the exception occurred on a FMOVE OUT, in which case the destination is unaffected. If desired, the user INEX handler can overwrite the default result.

6.6.2 Floating-Point State Frames

Floating-point arithmetic exception handlers should have FSAVE as the first floating-point instruction; otherwise, encountering another floating-point arithmetic instruction will cause the exception to be reported again. After FSAVE executes, the handler should use FMOVEM to access floating-point data registers, because it cannot generate further exceptions or change the FPSR.

Note that if no intervention is needed, instead of FSAVE, the handler can simply clear the appropriate FPCR and FPSR bits and then return from the exception.

Because the FPCR and FPSR are written in the FSAVE frame, a context switch needs only execute FSAVE and FMOVEM for data registers. The new process needs to load data registers by using a FMOVEM/FRESTORE sequence before it can continue.

FSAVE operations always write a 4-longword floating-point state frame that holds a 64-bit exception operand. Figure 6-13 shows FSAVE frame contents.

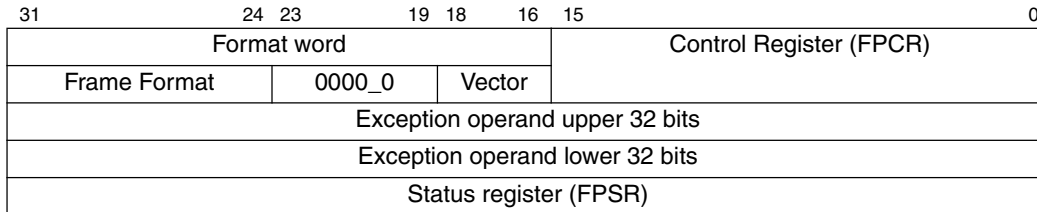


Figure 6-13. Floating-Point State Frame Contents

Table 6-22 describes format word fields.

Table 6-22. Format Word Field Descriptions

Bits	Name	Description
31–24	Frame format	Defines the format of the frame. 0x00 Null Frame (NULL) 0x05 Idle Frame (IDLE) 0xE5 Exception Frame (EXCP)
23–19	—	Zeros
18–16	Vector	Exception vector 000 BSUN 001 INEX 010 DZ 011 UNFL 100 OPERR 101 OVFL 110 INAN 111 IDE

When FSAVE executes, the floating-point frame reflects the FPU state at the time of the FSAVE. Internally, the FPU can be in the NULL, IDLE, or EXCP states. Upon reset, the FPU is in NULL state, in which all floating-point registers contain NaNs and the FPCR, FPSR, and FPIAR contain zeros. The FPU remains in NULL state until execution of an implemented floating-point instruction (except FSAVE). At this point, the FPU transitions from NULL to an IDLE state. A FRESTORE of NULL returns the FPU to NULL state.

EXCP state is entered as a result of a floating-point exception or an unsupported data type exception. The vector field identifies exception types associated with the EXCP state. This field and the exception vector taken are determined directly from the exception control (FPCR) and status (FPSR) bits. An FSAVE instruction always clears FPCR after saving its state. Thus, after an FSAVE, a handler does not generate further floating-point exceptions unless the handler re-enables the exceptions. FRESTORE returns FPCR and FPSR to their previous state before entering the handler, as stored in the state frame. A handler could alter the state frame to restore the FPU (using FRESTORE) into a different state than that saved by using FSAVE.

Normally, an exception handler executes FSAVE, processes the exception, clears the exception bit in the FSAVE state frame status word, and executes FRESTORE. If appropriate exception bits set in the status word are not cleared, the same exception is taken again. If multiple exception bits are set in the status word, each should be processed, cleared, and restored by their respective handlers. In this way, all exceptions are processed in priority order.

If it is not necessary to handle multiple exceptions, the exception model can be simplified (after any processing) by the handler manually loading FPCR and FPSR and then discarding the state frame before executing an RTE. Given that state frames are four longwords, it may be quicker to discard the state frame by incrementing the address pointer (often the system stack pointer, A7) by 16.

The exception operand, contained in longwords two and three of the FSAVE frame, is always the value of the destination operand before the operation which caused the exception commenced. Thus, for dyadic register-to-register operations, the exception operand contains the value of the destination register before it was overwritten by the operation which caused the exception. This operand can be retrieved by an exception handler that needs both original operands in order to process the exception.

6.7 Instructions

This section includes an instruction set summary, execution times, and differences between ColdFire and M68000 FPU programming models. For detailed instruction descriptions, see the *ColdFire Programmer's Reference Manual*.

6.7.1 Floating-Point Instruction Overview

ColdFire instructions are 16-, 32-, or 48-bits long. The general definition of a floating-point operation and effective addressing mode require 32 bits; some addressing modes require another 16-bit extension word. [Table 6-23](#) shows the minimum size instruction formats. The first word is the opword; the second is extension word 1.

Table 6-23. Floating-Point Instruction Formats

Mnemonic	Instruction Code																	
FABS	1	1	1	1	0	0	1	0	0	0	ea mode	ea reg	0	r/m	0	src spec	dest reg	opmode
FADD	1	1	1	1	0	0	1	0	0	0	ea mode	ea reg	0	r/m	0	src spec	dest reg	opmode
FBcc	1	1	1	1	0	0	1	0	1	s	cond predicate		16b displacement or MS Word of 32b					
	LS Word of 32b Displacement																	
FCMP	1	1	1	1	0	0	1	0	0	0	ea mode	ea reg	0	r/m	0	src spec	dest reg	0 1 1 1 0 0 0
FDIV	1	1	1	1	0	0	1	0	0	0	ea mode	ea reg	0	r/m	0	src spec	dest reg	opmode
FINT	1	1	1	1	0	0	1	0	0	0	ea mode	ea reg	0	r/m	0	src spec	dest reg	0 0 0 0 0 0 1
FINTRZ	1	1	1	1	0	0	1	0	0	0	ea mode	ea reg	0	r/m	0	src spec	dest reg	0 0 0 0 0 1 1

Table 6-23. Floating-Point Instruction Formats (Continued)

Mnemonic	Instruction Code										
FMOVE	1 1 1 1 0 0 1 0 0 0	ea mode	ea reg	0	r/m	0	src spec	dest reg	opcode		
	1 1 1 1 0 0 1 0 0 0	ea mode	ea reg	0	1	1	dest fmt	src reg	0 0 0 0 0 0 0		
	1 1 1 1 0 0 1 0 0 0	ea mode	ea reg	1	0	d r	reg sel	0 0 0 0 0 0 0 0 0			
FMOVEM	1 1 1 1 0 0 1 0 0 0	ea mode	ea reg	1	1	d r	1 0 0 0 0	register list			
FMUL	1 1 1 1 0 0 1 0 0 0	ea mode	ea reg	0	r/m	0	src spec	dest reg	opcode		
FNEG	1 1 1 1 0 0 1 0 0 0	ea mode	ea reg	0	r/m	0	src spec	dest reg	opcode		
FNOP	1 1 1 1 0 0 1 0 1 0	0 0									
FRESTORE	1 1 1 1 0 0 1 1 0 1	ea mode	ea reg								
FSAVE	1 1 1 1 0 0 1 1 0 0	ea mode	ea reg								
FSQRT	1 1 1 1 0 0 1 0 0 0	ea mode	ea reg	0	r/m	0	src spec	dest reg	opcode		
FSUB	1 1 1 1 0 0 1 0 0 0	ea mode	ea reg	0	r/m	0	src spec	dest reg	opcode		
FTST	1 1 1 1 0 0 1 0 0 0	ea mode	ea reg	0	r/m	0	src spec	dest reg	0 1 1 1 0 1 0		

Table 6-24 defines the terminology used in Table 6-23.

Table 6-24. Instruction Format Terminology

Term	Definition
Instructions	Instructions appear in memory as sequential, 16-bit values, and are read in the above table left to right. An instruction can have from 1 to 3 16-bit words. A shaded block indicates this word is never used and is not present.
EA MODE EA REG	Defines the effective address for an operand located external to the FPU. For most FPU instructions, this field defines the location of an external source operand; for FP store operations, it specifies the destination location.
R/M	If R/M = 0, an FPU data register is one source operand, otherwise the source operand is specified by the EA {MODE, REG} fields.
SRC SPEC	Defines the format (byte, word, longword, single-, or double-precision) of an external operand.
DEST REG	Specifies the destination FPU data register.
COND PREDICATE	Defines the condition to be evaluated (EQ, NE, and so on) during the execution of the FPU conditional branch instruction.

Table 6-24. Instruction Format Terminology (Continued)

Term	Definition
OPMODE	Defines the exact operation to be performed by the FPU.
SZ	Defines the length of the PC-relative displacement for the FPU conditional branch instruction. If SZ = 0, the displacement is 16 bits, otherwise a 32-bit displacement is used.
dr	Specifies direction of the MOVE transfer. As a 0, it moves from memory to the FP; as 1, it moves from the FP to memory.
REGISTER LIST	Defines FPU data registers to be moved during the execution of the FMOVEM instruction.
REG SEL	Indicates the FPU control register to be moved during execution of an FMOVE control register instruction.

6.7.2 Floating-Point Instruction Execution Timing

Table 6-25 shows the ColdFire execution times for the floating-point instructions in terms of processor core clock cycles. Each timing entry is presented as $C(r/w)$.

- C = The number of processor clock cycles including all applicable operand reads and writes plus all internal core cycles required to complete instruction execution
- r = The number of operand reads
- w = The number of operand writes

NOTE

Timing assumptions are the same as those for the ColdFire ISA. See the *ColdFire Microprocessor Family Programmer's Reference Manual*.

Table 6-25. Floating-Point Instruction Execution Times^{1, 2, 3}

Opcode	Format	Effective Address <ea>						
		FPn	Dn	(An)	(An)+	-(An)	(d ₁₆ ,An)	(d ₁₆ ,PC)
FABS	<ea>y,FPx	1(0/0)	1(0/0)	1(1/0)	1(1/0)	1(1/0)	1(1/0)	1(1/0)
FADD	<ea>y,FPx	4(0/0)	4(0/0)	4(1/0)	4(1/0)	4(1/0)	4(1/0)	4(1/0)
FBcc	<label>	—	—	—	—	—	—	2(0/0) if correct, 9(0/0) if incorrect
FCMP	<ea>y,FPx	4(0/0)	4(0/0)	4(1/0)	4(1/0)	4(1/0)	4(1/0)	4(1/0)
FDIV	<ea>y,FPx	23(0/0)	23(0/0)	23(1/0)	23(1/0)	23(1/0)	23(1/0)	23(1/0)
FINT	<ea>y,FPx	4(0/0)	4(0/0)	4(1/0)	4(1/0)	4(1/0)	4(1/0)	4(1/0)
FINTRZ	<ea>y,FPx	4(0/0)	4(0/0)	4(1/0)	4(1/0)	4(1/0)	4(1/0)	4(1/0)
FMOVE	<ea>y,FPx	1(0/0)	1(0/0)	1(1/0)	1(1/0)	1(1/0)	1(1/0)	1(1/0)
	FPy,<ea>x	—	2(0/1)	2(0/1)	2(0/1)	2(0/1)	2(0/1)	—
	<ea>y,FP*R	—	6(0/0)	6(1/0)	6(1/0)	6(1/0)	6(1/0)	6(1/0)
	FP*R,<ea>x	—	1(0/0)	1(0/1)	1(0/1)	1(0/1)	1(0/1)	—

Table 6-25. Floating-Point Instruction Execution Times^{1, 2, 3}

Opcode	Format	Effective Address <ea>						
		FPn	Dn	(An)	(An)+	-(An)	(d ₁₆ ,An)	(d ₁₆ ,PC)
FMOVEM ⁴	<ea>y,#list	—	—	2n(2n/0)	—	—	2n(2n/0)	2n(2n/0)
	#list,<ea>x	—	—	1+2n(0/2n)	—	—	1+2n(0/2n)	—
FMUL	<ea>y,FPx	4(0/0)	4(0/0)	4(1/0)	4(1/0)	4(1/0)	4(1/0)	4(1/0)
FNEG	<ea>y,FPx	1(0/0)	1(0/0)	1(1/0)	1(1/0)	1(1/0)	1(1/0)	1(1/0)
FNOP		—	—	—	—	—	—	2(0/0)
FRESTORE	<ea>y	—	—	6(4/0)	—	—	6(4/0)	6(4/0)
FSAVE	<ea>x	—	—	7(0/4)	—	—	7(0/4)	—
FSQRT	<ea>y,FPx	56(0/0)	56(0/0)	56(1/0)	56(1/0)	56(1/0)	56(1/0)	56(1/0)
FSUB	<ea>y,FPx	4(0/0)	4(0/0)	4(1/0)	4(1/0)	4(1/0)	4(1/0)	4(1/0)
FTST	<ea>y,FPx	1(0/0)	1(0/0)	1(1/0)	1(1/0)	1(1/0)	1(1/0)	1(1/0)

¹ Add 1(1/0) for an external read operand of double-precision format for all instructions except FMOVEM, and 1(0/1) for FMOVE FPy,<ea>x when the destination is double-precision.

² If the external operand is an integer format (byte, word, longword), there is a 4 cycle conversion time which must be added to the basic execution time.

³ If any exceptions are enabled, the execution time for FMOVE FPy,<ea>x increases by one cycle. If the BSUN exception is enabled, the execution time for FBcc increases by one cycle.

⁴ For FMOVEM, n refers to the number of registers being moved.

The ColdFire architecture supports concurrent execution of integer and floating-point instructions. The latencies in this table define the execution time needed by the FPU. After a multi-cycle FPU instruction is issued, subsequent integer instructions can execute concurrently with the FPU execution. For this sequence, the floating-point instruction occupies only one OEP cycle.

6.7.3 Key Differences between ColdFire and M68000 FPU Programming Models

This section is intended for compiler developers and developers porting assembly language routines from the M68000 family to ColdFire. It highlights major differences between the ColdFire FPU instruction set architecture (ISA) and the equivalent M68000 family ISA, using the MC68060 as the reference. The internal FPU datapath width is the most obvious difference. ColdFire uses 64-bit double-precision and the M68000 family uses 80-bit extended precision. Other differences pertain to supported addressing modes, both across all FPU instructions as well as specific opcodes. Table 6-26 lists key differences. Because all ColdFire implementations support instruction sizes of 48 bits or less, M68000 operations requiring larger instruction lengths cannot be supported.

Table 6-26. Key Programming Model Differences

Feature	M68000	ColdFire
Internal datapath width	80 bits	64 bits
Support for fpGEN d ₈ (An,Xi),FPx	Yes	No

Table 6-26. Key Programming Model Differences (Continued)

Feature	M68000	ColdFire
Support for fpGEN xxx.{w,l},FPx	Yes	No
Support for fpGEN d _g (PC,Xi),FPx	Yes	No
Support for fpGEN #xxx,FPx	Yes	No
Support for fmovem (Ay)+,#list	Yes	No
Support for fmovem #list,-(Ax)	Yes	No
Support for fmovem FP Control Registers	Yes	No

Some differences affect function activation and return. M68000 subroutines typically began with FMOVEM #list,-(a7) to save registers on the system stack, with each register occupying three longwords. In ColdFire, each register occupies two longwords and the stack pointer must be adjusted before the FMOVEM instruction. A similar sequence generally occurs at the end of the function, preparing to return control to the calling routine.

The examples in [Table 6-27](#), [Table 6-28](#), and [Table 6-29](#) show a M68000 operation and the equivalent ColdFire sequence.

Table 6-27. M68000/ColdFire Operation Sequence 1¹

M68000	ColdFire Equivalent
fmovem.x #list,-(a7)	lea -8*n(a7),a7;allocate stack space fmovem.d #list,(a7) ;save FPU registers
fmovem.x (a7)+,#list	fmovem.d (a7),#list ;restore FPU registers lea 8*n(a7),a7 ;deallocate stack space

¹ n is the number of FP registers to be saved/restored.

If the subroutine includes LINK and UNLK instructions, the stack space needed for FPU register storage can be factored into these operations and LEA instructions are not required.

The M68000 FPU supports loads and stores of multiple control registers (FPCR, FPSR, and FPIAR) with one instruction. For ColdFire, only one can be moved at a time.

For instructions that require an unsupported addressing mode, the operand address can be formed with a LEA instruction immediately before the FPU operation. See [Table 6-28](#).

Table 6-28. M68000/ColdFire Operation Sequence 2

M68000	ColdFire Equivalent
fadd.s label,fp2	lea label,a0;form pointer to data fadd.s (a0),fp2
fmul.d (d8,a1,d7),fp5	lea (d8,a1,d7),a0;form pointer to data fmul.d (a0),fp5
fcmp.l (d8,pc,d2),fp3	lea (d8,pc,d2),a0;form pointer to data fcmp.l (a0),fp3

The M68000 FPU allows floating-point instructions to directly specify immediate values; the ColdFire FPU does not support these types of immediate constants. It is recommended that floating-point immediate

values be moved into a table of constants that can be referenced using PC-relative addressing or as an offset from another address pointer. See [Table 6-29](#).

Table 6-29. M68000/ColdFire Operation Sequence 3

M68000	ColdFire Equivalent
fadd.l #imm1,fp3	fadd.l (imm1_label,pc),fp3
fsub.s #imm2,fp4	fsub.s (imm2_label,pc),fp3
fdiv.d #imm3,fp5	fdiv.d (imm3_label,pc),fp3 align 4 imm1_label: long imm1 ;integer longword imm2_label: long imm2 ;single-precision imm3_label: long imm3_upper, imm3_lower ;double-precision

Finally, ColdFire and the M68000 differ in how exceptions are made pending. In the ColdFire exception model, asserting both an FPSR exception indicator bit and the corresponding FPCR enable bit makes an exception pending. Thus, a pending exception state can be created by loading FPSR and/or FPCR. On the M68000, this type of pending exception is not possible.

Analysis of compiled floating-point applications indicates these differences account for most of the changes between M68000-compatible text and the equivalent ColdFire program.

Chapter 7

Local Memory

This chapter describes the MCF547x implementation of the ColdFire Version 4e local memory specification. It consists of two major sections.

- [Section 7.2, “SRAM Overview,”](#) describes the MCF54x7 core’s local static RAM (SRAM) implementation. It covers general operations, configuration, and initialization. It also provides information and examples showing how to minimize power consumption when using the SRAM.
- [Section 7.7, “Cache Overview,”](#) describes the MCF547x cache implementation, including organization, configuration, and coherency. It describes cache operations and how the cache interfaces with other memory structures.

7.1 Interactions between Local Memory Modules

Depending on configuration information, instruction fetches and data read accesses may be sent simultaneously to the SRAM and cache controllers. This approach is required because all three controllers are memory-mapped devices, and the hit/miss determination is made concurrently with the read data access. Power dissipation can be minimized by configuring the RAMBARs to mask unused address spaces whenever possible.

If the access address is mapped into the region defined by the SRAM (and this region is not masked), the SRAM provides the data back to the processor, and the cache data is discarded. Accesses from the SRAM module are never cached. The complete definition of the processor’s local bus priority scheme for read references is as follows:

```
if (SRAM "hits")
    SRAM supplies data to the processor
else if (data cache "hits")
    data cache supplies data to the processor
else system memory reference to access data
```

For data write references, the memory mapping into the local memories is resolved before the appropriate destination memory is accessed. Accordingly, only the targeted local memory is accessed for data write transfers.

NOTE

The two SRAMs discussed in this chapter is on the processor local bus. There is a third 32-Kbyte SRAM on the MCF547x device. See Chapter 15, “32-Kbyte System SRAM,” for more information.

7.2 SRAM Overview

The two 4-Kbyte, on-chip SRAM modules provide the core with pipelined, single-cycle access to memory. Memory can be independently mapped to any 0-modulo-4K location in the 4-Gbyte address space and configured to respond to either instruction or data accesses.

The following summarizes features of the MCF547x SRAM implementation:

- Two 4-Kbyte SRAMs, organized as 1024 x 32 bits
- Single-cycle throughput. When the pipeline is full, one access can occur per clock cycle.

- Physical location on the processor’s high-speed local bus with a user-programmed connection to the internal instruction or data bus
- Memory location programmable on any 0-modulo-4K address boundary
- Byte, word, and longword address capabilities
- The RAM base address registers (RAMBAR0 and RAMBAR1) define the logical base address, attributes, and access types for the two SRAM modules.

7.3 SRAM Operation

Each SRAM module provides a general-purpose memory block that the ColdFire processor can access with single-cycle throughput. The location of the memory block can be specified to any 0-modulo-4K address boundary in the 4-Gbyte address space by $\text{RAMBAR}_n[\text{BA}]$, described in [Section 7.4.1, “SRAM Base Address Registers \(RAMBAR0/RAMBAR1\)”](#). The memory is ideal for storing critical code or data structures or for use as the system stack. Because the SRAM module connects physically to the processor’s high-speed local bus, it can service processor-initiated accesses or memory-referencing debug module commands.

The Version 4e ColdFire processor core implements a Harvard memory architecture. Each SRAM module may be logically connected to either the processor’s internal instruction or data bus. This logical connection is controlled by a configuration bit in the RAM base address registers (RAMBAR0 and RAMBAR1).

If an instruction fetch is mapped into the region defined by the SRAM, the SRAM sources the data to the processor and any cache data is discarded. Likewise, if a data access is mapped into the region defined by the SRAM, the SRAM services the access and the cache is not affected. Accesses from SRAM modules are never cached, and debug-initiated references are treated as data accesses.

Note also that the SRAMs cannot be accessed by the on-chip DMAs. The on-chip system configuration allows concurrent core and DMA execution, where the CPU can reference code or data from the internal SRAMs or caches while performing a DMA transfer.

Accesses are attempted in the following order:

1. SRAM
2. Cache (if space is defined as cacheable)
3. System SRAM, MBAR space, or external access

7.4 SRAM Register Definition

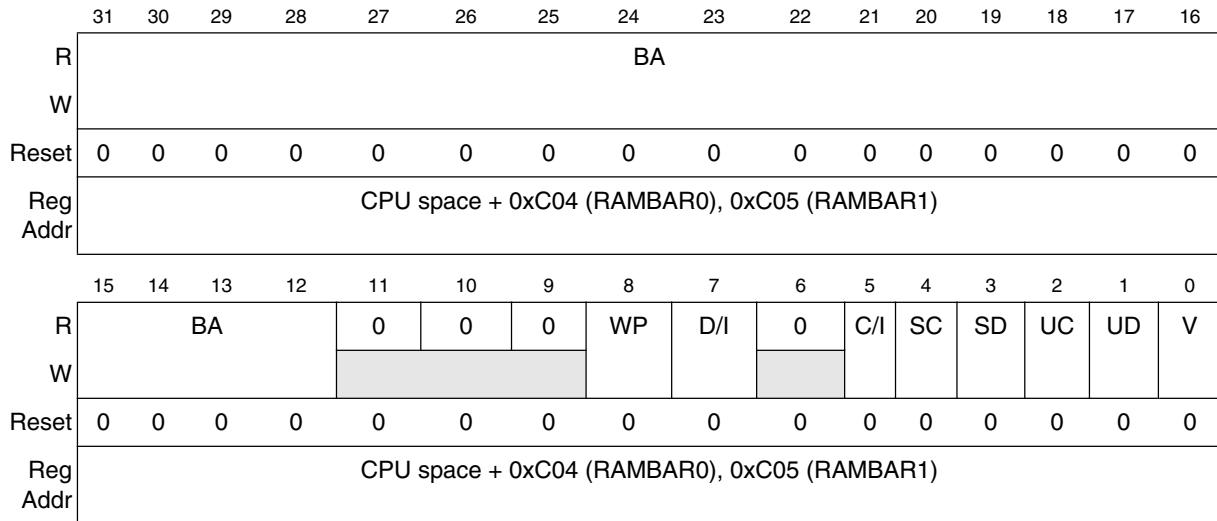
The SRAM programming model consists of RAMBAR0 and RAMBAR1.

7.4.1 SRAM Base Address Registers (RAMBAR0/RAMBAR1)

The SRAM modules are configured through the RAMBARs, shown in [Figure 7-1](#). Each RAMBAR holds the base address of the SRAM. The MOVEC instruction provides write-only access to this register from the processor. Each RAMBAR can be read or written from the debug module in a similar manner. All undefined RAMBAR bits are reserved. These bits are ignored during writes to the RAMBAR and return zeros when read from the debug module. The valid bits, $\text{RAMBAR}_n[\text{V}]$, are cleared at reset, disabling the SRAM modules. All other bits are unaffected.

NOTE

RAMBAR_n is read/write by the debug module.

Figure 7-1. SRAM Base Address Registers (RAMBAR n)

RAMBAR n fields are described in detail in [Table 7-1](#).

Table 7-1. RAMBAR n Field Description

Bits	Name	Description
31–12	BA	Base address. Defines the SRAM module's word-aligned base address. Each SRAM module occupies a 4-Kbyte space defined by the contents of BA. SRAM may reside on any 4-Kbyte boundary in the 4 Gbyte address space.
11–9	—	Reserved. Should be cleared.
8	WP	Write protect. Controls read/write properties of the SRAM. 0 Allows read and write accesses to the SRAM module 1 Allows only read accesses to the SRAM module. Any attempted write reference generates an access error exception to the ColdFire processor core.
7	D/I	Data/instruction bus. Indicates whether SRAM is connected to the internal data or instruction bus. 0 Data bus 1 Instruction bus
6	—	Reserved, should be cleared.

Table 7-1. RAMBAR n Field Description (Continued)

Bits	Name	Description
5	C/I	Address space masks (AS n). These fields allow certain types of accesses to be masked, or inhibited from accessing the SRAM module. These bits are useful for power management as described in Section 7.6, “Power Management.” In particular, C/I is typically set. The address space mask bits are follows: C/I = CPU space/interrupt acknowledge cycle mask. Note that C/I must be set if BA = 0. SC = Supervisor code address space mask SD = Supervisor data address space mask UC = User code address space mask UD = User data address space mask For each AS n bit: 0 An access to the SRAM module can occur for this address space 1 Disable this address space from the SRAM module. If a reference using this address space is made, it is inhibited from accessing the SRAM module and is processed like any other non-SRAM reference.
4	SC	
3	SD	
2	UC	
1	UD	
0	V	Valid. Enables/disables the SRAM module. V is cleared at reset. 0 RAMBAR contents are not valid. 1 RAMBAR contents are valid.

The mapping of a given access into the SRAM uses the following algorithm to determine if the access hits in the memory:

```

if (RAMBAR[0] = 1)
if (((access = instructionFetch) & (RAMBAR[7] = 1)) |
    ((access = dataReference) & (RAMBAR[7] = 0)))
    if (requested address[31:10] = RAMBAR[31:10])
        if (requested address[31:n] = RAMBAR[31:n])
            if (AS $n$  of the requested type = 0)
                Access is mapped to the SRAM module
                if (access = read)
                    Read the SRAM and return the data
                if (access = write)
                    if (RAMBAR[8] = 0)
                        Write the data into the SRAM
                    else Signal a write-protect access error
    
```

AS n refers to the five address space mask bits: C/I, SC, SD, UC, and UD.

7.5 SRAM Initialization

After a hardware reset, the contents of each SRAM module are undefined. The valid bits, RAMBAR n [V], are cleared, disabling the SRAM modules. If the SRAM requires initialization with instructions or data, the following steps should be performed:

1. Load RAMBAR n with bit 7 = 0, mapping the SRAM module to the desired location. Clearing RAMBAR n [7] logically connects the SRAM module to the processor’s data bus.
2. Read the source data and write it to the SRAM. Various instructions support this function, including memory-to-memory move instructions and the move multiple instruction (MOVEM). MOVEM is optimized to generate line-sized burst fetches on line-aligned addresses, so it generally provides maximum performance.

- After the data is loaded into the SRAM, it may be appropriate to revise the RAMBAR attribute bits, including the write-protect and address-space mask fields. If the SRAM contains instructions, RAMBAR[D/I] must be set to logically connect the memory to the processor's internal instruction bus.

Remember that the SRAM cannot be accessed by the on-chip DMAs. The on-chip system configuration allows concurrent core and DMA execution, where the core can execute code out of internal SRAM or cache during DMA access.

The ColdFire processor or an external emulator using the debug module can perform these initialization functions.

7.5.1 SRAM Initialization Code

The code segment below initializes the SRAM using RAMBAR0. The code sets the base address of the SRAM at 0x2000_0000 before it initializes the SRAM to zeros.

```
RAMBASE      EQU      0x20000000      ;set this variable to 0x20000000
RAMVALID     EQU      0x00000035
move.l       #RAMBASE+RAMVALID,D0    ;load RAMBASE + valid bit into D0
movec.l      D0, RAMBAR0              ;load RAMBAR0 and enable SRAM
```

The following loop initializes the entire SRAM to zero:

```
lea.l        RAMBASE,A0              ;load pointer to SRAM
move.l       #1024,D0                 ;load loop counter into D0

SRAM_INIT_LOOP:

clr.l        (A0)+                    ;clear 4 bytes of SRAM
subq.l       #1,D0                    ;decrement loop counter
bne.b        SRAM_INIT_LOOP          ;exit if done; else continue looping
```

The following function copies the number of bytesToMove from the source (*src) to the processor's local SRAM at an offset relative to the SRAM base address defined by destinationOffset. The bytesToMove must be a multiple of 16. For best performance, source and destination SRAM addresses should be line-aligned (0-modulo-16).

```
; copyToCpuRam (*src, destinationOffset, bytesToMove)

RAMBASE      EQU      0x20000000      ;SRAM base address
RAMFLAGS     EQU      0x00000035      ;RAMBAR valid + mask bits

        lea.l    -12(a7),a7;allocate temporary space
        movem.l #0x1c,(a7);store D2/D3/D4 registers

; stack arguments and locations
; +0      saved d2
; +4      saved d3
; +8      saved d4
; +12     returnPc
; +16     pointer to source operand
```

```

; +20 destinationOffset
; +24 bytesToMove

move.l RAMBASE+RAMFLAGS,a0 ;define RAMBAR0 contents
movec.l a0,rambar0;load it

move.l 16(a7),a0;load argument defining *src

lea.l RAMBASE,a1;memory pointer to SRAM base
add.l 20(a7),a1;include destinationOffset

move.l 24(a7),d4;load byte count
asr.l #4,d4 ;divide by 16 to convert to loop count

.align 4 ;force loop on 0-mod-4 address
loop: movem.l (a0),#0xf;read 16 bytes from source
movem.l #0xf,(a1);store into SRAM destination
lea.l 16(a0),a0;increment source pointer
lea.l 16(a1),a1;increment destination pointer
subq.l #1,d4 ;decrement loop counter
bne.b loop ;if done, then exit, else continue

movem.l (a7),#0x1c;restore d2/d3/d4 registers
lea.l 12(a7),a7;deallocate temporary space
rts

```

7.6 Power Management

Because processor memory references may be simultaneously sent to an SRAM module and cache, power can be minimized by configuring RAMBAR address space masks as precisely as possible. For example, if an SRAM is mapped to the internal instruction bus and contains instruction data, setting the AS_n mask bits associated with operand references can decrease power dissipation. Similarly, if the SRAM contains data, setting AS_n bits associated with instruction fetches minimizes power.

Table 7-2 shows typical RAMBAR configurations.

Table 7-2. Examples of Typical RAMBAR Settings

Data Contained in SRAM	RAMBAR[5–0]
Code only	0x2B
Data only	0x35
Both code and data	0x21

7.7 Cache Overview

This section describes the MCF547x cache implementation, including organization, configuration, and coherency. It describes cache operations and how the cache interacts with other memory structures.

The MCF547x implements a special branch instruction cache for accelerating branches, enabled by a bit in the cache access control register (CACR[BEC]). The branch cache is described in Section 3.2.1.1.1, “Branch Acceleration.”

The MCF54x7 processor's Harvard memory structure includes a 32-Kbyte data cache and a 32-Kbyte instruction cache. Both are nonblocking and 4-way set-associative with a 16-byte line. The cache improves system performance by providing single-cycle access to the instruction and data pipelines. This decouples processor performance from system memory performance, increasing bus availability for on-chip DMA or external devices. Figure 7-2 shows the organization and integration of the data cache.

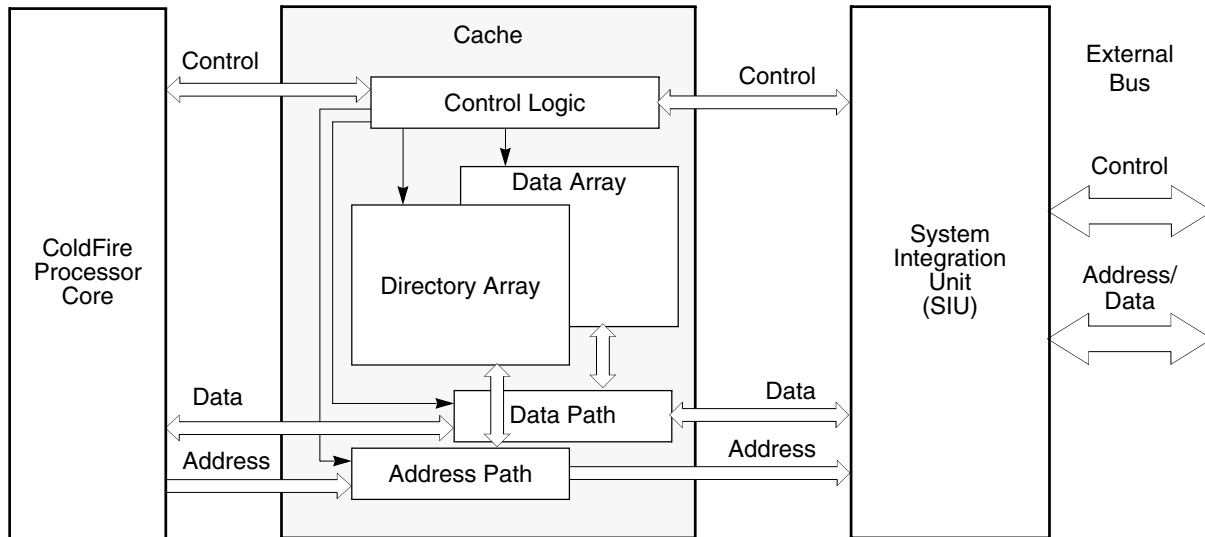


Figure 7-2. Data Cache Organization

Both caches implement line-fill buffers to optimize line-sized burst accesses. The data cache supports operation of copyback, write-through, or cache-inhibited modes. A four-entry, 32-bit buffer supports cache line-push operations, and can be configured to defer write buffering in write-through or cache-inhibited modes. The cache lock feature can be used to guarantee deterministic response for critical code or data areas.

A nonblocking cache services read hits or write hits from the processor while a fill (caused by a cache allocation) is in progress. As Figure 7-2 shows, accesses use a single bus connected to the cache.

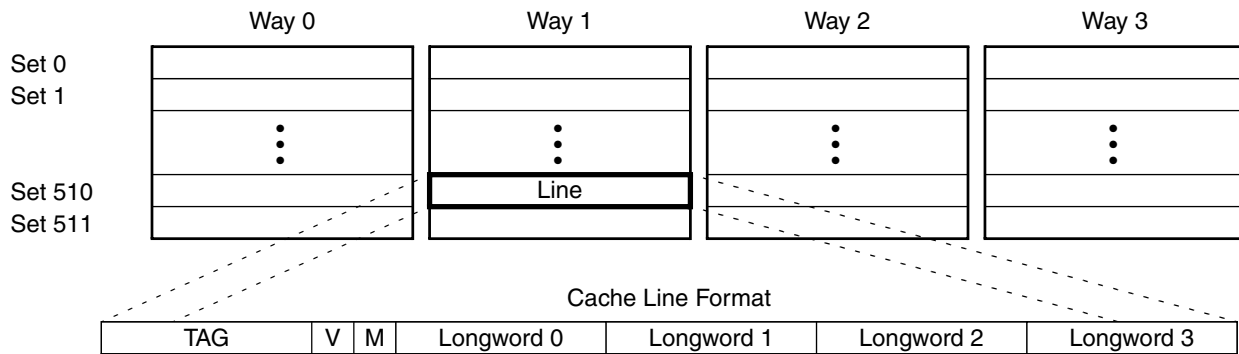
All addresses from the processor to the cache are physical addresses. A cache hit occurs when an address matches a cache entry. For a read, the cache supplies data to the processor. For a write, which is permitted only to the data cache, the processor updates the cache. If an access does not match a cache entry (misses the cache) or if a write access must be written through to memory, the cache performs a bus cycle on the internal bus and correspondingly on the external bus by way of the system integration unit (SIU).

The cache module does not implement bus snooping; cache coherency with other possible bus masters must be maintained in software.

7.8 Cache Organization

A four-way set associative cache is organized as four ways (levels). There are 512 sets in the 32-Kbyte data cache with each line containing 16 bytes (4 longwords). The 32-Kbyte instruction cache has 512 sets. Entire cache lines are loaded from memory by burst-mode accesses that cache 4 longwords of data or instructions. All 4 longwords must be loaded for the cache line to be valid.

Figure 7-3 shows data cache organization as well as terminology used.



Where:
TAG—21-bit address tag
V—Valid bit for line
M—Modified bit for line (data cache only)

Figure 7-3. Data Cache Organization and Line Format

A set is a group of four lines (one from each level, or way), corresponding to the same index into the cache array.

7.8.1 Cache Line States: Invalid, Valid-Unmodified, and Valid-Modified

As shown in [Table 7-3](#), a data cache line can be invalid, valid-unmodified (often called exclusive), or valid-modified. An instruction cache line can be valid or invalid.

Table 7-3. Valid and Modified Bit Settings

V	M	Description
0	x	Invalid. Invalid lines are ignored during lookups.
1	0	Valid, unmodified. Cache line has valid data that matches system memory.
1	1	Valid, modified. Cache line contains most recent data, data at system memory location is stale.

A valid line can be explicitly invalidated by executing a CPUSHL instruction.

7.8.2 The Cache at Start-Up

As [Figure 7-4 \(A\)](#) shows, after power-up, cache contents are undefined; V and M may be set on some lines even though the cache may not contain the appropriate data for start up. Because reset and power-up do not invalidate cache lines automatically, the cache should be cleared explicitly by setting CACR[DCINVA,ICINVA] before the cache is enabled (B).

After the entire cache is flushed, cacheable entries are loaded first in way 0. If way 0 is occupied, the cacheable entry is loaded into the same set in way 1, as shown in [Figure 7-4 \(D\)](#). This process is described in detail in [Section 7.9, “Cache Operation.”](#)

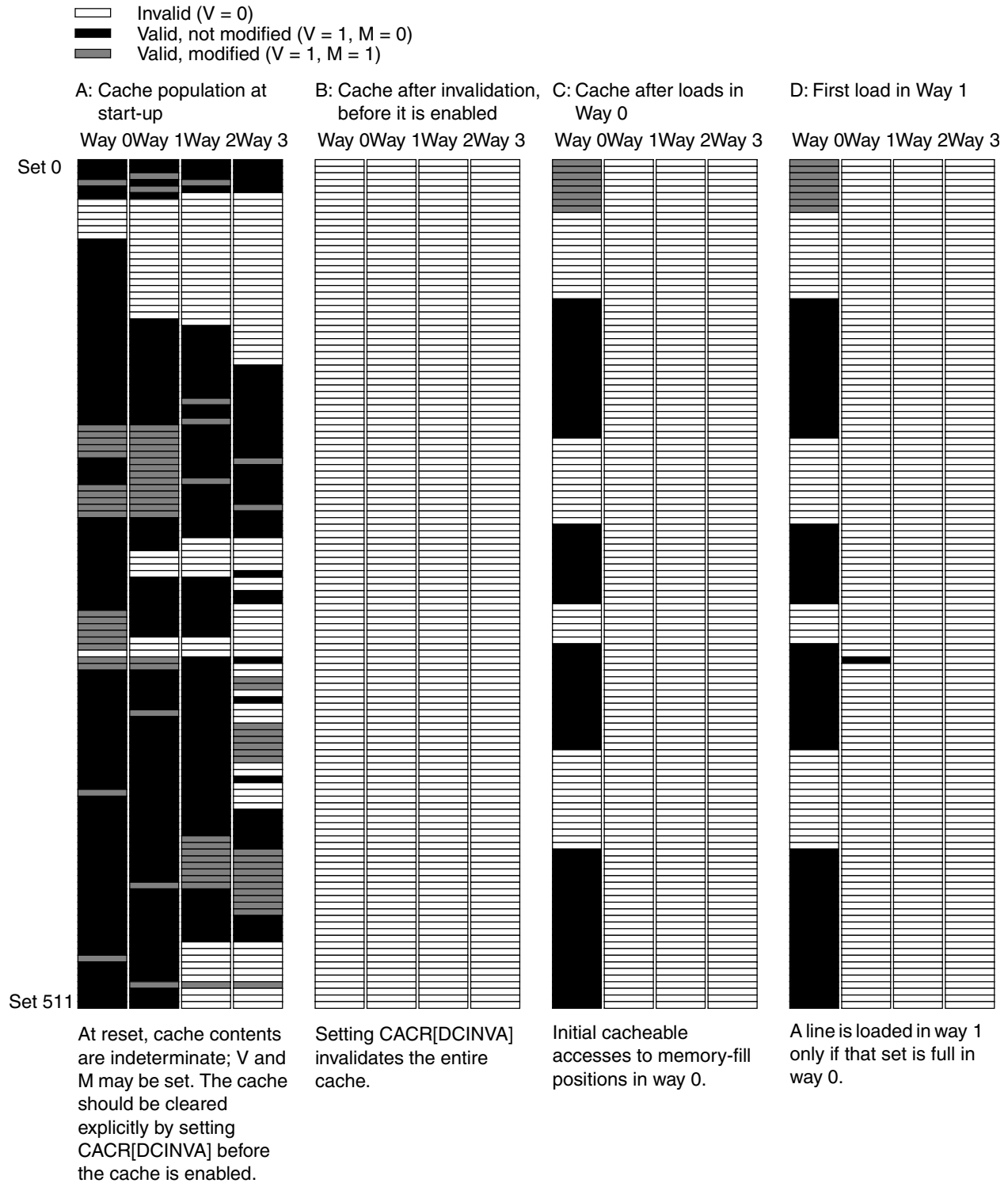


Figure 7-4. Data Cache—A: at Reset, B: after Invalidation, C and D: Loading Pattern

7.9 Cache Operation

Figure 7-5 shows the general flow of a caching operation using the 32-Kbyte data cache as an example. The discussion in this chapter assumes a data cache. Instruction cache operations are similar except that there is no support for writing to the cache; therefore, such notions of modified cache lines and write allocation do not apply.

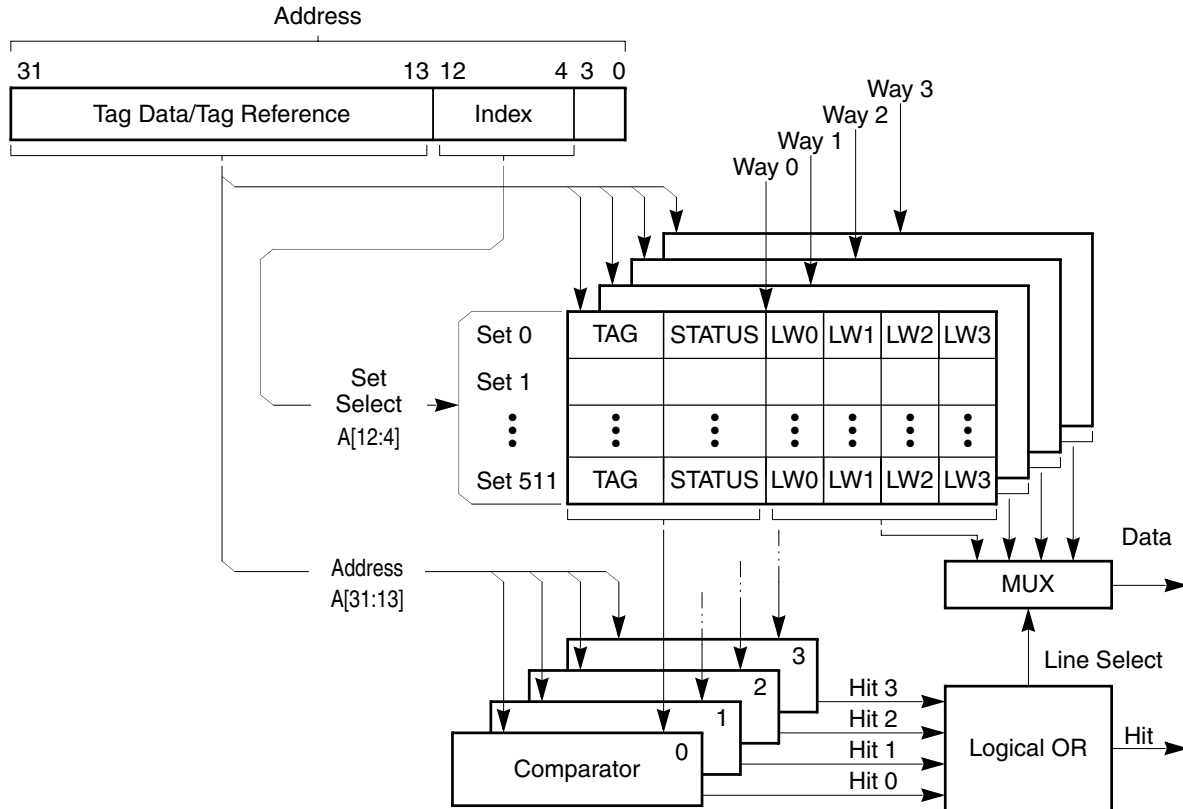


Figure 7-5. Data Caching Operation

The following steps determine if a data cache line is allocated for a given address:

1. The cache set index, $A[12:4]$, selects one cache set.
2. $A[31:13]$ and the cache set index are used as a tag reference or are used to update the cache line tag field. Note that $A[31:13]$ can specify 19 possible address lines that can be mapped to one of the four ways.
3. The four tags from the selected cache set are compared with the tag reference. A cache hit occurs if a tag matches the tag reference and the V bit is set, indicating that the cache line contains valid data. If a cacheable write access hits in a valid cache line, the write can occur to the cache line without having to load it from memory.

If the memory space is copyback, the updated cache line is marked modified ($M = 1$), because the new data has made the data in memory out of date. If the memory location is write-through, the write is passed on to system memory and the M bit is never used. Note that the tag does not have TT or TM bits.

To allocate a cache entry, the cache set index selects one of the cache's 512 sets. The cache control logic looks for an invalid cache line to use for the new entry. If none is available, the cache controller uses a

pseudo-round-robin replacement algorithm to choose the line to be deallocated and replaced. First the cache controller looks for an invalid line, with way 0 the highest priority. If all lines have valid data, a 2-bit replacement counter is used to choose the way. After a line is allocated, the pointer increments to point to the next way.

Cache lines from ways 0 and 1 can be protected from deallocation by enabling half-cache locking. If $CACR[DHLCK, IHLCK] = 1$, the replacement pointer is restricted to way 2 or 3.

As part of deallocation, a valid, unmodified cache line is invalidated. It is consistent with system memory, so memory does not need to be updated. To deallocate a modified cache line, data is placed in a push buffer (for an external cache line push) before being invalidated. After invalidation, the new entry can replace it. The old cache line may be written after the new line is read.

When a cache line is selected to host a new cache entry, the following three things happen:

1. The new address tag bits $A[31:13]$ are written to the tag.
2. The cache line is updated with the new memory data.
3. The cache line status changes to a valid state ($V = 1$).

Read cycles that miss in the cache allocate normally as previously described.

Write cycles that miss in the cache do not allocate on a cacheable write-through region, but do allocate for addresses in a cacheable copyback region.

A copyback byte, word, longword, or line write miss causes the following:

1. The cache initiates a line fill or flush.
2. Space is allocated for a new line.
3. V and M are both set to indicate valid and modified.
4. Data is written in the allocated space. No write to memory occurs.

Note the following:

- Read hits cannot change the status bits and no deallocation or replacement occurs; the data or instructions are read from the cache.
- If the cache hits on a write access, data is written to the appropriate portion of the accessed cache line. Write hits in cacheable, write-through regions generate an external write cycle and the cache line is marked valid, but is never marked modified. Write hits in cacheable copyback regions do not perform an external write cycle; the cache line is marked valid and modified ($V = 1$ and $M = 1$).
- Misaligned accesses are broken into at least two cache accesses.
- Validity is provided only on a line basis. Unless a whole line is loaded on a cache miss, the cache controller does not validate data in the cache line.

Write accesses designated as cache-inhibited by the $CACR$ or ACR bypass the cache and perform a corresponding external write.

Normally, cache-inhibited reads bypass the cache and are performed on the external bus. The exception to this normal operation occurs when all of the following conditions are true during a cache-inhibited read:

- The cache-inhibited fill buffer bit, $CACR[DNFB]$, is set.
- The access is an instruction read.
- The access is normal (that is, transfer type (TT) equals 0).

In this case, an entire line is fetched and stored in the fill buffer. It remains valid there, and the cache can service additional read accesses from this buffer until either another fill or a cache-invalidate-all operation occurs.

Valid cache entries that match during cache-inhibited address accesses are neither pushed nor invalidated. Such a scenario suggests that the associated cache mode for this address space was changed. To avoid this, it is generally recommended to use the CPUSHL instruction to push or invalidate the cache entry or set CACR[DCINVA] to invalidate the data cache before switching cache modes.

7.9.1 Caching Modes

For every memory reference generated by the processor or debug module, a set of effective attributes is determined based on the address and the ACRs. Caching modes determine how the cache handles an access. A data access can be cacheable in either write-through or copyback mode; it can be cache-inhibited in precise or imprecise modes. For normal accesses, the ACR n [CM] bit corresponding to the address of the access specifies the caching modes. If an address does not match an ACR, the default caching mode is defined by CACR[DDCM,IDCM]. The specific algorithm is as follows:

```
if (address == ACR0-address including mask)
    effective attributes = ACR0 attributes
else if (address == ACR1-address including mask)
    effective attributes = ACR1 attributes
else effective attributes = CACR default attributes
```

Addresses matching an ACR can also be write-protected using ACR[W]. Addresses that do not match either ACR can be write-protected using CACR[DW].

Reset disables the cache and clears all CACR bits. As shown in [Figure 7-4](#), reset does not automatically invalidate cache entries; they must be invalidated through software.

The ACRs allow the defaults selected in the CACR to be overridden. In addition, some instructions (for example, CPUSHL) and processor core operations perform accesses that have an implicit caching mode associated with them. The following sections discuss the different caching accesses and their associated cache modes.

Cacheable Accesses

If ACR n [CM] or the default field of the CACR indicates write-through or copyback, the access is cacheable. A read access to a write-through or copyback region is read from the cache if matching data is found. Otherwise, the data is read from memory and the cache is updated. When a line is being read from memory for either a write-through or copyback read miss, the longword within the line that contains the core-requested data is loaded first and the requested data is given immediately to the processor, without waiting for the three remaining longwords to reach the cache.

The following sections describe write-through and copyback modes in detail. Note that some of this information applies to data caches only.

7.9.1.1 Write-Through Mode (Data Cache Only)

Write accesses to regions specified as write-through are always passed on to the external bus, although the cycle can be buffered, depending on the state of CACR[DESB]. Writes in write-through mode are handled with a no-write-allocate policy—that is, writes that miss in the cache are written to the external bus but do not cause the corresponding line in memory to be loaded into the cache. Write accesses that hit always write through to memory and update matching cache lines. The cache supplies data to data-read accesses that hit in the cache; read misses cause a new cache line to be loaded into the cache.

7.9.1.2 Copyback Mode (Data Cache Only)

Copyback regions are typically used for local data structures or stacks to minimize external bus use and reduce write-access latency. Write accesses to regions specified as copyback that hit in the cache update the cache line and set the corresponding M bit without an external bus access.

The cache should be flushed using the CPUSHL instruction before invalidating the cache in copyback mode using the CINV bit. Modified cache data is written to memory only if the line is replaced because of a miss or a CPUSHL instruction pushes the line. If a byte, word, longword, or line write access misses in the cache, the required cache line is read from memory, thereby updating the cache. When a miss selects a modified cache line for replacement, the modified cache data moves to the push buffer. The replacement line is read into the cache and the push buffer contents are then written to memory.

7.9.2 Cache-Inhibited Accesses

Memory regions can be designated as cache-inhibited, which is useful for memory containing targets such as I/O devices and shared data structures in multiprocessing systems. It is also important to not cache the MCF54x7 memory-mapped registers. If the corresponding $ACR_n[CM]$ or $CACR[DDCM]$ indicates cache-inhibited, precise or imprecise, the access is cache-inhibited. The caching operation is identical for both cache-inhibited modes, which differ only regarding recovery from an external bus error.

In determining whether a memory location is cacheable or cache-inhibited, the CPU checks memory-control registers in the following order:

1. RAMBARs
2. ACR0 and ACR2
3. ACR1 and ACR3
4. If an access does not hit in the RAMBARs or the ACRs, the default is provided for all accesses in CACR.

Cache-inhibited write accesses bypass the cache, and a corresponding external write is performed. Cache-inhibited reads bypass the cache and are performed on the external bus, except when all of the following conditions are true:

- The cache-inhibited fill-buffer bit, $CACR[DNFB]$, is set.
- The access is an instruction read.
- The access is normal (that is, $TT = 0$).

In this case, a fetched line is stored in the fill buffer and remains valid there; the cache can service additional read accesses from this buffer until another fill occurs or a cache-invalidate-all operation occurs.

If $ACR_n[CM]$ indicates cache-inhibited mode, precise or imprecise, the controller bypasses the cache and performs an external transfer. If a line in the cache matches the address and the mode is cache-inhibited, the cache does not automatically push the line if it is modified, nor does it invalidate the line if it is valid. Before switching cache mode, execute a CPUSHL instruction or set $CACR[DCINVA, ICINVA]$ to invalidate the entire cache.

If $ACR_n[CM]$ indicates precise mode, the sequence of read and write accesses to the region is guaranteed to match the instruction sequence. In imprecise mode, the processor core allows read accesses that hit in the cache to occur before completion of a pending write from a previous instruction. Writes are not deferred past data-read accesses that miss the cache (that is, that must be read from the bus).

Precise operation forces data-read accesses for an instruction to occur only once by preventing the instruction from being interrupted after data is fetched. Otherwise, if the processor is not in precise mode,

an exception aborts the instruction and the data may be accessed again when the instruction is restarted. These guarantees apply only when $ACR_n[CM]$ indicates precise mode and aligned accesses.

CPU space-register accesses using the MOVEC instruction are treated as cache-inhibited and precise.

7.9.3 Cache Protocol

The following sections describe the cache protocol for processor accesses and assumes that the data is cacheable (that is, write-through or copyback). Note that the discussion of write operations applies to the data cache only.

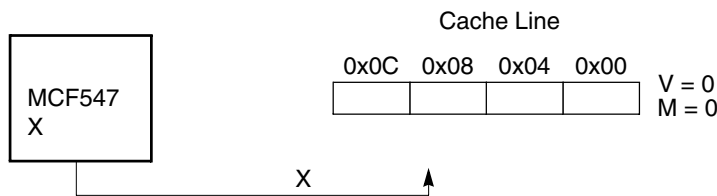
7.9.3.1 Read Miss

A processor read that misses in the cache requests the cache controller to generate a bus transaction. This bus transaction reads the needed line from memory and supplies the required data to the processor core. The line is placed in the cache in the valid state.

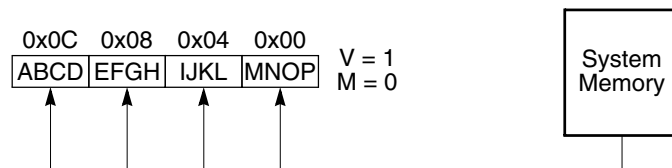
7.9.3.2 Write Miss (Data Cache Only)

The cache controller handles processor writes that miss in the data cache differently for write-through and copyback regions. Write misses to copyback regions cause the cache line to be read from system memory, as shown in Figure 7-6.

1. Writing character X to 0x0B generates a write miss. Data cannot be written to an invalid line.



2. The cache line (characters A–P) is updated from system memory, and the line is marked valid.



3. After the cache line is filled, the write that initiated the write miss (the character X) completes to 0x0B.

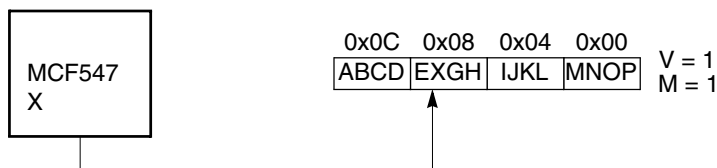


Figure 7-6. Write-Miss in Copyback Mode

The new cache line is then updated with write data and the M bit is set for the line, leaving it in modified state. Write misses to write-through regions write directly to memory without loading the corresponding cache line into the cache.

7.9.3.3 Read Hit

On a read hit, the cache provides the data to the processor core and the cache line state remains unchanged. If the cache mode changes for a specific region of address space, lines in the cache corresponding to that region that contain modified data are not pushed out to memory when a read hit occurs within that line. First execute a CPUSHL instruction or set CACR[DCINVA,ICINVA] before switching the cache mode.

7.9.3.4 Write Hit (Data Cache Only)

The cache controller handles processor writes that hit in the data cache differently for write-through and copyback regions. For write hits to a write-through region, portions of cache lines corresponding to the size of the access are updated with the data. The data is also written to external memory. The cache line state is unchanged. For copyback accesses, the cache controller updates the cache line and sets the M bit for the line. An external write is not performed and the cache line state changes to (or remains in) the modified state.

7.9.4 Cache Coherency (Data Cache Only)

The MCF547x provides limited cache coherency support in multiple-master environments. Both write-through and copyback memory update techniques are supported to maintain coherency between the cache and memory.

The cache does not support snooping (that is, cache coherency is not supported while external or DMA masters are using the bus). Therefore, on-chip DMAs of the MCF547x cannot access local memory and do not maintain coherency with the data cache.

7.9.5 Memory Accesses for Cache Maintenance

The cache controller performs all maintenance activities that supply data from the cache to the core, including requests to the SIU for reading new cache lines and writing modified lines to memory. The following sections describe memory accesses resulting from cache fill and push operations. Chapter 16, “FlexBus,” describes required bus cycles in detail.

7.9.5.1 Cache Filling

When a new cache line is required, a line read is requested from the SIU, which generates a burst-read transfer by indicating a line access with the size signals, SIZ[1:0].

The responding device supplies 4 consecutive longwords of data. Burst operations can be inhibited or enabled through the burst read/write enable bits (BSTR/BSTW) in the chip-select control registers (CSCR0–CSCR7).

SIU line accesses implicitly request burst-mode operations from memory. For more information regarding external bus burst-mode accesses, see Chapter 16, “FlexBus.”

The first cycle of a cache-line read loads the longword entry corresponding to the requested address. Subsequent transfers load the remaining longword entries.

A burst operation is aborted by an a write-protection fault, which is the only possible access error. Exception processing proceeds immediately. Note that unlike Version 2 and Version 3 access errors, the program counter stored on the exception stack frame points to the faulting instruction. See Section 3.8.2, “Processor Exceptions.”

7.9.5.2 Cache Pushes

Cache pushes occur for line replacement and as required for the execution of the CPUSHL instruction. To reduce the requested data’s latency in the new line, the modified line being replaced is temporarily placed in the push buffer while the new line is fetched from memory. After the bus transfer for the new line completes, the modified cache line is written back to memory and the push buffer is invalidated.

7.9.5.2.1 Push and Store Buffers

The 16-byte push buffer reduces latency for requested new data on a cache miss by holding a displaced modified data cache line while the new data is read from memory.

If a cache miss displaces a modified line, a miss read reference is immediately generated. While waiting for the response, the current contents of the cache location load into the push buffer. When the burst-read bus transaction completes, the cache controller can generate the appropriate line-write bus transaction to write the push buffer contents into memory.

In imprecise mode, the FIFO store buffer can defer pending writes to maximize performance. The store buffer can support as many as four entries (16 bytes maximum) for this purpose.

Data writes destined for the store buffer cannot stall the core. The store buffer effectively provides a measure of decoupling between the pipeline’s ability to generate writes (one per cycle maximum) and the external bus’s ability to retire those writes. In imprecise mode, writes stall only if the store buffer is full and a write operation is on the internal bus. The internal write cycle is held, stalling the data execution pipeline.

If the store buffer is not used (that is, store buffer disabled or cache-inhibited precise mode), external bus cycles are generated directly for each pipeline write operation. The instruction is held in the pipeline until external bus transfer termination is received. Therefore, each write is stalled for 5 cycles, making the minimum write time equal to 6 cycles when the store buffer is not used. See Section 3.2.1.2, “Operand Execution Pipeline (OEP).”

The data store buffer enable bit, CACR[DESB], controls the enabling of the data store buffer. This bit can be set and cleared by the MOVEC instruction. DESB is zero at reset and all writes are performed in order (precise mode). ACR n [CM] or CACR[DDCM] generates the mode used when DESB is set. Cacheable write-through and cache-inhibited imprecise modes use the store buffer.

The store buffer can queue data as much as 4 bytes wide per entry. Each entry matches the corresponding bus cycle it generates; therefore, a misaligned longword write to a write-through region creates two entries if the address is to an odd-word boundary. It creates three entries if it is to an odd-byte boundary—one per bus cycle.

7.9.5.2.2 Push and Store Buffer Bus Operation

As soon as the push or store buffer has valid data, the internal bus controller uses the next available external bus cycle to generate the appropriate write cycles. In the event that another cache fill is required (for example, cache miss to process) during the continued instruction execution by the processor pipeline, the pipeline stalls until the push and store buffers are empty, then generate the required external bus transaction.

Supervisor instructions, the NOP instruction, and exception processing synchronize the processor core and guarantee the push and store buffers are empty before proceeding. Note that the NOP instruction should be used only to synchronize the pipeline. The preferred no-operation function is the TPF instruction. See the *ColdFire Programmer's Reference Manual* for more information on the TPF instruction.

7.9.6 Cache Locking

Ways 0 and 1 of the data cache can be locked by setting CACR[DHLCK]; likewise, ways 0 and 1 of the instruction cache can be locked by setting CACR[IHLCK]. If a cache is locked, cache lines in ways 0 and 1 are not subject to being deallocated by normal cache operations.

As [Figure 7-7](#) (B and C) shows, the algorithm for updating the cache and for identifying cache lines to be deallocated is otherwise unchanged. If ways 2 and 3 are entirely invalid, cacheable accesses are first allocated in way 2. Way 3 is not used until the location in way 2 is occupied.

Ways 0 and 1 are still updated on write hits (D in [Figure 7-7](#)) and may be pushed or cleared only explicitly by using specific cache push/invalidate instructions. However, new cache lines cannot be allocated in ways 0 and 1.

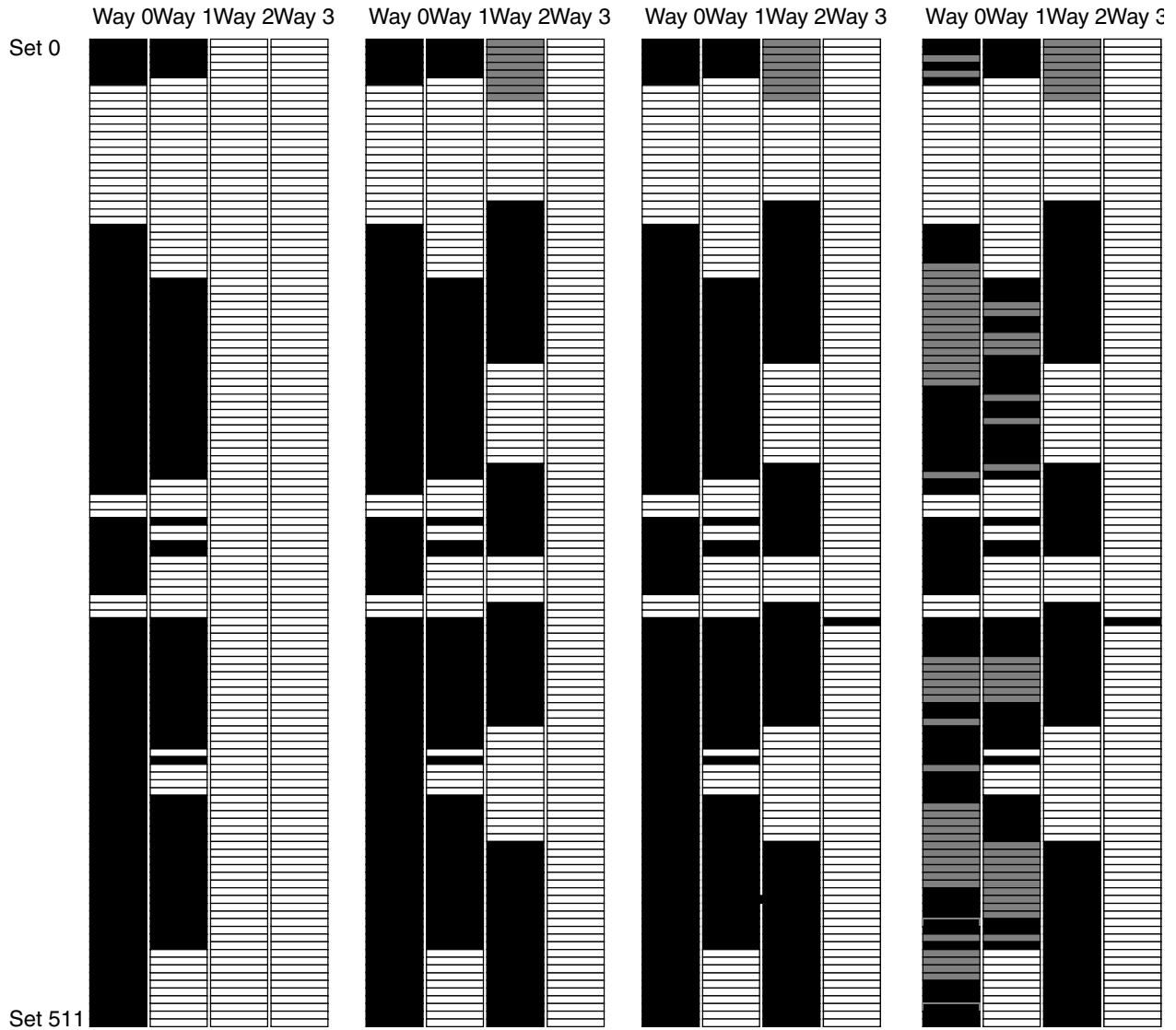
- Invalid (V = 0)
- Valid, not modified (V = 1, M = 0)
- ▒ Valid, modified (V = 1, M = 1)

A: Ways 0 and 1 are filled. Ways 2 and 3 are invalid.

B: CACR[DHLCK] is set, locking ways 0 and 1.

C: When a set in Way 2 is occupied, the set in way 3 is used for a cacheable access.

D: Write hits to ways 0 and 1 update cache lines.



After reset, the cache is invalidated, ways 0 and 1 are then written with data that should not be deallocated. Ways 0 and 1 can be filled systematically by using the INTOUCH instruction.

After CACR[DHLCK] is set, subsequent cache accesses go to ways 2 and 3.

While the cache is locked and after a position in ways is full, the set in Way 3 is updated.

While the cache is locked, ways 0 and 1 can be updated by write hits. In this example, memory is configured as copyback, so updated cache lines are marked modified.

Figure 7-7. Data Cache Locking

7.10 Cache Register Definition

This section describes the MCF54x7 implementation of the Version 4e cache registers.

7.10.1 Cache Control Register (CACR)

The CACR in [Figure 7-8](#) contains bits for configuring the cache. It can be written by the MOVEC register instruction and can be read or written from the debug facility. A hardware reset clears CACR, which disables the cache; however, reset does not affect the tags, state information, or data in the cache.

NOTE

CACR is read/write by the debug module.

	31	30	29	28	27	26	25	24	23	22	21	20	19	18	17	16
R	DEC	DW	DESB	DDPI	DHLCK	DDCM	DCINVA	DDSP	0	0	0	BEC	BCINVA	0	0	
W																
Reset	0	0	0	0	0	0	0	0	0	0	0	0	0	0	0	
Reg Addr	0x002															
	15	14	13	12	11	10	9	8	7	6	5	4	3	2	1	0
R	IEC	0	DNFB	IDPI	IHLCK	IDCM	0	ICINVA	IDSP	0	EUSP	DF	0	0	0	0
W																
Reset	0	0	0	0	0	0	0	0	0	0	0	0	0	0	0	
Reg Addr	0x002															

Figure 7-8. Cache Control Register (CACR)

[Table 7-4](#) describes CACR fields. Note that some implementations may include fields not defined here; consult the part-specific documentation.

Table 7-4. CACR Field Descriptions

Bits	Name	Description
31	DEC	Enable data cache. 0 Cache disabled. The data cache is not operational, but data and tags are preserved. 1 Cache enabled.
30	DW	Data default write-protect. For normal operations that do not hit in the RAMBARs or ACRs, this field defines write-protection. See Section 7.9.1, "Caching Modes." 0 Not write protected. 1 Write protected. Write operations cause an access error exception.

Table 7-4. CACR Field Descriptions (Continued)

Bits	Name	Description
29	DESB	<p>Enable data store buffer. Affects the precision of transfers.</p> <p>0 Imprecise-mode, write-through or cache-inhibited writes bypass the store buffer and generate bus cycles directly. Section 7.9.5.2.1, “Push and Store Buffers,” describes the associated performance penalty.</p> <p>1 The four-entry FIFO store buffer is enabled; to maximize performance, this buffer defers pending imprecise-mode, write-through or cache-inhibited writes.</p> <p>Precise-mode, cache-inhibited accesses always bypass the store buffer. Precise and imprecise modes are described in Section 7.9.2, “Cache-Inhibited Accesses.”</p>
28	DDPI	<p>Disable CPUSHL invalidation.</p> <p>0 Normal operation. A CPUSHL instruction causes the selected line to be pushed if modified, then invalidated.</p> <p>1 No clear operation. A CPUSHL instruction causes the selected line to be pushed if modified, then left valid.</p>
27	DHLCK	<p>Half-data cache lock mode</p> <p>0 Normal operation. The cache allocates the lowest invalid way. If all ways are valid, the cache allocates the way pointed at by the counter and then increments this counter.</p> <p>1 Half-cache operation. The cache allocates to the lower invalid way of levels 2 and 3; if both are valid, the cache allocates to Way 2 if the high-order bit of the round-robin counter is zero; otherwise, it allocates Way 3 and increments the round-robin counter. This locks the contents of ways 0 and 1. Ways 0 and 1 are still updated on write hits and may be pushed or cleared by specific cache push/invalidate instructions.</p>
26–25	DDCM	<p>Default data cache mode. For normal operations that do not hit in the RAMBARs, ROMBARs, or ACRs, this field defines the effective cache mode.</p> <p>00 Cacheable write-through imprecise</p> <p>01 Cacheable copyback</p> <p>10 Cache-inhibited precise</p> <p>11 Cache-inhibited imprecise</p> <p>Precise and imprecise accesses are described in Section 7.9.2, “Cache-Inhibited Accesses.”</p>
24	DCINVA	<p>Data cache invalidate all. Writing a 1 to this bit initiates entire cache invalidation. Once invalidation is complete, this bit automatically returns to 0; it is not necessary to clear it explicitly. Note the caches are not cleared on power-up or normal reset, as shown in Figure 7-4.</p> <p>0 No invalidation is performed.</p> <p>1 Initiate invalidation of the entire data cache. The cache controller sequentially clears V and M bits in all sets. Subsequent data accesses stall until the invalidation is finished, at which point, this bit is automatically cleared. In copyback mode, the cache should be flushed using a CPUSHL instruction before setting this bit.</p>
23	DDSP	<p>Data default supervisor-protect. For normal operations that do not hit in the RAMBAR, ROMBAR, or ACRs, this field defines supervisor-protection</p> <p>0 Not supervisor protected</p> <p>1 Supervisor protected. User operations cause a fault</p>
22–20	—	Reserved, should be cleared.
19	BEC	<p>Enable branch cache.</p> <p>0 Branch cache disabled. This may be useful if code is unlikely to be reused.</p> <p>1 Branch cache enabled.</p>

Table 7-4. CACR Field Descriptions (Continued)

Bits	Name	Description
18	BCINVA	Branch cache invalidate. Invalidation occurs when this bit is written as a 1. Note that branch caches are not cleared on power-up or normal reset. 0 No invalidation is performed. 1 Initiate an invalidation of the entire branch cache.
17–16	—	Reserved, should be cleared.
15	IEC	Enable instruction cache 0 Instruction cache disabled. All instructions and tags in the cache are preserved. 1 Instruction cache enabled.
14	—	Reserved, should be cleared.
13	DNFB	Default cache-inhibited fill buffer 0 Fill buffer does not store cache-inhibited instruction accesses (16 or 32 bits). 1 Fill buffer can store cache-inhibited accesses. The buffer is used only for normal (TT = 0) instruction reads of a cache-inhibited region. Instructions are loaded into the buffer by a burst access (line fill). They stay in the buffer until they are displaced; subsequent accesses may not appear on the external bus. Setting DNFB can cause a coherency problem for self-modifying code. If a cache-inhibited access uses the buffer while DNFB = 1, instructions remain valid in the buffer until a cache-invalidate-all instruction, another cache-inhibited burst, or a miss that initiates a fill. A write to the line in the fill goes to the external bus without updating or invalidating the buffer. Subsequent reads of that written data are serviced by the fill buffer and receive stale information. Note: Motorola discourages the use of self-modifying code.
12	IDPI	Instruction CPUSHL invalidate disable. 0 Normal operation. A CPUSHL instruction causes the selected line to be invalidated. 1 No clear operation. A CPUSHL instruction causes the selected line to be left valid.
11	IHLCK	Instruction cache half-lock. 0 Normal operation. The cache allocates to the lowest invalid way; if all ways are valid, the cache allocates to the way pointed at by the round-robin counter and then increments this counter. 1 Half cache operation. The cache allocates to the lowest invalid way of ways 2 and 3; if both of these ways are valid, the cache allocates to way 2 if the high-order bit of the round-robin counter is zero; otherwise, it allocates way 3 and then increments the round-robin counter. This locks the contents of ways 0 and 1. Ways 0 and 1 are still updated on write hits and may be pushed or cleared by specific cache push/invalidate instructions.
10	IDCM	Instruction default cache mode. For normal operations that do not hit in the RAMBARs or ACRs, this field defines the effective cache mode. 0 Cacheable 1 Cache-inhibited
9	—	Reserved, should be cleared.
8	ICINVA	Instruction cache invalidate. Invalidation occurs when this bit is written as a 1. Note the caches are not cleared on power-up or normal reset. 0 No invalidation is performed. 1 Initiate invalidation of instruction cache. The cache controller sequentially clears all V bits. Subsequent local memory bus accesses stall until invalidation completes, at which point ICINVA is cleared automatically without software intervention. For copyback mode, use CPUSHL before setting ICINVA.

Table 7-4. CACR Field Descriptions (Continued)

Bits	Name	Description
7	IDSP	Default instruction supervisor protection bit. For normal operations that do not hit in the RAMBAR, ROMBAR, or ACRs, this field defines supervisor-protection. 0 Not supervisor protected 1 Supervisor protected. User operations cause a fault
6	—	Reserved, should be cleared.
5	EUSP	Enable USP. Enables the use of the user stack pointer. 0 USP disabled. Core uses a single stack pointer. 1 USP enabled. Core uses separate supervisor and user stack pointers.
4	DF	Disable FPU. Determines whether the FPU is enabled. See Section 6.1.1, “Overview.” 0 FPU enabled. 1 FPU disabled
3–0	—	Reserved, should be cleared.

7.10.2 Access Control Registers (ACR0–ACR3)

The ACRs, [Figure 7-9](#), assign control attributes, such as cache mode and write protection, to specified memory regions. ACR0 and ACR1 control data attributes; ACR2 and ACR3 control instruction attributes. Registers are accessed with the MOVEC instruction with the Rc encodings in [Figure 7-9](#).

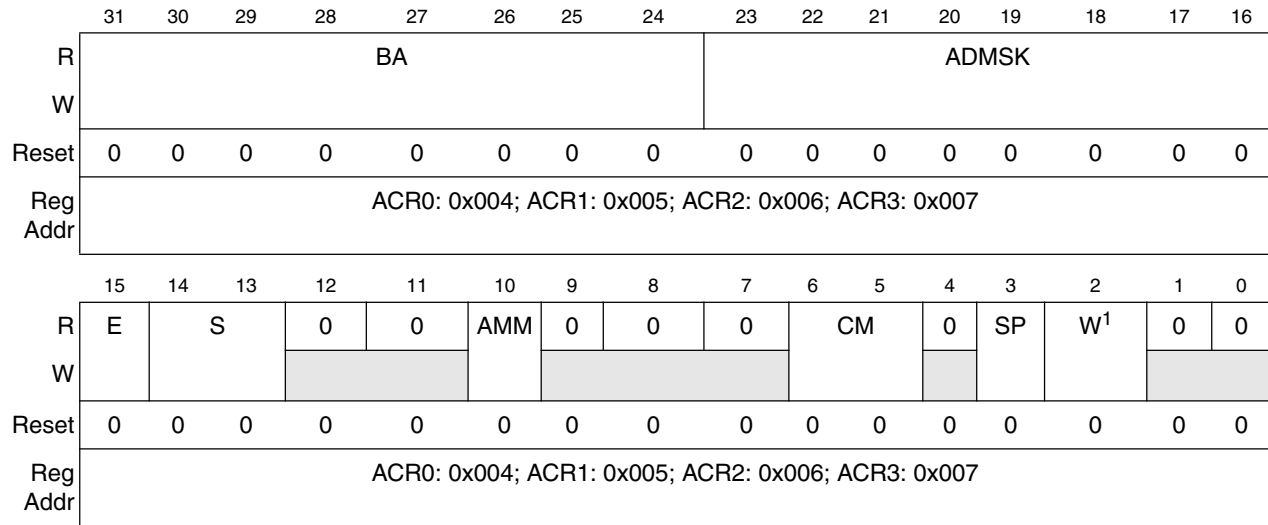
For overlapping data regions, ACR0 takes priority; ACR2 takes priority for overlapping instruction regions. Data transfers to and from these registers are longword transfers.

NOTE

The MBAR region should be mapped as cache-inhibited through an ACR or the CACR.

NOTE

ACR0–ACR3 is read/write by the debug module.



¹ Reserved in ACR2 and ACR3.

Figure 7-9. Access Control Register Format (ACR_n)

Table 7-5 describes ACR_n fields.

Table 7-5. ACR_n Field Descriptions

Bits	Name	Description
31–24	BA	Base address. Compared with address bits A[31:24]. Eligible addresses that match are assigned the access control attributes of this register.
23–16	ADMSK	Address mask. Setting a mask bit causes the corresponding address base bit to be ignored. The low-order mask bits can be set to define contiguous regions larger than 16 Mbytes. The mask can define multiple noncontiguous regions of memory.
15	E	Enable. Enables or disables the other ACR _n bits. 0 Access control attributes disabled 1 Access control attributes enabled
14–13	S	Supervisor mode. Specifies whether only user or supervisor accesses are allowed in this address range or if the type of access is a don't care. 00 Match addresses only in user mode 01 Match addresses only in supervisor mode 1x Execute cache matching on all accesses
12–11	—	Reserved, should be cleared.
10	AMM	Address mask mode. 0 The ACR hit function allows control of a 16 Mbytes or greater memory region. 1 The upper 8 bits of the address and ACR are compared without a mask function. Address bits [23:20] of the address and ACR are compared using ACR[19:16] as a mask, allowing control of a 1–16 Mbyte memory region.
9–7	—	Reserved; should be cleared.

Table 7-5. ACR n Field Descriptions (Continued)

Bits	Name	Description
6–5	CM	Cache mode. Selects the cache mode and access precision. Precise and imprecise modes are described in Section 7.9.2, “Cache-Inhibited Accesses.” 00 Cacheable, write-through 01 Cacheable, copyback 10 Cache-inhibited, precise 11 Cache-inhibited, imprecise
4	—	Reserved, should be cleared.
3	SP	Supervisor protect. 0 Indicates supervisor and user mode access allowed, reset value is 0 1 Indicates only supervisor access is allowed to this address space and attempted user mode accesses generate an access error exception
2	W	ACR0/ACR1 only. Write protect. Selects the write privilege of the memory region. ACR2[W] and ACR3[W] are reserved. 0 Read and write accesses permitted 1 Write accesses not permitted
1–0	—	Reserved, should be cleared.

7.11 Cache Management

The cache can be enabled and configured by using a MOVEC instruction to access CACR. A hardware reset clears CACR, disabling the cache and removing all configuration information; however, reset does not affect the tags, state information, and data in the cache.

Set CACR[DCINVA,ICINVA] to invalidate the caches before enabling them.

The privileged CPUSHL instruction supports cache management by selectively pushing and invalidating cache lines. The address register used with CPUSHL directly addresses the cache’s directory array. The CPUSHL instruction flushes a cache line.

The value of CACR[DDPI,IDPI] determines whether CPUSHL invalidates a cache line after it is pushed. To push the entire cache, implement a software loop to index through all sets and through each of the four lines within each set (a total of 512 lines for the data cache and 1024 lines for the instruction cache). The state of CACR[DEC,IEC] does not affect the operation of CPUSHL or CACR[DCINVA,ICINVA]. Disabling a cache by setting CACR[IEC] or CACR[DEC] makes the cache nonoperational without affecting tags, state information, or contents.

The contents of An used with CPUSHL specify cache row and line indexes. This differs from the 68K family where a physical address is specified. [Figure 7-11](#) shows the An format for the data cache. The contents of An used with CPUSHL specify cache row and line indexes.

[Figure 7-10](#) shows the An format for the data cache.

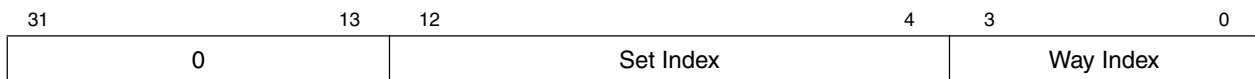


Figure 7-10. An Format (Data Cache)

[Figure 7-11](#) shows the An format for the instruction cache.

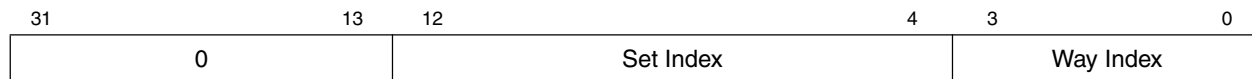


Figure 7-11. An Format (Instruction Cache)

The following code example flushes the entire data cache:

```

_cache_disable:
    nop
    move.w    #0x2700,SR    ;mask off IRQs
    jsr      _cache_flush  ;flush the cache completely
    clr.l    d0
    movec    d0,ACR0       ;ACR0 off
    movec    d0,ACR1       ;ACR1 off
    move.l   #0x01000000,d0 ;Invalidate and disable cache
    movec    d0,CACR
    rts

_cache_flush:
    nop                ;synchronize--flush store buffer
    moveq.l   #0,d0     ;initialize way counter
    moveq.l   #0,d1     ;initialize set counter
    move.l    d0,a0     ;initialize cpushl pointer

setloop:
    cpushl   dc,(a0)    ;push cache line a0
    add.l    #0x0010,a0 ;increment set index by 1
    addq.l   #1,d1      ;increment set counter
    cmpi.l   #511,d1    ;are sets for this way done?
    bne     setloop

    moveq.l   #0,d1     ;set counter to zero again
    addq.l   #1,d0     ;increment to next way
    move.l    d0,a0     ;set = 0, way = d0
    cmpi.l   #4,d0     ;flushed all the ways?
    bne     setloop
    rts

```

The following CACR loads assume the instruction cache has been invalidated, the default instruction cache mode is cacheable, and the default data cache mode is copyback.

```

dataCacheLoadAndLock:
    move.l   #0xa3080800,d0; enable and invalidate data cache ...
    movec    d0,cacr ; ... in the CACR

```

The following code preloads half of the data cache (16 Kbytes). It assumes a contiguous block of data is to be mapped into the data cache, starting at a 0-modulo-16K address.

```

    move.l    #1024,d0 ;256 16-byte lines in 16K space
    lea      data_,a0 ; load pointer defining data area
dataCacheLoop:
    tst.b    (a0)      ;touch location + load into data cache
    lea      16(a0),a0;increment address to next line
    subq.l   #1,d0     ;decrement loop counter
    bne.b    dataCacheLoop;if done, then exit, else continue

; A 16K region has been loaded into ways 0 and 1 of the 32K data cache. lock it!

    move.l   #0xaa088000,d0;set the data cache lock bit ...
    movec    d0,cacr  ; ... in the CACR
    rts

    align    16

```

The following CACR loads assume the data cache has been invalidated, the default instruction cache mode is cacheable and the default operand cache mode is copyback.

Note that this function must be mapped into a cache inhibited or SRAM space, or these text lines will be prefetched into the instruction cache, possibly displacing some of the 8-Kbyte space being explicitly fetched.

```

instructionCacheLoadAndLock:

    move.l   #0xa2088100,d0;enable and invalidate the instruction
    movec    d0,cacr  ;cache in the CACR

```

The following code segments preload half of the instruction cache (8 Kbytes). It assumes a contiguous block of data is to be mapped, starting at a 0-modulo-8K address

```

    move.l   #512,d0 ;512 16-byte lines in 8K space
    lea      code_,a0 ;load pointer defining code area
instCacheLoop:
    intouch (a0)      ;touch location + load into instruction cache

; Note in the assembler we use, there is no INTOUCH opcode. The following
; is used to produce the required binary representation

    cpushl   #nc,(a0) ;touch location + load into
                ;instruction cache
    lea      16(a0),a0;increment address to next line
    subq.l   #1,d0     ;decrement loop counter
    bne.b    instCacheLoop;if done, then exit, else continue

; A 8K region was loaded into levels 0 and 1 of the 16-Kbyte instruction cache. ; lock it!

    move.l   #0xa2088800,d0;set the instruction cache lock bit
    movec    d0,cacr  ;in the CACR
    rts

```

7.12 Cache Operation Summary

This section gives operational details for the cache and presents instruction and data cache-line state diagrams.

7.12.1 Instruction Cache State Transitions

Because the instruction cache does not support writes, it supports fewer operations than the data cache. As [Figure 7-12](#) shows, an instruction cache line can be in one of two states, valid or invalid. Modified state is not supported. Transitions are labeled with a capital letter indicating the previous state and a number indicating the specific case listed in [Table 7-6](#). These numbers correspond to the equivalent operations on data caches, described in [Section 7.12.2, “Data Cache State Transitions.”](#)

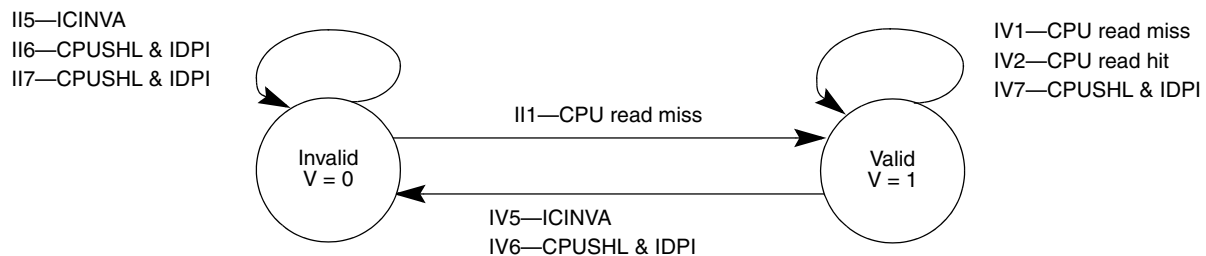


Figure 7-12. Instruction Cache Line State Diagram

[Table 7-6](#) describes the instruction cache state transitions shown in [Figure 7-12](#).

Table 7-6. Instruction Cache Line State Transitions

Access	Current State			
	Invalid (V = 0)		Valid (V = 1)	
Read miss	II1	Read line from memory and update cache; supply data to processor; go to valid state.	IV1	Read new line from memory and update cache; supply data to processor; stay in valid state.
Read hit	II2	Not possible	IV2	Supply data to processor; stay in valid state.
Write miss	II3	Not possible	IV3	Not possible
Write hit	II4	Not possible	IV4	Not possible
Cache invalidate	II5	No action; stay in invalid state.	IV5	No action; go to invalid state.
Cache push	II6, II7	No action; stay in invalid state.	IV6	No action; go to invalid state.
			IV7	No action; stay in valid state.

7.12.2 Data Cache State Transitions

Using the V and M bits, the data cache supports a line-based protocol allowing individual cache lines to be invalid, valid, or modified. To maintain memory coherency, the data cache supports both write-through and copyback modes, specified by the corresponding ACR[CM], or CACR[DDCM] if no ACR matches.

Read or write misses to copyback regions cause the cache controller to read a cache line from memory into the cache. If available, tag and data from memory update an invalid line in the selected set. The line state then changes from invalid to valid by setting the V bit. If all lines in the row are already valid or modified, the pseudo-round-robin replacement algorithm selects one of the four lines and replaces the tag and data. Before replacement, modified lines are temporarily buffered and later copied back to memory after the new line has been read from memory.

Figure 7-13 shows the three possible data cache line states and possible processor-initiated transitions for memory configured as copyback. Transitions are labeled with a capital letter indicating the previous state and a number indicating the specific case; see Table 7-7.

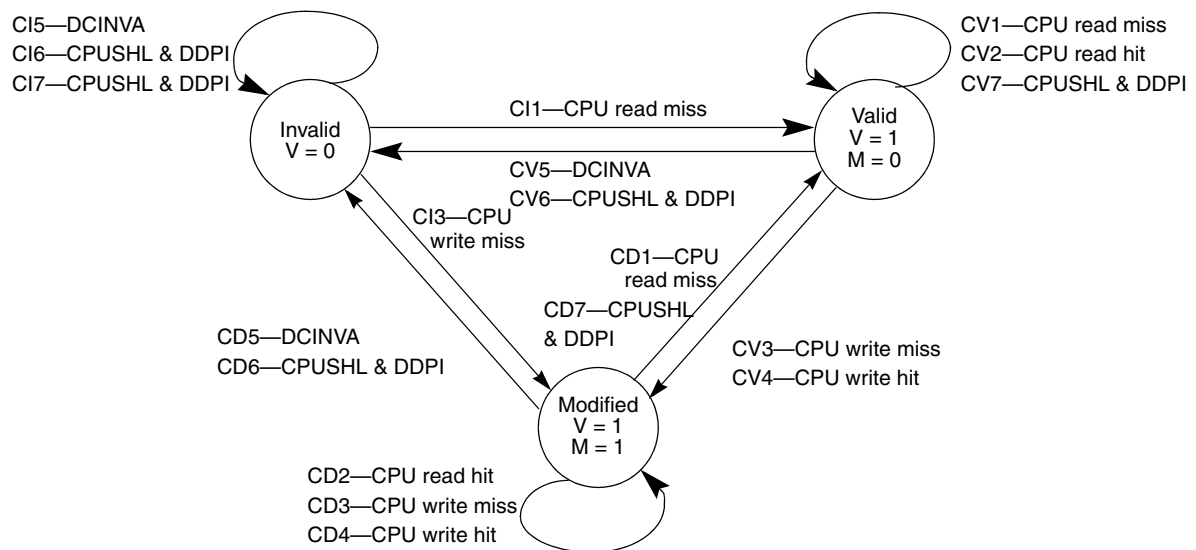


Figure 7-13. Data Cache Line State Diagram—Copyback Mode

Figure 7-14 shows the two possible states for a cache line in write-through mode.

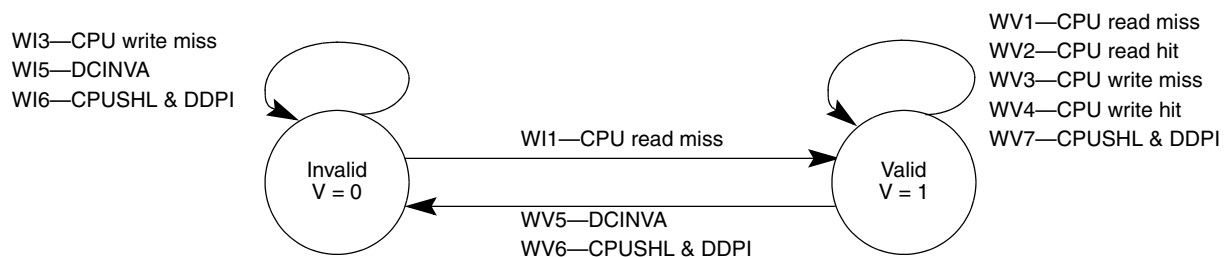


Figure 7-14. Data Cache Line State Diagram—Write-Through Mode

Table 7-7 describes data cache line transitions and the accesses that cause them.

Table 7-7. Data Cache Line State Transitions

Access	Current State					
	Invalid (V = 0)		Valid (V = 1, M = 0)		Modified (V = 1, M = 1)	
Read miss	(C,W)I1	Read line from memory and update cache; supply data to processor; go to valid state.	(C,W)V1	Read new line from memory and update cache; supply data to processor; stay in valid state.	CD1	Push modified line to buffer; read new line from memory and update cache; supply data to processor; write push buffer contents to memory; go to valid state.
Read hit	(C,W)I2	Not possible.	(C,W)V2	Supply data to processor; stay in valid state.	CD2	Supply data to processor; stay in modified state.
Write miss (copy-back)	CI3	Read line from memory and update cache; write data to cache; go to modified state.	CV3	Read new line from memory and update cache; write data to cache; go to modified state.	CD3	Push modified line to buffer; read new line from memory and update cache; write push buffer contents to memory; stay in modified state.
Write miss (write-through)	WI3	Write data to memory; stay in invalid state.	WV3	Write data to memory; stay in valid state.	WD3	Write data to memory; stay in modified state. Cache mode changed for the region corresponding to this line. To avoid this state, execute a CPUSHL instruction or set CACR[DCINVA,ICINVA] before switching modes.
Write hit (copy-back)	CI4	Not possible.	CV4	Write data to cache; go to modified state.	CD4	Write data to cache; stay in modified state.
Write hit (write-through)	WI4	Not possible.	WV4	Write data to memory and to cache; stay in valid state.	WD4	Write data to memory and to cache; go to valid state. Cache mode changed for the region corresponding to this line. To avoid this state, execute a CPUSHL instruction or set CACR[DCINVA,ICINVA] before switching modes.
Cache invalidate	(C,W)I5	No action; stay in invalid state.	(C,W)V5	No action; go to invalid state.	CD5	No action (modified data lost); go to invalid state.
Cache push	(C,W)I6 (C,W)I7	No action; stay in invalid state.	(C,W)V6	No action; go to invalid state.	CD6	Push modified line to memory; go to invalid state.
			(C,W)V7	No action; stay in valid state.	CD7	Push modified line to memory; go to valid state.

The following tables present the same information as [Table 7-7](#), organized by the current state of the cache line. In [Table 7-8](#) the current state is invalid.

Table 7-8. Data Cache Line State Transitions (Current State Invalid)

Access	Response	
Read miss	(C,W)I1	Read line from memory and update cache; supply data to processor; go to valid state.
Read hit	(C,W)I2	Not possible
Write miss (copyback)	CI3	Read line from memory and update cache; write data to cache; go to modified state.
Write miss (write-through)	WI3	Write data to memory; stay in invalid state.
Write hit (copyback)	CI4	Not possible
Write hit (write-through)	WI4	Not possible
Cache invalidate	(C,W)I5	No action; stay in invalid state.
Cache push	(C,W)I6	No action; stay in invalid state.
Cache push	(C,W)I7	No action; stay in invalid state.

In [Table 7-9](#) the current state is valid.

Table 7-9. Data Cache Line State Transitions (Current State Valid)

Access	Response	
Read miss	(C,W)V1	Read new line from memory and update cache; supply data to processor; stay in valid state.
Read hit	(C,W)V2	Supply data to processor; stay in valid state.
Write miss (copyback)	CV3	Read new line from memory and update cache; write data to cache; go to modified state.
Write miss (write-through)	WV3	Write data to memory; stay in valid state.
Write hit (copyback)	CV4	Write data to cache; go to modified state.
Write hit (write-through)	WV4	Write data to memory and to cache; stay in valid state.
Cache invalidate	(C,W)V5	No action; go to invalid state.

Table 7-9. Data Cache Line State Transitions (Current State Valid) (Continued)

Access	Response	
Cache push	(C,W)V6	No action; go to invalid state.
Cache push	(C,W)V7	No action; stay in valid state.

In [Table 7-10](#) the current state is modified.

Table 7-10. Data Cache Line State Transitions (Current State Modified)

Access	Response	
Read miss	CD1	Push modified line to buffer; read new line from memory and update cache; supply data to processor; write push buffer contents to memory; go to valid state.
Read hit	CD2	Supply data to processor; stay in modified state.
Write miss (copyback)	CD3	Push modified line to buffer; read new line from memory and update cache; write push buffer contents to memory; stay in modified state.
Write miss (write-through)	WD3	Write data to memory; stay in modified state. Cache mode changed for the region corresponding to this line. To avoid this state, execute a CPUSHL instruction or set CACR[DCINVA,ICINVA] before switching modes.
Write hit (copyback)	CD4	Write data to cache; stay in modified state.
Write hit (write-through)	WD4	Write data to memory and to cache; go to valid state. Cache mode changed for the region corresponding to this line. To avoid this state, execute a CPUSHL instruction or set CACR[DCINVA,ICINVA] before switching modes.
Cache invalidate	CD5	No action (modified data lost); go to invalid state.
Cache push	CD6	Push modified line to memory; go to invalid state.
Cache push	CD7	Push modified line to memory; go to valid state.

7.13 Cache Initialization Code

The following example sets up the cache for FLASH or ROM space only.

```
move.l  #0xA30C8100,D0          //enable cache, invalidate it,  
                                //default mode is cache-inhibited imprecise  
movec   D0, CACR  
  
move.l  #0xFF00C000,D0          //cache FLASH space, enable,  
                                //ignore FC2, cacheable, writethrough  
movec   D0,ACR0
```

Chapter 8

Debug Support

8.1 Introduction

This chapter describes the Revision D enhanced hardware debug support in the ColdFire Version 4. This revision of the ColdFire debug architecture encompasses earlier revisions. An expanded set of debug functionality is defined as Revision B (or Rev. B). The further enhanced debug architecture implemented in the Version 4 ColdFire is known as Revision C (or Rev. C). The addition of the memory management unit (MMU) in the Version 4e ColdFire requires corresponding enhancements to the ColdFire debug functionality, resulting in Revision D.

8.1.1 Overview

The debug module interface is shown in [Figure 8-1](#).

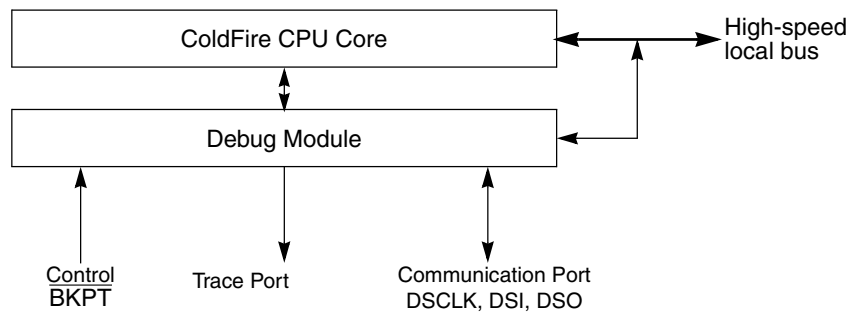


Figure 8-1. Processor/Debug Module Interface

Debug support is divided into three areas:

- Real-time trace support: The ability to determine the dynamic execution path through an application is fundamental for debugging. The ColdFire solution implements an 8-bit parallel output bus that reports processor execution status and data to an external BDM emulator system. See [Section 8.3, “Real-Time Trace Support.”](#)
- Background debug mode (BDM): Provides low-level debugging in the ColdFire processor complex. In BDM, the processor complex is halted and a variety of commands can be sent to the processor to access memory and registers. The external BDM emulator uses a three-pin, serial, full-duplex channel. See [Section 8.5, “Background Debug Mode \(BDM\),”](#) and [Section 8.4, “Register Definition.”](#)
- Real-time debug support: BDM requires the processor to be halted, which many real-time embedded applications cannot do. Debug interrupts let real-time systems execute a unique service routine that can quickly save key register and variable contents and return the system to normal operation without halting. External development systems can access saved data, because the hardware supports concurrent operation of the processor and BDM-initiated commands. In addition, the option is provided to allow interrupts to occur. See [Section 8.6, “Real-Time Debug Support.”](#)

The Version 2 ColdFire core implemented the original debug architecture, now called Revision A. Based on feedback from customers and third-party developers, enhancements have been added to succeeding

generations of ColdFire cores. For Revision A, CSR[HRL] is 0. See [Section 8.4.5, “Configuration/Status Register \(CSR\).”](#)

The Version 3 core implements Revision B of the debug architecture, offering more flexibility for configuring the hardware breakpoint trigger registers and removing the restrictions involving concurrent BDM processing while hardware breakpoint registers are active. For Revision B, CSR[HRL] is 1.

Revision C of the debug architecture more than doubles the on-chip breakpoint registers and provides an ability to interrupt debug service routines. For Revision C, CSR[HRL] is 2.

Differences between Revision B and C are summarized as follows:

- Debug Revision B has separate PST[3:0] and DDATA[3:0] signals.
- Debug Revision C adds breakpoint registers and supports normal interrupt request service during debug. It combines debug signals into PSTDDATA[7:0].

The addition of the memory management unit (MMU) to the baseline architecture requires corresponding enhancements to the ColdFire debug functionality, resulting in Revision D. For Revision D, the revision level bit, CSR[HRL], is 3.

With software support, the MMU can provide a demand-paged, virtual address environment. To support debugging in this virtual environment, the debug enhancements are primarily related to the expansion of the virtual address to include the 8-bit address space identifier (ASID). Conceptually, the virtual address is expanded to a 40-bit value: the 8-bit ASID plus the 32-bit address.

The expansion of the virtual address affects two major debug functions:

- The ASID is optionally included in the specification of the hardware breakpoint registers. As an example, the four PC breakpoint registers are each expanded by 8 bits, so that a specific ASID value may be programmed as part of the breakpoint instruction address. Likewise, each operand address/data breakpoint register is expanded to include an ASID value. Finally, new control registers define if and how the ASID is to be included in the breakpoint comparison trigger logic.
- The debug module implements the concept of ownership trace in which the ASID value may be optionally displayed as part of the real-time trace functionality. When enabled, real-time trace displays instruction addresses on every change-of-flow instruction that is not absolute or PC-relative. For Rev. D, this instruction address display optionally includes the contents of the ASID, thus providing the complete instruction virtual address on these instructions. Additionally when a Sync_PC serial BDM command is loaded from the external development system, the processor optionally displays the complete virtual instruction address, including the 8-bit ASID value.

In addition to these ASID-related changes, the new MMU control registers are accessible by using serial BDM commands. The same BDM access capabilities are also provided for the EMAC and FPU programming models.

Finally, a new serial BDM command is implemented (FORCE_TA) to assist debugging when a software error generates an incorrect memory address that hangs the external bus. The new BDM command attempts to break this condition by forcing a bus termination.

8.2 Signal Descriptions

[Table 8-1](#) describes debug module signals. All ColdFire debug signals are unidirectional and related to a rising edge of the processor core’s clock signal. The standard 26-pin debug connector is shown in [Section 8.9, “Freescale-Recommended BDM Pinout.”](#)

Table 8-1. Debug Module Signals

Signal	Description
DSCLK	Development Serial Clock-Internally synchronized input. (The logic level on DSCLK is validated if it has the same value on two consecutive rising bus clock edges.) Clocks the serial communication port to the debug module during packet transfers. Maximum frequency is PSTCLK/5. At the synchronized rising edge of DSCLK, the data input on DSI is sampled and DSO changes state.
DSI	Development Serial Input -Internally synchronized input that provides data input for the serial communication port to the debug module, once the DSCLK has been seen as high (logic 1).
DSO	Development Serial Output -Provides serial output communication for debug module responses. DSO is registered internally. The output is delayed from the validation of DSCLK high.
$\overline{\text{BKPT}}$	Breakpoint - Input used to request a manual breakpoint. Assertion of $\overline{\text{BKPT}}$ puts the processor into a halted state after the current instruction completes. Halt status is reflected on processor status/debug data signals (PSTDDATA[7:0]) as the value 0xF. If CSR[BKD] is set (disabling normal BKPT functionality), asserting $\overline{\text{BKPT}}$ generates a debug interrupt exception in the processor.
PSTCLK	Processor Status Clock - Half-speed version of the processor clock. Its rising edge appears in the center of the two-processor-cycle window of valid PSTDDATA output. See Figure 8-2. PSTCLK indicates when the development system should sample PSTDDATA values. If real-time trace is not used, setting CSR[PCD] keeps PSTCLK and PSTDDATA outputs from toggling without disabling triggers. Non-quiescent operation can be reenabled by clearing CSR[PCD], although the external development systems must resynchronize with the PSTDDATA output. PSTCLK starts clocking only when the first non-zero PST value (0xC, 0xD, or 0xF) occurs during system reset exception processing. Table 8-4 describes PST values.
PSTDDATA[7:0]	Processor Status/Debug Data - These outputs, which change on the negative edge of PSTCLK, indicate both processor status and captured address and data values and are discussed more thoroughly in Section 8.2.1, "Processor Status/Debug Data (PSTDDATA[7:0])."

Figure 8-2 shows PSTCLK timing with respect to PSTDDATA.

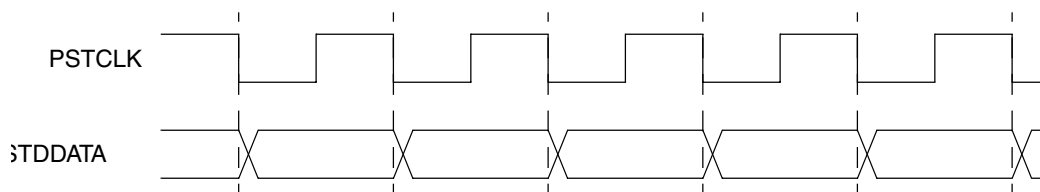


Figure 8-2. PSTCLK Timing

8.2.1 Processor Status/Debug Data (PSTDDATA[7:0])

Processor status data outputs are used to indicate both processor status and captured address and data values. They operate at half the processor's frequency. Given that real-time trace information appears as a sequence of 4-bit data values, there are no alignment restrictions; that is, the processor status (PST) values and operands may appear on either nibble of PSTDDATA[7:0]. The upper nibble (PSTDDATA[7:4]) is the more significant and yields values first.

CSR controls capturing of data values to be presented on PSTDDATA. Executing the WDDATA instruction captures data that is displayed on PSTDDATA too. These signals are updated each processor cycle and display two values at a time for two processor clock cycles. Table 8-2 shows the PSTDDATA

output for the processor's sequential execution of single-cycle instructions (A, B, C, D...). Cycle counts are shown relative to processor frequency. These outputs indicate the current processor pipeline status and are not related to the current bus transfer.

Table 8-2. PSTDDATA: Sequential Execution of Single-Cycle Instructions

Cycles	PSTDDATA[7:0]
T+0, T+1	{PST for A, PST for B}
T+2, T+3	{PST for C, PST for D}
T+4, T+5	{PST for E, PST for F}

The signal timing for the example in [Table 8-2](#) is shown in [Figure 8-3](#).

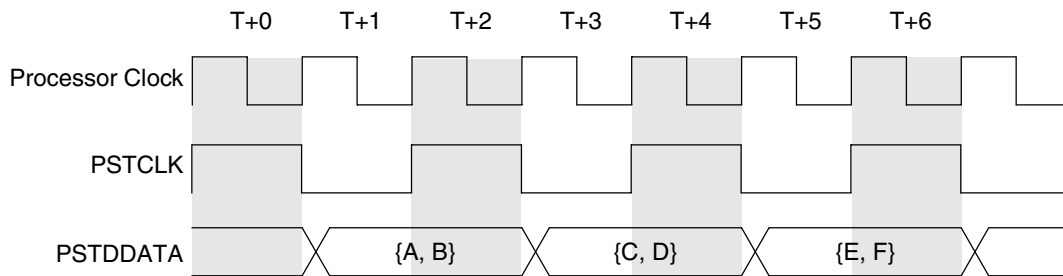


Figure 8-3. PSTDDATA: Single-Cycle Instruction Timing

[Table 8-3](#) shows the case where a PSTDDATA module captures a memory operand on a simple load instruction: `mov.l <mem>,Rx`.

Table 8-3. PSTDDATA: Data Operand Captured

Cycle	PSTDDATA[7:0]
T	{PST for mov.l, PST marker for captured operand} = {0x1, 0xB}
T+1	{0x1, 0xB}
T+2	{Operand[3:0], Operand[7:4]}
T+3	{Operand[3:0], Operand[7:4]}
T+4	{Operand[11:8], Operand[15:12]}
T+5	{Operand[11:8], Operand[15:12]}
T+6	{Operand[19:16], Operand[23:20]}
T+7	{Operand[19:16], Operand[23:20]}
T+8	{Operand[27:24], Operand[31:28]}
T+9	{Operand[27:24], Operand[31:28]}
T+10	(PST for next instruction)
T+11	(PST for next instruction,...)

NOTE

A PST marker and its data display are sent contiguously. Except for this transmission, the IDLE status (0x0) can appear anytime. Again, given that real-time trace information appears as a sequence of 4-bit values, there are no alignment restrictions. That is, PST values and operands may appear on either nibble of PSTDDATA.

8.3 Real-Time Trace Support

Real-time trace, which defines the dynamic execution path, is a fundamental debug function. The ColdFire solution is to include a parallel output port providing encoded processor status and data to an external development system. This 8-bit port is partitioned into two consecutive 4-bit nibbles. Each nibble can either transmit information concerning the processor's execution status (PST) or debug data (DDATA). The processor status may not be related to the current bus transfer, due to the decoupling FIFOs.

External development systems can use PSTDDATA outputs with an external image of the program to completely track the dynamic execution path. This tracking is complicated by any change in flow, especially when branch target address calculation is based on the contents of a program-visible register (variant addressing). PSTDDATA outputs can be configured to display the target address of such instructions in sequential nibble increments across multiple processor clock cycles, as described in [Section 8.3.1, "Begin Execution of Taken Branch \(PST = 0x5\)."](#) Four 32-bit storage elements form a FIFO buffer connecting the processor's high-speed local bus to the external development system through PSTDDATA[7:0]. The buffer captures branch target addresses and certain data values for eventual display on the PSTDDATA port, two nibbles at a time starting with the least significant bit (lsb).

Execution speed is affected only when three storage elements contain valid data to be dumped to the PSTDDATA port. This occurs only when two values are captured simultaneously in a read-modify-write operation. The core stalls until two FIFO entries are available.

[Table 8-4](#) shows the encoding of these signals.

Table 8-4. Processor Status Encoding

PST[3:0]		Definition
Hex	Binary	
0x0	0000	Continue execution. Many instructions execute in one processor cycle. If an instruction requires more clock cycles, subsequent clock cycles are indicated by driving PSTDDATA outputs with this encoding.
0x1	0001	Begin execution of one instruction. For most instructions, this encoding signals the first clock cycle of an instruction's execution. Certain change-of-flow opcodes, plus the PULSE and WDDATA instructions, generate different encodings.
0x2	0010	Begin execution of two instructions. For superscalar instruction dispatches, this encoding signals the first clock cycle of the simultaneous instructions' execution.
0x3	0011	Entry into user-mode. Signaled after execution of the instruction that caused the ColdFire processor to enter user mode. If the display of the ASID is enabled (CSR[3] = 1), the following occurs: <ul style="list-style-type: none"> • The 8-bit ASID follows the instruction address; that is, the PSTDDATA sequence is {0x3, 0x5, marker, instruction address, 0x8, ASID}, where 0x8 is the ASID data marker. • Whenever the current ASID is loaded by the privileged MOVEC instruction, the ASID is displayed on PSTDDATA. The resulting PSTDDATA sequence for the MOVEC instruction is then {0x1, 0x8, ASID}, where the 0x8 is the data marker for the ASID.

Table 8-4. Processor Status Encoding (Continued)

PST[3:0]		Definition
Hex	Binary	
0x4	0100	Begin execution of PULSE and WDDATA instructions. PULSE defines logic analyzer triggers for debug or performance analysis. WDDATA lets the core write any operand (byte, word, or longword) directly to the PSTDDATA port, independent of debug module configuration. When WDDATA is executed, a value of 0x4 is signaled, followed by the appropriate marker, and then the data transfer on the PSTDDATA port. Transfer length depends on the WDDATA operand size.
0x5	0101	Begin execution of taken branch or SYNC_PC command. For some opcodes, a branch target address may be displayed on PSTDDATA depending on the CSR settings. CSR also controls the number of address bytes displayed, indicated by the PST marker value preceding the DDATA nibble that begins the data output. See Section 8.3.1, “Begin Execution of Taken Branch (PST = 0x5).” Also indicates that the SYNC_PC command has been issued.
0x6	0110	Begin execution of instruction plus a taken branch. The processor completes execution of a taken conditional branch instruction and simultaneously starts executing the target instruction. This is achieved through branch folding.
0x7	0111	Begin execution of return from exception (RTE) instruction.
0x8–0xB	1000–1011	Indicates the number of bytes to be displayed on the DDATA port on subsequent clock cycles. The value is driven onto the PSTDDATA port one cycle before the data is displayed. 0x8 Begin 1-byte transfer on PSTDDATA. 0x9 Begin 2-byte transfer on PSTDDATA. 0xA Begin 3-byte transfer on PSTDDATA. 0xB Begin 4-byte transfer on PSTDDATA.
0xC	1100	Normal exception processing. Exceptions that enter emulation mode (debug interrupt or optionally trace) generate a different encoding, as described below. Because the 0xC encoding defines a multiple-cycle mode, PSTDDATA outputs are driven with 0xC until exception processing completes.
0xD	1101	Emulator mode exception processing. Displayed during emulation mode (debug interrupt or optionally trace). Because this encoding defines a multiple-cycle mode, PSTDDATA outputs are driven with 0xD until exception processing completes.
0xE	1110	A breakpoint state change causes this encoding to assert for one cycle only followed by the trigger status value. If the processor stops waiting for an interrupt, the encoding is asserted for multiple cycles. See Section 8.3.2, “Processor Stopped or Breakpoint State Change (PST = 0xE).”
0xF	1111	Processor is halted. Because this encoding defines a multiple-cycle mode, the PSTDDATA outputs display 0xF until the processor is restarted or reset. (see Section 8.5.1, “CPU Halt”)

8.3.1 Begin Execution of Taken Branch (PST = 0x5)

PST is 0x5 when a taken branch is executed. For some opcodes, a branch target address may be displayed on PSTDDATA depending on the CSR settings. CSR also controls the number of address bytes displayed, which is indicated by the PST marker value immediately preceding the PSTDDATA nibble that begins the data output.

Multiple byte DDATA values are displayed in least-to-most-significant order. The processor captures only those target addresses associated with taken branches which use a variant addressing mode, that is, RTE

and RTS instructions, JMP and JSR instructions using address register indirect or indexed addressing modes, and all exception vectors.

The simplest example of a branch instruction using a variant address is the compiled code for a C language case statement. Typically, the evaluation of this statement uses the variable of an expression as an index into a table of offsets, where each offset points to a unique case within the structure. For such change-of-flow operations, the V4 microarchitecture uses the debug pins to output the following sequence of information on two successive processor clock cycles:

1. Use PSTDDATA (0x5) to identify that a taken branch is executed.
2. Optionally signal the target address to be displayed sequentially on the PSTDDATA pins. Encodings 0x9–0xB identify the number of bytes displayed.
3. The new target address is optionally available on subsequent cycles using the PSTDDATA port. The number of bytes of the target address displayed on this port is configurable (2, 3, or 4 bytes, where the encoding is 0x9, 0xA, and 0xB, respectively).

Another example of a variant branch instruction would be a JMP (A0) instruction. [Figure 8-4](#) shows when the PSTDDATA outputs that indicate when a JMP (A0) executed, assuming the CSR was programmed to display the lower 2 bytes of an address.

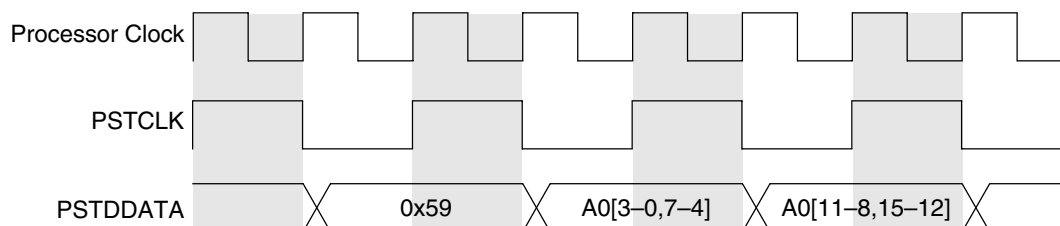


Figure 8-4. Example JMP Instruction Output on PSTDDATA

PSTDDATA is driven two nibbles at a time with a 0x59; 0x5 indicates a taken branch and the marker value 0x9 indicates a 2-byte address. Thus, the subsequent 4 nibbles display the lower 2 bytes of address register A0 in least-to-most-significant nibble order. The PSTDDATA output after the JMP instruction continues with the next instruction.

8.3.2 Processor Stopped or Breakpoint State Change (PST = 0xE)

The 0xE encoding is generated either as a one- or multiple-cycle issue as follows:

- When the core is stopped by a STOP instruction, this encoding appears in multiple-cycle format. The ColdFire processor remains stopped until an interrupt occurs; thus, PSTDDATA outputs display 0xE until stopped mode is exited.
- When a breakpoint status change is to be output on PSTDDATA, 0xE is displayed for one cycle, followed immediately with the 4-bit value of the current trigger status, where the trigger status is left justified rather than in the CSR[BSTAT] description. [Section 8.4.5, “Configuration/Status Register \(CSR\),”](#) shows that status is right justified. That is, the displayed trigger status on PSTDDATA after a single 0xE is as follows:
 - 0x0 = no breakpoints enabled
 - 0x2 = waiting for level-1 breakpoint
 - 0x4 = level-1 breakpoint triggered
 - 0xA = waiting for level-2 breakpoint
 - 0xC = level-2 breakpoint triggered

Thus, 0xE can indicate multiple events, based on the next value, as [Table 8-5](#) shows.

Table 8-5. 0xE Status Posting

PSTDDATA Stream Includes	Result
{0xE, 0x2}	Breakpoint state changed to waiting for level-1 trigger
{0xE, 0x4}	Breakpoint state changed to level-1 breakpoint triggered
{0xE, 0xA}	Breakpoint state changed to waiting for level-2 trigger
{0xE, 0xC}	Breakpoint state changed to level-2 breakpoint triggered
{0xE, 0xE}	Stopped mode.

8.3.3 Processor Halted (PST = 0xF)

PST is 0xF when the processor is halted (see [Section 8.5.1, “CPU Halt”](#)). Because this encoding defines a multiple-cycle mode, the PSTDDATA outputs display 0xF until the processor is restarted or reset. Therefore, PSTDDATA[7:0] continuously are 0xFF.

NOTE

HALT can be distinguished from a data output 0xFF by counting 0xFF occurrences on PSTDDATA. Because data always follows a marker (0x8, 0x9, 0xA, or 0xB), the longest occurrence in PSTDDATA of 0xFF in a data output is four.

Two scenarios exist for data 0xFFFF_FFFF:

- The B marker occurs on the most-significant nibble of PSTDDATA with the data of 0xFF following:
PSTDDATA[7:0]
0xBF
0xFF
0xFF
0xFF
0xFF (X indicates that the next PST value is guaranteed to not be 0xF.)
- The B marker occurs on the least-significant nibble of PSTDDATA with the data of 0xFF following:
PSTDDATA[7:0]
0xYB
0xFF
0xFF
0xFF
0xFF
0xXY (X indicates the PST value is guaranteed not to be 0xF, and Y signifies a PSTDDATA value that doesn't affect the 0xFF count.)

NOTE

As the result of the above, a count of at least nine or more sequential single 0xF values or five or more sequential 0xFF values indicates the HALT condition.

8.4 Register Definition

In addition to the existing BDM commands that provide access to the processor's registers and the memory subsystem, the debug module contains 19 registers to support the required functionality. These registers are also accessible from the processor's supervisor programming model by executing the WDEBUD instruction (write only). Thus, the breakpoint hardware in the debug module can be read or written by the external development system using the debug serial interface or written by the operating system running on the processor core. Software is responsible for guaranteeing that accesses to these resources are serialized and logically consistent. Hardware provides a locking mechanism in the CSR to allow the external development system to disable any attempted writes by the processor to the breakpoint registers (setting CSR[IPW]). BDM commands must not be issued if the WDEBUD instruction is used to access debug module registers or the resulting behavior is undefined.

These registers, shown in Figure 8-5, are treated as 32-bit quantities, regardless of the number of implemented bits.

31	15	7	0		AATR	Address attribute trigger register
31	15		0		ABLR	Address low breakpoint register
					ABHR	Address high breakpoint register
31	15	7	0		AATR1	Address 1 attribute trigger register
31	15		0		ABLR1	Address low breakpoint 1 register
					ABHR1	Address high breakpoint 1 register
31	15	7	0		BAAR	BDM address attributes register
31	15		0		CSR	Configuration/status register
31	15		0		DBR	Data breakpoint register
					DBMR	Data breakpoint mask register
31	15		0		DBR1	Data breakpoint 1 register
					DBMR1	Data breakpoint mask 1 register
31	15		0		PBR	PC breakpoint register
					PBR1	PC breakpoint 1 register
					PBR2	PC breakpoint 2 register
					PBR3	PC breakpoint 3 register
					PBMR	PC breakpoint mask register
31	15		0		TDR	Trigger definition register
31	15		0		XTDR	Extended trigger definition register

Note: Each debug register is accessed as a 32-bit register; shaded fields above are not used (don't care).

All debug control registers are writable from the external development system or the CPU via the WDEBUD instruction.

CSR is write-only from the programming model. It can be read from and written to through the BDM port.

CSR is accessible in supervisor mode as debug control register 0x00 using the WDEBUD instruction and

Figure 8-5. Debug Programming Model

The registers in Table 8-7 are accessed through the BDM port by BDM commands, WDMREG and RDMREG, described in Section 8.5.3.3, “Command Set Descriptions.” These commands contain a 5-bit field, DRC, that specifies the register, as shown in Table 8-6.

Table 8-6. BDM/Breakpoint Registers

DRC[4–0]	Register Name	Abbreviation	Initial State	Page
0x00	Configuration/status register ¹	CSR	0x0020_0000	p. 8-15
0x01–0x05	Reserved	—	—	—
0x04	PC breakpoint ASID control	PBAC	—	p. 8-28
0x05	BDM address attribute register	BAAR	0x0000_0005	p. 8-14
0x06	Address attribute trigger register	AATR	0x0000_0005	p. 8-11
0x07	Trigger definition register	TDR	0x0000_0000	p. 8-22
0x08	Program counter breakpoint register	PBR	—	p. 8-20
0x09	Program counter breakpoint mask register	PBMR	—	p. 8-20
0x0A–0x0B	Reserved	—	—	—
0x0C	Address breakpoint high register	ABHR	—	p. 8-13
0x0D	Address breakpoint low register	ABLR	—	p. 8-13
0x0E	Data breakpoint register	DBR	—	p. 8-18
0x0F	Data breakpoint mask register	DBMR	—	p. 8-18
0x10–0x153	Reserved	—	—	—
0x14	PC breakpoint ASID register	PBASID	—	p. 8-29
0x15	Reserved	—	—	—
0x16	Address attribute trigger register 1	AATR1	0x0000_0005	p. 8-11
0x17	Extended trigger definition register	XTDR	0x0000_0000	p. 8-25
0x18	Program counter breakpoint 1 register	PBR1	0x0000_0000	p. 8-20
0x19	Reserved	—	—	—
0x1A	Program counter breakpoint register 2	PBR2	0x0000_0000	p. 8-20
0x1B	Program counter breakpoint register 3	PBR3	0x0000_0000	p. 8-20
0x1C	Address high breakpoint register 1	ABHR1	—	p. 8-13
0x1D	Address low breakpoint register 1	ABLR1	—	p. 8-13
0x1E	Data breakpoint register 1	DBR1	—	p. 8-18
0x1F	Data breakpoint mask register 1	DBMR1	—	p. 8-18

¹ CSR is write-only from the programming model. It can be read or written through the BDM port using the RDMREG and WDMREG commands.

These registers are also accessible from the processor’s supervisor programming model through the execution of the WDEBUG instruction. Thus, the external development system and the operating system running on the processor core can access the breakpoint hardware. It is the responsibility of the software

to guarantee that all accesses to these resources are serialized and logically consistent. The hardware provides a locking mechanism in the CSR to allow the external development system to disable any attempted writes by the processor to the breakpoint registers (setting IPW = 1). BDM commands must not be issued if the ColdFire processor is accessing debug module registers with the WDEBUG instruction or the resulting behavior is undefined.

The ColdFire debug architecture supports a number of hardware breakpoint registers, that can be configured into single- or double-level triggers based on the PC or operand address ranges with an optional inclusion of specific data values. With the addition of the MMU capabilities, the breakpoint specifications must be expanded to optionally include the address space identifier (ASID) in these user-programmable virtual address triggers.

The core includes four PC breakpoint triggers and two sets of operand address breakpoint triggers, each with two independent address registers (to allow specification of a range) and a data breakpoint with masking capabilities. Core breakpoint triggers are accessible through the serial BDM interface or written through the supervisor programming model using the WDEBUG instruction.

Two ASID-related registers (PBAC and PBASID) are added for the PC breakpoint qualification, and two existing registers (AATR and AATR1) are expanded for the address breakpoint qualification.

8.4.1 Revision A Shared Debug Resources

In the Revision A implementation of the debug module, certain hardware structures are shared between BDM and breakpoint functionality, as shown in [Table 8-7](#).

Table 8-7. Rev. A Shared BDM/Breakpoint Hardware

Register	BDM Function	Breakpoint Function
AATR	Bus attributes for all memory commands	Attributes for address breakpoint
ABHR	Address for all memory commands	Address for address breakpoint
DBR	Data for all BDM write commands	Data for data breakpoint

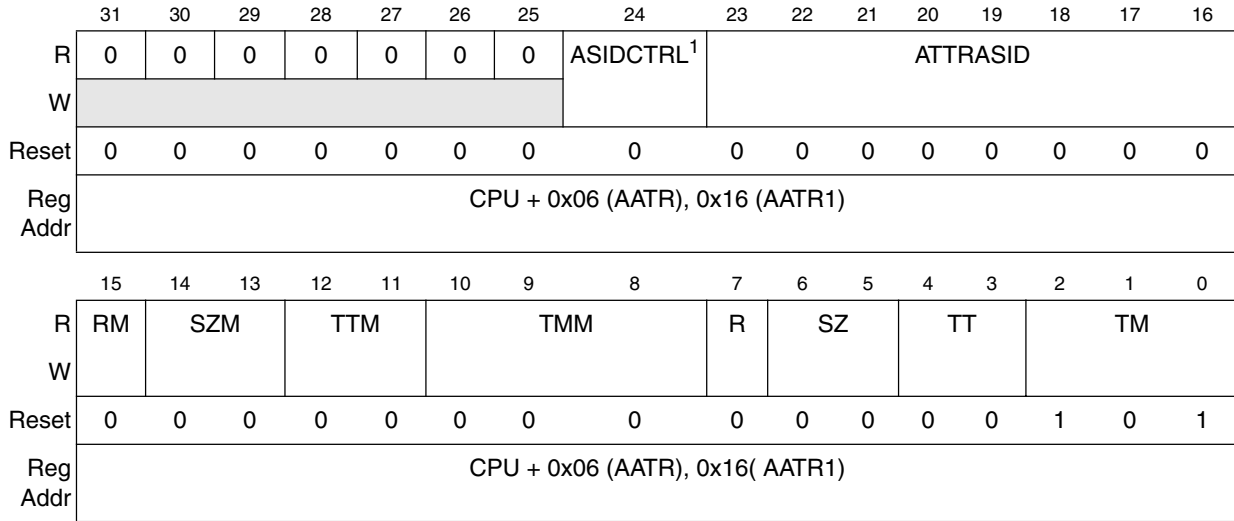
Thus, loading a register to perform a specific function that shares hardware resources is destructive to the shared function. For example, a BDM command to access memory overwrites an address breakpoint in ABHR. A BDM write command overwrites the data breakpoint in DBR.

Revision B added hardware registers to eliminate these shared functions. The BAAR is used to specify bus attributes for BDM memory commands and has the same format as the LSB of the AATR. Note that the registers containing the BDM memory address and the BDM data are not program visible.

8.4.2 Address Attribute Trigger Registers (AATR, AATR1)

The AATR and AATR1, [Figure 8-6](#), define address attributes and a mask to be matched in the trigger. The register value is compared with address attribute signals from the processor's local high-speed bus, as defined by the setting of the trigger definition register (TDR) for AATR and the extended trigger definition register (XTDR) for AATR1.

This register is expanded to include an optional ASID specification and a control bit that enables the use of the ASID field.



¹ Write only. AATR and AATR1 are accessible in supervisor mode as debug control register 0x06 and 0x16 respectively using the WDEBUG instruction and through the BDM port using the WDMREG command.

Figure 8-6. Address Attribute Trigger Registers (AATR, AATR1)

Table 8-8 describes AATR and AATR1 fields.

Table 8-8. AATR and AATR1 Field Descriptions

Bits	Name	Description
31–25	—	Reserved, should be cleared.
24	ASIDCTRL	ABLR/ABHR/ATTR address breakpoint ASID enable. Corresponds to the ASID control enable for the address breakpoint defined in ABLR, ABHR, and ATTR. 0 Disable ASID qualifier (reset default) 1 Enable ASID qualifier
23–16	ATTRASID	ABLR/ABHR/ATTR ASID. Corresponds to the ASID to be included in the address breakpoint specified by ABLR, ABHR, and ATTR.
15	RM	Read/write mask. Setting RM masks R in address comparisons.
14–13	SZM	Size mask. Setting an SZM bit masks the corresponding SZ bit in address comparisons.
12–11	TTM	Transfer type mask. Setting a TTM bit masks the corresponding TT bit in address comparisons.
10–8	TMM	Transfer modifier mask. Setting a TMM bit masks the corresponding TM bit in address comparisons.
7	R	Read/write. R is compared with the R/ \overline{W} signal of the processor's local bus.
6–5	SZ	Size. Compared to the processor's local bus size signals. 00 Longword 01 Byte 10 Word 11 Reserved

Table 8-8. AATR and AATR1 Field Descriptions (Continued)

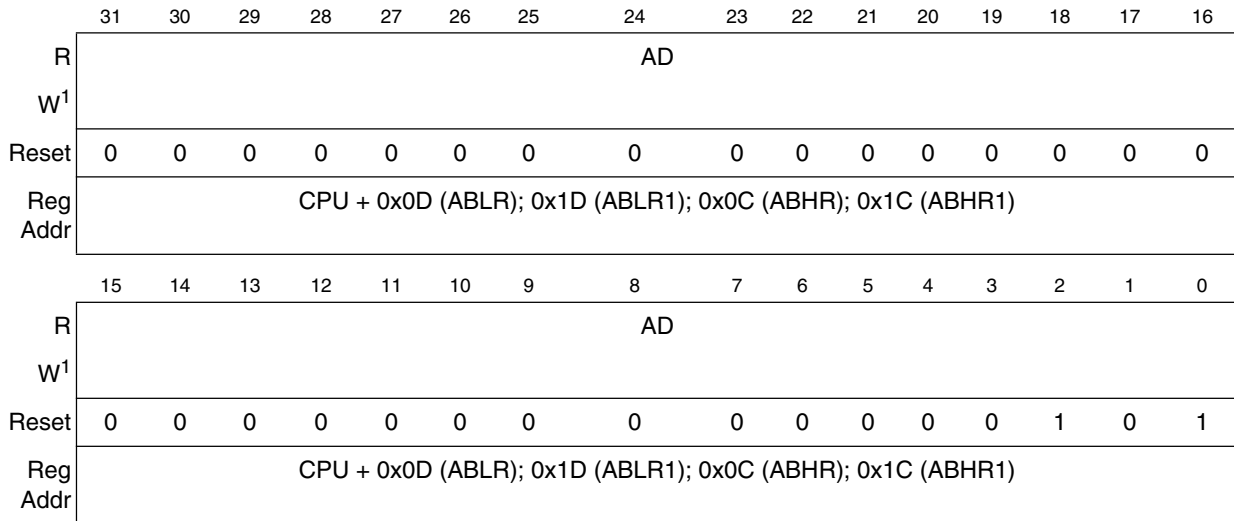
Bits	Name	Description
4–3	TT	Transfer type. Compared with the local bus transfer type signals. 00 Normal processor access 01 Reserved 10 Emulator mode access 11 Acknowledge/CPU space access These bits also define the TT encoding for BDM memory commands. In this case, the 01 encoding indicates an external or DMA access (for backward compatibility). These bits affect the TM bits.
2–0	TM	Transfer modifier. Compared with the local bus transfer modifier signals, which give supplemental information for each transfer type. TT = 00 (normal mode): 000 Data and instruction cache line push 001 User data access 010 User code access 011 Instruction cache invalidate 100 Data cache push/Instruction cache invalidate 101 Supervisor data access 110 Supervisor code access 111 INTOUCH instruction access TT = 10 (emulator mode): 0xx–100 Reserved 101 Emulator mode data access 110 Emulator mode code access 111 Reserved TT = 11 (acknowledge/CPU space transfers): 000 CPU space access 001–111 Interrupt acknowledge levels 1–7 These bits also define the TM encoding for BDM memory commands (for backward compatibility).

8.4.3 Address Breakpoint Registers (ABLR/ABLR1, ABHR/ABHR1)

The ABLR, ABLR1, ABHR, and ABHR1, shown in [Figure 8-7](#), define regions in the processor's data address space that can be used as part of the trigger. These register values are compared with the address for each transfer on the processor's high-speed local bus. The trigger definition register (TDR) identifies the trigger as one of three cases:

- Identically the value in ABLR
- Inside the range bound by ABLR and ABHR inclusive
- Outside that same range

XTDR determines the same for ABLR1 and ABHR1.



¹ ABHR and ABHR1 are accessible in supervisor mode as debug control registers 0x0C and 0x1C, using the WDEBUG instruction and via the BDM port using the RDMREG and WDMREG commands.

Figure 8-7. Address Breakpoint Registers (ABLR, ABHR, ABLR1, ABHR1)

Table 8-9 describes ABLR and ABLR1 fields.

Table 8-9. ABLR and ABLR1 Field Description

Bits	Name	Description
31-0	AD	Low address. Holds the 32-bit address marking the lower bound of the address breakpoint range. Breakpoints for specific addresses are programmed into ABLR or ABLR1.

Table 8-10 describes ABHR and ABHR1 fields.

Table 8-10. ABHR and ABHR1 Field Description

Bits	Name	Description
31-0	AD	High address. Holds the 32-bit address marking the upper bound of the address breakpoint range.

8.4.4 BDM Address Attribute Register (BAAR)

The BAAR defines the address space for memory-referencing BDM commands. To maintain compatibility with Revision A, BAAR is loaded with any data written to the LSB of AATR. See Figure 8-8. The reset value of 0x5 sets supervisor data as the default address space.

BAAR is write only. BAAR[R,SZ] are loaded directly from the BDM command. BAAR[TT,TM] can be programmed as debug control register 0x05 from the external development system. For compatibility with Rev. A, BAAR is loaded each time AATR is written.

	31	30	29	28	27	26	25	24	23	22	21	20	19	18	17	16
R	0	0	0	0	0	0	0	0	0	0	0	0	0	0	0	0
W																
Reset	0	0	0	0	0	0	0	0	0	0	0	0	0	0	0	0
Reg Addr	CPU + 0x05															
	15	14	13	12	11	10	9	8	7	6	5	4	3	2	1	0
R	0	0	0	0	0	0	0	0	R	SZ		TT		TM		
W																
Reset	0	0	0	0	0	0	0	0	0	0	0	0	0	1	0	1
Reg Addr	CPU + 0x05															

Figure 8-8. BDM Address Attribute Register (BAAR)

Table 8-11 describes BAAR fields.

Table 8-11. BAAR Field Descriptions

Bits	Name	Description
31-8	—	Reserved
7	R	Read/write 0 Write 1 Read
6-5	SZ	Size 00 Longword 01 Byte 10 Word 11 Reserved
4-3	TT	Transfer type. See the TT definition in Table 8-8.
2-0	TM	Transfer modifier. See the TM definition in Table 8-8.

8.4.5 Configuration/Status Register (CSR)

The configuration/status register (CSR) defines the debug configuration for the processor and memory subsystem and contains status information from the breakpoint logic. CSR is write-only from the programming model. CSR is accessible in supervisor mode as debug control register 0x00 using the WDEBUI instruction and through the BDM port using the RDMREG and WDMREG commands. It can be read from and written to through the BDM port.

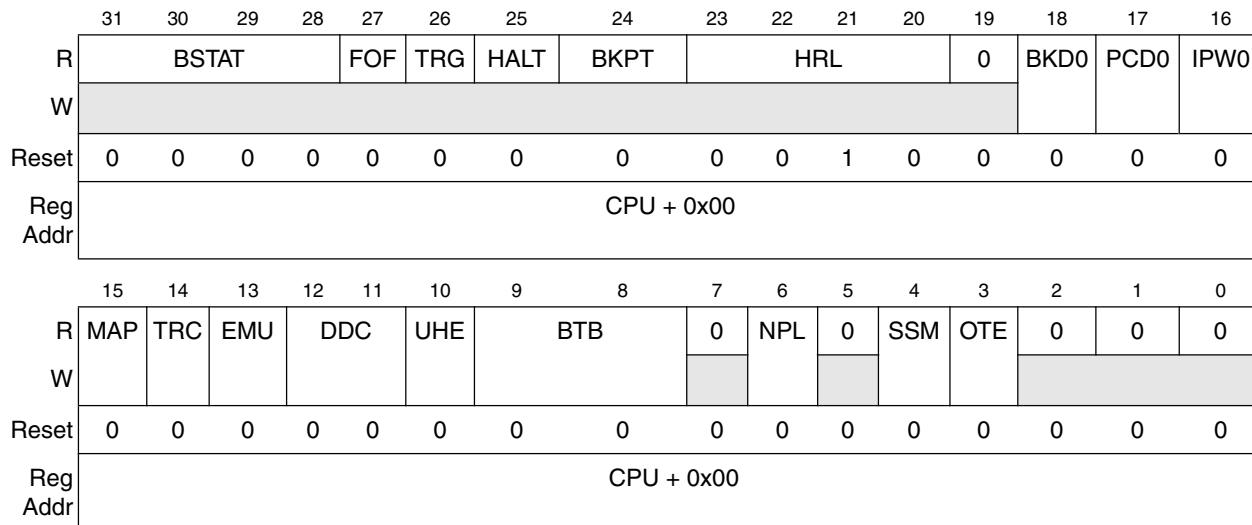


Figure 8-9. Configuration/Status Register (CSR)

Table 8-12 describes CSR fields.

Table 8-12. CSR Field Descriptions

Bits	Name	Description
31–28	BSTAT	Breakpoint status. Provides read-only status information concerning hardware breakpoints. Also output on PSTDDATA when it is not displaying PST or other processor data. BSTAT is cleared by a TDR or XTDR write or by a CSR read when either a level-2 breakpoint is triggered or a level-1 breakpoint is triggered and the level-2 breakpoint is disabled. 0000 No breakpoints enabled 0001 Waiting for level-1 breakpoint 0010 Level-1 breakpoint triggered 0101 Waiting for level-2 breakpoint 0110 Level-2 breakpoint triggered
27	FOF	Fault-on-fault. If FOF is set, a catastrophic halt occurred and forced entry into BDM.
26	TRG	Hardware breakpoint trigger. If TRG is set, a hardware breakpoint halted the processor core and forced entry into BDM. Reset, and the debug GO command clear TRG.
25	HALT	Processor halt. If HALT is set, the processor executed a HALT and forced entry into BDM. Reset, and the debug GO command clear HALT.
24	BKPT	Breakpoint assert. If BKPT is set, BKPT is asserted, forcing the processor into BDM. Reset, and the debug GO command clear BKPT.
23–20	HRL	Hardware revision level. Indicates the level of debug module functionality. An emulator could use this information to identify the level of functionality supported. 0000 Initial debug functionality (Revision A) 0001 Revision B 0010 Revision C 0011 Revision D
19	—	Reserved, should be cleared.

Table 8-12. CSR Field Descriptions (Continued)

Bits	Name	Description
18	BKD	Breakpoint disable. Used to disable the normal $\overline{\text{BKPT}}$ input functionality and to allow the assertion of $\overline{\text{BKPT}}$ to generate a debug interrupt. 0 Normal operation 1 $\overline{\text{BKPT}}$ is edge-sensitive: a high-to-low edge on $\overline{\text{BKPT}}$ signals a debug interrupt to the processor. The processor makes this interrupt request pending until the next sample point, when the exception is initiated. In the ColdFire architecture, the interrupt sample point occurs once per instruction. There is no support for nesting debug interrupts.
17	PCD	PSTCLK disable. Setting PCD disables generation of PSTCLK and PSTDDATA outputs and forces them to remain quiescent.
16	IPW	Inhibit processor writes. Setting IPW inhibits processor-initiated writes to the debug module's programming model registers. IPW can be modified only by commands from the external development system.
15	MAP	Force processor references in emulator mode. 0 All emulator-mode references are mapped into supervisor code and data spaces. 1 The processor maps all references while in emulator mode to a special address space, TT = 10, TM = 101 or 110. The internal SRAM and caches are disabled.
14	TRC	Force emulation mode on trace exception. If TRC = 1, the processor enters emulator mode when a trace exception occurs. If TRC=0, the processor enters supervisor mode.
13	EMU	Force emulation mode. If EMU = 1, the processor begins executing in emulator mode. See Section 8.6.1.1, "Emulator Mode."
12–11	DDC	Debug data control. Controls operand data capture for PSTDDATA, which displays the number of bytes defined by the operand reference size before the actual data; byte displays 8 bits, word displays 16 bits, and long displays 32 bits (one nibble at a time across multiple clock cycles). See Table 8-4 . 00 No operand data is displayed. 01 Capture all write data. 10 Capture all read data. 11 Capture all read and write data.
10	UHE	User halt enable. Selects the CPU privilege level required to execute the HALT instruction. 0 HALT is a supervisor-only instruction. 1 HALT is a supervisor/user instruction.
9–8	BTB	Branch target bytes. Defines the number of bytes of branch target address PSTDDATA displays. 00 0 bytes 01 Lower 2 bytes of the target address 10 Lower 3 bytes of the target address 11 Entire 4-byte target address See Section 8.3.1, "Begin Execution of Taken Branch (PST = 0x5)"
7	—	Reserved, should be cleared.

Table 8-12. CSR Field Descriptions (Continued)

Bits	Name	Description
6	NPL	<p>Non-pipelined mode. Determines whether the core operates in pipelined or mode.</p> <p>0 Pipelined mode</p> <p>1 Non-pipelined mode. The processor effectively executes one instruction at a time with no overlap. This adds at least 5 cycles to the execution time of each instruction. Superscalar instruction dispatch is disabled when operating in this mode. Given an average execution latency of 1.6, throughput in non-pipeline mode would be 6.6, approximately 25% or less of pipelined performance.</p> <p>Regardless of the NPL state, a triggered PC breakpoint is always reported before the triggering instruction executes. In normal pipeline operation, the occurrence of an address or data breakpoint trigger is imprecise. In non-pipeline mode, triggers are always reported before the next instruction begins execution and trigger reporting can be considered precise.</p> <p>An address or data breakpoint should always occur before the next instruction begins execution. Therefore, the occurrence of the address/data breakpoints should be guaranteed.</p>
5	—	Reserved, should be cleared.
4	SSM	<p>Single-step mode. Setting SSM puts the processor in single-step mode.</p> <p>0 Normal mode.</p> <p>1 Single-step mode. The processor halts after execution of each instruction. While halted, any BDM command can be executed. On receipt of the GO command, the processor executes the next instruction and halts again. This process continues until SSM is cleared.</p>
3	OPE	<p>Ownership-trace enable.</p> <p>1 The display of the ASID on the PSTDDATA outputs by entering in user mode, by loading the ASID by a MOVEC, or by executing a BDM SYNC_PC command.</p>
3-0	—	Reserved, should be cleared.

8.4.6 Data Breakpoint and Mask Registers (DBR/DBR1, DBMR/DBMR1)

The data breakpoint registers (DBR/DBR1, [Figure 8-10](#)), specify data patterns used as part of the trigger into debug mode. DBR n bits are masked by setting corresponding DBMR bits, as defined in TDR.

DBR and DBR1 are accessible in supervisor mode as debug control register 0x0E and 0x1E, using the WDEBUG instruction and through the BDM port using the RDMREG and WDMREG commands.

	31	30	29	28	27	26	25	24	23	22	21	20	19	18	17	16
R	DATA (DBR/DBR1)															
W																
Reset	0	0	0	0	0	0	0	0	0	0	0	0	0	0	0	0
Reg Addr	CPU + 0x0E (DBR), 0x1E (DBR1)															
	15	14	13	12	11	10	9	8	7	6	5	4	3	2	1	0
R	DATA (DBR/DBR1)															
W																
Reset	0	0	0	0	0	0	0	0	0	0	0	0	0	0	0	0
Reg Addr	CPU + 0x0E (DBR), 0x1E (DBR1)															

Figure 8-10. Data Breakpoint Registers (DBR/DBR1)

Table 8-13 describes DBR n fields.

Table 8-13. DBR n Field Descriptions

Bits	Name	Description
31–0	DATA	Data breakpoint value. Contains the value to be compared with the data value from the processor's local bus as a breakpoint trigger.

DBMR and DBMR1 are accessible in supervisor mode as debug control register 0x0F and 0x1F, using the WDEBUG instruction and via the BDM port using the WDMREG command.

	31	30	29	28	27	26	25	24	23	22	21	20	19	18	17	16
R	MSK (DBMR/DBMR1)															
W																
Reset	0	0	0	0	0	0	0	0	0	0	0	0	0	0	0	0
Reg Addr	CPU + 0x0F (DBMR), 0x1F (DBMR1)															
	15	14	13	12	11	10	9	8	7	6	5	4	3	2	1	0
R	MSK (DBMR/DBMR1)															
W																
Reset	0	0	0	0	0	0	0	0	0	0	0	0	0	0	0	0
Reg Addr	CPU + 0x0F (DBMR), 0x1F (DBMR1)															

Figure 8-11. Data Breakpoint Mask Registers (DBMR/DBMR1)

Table 8-14 describes DBMR n fields.

Table 8-14. DBMR_n Field Descriptions

Bits	Name	Description
31–0	MSK	Data breakpoint mask. The 32-bit mask for the data breakpoint trigger. Clearing a DBMR _n bit allows the corresponding DBR _n bit to be compared to the appropriate bit of the processor's local data bus. Setting a DBMR _n bit causes that bit to be ignored.

DBRs support both aligned and misaligned references. [Table 8-15](#) shows relationships between processor address, access size, and location within the 32-bit data bus.

Table 8-15. Access Size and Operand Data Location

A[1:0]	Access Size	Operand Location
00	Byte	D[31:24]
01	Byte	D[23:16]
10	Byte	D[15:8]
11	Byte	D[7:0]
0x	Word	D[31:16]
1x	Word	D[15:0]
xx	Longword	D[31:0]

8.4.7 Program Counter Breakpoint and Mask Registers (PBR, PBR1, PBR2, PBR3, PBMR)

Each PC breakpoint register (PBR, PBR1, PBR2, PBR3) defines an instruction address for use as part of the trigger. These registers' contents are compared with the processor's program counter register when the appropriate valid bit is set, and TDR or XTDR are configured appropriately. PBR bits are masked by setting corresponding PBMR bits. Results are compared with the processor's program counter register, as defined in TDR or XTDR. PBR1–PBR3 are not masked. [Figure 8-12](#) shows the PC breakpoint register.

PC breakpoint registers are accessible in supervisor mode using the WDEBBUG instruction and through the BDM port using the RDMREG and WDMREG commands using values shown in [Section 8.5.3.3, "Command Set Descriptions."](#)

	31	30	29	28	27	26	25	24	23	22	21	20	19	18	17	16
R	CNTRAD															
W																
Reset	0	0	0	0	0	0	0	0	0	0	0	0	0	0	0	0
Reg Addr	CPU + 0x08 (PBR); 0x18 (PBR1); 0x1A (PBR2); 0x1B (PBR3)															

	15	14	13	12	11	10	9	8	7	6	5	4	3	2	1	0
R	CNTRAD															0
W																V ¹
Reset	0	0	0	0	0	0	0	0	0	0	0	0	0	0	0	0
Reg Addr	CPU + 0x08 (PBR); 0x18 (PBR1); 0x1A (PBR2); 0x1B (PBR3)															

¹ PBR0 does not have a valid bit. PBR0 is read as 0 and should be cleared.

Figure 8-12. Program Counter Breakpoint Registers (PBR, PBR1, PBR2, PBR3)

Table 8-16 describes PBR, PBR1, PBR2, and PBR3 fields.

Table 8-16. PBR, PBR1, PBR2, PBR3 Field Descriptions

Bits	Name	Description
31–1	CNTRAD	PC breakpoint address. The 31-bit address to be compared with the PC as a breakpoint trigger.
0	V	Valid. 0 Breakpoint registers are not compared with the processor's program counter register 1 Breakpoint registers are compared with the processor's program counter register when the appropriate valid bit is set and TDR or XTDR are configured appropriately. Note: This bit is not implemented on PBR0; it is implemented on PBR[1:3].

Figure 8-13 shows PBMR. PBMR is accessible in supervisor mode as debug control register 0x09 using the WDEBUG instruction and via the BDM port using the WDMREG command.

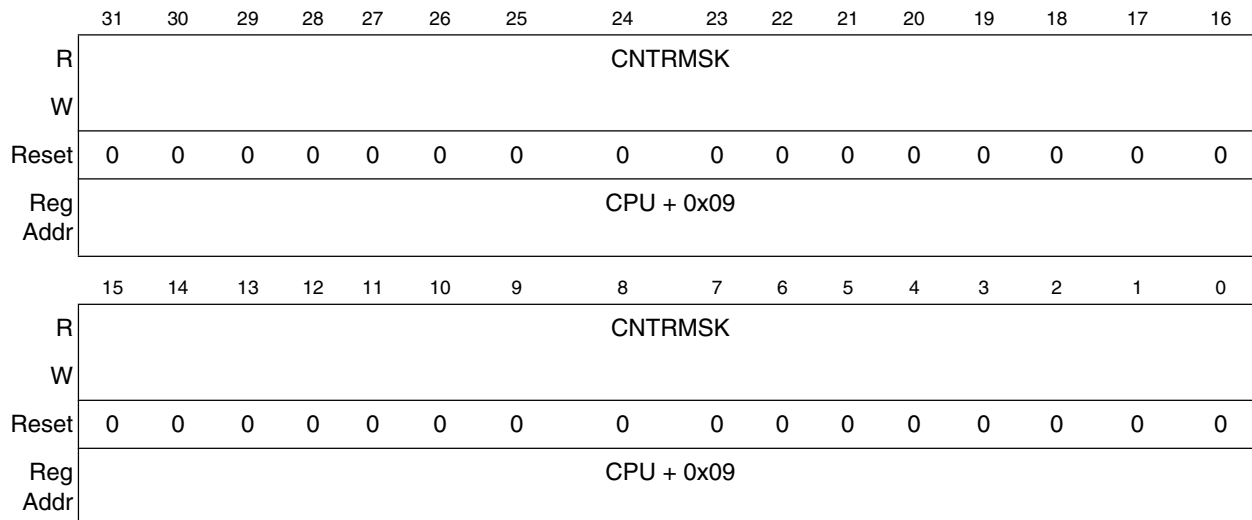


Figure 8-13. Program Counter Breakpoint Mask Register (PBMR)

Table 8-17 describes PBMR fields.

Table 8-17. PBMR Field Descriptions

Bits	Name	Description
31–0	CNTRMSK	PC breakpoint mask. 0 This PBMR bit causes the corresponding PBR bit to be compared to the appropriate program counter register bit. 1 This PBMR bit causes the corresponding PBR bit to be ignored.

8.4.8 Trigger Definition Register (TDR)

The TDR, shown in Table 8-14, configures the operation of the hardware breakpoint logic that corresponds with the ABHR/ABLR/AATR, PBR/PBR1/PBR2/PBR3/PBMR, and DBR/DBMR registers within the debug module. In conjunction with the XTDR and its associated debug registers, TDR controls the actions taken under the defined conditions. Breakpoint logic may be configured as one- or two-level triggers. TDR[31–16] or XTDR[31–16] define second-level triggers, and bits 15–0 define first-level triggers.

TDR is accessible in supervisor mode as debug control register 0x07 using the WDEBUG instruction and through the BDM port using the WDMREG command.

NOTE

The debug module has no hardware interlocks, so to prevent spurious breakpoint triggers while the breakpoint registers are being loaded, disable TDR and XTDR (by clearing TDR[29,13] and XTDR[29,13]) before defining triggers.

A write to TDR clears the CSR trigger status bits, CSR[BSTAT].

When cleared, the data enable bits (ED_{xx}) for both the second level and first level triggers disable data breakpoints. When set, these bits enable the corresponding data breakpoint condition based on the size and placement on the processor's local data bus.

The address breakpoint for each trigger is enabled by setting the address enable bits (EAX); clearing all three bits disables the corresponding breakpoint.

	31	30	29	28	27	26	25	24	23	22	21	20	19	18	17	16
	Second Level Triggers															
R	TRC		EBL	EDLW	EDWL	EDWU	EDLL	EDLM	EDUM	EDUU	DI	EAI	EAR	EAL	EPC	PCI
W			2	2	2	2	2	2	2	2	2	2	2	2	2	2
Reset	0	0	0	0	0	0	0	0	0	0	0	0	0	0	0	0
Reg Addr	CPU + 0x07															
	15	14	13	12	11	10	9	8	7	6	5	4	3	2	1	0
	First Level Triggers															
R	0	0	EBL	EDLW	EDWL	EDWU	EDLL	EDLM	EDUM	EDUU	DI	EAI	EAR	EAL	EPC	PCI
W			1	1	1	1	1	1	1	1	1	1	1	1	1	1
Reset	0	0	0	0	0	0	0	0	0	0	0	0	0	0	0	0
Reg Addr	CPU + 0x07															

Figure 8-14. Trigger Definition Register (TDR)

Table 8-18 describes TDR fields.

Table 8-18. TDR Field Descriptions

Bits	Name	Description
31–30	TRC	Trigger response control. Determines how the processor responds to a completed trigger condition. The trigger response is always displayed on PSTDDATA. 00 Display on PSTDDATA only 01 Processor halt 10 Debug interrupt 11 Reserved
29	EBL2	Enable breakpoint. Global enable for the breakpoint trigger. Setting TDR[EBL] or XTDR[EBL] enables a breakpoint trigger. If both TDL[EBL] and XTDL[EBL] are cleared, all breakpoints are disabled.
28	EDLW2	Data enable bit: Data longword. Entire processor's local data bus.
27	EDWL2	Data enable bit: Lower data word.
26	EDWU2	Data enable bit: Upper data word.
25	EDLL2	Data enable bit: Lower lower data byte. Low-order byte of the low-order word.
24	EDLM2	Data enable bit: Lower middle data byte. High-order byte of the low-order word.
23	EDUM2	Data enable bit: Upper middle data byte. Low-order byte of the high-order word.
22	EDUU2	Data enable bit: Upper upper data byte. High-order byte of the high-order word.
21	DI2	Data breakpoint invert. Provides a way to invert the logical sense of all the data breakpoint comparators. This can develop a trigger based on the occurrence of a data value other than the DBR contents.

Table 8-18. TDR Field Descriptions (Continued)

Bits	Name	Description
20	EAI2	Address enable bit: Enable address breakpoint inverted. Breakpoint is based outside the range between ABLR and ABHR. Trigger if address > ABHR or if address < ABLR.
19	EAR2	Address enable bit: Enable address breakpoint range. The breakpoint is based on the inclusive range defined by ABLR and ABHR. Trigger if address \geq ABHR or if address \leq ABLR.
18	EAL2	Address enable bit: Enable address breakpoint low. The breakpoint is based on the address in the ABLR. Trigger address = ABLR
17	EPC2	Enable PC breakpoint. If set, this bit enables the PC breakpoint for the second level trigger.
16	PCI2	Breakpoint invert. If set, this bit allows execution outside a given region as defined by PBR/PBR1/PBR2/PBR3 and PBMR to enable a trigger. If cleared, the PC breakpoint is defined within the region defined by PBR/PBR1/PBR2/PBR3 and PBMR.
15–14	—	Reserved, should be cleared.
13	EBL1	Enable breakpoint. Global enable for the breakpoint trigger. Setting TDR[EBL] or XTDR[EBL] enables a breakpoint trigger. If both TDL[EBL] and XTDL[EBL] are cleared, all breakpoints are disabled.
12	EDLW1	Data enable bit: Data longword. Entire processor's local data bus.
11	EDWL1	Data enable bit: Lower data word.
10	EDWU1	Data enable bit: Upper data word.
9	EDLL1	Data enable bit: Lower lower data byte. Low-order byte of the low-order word.
8	EDLM1	Data enable bit: Lower middle data byte. High-order byte of the low-order word.
7	EDUM1	Data enable bit: Upper middle data byte. Low-order byte of the high-order word.
6	EDUU1	Data enable bit: Upper upper data byte. High-order byte of the high-order word.
5	DI1	Data breakpoint invert. Provides a way to invert the logical sense of all the data breakpoint comparators. This can develop a trigger based on the occurrence of a data value other than the DBR contents.
4	EAI1	Address enable bit: Enable address breakpoint inverted. Breakpoint is based outside the range between ABLR and ABHR. Trigger if address > ABHR or if address < ABLR.
3	EAR1	Address enable bit: Enable address breakpoint range. The breakpoint is based on the inclusive range defined by ABLR and ABHR. Trigger if address \geq ABHR or if address \leq ABLR.
2	EAL1	Address enable bit: Enable address breakpoint low. The breakpoint is based on the address in the ABLR. Trigger address = ABLR
1	EPC1	Enable PC breakpoint. If set, this bit enables the PC breakpoint for the first level trigger.
0	PCI1	Breakpoint invert. If set, this bit allows execution outside a given region as defined by PBR/PBR1/PBR2/PBR3 and PBMR to enable a trigger. If cleared, the PC breakpoint is defined within the region defined by PBR/PBR1/PBR2/PBR3 and PBMR.

8.4.9 Extended Trigger Definition Register (XTDR)

The XTDR configures the operation of the hardware breakpoint logic that corresponds with the ABHR1/ABLR1/AATR1 and DBR1/DBMR1 registers within the debug module and, in conjunction with the TDR and its associated debug registers, controls the actions taken under the defined conditions. The breakpoint logic may be configured as a one- or two-level trigger, where TDR[31–16] or XTDR[31–16] define the second-level trigger and bits 15–0 define the first-level trigger. The XTDR is accessible in supervisor mode as debug control register 0x17 using the WDEBUG instruction and via the BDM port using the WDMREG command.

NOTE

The debug module has no hardware interlocks, so to prevent spurious breakpoint triggers while the breakpoint registers are being loaded, disable TDR and XTDR (by clearing TDR[29,13] and XTDR[29,13]) before defining triggers.

A write to the XTDR clears the trigger status bits, CSR[BSTAT].

When cleared, the data enable bits (ED_{xx}) for both the second level and first level triggers disable data breakpoints. When set, these bits enable the corresponding data breakpoint condition based on the size and placement on the processor's local data bus.

The address breakpoint for each trigger is enabled by setting the address enable bits (EA_x); clearing all three bits disables the corresponding breakpoint.

Section 8.4.9.1, “Resulting Set of Possible Trigger Combinations,” describes how to handle multiple breakpoint conditions.

		31	30	29	28	27	26	25	24	23	22	21	20	19	18	17	16
		Second Level Triggers															
R		0	0	EBL	EDLW	EDWL	EDWU	EDLL	EDLM	EDUM	EDUU	DI	EAI	EAR	EAL	0	0
W		—		2	2	2	2	2	2	2	2	2	2	2	2	—	
Reset		0	0	0	0	0	0	0	0	0	0	0	0	0	0	0	0
Reg Addr		CPU + 0x17															
		15	14	13	12	11	10	9	8	7	6	5	4	3	2	1	0
		First Level Triggers															
R		0	0	EBL	EDLW	EDWL	EDWU	EDLL	EDLM	EDUM	EDUU	DI	EAI	EAR	EAL	0	0
W		—		1	1	1	1	1	1	1	1	1	1	1	1	—	
Reset		0	0	0	0	0	0	0	0	0	0	0	0	0	0	0	0
Reg Addr		CPU + 0x17															

Figure 8-15. Extended Trigger Definition Register (XTDR)

Table 8-19 describes XTDR fields.

Table 8-19. XTDR Field Descriptions

Bits	Name	Description
31–30	—	Reserved, should be cleared.
29	EBL2	Enable breakpoint level. If set, EBL2 is the global enable for the breakpoint trigger; that is, if TDR[EBL2] or XTDR[EBL2] is set, a breakpoint trigger is enabled. Clearing both disables all breakpoints.
28	EDLW2	Data enable bit: Data longword. Entire processor's local data bus.
27	EDWL2	Data enable bit: Lower data word.
26	EDWU2	Data enable bit: Upper data word.
25	EDLL2	Data enable bit: Lower lower data byte. Low-order byte of the low-order word.
24	EDLM2	Data enable bit: Lower middle data byte. High-order byte of the low-order word.
23	EDUM2	Data enable bit: Upper middle data byte. Low-order byte of the high-order word.
22	EDUU2	Data enable bit: Upper upper data byte. High-order byte of the high-order word.
21	DI2	Data breakpoint invert. Provides a way to invert the logical sense of all the data breakpoint comparators. This can develop a trigger based on the occurrence of a data value other than the DBR1 contents.
20	EAI2	Address enable bit: Enable address breakpoint inverted. Breakpoint is based outside the range between ABLR1 and ABHR1. Trigger if address > ABHR or if address < ABLR.
19	EAR2	Address enable bit: Enable address breakpoint range. The breakpoint is based on the inclusive range defined by ABLR1 and ABHR1. Trigger if address \leq ABHR or if address \geq ABLR.
18	EAL2	Address enable bit: Enable address breakpoint low. The breakpoint is based on the address in the ABLR1. Trigger address = ABLR
17–14	—	Reserved, should be cleared.
13	EBL1	Enable breakpoint level. If set, EBL1 is the global enable for the breakpoint trigger; that is, if TDR[EBL1] or XTDR[EBL1] is set, a breakpoint trigger is enabled. Clearing both disables all breakpoints.
12	EDLW1	Data enable bit: Data longword. Entire processor's local data bus.
11	EDWL1	Data enable bit: Lower data word.
10	EDWU1	Data enable bit: Upper data word.
9	EDLL1	Data enable bit: Lower lower data byte. Low-order byte of the low-order word.
8	EDLM1	Data enable bit: Lower middle data byte. High-order byte of the low-order word.
7	EDUM1	Data enable bit: Upper middle data byte. Low-order byte of the high-order word.
6	EDUU1	Data enable bit: Upper upper data byte. High-order byte of the high-order word.
5	DI1	Data breakpoint invert. Provides a way to invert the logical sense of all the data breakpoint comparators. This can develop a trigger based on the occurrence of a data value other than the DBR contents.
4	EAI1	Address enable bit: Enable address breakpoint inverted. Breakpoint is based outside the range between ABLR1 and ABHR1. Trigger if address > ABHR or if address < ABLR.

Table 8-19. XTDR Field Descriptions (Continued)

Bits	Name	Description
3	EAR1	Address enable bit: Enable address breakpoint range. The breakpoint is based on the inclusive range defined by ABLR1 and ABHR1. Trigger if address \geq ABHR or if address \leq ABLR.
2	EAL1	Address enable bit: Enable address breakpoint low. The breakpoint is based on the address in the ABLR1. Trigger address = ABLR
1-0	—	Reserved, should be cleared.

8.4.9.1 Resulting Set of Possible Trigger Combinations

The resulting set of possible breakpoint trigger combinations consist of the following options where || denotes logical OR, && denotes logical AND, and {} denotes an optional additional trigger term:

One-level triggers of the form:

```

if      (PC_breakpoint)
if      (PC_breakpoint || Address_breakpoint{&& Data_breakpoint})
if      (PC_breakpoint || Address_breakpoint{&& Data_breakpoint}
        || Address1_breakpoint{&& Data1_breakpoint})

if      (Address_breakpoint      {&& Data_breakpoint})
if      ((Address_breakpoint      {&& Data_breakpoint})
        || (Address1_breakpoint{&& Data1_breakpoint}))

if      (Address1_breakpoint      {&& Data1_breakpoint})

```

Two-level triggers of the form:

```

if      (PC_breakpoint)
  then if      (Address_breakpoint{&& Data_breakpoint})

if      (PC_breakpoint)
  then if      (Address_breakpoint{&& Data_breakpoint}
              || Address1_breakpoint{&& Data1_breakpoint})

if      (PC_breakpoint)
  then if      (Address1_breakpoint{&& Data1_breakpoint})

if      (Address_breakpoint      {&& Data_breakpoint})
  then if      (Address1_breakpoint{&& Data1_breakpoint})

if      (Address1_breakpoint      {&& Data1_breakpoint})
  then if      (Address_breakpoint{&& Data_breakpoint})

if      (Address_breakpoint      {&& Data_breakpoint})
  then if      (PC_breakpoint)

if      (Address1_breakpoint      {&& Data1_breakpoint})
  then if      (PC_breakpoint)

```

```

if      (Address_breakpoint      {&& Data_breakpoint})
then if      (PC_breakpoint
             ||      Address1_breakpoint{&& Data1_breakpoint})

if      (Address1_breakpoint     {&& Data1_breakpoint})
then if      (PC_breakpoint
             ||      Address_breakpoint{&& Data_breakpoint})

```

In this example, PC_breakpoint is the logical summation of the PBR/PBMR, PBR1, PBR2, and PBR3 breakpoint registers; Address_breakpoint is a function of ABHR, ABLR, and AATR; Data_breakpoint is a function of DBR and DBMR; Address1_breakpoint is a function of ABHR1, ABLR1, and AATR1; and Data1_breakpoint is a function of DBR1 and DBMR1. In all cases, the data breakpoints can be included with an address breakpoint to further qualify a trigger event as an option.

8.4.10 PC Breakpoint ASID Control Register (PBAC)

The PBAC configures the breakpoint qualification for each PC breakpoint register (PBR, PBR1, PBR2, and PBR3). Four bits are dedicated for each breakpoint register and specify how the ASID is used in PC breakpoint qualification.

	31	30	29	28	27	26	25	24	23	22	21	20	19	18	17	16
R	0	0	0	0	0	0	0	0	0	0	0	0	0	0	0	0
W																
Reset	0	0	0	0	0	0	0	0	0	0	0	0	0	0	0	0
Reg Addr	CPU + 0x0A															
	15	14	13	12	11	10	9	8	7	6	5	4	3	2	1	0
R	PBR3AC				PBR2AC				PBR1AC				PBRAC			
W																
Reset	0	0	0	0	0	0	0	0	0	0	0	0	0	0	0	0
Reg Addr	CPU + 0x0A															

Figure 8-16. PC Breakpoint ASID Control Register (PBAC)

PBR3AC, PBR2AC, PBR1AC, and PBRAC apply to PBR3, PBR2, PBR1, and PBR, respectively, and are functionally identical. They enable or disable ASID, supervisor mode, and user mode breakpoint qualification. Reset clears these fields, disabling qualifications and defaulting to the Revision C debug module functionality.

Table 8-20. PBAC Field Descriptions

Bits	Name	Description
31-16	—	Reserved, should be cleared.
15-12	PBR3AC	PBR _n ASID control. Corresponds to the ASID control associated with PBR _n . Determines whether the ASID is included in the PC breakpoint comparison and whether the operating mode (supervisor or user) is included in the comparison logic.
11-8	PBR2AC	
7-4	PBR1AC	
3-0	PBRAC	
		x00x No ASID qualification; no mode qualification
		x010 No ASID qualification; user mode qualification enabled
		x011 No ASID qualification; supervisor mode qualification enabled
		x10x ASID qualification enabled; no mode qualification
		x110 ASID qualification enabled; user mode qualification enabled
		x111 ASID qualification enabled; supervisor mode qualification enabled

8.4.11 PC Breakpoint ASID Register (PBASID)

Each PC breakpoint register (PBR, PBR1, PBR2, or PBR3) specifies an instruction address that can be used to trigger a breakpoint. To support debugging in a virtual environment, an ASID can optionally be associated with the instruction address in the PC breakpoint registers. The optional specification of an ASID value is made using PBASID and its exact inclusion within the breakpoint specification defined by the PBAC.

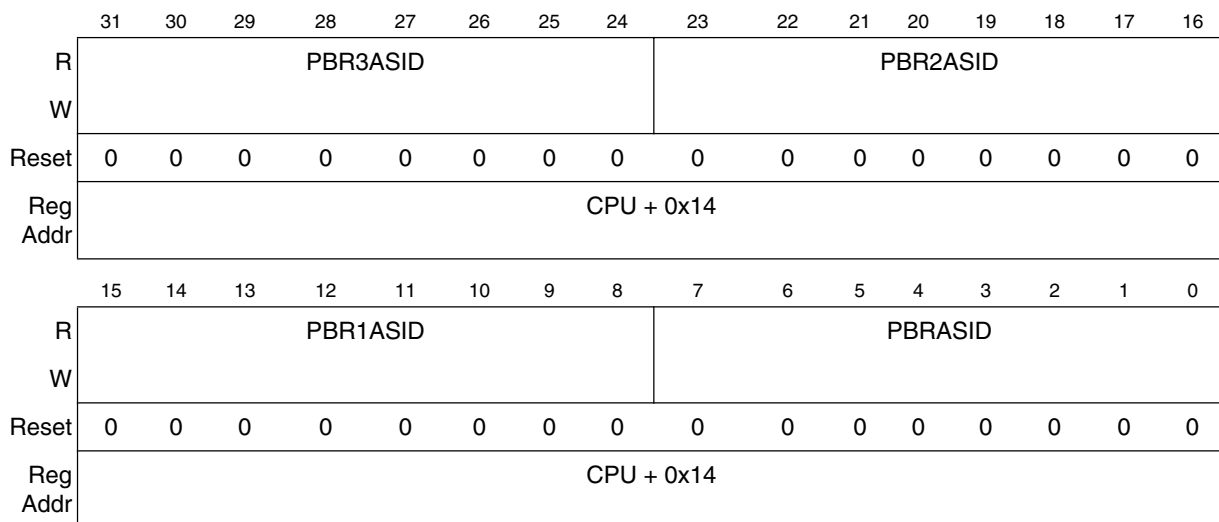


Figure 8-17. PC Breakpoint ASID Register (PBASID)

PBASID contains one 8-bit ASID values for each PC breakpoint register, as described in [Table 8-21](#), which allows each PC breakpoint register to be associated with a unique virtual address and process.

Table 8-21. PBASID Field Descriptions

Bits	Name	Description
31–24	PBA3SID	PBR3ASID. Corresponds to the ASID associated with PBR3.
23–16	PBA2SID	PBR2ASID. Corresponds to the ASID associated with PBR2.
15–8	PBA1SID	PBR1ASID. Corresponds to the ASID associated with PBR1.
7–0	PBASID	PBRASID. Corresponds to the ASID associated with PBR.

8.5 Background Debug Mode (BDM)

The ColdFire Family implements a low-level system debugger in the microprocessor hardware. Communication with the development system is handled through a dedicated, high-speed serial command interface. The ColdFire architecture implements the BDM controller in a dedicated hardware module. Although some BDM operations, such as CPU register accesses, require the CPU to be halted, all other BDM commands, such as memory accesses, can be executed while the processor is running.

BDM is useful for the following reasons:

- In-circuit emulation is not needed, so physical and electrical characteristics of the system are not affected.
- BDM is always available for debugging the system and provides a communication link for upgrading firmware in existing systems.
- Provides high-speed cache downloading (500 Kbytes/sec), especially useful for flash programming
- Provides absolute control of the processor, and thus the system. This feature allows quick hardware debugging with the same tool set used for firmware development.

8.5.1 CPU Halt

Although most BDM operations can occur in parallel with CPU operations, unrestricted BDM operation requires the CPU to be halted. The sources that can cause the CPU to halt are listed below, in order of priority:

1. A catastrophic fault-on-fault condition automatically halts the processor.
2. A hardware breakpoint can be configured to generate a pending halt condition similar to the assertion of BKPT. This type of halt is always first made pending in the processor. Next, the processor samples for pending halt and interrupt conditions once per instruction. When a pending condition is asserted, the processor halts execution at the next sample point. See [Section 8.6.1, “Theory of Operation.”](#)
3. The execution of a HALT instruction immediately suspends execution. Attempting to execute HALT in user mode while CSR[UHE] = 0 generates a privilege violation exception. If CSR[UHE] = 1, HALT can be executed in user mode. After HALT executes, the processor can be restarted by serial shifting a GO command into the debug module. Execution continues at the instruction after HALT.
4. The assertion of the $\overline{\text{BKPT}}$ input is treated as a pseudo-interrupt; that is, asserting $\overline{\text{BKPT}}$ creates a pending halt, which is postponed until the processor core samples for halts/interrupts. The processor samples for these conditions once during the execution of each instruction; if a pending halt is detected then, the processor suspends execution and enters the halted state.

The assertion of $\overline{\text{BKPT}}$ should be considered in the following two special cases:

- After the system reset signal is negated, the processor waits for 16 processor clock cycles before beginning reset exception processing. If the $\overline{\text{BKPT}}$ input is asserted within eight cycles after $\overline{\text{RSTI}}$ is negated, the processor enters the halt state, signaling halt status (0xF) on the PSTDDATA outputs. While the processor is in this state, all resources accessible through the debug module can be referenced. This is the only chance to force the processor into emulation mode through CSR[EMU].
After system initialization, the processor's response to the GO command depends on the set of BDM commands performed while it is halted for a breakpoint. Specifically, if the PC register was loaded, the GO command causes the processor to exit halted state and pass control to the instruction address in the PC, bypassing normal reset exception processing. If the PC was not loaded, the GO command causes the processor to exit halted state and continue reset exception processing.
- The ColdFire architecture also handles a special case of $\overline{\text{BKPT}}$ being asserted while the processor is stopped by execution of the STOP instruction. For this case, the processor exits the stopped mode and enters the halted state. At this point, all BDM commands may be exercised. When restarted, the processor continues by executing the next sequential instruction, that is, the instruction following the STOP opcode.

CSR[27–24] indicates the halt source, showing the highest priority source for multiple halt conditions. Debug module Revisions A and B clear CSR[27–24] upon a read of the CSR, but Revision C and D (in V4) do not. The debug GO command clears CSR[26–24].

HALT can be recognized by counting 0xFF occurrences on PSTDDATA. The count is necessary to determine between a possible data output value of 0xFF and the HALT condition. Because data always follows a marker (0x8, 0x9, 0xA, or 0xB), PSTDDATA can display no more than four data 0xFFs. Two such scenarios exist:

- A B marker occurs on the left nibble of PSTDDATA with the data of 0xFF following:
PSTDDATA[7:0]
0xBF
0xFF
0xFF
0xFF
0xFF (X indicates that the next PST value is guaranteed to not be 0xF)
- A B marker occurs on the right nibble of PSTDDATA with the data of 0xFF following:
PSTDDATA[7:0]
0xYB
0xFF
0xFF
0xFF
0xFF
0xXY (X indicates that the PST value is guaranteed to not be 0xF; and Y indicates a PSTDDATA value that doesn't affect the 0xFF count).

Thus, a count of either nine or more sequential single 0xF values or five or more sequential 0xFF values signifies the HALT condition.

8.5.2 BDM Serial Interface

When the CPU is halted and PSTDDATA reflects the halt status, the development system can send unrestricted commands to the debug module. The debug module implements a synchronous protocol using two inputs (DSCLK and DSI) and one output (DSO), where DSO is specified as a delay relative to the rising edge of the processor clock. See [Table 8-1](#). The development system serves as the serial communication channel master and must generate DSCLK.

The serial channel operates at a frequency from DC to 1/5 of the PSTCLK frequency. The channel uses full-duplex mode, where data is sent and received simultaneously by both master and slave devices. The transmission consists of 17-bit packets composed of a status/control bit and a 16-bit data word. As shown in [Figure 8-18](#), all state transitions are enabled on a rising edge of the PSTCLK clock when DSCLK is high; that is, DSI is sampled and DSO is driven.

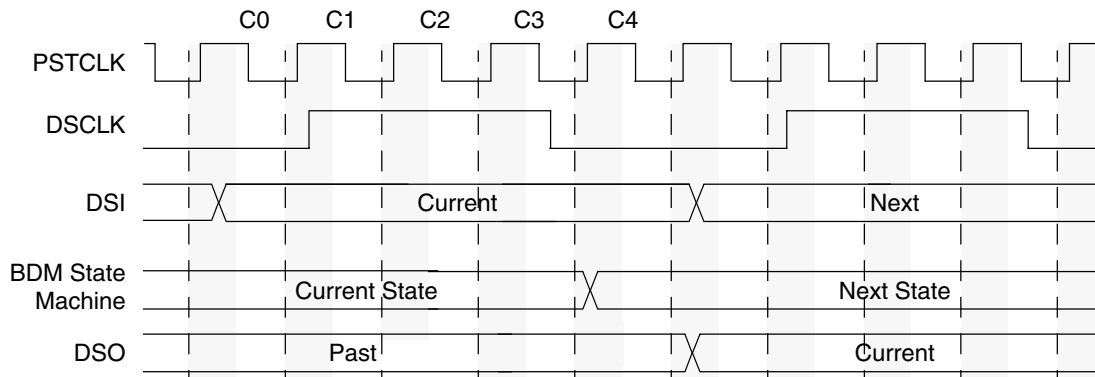


Figure 8-18. Maximum BDM Serial Interface Timing

DSCLK and DSI are synchronized inputs. DSCLK acts as a pseudo clock enable and is sampled, along with DSI, on the rising edge of PSTCLK. DSO is delayed from the DSCLK-enabled PSTCLK rising edge (registered after a BDM state machine state change). All events in the debug module's serial state machine are based on the PSTCLK rising edge. DSCLK must also be sampled low (on a positive edge of PSTCLK) between each bit exchange. The msb is sent first. Because DSO changes state based on an internally recognized rising edge of DSCLK, DSO cannot be used to indicate the start of a serial transfer. The development system must count clock cycles in a given transfer. C0–C4 are described as follows:

- C0: Set the state of the DSI bit.
- C1: First synchronization cycle for DSI (DSCLK is high).
- C2: Second synchronization cycle for DSI (DSCLK is high).
- C3: BDM state machine changes state depending upon DSI and whether the entire input data transfer has been transmitted.
- C4: DSO changes to next value.

NOTE

A not-ready response can be ignored except during a memory-referencing cycle. Otherwise, the debug module can accept a new serial transfer after 32 processor clock periods.

8.5.2.1 Receive Packet Format

The basic receive packet, [Figure 8-19](#), consists of 16 data bits and 1 status bit



Figure 8-19. Receive BDM Packet

[Table 8-22](#) describes receive BDM packet fields.

Table 8-22. Receive BDM Packet Field Description

Bits	Name	Description
16	S	Status. Indicates the status of CPU-generated messages listed below. The not-ready response can be ignored unless a memory-referencing cycle is in progress. Otherwise, the debug module can accept a new serial transfer after 32 processor clock periods. S DataMessage 0 xxxx Valid data transfer 0 0xFFFF Status OK 1 0x0000 Not ready with response; come again 1 0x0001 Error: Terminated bus cycle; data invalid 1 0xFFFF Illegal command
15–0	Data	Data. Contains the message to be sent from the debug module to the development system. The response message is always a single word, with the data field encoded as shown above.

8.5.2.2 Transmit Packet Format

The basic transmit packet, [Figure 8-20](#), consists of 16 data bits and 1 control bit.

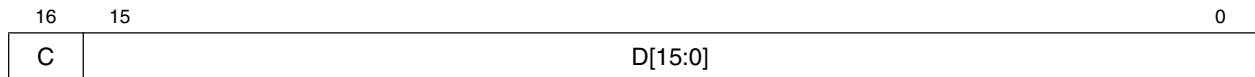


Figure 8-20. Transmit BDM Packet

[Table 8-23](#) describes transmit BDM packet fields.

Table 8-23. Transmit BDM Packet Field Description

Bits	Name	Description
16	C	Control. This bit is reserved. Command and data transfers initiated by the development system should clear C.
15–0	Data	Contains the data to be sent from the development system to the debug module.

8.5.3 BDM Command Set

[Table 8-24](#) summarizes the BDM command set. Subsequent paragraphs contain detailed descriptions of each command. Issuing a BDM command when the processor is accessing debug module registers using the WDEBUD instruction causes undefined behavior.

Table 8-24. BDM Command Summary

Command	Mnemonic	Description	CPU State ¹	Section	Command (Hex)
Read A/D register	rareg/ rdreg	Read the selected address or data register and return the results through the serial interface.	Halted	8.5.3.3.1	0x218 {A/D, Reg[2:0]}
Write A/D register	wareg/ wdreg	Write the data operand to the specified address or data register.	Halted	8.5.3.3.2	0x208 {A/D, Reg[2:0]}
Read memory location	read	Read the data at the memory location specified by the longword address.	Steal	8.5.3.3.3	0x1900—byte 0x1940—word 0x1980—lword
Write memory location	write	Write the operand data to the memory location specified by the longword address.	Steal	8.5.3.3.4	0x1800—byte 0x1840—word 0x1880—lword
Dump memory block	dump	Used with READ to dump large blocks of memory. An initial READ is executed to set up the starting address of the block and to retrieve the first result. A DUMP command retrieves subsequent operands.	Steal	8.5.3.3.5	0x1D00—byte 0x1D40—word 0x1D80—lword
Fill memory block	fill	Used with WRITE to fill large blocks of memory. An initial WRITE is executed to set up the starting address of the block and to supply the first operand. A FILL command writes subsequent operands.	Steal	8.5.3.3.6	0x1C00—byte 0x1C40—word 0x1C80—lword
Resume execution	go	The pipeline is flushed and refilled before resuming instruction execution at the current PC.	Halted	8.5.3.3.7	0x0C00
No operation	nop	Perform no operation; may be used as a null command.	Parallel	8.5.3.3.8	0x0000
Output the current PC	sync_pc	Capture the current PC and display it on the PSTDDATA output pins.	Parallel	8.5.3.3.9	0x0001
Read control register	rcreg	Read the system control register.	Halted	8.5.3.3.11	0x2980
Write control register	wcreg	Write the operand data to the system control register.	Halted	8.5.3.3.15	0x2880
Read debug module register	rdmreg	Read the debug module register.	Parallel	8.5.3.3.16	0x2D {0x4 ² DRc[4:0]}
Write debug module register	wdmreg	Write the operand data to the debug module register.	Parallel	8.5.3.3.17	0x2C {0x4 ² DRc[4:0]}

- ¹ General command effect and/or requirements on CPU operation:
- Halted. The CPU must be halted to perform this command.
 - Steal. Command generates bus cycles that can be interleaved with bus accesses.
 - Parallel. Command is executed in parallel with CPU activity.

² 0x4 is a three-bit field.

Unassigned command opcodes are reserved by Freescale. All unused command formats within any revision level perform a NOP and return the illegal command response.

8.5.3.1 ColdFire BDM Command Format

All ColdFire Family BDM commands include a 16-bit operation word followed by an optional set of one or more extension words, as shown in [Figure 8-21](#).

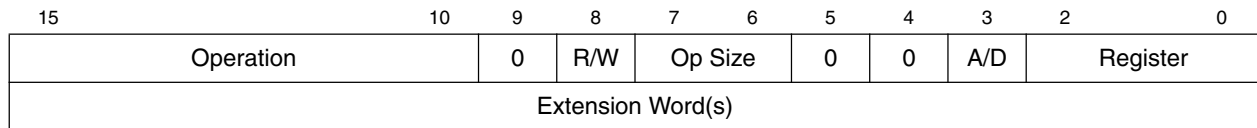


Figure 8-21. BDM Command Format

[Table 8-25](#) describes BDM fields.

Table 8-25. BDM Field Descriptions

Bit	Name	Description
15–10	Operation	Specifies the command. These values are listed in Table 8-24 .
9	—	Reserved
8	R/W	Direction of operand transfer. 0 Data is written to the CPU or to memory from the development system. 1 The transfer is from the CPU to the development system.
7–6	Operand Size	Operand data size for sized operations. Addresses are expressed as 32-bit absolute values. Note that a command performing a byte-sized memory read leaves the upper 8 bits of the response data undefined. Referenced data is returned in the lower 8 bits of the response. Operand SizeBit Values 00 Byte8 bits 01 Word16 bits 10 Longword32 bits 11 Reserved—
5–4	—	Reserved
3	A/D	Address/data. Determines whether the register field specifies a data or address register. 0 Indicates a data register. 1 Indicates an address register.
2–0	Register	Contains the register number in commands that operate on processor registers.

8.5.3.1.1 Extension Words as Required

Some commands require extension words for addresses or immediate data. Addresses require two extension words because only absolute long addressing is permitted. Longword accesses are forcibly longword-aligned and word accesses are forcibly word-aligned. Immediate data can be 1 or 2 words long. Byte and word data each requires one extension word and longword data requires two extension words.

Operands and addresses are transferred most-significant word first. In the following descriptions of the BDM command set, the optional set of extension words is defined as address, data, or operand data.

8.5.3.2 Command Sequence Diagrams

The command sequence diagram in [Figure 8-22](#) shows serial bus traffic for commands. Each bubble represents a 17-bit bus transfer. The top half of each bubble indicates the data the development system

sends to the debug module; the bottom half indicates the debug module's response to the previous development system commands. Command and result transactions overlap to minimize latency.

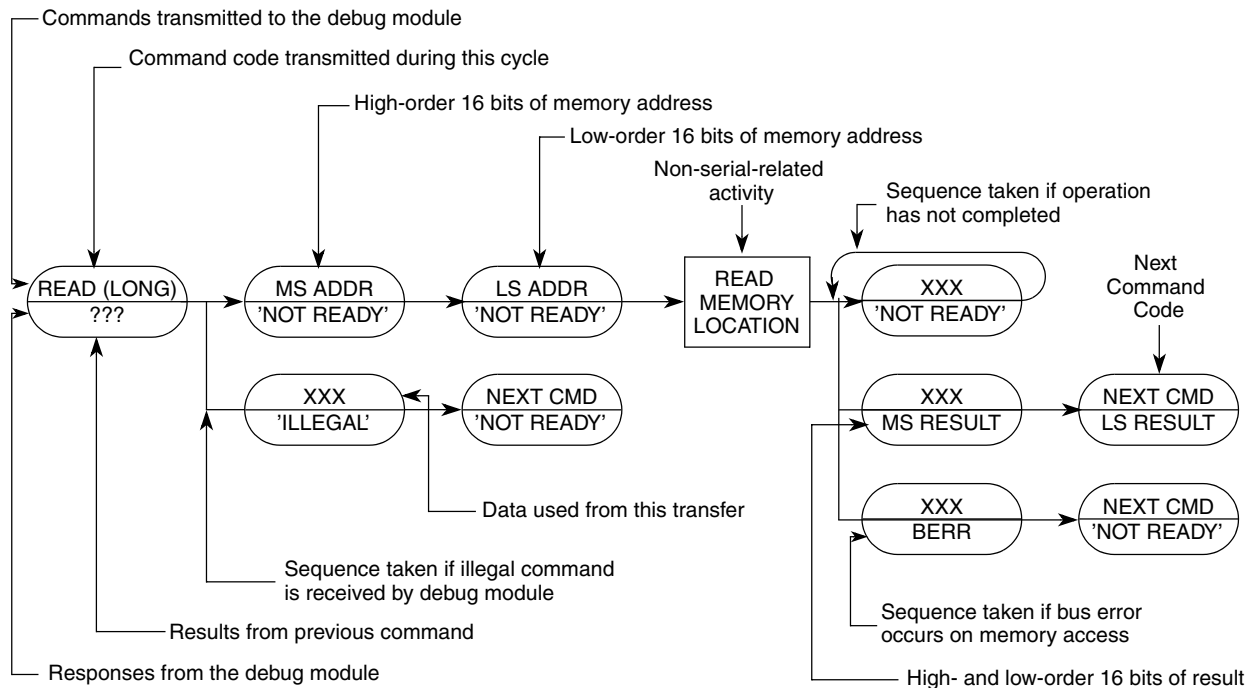


Figure 8-22. Command Sequence Diagram

The sequence is as follows:

- In cycle 1, the development system command is issued (READ in this example). The debug module responds with either the low-order results of the previous command or a command complete status of the previous command, if no results are required.
- In cycle 2, the development system supplies the high-order 16 address bits. The debug module returns a not-ready response unless the received command is decoded as unimplemented, which is indicated by the illegal command encoding. If this occurs, the development system should retransmit the command.

NOTE

A not-ready response can be ignored except during a memory-referencing cycle. Otherwise, the debug module can accept a new serial transfer after 32 processor clock periods.

- In cycle 3, the development system supplies the low-order 16 address bits. The debug module always returns a not-ready response.
- At the completion of cycle 3, the debug module initiates a memory read operation. Any serial transfers that begin during a memory access return a not-ready response.
- Results are returned in the two serial transfer cycles after the memory access completes. For any command performing a byte-sized memory read operation, the upper 8 bits of the response data are undefined and the referenced data is returned in the lower 8 bits. The next command's opcode is sent to the debug module during the final transfer. If a memory or register access is terminated with a bus error, the error status ($S = 1$, $DATA = 0x0001$) is returned instead of result data.

8.5.3.3 Command Set Descriptions

The following sections describe the commands summarized in [Table 8-24](#).

NOTE

The BDM status bit (S) is 0 for normally completed commands. S = 1 for illegal commands, not-ready responses, and transfers with bus-errors. [Section 8.5.2, “BDM Serial Interface,”](#) describes the receive packet format.

Freescale reserves unassigned command opcodes for future expansion. Unused command formats in any revision level perform a NOP and return an illegal command response.

8.5.3.3.1 Read A/D Register (RAREG/RDREG)

Read the selected address or data register and return the 32-bit result. A bus error response is returned if the CPU core is not halted.

Command/Result Formats:

	15	12	11	8	7	4	3	2	0
Command	0x2		0x1		0x8		A/D	Register	
Result	D[31:16]								
	D[15:0]								

Figure 8-23. RAREG/RDREG Command Format

Command Sequence:

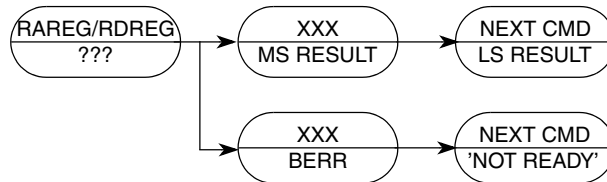


Figure 8-24. RAREG/RDREG Command Sequence

Operand Data: None

Result Data: The contents of the selected register are returned as a longword value, most-significant word first.

8.5.3.3.2 Write A/D Register (WAREG/WDREG)

The operand longword data is written to the specified address or data register. A write alters all 32 register bits. A bus error response is returned if the CPU core is not halted.

Command Format:

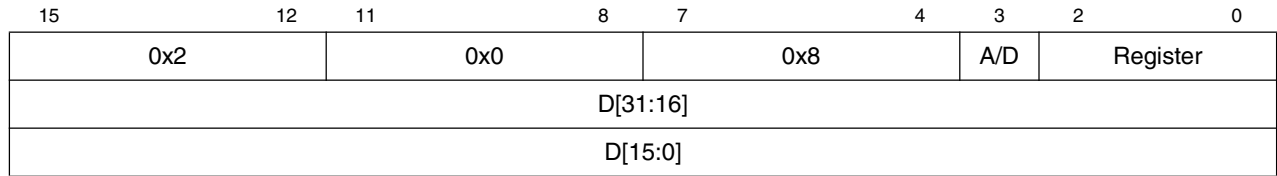


Figure 8-25. WAREG/WDREG Command Format

Command Sequence

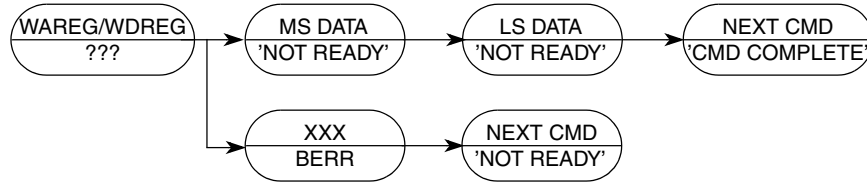


Figure 8-26. WAREG/WDREG Command Sequence

Operand Data Longword data is written into the specified address or data register. The data is supplied most-significant word first.

Result Data Command complete status is indicated by returning 0xFFFF (with S cleared) when the register write is complete.

8.5.3.3.3 Read Memory Location (READ)

Read data at the longword address. Address space is defined by BAAR[TT, TM]. Hardware forces low-order address bits to zeros for word and longword accesses to ensure that word addresses are word-aligned and longword addresses are longword-aligned.

Command/Result Formats:

		15	12	11	8	7	4	3	0	
Byte	Command	0x1			0x9			0x0		0x0
		A[31:16]								
		A[15:0]								
	Result	X	X	X	X	X	X	D[7:0]		
Word	Command	0x1			0x9			0x4		0x0
		A[31:16]								
		A[15:0]								
	Result	D[15:0]								
Longword	Command	0x1			0x9			0x8		0x0
		A[31:16]								
		A[15:0]								
	Result	D[31:16]								
D[15:0]										

Figure 8-27. READ Command/Result Formats

Command Sequence:

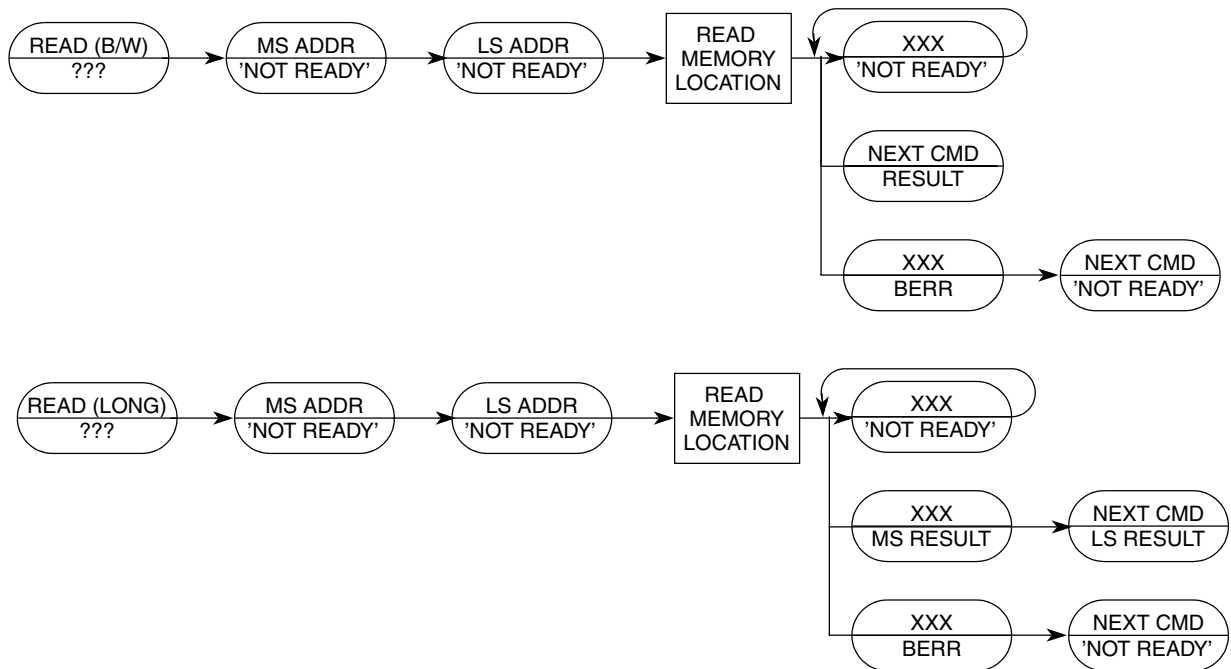


Figure 8-28. READ Command Sequence

Operand Data The only operand is the longword address of the requested location.

Result Data

Word results return 16 bits of data; longword results return 32. Bytes are returned in the LSB of a word result, the upper byte is undefined. 0x0001 (S = 1) is returned if a bus error occurs.

8.5.3.3.4 Write Memory Location (WRITE)

Write data to the memory location specified by the longword address. The address space is defined by BAAR[TT, TM]. Hardware forces low-order address bits to zeros for word and longword accesses to ensure that word addresses are word-aligned and longword addresses are longword-aligned.

Command Formats:

	15	12	11	8	7	4	3	1	
Byte	0x1			0x8			0x0		0x0
	A[31:16]								
	A[15:0]								
	X	X	X	X	X	X	X	D[7:0]	
Word	0x1			0x8			0x4		0x0
	A[31:16]								
	A[15:0]								
	D[15:0]								
Longword	0x1			0x8			0x8		0x0
	A[31:16]								
	A[15:0]								
	D[31:16]								
	D[15:0]								

Figure 8-29. WRITE Command Format

Command Sequence:

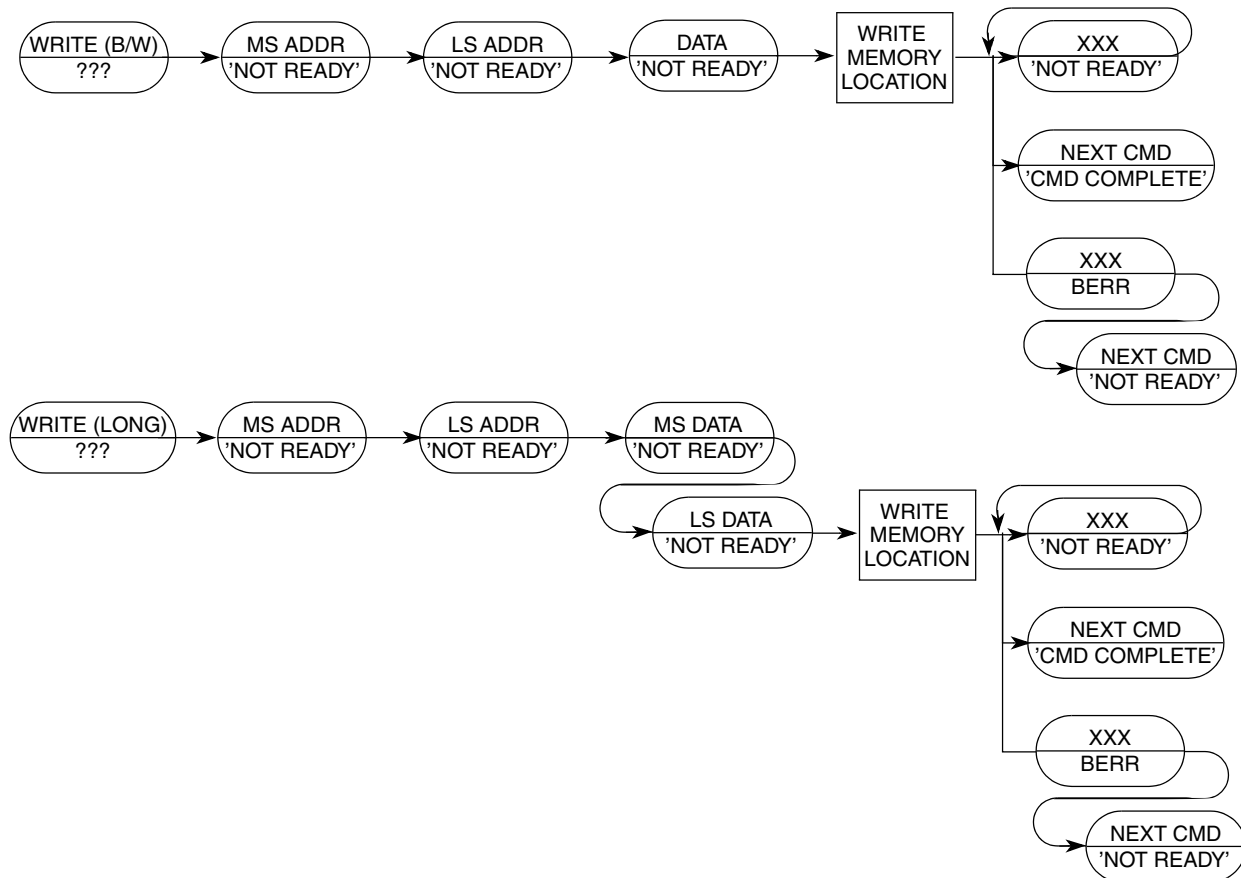


Figure 8-30. WRITE Command Sequence

Operand Data	This two-operand instruction requires a longword absolute address that specifies a location to which the data operand is to be written. Byte data is sent as a 16-bit word, justified in the LSB; 16- and 32-bit operands are sent as 16 and 32 bits, respectively.
Result Data	Command complete status is indicated by returning 0xFFFF (with S cleared) when the register write is complete. A value of 0x0001 (with S set) is returned if a bus error occurs.

8.5.3.3.5 Dump Memory Block (DUMP)

DUMP is used with the READ command to access large blocks of memory. An initial READ is executed to set up the starting address of the block and to retrieve the first result. If an initial READ is not executed before the first DUMP, an illegal command response is returned. The DUMP command retrieves subsequent operands. The initial address is incremented by the operand size (1, 2, or 4) and saved in a temporary register. Subsequent DUMP commands use this address, perform the memory read, increment it by the current operand size, and store the updated address in the temporary register.

NOTE

DUMP does not check for a valid address; it is a valid command only when preceded by NOP, READ, or another DUMP command. Otherwise, an illegal command response is returned. NOP can be used for intercommand padding without corrupting the address pointer.

The size field is examined each time a DUMP command is processed, allowing the operand size to be dynamically altered.

Command/Result Formats:

		15	12	11	8	7	4	3	0	
Byte	Command	0x1				0xD				0x0
	Result	X	X	X	X	X	D[7:0]			
Word	Command	0x1				0xD				0x4
	Result	D[15:0]								
Longword	Command	0x1				0xD				0x8
	Result	D[31:16]								
		D[15:0]								

Figure 8-31. DUMP Command/Result Formats

Command Sequence:

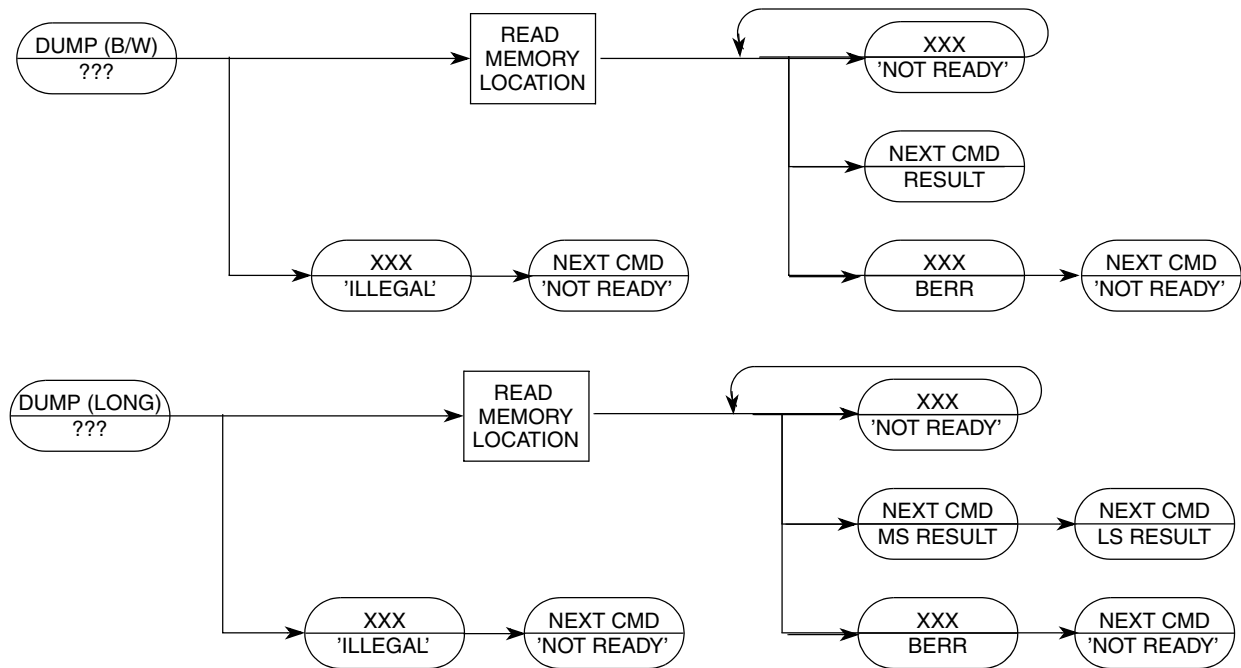


Figure 8-32. DUMP Command Sequence

Operand Data: None

Result Data: Requested data is returned as either a word or longword. Byte data is returned in the least-significant byte of a word result. Word results return 16 bits of significant data; longword results return 32 bits. A value of 0x0001 (with S set) is returned if a bus error occurs.

8.5.3.3.6 Fill Memory Block (FILL)

A FILL command is used with the WRITE command to access large blocks of memory. An initial WRITE is executed to set up the starting address of the block and to supply the first operand. The FILL command writes subsequent operands. The initial address is incremented by the operand size (1, 2, or 4) and saved in a temporary register after the memory write. Subsequent FILL commands use this address, perform the write, increment it by the current operand size, and store the updated address in the temporary register.

If an initial WRITE is not executed preceding the first FILL command, the illegal command response is returned.

NOTE

The FILL command does not check for a valid address: FILL is a valid command only when preceded by another FILL, a NOP, or a WRITE command. Otherwise, an illegal command response is returned. The NOP command can be used for intercommand padding without corrupting the address pointer.

The size field is examined each time a FILL command is processed, allowing the operand size to be altered dynamically.

Command Formats:

	15	12	11	8	7	4	3	0		
Byte	0x1				0xC				0x0	0x0
	X	X	X	X	X	X	X	X	D[7:0]	
Word	0x1				0xC				0x4	0x0
	D[15:0]									
Longword	0x1				0xC				0x8	0x0
	D[31:16]									
	D[15:0]									

Figure 8-33. FILL Command Format

Command Sequence:

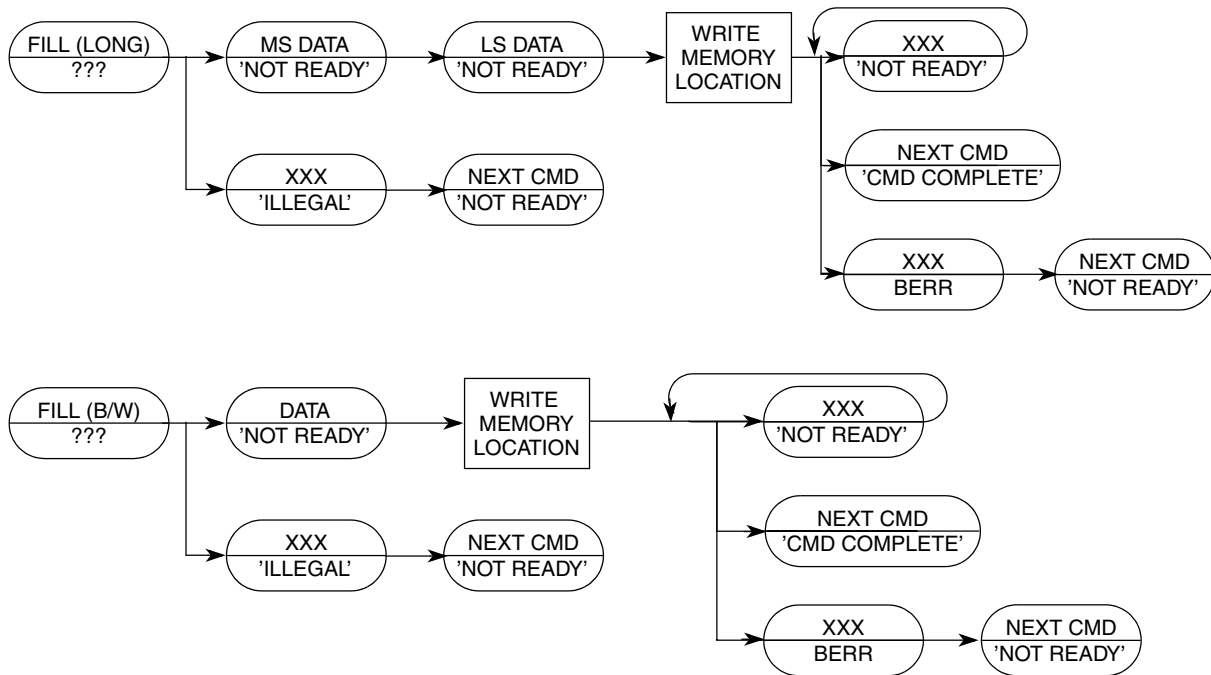


Figure 8-34. FILL Command Sequence

Operand Data: A single operand is data to be written to the memory location. Byte data is sent as a 16-bit word, justified in the least-significant byte; 16- and 32-bit operands are sent as 16 and 32 bits, respectively.

Result Data: Command complete status (0xFFFF) is returned when the register write is complete. A value of 0x0001 (with S set) is returned if a bus error occurs.

8.5.3.3.7 Resume Execution (GO)

The pipeline is flushed and refilled before normal instruction execution resumes. Prefetching begins at the current address in the PC and at the current privilege level. If any register (such as the PC or SR) is altered by a BDM command while the processor is halted, the updated value is used when prefetching resumes. If a GO command is issued and the CPU is not halted, the command is ignored.

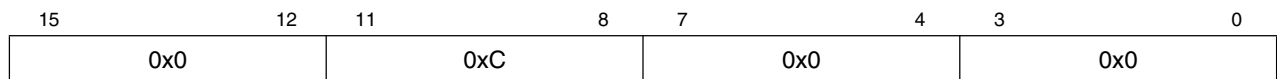


Figure 8-35. GO Command Format

Command Sequence:

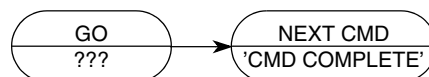


Figure 8-36. GO Command Sequence

Operand Data: None
 Result Data: The command-complete response (0xFFFF) is returned during the next shift operation.

8.5.3.3.8 No Operation (NOP)

NOP performs no operation and may be used as a null command where required.

Command Formats:

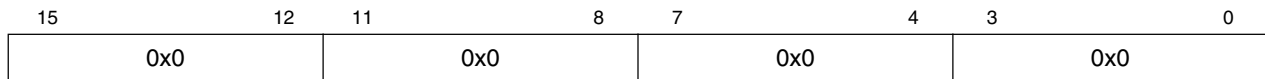


Figure 8-37. NOP Command Format

Command Sequence:

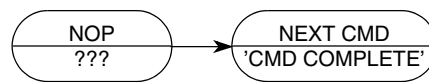


Figure 8-38. NOP Command Sequence

Operand Data: None
 Result Data: The command-complete response, 0xFFFF (with S cleared), is returned during the next shift operation.

8.5.3.3.9 Synchronize PC to the PSTDDATA Lines (SYNC_PC)

The SYNC_PC command captures the current PC and displays it on the PSTDDATA outputs. After the debug module receives the command, it sends a signal to the ColdFire processor that the current PC must be displayed. The processor then forces an instruction fetch at the next PC with the address being captured in the DDATA logic under control of CSR[BTB]. The specific sequence of PSTDDATA values is as follows:

1. Debug signals a SYNC_PC command is pending.
2. CPU completes the current instruction.
3. CPU forces an instruction fetch to the next PC, generates a PST = 0x5 value indicating a taken branch and signals the capture of DDATA.
4. The instruction address corresponding to the PC is captured.
5. The PST marker (0x9–0xB) is generated and displayed as defined by CSR[BTB] followed by the captured PC address.

If the option to display ASID is enabled (CSR[3] = 1), the 8-bit ASID follows the address. That is, the PSTDDATA sequence is {0x5, Marker, Instruction Address, 0x8, ASID}, where the 0x8 is the marker for the ASID.

The SYNC_PC command can be used to dynamically access the PC for performance monitoring. The execution of this command is considerably less obtrusive to the real-time operation of an application than a HALT-CPU/READ-PC/RESUME command sequence.

Command Formats:

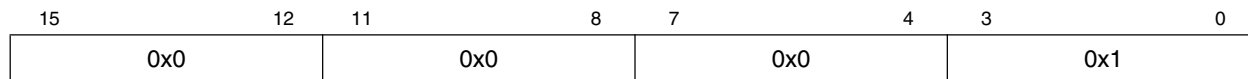


Figure 8-39. SYNC_PC Command Format

Command Sequence:

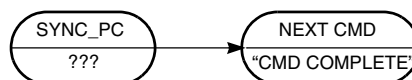


Figure 8-40. SYNC_PC Command Sequence

Operand Data: None

Result Data: Command complete status (0xFFFF) is returned when the register write is complete.

8.5.3.3.10 Force Transfer Acknowledge (FORCE_TA)

DEBUG_D logic implements the new FORCE_TA serial BDM command to resolve a hung bus condition. In some system designs, references to certain unmapped memory addresses may cause the external bus to hang with no transfer acknowledge generated by any bus responders. The FORCE_TA forces generation of a transfer acknowledge signal, which can be logically summed into the normal acknowledge logic located in the system integration module (SIM) outside of the ColdFire core.

There are two scenarios of interest, one caused by a processor access and the other caused by a BDM access. The following sequences identify the operations needed to break the hung bus condition:

- Bus hang caused by processor or external or internal alternate master:
 - Assert the breakpoint input to force a processor core halt.
 - If the bus hang was caused by a processor access, send in FORCE_TA commands until the processor is halted, as signaled by PST = 0xF. Due to pipeline and store buffer depths, many memory accesses may be queued up behind the access causing the bus hang. Repeated FORCE_TA commands eventually allow processing of all these pending accesses. As soon as the processor is halted, the system reaches a quiescent, controllable state.
 - If the hang was caused by another master, such as a DMA channel, the processor can halt immediately. In this case as well, multiple assertions of the FORCE_TA command may be required to terminate the alternate master’s errant access.
- Bus hang caused by BDM access:
 - It is assumed the processor is already halted at the time of the errant BDM access. To resolve the hung bus, it is necessary to process four or more FORCE_TA commands, because the BDM command may have initiated a cache line access that fetches 4 longwords, each needing a unique transfer acknowledge.

Formats:

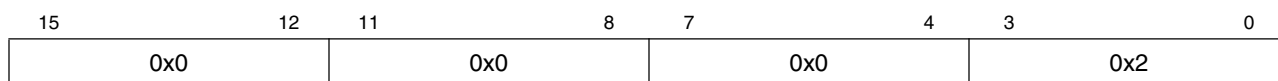


Figure 8-41. FORCE_TA Command

Command Sequence:

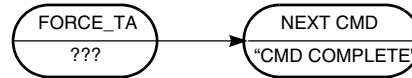


Figure 8-42. FORCE_TA Command Sequence

Operand Data: None

Result Data: The command complete response, 0xFFFF (with the status bit cleared), is returned during the next shift operation. This response indicates the FORCE_TA command was processed correctly and does not necessarily reflect the status of any internal bus.

8.5.3.3.11 Read Control Register (RCREG)

Read the selected control register and return the 32-bit result. Accesses to the processor/memory control registers are always 32 bits wide, regardless of register width. The second and third words of the command form a 32-bit address, which the debug module uses to generate a special bus cycle to access the specified control register. The 12-bit Rc field is the same as that used by the MOVEC instruction.

Command/Result Formats:

	15	12	11	8	7	4	3	0
Command	0x2		0x9		0x8		0x0	
	0x0		0x0		0x0		0x0	
	0x0		Rc					
Result	D[31:16]							
	D[15:0]							

Figure 8-43. RCREG Command/Result Formats

Command Sequence:

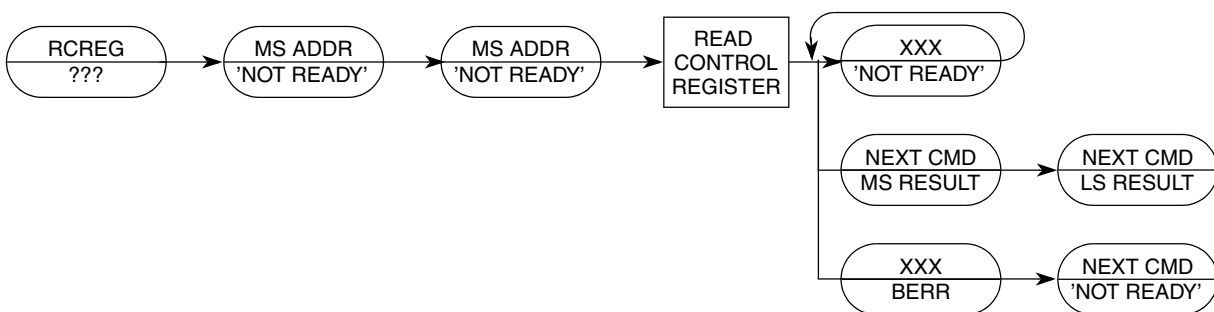


Figure 8-44. RCREG Command Sequence

Operand Data: The only operand is the 32-bit Rc control register select field.

Result Data: Control register contents are returned as a longword, most-significant word first. The implemented portion of registers smaller than 32 bits is guaranteed correct; other bits are undefined.

Rc encoding: See [Table 8-26](#).

Table 8-26. ColdFire CPU Control Register Map

Name	CPU Space (Rc)	Register Name
Memory Management Control Registers		
CACR	0x002	Cache control register
ASID	0x003	Address space identifier
ACR0–ACR3	0x004–0x007	Access control registers 0–3
MMUBAR	0x008	MMU base address register
Processor General-Purpose Registers		
D0–D7	0x(0,1)80–0x(0,1)87	Data registers 0–7 (0 = load, 1 = store)
A0–A7	0x(0,1)88–0x(0,1)8F	Address registers 0–7 (0 = load, 1 = store) A7 is user stack pointer
Processor Miscellaneous Registers		
OTHER_A7	0x800	Other stack pointer
VBR	0x801	Vector base register
MACSR	0x804	MAC status register
MASK	0x805	MAC address mask register
SR	0x80E	Status register
PC	0x80F	Program counter
Processor Floating-Point Registers		
FPU0	0x810	32 msbs of floating-point data register 0
FPL0	0x811	32 lsbs of floating-point data register 0
FPU1	0x812	32 msbs of floating-point data register 1
FPL1	0x813	32 lsbs of floating-point data register 1
FPU2	0x814	32 msbs of floating-point data register 2
FPL2	0x815	32 lsbs of floating-point data register 2
FPU3	0x816	32 msbs of floating-point data register 3
FPL3	0x817	32 lsbs of floating-point data register 3
FPU4	0x818	32 msbs of floating-point data register 4
FPL4	0x819	32 lsbs of floating-point data register 4
FPU5	0x81A	32 msbs of floating-point data register 5
FPL5	0x81B	32 lsbs of floating-point data register 5
FPU6	0x81C	32 msbs of floating-point data register 6

Table 8-26. ColdFire CPU Control Register Map

Name	CPU Space (Rc)	Register Name
FPL6	0x81D	32 lsbs of floating-point data register 6
FPU7	0x81E	32 msbs of floating-point data register 7
FPL7	0x81F	32 lsbs of floating-point data register 7
FPIAR	0x821	Floating-point instruction address register
FPSR	0x822	Floating-point status register
FPCR	0x824	Floating-point control register
Local Memory and Module Control Registers		
RAMBAR0	0xC04	RAM base address register 0
RAMBAR1	0xC05	RAM base address register 1
MBAR	0xC0F	Primary module base address register (not a core register)

8.5.3.3.12 BDM Accesses of the Stack Pointer Registers (A7: SSP and USP)

The Version 4 ColdFire core supports two unique stack pointer (A7) registers: the supervisor stack pointer (SSP) and the user stack pointer (USP). The hardware implementation of these two programmable-visible 32-bit registers does not uniquely identify one as the SSP and the other as the USP. Rather, the hardware uses one 32-bit register as the currently-active A7; the other is named simply the OTHER_A7. Thus, the contents of the two hardware registers is a function of the operating mode of the processor:

```
if SR[S] = 1
    then
        A7 = Supervisor Stack Pointer
        OTHER_A7 = User Stack Pointer
    else
        A7 = User Stack Pointer
        OTHER_A7 = Supervisor Stack Pointer
```

The BDM programming model supports reads and writes to A7 and OTHER_A7 directly. It is the responsibility of the external development system to determine the mapping of A7 and OTHER_A7 to the two program-visible definitions (supervisor and user stack pointers), based on the SR[S].

8.5.3.3.13 BDM Accesses of the EMAC Registers

The presence of rounding logic in the output datapath of the EMAC requires special care for BDM-initiated reads and writes of its programming model. In particular, any result rounding modes must be disabled during the read/write process so the exact bit-wise EMAC register contents are accessed.

For example, a BDM read of an accumulator (ACCx) requires the following sequence:

```
BdmReadACCx (
    rcreg    macsr;                // read current macsr contents & save
    wcreg    #0,macsr;            // disable all rounding modes
    rcreg    ACCx;                // read the desired accumulator
    wcreg    #saved_data,macsr;   // restore the original macsr
)
```

Likewise, to write an accumulator register, the following BDM sequence is needed:

```
BdmWriteACCx (
    rcreg    macsr;           // read current macsr contents & save
    wcreg    #0,macsr;       // disable all rounding modes
    wcreg    #data,ACCx;     // write the desired accumulator
    wcreg    #saved_data,macsr; // restore the original macsr
)
```

Additionally, writes to the accumulator extension registers must be performed after the corresponding accumulators are updated because a write to any accumulator alters the corresponding extension register contents.

For more information on saving and restoring the complete EMAC programming model, see the appropriate section of the EMAC chapter.

8.5.3.3.14 BDM Accesses of Floating-Point Data Registers (FP n)

The ColdFire debug architecture allows BDM accesses of the entire programming model (including all FPU-related registers) of the processor core using RCREG and WCREG. However, certain hardware restrictions require the accesses related to the 64-bit FP n data registers be performed in a certain manner to guarantee correct operation.

The serial BDM command structure supports 8-, 16- and 32-bit accesses, but there is no direct mechanism for accessing 64-bit data values. Rather than changing this well-established protocol and command set, BDM accesses of 64-bit data values are treated as two independent 32-bit references. In particular, 64-bit FP n data registers are treated as two separate values from the BDM perspective. Each FP n is partitioned into upper and lower longwords, FPU n and FPL n .

Either longword can be read first. The processor treats the BDM read command as a pseudo-FMOVEM. Accordingly, all rounding modes and exception enables are ignored and the 32-bit contents of FPU n or FPL n are sent to the debug module for transmission over the serial communication channel. The FPU programming model is unchanged.

To write to an FPU data register, FPU n must be written first and followed by a write to FPL n . The processor operates as follows: the BDM write to FPU n is performed, which loads the upper 32 bits of an internal double-precision operand register; the BDM write to FPL n loads the supplied operand into the lower 32 bits of the same internal register, and the entire 64-bit value is loaded into the selected FP n . Failure to execute this sequence of commands produces an undefined value in the FPU n .

Note that any BDM write of an FPU register changes the internal state from NULL to IDLE.

8.5.3.3.15 Write Control Register (WCREG)

The operand (longword) data is written to the specified control register. The write alters all 32 register bits. See the RCREG instruction description for the Rc encoding and for additional notes on writes to the A7 stack pointers and the EMAC and FPU programming models.

Command/Result Formats:

	15	12	11	8	7	4	3	0
Command	0x2		0x8		0x8		0x0	
	0x0		0x0		0x0		0x0	
	0x0		Rc					
Result	D[31:16]							
	D[15:0]							

Figure 8-45. WCREG Command/Result Formats

Command Sequence:

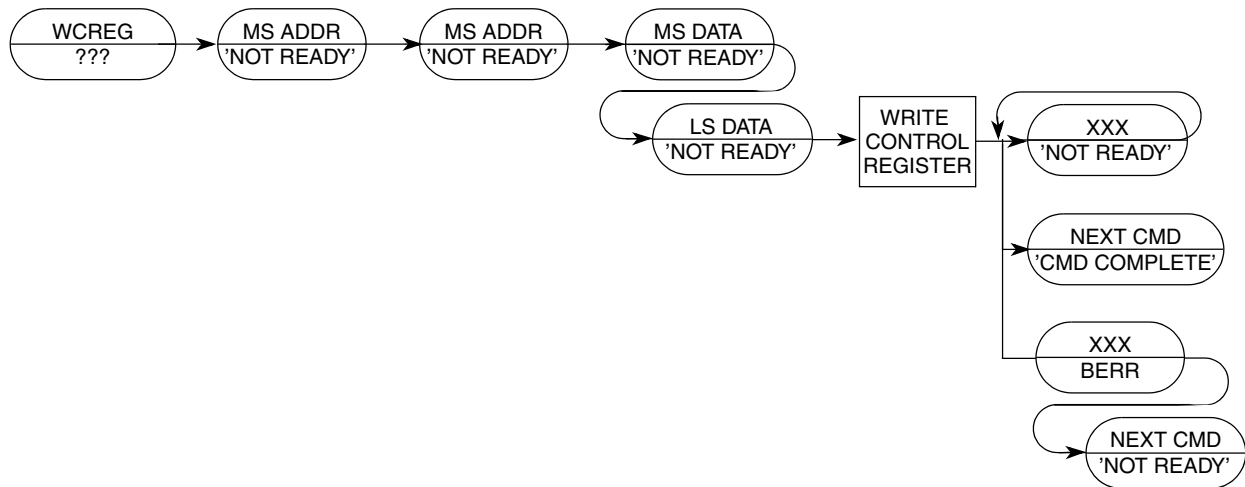


Figure 8-46. WCREG Command Sequence

Operand Data: This instruction requires two longword operands. The first selects the register to which the operand data is to be written; the second contains the data.

Result Data: Successful write operations return 0xFFFF. Bus errors on the write cycle are indicated by the setting of bit 16 in the status message and by a data pattern of 0x0001.

8.5.3.3.16 Read Debug Module Register (RDMREG)

Read the selected debug module register and return the 32-bit result. The only valid register selection for the RDMREG command is CSR (DRc = 0x00). Note that this read of the CSR clears the trigger status bits (CSR[BSTAT]) if either a level-2 breakpoint has been triggered or a level-1 breakpoint has been triggered and no level-2 breakpoint has been enabled.

Command/Result Formats:

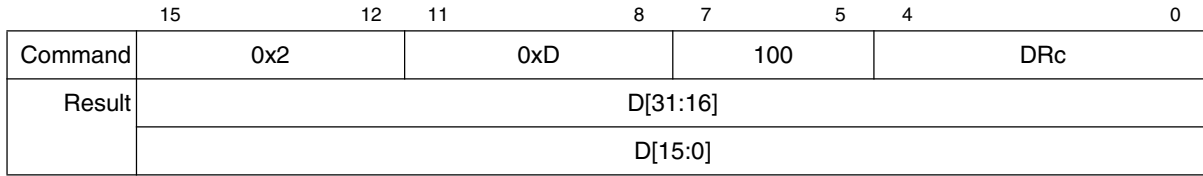


Figure 8-47. RDMREG BDM Command/Result Formats

Table 8-27 shows the definition of DRc encoding.

Table 8-27. Definition of DRc Encoding—Read

DRc[4:0]	Debug Register Definition	Mnemonic	Initial State	Page
0x00	Configuration/Status	CSR	0x0	p. 8-15
0x01–0x1F	Reserved	—	—	—

Command Sequence:

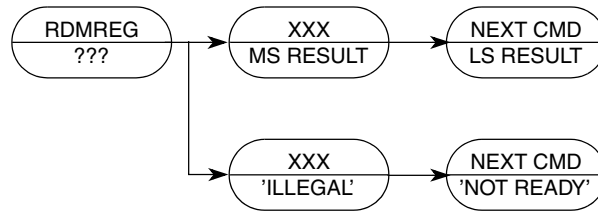


Figure 8-48. RDMREG Command Sequence

Operand Data: None

Result Data: The contents of the selected debug register are returned as a longword value. The data is returned most-significant word first.

8.5.3.3.17 Write Debug Module Register (WDMREG)

The operand (longword) data is written to the specified debug module register. All 32 bits of the register are altered by the write. DSCLK must be inactive while the debug module register writes from the CPU accesses are performed using the WDEBUG instruction.

Command Format:

Figure 8-49. WDMREG BDM Command Format

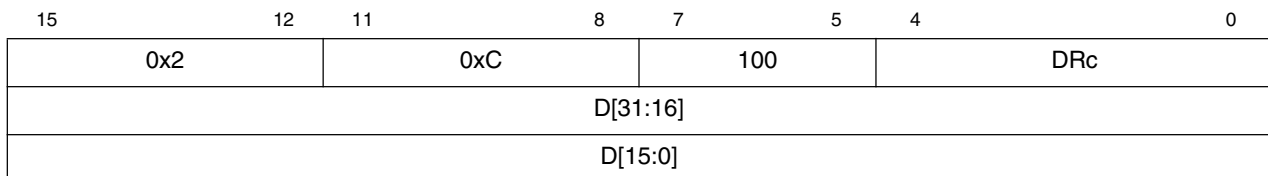


Table 8-6 shows the definition of the DRc write encoding.

Command Sequence:

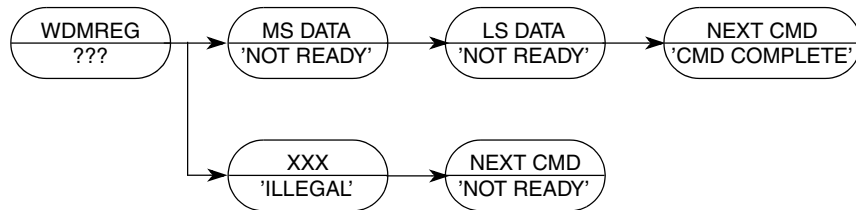


Figure 8-50. WDMREG Command Sequence

Operand Data: Longword data is written into the specified debug register. The data is supplied most-significant word first.

Result Data: Command complete status (0xFFFF) is returned when register write is complete.

8.6 Real-Time Debug Support

The ColdFire Family provides support debugging real-time applications. For these types of embedded systems, the processor must continue to operate during debug. The foundation of this area of debug support is that while the processor cannot be halted to allow debugging, the system can generally tolerate the small intrusions of the BDM inserting instructions into the pipeline with minimal effect on real-time operation.

The debug module provides three types of breakpoints: PC with mask, operand address range, and data with mask. These breakpoints can be configured into one- or two-level triggers with the exact trigger response also programmable. The debug module programming model can be written from either the external development system using the debug serial interface or from the processor's supervisor programming model using the WDEBUG instruction. Only CSR is readable using the external development system.

8.6.1 Theory of Operation

Breakpoint hardware can be configured through TDR[TCR] to respond to triggers by displaying PSTDDATA, initiating a processor halt, or generating a debug interrupt. As shown in Table 8-28, when a breakpoint is triggered, an indication (CSR[BSTAT]) is provided on the PSTDDATA output port of the DDATA information when it is not displaying captured processor status, operands, or branch addresses. See Section 8.3.2, "Processor Stopped or Breakpoint State Change (PST = 0xE)."

Table 8-28. PSTDDATA Nibble/CSR[BSTAT] Breakpoint Response

PSTDDATA Nibble/CSR[BSTAT] ¹	Breakpoint Status
0000/0000	No breakpoints enabled
0010/0001	Waiting for level-1 breakpoint
0100/0010	Level-1 breakpoint triggered
1010/0101	Waiting for level-2 breakpoint
1100/0110	Level-2 breakpoint triggered

¹ Encodings not shown are reserved for future use.

The breakpoint status is also posted in CSR. Note that CSR[BSTAT] is cleared by a CSR read when either a level-2 breakpoint is triggered or a level-1 breakpoint is triggered and a level-2 breakpoint is not enabled. Status is also cleared by writing to either TDR or XTDR to disable trigger options.

BDM instructions use the appropriate registers to load and configure breakpoints. As the system operates, a breakpoint trigger generates the response defined in TDR.

PC breakpoints are treated in a precise manner: exception recognition and processing are initiated before the excepting instruction is executed. All other breakpoint events are recognized on the processor's local bus, but are made pending to the processor and sampled like other interrupt conditions. As a result, these interrupts are said to be imprecise.

In systems that tolerate the processor being halted, a BDM-entry can be used. With TDR[TRC] = 01, a breakpoint trigger causes the core to halt (PST = 0xF).

If the processor core cannot be halted, the debug interrupt can be used. With this configuration, TDR[TRC] = 10, the breakpoint trigger becomes a debug interrupt to the processor, which is treated higher than the nonmaskable level-7 interrupt request. As with all interrupts, it is made pending until the processor reaches a sample point, which occurs once per instruction. Again, the hardware forces the PC breakpoint to occur before the targeted instruction executes and is precise. This is possible because the PC breakpoint is enabled when interrupt sampling occurs. For address and data breakpoints, reporting is considered imprecise because several instructions may execute after the triggering address or data is detected.

As soon as the debug interrupt is recognized, the processor aborts execution and initiates exception processing. This event is signaled externally by the assertion of a unique PST value (PST = 0xD) for multiple cycles. The core enters emulator mode when exception processing begins. After the standard 8-byte exception stack is created, the processor fetches a unique exception vector from the vector table. [Table 8-29](#) describes the two unique entries that distinguish PC breakpoints from other trigger events.

Table 8-29. Exception Vector Assignments

Vector Number	Vector Offset (Hex)	Stacked Program Counter	Assignment
12	0x030	Next	Non-PC-breakpoint debug interrupt
13	0x034	Next	PC-breakpoint debug interrupt

(Refer to the *ColdFire Programmer's Reference Manual*.)

In the case of a two-level trigger, the last breakpoint event determines the exception vector; however, if the second-level trigger is PC || Address {&& Data} (as shown in the last condition in the code example in [Section 8.4.9.1, "Resulting Set of Possible Trigger Combinations"](#)), the vector taken is determined by the first condition that occurs after the first-level trigger: vector 13 if PC occurs first or vector 12 if Address {&& Data} occurs first. If both occur simultaneously, the non-PC-breakpoint debug interrupt is taken (vector number 12).

Execution continues at the instruction address in the vector corresponding to the breakpoint triggered. The debug interrupt handler can use supervisor instructions to save the necessary context such as the state of all program-visible registers into a reserved memory area.

During a debug interrupt service routine, all normal interrupt requests are evaluated and sampled once per instruction. If any exception occurs, the processor responds as follows:

1. It saves a copy of the current value of the emulator mode state bit and then exits emulator mode by clearing the actual state.
2. Bit 1 of the fault status field (FS1) in the next exception stack frame is set to indicate the processor was in emulator mode when the interrupt occurred. This corresponds to bit 17 of the longword at the top of the system stack. See [Section 3.8.1, "Exception Stack Frame Definition."](#)
3. It passes control to the appropriate exception handler.

4. It executes an RTE instruction when the exception handler finishes. During the processing of the RTE, FS1 is reloaded from the system stack. If this bit is set, the processor sets the emulator mode state and resumes execution of the original debug interrupt service routine. This is signaled externally by the generation of the PST value that originally identified the debug interrupt exception, that is, $PST = 0xD$.

Fault status encodings are listed in Table 5-2. Implementation of this debug interrupt handling fully supports the servicing of a number of normal interrupt requests during a debug interrupt service routine.

The emulator mode state bit is essentially changed to be a program-visible value, stored into memory during exception stack frame creation, and loaded from memory by the RTE instruction.

When debug interrupt operations complete, the RTE instruction executes and the processor exits emulator mode. After the debug interrupt handler completes execution, the external development system can use BDM commands to read the reserved memory locations.

In Revision A, if a hardware breakpoint such as a PC trigger is left unmodified by the debug interrupt service routine, another debug interrupt is generated after the completion of the RTE instruction. In Revisions B and C, the generation of another debug interrupt during the first instruction after the RTE exits emulator mode is inhibited. This behavior is consistent with the existing logic involving trace mode where the first instruction executes before another trace exception is generated. Thus, all hardware breakpoints are disabled until the first instruction after the RTE completes execution, regardless of the programmed trigger response.

8.6.1.1 Emulator Mode

Emulator mode is used to facilitate nonintrusive emulator functionality. This mode can be entered in three different ways:

- Setting CSR[EMU] forces the processor into emulator mode. EMU is examined only if \overline{RSTI} is negated and the processor begins reset exception processing. It can be set while the processor is halted before reset exception processing begins. See [Section 8.5.1, “CPU Halt.”](#)
- A debug interrupt always puts the processor in emulation mode when debug interrupt exception processing begins.
- Setting CSR[TRC] forces the processor into emulation mode when trace exception processing begins.

While operating in emulation mode, the processor exhibits the following properties:

- Unmasked interrupt requests are serviced. The resulting interrupt exception stack frame has FS[1] set to indicate the interrupt occurred while in emulator mode.
- If CSR[MAP] = 1, all caching of memory and the SRAM module are disabled. All memory accesses are forced into a specially mapped address space signaled by TT = 0x2, TM = 0x5 or 0x6. This includes stack frame writes and the vector fetch for the exception that forced entry into this mode.

The RTE instruction exits emulation mode. The processor status output port provides a unique encoding for emulator mode entry (0xD) and exit (0x7).

8.6.2 Concurrent BDM and Processor Operation

The debug module supports concurrent operation of both the processor and most BDM commands. BDM commands may be executed while the processor is running, except the following:

- Read/write address and data registers
- Read/write control registers

For BDM commands that access memory, the debug module requests the processor's local bus. The processor responds by stalling the instruction fetch pipeline and waiting for current bus activity to complete before freeing the local bus for the debug module to perform its access. After the debug module bus cycle, the processor reclaims the bus.

NOTE

Breakpoint registers must be carefully configured in a development system if the processor is executing. The debug module contains no hardware interlocks, so TDR and XTDR should be disabled while breakpoint registers are loaded, after which TDR and XTDR can be written to define the exact trigger. This prevents spurious breakpoint triggers.

Because there are no hardware interlocks in the debug unit, no BDM operations are allowed while the CPU is writing the debug's registers (DSCLK must be inactive).

8.7 Debug C Definition of PSTDDATA Outputs

This section specifies the ColdFire processor and debug module's generation of the PSTDDATA output on an instruction basis. In general, the PSTDDATA output for an instruction is defined as follows:

PSTDDATA = 0x1, {[0x89B], operand}

where the {...} definition is optional operand information defined by the setting of the CSR.

The CSR provides capabilities to display operands based on reference type (read, write, or both). A PST value {0x8, 0x9, or 0xB} identifies the size and presence of valid data to follow on the PSTDDATA output {1, 2, or 4 bytes}. Additionally, for certain change-of-flow branch instructions, CSR[BTB] provides the capability to display the target instruction address on the PSTDDATA output {2, 3, or 4 bytes} using a PST value of {0x9, 0xA, or 0xB}.

8.7.1 User Instruction Set

Table 8-30 shows the PSTDDATA specification for user-mode instructions. Rn represents any {Dn, An} register. In this definition, the 'y' suffix generally denotes the source and 'x' denotes the destination operand. For a given instruction, the optional operand data is displayed only for those effective addresses referencing memory.

Table 8-30. PSTDDATA Specification for User-Mode Instructions

Instruction	Operand Syntax	PSTDDATA
add.l	<ea>y,Dx	PSTDDATA = 0x1,{0xB, source operand}
add.l	Dy,<ea>x	PSTDDATA = 0x1,{0xB, source},{0xB, destination}
adda.l	<ea>y,Ax	PSTDDATA = 0x1,{0xB, source operand}
addi.l	#<data>,Dx	PSTDDATA = 0x1

Table 8-30. PSTDDATA Specification for User-Mode Instructions (Continued)

Instruction	Operand Syntax	PSTDDATA
addq.l	#<data>,<ea>x	PSTDDATA = 0x1,{0xB, source},{0xB, destination}
addx.l	Dy,Dx	PSTDDATA = 0x1
and.l	<ea>y,Dx	PSTDDATA = 0x1,{0xB, source operand}
and.l	Dy,<ea>x	PSTDDATA = 0x1,{0xB, source},{0xB, destination}
andi.l	#<data>,Dx	PSTDDATA = 0x1
asl.l	{Dy,#<data>},Dx	PSTDDATA = 0x1
asr.l	{Dy,#<data>},Dx	PSTDDATA = 0x1
bcc.{b,w,l}		if taken, then PSTDDATA = 0x5, else PSTDDATA = 0x1
bchg.{b,l}	#<data>,<ea>x	PSTDDATA = 0x1,{0x8, source},{0x8, destination}
bchg.{b,l}	Dy,<ea>x	PSTDDATA = 0x1,{0x8, source},{0x8, destination}
bclr.{b,l}	#<data>,<ea>x	PSTDDATA = 0x1,{0x8, source},{0x8, destination}
bclr.{b,l}	Dy,<ea>x	PSTDDATA = 0x1,{0x8, source},{0x8, destination}
bra.{b,w,l}		PSTDDATA = 0x5
bset.{b,l}	#<data>,<ea>x	PSTDDATA = 0x1,{0x8, source},{0x8, destination}
bset.{b,l}	Dy,<ea>x	PSTDDATA = 0x1,{0x8, source},{0x8, destination}
bsr.{b,w,l}		PSTDDATA = 0x5,{0xB, destination operand}
btst.{b,l}	#<data>,<ea>x	PSTDDATA = 0x1,{0x8, source operand}
btst.{b,l}	Dy,<ea>x	PSTDDATA = 0x1,{0x8, source operand}
clr.b	<ea>x	PSTDDATA = 0x1,{0x8, destination operand}
clr.l	<ea>x	PSTDDATA = 0x1,{0xB, destination operand}
clr.w	<ea>x	PSTDDATA = 0x1,{0x9, destination operand}
cmp.b	<ea>y,Dx	PSTDDATA = 0x1, {0x8, source operand}
cmp.l	<ea>y,Dx	PSTDDATA = 0x1,{0xB, source operand}
cmp.w	<ea>y,Dx	PSTDDATA = 0x1, {0x9, source operand}
cmpa.l	<ea>y,Ax	PSTDDATA = 0x1,{0xB, source operand}
cmpa.w	<ea>y,Ax	PSTDDATA = 0x1, {0x9, source operand}
cmpi.b	#<data>,Dx	PSTDDATA = 0x1
cmpi.l	#<data>,Dx	PSTDDATA = 0x1
cmpi.w	#<data>,Dx	PSTDDATA = 0x1
divs.l	<ea>y,Dx	PSTDDATA = 0x1,{0xB, source operand}
divs.w	<ea>y,Dx	PSTDDATA = 0x1,{0x9, source operand}
divu.l	<ea>y,Dx	PSTDDATA = 0x1,{0xB, source operand}
divu.w	<ea>y,Dx	PSTDDATA = 0x1,{0x9, source operand}

Table 8-30. PSTDDATA Specification for User-Mode Instructions (Continued)

Instruction	Operand Syntax	PSTDDATA
eor.l	Dy,<ea>x	PSTDDATA = 0x1,{0xB, source},{0xB, destination}
eori.l	#<data>,Dx	PSTDDATA = 0x1
ext.l	Dx	PSTDDATA = 0x1
ext.w	Dx	PSTDDATA = 0x1
extb.l	Dx	PSTDDATA = 0x1
illegal		PSTDDATA = 0x1 ¹
jmp	<ea>y	PSTDDATA = 0x5, {[0x9AB], target address} ²
jsr	<ea>y	PSTDDATA = 0x5, {[0x9AB], target address},{0xB, destination operand} ²
lea.l	<ea>y,Ax	PSTDDATA = 0x1
link.w	Ay,#<displacement>	PSTDDATA = 0x1,{0xB, destination operand}
lsl.l	{Dy,#<data>},Dx	PSTDDATA = 0x1
lsr.l	{Dy,#<data>},Dx	PSTDDATA = 0x1
mov3q.l	#<data>,<ea>x	PSTDDATA = 0x1, {0xB, destination operand}
move.b	<ea>y,<ea>x	PSTDDATA = 0x1,{0x8, source},{0x8, destination}
move.l	<ea>y,<ea>x	PSTDDATA = 0x1,{0xB, source},{0xB, destination}
move.w	<ea>y,<ea>x	PSTDDATA = 0x1,{0x9, source},{0x9, destination}
move.w	CCR,Dx	PSTDDATA = 0x1
move.w	{Dy,#<data>},CCR	PSTDDATA = 0x1
movea.l	<ea>y,Ax	PSTDDATA = 0x1,{0xB, source}
movea.w	<ea>y,Ax	PSTDDATA = 0x1,{0x9, source}
movem.l	#list,<ea>x	PSTDDATA = 0x1,{0xB, destination},... ³
movem.l	<ea>y,#list	PSTDDATA = 0x1,{0xB, source},... ³
moveq.l	#<data>,Dx	PSTDDATA = 0x1
muls.l	<ea>y,Dx	PSTDDATA = 0x1,{0xB, source operand}
muls.w	<ea>y,Dx	PSTDDATA = 0x1,{0x9, source operand}
mulu.l	<ea>y,Dx	PSTDDATA = 0x1,{0xB, source operand}
mulu.w	<ea>y,Dx	PSTDDATA = 0x1,{0x9, source operand}
mvs.b	<ea>y,Dx	PSTDDATA = 0x1, {0x8, source operand}
mvs.w	<ea>y,Dx	PSTDDATA = 0x1, {0x9, source operand}
mvz.b	<ea>y,Dx	PSTDDATA = 0x1, {0x8, source operand}
mvz.w	<ea>y,Dx	PSTDDATA = 0x1, {0x9, source operand}
neg.l	Dx	PSTDDATA = 0x1
negx.l	Dx	PSTDDATA = 0x1

Table 8-30. PSTDDATA Specification for User-Mode Instructions (Continued)

Instruction	Operand Syntax	PSTDDATA
nop		PSTDDATA = 0x1
not.l	Dx	PSTDDATA = 0x1
or.l	<ea>y,Dx	PSTDDATA = 0x1,{0xB, source operand}
or.l	Dy,<ea>x	PSTDDATA = 0x1,{0xB, source},{0xB, destination}
ori.l	#<data>,Dx	PSTDDATA = 0x1
pea.l	<ea>y	PSTDDATA = 0x1,{0xB, destination operand}
pulse		PSTDDATA = 0x4
rems.l	<ea>y,Dw:Dx	PSTDDATA = 0x1,{0xB, source operand}
remu.l	<ea>y,Dw:Dx	PSTDDATA = 0x1,{0xB, source operand}
rts		PSTDDATA = 0x1, PSTDDATA = 0x5, {[0x9AB], target address}
sats.l	Dx	PSTDDATA = 0x1
scc.b	Dx	PSTDDATA = 0x1
sub.l	<ea>y,Dx	PSTDDATA = 0x1,{0xB, source operand}
sub.l	Dy,<ea>x	PSTDDATA = 0x1,{0xB, source},{0xB, destination}
suba.l	<ea>y,Ax	PSTDDATA = 0x1,{0xB, source operand}
subi.l	#<data>,Dx	PSTDDATA = 0x1
subq.l	#<data>,<ea>x	PSTDDATA = 0x1,{0xB, source},{0xB, destination}
subx.l	Dy,Dx	PSTDDATA = 0x1
swap.w	Dx	PSTDDATA = 0x1
tas.b	<ea>x	PSTDDATA = 0x1, {0x8, source}, {0x8, destination}
tpf		PST = 0x1
tpf.l	#<data>	PST = 0x1
tpf.w	#<data>	PST = 0x1
trap	#<data>	PSTDDATA = 0x1 ¹
tst.b	<ea>x	PSTDDATA = 0x1,{0x8, source operand}
tst.l	<ea>y	PSTDDATA = 0x1,{0xB, source operand}
tst.w	<ea>y	PSTDDATA = 0x1,{0x9, source operand}
unlk	Ax	PSTDDATA = 0x1,{0xB, destination operand}
wddata.b	<ea>y	PSTDDATA = 0x4, {0x8, source operand}
wddata.l	<ea>y	PSTDDATA = 0x4, {0xB, source operand}
wddata.w	<ea>y	PSTDDATA = 0x4, {0x9, source operand}

- ¹ During normal exception processing, the PSTDDATA output is driven to a 0xC indicating the exception processing state. The exception stack write operands, as well as the vector read and target address of the exception handler may also be displayed.

```
Exception Processing PSTDDATA = 0xC, {0xB, destination}, // stack frame
{0xB, destination}, // stack frame
{0xB, source}, // vector read
PSTDDATA = 0x5, {[0x9AB], target} // handlerPC
```

The PSTDDATA specification for the reset exception is shown below:

```
Exception Processing PSTDDATA = 0xC,
PSTDDATA = 0x5, {[0x9AB], target} // handlerPC
```

The initial references at address 0 and 4 are never captured nor displayed since these accesses are treated as instruction fetches.

For all types of exception processing, the PSTDDATA = 0xC value is driven at all times, unless the PSTDDATA output is needed for one of the optional marker values or for the taken branch indicator (0x5).

- ² For JMP and JSR instructions, the optional target instruction address is displayed only for those effective address fields defining variant addressing modes. This includes the following <ea>x values: (An), (d16,An), (d8,An,Xi), (d8,PC,Xi).
- ³ For Move Multiple instructions (MOVEM), the processor automatically generates line-sized transfers if the operand address reaches a 0-modulo-16 boundary and there are four or more registers to be transferred. For these line-sized transfers, the operand data is never captured nor displayed, regardless of the CSR value. The automatic line-sized burst transfers are provided to maximize performance during these sequential memory access operations.

Table 8-31 shows the PSTDDATA specification for multiply-accumulate instructions.

Table 8-31. PSTDDATA Values for User-Mode Multiply-Accumulate Instructions

Instruction	Operand Syntax	PSTDDATA
mac.l	Ry,Rx	PSTDDATA = 0x1
mac.l	Ry,Rx,<ea>y,Rw,ACCx	PSTDDATA = 0x1,{0xB, source operand}
mac.l	Ry,Rx,ACCx	PSTDDATA = 0x1
mac.l	Ry,Rx,ea,Rw	PSTDDATA = 0x1,{0xB, source operand}
mac.w	Ry,Rx	PSTDDATA = 0x1
mac.w	Ry,Rx,<ea>y,Rw,ACCx	PSTDDATA = 0x1,{0xB, source operand}
mac.w	Ry,Rx,ACCx	PSTDDATA = 0x1
mac.w	Ry,Rx,ea,Rw	PSTDDATA = 0x1,{0xB, source operand}
move.l	{Ry,#<data>},ACCext01	PSTDDATA = 0x1
move.l	{Ry,#<data>},ACCext23	PSTDDATA = 0x1
move.l	{Ry,#<data>},ACCx	PSTDDATA = 0x1
move.l	{Ry,#<data>},MACSR	PSTDDATA = 0x1
move.l	{Ry,#<data>},MASK	PSTDDATA = 0x1
move.l	ACCext01,Rx	PSTDDATA = 0x1
move.l	ACCext23,Rx	PSTDDATA = 0x1
move.l	ACCy,ACCx	PSTDDATA = 0x1

Table 8-31. PSTDDATA Values for User-Mode Multiply-Accumulate Instructions (Continued)

Instruction	Operand Syntax	PSTDDATA
move.l	ACCy,Rx	PSTDDATA = 0x1
move.l	MACSR,CCR	PSTDDATA = 0x1
move.l	MACSR,Rx	PSTDDATA = 0x1
move.l	MASK,Rx	PSTDDATA = 0x1
msac.l	Ry,Rx	PSTDDATA = 0x1
msac.l	Ry,Rx,<ea>y,Rw,ACCx	PSTDDATA = 0x1,{0xB, source operand}
msac.l	Ry,Rx,ACCx	PSTDDATA = 0x1
msac.l	Ry,Rx,<ea>y,Rw	PSTDDATA = 0x1,{0xB, source},{0xB, destination}
msac.w	Ry,Rx	PSTDDATA = 0x1
msac.w	Ry,Rx,<ea>y,Rw,ACCx	PSTDDATA = 0x1,{0xB, source operand}
msac.w	Ry,Rx,ACCx	PSTDDATA = 0x1
msac.w	Ry,Rx,<ea>y,Rw	PSTDDATA = 0x1,{0xB, source},{0xB, destination}

Table 8-32 shows the PSTDDATA specification for floating-point instructions; note that <ea>y includes FPy, Dy, Ay, and <mem>y addressing modes. The optional operand capture and display applies only to the <mem>y addressing modes. Note also that the PSTDDATA values are the same for a given instruction, regardless of explicit rounding precision.

Table 8-32. PSTDDATA Values for User-Mode Floating-Point Instructions

Instruction ¹	Operand Syntax	PSTDDATA
fabs.sz	<ea>y,FPx	PSTDDATA = 0x1, [89B], source}
fadd.sz	<ea>y,FPx	PSTDDATA = 0x1, [89B], source}
fbcc.{w,l}	<label>	if taken, then PSTDDATA = 5, else PSTDDATA = 0x1
fcmp.sz	<ea>y,FPx	PSTDDATA = 0x1, [89B], source}
fdiv.sz	<ea>y,FPx	PSTDDATA = 0x1, [89B], source}
fint.sz	<ea>y,FPx	PSTDDATA = 0x1, [89B], source}
fintrz.sz	<ea>y,FPx	PSTDDATA = 0x1, [89B], source}
fmove.sz	<ea>y,FPx	PSTDDATA = 0x1, [89B], source}
fmove.sz	FPy,<ea>x	PSTDDATA = 0x1, [89B], destination}
fmove.l	<ea>y,FP*R	PSTDDATA = 0x1, B, source}
fmove.l	FP*R,<ea>x	PSTDDATA = 0x1, B, destination}
fmovem	<ea>y,#list	PSTDDATA = 0x1
fmovem	#list,<ea>x	PSTDDATA = 0x1
fmul.sz	<ea>y,FPx	PSTDDATA = 0x1, [89B], source}

Table 8-32. PSTDDATA Values for User-Mode Floating-Point Instructions (Continued)

Instruction ¹	Operand Syntax	PSTDDATA
fneg.sz	<ea>y,FPx	PSTDDATA = 0x1, [89B], source}
fnop		PSTDDATA = 0x1
fsqrt.sz	<ea>y,FPx	PSTDDATA = 0x1, [89B], source}
fsub.sz	<ea>y,FPx	PSTDDATA = 0x1, [89B], source}
ftst.sz	<ea>y	PSTDDATA = 0x1, [89B], source}

¹ The FP*R notation refers to the floating-point control registers: FPCR, FPSR, and FPIAR.

Depending on the size of any external memory operand specified by the f<op>.fmt field, the data marker is defined as shown in [Table 8-33](#).

Table 8-33. Data Markers and FPU Operand Format Specifiers

Format Specifier	Data Marker
.b	8
.w	9
.l	B
.s	B
.d	Never captured

8.7.2 Supervisor Instruction Set

The supervisor instruction set has complete access to the user mode instructions plus the opcodes shown below. The PSTDDATA specification for these opcodes is shown in [Table 8-34](#).

Table 8-34. PSTDDATA Specification for Supervisor-Mode Instructions

Instruction	Operand Syntax	PSTDDATA
cpushl	dc,(Ax) ic,(Ax) bc,(Ax)	PSTDDATA = 0x1
frestore	<ea>y	PSTDDATA = 0x1
fsave	<ea>x	PSTDDATA = 0x1
halt		PSTDDATA = 0x1, PSTDDATA = 0xF
intouch	(Ay)	PSTDDATA = 0x1
move.l	Ay,USP	PSTDDATA = 0x1
move.l	USP,Ax	PSTDDATA = 0x1
move.w	SR,Dx	PSTDDATA = 0x1
move.w	{Dy,#<data>},SR	PSTDDATA = 0x1, {0x3}

Table 8-34. PSTDDATA Specification for Supervisor-Mode Instructions (Continued)

Instruction	Operand Syntax	PSTDDATA
movec.l	Ry,Rc	PSTDDATA = 0x1, {8, ASID}
rte		PSTDDATA = 0x7, {0xB, source operand}, {3},{0xB, source operand}, {DD}, PSTDDATA = 0x5, {{0x9AB}, target address}
stop	#<data>	PSTDDATA = 0x1, PSTDDATA = 0xE
wdebug.l	<ea>y	PSTDDATA = 0x1, {0xB, source, 0xB, source}

The move-to-SR and RTE instructions include an optional PSTDDATA = 0x3 value, indicating an entry into user mode. Additionally, if the execution of a RTE instruction returns the processor to emulator mode, a multiple-cycle status of 0xD is signaled.

Similar to the exception processing mode, the stopped state (PSTDDATA = 0xE) and the halted state (PSTDDATA = 0xF) display this status throughout the entire time the ColdFire processor is in the given mode.

8.8 ColdFire Debug History

This section describes the origins of the ColdFire debug systems.

8.8.1 ColdFire Debug Classic: The Original Definition

The original design, Revision A, provided debug support in three separate areas:

- Real-time trace
- Background debug mode (BDM)
- Real-time debug

The real-time debug features may be accessed from the external BDM emulator or from the supervisor programming model of the processor. The hardware breakpoint registers include: a PC breakpoint + mask, two address registers for defining a specific address or a range of addresses, and a data breakpoint + mask. The original design supported breakpoints of the form:

```
if PC_breakpoint is triggered
    then respond using user-defined configuration

if Address_breakpoint {&& Data_breakpoint} is triggered
    then respond using user-defined configuration
```

Two-level triggers of the form:

```
if PC_breakpoint is triggered
    then if Address_breakpoint {&& Data_breakpoint} is triggered
        then respond using user-defined configuration

if Address_breakpoint {&& Data_breakpoint} is triggered
    then if PC_breakpoint is triggered
        then respond using user-defined configuration
```

The data_breakpoint can be included as an optional part of an address breakpoint.

The ColdFire debug architecture was created to provide this set of functionality *without* requiring the traditional connection to the external system bus. Rather, the functionality is provided using only a connection to a Freescale-defined 26-pin debug connector. By providing the required debug signals in customer-specific designs, standard third-party emulators can be used for debug of these designs.

NOTE

The baseline debug functionality is described in any of the *ColdFire MCF52xx User's Manuals*, which are available as PDF files at: <http://www.freescale.com/ColdFire/>. As an example, see the debug section of the *MCF5272 User's Manual* located under MCF5272 Product Information.

8.8.2 ColdFire Debug Revision B

During development of the Version 3 ColdFire design, there were a number of enhancements to the original debug functionality requested by customers and third-party developers. These requests resulted in an expanded set of debug functionality named Revision B.

The Rev. B enhancements are as follows:

- Addition of a BDM SYNC_PC command to display the processor's current PC
- Creation of more flexible hardware breakpoint triggers, i.e., support for "OR" combinations
- Removal of the restrictions involving concurrent hardware breakpoint use and BDM command activity
- Redefinition of the processor status values for the RTS instruction
- An external mechanism to generate a debug interrupt
- A mechanism to inhibit debug interrupts after the RTE exit
- A mechanism to identify the revision level of the debug module

Rev. B enhancements provide backward compatibility with the original design.

8.8.3 ColdFire Debug Revision C

Continuing discussions with customers and the developer community led to Revision C design enhancements primarily related to improvements in the real-time debug capabilities of the ColdFire architecture. The remainder of this section details these enhancements.

8.8.3.1 Debug Interrupts and Interrupt Requests (Emulator Mode)

In Rev. A and Rev. B ColdFire debug implementations, the response to a user-defined breakpoint trigger can be configured to be one of three possibilities:

- The breakpoint trigger can merely be displayed on the DDATA bus, with no internal reaction to the trigger. The trigger state information is displayed on DDATA in all situations.
- The breakpoint trigger can force the processor to halt and allow BDM activities.
- The breakpoint trigger can generate a special debug interrupt to allow real-time systems to quickly process the interrupt and return to normal system executing as rapidly as possible.

The occurrence of the debug interrupt exception is treated as a special type of interrupt. It is considered to be higher in priority than all normal interrupt requests and has special processor status values to provide an external indication that this interrupt has occurred.

Additionally, the execution of the debug interrupt service routine is forced to be interrupt-inhibited by the processor hardware. While in this service routine, there is an optional capability to map all instruction and operand references into a separate address space, so that an emulator could define the routine dynamically. The current processor implementations actually include a program-invisible state bit that defines this emulator mode of operation. Also note, the interrupt mask level is not modified during the processing of a debug interrupt.

Customers with real-time embedded systems have specifically asked for the ability to service normal interrupt requests while processing the debug interrupt service routine. In many systems of this type, motion-based servo interrupts must be considered as the highest priority interrupt request.

To provide this functionality and be able to service any number of normal interrupt requests (including the possibility of nested interrupts), the processor state signaling emulator mode must be included as part of the exception stack frame.

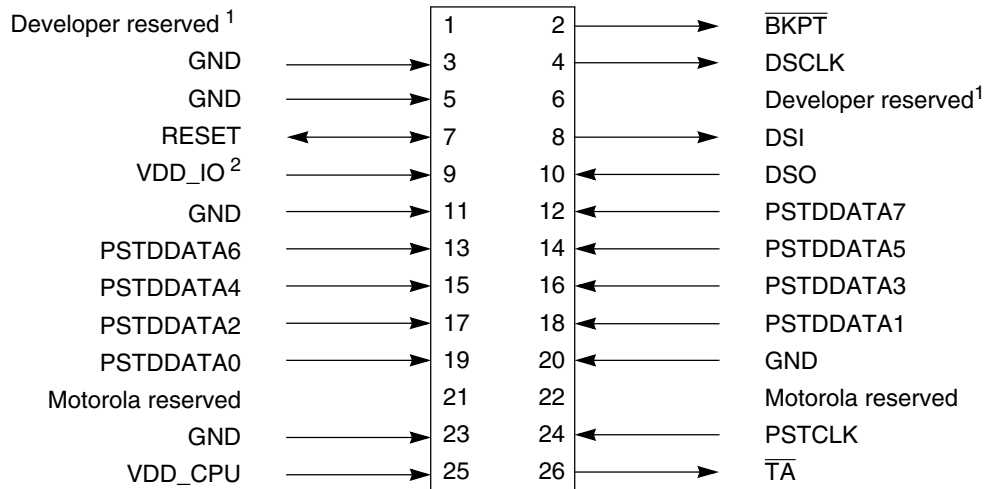
As part of the Rev. C functionality, the operation of the debug interrupt is modified in the following manner:

1. The occurrence of the breakpoint trigger, configured to generate a debug interrupt, is treated exactly as before. The debug interrupt is treated as a higher priority exception relative to the normal interrupt requests encoded on the interrupt priority input signals.
2. At the appropriate sample point, the ColdFire processor initiates debug interrupt exception processing. This event is signaled externally by the generation of a unique PST value (PST = 0xD) asserted for multiple cycles. The processor sets the emulator mode state bit as part of this exception processing.
3. While the processor in the debug interrupt service routine, all normal interrupt requests are evaluated and sampled once per instruction. While in this routine, if any type of exception occurs, the processor responds in the following manner:
 - a) In response to the new exception, the processor saves a copy of the current value of the emulator mode state bit and then exits emulator mode by clearing the actual state.
 - b) The new exception stack frame sets bit 1 of the fault status field, using the saved emulator mode bit, indicating execution while in emulator mode has been interrupted. This corresponds to bit 17 of the longword at the top of the system stack.
 - c) Control is passed to the appropriate exception handler.
 - d) When the exception handler is complete, a Return From Exception (RTE) instruction is executed. During the processing of the RTE, FS[1] is reloaded from the system stack. If this bit is asserted, the processor sets the emulator mode state and resumes execution of the original debug interrupt service routine. This is signaled externally by the generation of the PST value that originally identified the occurrence of a debug interrupt exception, that is, PST = 0xD.

Implementation of this revised debug interrupt handling fully supports the servicing of any number of normal interrupt requests while in a debug interrupt service routine. The emulator mode state bit is essentially changed to be a program-visible value, stored into memory during exception stack frame creation and loaded from memory by the RTE instruction.

8.9 Freescale-Recommended BDM Pinout

The ColdFire BDM connector, [Figure 8-51](#), is a 26-pin Berg connector arranged 2 x 13.



¹ Pins reserved for BDM developer use.

² Supplied by target.

Figure 8-51. Recommended BDM Connector

Part II

System Integration Unit

Part II describes the system integration unit, which provides overall control of the bus and serves as the interface between the ColdFire core processor complex and internal peripheral devices. It includes a general description of the SIU and individual chapters that describe components of the SIU, such as the interrupt controller, general purpose timers, slice timers, and GPIOs.

Contents

Part II contains the following chapters:

- Chapter 9, “System Integration Unit (SIU),” describes the SIU programming model, bus arbitration, and system-protection functions for the MCF547x.
- Chapter 10, “Internal Clocks and Bus Architecture,” describes the clocking and internal buses of the MCF547x and discusses the main functional blocks controlling the XL bus and the XL bus arbiter
- Chapter 11, “General Purpose Timers (GPT),” describes the functionality of the four general purpose timers, GPT0–GPT3.
- Chapter 12, “Slice Timers (SLT),” describes the two slice timers, shorter term periodic interrupts, used in the MCF547x.
- Chapter 13, “Interrupt Controller,” describes operation of the interrupt controller portion of the SIU. It includes descriptions of the registers in the interrupt controller memory map and the interrupt priority scheme.
- Chapter 14, “Edge Port Module (EPORT),” describes EPORT module functionality.
- Chapter 15, “GPIO,” describes the operation and programming model of the parallel port pin assignment, direction-control, and data registers.



Chapter 9

System Integration Unit (SIU)

9.1 Introduction

The system integration unit (SIU) of the MCF547x family integrates several timer functions required by most embedded systems. The SIU contains the following components:

- Slice timers
- Watchdog timer
- General purpose timers
- General purpose I/O ports
- Interrupt controller

Two internal 32-bit slice timers are provided to create short cycle periodic interrupts, typically utilized for RTOS scheduling and alarm functionality. A watchdog timer is included that will reset the processor if not regularly serviced, catching software hang-ups. Up to four 32-bit general purpose timers are included, which are capable of input capture, output compare, and PWM functionality. Most peripheral I/O pins on the MCF547x family are muxed with GPIO, adding flexibility and usability to pins on the chip.

The programmable interrupt controller multiplexes the external interrupts, general purpose timers, slice timers, and peripheral sources to the CF4e core. Refer to Chapter 6, “Interrupt Controller,” for information about the MCF547x interrupt controller.

The SIU timers are discussed in the following chapters:

- Slice timers and watchdog timers are detailed in Chapter 5, “Slice Timers (SLT).”
- General purpose timers are described in Chapter 4, “General Purpose Timers (GPT).”
- GPIO functionality is discussed in Chapter 8, “GPIO.”

9.2 Features

The system integration unit has the following features:

- Interrupt controller
- Two 32-bit slice timers for periodic alarm and interrupt generation
- Software watchdog timer with programmable secondary bus monitor
- Up to four 32-bit general-purpose timers with capture, compare, and PWM capability
- General-purpose I/O ports multiplexed with peripheral pins
- System protection and reset status and control

9.3 Memory Map/Register Definition

Table 9-1 shows the programming model for the SIU.

Table 9-1. SIU Register Map

Address (MBAR +)	Name	Byte0	Byte1	Byte2	Byte3	Access
CPU+0xC0F	Module Base Address Register	MBAR				R/W
0x04	SDRAM Drive Strength Register ¹	SDRAMDS ¹				R/W

Table 9-1. SIU Register Map (Continued)

0x08–0x0C	Reserved		
0x10	System Breakpoint Control Register	SBCR	R/W
0x1–0x1C	Reserved		
0x20	SDRAM Chip Select 0 Configuration Register ¹	CS0CFG0 ¹	R/W
0x24	SDRAM Chip Select 1 Configuration Register ¹	CS1CFG1 ¹	R/W
0x28	SDRAM Chip Select 2 Configuration Register ¹	CS2CFG2 ¹	R/W
0x2C	SDRAM Chip Select 3 Configuration Register ¹	CS3CFG3 ¹	R/W
0x30–0x34	RESERVED		
0x38	Sequential Access Control Register	SECSACR	R/W
0x3C–0x40	RESERVED		
0x44	Reset Status Register	RSR	R/W
0x48–0x4C	RESERVED		
0x50	JTAG Device Identification Number	JTAGID	R

¹ The SDRAM Drive Strength and Chip Select Configuration registers are discussed in Chapter 17, “SDRAM Controller (SDRAMC).” They are shown in this memory map for reference purposes.

9.3.1 Module Base Address Register (MBAR)

The supervisor-level MBAR, [Figure 9-1](#), specifies the base address and allowable access types for all internal peripherals. It is written with a MOVEC instruction using the CPU address 0xC0F (refer to the *ColdFire Family Programmer’s Reference Manual*). MBAR can be read or written through the debug modules as a read/write register, as described in Chapter 8, “Debug Support.” Only the debug module can read MBAR.

The MBAR is initialized to 0x8000_0000 at reset; however, it can be relocated to a new base address. To access internal peripherals, write MBAR with the appropriate base address (BA) after system reset.

All internal peripheral registers occupy a single relocatable memory block along 256-KByte boundaries. MBAR[BA] is compared to the upper 14 bits of the full 32-bit internal address to determine if an internal peripheral is being accessed. Any accesses in this range, whether to a valid peripheral address or not, will be made internally rather than using the external bus.

NOTE

The MBAR region must be mapped to non-cacheable space.

	31	30	29	28	27	26	25	24	23	22	21	20	19	18	17	16
R	BA														0	0
W																
Reset	1	0	0	0	0	0	0	0	0	0	0	0	0	0	0	0
Reg Addr	CPU + 0xC0F															
	15	14	13	12	11	10	9	8	7	6	5	4	3	2	1	0
R	0	0	0	0	0	0	0	0	0	0	0	0	0	0	0	0
W																
Reset	0	0	0	0	0	0	0	0	0	0	0	0	0	0	0	0
Reg Addr	CPU + 0xC0F															

Figure 9-1. Module Base Address Register (MBAR)

9.3.1.1 System Breakpoint Control Register (SBCR)

The System Breakpoint Control Register allows for discrete control over functionality of the $\overline{\text{BKPT}}$ signal. The assertion of the $\overline{\text{BKPT}}$ signal can be programmed to halt the core, DMA, and DSPI or any combination. In addition, a halt condition in the DMA can be programmed to halt the CPU, or a halt in the CPU can halt the DMA.

	31	30	29	28	27	26	25	24	23	22	21	20	19	18	17	16
R	PIN2CPU	PIN2DMA	CPU2DMA	DMA2CPU	PIN2DSPI	0	0	0	0	0	0	0	0	0	0	0
W																
Reset	1	1	0	0	0	0	0	0	0	0	0	0	0	0	0	0
Reg Addr	MBAR + 0x0010															
	15	14	13	12	11	10	9	8	7	6	5	4	3	2	1	0
R	0	0	0	0	0	0	0	0	0	0	0	0	0	0	0	0
W																
Reset	0	0	0	0	0	0	0	0	0	0	0	0	0	0	0	0
Reg Addr	MBAR + 0x0010															

Figure 9-2. System Breakpoint Control Register (SBCR)

Table 9-2. SBCR Field Descriptions

Bit	Name	Description
31	PIN2CPU	Pin control of the ColdFire V4e breakpoint. This bit controls whether the \overline{BKPT} pin can halt the ColdFire V4e. 0 The assertion of \overline{BKPT} will not halt the ColdFire V4e core. 1 The assertion of \overline{BKPT} will halt the ColdFire V4e core.
30	PIN2DMA	Pin control of the multichannel DMA breakpoint. This bit controls whether the \overline{BKPT} pin can halt the DMA. 0 The assertion of \overline{BKPT} will not halt the DMA. 1 The assertion of \overline{BKPT} will halt the DMA.
29	CPU2DMA	ColdFire V4e control of the multichannel DMA breakpoint. This bit controls whether a ColdFire V4e halt condition causes the assertion of the DMA breakpoint. 0 A ColdFire V4e halt condition will not halt the DMA. 1 A ColdFire V4e halt condition will halt the DMA.
28	DMA2CPU	DMA control of the ColdFire V4e breakpoint. This bit controls whether a DMA halt condition causes the assertion of the ColdFire V4e breakpoint. 0 A DMA halt condition will not halt the ColdFire V4e. 1 A DMA halt condition will halt the ColdFire V4e.
27	PIN2DSPI	Pin control of the DSPI breakpoint. This bit controls whether the \overline{BKPT} pin can halt the DSPI. 0 The assertion of \overline{BKPT} will not halt the DSPI. 1 The assertion of \overline{BKPT} will halt the DSPI.
26-0	—	Reserved, should be cleared.

9.3.1.2 SEC Sequential Access Control Register (SECSACR)

This register is used to control bus accesses to the SEC module. If a sequential accesses to the SEC are enabled, then data will be buffered to create a single 64-bit access to the SEC instead of splitting up the transfer into two longwords. This can help to improve overall SEC performance.

	31	30	29	28	27	26	25	24	23	22	21	20	19	18	17	16
R	0	0	0	0	0	0	0	0	0	0	0	0	0	0	0	0
W																
Reset	0	0	0	0	0	0	0	0	0	0	0	0	0	0	0	0
Reg Addr	MBAR + 0x38															
	15	14	13	12	11	10	9	8	7	6	5	4	3	2	1	0
R	0	0	0	0	0	0	0	0	0	0	0	0	0	0	0	SEQEN
W																
Reset	0	0	0	0	0	0	0	0	0	0	0	0	0	0	0	0
Reg Addr	MBAR + 0x38															

Figure 9-3. SEC Sequential Access Control Register (SECSACR)

Table 9-3. SECSACR Field Descriptions

Bits	Name	Description
31–1	—	Reserved
0	SEQEN	SEC Sequential access enable. 0 SEC Sequential Access is disabled. 1 SEC Sequential Access is enabled. Note: Setting this bit is recommended when the SEC is in use.

9.3.1.3 Reset Status Register (RSR)

RSR allows the software, particularly the reset exception service routine, to know what type of reset has been asserted. When a reset signal is asserted, the associated status bit is set, and it maintains its value until the software explicitly clears the bit.

	31	30	29	28	27	26	25	24	23	22	21	20	19	18	17	16
R	0	0	0	0	0	0	0	0	0	0	0	0	0	0	0	0
W																
Reset	0	0	0	0	0	0	0	0	0	0	0	0	0	0	0	0
Reg Addr	MBAR + 0x44															
	15	14	13	12	11	10	9	8	7	6	5	4	3	2	1	0
R	0	0	0	0	0	0	0	0	0	0	0	0	RSTJTG	0	RSTWD	RST
W																
Reset	0	0	0	0	0	0	0	0	0	0	0	0	0	0	0	1
Reg Addr	MBAR + 0x44															

Figure 9-4. Reset Status Register (RSR)

Table 9-4. RSR Field Descriptions

Bits	Name	Description
31–4	—	Reserved, should be cleared.
3	RSTJTG	JTAG reset asserted. Cleared by writing 1 to this bit position or by external reset.
2	—	Reserved, should be cleared.
1	RSTWD	General purpose watchdog timer reset asserted. Cleared by writing 1 to this bit position or by external reset.
0	RST	External reset (PLL Lock qualification) asserted. Cleared by writing a 1 to this bit position.

9.3.1.4 JTAG Device Identification Number (JTAGID)

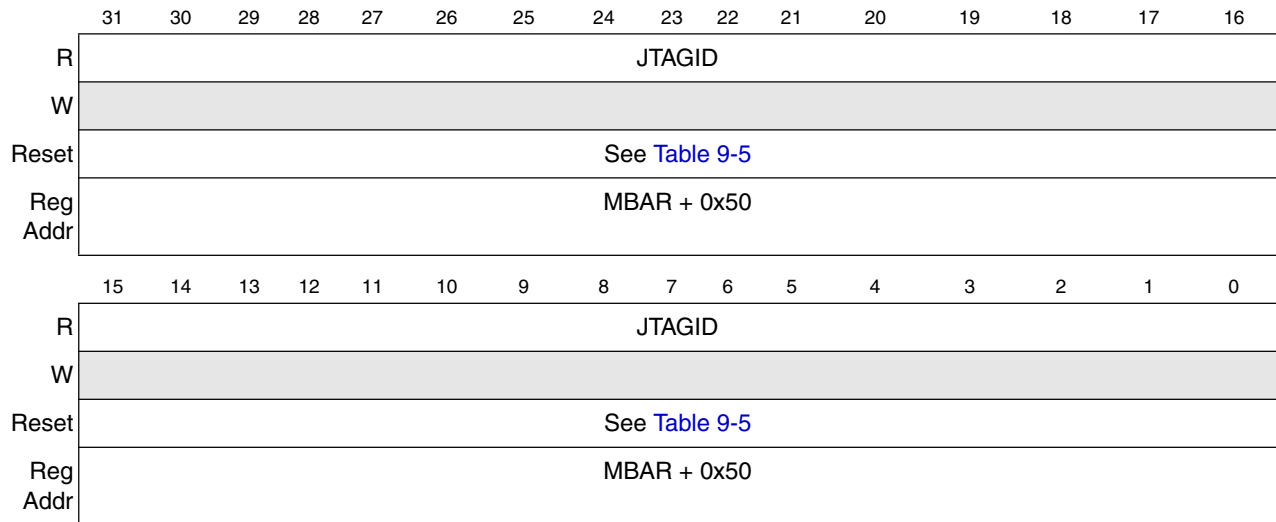


Figure 9-5. JTAG Device ID Register (JTAGID)

Table 9-5. JTAGID Field Descriptions

Bits	Name	Description
31–0	JTAGID	<p>The JTAG Identification Number Register is a read only register which contains the JTAG ID number for the MCF547x. Its value is hard coded and cannot be modified.</p> <p>Values for the MCF547x are the following:</p> <p>MCF5475 0x0801201d MCF5474 0x0801301d MCF5473 0x0801401d MCF5472 0x0801501d MCF5471 0x0801601d MCF5470 0x0801701d</p>

Chapter 10

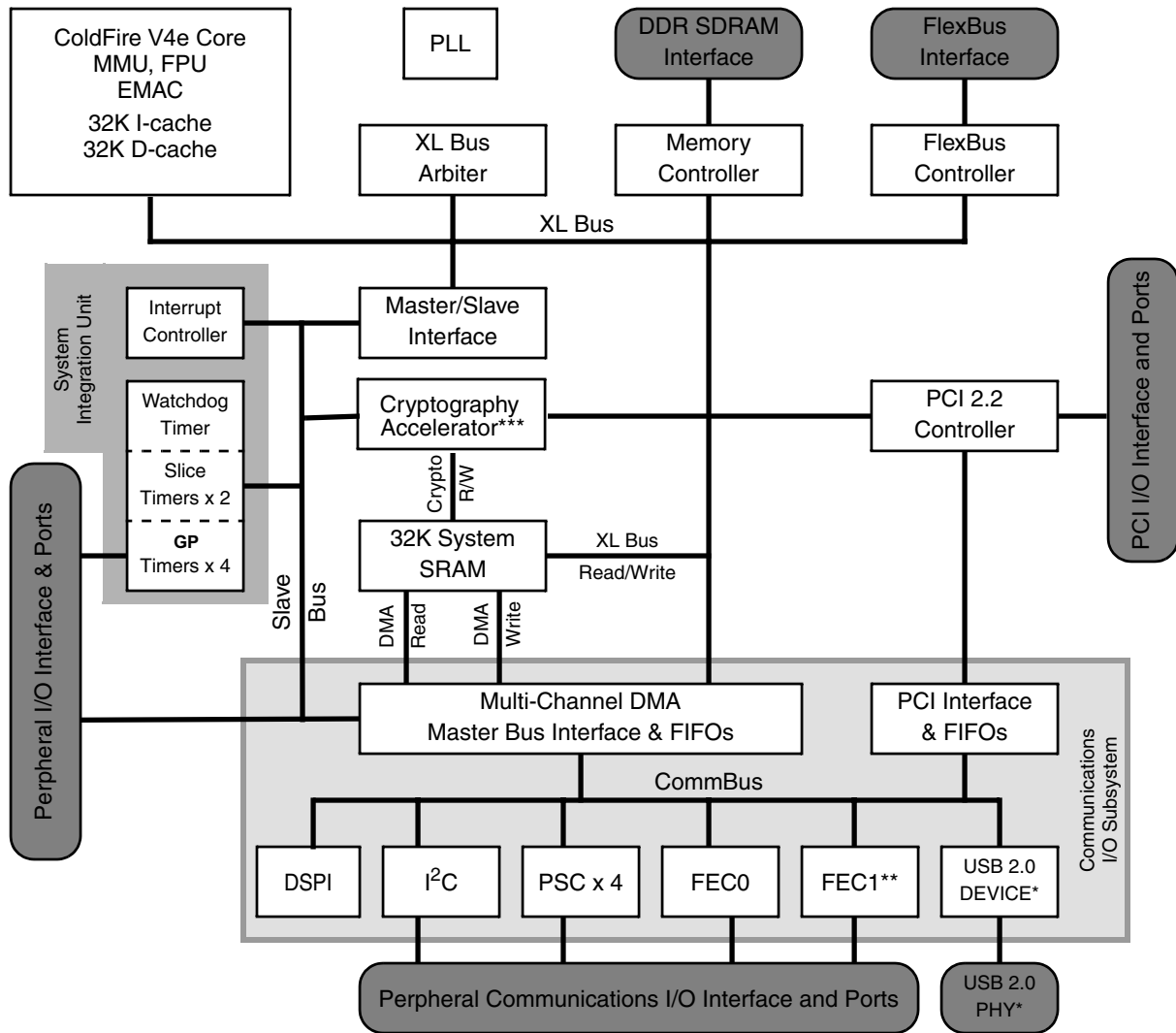
Internal Clocks and Bus Architecture

10.1 Introduction

This chapter describes the clocking and internal buses of the MCF547x and discusses the main functional blocks controlling the XL bus and the XL bus arbiter.

10.1.1 Block Diagram

[Figure 10-1](#) shows a top-level block diagram of the MCF547x products.



*Available in MCF5475, MCF5474, MCF5473, and MCF5472 devices.

**Available in MCF5475, MCF5474, MCF5471, and MCF5470 devices.

***Available in MCF5475, MCF5473, and MCF5471 devices.

Figure 10-1. MCF547x Internal Bus Architecture

10.1.2 Clocking Overview

The MCF547X requires a clock generated externally to be input to the CLKIN signal. The MCF547X uses this clock as the reference clock for the internal PLL. The internal PLL then generates the clocks needed by the CPU core and integrated peripherals.

The external PCI and FlexBus signals are always clocked at the same frequency as the CLKIN signal. A programmable clock multiplier (determined by the AD[12:8] signals at reset) is used to determine the XL bus frequency. All integrated peripherals and the 32KB system SRAM are clocked at the same frequency

as the XLB. The ColdFire V4e core complex (core, MMU, FPU, SRAMs, etc.) is always clocked at twice the XLB frequency.

Table 10-1 shows the supported PLL encodings and the corresponding clock frequency ranges.

Table 10-1. MCF547X Divide Ratio Encodings

AD[12:8] ¹	Clock Ratio	CLKIN—PCI and FlexBus Frequency Range (MHz)	Internal XLB, SDRAM Bus, and PSTCLK Frequency Range (MHz)	Core Frequency Range (MHz)
00011	1:2	41.6–66.66	83.33–133.33	166.66–266.66
00101	1:2	25.0–44.4	50.0–88.8	100.0–177.66
01111	1:4	25.0–33.3	100–133.33	200–266.66

¹ All other values of AD[12:8] are reserved.

Figure 10-2 correlates CLKIN, internal bus, and core clock frequencies for the 1x–4x multipliers.

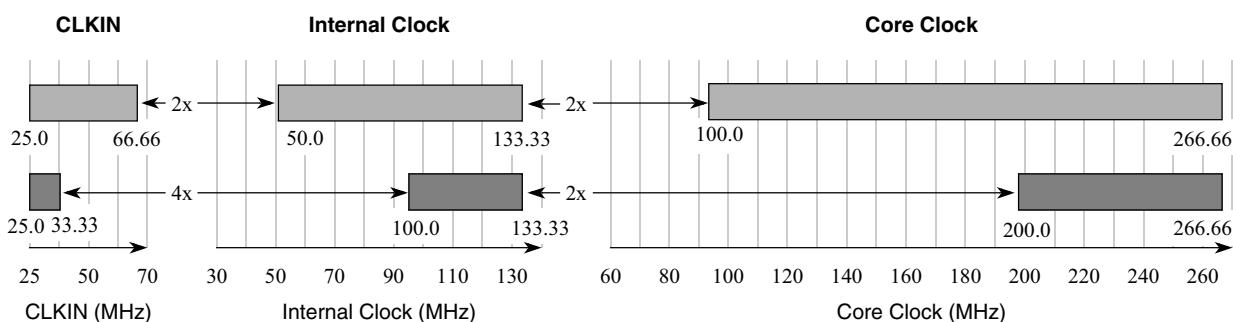


Figure 10-2. CLKIN, Internal Bus, and Core Clock Ratios

10.1.3 Internal Bus Overview

There are three main internal buses in the MCF547x—the extended local bus (XL bus), the internal peripheral bus (slave bus), and the communication subsystem bus (CommBus). See Figure 10-1.

- XL bus — Interface between the ColdFire core, memory controller, communication subsystem, FlexBus controller, and PCI controller.
- Internal peripheral bus (slave bus) — The control/data interface from the core to the communication subsystem or peripheral programming registers and FIFOs. The base address of this memory-mapped bus will be stored in the internal peripheral bus base address register (MBAR).
- CommBus — The data transfer interface between the multichannel DMA and each peripheral function.

10.1.4 XL Bus Features

Features of the XL bus and its integration modules include the following:

- 32-bit physical address
- 64-bit data bus width
- Split-transaction bus; address and data tenures occur independently.

- One-level address pipeline; supports up to two complete address tenures before the first data tenure completes.
- Strict, in-order, address and data tenures are enforced.
- Address and data bus “parking” may be used to remove arbitration phase from the address and data tenures—most recent master, programmed master, or no parking methods supported.
- Access can occur in single (1-8 bytes) beat, or four-beat (32 bytes) burst transfers.
- Eight-level arbitration priority that is hardware selectable for each master with a least recently used (LRU) protocol for masters of equal priority. Priority may change dynamically based on specific system requirements.
- Fully static, multiplexed bus architecture.

10.1.5 Internal Bus Transaction Summaries

The XL bus can be mastered by the ColdFire core, multichannel DMA controller, and the PCI controller (external PCI master). Any of these masters can access all resources available to the XL bus.

Bus masters can access any on-chip or off-chip resources via the XL bus. The sequence is as follows:

- Bus masters gains mastership of the XL bus from the XL bus arbiter.
- The bus master’s address is asserted during the address tenure. XL bus slave devices (SDRAM, PCI, etc.) decode the address. If the address falls within a slave’s space, it returns an address acknowledge.
- The bus master initiates the data tenure and transfers the data to the appropriate slave device.

10.1.6 XL Bus Interface Operations

This section describes how the XLB interface operates.

10.1.6.1 Basic Transfer Protocol

An XLB interface memory transaction is illustrated in [Figure 10-3](#). It shows that the transaction consists of distinct address and data tenures, each having three phases: arbitration, transfer, and termination. The separation of these operations allows address pipelines and split transactions to be implemented.

Split-bus transaction capability allows one master to have mastership of the address bus, while another master has mastership of the data bus. Pipelines allows the address tenure of a bus transaction to begin before the data tenure of the previous transaction finishes.

The data transfer phase can either be one beat or four, depending on whether or not the transaction is a burst.

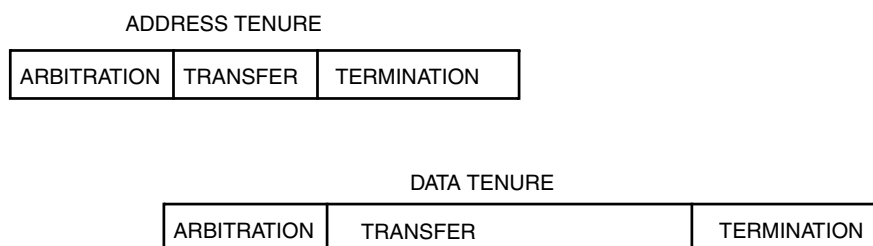


Figure 10-3. Address and Data Tenures

The following outlines the basic functions of each of the phases:

- Address tenure:
 - Arbitration: During arbitration, address bus arbitration signals are used to gain mastership of the address bus.
 - Transfer: After mastership is obtained, the address bus master transfers the address and transfer attributes on the address bus. Address signals and transfer attribute signals control the address transfer.
 - Termination: After the address transfer, the system signals that the address tenure is complete or that it must be repeated.
- Data tenure:
 - Arbitration: To begin a data tenure, the master arbitrates for data bus mastership.
 - Transfer: After mastership is obtained, the data bus master samples the data bus for read operations or drives the data bus for write operations.
 - Termination: Data termination signals are required after each data beat in a data transfer. In a single-beat transaction, data termination signals also indicate the end of the tenure; in burst accesses, data termination signals apply to individual beats and indicate the end of the tenure only after the final data beat.

10.1.6.2 Address Pipelines

The XLB protocol provides independent address and data bus capability to support *pipeline* and *split-bus transaction* system organizations.

The XLB arbiter allows for one level of pipeline. This feature can be enabled and disabled in the Arbiter Configuration Register (XARB_CFG). While this feature does not improve latency, it can significantly improve bus/memory throughput, so it should be considered for systems that expect to stress bus throughput capacity.

The XLB arbiter effects pipelines by regulating address bus grant, data bus grants, and address acknowledge signals. For example, a one-level pipeline is enabled by asserting the address acknowledge signal to the current address bus master, as well as granting the address bus to the next requesting master before the current data bus tenure completes.

10.2 XL Bus Arbiter

The XL bus arbiter handles bus arbitration between XL bus masters.

10.2.1 Features

The arbiter features are as follows:

- Eight priority levels
- Priority levels may be changed dynamically by XL bus masters
- XL bus arbitration support for eight masters
- Least recently used (LRU) priority scheme for masters of equal priority
- Multiple masters at each priority level supported
- One level of address pipelines is enforced by the arbiter

- Bus grant parking modes:
 - No parking
 - Park on last master
 - Park on programmed master
- Watchdog timers for various XL bus time-out conditions

10.2.2 Arbiter Functional Description

10.2.2.1 Prioritization

The prioritization function will indicate that a master is requesting the bus and indicate which master has priority.

Priority is determined first by using the hardcoded master priority or the master n priority bits in the arbiter master priority register (XARB_PRIEN), depending on the arbiter master priority enable bit for each master. Secondly, masters at the same level of priority will be further sorted by a least recently used algorithm (LRU). Once a requesting master is identified as having priority and is granted the bus, that master will be continue to be granted the bus if:

1. It is requesting the bus. The request must occur immediately after the required 1 clock de-assertion after a qualified bus grant.

and

2. It is the highest priority device.

and

3. There is no address retry.

Multiple masters at level 0 will only be able to perform one tenure before the bus is passed to the next master at level 0 using the LRU algorithm.

The priority level of each master may be changed while the arbiter is running. This allows dynamic changes in priority such as an aging scheme. The arbiter recognizes changes after one clock.

It is possible to control priority by enabling the master priority enable bits for a master (XARB_PRIEN). This causes the priority to be determined from the master n priority bits in the arbiter master priority register (XARB_PRI). Once again a system dependent dynamic scheme may be employed.

10.2.2.2 Bus Grant Mechanism

10.2.2.2.1 Bus Grant

The bus grant mechanism generates the address bus grant signals to the masters using the signals from the prioritization function. It will also generate required indicators of state to the prioritization and watchdog functions.

The bus grant mechanism will enforce the one level address pipeline. The critical condition is that before a third address tenure is granted, the first tenure (address and, if needed, data) must be completed. The arbiter will assert a bus grant to a master when there are masters requesting, or if parking is enabled and the one level pipeline condition is met.

10.2.2.2 Parking Modes

The bus grant mechanism will support the no parking, park on programmed master, and park on last master bus parking modes.

- When in no parking mode, the arbiter will not assert a bus grant when there are no masters asserting a bus request.
- In park on programmed master mode, the arbiter will assert a bus grant to the master indicated in the select parked master field (ACFG[SP]) when no masters are asserting a bus request and the one level pipeline will not be violated.
- In park on last master mode, the arbiter will assert a bus grant to the last master granted the bus when no masters are asserting a bus request and the one level pipeline will not be violated.

10.2.2.3 Watchdog Functions

10.2.2.3.1 Timer Functions

There are three watchdog timers: address tenure time out, data tenure time out, and bus activity time out. Each has a programmable timer count and can be disabled. A timer time-out will set a status bit and trigger an interrupt if that interrupt is enabled.

- The address tenure watchdog is a 32-bit timer. If an acknowledge is not detected by the programmed number of clocks after bus grant is accepted, the address watchdog timer will expire and the arbiter will issue an acknowledge. The related data tenure will be terminated with a transfer error acknowledge. The arbiter will set the Address Tenure Time-out Status bit in the arbiter status register and issue an interrupt if that interrupt is enabled.
The upper 28 bits of address tenure time-out are programmed via the address tenure time-out register. The lower 4 bits are always 0xF.
- The data tenure watchdog is a 32-bit timer. If a data tenure is not terminated, the data watchdog timer will expire and the arbiter will issue a transfer error acknowledge. The arbiter will set the Data Tenure Time-out Status bit in the arbiter status register and issue an interrupt if that interrupt is enabled.
Address Time-out (32 bits) = {address tenure time-out register (28bits), 0xF}
Data Time-out (32 bits) = {data tenure time-out register (28 bits), 0xF}
- The bus activity watchdog is a 32-bit timer. If no bus activity is detected by the programmed number of clocks, the bus activity watchdog timer will expire and the arbiter will set the Bus Activity Time-out Status bit in the arbiter status register and issue an interrupt if that interrupt is enabled.

NOTE

Enabling the data time-out will also enable the address time-out. It is recommended that the data watchdog timer should always be programmed to a value that is larger than the address watchdog timer. This prevents the XL bus arbiter from generating a transfer error acknowledge due to expiration of the data watchdog timer while the address tenure has not completed.

10.2.3 XLB Arbiter Register Descriptions

The XLB Arbiter registers and their locations are defined in [Table 10-2](#).

Table 10-2. XL Bus Arbiter Memory Map

MBAR Offset	Name	Byte0	Byte1	Byte2	Byte3	Access
0x240	Arbiter Configuration Register	XARB_CFG				R/W
0x244	Arbiter Version Register	XARB_VER				R
0x248	Arbiter Status Register	XARB_SR				R/W
0x24C	Arbiter Interrupt Mask Register	XARB_IMR				R/W
0x250	Arbiter Address Capture	XARB_ADRCAP				R/W
0x254	Arbiter Signal Capture	XARB_SIGCAP				R/W
0x258	Arbiter Address Timeout	XARB_ADRTO				R/W
0x25C	Arbiter Data Timeout	XARB_DATTO				R/W
0x260	Arbiter Bus Timeout	XARB_BUSTO				R/W
0x264	Arbiter Master Priority Enable	XARB_PRIEN				R/W
0x268	Arbiter Master Priority	XARB_PRI				R/W

10.2.3.1 Arbiter Configuration Register (XARB_CFG)

The arbiter configuration register is used to enable watchdog functions and arbiter protocol functions.

	31	30	29	28	27	26	25	24	23	22	21	20	19	18	17	16
R	PLDIS	0	0	0	0	0	0	0	0	0	0	0	0	0	0	0
W	[Greyed out]															
Reset	1	0	0	0	0	0	0	0	0	0	0	0	0	0	0	0
Reg Addr	MBAR + 0x0240															
	15	14	13	12	11	10	9	8	7	6	5	4	3	2	1	0
R	0	0	0	0	0	SP		0	PM	0	BA	DT	AT	0		
W	[Greyed out]							[Greyed out]			[Greyed out]					[Greyed out]
Reset	0	0	0	0	0	0	0	0	0	0	0	0	0	1	1	0
Reg Addr	MBAR + 0x0240															

Figure 10-4. Arbiter Configuration Register (XARB_CFG)

Table 10-3. XARB_CFG Bit Descriptions

Bit	Name	Description
31	PLDIS	Pipeline Disable. This bit is used to control the pipeline functionality 0 Enable pipeline 1 Disable pipeline
30–11	—	Reserved, should be cleared.
10–8	SP	Select Parked Master. These bits set the master that is used in Park on Programmed Master mode. 000 Master 0 001 Master 1 ... 111 Master 7).
7	—	Reserved, should be cleared.
6–5	PM[1:0]	Parking Mode. Parking modes are detailed in Section 10.2.2.2.2 on page 7. 00 No parking (default) 01 Reserved 10 Park on most recently used master 11 Park on programmed master as specified by the Select Parked Master bits 21:23 above.
4	—	Reserved, should be cleared.
3	BA	Bus Activity Time-out Enable. If enabled, the arbiter will set the Bus Activity Time-out Status bit (XARB_SR[BA]) when the Bus Activity Time-out is reached. Bus Activity Time-out is derived from the arbiter bus activity time out count register. 0 Enable bus activity time-out 1 Disable bus activity time-out
2	DT	Data Tenure Time-out Enable. If enabled, the arbiter will transfer error acknowledge when the Data Tenure Time-out is reached. Data Tenure Time-out is derived from the arbiter data tenure time out count register. Also, the arbiter will set the Data Tenure Time-out Status bit (Arbiter Status Register Bit 30). Setting this bit will also enable the Address Tenure Time-out. This is required to ensure that a data time-out will not occur before an address acknowledge. 0 Enable data tenure time-out 1 Disable data tenure time-out
1	AT	Address Tenure Time-out Enable. If enabled, the arbiter will AACK and TEA (if required) when the Address Tenure Time-out is reached. Address Tenure Time-out is derived from the Arbiter Address Tenure Time Out Count register. Also, the arbiter will set the Address Tenure Time-out Status bit (Arbiter Status Register Bit 31). Address Tenure Time-out is also enabled by the DT bit above. 0 Enable address tenure time-out 1 Disable address tenure time-out
0	—	Reserved, should be cleared.

10.2.3.2 Arbiter Version Register (XARB_VER)

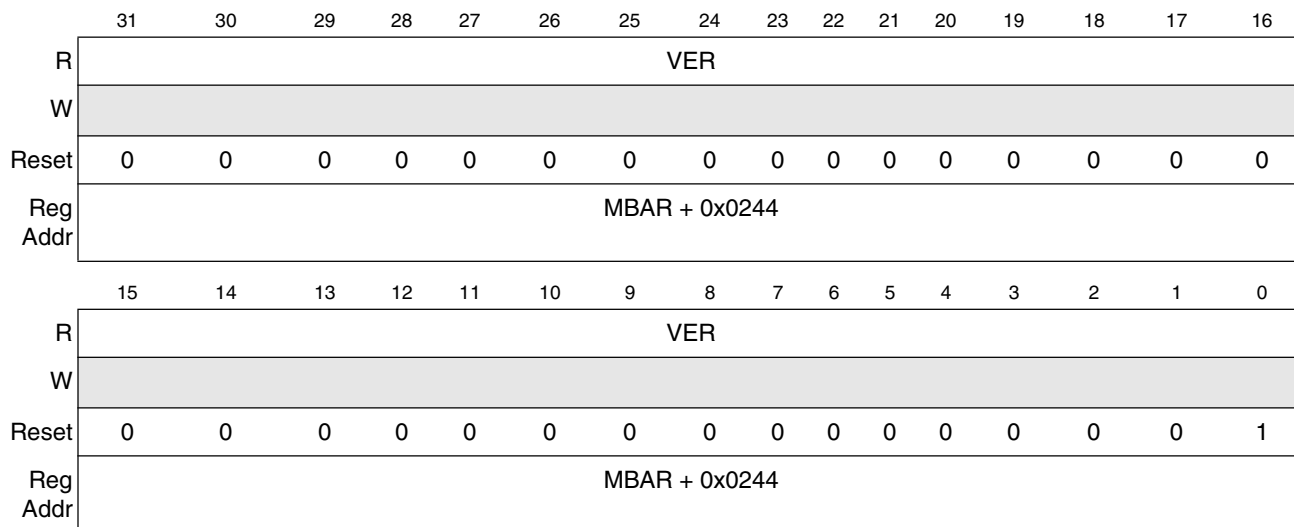


Figure 10-5. Arbiter Version Register (XARB_VER)

Table 10-4. VER Field Descriptions

Bit	Name	Description
31–0	VER	Hardware Version ID. The current version number is 0x0001.

10.2.3.3 Arbiter Status Register (XARB_SR)

The arbiter status register indicates the state of watchdog functions. When a monitored condition occurs, the respective bit is set to 1. The bit will stay set until the bit is cleared by writing a 1 into that bit. Even if the causal condition is removed, the bit will remain set until cleared.

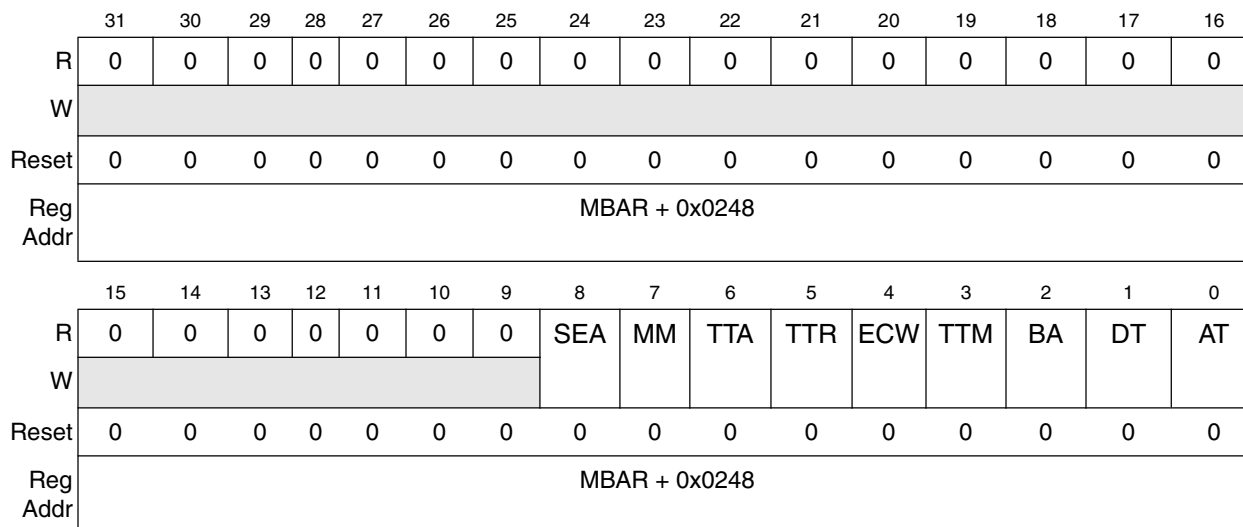


Figure 10-6. Arbiter Status Register (XARB_SR)

Table 10-5. XARB_SR Field Descriptions

Bits	Name	Description
31–9	—	Reserved, should be cleared.
8	SEA	Slave Error Acknowledge. This bit is set when an error is detected by any slave devices during the transfer.
7	MM	Multiple Masters at priority 0. If more than 1 master is recognized at priority 0, this bit is set. Once this occurs this bit will remain set until cleared. This bit is intended to help in tuning dynamic priority algorithm development.
6	TTA	TT Address Only. The arbiter automatically AACKs for address only TT codes. This bit is set when this occurs.
5	TTR	TT Reserved. The arbiter automatically AACKs for reserved TT codes. This bit is set when this occurs.
4	ECW	External Control Word Read/Write. External Control Word Read/Write operations are not supported on the XL bus. If either occur, the arbiter AACKs and TEAs and sets this bit.
3	TTM	TBST/TSIZ mismatch. Set when an illegal/reserved TBST and TSIZ[0:2] combination occurs. These combinations are TBST asserted and TSIZ[0:2] = 000, 001, 011, or 1xx (x is 0 or 1).
2	BA	Bus Activity Tenure Time-out. Set when the bus activity time-out counter expires.
1	DT	Data Tenure Time-out. Set when the data tenure time-out counter expires.
0	AT	Address Tenure Time-out. Set when the address tenure time-out counter expires.

10.2.3.4 Arbiter Interrupt Mask Register (XARB_IMR)

The arbiter interrupt mask register is used to enable a status bit to cause an interrupt. If the interrupt mask and corresponding status bits are set in the arbiter status register and arbiter interrupt mask register, the arbiter will assert the interrupt signal. Normally, an interrupt service routine would read the status register to determine the state of the arbiter. It is possible that multiple conditions exist that would cause an interrupt. Disabling an interrupt by writing a 0 to a bit in this register will not clear the status bit in the arbiter status register.

	31	30	29	28	27	26	25	24	23	22	21	20	19	18	17	16
R	0	0	0	0	0	0	0	0	0	0	0	0	0	0	0	0
W																
Reset	0	0	0	0	0	0	0	0	0	0	0	0	0	0	0	0
Reg Addr	MBAR + 0x024C															
	15	14	13	12	11	10	9	8	7	6	5	4	3	2	1	0
R	0	0	0	0	0	0	0	SEAE	MME	TTAE	TTRE	ECWE	TTME	BAE	DTE	ATE
W																
Reset	0	0	0	0	0	0	0	0	0	0	0	0	0	0	0	0
Reg Addr	MBAR + 0x024C															

Figure 10-7. Arbiter Interrupt Mask Register (XARB_IMR)

Table 10-6. XARB_IMR Field Descriptions

Bits	Name	Description
31–9	—	Reserved, should be cleared.
8	SEAE	Slave Error Acknowledge interrupt enable. 0 The corresponding interrupt source is masked. 1 The corresponding interrupt source is enabled.
7	MME	Multiple Masters at priority 0 interrupt enable. 0 The corresponding interrupt source is masked. 1 The corresponding interrupt source is enabled.
6	TTAE	TT Address Only interrupt enable. 0 The corresponding interrupt source is masked. 1 The corresponding interrupt source is enabled.
5	TTRE	TT Reserved interrupt enable. 0 The corresponding interrupt source is masked. 1 The corresponding interrupt source is enabled.
4	ECWE	External Control Word Read/Write interrupt enable. 0 The corresponding interrupt source is masked. 1 The corresponding interrupt source is enabled.
3	TTME	TBST/TSIZ mismatch interrupt enable. 0 The corresponding interrupt source is masked. 1 The corresponding interrupt source is enabled.
2	BAE	Bus Activity Tenure Time-out interrupt enable. 0 The corresponding interrupt source is masked. 1 The corresponding interrupt source is enabled.

Table 10-6. XARB_IMR Field Descriptions (Continued)

Bits	Name	Description
1	DTE	Data Tenure Time-out interrupt enable. 0 The corresponding interrupt source is masked. 1 The corresponding interrupt source is enabled.
0	ATE	Address Tenure Time-out interrupt enable. 0 The corresponding interrupt source is masked. 1 The corresponding interrupt source is enabled.

10.2.3.5 Arbiter Address Capture Register (XARB_ADRCAP)

The arbiter address capture register will capture the address for a tenure that has an address time-out, data time-out, or there is a transfer error acknowledge from another source. This value is held until unlocked by writing any value to the arbiter address capture register or arbiter bus signal capture register. This value is also unlocked by writing a 1 to either XARB_SR[DT] or XARB_SR[AT]. Unlocking the register does not clear its contents.

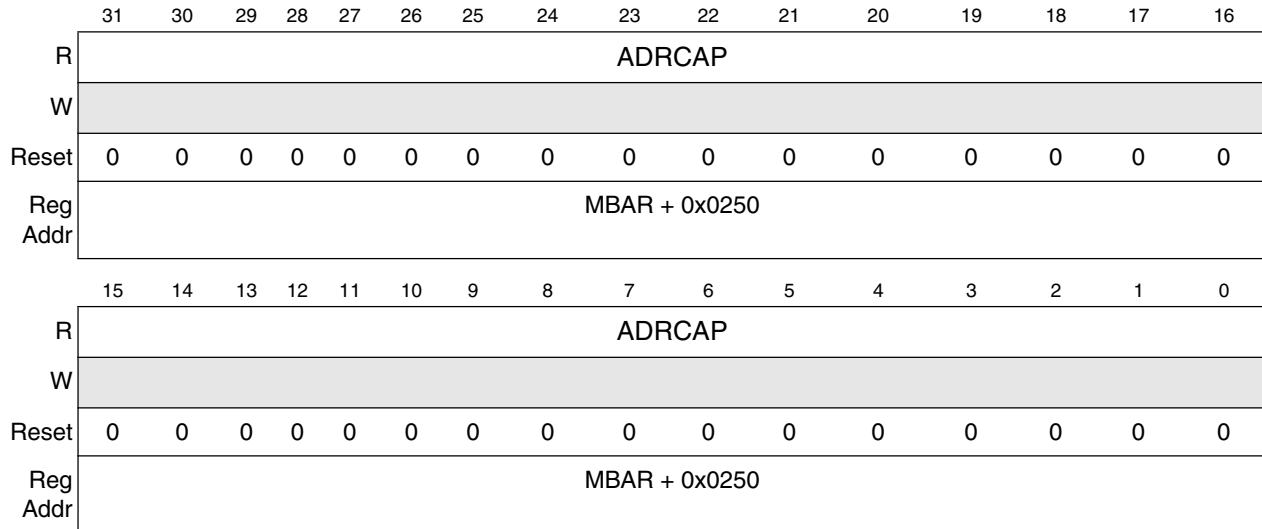


Figure 10-8. Arbiter Address Capture Register (XARB_ADRCAP)

Table 10-7. XARB_ADRCAP Field Descriptions

Bits	Name	Description
31–0	ADRCAP	Address that is captured when a bus error occurs. This happens on an address time-out, data time-out, or any transfer error acknowledge.

10.2.3.6 Arbiter Bus Signal Capture Register (XARB_SIGCAP)

Important bus signals are captured when a bus error occurs. This happens on an address time-out, data time-out, or any transfer error acknowledge.

The arbiter bus signal capture register will capture TT, TBST, and TSIZ for a tenure that has an address time-out or data time-out, or there is a transfer error acknowledge from another source. These values are held until unlocked by writing any value to the arbiter address capture register (XARB_ADRCAP) or

arbiter bus signal capture register (XARB_SIGCAP). These values are also unlocked by writing a 1 to either XARB_SR[DT] or XARB_SR[AT]. Unlocking the register does not clear its contents.

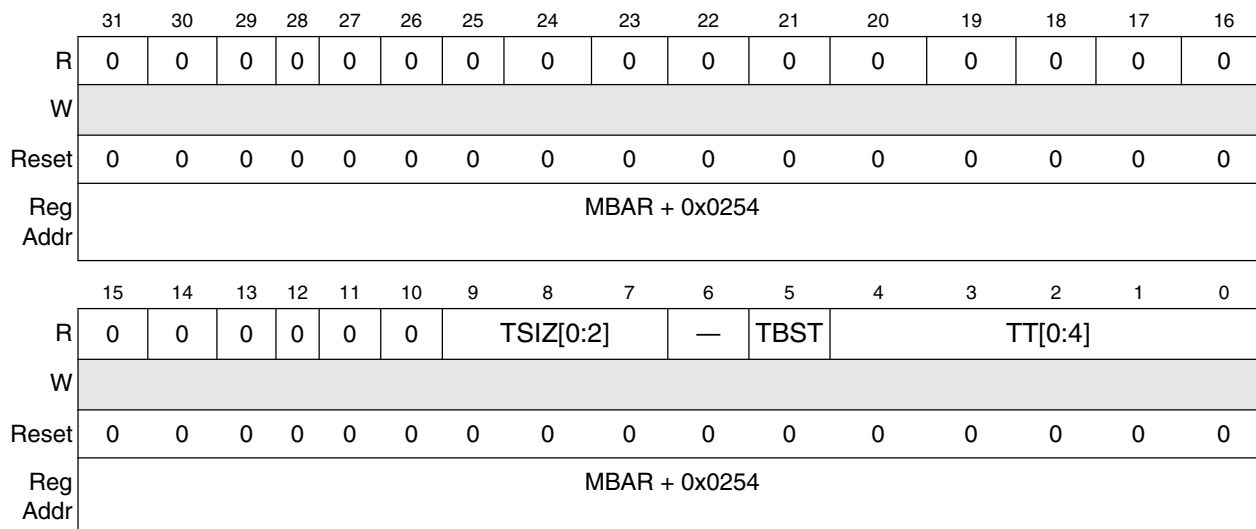


Figure 10-9. Arbiter Bus Signal Capture Register (XARB_SIGCAP)

Table 10-8. XARB_SIGCAP Field Descriptions

Bits	Name	Description
31–10	—	Reserved, should be cleared.
9–7	TSIZ[0:2]	TSIZ[0:2]
6	—	Reserved, should be cleared
5	TBST	TBST
4–0	TT	TT[0:4]

10.2.3.7 Arbiter Address Tenure Time Out Register (XARB_ADRTO)

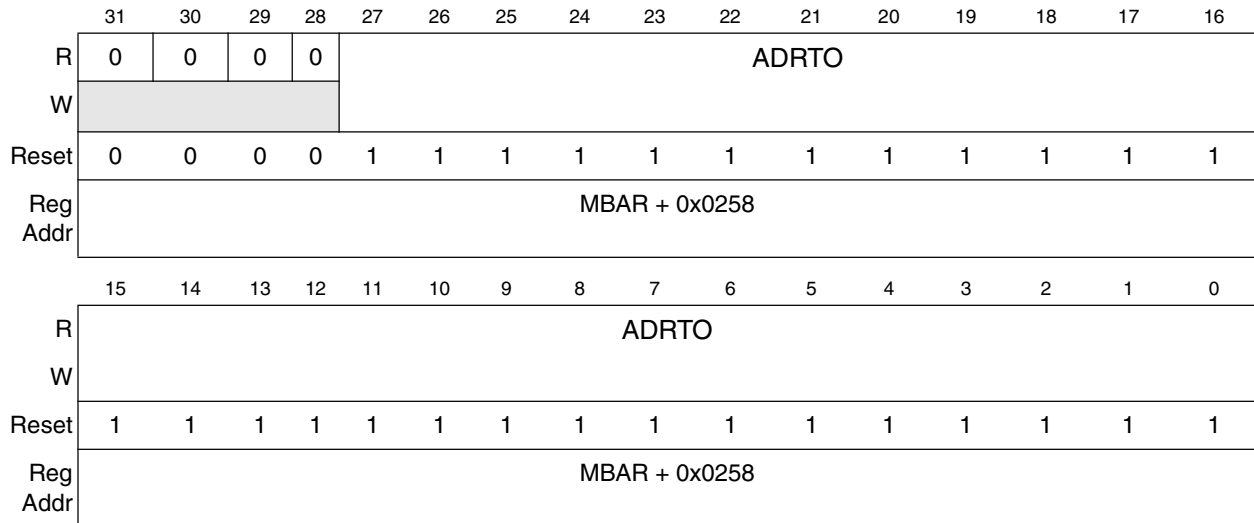


Figure 10-10. Arbiter Address Tenure Time Out Register (XARB_ADRTO)

Table 10-9. XARB_ADRTO Field Descriptions

Bits	Name	Description
31–28	—	Reserved, should be cleared.
27–0	ADRTO	Upper 28-bits of the Address time-out counter value. This field is prepended to 0xF to generate the full 32-bit time-out counter value.

10.2.3.8 Arbiter Data Tenure Time Out Register (XARB_DATTO)

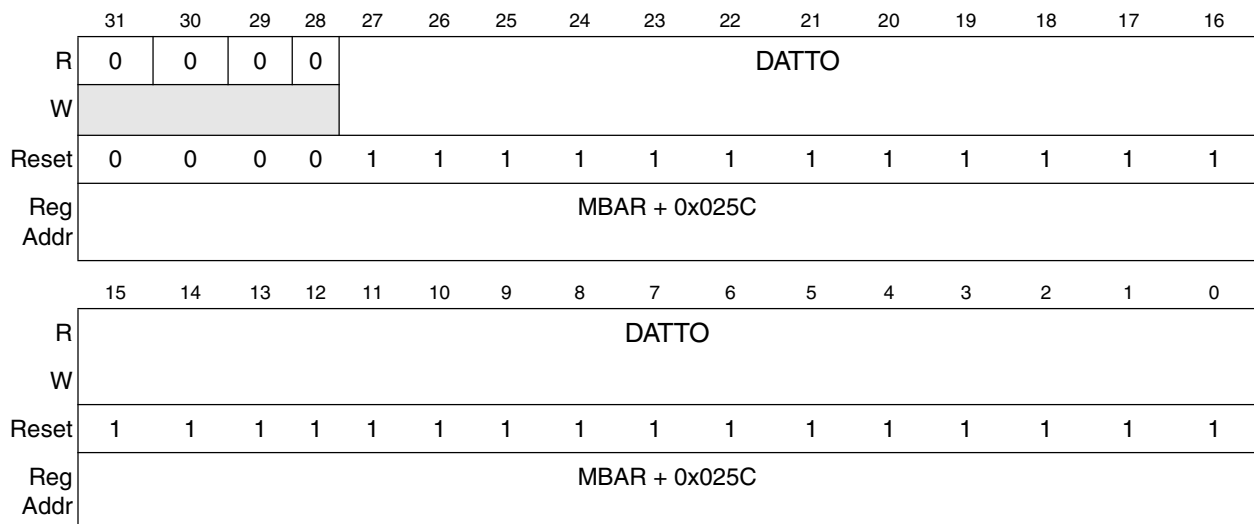


Figure 10-11. Arbiter Data Tenure Time Out Register (XARB_DATTO)

Table 10-10. XARB_DATTO Field Descriptions

Bits	Name	Description
31–28	—	Reserved, should be cleared.
27–0	DATTO	Upper 28-bits to the Data time-out counter value. This field is prepended to 0xF to generate the full 32-bit time-out counter value.

10.2.3.9 Arbiter Bus Activity Time Out Register (XARB_BUSTO)

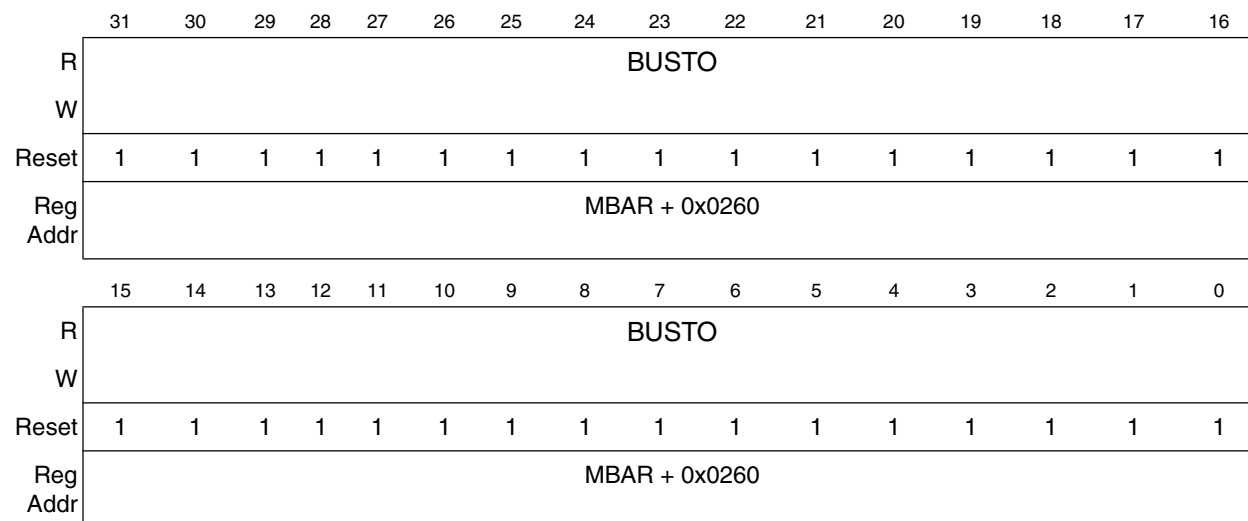


Figure 10-12. Arbiter Bus Activity Time Out Register (XARB_BUSTO)

Table 10-11. XARB_BUSTO Field Descriptions

Bits	Name	Description
31–0	BUSTO	Bus activity time-out counter value in XLB clocks.

10.2.3.10 Arbiter Master Priority Enable Register (XARB_PRIEN)

The arbiter master priority enable register determines whether the arbiter uses the hardwired or software programmable priority for a master. The default is enabled for all masters. Both methods may be used at the same time for different masters. This register may be written at any time. The change will become effective 1 clock after the register is written.

	31	30	29	28	27	26	25	24	23	22	21	20	19	18	17	16
R	0	0	0	0	0	0	0	0	0	0	0	0	0	0	0	0
W	—															
Reset	0	0	0	0	0	0	0	0	0	0	0	0	0	0	0	0
Reg Addr	MBAR + 0x0264															
	15	14	13	12	11	10	9	8	7	6	5	4	3	2	1	0
R	0	0	0	0	0	0	0	0	—	—	—	—	M3	M2	—	M0
W	—								—							
Reset	0	0	0	0	0	0	0	0	1	1	1	1	1	1	1	1
Reg Addr	MBAR + 0x0264															

Figure 10-13. Arbiter Master Priority Enable Register (XARB_PRIEN)

Table 10-12. XARB_PRIEN Field Descriptions

Bits	Name	Description
31–4	—	Reserved, should be cleared.
3	M3	Master 3 Priority Register Enable
2	M2	Master 2 Priority Register Enable
1	—	Reserved, should be cleared.
0	M0	Master 0 Priority Register Enable

When enabled, the software programmable value in the arbiter master priority register (XARB_PRI) is used as the priority for the master. When disabled, the master's priority is determined as follows:

Table 10-13. Hardcoded Master Priority

Master	Priority	Description
M7–M4	—	Unused
M3	7	PCI Target Interface
M2	7	Multichannel DMA
M1	—	Unused
M0	7	ColdFire core

10.2.3.11 Arbiter Master Priority Register (XARB_PRI)

The master n priority bits of the arbiter master priority register are used to set the priority of each master if the corresponding arbiter master priority enable register bit is enabled. This XARB_PRI register, in conjunction with the arbiter master priority enable (XARB_PRIEN) register, allows master priorities to be set, ignoring the hardcoded priority. This register may be written at anytime. The change will become effective 1 clock after the register is written. Valid values are from 0 to 7, with 0 being the highest priority.

	31	30	29	28	27	26	25	24	23	22	21	20	19	18	17	16
R	0	Reserved			0	Reserved			0	Reserved			0	Reserved		
W	Reserved															
Reset	0	1	1	1	0	1	1	1	0	1	1	1	0	1	1	1
Reg Addr	MBAR + 0x0268															
	15	14	13	12	11	10	9	8	7	6	5	4	3	2	1	0
R	0	M3 Priority			0	M2 Priority			0	Reserved			0	M0 Priority		
W	Reserved															
Reset	0	1	1	1	0	1	1	1	0	1	1	1	0	1	1	1
Reg Addr	MBAR + 0x0268															

Figure 10-14. Arbiter Master Priority Register (XARB_PRI)

Table 10-14. XARB_PRI Field Descriptions

Bits	Name	Description
31–15	—	Reserved, should be cleared.
14–12	M3P	Master 3 Priority
11	—	Reserved, should be cleared.
10–8	M2P	Master 2 Priority
7–3	—	Reserved, should be cleared.
2–0	M0P	Master 0 Priority

Chapter 11

General Purpose Timers (GPT)

11.1 Introduction

This chapter describes the operation of the MCF547x general purpose timers.

11.1.1 Overview

The MCF547x has four general-purpose timers (GPT[0:3]) that are configurable for the following functions:

- Input capture
- Output capture
- Pulse width modulation (PWM) output
- Simple GPIO
- Internal CPU timer
- Watchdog timer (on GPT0 only)

Timer modules run off the internal peripheral bus clock. Each timer is associated to a single I/O signal. Each timer has a 16-bit prescaler and 16-bit counter, thus achieving a 32-bit range (but only 16-bit resolution).

11.1.2 Modes of Operation

The following gives a brief description of the available GPT modes:

1. **Input Capture**—When enabled in this mode, the counters run until the specified capture event occurs (rise, fall, or pulse) on TIN[3:0]. At the capture event, the counter value is latched in the status register. When this occurs, a CPU interrupt is generated.
2. **Output Capture**—When enabled in this mode, the counters run until they reach the programmed terminal count value. At this point, the specified output event is generated (toggle, pulse high, or pulse low) on TOUT[3:0]. When this occurs, a CPU interrupt is generated.
3. **PWM (pulse width modulation)**—In this mode the user can program period and width values to create an adjustable, repeating output waveform on TOUT[3:0]. A CPU interrupt can be generated at the beginning of each PWM period, at which time a new width value can be loaded. The new width value, which represents “ON time,” is automatically applied at the beginning of the next period. This mode is suitable for PWM audio encoding.
4. **Simple GPIO**—In this mode TOUT[3:0] and TIN[3:0] operate as a GPIO. Either TOUT[3:0] or TIN[3:0] are specified, according to the programmable GPIO field. GPIO mode is mutually exclusive of modes 1 through 3 (listed above). In GPIO mode, modes 5 through 6 (listed below) remain available.
5. **CPU Timer**—The I/O signal is not used in this mode. Once enabled, the counters run until they reach a programmed terminal count. When this occurs, an interrupt can be generated to the CPU. This timer mode can be used simultaneously with the simple GPIO mode.

6. Watchdog Timer—This is a special CPU timer mode, available only on GPT0. The user must enable the watchdog timer mode, which is not active upon reset. The terminal count value is programmable. If the counter is allowed to expire, a full reset occurs. To prevent the watchdog timer from expiring, software must periodically write 0xA5 to the GMS0[OCPW] field. This causes the counter to reset.

11.2 External Signals

The GPT signals are the following:

- TIN[3:0]—External timer input
- TOUT[3:0]—External timer output

11.3 Memory Map/Register Definition

Each GPT uses four 32-bit registers. These registers are located at MBAR + the GPT offset 0x800.

Table 11-1 summarizes the GPT control registers.

Table 11-1. General Purpose Timer Memory Map

Address (MBAR +)	Name	Byte 0	Byte 1	Byte 2	Byte 3	Access
0x800	GPT Enable and Mode Select Register 0	GMS0				R/W
0x804	GPT Counter Input Register 0	GCIR0				R/W
0x808	GPT PWM Configuration Register 0	GPWM0				R/W
0x80C	GPT Status Register 0	GSR0				R
0x810	GPT Enable and Mode Select Register 1	GMS1				R/W
0x814	GPT Counter Input Register 1	GCIR1				R/W
0x818	GPT PWM Configuration Register 1	GPWM1				R/W
0x81C	GPT Status Register 1	GSR1				R
0x820	GPT Enable and Mode Select Register 2	GMS2				R/W
0x824	GPT Counter Input Register 2	GCIR2				R/W
0x828	GPT PWM Configuration Register 2	GPWM2				R/W
0x82C	GPT Status Register 2	GSR2				R
0x830	GPT Enable and Mode Select Register 3	GMS3				R/W
0x834	GPT Counter Input Register 3	GCIR3				R/W
0x838	GPT PWM Configuration Register 3	GPWM3				R/W
0x83C	GPT Status Register 3	GSR3				R

11.3.1 GPT Enable and Mode Select Register (GMS_n)

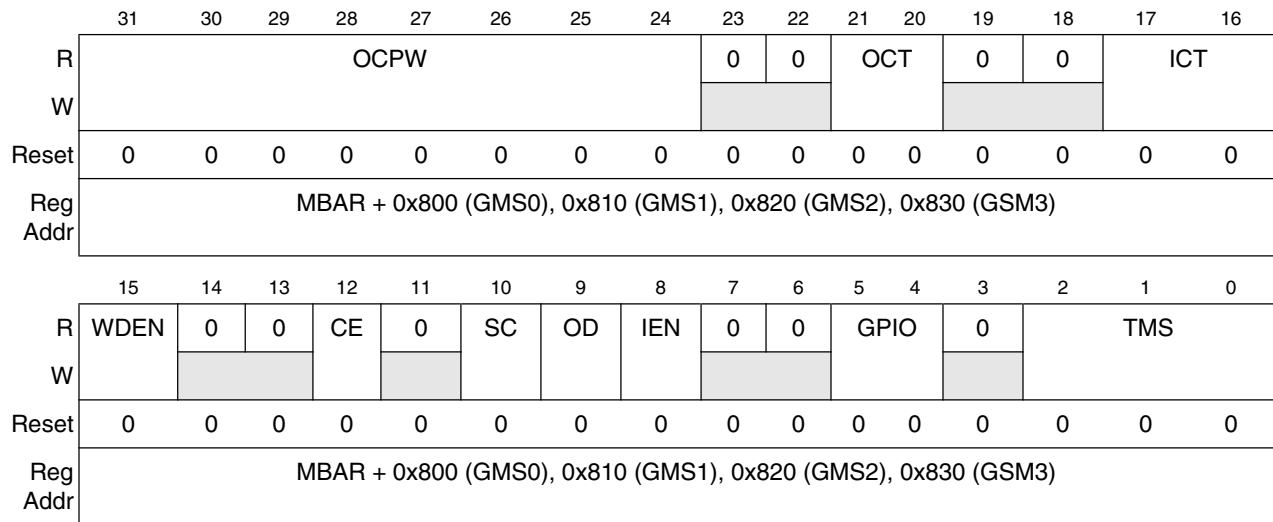


Figure 11-1. GPT Enable and Mode Select Register (GMS_n)

Table 11-2. GMS_n Field Descriptions

Bits	Name	Description
31–24	OCPW	Output capture pulse width. Applies to OC pulse types only. This field specifies the number of clocks (non-prescaled) to create a short output pulse at each output event. This pulse is generated at the end of the output capture period and overlays the next OC period (rather than adding to the period). This field is alternately used as the watchdog reset field if watchdog timer mode is enabled.
23–22	—	Reserved, should be cleared.
21–20	OCT	Output capture type. Describes action to occur at each output capture event, as follows: 00 Special case, output is immediately forced low without respect to each output capture event. 01 Output pulses high, initial value is low (OCPW field applies). 10 Output pulses low, initial value is high (OCPW field applies). 11 Output toggles. GPIO modalities can be used to achieve an initial output state prior to enabling OC mode. It is important to move directly from GPIO output mode to OC mode and not to pass through the TMS=000 state. To prevent the internal timer mode from engaging during the GPIO state, CE bit should be cleared during the configuration steps. GPIO initialization is needed when presetting the I/O to 1 in conjunction with a simple toggle OCT setting.
19–18	—	Reserved, should be cleared.
17–16	ICT	Input capture type. Describes the input transition type required to trigger an input capture event, as follows: 00 Any input transition causes an IC event. 01 IC event occurs at input rising edge. 10 IC event occurs at input falling edge. 11 IC event occurs at any input pulse (i.e., at the second input edge).

Table 11-2. GMS_n Field Descriptions (Continued)

Bits	Name	Description
15	WDEN	<p>Watchdog enable. Enables watchdog operation. A timer expiration causes an internal MCF547X reset. Watchdog operation requires the TMS field be set for internal timer mode and the CE bit to be set.</p> <p>In this mode the OCPW byte field operates as a watchdog reset field. Writing A5 to the OCPW field resets the watchdog timer, preventing it from expiring. As long as the timer is properly configured, the watchdog operation continues.</p> <p>This bit (and functionality) is implemented only for GPT0.</p> <p>0 Watchdog not enabled 1 Watchdog enabled</p>
14–13	—	Reserved, should be cleared.
12	CE	<p>Counter enable. Enables or resets the internal counter during internal timer modes only. CE must be set to enable these modes. If cleared, counter is held in reset.</p> <p>0 Timer counter held in reset 1 Timer counter enabled</p> <p>This bit is secondary to the timer mode select bits (TMS). If TMS is 1XX, internal timer modes are enabled. CE can then enable or reset the internal counter without changing the TMS field.</p> <p>GPIO operation is also available in this mode.</p>
11	—	Reserved, should be cleared.
10	SC	<p>Stop/continuous mode.</p> <p>0 Stops the operation 1 Continues the operation</p> <p>The SC bit applies to multiple modes, as follows:</p> <p>IC mode (input capture mode) Stop operation—At each IC event, counter is reset. Continuous operation—counter is not reset at each IC event. Effect is to create status count values that are cumulative between capture events. If the special pulse mode capture type is specified, the SC bit is not used, operation fixed as if it were stop.</p> <p>OC mode (output capture mode) Stop operation—Counter resets and stops at the first output capture event. Software needs to pass through TMS=000 state to restart timer. Continuous operation—counter resets and continues at each OC event. The effect to is create back-to-back periodic OC events.</p> <p>PWM mode (pulse width modulation mode) The SC bit is not used; operation is always continuous.</p> <p>CPU Timer mode Stop operation—On counter expiration, timer waits until status bit is cleared by passing through TMS=000 state before beginning a new cycle. Continuous operation—On counter expiration, timer resets and immediately begin a new cycle. The effect is to generate fixed periodic timeouts.</p> <p>WatchDog Timer and GPIO modes The SC bit is not used.</p>

Table 11-2. GMS_n Field Descriptions (Continued)

Bits	Name	Description
9	OD	Open drain. 0 Normal I/O 1 Open Drain emulation—affects all modes that drive the I/O pin (GPIO, OC, and PWM). Any output “1” is converted to a tri-state at the I/O pin.
8	IEN	Interrupt enable. Enables interrupt generation to the CPU for all modes (IC, OC, PWM, and Internal Timer). IEN is not required for watchdog expiration to create a reset. 0 Interrupt disabled 1 Interrupt enabled
7–6	—	Reserved, should be cleared.
5–4	GPIO	GPIO mode type. Simple GPIO functionality that can be used simultaneously with the internal timer mode. It is not compatible with IC, OC, or PWM modes, because these modes dictate the usage of the I/O signals. 0X Timer enabled as simple GPIO input on TIN _n 10 Timer enabled as simple GPIO output, TOUT _n =0 11 Timer enabled as simple GPIO output, TOUT _n =1 (tri-state if OD=1) While in GPIO modes, internal timer mode is also available. To prevent undesired timer expiration, keep the CE bit cleared.
3	—	Reserved, should be cleared.
2–0	TMS	Timer mode select (and module enable). 000 Timer module not enabled. All timer operation is completely disabled. Control and status registers are still accessible. This mode should be entered when the timer is to be re-configured. 001 Timer enabled for input capture. 010 Timer enabled for output capture. 011 Timer enabled for PWM. 1XX Timer enabled for simple GPIO. Internal timer modes available. CE bit controls timer counter.

11.3.2 GPT Counter Input Register (GCIR_n)

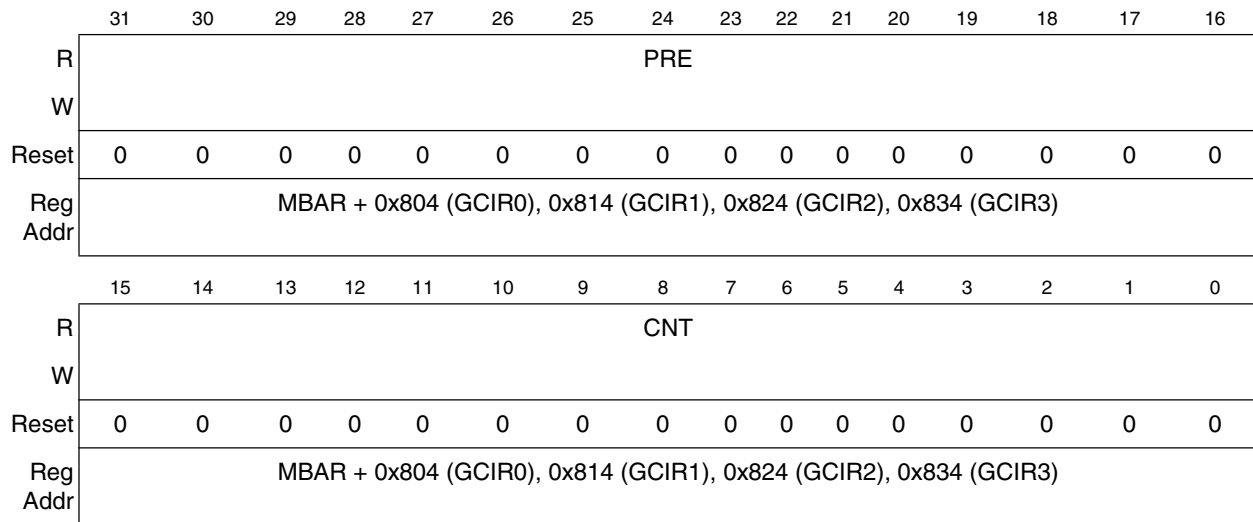


Figure 11-2. GPT Counter Input Register (GCIR_n)

Table 11-3. GCIR_n Field Descriptions

Bits	Name	Description
31–16	PRE	Prescaler. Prescale amount applied to internal counter (in clocks). Note that in addition to other enable bits and field settings, the PRE field must be written as non-zero to enable counter operation for all modes except the simple GPIO mode. A prescale of 0x0001 means one clock per count increment.
15–0	CNT	Count value. Sets number of prescaled counts applied to reference events, as follows: IC—Field has no effect, internal counter starts at 0. OC—Number of prescaled counts counted before creating output event. PWM—Number of prescaled counts defining the PWM output period. Internal Timer—Number of prescaled counts counted before timer (or watchdog) expires. Reading this register only returns the programmed value, intermediate values of the internal counter are not available to software.

11.3.3 GPT PWM Configuration Register (GPWM n)

	31	30	29	28	27	26	25	24	23	22	21	20	19	18	17	16	
R	WIDTH																
W																	
Reset	0	0	0	0	0	0	0	0	0	0	0	0	0	0	0	0	
Reg Addr	MBAR + 0x808 (GPWM0), 0x818 (GPWM1), 0x828 (GPWM2), 0x838 (GPWM3)																
	15	14	13	12	11	10	9	8	7	6	5	4	3	2	1	0	
R	0	0	0	0	0	0	0	PWMOP	0	0	0	0	0	0	0	0	LOAD
W																	
Reset	0	0	0	0	0	0	0	0	0	0	0	0	0	0	0	0	0
Reg Addr	MBAR + 0x808 (GPWM0), 0x818 (GPWM1), 0x828 (GPWM2), 0x838 (GPWM3)																

Figure 11-3. GPT PWM Configuration Register (GPWM n)

Table 11-4. GPWM n Field Descriptions

Bits	Name	Description
31–16	WIDTH	PWM width. Used in PWM mode only. Defines ON time for output in prescaled counts. Similar to count value, which defines the period. ON time overlays the period time. If WIDTH = 0, output is always OFF. If WIDTH exceeds count value, output is always ON. ON and OFF polarity is set by the PWMOP bit.
15–9	—	Reserved. Should be cleared.
8	PWMOP	PWM output polarity. Defines PWM output polarity for OFF time. Opposite state is ON time. PWM cycles begin with ON time. 0 PWM output is low during OFF time 1 PWM output is high during OFF time
7–1	—	Reserved. Should be cleared.
0	LOAD	Bit forces immediate period update. Bit auto clears itself. A new period begins immediately with the current count and width settings. If LOAD = 0, new count or width settings are not updated until end of current period. Prescale setting is not part of this process. Changing prescale value while PWM is active causes unpredictable results for the period in which it was changed. The same is true for PWMOP bit.

11.3.4 GPT Status Register (GSR_n)

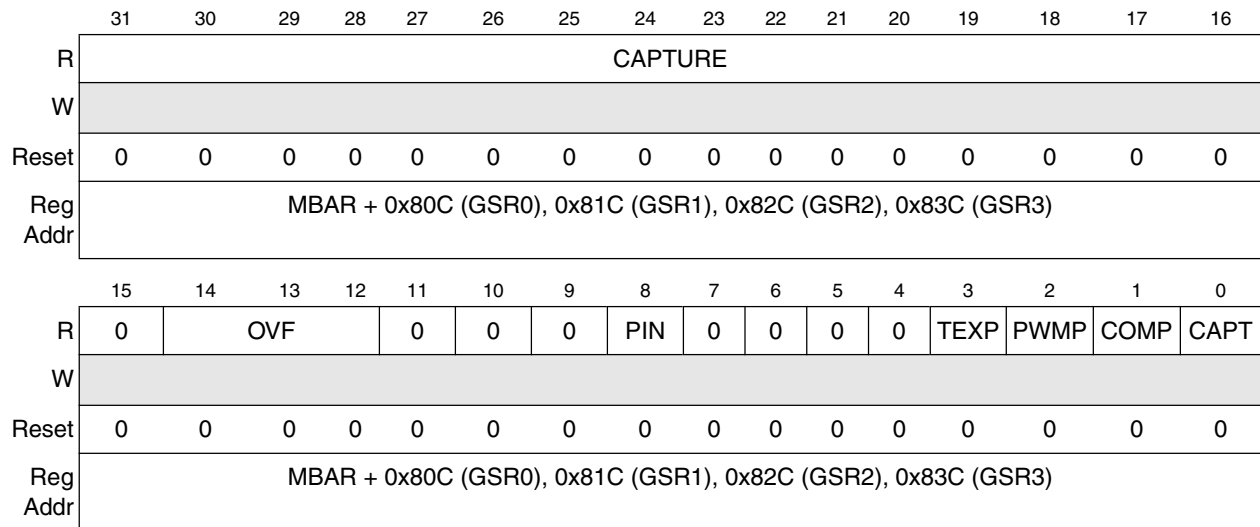


Figure 11-4. GPT Status Register (GSR_n)

Table 11-5. GSR_n Field Descriptions

Bits	Name	Description
31–16	CAPTURE	Read of internal counter, latch at reference event. This is pertinent only in IC mode, in which case it represents the count value at the time the input event occurred. Capture status does not shadow the internal counter while an event is pending, it is updated only at the time the input event occurs. If ICT is set to 11, which is Pulse Capture Mode, the Capture value records the width of the pulse. Also, the SC bit is irrelevant in Pulse Capture Mode, operation is as if SC were 0.
15	—	Reserved. Should be cleared.
14–12	OVF	Overflow counter. Represents how many times internal counter has rolled over. This is pertinent only during IC mode and would represent an extremely long period of time between input events. However, if SC = 1 (indicating cumulative reporting of input events), this field could come into play. This field is cleared by any “sticky bit” status write in the TEXP, PWMP, COMP, or CAPT bit fields.
11–9	—	Reserved
8	PIN	GPIO input value. This bit reflects the registered state of the TIN _n pin (all modes). The clock registers the state of the input. Valid, even if timer is not enabled.
7–4	—	Reserved. Should be cleared.
3	TEXP	Timer expired in internal timer mode. Cleared by writing 1 to this bit position. Also cleared if TMS is 000 (i.e., timer not enabled).
2	PWMP	PWM end of period occurred. Cleared by writing 1 to this bit position. Also cleared if TMS is 000 (i.e., timer not enabled).

Table 11-5. GSR n Field Descriptions (Continued)

Bits	Name	Description
1	COMP	OC reference event occurred. Cleared by writing 1 to this bit position. Also cleared if TMS is 000 (i.e., timer not enabled).
0	CAPT	IC reference event occurred. Cleared by writing 1 to this bit position. Also cleared if TMS is 000 (i.e., timer not enabled).

11.4 Functional Description

11.4.1 Timer Configuration Method

Use the following method to configure each timer:

1. Determine the mode select field (GMS n [TMS]) value for the desired operation.
2. Program any other registers associated with this mode.
3. Program interrupt enable as desired.
4. Enable the timer by writing the mode select value into the TMS field.

11.4.2 Programming Notes

Programmers should observe the following notes:

1. Intermediate values of the timer internal counters are *not* readable by software.
2. In PWM mode, an interrupt occurs at the beginning of a pulse. An interrupt service routine prepares the new pulse width of the next pulse while the current pulse is running. This scenario works for all pulses except first, because for this one there is no first immediate interrupt. Two options for compensating for the lack of the first immediate interrupt are the following:
 - Program software to ignore it
 - Set the LOAD bit in the PWM configuration register with the WIDTH bits preserved as soon as PWM mode is kicked-off
3. The stop/continuous mode bit (GMS n [SC]) operates differently for different modes. In general, this bit controls whether the timer halts at the end of a current mode, or resets and continues with a repetition of the mode. See [Table 11-2](#) for precise operation.
4. The GMS n [TMS] field operates somewhat as a global enable. If it is zero, then all timer modes are disabled and internal counters are reset. See [Table 11-2](#) for more detail.
5. There is a counter enable bit (GMS n [CE]) that operates somewhat independently of the TMS field. This bit controls the counter for CPU timer or watchdog timer modes only. See [Table 11-2](#) to understand the operation of these bits across the various modes.



THIS PAGE INTENTIONALLY LEFT BLANK

Chapter 12

Slice Timers (SLT)

12.1 Introduction

This chapter explains the operation of the MCF547Xx slice timers.

12.1.1 Overview

Two slice timers are included to provide shorter term periodic interrupts—SLT0 and SLT1. Each timer consists of a 32-bit counter with no prescale. The counters count down from a prescribed value and expire/interrupt when they reach zero. They can be configured to automatically preset to the prescribed value and resume counting or wait until the status/interrupt is serviced before beginning a new cycle.

The current count value can be read without disturbing the count operation. Each SLT has a status bit to indicate the timer has expired. If enabled, a CPU interrupt is generated at count expiration. Each timer has a separate interrupt. Clearing the status and/or interrupt is accomplished by writing 1 to the status bit, or disabling the timer entirely with the timer enable (SCR[TEN]) bit.

Software should write a terminal count value of greater than 255.

12.2 Memory Map/Register Definition

There are two slice timers. Each one uses four 32-bit registers. These registers are located at an offset from MBAR of 0x900.

Table 12-1 summarizes the SLT control registers.

Table 12-1. Slice Timer Memory Map

Address (MBAR +)	Name	Byte 0	Byte 1	Byte 2	Byte 3	Access
0x900	SLT Terminal Count Register 0	STCNT0				R/W
0x904	SLT Control Register 0	SCR0				R/W
0x908	SLT Count Value Register 0	SCNT0				R
0x90C	SLT Status Register 0	SSR0				R
0x910	SLT Terminal Count Register 1	STCNT1				R/W
0x914	SLT Control Register 1	SCR1				R/W
0x918	SLT Count Value Register 1	SCNT1				R
0x91C	SLT Status Register 1	SSR1				R

12.2.1 SLT Terminal Count Register (STCNT n)

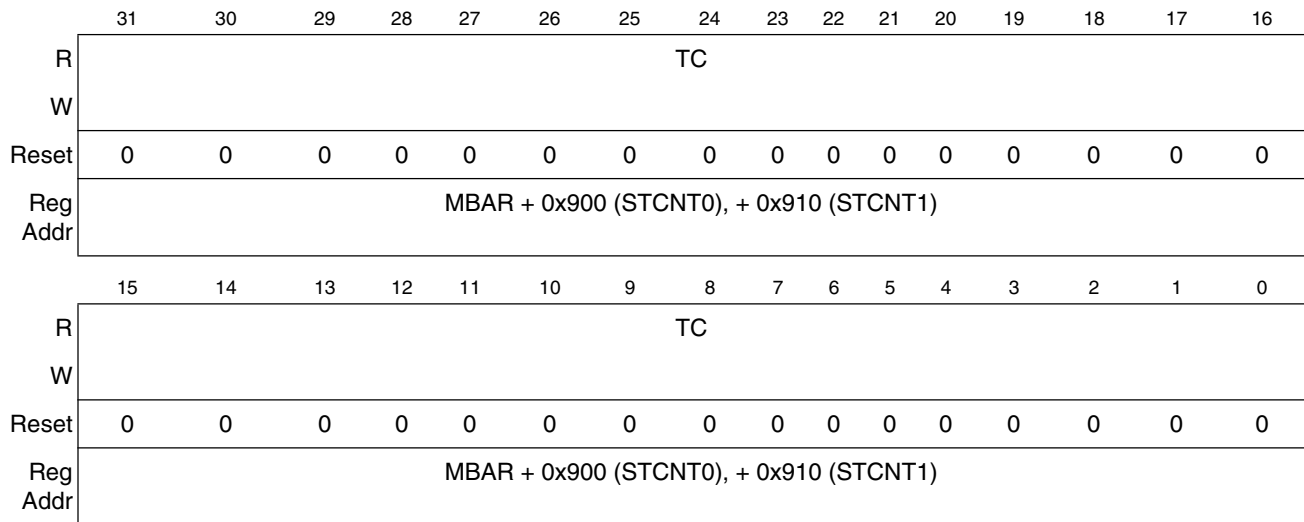


Figure 12-1. SLT Terminal Count Register (STCNT n)

Table 12-2. STCNT n Field Descriptions

Bits	Name	Description
31–0	TC	Terminal count. GPIO output bit set. The user programs this register to set the terminal count value to be used by the SLT. This register can be updated even if the timer is running; the new value takes effect immediately. The new value also clears any existing interrupt. Note: Software should not write a value less than 255 to the timer.

12.2.2 SLT Control Register (SCR n)

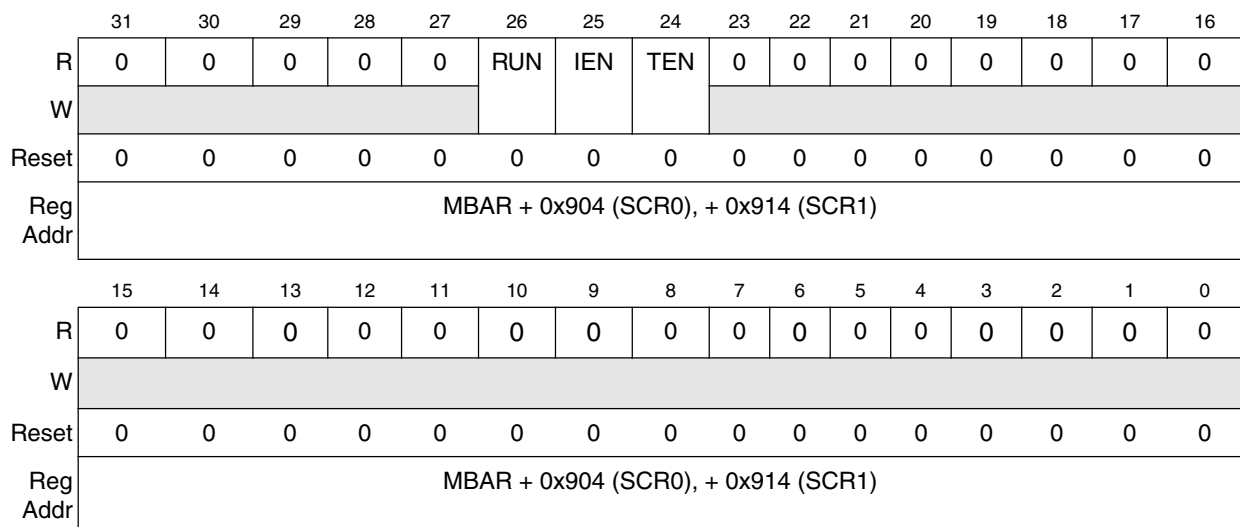
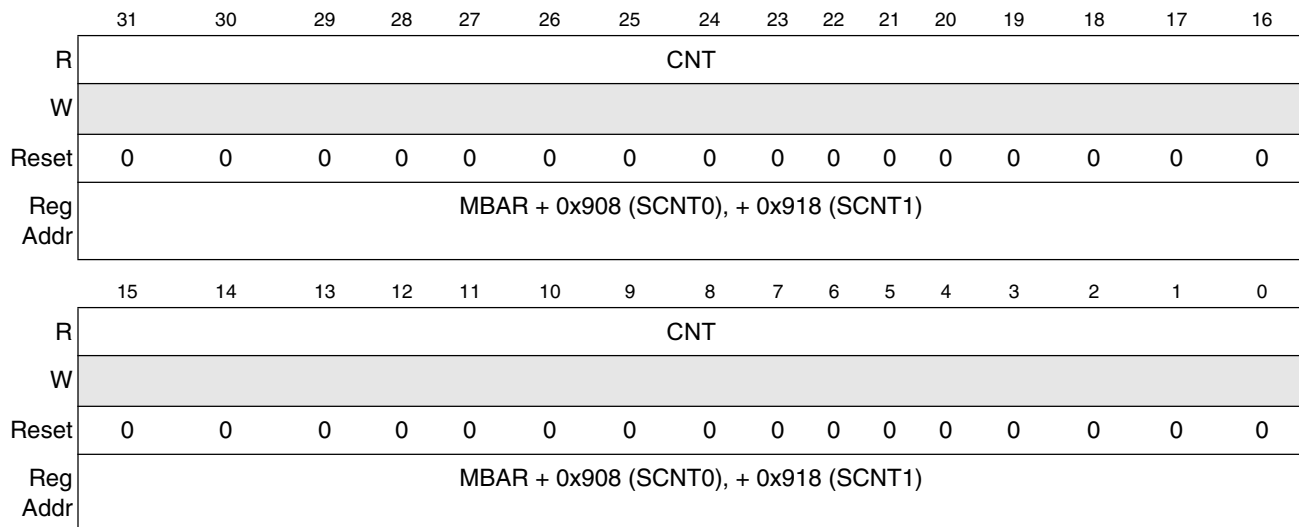


Figure 12-2. SLT Control Register (SCR n)

Table 12-3. SCR n Field Descriptions

Bits	Name	Description
31–27	—	Reserved, should be cleared.
26	RUN	Run or wait mode 0 Timer counter expires, but then waits until the timer is cleared (either by writing 1 to the status bit or by disabling and re-enabling the timer), before resuming operation. 1 Timer is enabled, and runs continuously. When the timer counter expires the terminal count value immediately is reloaded and resumes counting down.
25	IEN	Interrupt enable. A CPU interrupt is generated only if this bit is set. 0 Interrupt is not generated 1 Interrupt is generated This bit does <i>not</i> affect operation of the timer counter or status bit registers.
24	TEN	Timer enable 0 Timer is reset, then remains idle 1 Normal timer operation
23–0	—	Reserved, should be cleared.

12.2.3 SLT Timer Count Register (SCNT n)

Figure 12-3. SLT Count Register (SCNT n)Table 12-4. SCNT n Field Descriptions

Bits	Name	Description
31–0	CNT	Timer count. GPIO output bit set. Provides the current state of the timer counter. This register does not change while a read is in progress, but the actual timer counter continues unaffected.

12.2.4 SLT Status Register (SSR_n)

	31	30	29	28	27	26	25	24	23	22	21	20	19	18	17	16
R	0	0	0	0	0	0	BE	ST	0	0	0	0	0	0	0	0
W																
Reset	0	0	0	0	0	0	0	0	0	0	0	0	0	0	0	0
Reg Addr	MBAR + 0x90C (SSR0), + 0x91C (SSR1)															
	15	14	13	12	11	10	9	8	7	6	5	4	3	2	1	0
R	0	0	0	0	0	0	0	0	0	0	0	0	0	0	0	0
W																
Reset	0	0	0	0	0	0	0	0	0	0	0	0	0	0	0	0
Reg Addr	MBAR + 0x90C (SSR0), + 0x91C (SSR1)															

Figure 12-4. SLT Status Register (SSR_n)

Table 12-5. SSR_n Field Descriptions

Bits	Name	Description
31–26	—	Reserved, should be cleared
25	BE	Bus Error Status. Provides information on attempted write to read-only register. The bit is cleared by writing 1 to its bit position.
24	ST	SLT timeout. This status bit is set whenever the timer has expired. The bit is cleared by writing 1 to its bit position. If interrupts are enabled, clearing this status bit also clears the interrupt.
23–0	—	Reserved, should be cleared.

Chapter 13

Interrupt Controller

13.1 Introduction

This section details the functionality for the MCF547x interrupt controller. The general features of the interrupt controller include:

- 63 interrupt sources, organized as:
 - 56 fully-programmable interrupt sources
 - 7 fixed-level interrupt sources
- Each of the 63 sources has a unique interrupt control register (ICR n) to define the software-assigned levels and priorities within the level
- Unique vector number for each interrupt source
- Ability to mask any individual interrupt source, plus global mask-all capability
- Support for both hardware and software interrupt acknowledge cycles
- “Wake-up” signal from stop mode

The 56 fully-programmable and seven fixed-level interrupt sources for each of the two interrupt controllers on the MCF547x handle the complete set of interrupt sources from all of the modules on the device. This section describes how the interrupt sources are mapped to the interrupt controller logic, and how interrupts are serviced.

13.1.1 68K/ColdFire Interrupt Architecture Overview

Before continuing with the specifics of the MCF547x interrupt controller, a brief review of the interrupt architecture of the 68K/ColdFire family is appropriate.

The interrupt architecture of ColdFire is exactly the same as the M68000 family, where there is a 3-bit encoded interrupt priority level sent from the interrupt controller to the core, providing 7 levels of interrupt requests. Level 7 represents the highest priority interrupt level, while level 1 is the lowest priority. The processor samples for active interrupt requests once per instruction by comparing the encoded priority level against a 3-bit interrupt mask value (I) contained in bits 10:8 of the machine’s status register (SR). If the priority level is greater than the SR[I] field at the sample point, the processor suspends normal instruction execution and initiates interrupt exception processing. Level 7 interrupts are treated as non-maskable and edge-sensitive within the processor, while levels 1-6 are treated as level-sensitive and may be masked depending on the value of the SR[I] field. For correct operation, the ColdFire requires that, once asserted, the interrupt source remain asserted until explicitly disabled by the interrupt service routine.

During the interrupt exception processing, the CPU enters supervisor mode, disables trace mode, and then fetches an 8-bit vector from the interrupt controller. This byte-sized operand fetch is known as the interrupt acknowledge (IACK) cycle, with the ColdFire implementation using a special encoding of the transfer type and transfer modifier attributes to distinguish this data fetch from a “normal” memory access. The fetched data provides an index into the exception vector table that contains 256 addresses, each pointing to the beginning of a specific exception service routine. In particular, vectors 64–255 of the exception vector table are reserved for user interrupt service routines. The first 64 exception vectors are reserved for the processor to handle reset, error conditions (access, address), arithmetic faults, system calls, etc.

Once the interrupt vector number has been retrieved, the processor continues by creating a stack frame in memory. For ColdFire, all exception stack frames are 2 longwords in length and contain 32 bits of vector

and status register data, along with the 32-bit program counter value of the instruction that was interrupted (see Section 3.8.1, “Exception Stack Frame Definition” for more information on the stack frame format).

After the exception stack frame is stored in memory, the processor accesses the 32-bit pointer from the exception vector table using the vector number as the offset, and then jumps to that address to begin execution of the service routine.

After the status register is stored in the exception stack frame, the SR[I] mask field is set to the level of the interrupt being acknowledged, effectively masking that level and all lower values while in the service routine. For many peripheral devices, the processing of the IACK cycle directly negates the interrupt request, while other devices require that request to be explicitly negated during the processing of the service routine.

For the MCF547x, the processing of the interrupt acknowledge cycle is fundamentally different than previous 68K/ColdFire cores. In the new approach, all IACK cycles are directly handled by the interrupt controller, so the requesting peripheral device is not accessed during the IACK. As a result, the interrupt request must be explicitly cleared in the peripheral during the interrupt service routine. For more information, see Section 13.1.1.1.3, “Interrupt Vector Determination.”

Unlike the M68000 family, all ColdFire processors guarantee that the first instruction of the service routine is executed before sampling for interrupts is resumed. By making this initial instruction a load of the SR, interrupts can be safely disabled, if required.

During the execution of the service routine, the appropriate actions must be performed on the peripheral to negate the interrupt request.

For more information on exception processing, see the *ColdFire Programmer’s Reference Manual* at <http://www.freescale.com/coldfire>

13.1.1.1 Interrupt Controller Theory of Operation

To support the interrupt architecture of the 68K/ColdFire programming model, the combined 63 interrupt sources are organized as 7 levels, with each level supporting up to nine prioritized requests. Consider the priority structure within a single interrupt level (from highest to lowest priority) as shown in Table 13-1.

Table 13-1. Interrupt Priority Within a Level

ICR[2:0]	Priority	Interrupt Sources
111	7 (Highest)	8-63
110	6	8-63
101	5	8-63
100	4	8-63
—	Fixed Midpoint Priority	1-7
011	3	8-63
010	2	8-63
001	1	8-63
000	0 (Lowest)	8-63

The level and priority is fully programmable for all sources except interrupt sources 1–7. Interrupt source 1–7 (the external interrupts) are fixed at the corresponding level’s midpoint priority. Thus, a maximum of

8 fully-programmable interrupt sources are mapped into a single interrupt level. The “fixed” interrupt source is hardwired to the given level and represents the mid-point of the priority within the level. For the fully-programmable interrupt sources, the 3-bit level and the 3-bit priority within the level are defined in the 8-bit interrupt control register (ICR n).

The operation of the interrupt controller can be broadly partitioned into three activities:

- Recognition
- Prioritization
- Vector determination during IACK

13.1.1.1.1 Interrupt Recognition

The interrupt controller continuously examines the request sources and the interrupt mask register to determine if there are active requests. This is the recognition phase.

13.1.1.1.2 Interrupt Prioritization

As an active request is detected, it is translated into the programmed interrupt level, and the resulting 7-bit decoded priority level (IRQ[7:1]) is driven out of the interrupt controller.

13.1.1.1.3 Interrupt Vector Determination

Once the core has sampled for pending interrupts and begun interrupt exception processing, it generates an interrupt acknowledge cycle (IACK). The IACK transfer is treated as a memory-mapped byte read by the processor and routed to the interrupt controller. Next, the interrupt controller extracts the level being acknowledged from address bits[4:2], determines the highest priority interrupt request active for that level, and returns the 8-bit interrupt vector for that request to complete the cycle. The 8-bit interrupt vector is formed using the following algorithm:

```
vector_number = 64 + interrupt source number
```

Recall vector numbers 0—63 are reserved for the ColdFire processor and its internal exceptions. Thus, the mapping of bit positions to vector numbers that apply are the following:

```
if interrupt source 1 is active and acknowledged,      then vector_number = 65
if interrupt source 2 is active and acknowledged,      then vector_number = 66
...
if interrupt source 8 is active and acknowledged,      then vector_number = 72
if interrupt source 9 is active and acknowledged,      then vector_number = 73
...
if interrupt source 63 is active and acknowledged,     then vector_number = 127
```

The net effect is a fixed mapping between the bit position within the source to the actual interrupt vector number.

If there is no active interrupt source for the given level, a special “spurious interrupt” vector (vector_number = 24) is returned, and it is the responsibility of the service routine to handle this error situation.

Note this protocol implies the interrupting peripheral is not accessed during the acknowledge cycle since the interrupt controller completely services the acknowledge. This means the interrupt source must be

explicitly cleared in the interrupt service routine. This design provides unique vector capability for all interrupt requests, regardless of the “complexity” of the peripheral device.

Vector number 64 is unused.

13.2 Memory Map/Register Descriptions

The register programming model for the interrupt controllers is memory-mapped to a 256-byte space. In the following discussion, there are a number of program-visible registers greater than 32 bits in size. For these control fields, the physical register is partitioned into two 32-bit values: a register “High” (the upper longword) and a register “Low” (the lower longword). The nomenclature <reg_name>H and <reg_name>L is used to reference these values.

The registers and their locations are defined in [Table 13-2](#).

Table 13-2. Interrupt Controller Memory Map

Address Offset	Name	Byte0	Byte1	Byte2	Byte3	Access
0x700	Interrupt Pending Register High [63:32]	IPRH				R
0x704	Interrupt Pending Register Low [31:0]	IPRL				R
0x708	Interrupt Mask Register High [63:32]	IMRH				R/W
0x70c	Interrupt Mask Register Low [31:0]	IMRL				R/W
0x710	Interrupt Force Register High [63:32]	INTFRCH				R/W
0x714	Interrupt Force Register Low [31:0]	INTFRCL				R
0x718	Interrupt Request Level Register and Interrupt Acknowledge Level and Priority Register	IRLR[7:1]	IACKLPR	Reserved		R
0x71C–0x73C	—	Reserved				—

Table 13-2. Interrupt Controller Memory Map (Continued)

Address Offset	Name	Byte0	Byte1	Byte2	Byte3	Access
0x740	Interrupt Control Registers	Reserved	ICR01	ICR02	ICR03	R
0x744		ICR04	ICR05	ICR06	ICR07	R
0x748		ICR08	ICR09	ICR10	ICR11	R/W
0x74c		ICR12	ICR13	ICR14	ICR15	R/W
0x750		ICR16	ICR17	ICR18	ICR19	R/W
0x754		ICR20	ICR21	ICR22	ICR23	R/W
0x758		ICR24	ICR25	ICR26	ICR27	R/W
0x75C		ICR28	ICR29	ICR30	ICR31	R/W
0x760		ICR32	ICR33	ICR34	ICR35	R/W
0x764		ICR36	ICR37	ICR38	ICR39	R/W
0x768		ICR40	ICR41	ICR42	ICR43	R/W
0x76C		ICR44	ICR45	ICR46	ICR47	R/W
0x770		ICR48	ICR49	ICR50	ICR51	R/W
0x774		ICR52	ICR53	ICR54	ICR55	R/W
0x778		ICR56	ICR57	ICR58	ICR59	R/W
0x77C		ICR60	ICR61	ICR62	ICR63	R/W
0x780-0x7DC	—	Reserved				—
0x7E0	Software IACK Register	SWIACK	Reserved			R
0x7E4	Level <i>N</i> IACK Registers	L1IACK	Reserved			R
0x7E8		L2IACK	Reserved			R
0x7EC		L3IACK	Reserved			R
0x7F0		L4IACK	Reserved			R
0x7F4		L5IACK	Reserved			R
0x7F8		L6IACK	Reserved			R
0x7FC		L7IACK	Reserved			R

13.2.1 Register Descriptions

13.2.1.1 Interrupt Pending Registers (IPRH, IPRL)

The IPRH and IPRL registers, [Figure 13-1](#) and [Figure 13-2](#), are each 32 bits in size and provide a bit map for each interrupt request to indicate if there is an active request for the given source (1 = active request, 0 = no request). The state of the interrupt mask register does not affect the IPR. The IPR is cleared by reset. The IPR is a read-only register, so any attempted write to this register is ignored. Bit 0 is not implemented and reads as a zero.

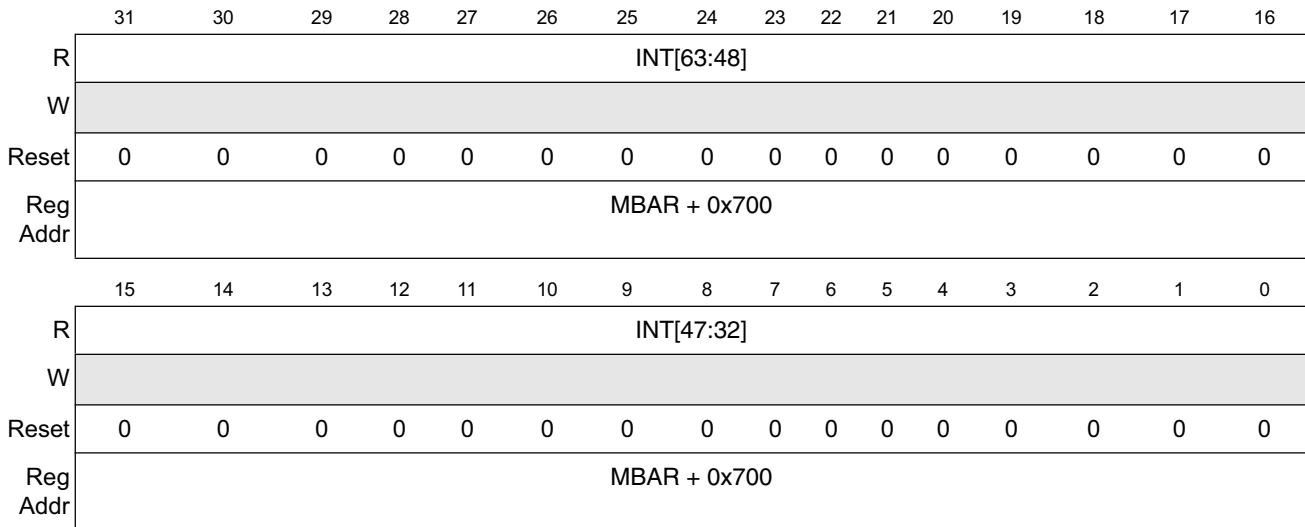


Figure 13-1. Interrupt Pending Register High (IPRH)

Table 13-3. IPRH Field Descriptions

Bits	Name	Description
31–0	INT[63:32]	<p>Interrupt pending. Each bit corresponds to an interrupt source. The corresponding IMRH bit determines whether an interrupt condition can generate an interrupt. At every system clock, the IPRH samples the signal generated by the interrupting source. The corresponding IPRH bit reflects the state of the interrupt signal even if the corresponding IMRH bit is set.</p> <p>0 The corresponding interrupt source does not have an interrupt pending 1 The corresponding interrupt source has an interrupt pending</p>

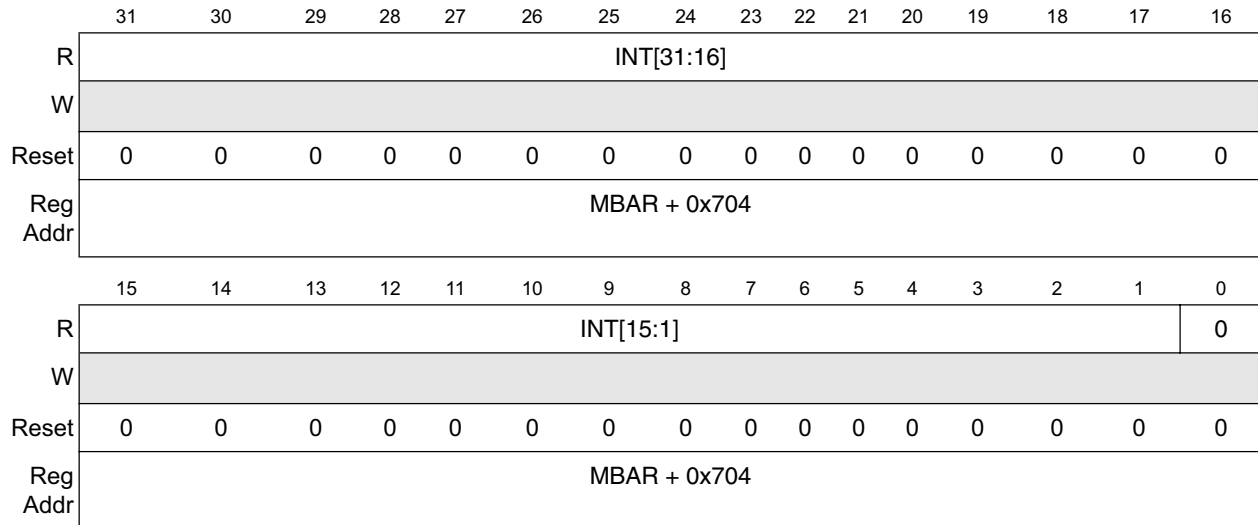


Figure 13-2. Interrupt Pending Register Low (IPRL)

Table 13-4. IPRL Field Descriptions

Bits	Name	Description
31–1	INT[31:1]	Interrupt Pending. Each bit corresponds to an interrupt source. The corresponding IMRL bit determines whether an interrupt condition can generate an interrupt. At every system clock, the IPRL samples the signal generated by the interrupting source. The corresponding IPRL bit reflects the state of the interrupt signal even if the corresponding IMRL bit is set. 0 The corresponding interrupt source does not have an interrupt pending 1 The corresponding interrupt source has an interrupt pending
0	—	Reserved, should be cleared.

13.2.1.2 Interrupt Mask Register (IMRH, IMRL)

The IMRH and IMRL registers are each 32 bits in size and provide a bit map for each interrupt to allow the request to be disabled (1 = disable the request, 0 = enable the request). The IMR is set to all ones by reset, disabling all interrupt requests. The IMR can be read and written. A write that sets bit 0 of the IMR forces the other 63 bits to be set, disabling all interrupt sources and providing a global mask-all capability.

NOTE

If an interrupt source is masked in the interrupt controller mask register (IMR) or a module's interrupt mask register while the interrupt mask in the status register (SR[I]) is set to a value lower than the interrupt's level, a spurious interrupt may occur. This situation occurs because by the time the status register acknowledges the interrupt, it has been masked and the CPU cannot determine the interrupt source. To avoid this situation for interrupt sources with levels 1–6, first write a higher level interrupt mask to the status register before setting the mask in the IMR or the module's interrupt mask register. After the mask is set, return the interrupt mask in the status register to its previous value. Since level 7 interrupts cannot be disabled in the status register prior to masking, use of the IMR or module interrupt mask registers to disable level 7 interrupts is not recommended.

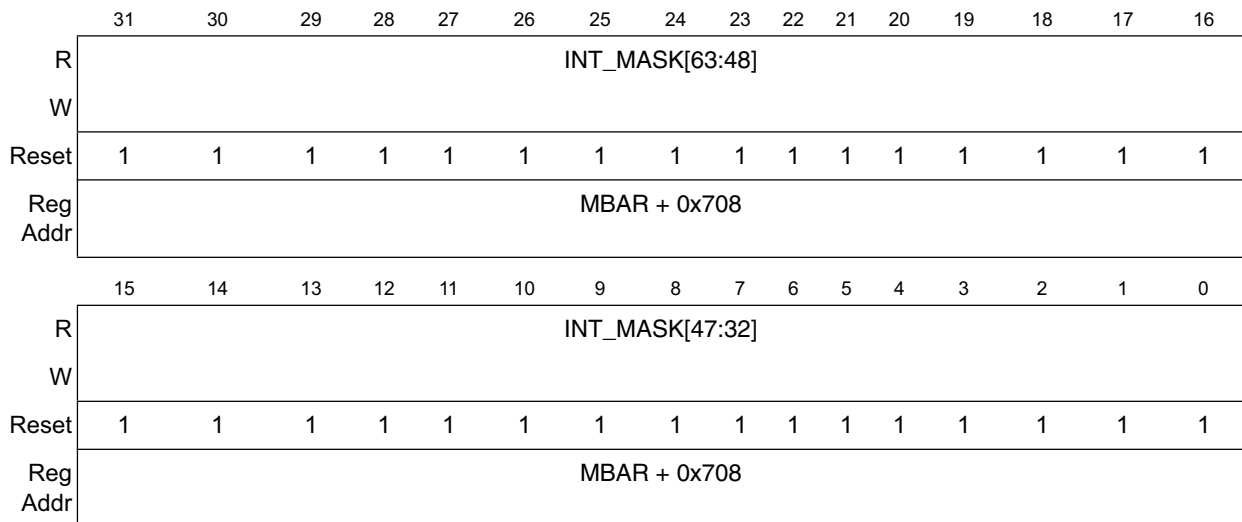


Figure 13-3. Interrupt Mask Register High (IMRH)

Table 13-5. IMRH Field Descriptions

Bits	Name	Description
31–0	INT_MASK	Interrupt mask. Each bit corresponds to an interrupt source. The corresponding IMRH bit determines whether an interrupt condition can generate an interrupt. The corresponding IPRH bit reflects the state of the interrupt signal even if the corresponding IMRH bit is set. 0 The corresponding interrupt source is not masked 1 The corresponding interrupt source is masked

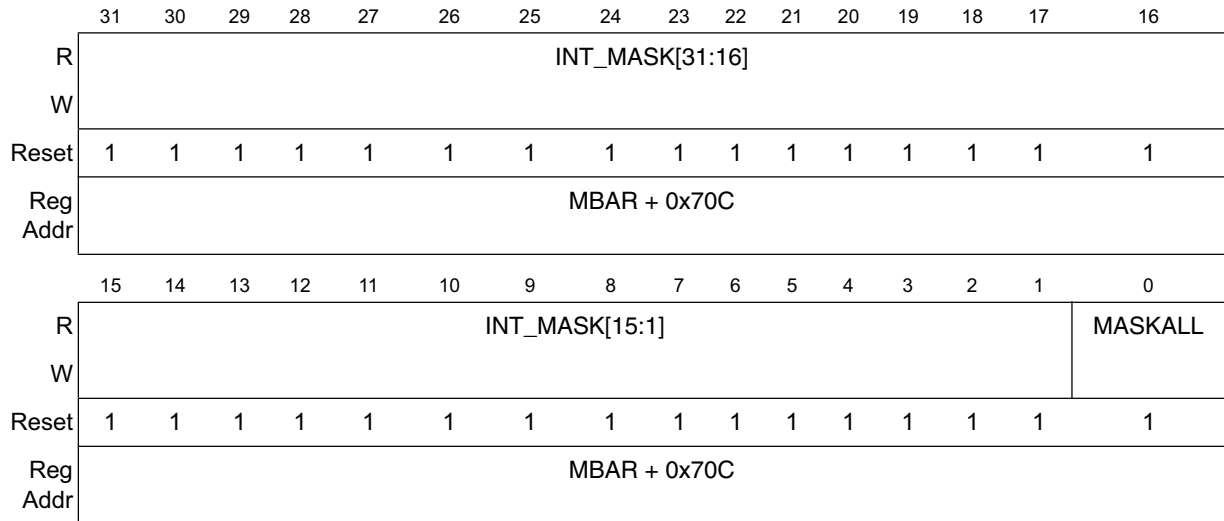


Figure 13-4. Interrupt Mask Register Low (IMRL)

Table 13-6. IMRL Field Descriptions

Bits	Name	Description
31–1	INT_MASK	Interrupt mask. Each bit corresponds to an interrupt source. The corresponding IMRL bit determines whether an interrupt condition can generate an interrupt. The corresponding IPRL bit reflects the state of the interrupt signal even if the corresponding IMRL bit is set. 0 The corresponding interrupt source is not masked 1 The corresponding interrupt source is masked
0	MASKALL	Mask all interrupts. Setting this bit will force the other 63 bits of the IMRH and IMRL to ones, disabling all interrupt sources, and providing a global mask-all capability.

13.2.1.3 Interrupt Force Registers (INTFRCH, INTFRCL)

The INTFRCH and INTFRCL registers are each 32 bits in size and provide a mechanism to allow software generation of interrupts for each possible source for functional or debug purposes. The system design may reserve one or more sources to allow software to self-schedule interrupts by forcing one or more of these bits in the appropriate INTFRC register (1 = force request, 0 = negate request). The assertion of an interrupt request via the INTFRC register is not affected by the interrupt mask register. The INTFRC register is cleared by reset.

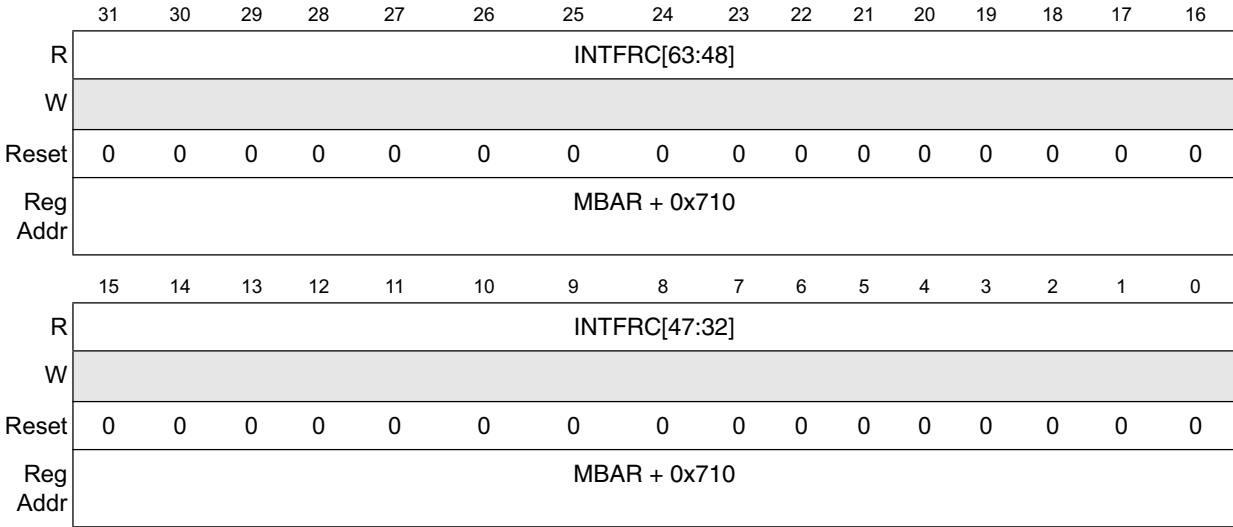


Figure 13-5. Interrupt Force Register High (INTFRCH)

Table 13-7. INTFRCH Field Descriptions

Bits	Name	Description
31–0	INTFRC	Interrupt force. Allows software generation of interrupts for each possible source for functional or debug purposes. 0 No interrupt forced on corresponding interrupt source 1 Force an interrupt on the corresponding source

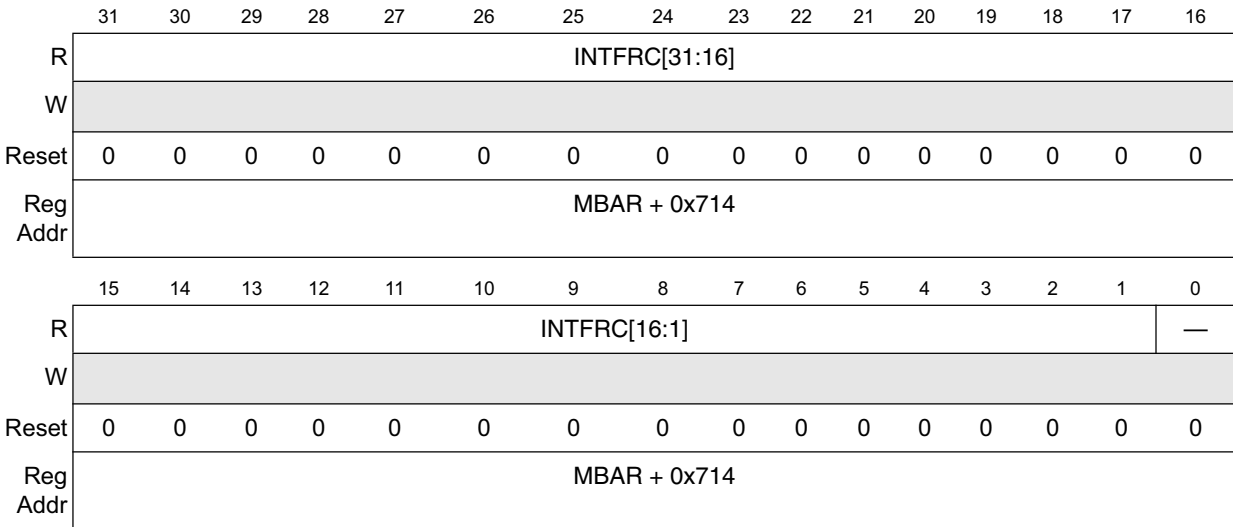


Figure 13-6. Interrupt Force Register Low (INTFRCL)

Table 13-8. INTFRC Field Descriptions

Bits	Name	Description
31–1	INTFRC	Interrupt force. Allows software generation of interrupts for each possible source for functional or debug purposes. 0 No interrupt forced on corresponding interrupt source 1 Force an interrupt on the corresponding source
0	—	Reserved, should be cleared.

13.2.1.4 Interrupt Request Level Register (IRLR)

This 7-bit register is updated each machine cycle and represents the current interrupt requests for each interrupt level, where bit 7 corresponds to level 7, bit 6 to level 6, etc.

	7	6	5	4	3	2	1	0
R	IRQ							0
W								
Reset	0	0	0	0	0	0	0	0
Reg Addr	MBAR + 0x718							

Figure 13-7. Interrupt Request Level Register (IRLR)

Table 13-9. IRQ_n Field Descriptions

Bits	Name	Description
7–1	IRQ	Interrupt requests. Represents the prioritized active interrupts for each level. 0 There are no active interrupts at this level 1 There is an active interrupt at this level
0	—	Reserved

13.2.1.5 Interrupt Acknowledge Level and Priority Register (IACKLPR)

Each time an IACK is performed, the interrupt controller responds with the vector number of the highest priority source within the level being acknowledged. In addition to providing the vector number directly for the byte-sized IACK read, this 8-bit register is also loaded with information about the interrupt level and priority being acknowledged. This register provides the association between the acknowledged “physical” interrupt request number and the programmed interrupt level/priority. The contents of this read-only register are described in [Figure 13-8](#) and [Table 13-10](#).

	7	6	5	4	3	2	1	0
R	—	LEVEL			PRI			
W								
Reset	0	0	0	0	0	0	0	0
Reg Addr	MBAR + 0x719							

Figure 13-8. IACK Level and Priority Register (IACKLPR)

Table 13-10. IACKLPR Field Descriptions

Bits	Name	Description
7	—	Reserved
6–4	LEVEL	Interrupt level. Represents the interrupt level currently being acknowledged.
3–0	PRI	Interrupt Priority. Represents the priority within the interrupt level of the interrupt currently being acknowledged. 0 Priority 0 1 Priority 1 2 Priority 2 3 Priority 3 4 Priority 4 5 Priority 5 6 Priority 6 7 Priority 7 8 Mid-Point Priority associated with the fixed level interrupts only

13.2.1.6 Interrupt Control Registers 1–63 (ICR_n)

Each ICR_n specifies the interrupt level (1–7) and the priority within the level (0–7). All ICR_n registers can be read, but only ICR8 to ICR63 can be written. It is software’s responsibility to program the ICR_n registers with unique and non-overlapping level and priority definitions. Failure to program the ICR_n registers in this matter can result in undefined behavior. If a specific interrupt request is completely unused, the ICR_n value can remain in its reset (and disabled) state.

	7	6	5	4	3	2	1	0
R	0	0	IL			IP		
W								
Reset	0	0	0	0	0	0	0	0
Reg Addr	See Table 13-2 for register offsets							

Figure 13-9. Interrupt Control Registers 1–63 (ICR_n)

Table 13-11. ICR_n Field Descriptions

Bits	Name	Description
7–6	—	Reserved, should be cleared.
5–3	IL	Interrupt level. Indicates the interrupt level assigned to each interrupt input.
2–0	IP	Interrupt priority. Indicates the interrupt priority for internal modules within the interrupt-level assignment. 000b represents the lowest priority and 111b represents the highest. For the fixed level interrupt sources, the priority is fixed at the midpoint for the level, and the IP field will always read as 000b.

13.2.1.6.1 Interrupt Sources

Table 13-12 lists the interrupt sources for each interrupt request line

Table 13-12. Interrupt Source Assignments

Source	Module	Flag	Source Description	Flag Clearing Mechanism
1	EPOR T	EPF1	Edge port flag 1	Write '1' to EPFR[EPF1]
2		EPF2	Edge port flag 2	Write '1' to EPFR[EPF2]
3		EPF3	Edge port flag 3	Write '1' to EPFR[EPF3]
4		EPF4	Edge port flag 4	Write '1' to EPFR[EPF4]
5		EPF5	Edge port flag 5	Write '1' to EPFR[EPF5]
6		EPF6	Edge port flag 6	Write '1' to EPFR[EPF6]
7		EPF7	Edge port flag 7	Write '1' to EPFR[EPF7]
8–14	Not used			
15	USB 2.0	EP0ISR	Endpoint 0 interrupt	Write '1' to appropriate bit in EP0ISR
16		EP1ISR	Endpoint 1 interrupt	Write '1' to appropriate bit in EP1ISR
17		EP2ISR	Endpoint 2 interrupt	Write '1' to appropriate bit in EP2ISR
18		EP3ISR	Endpoint 3 interrupt	Write '1' to appropriate bit in EP3ISR
19		EP4ISR	Endpoint 4 interrupt	Write '1' to appropriate bit in EP4ISR
20		EP5ISR	Endpoint 5 interrupt	Write '1' to appropriate bit in EP5ISR
21		EP6ISR	Endpoint 6 interrupt	Write '1' to appropriate bit in EP6ISR
22		USBISR	USB 2.0 general interrupt	Write '1' to appropriate bit in USBISR
23		USBISR	USB 2.0 core interrupt	Write '0' to appropriate bit in USBISR
24		—	OR of all USB interrupts	Clear appropriate USB interrupt(s)

Table 13-12. Interrupt Source Assignments (Continued)

Source	Module	Flag	Source Description	Flag Clearing Mechanism
25	DSPI	RFOF TFUF	DSPI overflow or underflow	Write '1' to DSR[RDFD] and/or DSR[TFUF]
26		RFOF	Receive FIFO overflow interrupt	Write '1' to DSR[RFOF]
27		RFDF	Receive FIFO drain interrupt	Write '1' to DSR[RFDF] or DMA acknowledge
28		TFUF	Transmit FIFO underflow interrupt	Write '1' to DSR[TFUF]
29		TCF	Transfer complete interrupt	Write '1' to DSR[TCF]
30		TFFF	Transfer FIFO fill interrupt	Write '1' to DSR[TFFF] or DMA acknowledge
31		EOQF	End of queue interrupt	Write '1' to DSR[EOQF]
32	PSC3	—	PSC3 interrupt	Cleared when service complete
33	PSC2	—	PSC2 interrupt	Cleared when service complete
34	PSC1	—	PSC1 interrupt	Cleared when service complete
35	PSC0	—	PSC0 interrupt	Cleared when service complete
36	Comm Tim	TC	Combined interrupts from comm timers	Write '1' to CTCR n [I]
37	SEC	—	SEC interrupt	Service interrupt and write '1' to SICR
38	FEC1	—	FEC1 interrupt	Write appropriate interrupt condition bit = 1
39	FEC0	—	FEC0 interrupt	Write appropriate interrupt condition bit = 1
40	I2C	—	I2C interrupt	Write IIF = 0
41	PCIARB	—	PCI arbiter interrupt	Write '1' to PASR[EXTMBK] or PASR[ITLMBK]
42	CBPCI	—	Comm bus PCI interrupt	Clear FIFO alarm condition
43	XLBPCI	—	XLB PCI interrupt	Write '1' to appropriate PCIISR bit(s)
44–46	Not used			
47	XLBARB	—	XLBARB to CPU interrupt	Write '1' to appropriate ARB_SR bit(s)
48	DMA	—	Multichannel DMA interrupt	Write '1' to DIPR[TASK n]
49-52	Not used			
53	Slice Timer	SLT1	Slice timer 1 interrupt	Write ST = 1
54		SLT0	Slice timer 0 interrupt	Write ST = 1
55-58	Not used			

Table 13-12. Interrupt Source Assignments (Continued)

Source	Module	Flag	Source Description	Flag Clearing Mechanism
59	GPTs	GPT3	GPT3 interrupt	Write '1' to appropriate GSR bit
60		GPT2	GPT2 interrupt	Write '1' to appropriate GSR bit
61		GPT1	GPT1 interrupt	Write '1' to appropriate GSR bit
62		GPT0	GPT0 interrupt	Write '1' to appropriate GSR bit
63	Not used			

13.2.1.7 Software and Level n IACK Registers (SWIACKR, L1IACK–L7IACK)

The eight IACK registers can be explicitly addressed via the CPU, or implicitly addressed via a processor-generated interrupt acknowledge cycle during exception processing. In either case, the interrupt controller's actions are very similar.

First, consider an IACK cycle to a specific level: that is, a level- n IACK. When this type of IACK arrives in the interrupt controller, the controller examines all the currently-active level- n interrupt requests, determines the highest priority within the level, and then responds with the unique vector number corresponding to that specific interrupt source. The vector number is supplied as the data for the byte-sized IACK read cycle. In addition to providing the vector number, the interrupt controller also loads the level and priority number for the level into the IACKLPR, where it may be retrieved later.

This interrupt controller design also supports the concept of a software IACK. A software IACK is a useful concept that allows an interrupt service routine to determine if there are other pending interrupts, so that the overhead associated with interrupt exception processing (including machine state save/restore functions) can be minimized. In general, the software IACK is performed near the end of an interrupt service routine, and if there are additional active interrupt sources, the current interrupt service routine (ISR) passes control to the appropriate service routine, but without taking another interrupt exception.

When the interrupt controller receives a software IACK read, it returns the vector number associated with the highest level, highest priority unmasked interrupt source for that interrupt controller. The IACKLPR is also loaded as the software IACK is performed. If there are no active sources, the interrupt controller returns an all-zero vector as the operand. For this situation, the IACKLPR is also cleared.

In addition to the software IACK registers within each interrupt controller, there are global software IACK registers. A read from the global SWIACK will return the vector number for the highest level and priority unmasked interrupt source from all interrupt controllers. A read from one of the L_n IACK registers will return the vector for the highest priority unmasked interrupt within a level for all interrupt controllers.

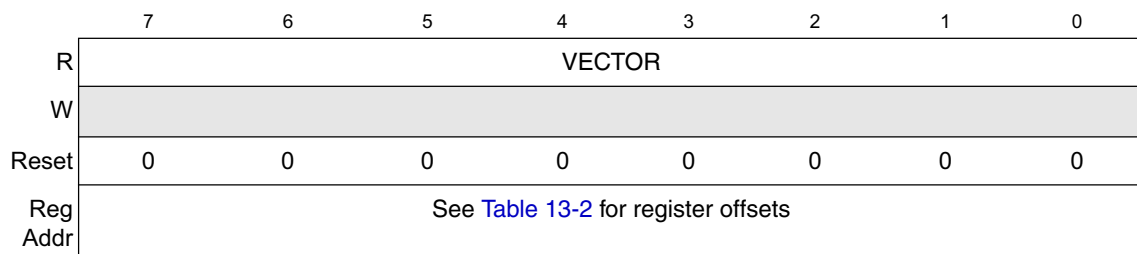
Figure 13-10. Software and Level n IACK Registers (SWIACKR, L1IACK–L7IACK)

Table 13-13. SWIACK and L1IACK–L7IACK Field Descriptions

Bits	Name	Description
7–0	VECTOR	Vector number. A read from the SWIACK register returns the vector number associated with the highest level, highest priority unmasked interrupt source. A read from one of the LnACK registers returns the highest priority unmasked interrupt source within the level.

Chapter 14

Edge Port Module (EPORT)

14.1 Introduction

The edge port module (EPORT) has seven external interrupt pins, $\overline{IRQ}[7:1]$. Each pin can be configured individually as a level-sensitive interrupt pin, an edge-detecting interrupt pin (rising edge, falling edge, or both), or a general-purpose input/output (I/O) pin. See Figure 14-1.

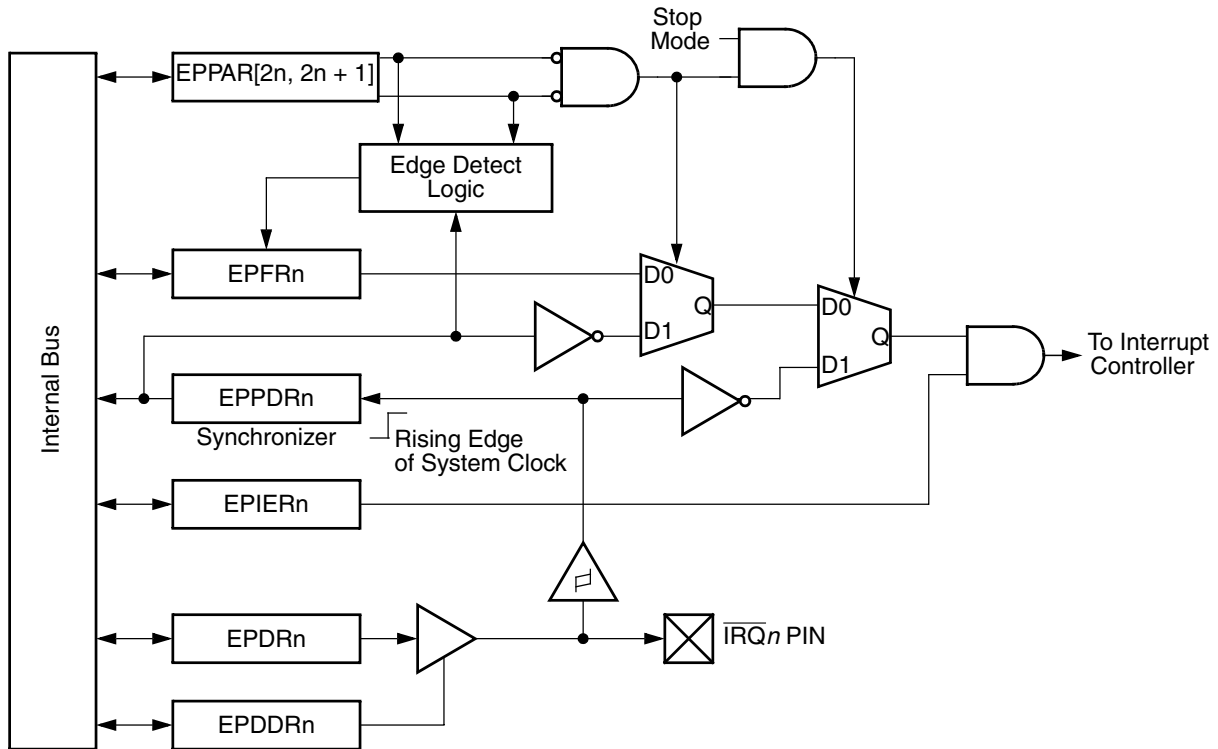


Figure 14-1. EPORT Block Diagram

14.2 Interrupt/General-Purpose I/O Pin Descriptions

All interrupt pins default to general-purpose input pins at reset. The pin value is synchronized to the rising edge of the internal clock when read from the EPORT pin data register (EPPDR). The values used in the edge/level detect logic are also synchronized to the rising edge of the internal clock. These pins use Schmitt-triggered input buffers which have built-in hysteresis that decrease the probability of generating false edge-triggered interrupts for slow rising and falling input signals.

When a pin is configured as an output, it is driven to a state whose level is determined by the corresponding bit in the EPORT data register (EPDR). All bits in the EPDR are high at reset.

NOTE

The GPIO functionality of the external interrupt pins is controlled by the EPORT module. However, some external interrupt signals are muxed with other functions. In this case, the pin's IRQ functionality must be enabled in the GPIO module's pin assignment register in order to use the pin's GPIO function via the EPORT registers. For more information, refer to Chapter 8, "GPIO."

14.3 Memory Map/Register Definition

This subsection describes the memory map and register structure.

14.3.1 Memory Map

Refer to [Table 14-1](#) for a description of the EPORT memory map. The EPORT has an MBAR offset for base address of 0xF00.

Table 14-1. Edge Port Module Memory Map

MBAR Offset	Name	Byte0	Byte1	Byte2	Byte3	Access ¹
0xF00	EPORT pin assignment register	EPPAR		— ²		S
0xF04	EPORT data direction register EPORT interrupt enable register	EPDDR	EPIER	— ²		S/U
0xF08	EPORT data register EPORT pin data register	EPDR	EPPDR	— ²		
0xF0C	EPORT flag register	EPFR	— ²			

¹ S = CPU supervisor mode access only. S/U = CPU supervisor or user mode access. User mode accesses to supervisor only addresses have no effect and result in a cycle termination transfer error.

² Writing to reserved address locations has no effect, and reading returns 0s.

14.3.2 Register Descriptions

The EPORT programming model consists of these registers:

- The EPORT pin assignment register (EPPAR) controls the function of each pin individually.
- The EPORT data direction register (EPDDR) controls the direction of each pin individually.
- The EPORT interrupt enable register (EPIER) enables interrupt requests for each pin individually.
- The EPORT data register (EPDR) holds the data to be driven to the pins.
- The EPORT pin data register (EPPDR) reflects the current state of the pins.
- The EPORT flag register (EPFR) individually latches EPORT edge events.

14.3.2.1 EPORT Pin Assignment Register (EPPAR)

	15	14	13	12	11	10	9	8	7	6	5	4	3	2	1	0
R	EPPA7		EPPA6		EPPA5		EPPA4		EPPA3		EPPA2		EPPA1		0	0
W																
Reset	0	0	0	0	0	0	0	0	0	0	0	0	0	0	0	0
Reg Addr	MBAR + 0xF00															

Figure 14-2. EPORT Pin Assignment Register (EPPAR)

Table 14-2. EPPAR Field Descriptions

Bits	Name	Description
15–2	EPPA n	<p>EPORT pin assignment select fields. The read/write EPPAn fields configure EPORT pins for level detection and rising and/or falling edge detection.</p> <p>Pins configured as level-sensitive are inverted so that a logic 0 on the external pin represents a valid interrupt request. Level-sensitive interrupt inputs are not latched. To guarantee that a level-sensitive interrupt request is acknowledged, the interrupt source must keep the signal asserted until acknowledged by software. Level sensitivity must be selected to bring the device out of stop mode with an $\overline{IRQ}n$ interrupt.</p> <p>Pins configured as edge-triggered are latched and need not remain asserted for interrupt generation. A pin configured for edge detection can trigger an interrupt regardless of its configuration as input or output.</p> <p>Interrupt requests generated in the EPORT module can be masked by the interrupt controller module. EPPAR functionality is independent of the selected pin direction.</p> <p>Reset clears the EPPAn fields.</p> <p>00 Pin $\overline{IRQ}n$ level-sensitive 01 Pin $\overline{IRQ}n$ rising edge triggered 10 Pin $\overline{IRQ}n$ falling edge triggered 11 Pin $\overline{IRQ}n$ both falling edge and rising edge triggered</p>
1–0	—	Reserved, should be cleared.

14.3.2.2 EPORT Data Direction Register (EPDDR)

	7	6	5	4	3	2	1	0
R	EPDD7	EPDD6	EPDD5	EPDD4	EPDD3	EPDD2	EPDD1	0
W								
Reset	0	0	0	0	0	0	0	0
Reg Addr	MBAR + 0xF04							

Figure 14-3. EPORT Data Direction Register (EPDDR)

Table 14-3. EPDDR Field Descriptions

Bits	Name	Description
7–1	EPDD <i>n</i>	Setting any bit in the EPDDR configures the corresponding pin as an output. Clearing any bit in EPDDR configures the corresponding pin as an input. Pin direction is independent of the level/edge detection configuration. Reset clears EPDD7–EPDD1. To use an EPORT pin as an external interrupt request source, its corresponding bit in EPDDR must be clear. Software can generate interrupt requests by programming the EPORT data register when the EPDDR selects output. 0 Corresponding EPORT pin configured as input 1 Corresponding EPORT pin configured as output
0	—	Reserved, should be cleared.

14.3.2.3 Edge Port Interrupt Enable Register (EPIER)

	7	6	5	4	3	2	1	0
R	EPIE7	EPIE6	EPIE5	EPIE4	EPIE3	EPIE2	EPIE1	0
W								
Reset	0	0	0	0	0	0	0	0
Reg Addr	MBAR + 0xF05							

Figure 14-4. EPORT Port Interrupt Enable Register (EPIER)

Table 14-4. EPIER Field Descriptions

Bits	Name	Description
7–1	EPIE <i>n</i>	Edge port interrupt enable bits enable EPORT interrupt requests. If a bit in EPIER is set, EPORT generates an interrupt request when: <ul style="list-style-type: none"> The corresponding bit in the EPORT flag register (EPFR) is set or later becomes set. The corresponding pin level is low and the pin is configured for level-sensitive operation. Clearing a bit in EPIER negates any interrupt request from the corresponding EPORT pin. Reset clears EPIE7–EPIE1. 0 Interrupt requests from corresponding EPORT pin disabled 1 Interrupt requests from corresponding EPORT pin enabled
0	—	Reserved, should be cleared.

14.3.2.4 Edge Port Data Register (EPDR)

	7	6	5	4	3	2	1	0
R	EPD7	EPD6	EPD5	EPD4	EPD3	EPD2	EPD1	0
W								
Reset	1	1	1	1	1	1	1	1
Reg Addr	MBAR + 0xF08							

Figure 14-5. EPORT Port Data Register (EPDR)

Table 14-5. EPDR Field Descriptions

Bits	Name	Description
7–1	EPDx	Edge port data bits. Data written to EPDR is stored in an internal register; if any pin of the port is configured as an output, the bit stored for that pin is driven onto the pin. Reading EPDR returns the data stored in the register. Reset sets EPD7-EPD1.
0	—	Reserved, should be cleared.

14.3.2.5 Edge Port Pin Data Register (EPPDR)

	7	6	5	4	3	2	1	0
R	EPPD7	EPPD6	EPPD5	EPPD4	EPPD3	EPPD2	EPPD1	0
W								
Reset	Current pin state							0
Reg Addr	MBAR + 0xF09							

Figure 14-6. EPOR Port Pin Data Register (EPPDR)

Table 14-6. EPPDR Field Descriptions

Bits	Name	Description
7–1	EPPDx	Edge port pin data bits. The read-only EPPDR reflects the current state of the EPOR pins $\overline{IRQ7}$ – $\overline{IRQ1}$. Writing to EPPDR has no effect, and the write cycle terminates normally. Reset does not affect EPPDR.
0	—	Reserved, should be cleared.

14.3.2.6 Edge Port Flag Register (EPFR)

	7	6	5	4	3	2	1	0
R	EPF7	EPF6	EPF5	EPF4	EPF3	EPF2	EPF1	0
W								
Reset	0	0	0	0	0	0	0	0
Reg Addr	MBAR + 0xF0C							

Figure 14-7. EPOR Port Flag Register (EPFR)

Table 14-7. EPFR Field Descriptions

Bits	Name	Description
7-1	EPF n	<p>Edge port flag bits. When an EPORT pin is configured for edge triggering, its corresponding read/write bit in EPFR indicates that the selected edge has been detected. Reset clears EPF7-EPF1.</p> <p>Bits in this register are set when the selected edge is detected on the corresponding pin. A bit remains set until cleared by writing a 1 to it. Writing 0 has no effect. If a pin is configured as level-sensitive (EPPARn = 00), pin transitions do not affect this register.</p> <p>0 Selected edge for $\overline{\text{IRQ}}_x$ pin has not been detected. 1 Selected edge for $\overline{\text{IRQ}}_x$ pin has been detected.</p>
0	—	Reserved, should be cleared.

Chapter 15

GPIO

15.1 Introduction

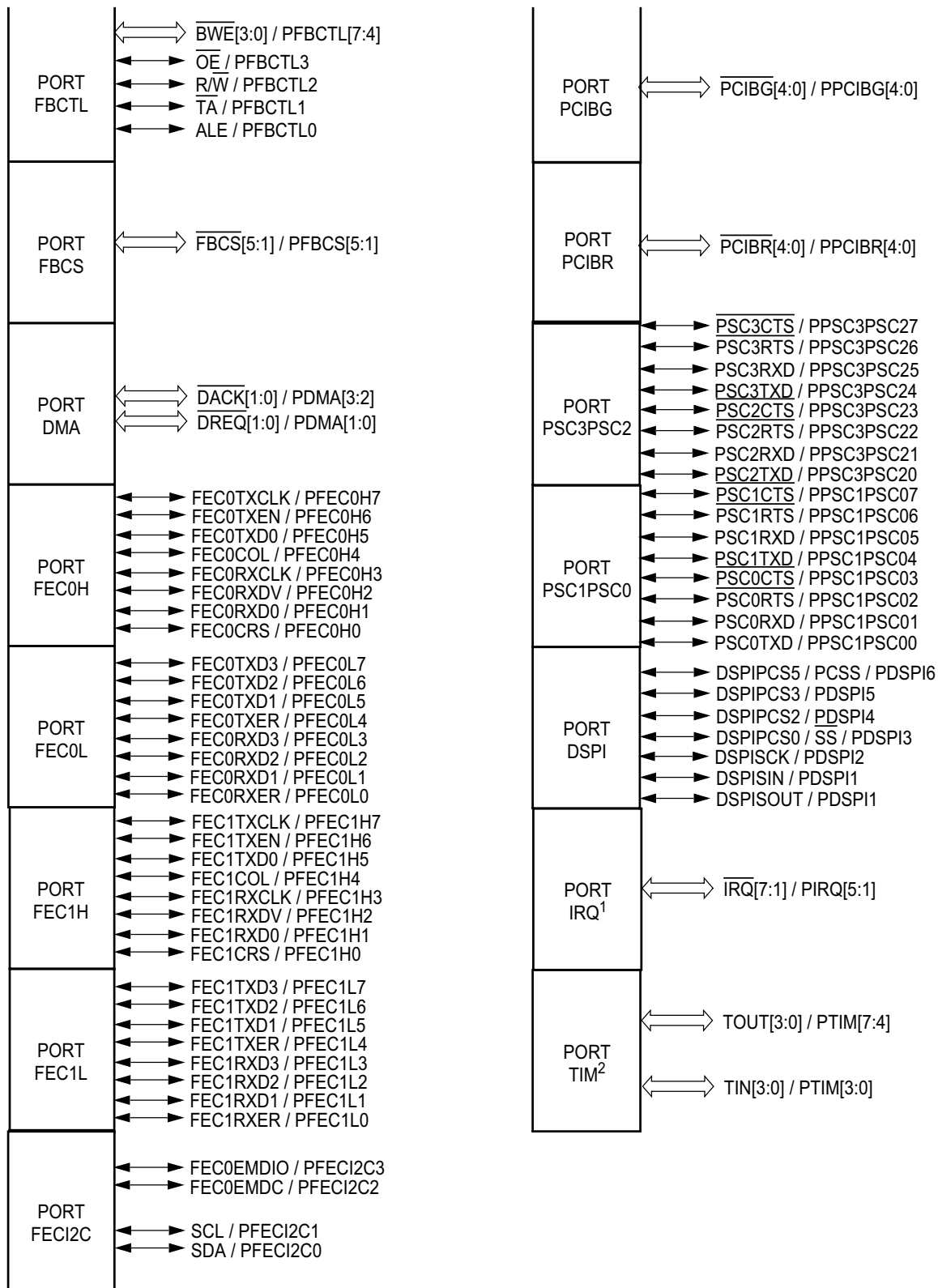
Many of the MCF547x pins whose primary function is to serve as the external interface to off-chip resources may also be used for general-purpose digital I/O (GPIO) access and for one or two secondary functions. When used for GPIO purposes, the port *x* pins (P*XXX*) indicate which port is being accessed. In some cases, the pin function is set by the operating mode, and the alternate pin functions are not supported.

The MCF547x GPIO signals are grouped into 8-bit ports; however, some ports do not use all eight bits. Each GPIO port has registers that configure, monitor, and control the port signals.

[Figure 15-1](#) is a block diagram of the MCF547x GPIO module.

NOTE

The actual signals and functions available vary for different members of the MCF547x family. See Chapter 2, “Signal Descriptions,” for more details.



¹ The port IRQ GPIO functionality is provided through the EPORT module.

² The port TIM GPIO functionality is provided through the GPT module.

Figure 15-1. MCF547X GPIO Module Block Diagram

15.1.1 Overview

The MCF547x GPIO module controls the configuration and use for the following external GPIO ports (register types in parentheses):

- ColdFire bus (FlexBus) accesses (FBCTL, FBCTL)
- External DMA request and acknowledge (DMA)
- PCI bus access (PCIGNT, PCIREQ)
- Ethernet data and control (FEC0H, FEC0L, FEC1H, FEC1L, FECI2C)
- I²C serial control (FECI2C)
- DMA serial peripheral interface (DSPI)
- Programmable serial control (PSC1PSC0 and PSC3PSC2)

15.1.2 Features

The MCF547x GPIO module includes these distinctive features:

- Control of primary function use of the supported GPIO ports indicated in Section 15.1.1
- General purpose I/O support for all ports:
 - Registers for storing output pin data
 - Registers for controlling pin data direction
 - Registers for reading current pin state
 - Registers for setting and clearing output pin data registers

15.2 External Pin Description

The MCF547x GPIO module controls the functionality of several external pins. These pins are listed in [Table 15-1](#).

Table 15-1. MCF547x GPIO Module External Pins

Primary Function (Pin Name) ¹	GPIO	Alternate Function 1	Alternate Function 2	Description
Flexbus Control				
$\overline{BWE}[3:2]$	PFBCTL[7:6]	$\overline{BE} / \overline{BWE}[3:2]$	TSIZ[1:0]	Byte write strobes for external data transfer / Port FBCTL[7:4] / Byte enables for external data transfer / FlexBus transfer size
$\overline{BWE}[1:0]$	PFBCTL[5:4]	$\overline{BE} / \overline{BWE}[1:0]$	FBADDR[1:0]	Byte write strobes for external data transfer / Port FBCTL[7:4] / Byte enables for external data transfer / FlexBus address[1:0]
\overline{OE}	PFBCTL3	—	—	Output enable for external reads / Port FBCTL3
R/W	PFBCTL2	\overline{TBST}	—	Read/write indication for external data transfer / Port FBCTL2 / FlexBus transfer burst
\overline{TA}	PFBCTL1	—	—	Transfer acknowledge for external data transfer / Port FBCTL1
ALE	PFBCTL0	\overline{TBST}	—	Address latch enable indication for external data transfer / Port FBCTL0 / FlexBus transfer burst

Table 15-1. MCF547x GPIO Module External Pins (Continued)

Primary Function (Pin Name) ¹	GPIO	Alternate Function 1	Alternate Function 2	Description
Flexbus Chip Selects				
$\overline{\text{FBCS}}[5:1]$	PFBCS[5:1]	—	—	Flexbus chip selects 5 – 1 / Port FBCS[5:4]
DMA Controller				
$\overline{\text{DACK}}1$	PDMA3	TOUT1	—	DMA acknowledge 1 / Port DMA3 / GP timer output 1
$\overline{\text{DACK}}0$	PDMA2	TOUT0	—	DMA acknowledge 0 / Port DMA2 / GP timer output 0
$\overline{\text{DREQ}}1$	PDMA1	TIN1	$\overline{\text{IRQ}}1$	DMA request 1 / Port DMA1 / GP timer input 1 / Interrupt 1
$\overline{\text{DREQ}}0$	PDMA0	TIN0	—	DMA request 0 / Port DMA0 / GP timer input 0
Fast Ethernet Controller 0				
FEC0TXCLK	PFEC0H7	—	—	Ethernet Controller 0 transmit clock / Port FEC0H7
FEC0TXEN	PFEC0H6	—	—	Ethernet Controller 0 transmit enable / PFEC0H6
FEC0TXD0	PFEC0H5	—	—	Ethernet Controller 0 transmit data 0 / Port FEC0H5
FEC0COL	PFEC0H4	—	—	Ethernet Controller 0 collision / Port FEC0H4
FEC0RXCLK	PFEC0H3	—	—	Ethernet Controller 0 receive clock / Port FEC0H3
FEC0RXDV	PFEC0H2	—	—	Ethernet Controller 0 receive data valid / Port FEC0H2
FEC0RXD0	PFEC0H1	—	—	Ethernet Controller 0 receive data 0 / Port FEC0H1
FEC0CRS	PFEC0H0	—	—	Ethernet Controller 0 carrier receive sense / Port FEC0H0
FEC0TXD[3:1]	PFEC0L[7:5]	—	—	Ethernet Controller 0 transmit data / Port FEC0L[7:5]
FEC0TXER	PFEC0L4	—	—	Ethernet Controller 0 transmit error / Port FEC0L4
FEC0RXD[3:1]	PFEC0L[3:1]	—	—	Ethernet Controller 0 receive data [3:1] / Port FEC0L[3:1]
FEC0RXER	PFEC0L0	—	—	Ethernet Controller 0 receive error / Port FEC0L0
FEC0MDIO	PFECI2C3	—	—	Ethernet Controller 0 management data control / Port FECI2C3
FEC0MDC	PFECI2C2	—	—	Ethernet Controller 0 management data clock / Port FECI2C2
Fast Ethernet Controller 1				

Table 15-1. MCF547x GPIO Module External Pins (Continued)

Primary Function (Pin Name) ¹	GPIO	Alternate Function 1	Alternate Function 2	Description
FEC1TXCLK	PFEC1H7	—	—	Ethernet Controller 1 transmit clock / Port FEC1H7
FEC1TXEN	PFEC1H6	—	—	Ethernet Controller 1 transmit enable / Port FEC1H6
FEC1TXD0	PFEC1H5	—	—	Ethernet Controller 1 transmit data 0 / Port FEC1H5
FEC1COL	PFEC1H4	—	—	Ethernet Controller 1 collision / Port FEC1H4
FEC1RXCLK	PFEC1H3	—	—	Ethernet Controller 1 receive clock / Port FEC1H3
FEC1RXDV	PFEC1H2	—	—	Ethernet Controller 1 receive data valid / Port FEC1H2
FEC1RXD0	PFEC1H1	—	—	Ethernet Controller 1 receive data 0 / Port FEC1H1
FEC1CRS	PFEC1H0	—	—	Ethernet Controller 1 carrier receive sense / Port FEC1H0
FEC1TXD[3:1]	PFEC1L[7:5]	—	—	Ethernet Controller 1 transmit data / Port FEC1L[7:5]
FEC1TXER	PFEC1L4	—	—	Ethernet Controller 1 transmit error / Port FEC1L4
FEC1RXD[3:1]	PFEC1L[3:1]	—	—	Ethernet Controller 1 receive data [3:1] / Port FEC1L[3:1]
FEC1RXER	PFEC1L0	—	—	Ethernet Controller 1 receive error / Port FEC1L0
FEC1MDIO	—	SDA	—	Ethernet Controller 1 management data control / I ² C serial data
FEC1MDC	—	SCL	—	Ethernet Controller 1 management data clock / I ² C serial clock
I²C Serial Control				
SDA	PFECI2C1	—	—	I ² C serial data / Port FECI2C1
SCL	PFECI2C0	—	—	I ² C serial clock / Port FECI2C0
External Interrupts				
$\overline{\text{IRQ6}}$	PIRQ6 ²	—	—	Interrupt 6 / Port IRQ6
$\overline{\text{IRQ5}}$	PIRQ5 ²	—	—	Interrupt 5 / Port IRQ5
DMA Serial Peripheral Interface				
DSPICS5/ $\overline{\text{PCSS}}$	PDSPi6	—	—	DSPI synchronous peripheral chip select 3 / Port DSPi6
DSPICS3	PDSPi5	TOUT3	—	DSPI synchronous peripheral chip select 3 / Port DSPi5 / GP timer out 3

Table 15-1. MCF547x GPIO Module External Pins (Continued)

Primary Function (Pin Name)¹	GPIO	Alternate Function 1	Alternate Function 2	Description
DSPICS2	PDSPi4	TOUT2	—	DSPI synchronous peripheral chip select 3 / Port DSPi4 / GP timer out 2
DSPICS0/ \overline{SS}	PDSPi3	$\overline{PSC3RTS}$	PSC3FSYNC	DSPI synchronous peripheral chip select 3 / Port DSPi3 / PSC3 request-to-send / PSC3 frame sync
DSPISCK	PDSPi2	$\overline{PSC3CTS}$	PSC3BCLK	DSPI serial clock / Port DSPi2 / PSC3 clear-to-send / PSC3 modem clock
DSPISIN	PDSPi1	PSC3RXD	—	DSPI serial data input / Port DSPi1 / PSC3 receive data
DSPISOUT	PDSPi0	PSC3TXD	—	DSPI serial data output / Port DSPi 0 / PSC3 transmit data
Programmable Serial Control Module 3				
$\overline{PSC3CTS}$	PPSC3PSC27	PSC3BCLK	—	PSC3 clear-to-send indication / Port PSC3PSC27 / PSC3 modem clock
$\overline{PSC3RTS}$	PPSC3PSC26	PSC3FSYNC	—	PSC3 request-to-send indication / Port PSC3PSC26 / PSC3 frame sync
PSC3RXD	PPSC3PSC25	—	—	PSC3 receive data / Port PSC3PSC25
PSC3TXD	PPSC3PSC24	—	—	PSC3 transmit data / Port PSC3PSC24
Programmable Serial Control Module 2				
$\overline{PSC2CTS}$	PPSC3PSC23	PSC2BCLK	—	PSC2 clear-to-send indication / Port PSC3PSC23 / PSC2 modem clock
$\overline{PSC2RTS}$	PPSC3PSC22	PSC2FSYNC	—	PSC2 request-to-send indication / Port PSC3PSC22 / PSC2 frame sync
PSC2RXD	PPSC3PSC21	—	—	PSC2 receive data / Port PSC3PSC21
PSC2TXD	PPSC3PSC20	—	—	PSC2 transmit data / Port PSC3PSC20
Programmable Serial Control Module 1				
$\overline{PSC1CTS}$	PPSC1PSC07	PSC1BCLK	—	PSC1 clear-to-send indication / Port PSC1PSC07 / PSC1 modem clock
$\overline{PSC1RTS}$	PPSC1PSC06	PSC1FSYNC	—	PSC1 request-to-send indication / Port PSC1PSC06 / PSC1 frame sync
PSC1RXD	PPSC1PSC05	—	—	PSC1 receive data / Port PSC1PSC05
PSC1TXD	PPSC1PSC04	—	—	PSC1 transmit data / Port PSC1PSC04
Programmable Serial Control Module 0				
$\overline{PSC0CTS}$	PPSC1PSC03	PSC0BCLK	—	PSC0 clear-to-send indication / Port PSC1PSC03 / PSC0 modem clock
$\overline{PSC0RTS}$	PPSC1PSC02	PSC0FSYNC	—	PSC0 request-to-send indication / Port PSC1PSC02 / PSC0 frame sync
PSC0RXD	PPSC1PSC01	—	—	PSC0 receive data / Port PSC1PSC01
PSC0TXD	PPSC1PSC00	—	—	PSC0 transmit data / Port PSC1PSC00

Table 15-1. MCF547x GPIO Module External Pins (Continued)

Primary Function (Pin Name) ¹	GPIO	Alternate Function 1	Alternate Function 2	Description
Peripheral Component Interface				
$\overline{\text{PCIBG4}}$	PPCIGNT4	$\overline{\text{TBST}}$	—	PCI bus grant 4 / Port PCIGNT4 / Flexbus transfer burst
$\overline{\text{PCIBG3}}$	PPCIGNT3	TOUT3	—	PCI bus grant 3 / Port PCIGNT3 / GP timer out 3
$\overline{\text{PCIBG2}}$	PPCIGNT2	TOUT2	—	PCI bus grant 2 / Port PCIGNT2 / GP timer out 2
$\overline{\text{PCIBG1}}$	PPCIGNT1	TOUT1	—	PCI bus grant 1 / Port PCIGNT1 / GP timer out 1
$\overline{\text{PCIBG0}}$	PPCIGNT0	TOUT0	—	PCI bus grant 0 / Port PCIGNT0 / GP timer out 0
$\overline{\text{PCIBR4}}$	PPCIREQ4	$\overline{\text{IRQ4}}$	—	PCI bus request 4 / Port PCIREQ4 / Interrupt 4
$\overline{\text{PCIBR3}}$	PPCIREQ3	TIN2	—	PCI bus request 3 / Port PCIREQ3 / GP timer in 3
$\overline{\text{PCIBR2}}$	PPCIREQ2	TIN2	—	PCI bus request 2 / Port PCIREQ2 / GP timer in 2
$\overline{\text{PCIBR1}}$	PPCIREQ1	TIN1	—	PCI bus request 1 / Port PCIREQ1 / GP timer in 1
$\overline{\text{PCIBR0}}$	PPCIREQ0	TIN0	—	PCI bus request 0 / Port PCIREQ0 / GP timer in 0
General Purpose Timer				
TIN3	PTIM3 ²	$\overline{\text{IRQ3}}$	—	GP timer in 3 / Port TIM7 / Interrupt 3
TOUT3	PTIM7 ²	—	—	GP timer out 3 / Port TIM6
TIN2	PTIM2 ²	IRQ2	—	GP timer in 2 / Port TIM5 / Interrupt 1
TOUT2	PTIM6 ²	—	—	GP timer out 2 / Port TIM4

¹ The primary functionality of a pin is not necessarily the default function of the pin after reset. Most pins that have muxed GPIO functionality will default to GPIO inputs. See the reset value of the associated pin assignment register. See [Section 15.3.2.5, “Port x Pin Assignment Registers \(PAR_x\)”](#) for more information on default pin functionality.

² GPIO is supported, but the GPIO functionality is controlled by the timer or EPORT module instead of the GPIO module. Signals are listed because there are pin assignment registers in the GPIO module for controlling the signal functions.

Refer to the signals chapter of the MCF547x chip specification for more detailed descriptions of these signals. The function of most of the pins (primary function, GPIO, etc.) is determined by the GPIO module pin assignment registers.

It should be noted from [Table 15-1](#) that there are several cases where a function is mapped to more than one pin. While it is possible to enable the function on more than one pin simultaneously, this type of programming should be avoided for input functions to prevent unexpected behavior. All multiple-pin functions are listed in [Table 15-2](#).

Table 15-2. MCF547x Multiple-Pin Functions

Function	Direction	Associated Pins
GP timer in 3 (TIN3)	I	TIN3, $\overline{\text{PCIBR3}}$
GP timer in 2 (TIN2)	I	TIN2, $\overline{\text{PCIBR2}}$

Table 15-2. MCF547x Multiple-Pin Functions (Continued)

Function	Direction	Associated Pins
GP timer in 1 (TIN1)	I	TIN1, $\overline{\text{PCIBR1}}$, $\overline{\text{DREQ1}}$
GP timer in 0 (TIN0)	I	TIN0, $\overline{\text{PCIBR0}}$, $\overline{\text{DMA_REQ0}}$
GP timer out 3 (TOUT3)	O	TOUT3, $\overline{\text{PCIBG3}}$, $\overline{\text{DSPI_PSC3}}$
GP timer out 2 (T2OUT)	O	TOUT2, $\overline{\text{PCIBG2}}$, $\overline{\text{DSPI_PSC2}}$
GP timer out 1 (T1OUT)	O	TOUT1, $\overline{\text{PCIBG1}}$, $\overline{\text{DACK1}}$
GP timer out 0 (T0OUT)	O	TOUT0, $\overline{\text{PCIBG0}}$, $\overline{\text{DACK0}}$
I ² C serial data (SDA)	I/O	SDA, $\overline{\text{FEC1MDC}}$
I ² C serial clock (SCL)	I/O	SDA, $\overline{\text{FEC1MDIO}}$
PSC3 request-to-send ($\overline{\text{PSC3RTS}}$)	O	$\overline{\text{PSC3RTS}}$, $\overline{\text{DSPIPCS0/SS}}$
PSC3 clear-to-send ($\overline{\text{PSC3CTS}}$)	I	$\overline{\text{PSC3CTS}}$, $\overline{\text{DSPISCK}}$
PSC3 modem clock ($\overline{\text{PSC3BCLK}}$)	I	$\overline{\text{PSC3CTS}}$, $\overline{\text{DSPISCK}}$
PSC3 frame sync ($\overline{\text{PSC3FSYNC}}$)	I	$\overline{\text{PSC3CTS}}$, $\overline{\text{DSPIPCS0/SS}}$
PSC3 uart receive data ($\overline{\text{PSC3RXD}}$)	I	$\overline{\text{PSC3RXD}}$, $\overline{\text{DSPISIN}}$
PSC3 uart transmit data ($\overline{\text{PSC3TXD}}$)	O	$\overline{\text{PSC3TXD}}$, $\overline{\text{DSPISOUT}}$

15.3 Memory Map/Register Definition

15.3.1 Register Overview

Table 15-3 summarizes all the registers in the MCF547x GPIO module address space.

Table 15-3. MCF547x GPIO Module Memory Map

MBAR Offset	31–24	23–16	15–8	7–0	Access ¹
Port Output Data Registers					
0xA00	PODR_FBCTL	PODR_FBCS	PODR_DMA	Reserved ³	S/U
0xA04	PODR_FEC0H	PODR_FEC0L	PODR_FEC1H	PODR_FEC1L	S/U
0xA08	PODR_FECI2C	PODR_PCIBG	PODR_PCIBR	Reserved ³	S/U
0xA0C	PODR_PSC3PSC2	PODR_PSC1PSC0	PODR_DSPI	Reserved ³	S/U
Port Data Direction Registers					
0xA10	PDDR_FBCTL	PDDR_FBCS	PDDR_DMA	Reserved ²	S/U
0xA14	PDDR_FEC0H	PDDR_FEC0L	PDDR_FEC1H	PDDR_FEC1L	S/U
0xA18	PDDR_FECI2C	PDDR_PCIBG	PDDR_PCIBR	Reserved ³	S/U
0xA1C	PDDR_PSC3PSC2	PDDR_PSC1PSC0	PDDR_DSPI	Reserved ³	S/U
Port Pin Data/Set Data Registers					

Table 15-3. MCF547x GPIO Module Memory Map (Continued)

MBAR Offset	31–24	23–16	15–8	7–0	Access ¹
0xA20	PPDSDR_FBCTL	PPDSDR_FBSCS	PPDSDR_DMA	Reserved ³	S/U
0xA24	PPDSDR_FEC0H	PPDSDR_FEC0L	PPDSDR_FEC1H	PPDSDR_FEC1L	S/U
0xA28	PPDSDR_FECI2C	PPDSDR_PCIBG	PPDSDR_PCIBR	Reserved ³	S/U
0xA2C	PPDSDR_PSC3PSC2	PPDSDR_PSC1PSC0	PPDSDR_DSPI	Reserved ³	S/U
Port Clear Output Data Registers					
0xA30	PCLRR_FBCTL	PCLRR_FBSCS	PCLRR_DMA	Reserved ³	S/U
0xA34	PCLRR_FEC0H	PCLRR_FEC0L	PCLRR_FEC1H	PCLRR_FEC1L	S/U
0xA38	PCLRR_FECI2C	PCLRR_PCIBG	PCLRR_PCIBR	Reserved ³	S/U
0xA3C	PCLRR_PSC3PSC2	PCLRR_PSC1PSC0	PCLRR_DSPI	Reserved ³	S/U
Pin Assignment Registers					
0xA40	PAR_FBCTL		PAR_FBSCS	PAR_DMA	S/U
0xA44	PAR_FECI2CIRQ		Reserved ³		S/U
0xA48	PAR_PCIBG		PAR_PCIBR		S/U
0xA4C	PAR_PSC3	PAR_PSC2	PAR_PSC1	PAR_PSC0	S/U
0xA50	PAR_DSPI		PAR_TIMER	Reserved ³	S/U
0xA54–0xA7F	Reserved ³				

¹ S/U = supervisor or user mode access.

² Reads to reserved locations return 0s. Writes have no effect.

15.3.2 Register Descriptions

15.3.2.1 Port x Output Data Registers (PODR_x)

The PODR registers store the data to be driven on the corresponding port *x* pins when the pins are configured for general purpose output.

Most PODR_x registers have full 8-bit implementations, as shown in [Figure 15-2](#). The remaining PODR_x registers use fewer than eight bits. These registers are shown in [Figure 15-3](#), [Figure 15-4](#), [Figure 15-5](#), and [Figure 15-6](#).

The PODR_x registers are read/write. At reset, all implemented bits in the PODR_x registers are set. Unimplemented bits always remain cleared.

Reading a PODR_x register returns the current values in the register, not the port *x* pin values.

To set bits in a PODR_x register, write 1s to the PODR_x bits, or write 1s to the corresponding bits in the PORTP_x/SET_x register. To clear bits in a PODR_x register, write 0s to the PODR_x bits, or write 0s to the corresponding bits in the PCLRR_x register.

15.3.2.1.1 8-Bit PODR_x Registers

The 8-bit PODR_x registers include the following:

- PODR_FBCTL
- PODR_FEC0H
- PODR_FEC0L
- PODR_FEC1H
- PODR_FEC1L
- PODR_PSC3PSC2
- PODR_PSC1PSC0

Figure 15-2 displays the 8-bit PODR_x registers.

	7	6	5	4	3	2	1	0
R	PODRx7	PODRx6	PODRx5	PODRx4	PODRx3	PODRx2	PODRx1	PODRx0
W								
Reset	1	1	1	1	1	1	1	1
Reg Addr	MBAR + 0xA00 (PODR_FBCTL), 0xA04 (PODR_FEC0H), 0xA05 (PODR_FEC0L), 0xA06 (PODR_FEC1H), 0xA07 (PODR_FEC1L), 0xA0C (PODR_PSC3PSC2), 0xA0D (PODR_PSC1PSC0)							

Figure 15-2. 8-Bit Port Output Data Registers (PODR_x)

Table 15-4. 8-Bit PODR_x Field Descriptions

Bits	Name	Description
7-0	PODRxn	PODRx Output Data Bits 0 Drive 0 when PORT x pin is general purpose output 1 Drive 1 when PORT x pin is general purpose output

15.3.2.1.2 7-Bit PODR_x Register

The 7-bit PODR_DSPI register is the output data register for the PDSPIn port. Figure 15-3 displays the 7-bit PODR_x register.

	7	6	5	4	3	2	1	0
R	0	PODRDSPI	PODRDSPI	PODRDSPI	PODRDSP	PODRDSP	PODRDSPI	PODRDSPI
W		6	5	4	I3	I2	1	0
Reset	0	1	1	1	1	1	1	1
Reg Addr	MBAR + 0xA0E (PODR_DSPI)							

Figure 15-3. 7-Bit PODR_DSPI Register (PODR_x)

Table 15-5. 7-Bit PODR_DSPI Field Descriptions

Bits	Name	Description
7	—	Reserved, should be cleared
6–0	PODRDSPI <i>n</i>	PODR DSPI output data bits 0 Drive 0 when PDSPI <i>n</i> pin is general purpose output 1 Drive 1 when PDSPI <i>n</i> pin is general purpose output

15.3.2.1.3 5-Bit PODR_x Registers

The 5-bit PODR_x registers are the output data registers for PPCIBG*n* (PODR_PCIBG) and PPCIBR*n* (PODR_PCIBR). Figure 15-4 displays the 5-bit PODR_x registers.

	7	6	5	4	3	2	1	0
R	0	0	0	PODRx4	PODRx3	PODRx2	PODRx1	PODRx0
W								
Reset	0	0	0	1	1	1	1	1
Reg Addr	MBAR + 0xA09 (PODR_PCIBG), 0xA0A (PODR_PCIBR)							

Figure 15-4. 5-Bit PODR_PCIBG and PODR_PCIBR Registers

Table 15-6. 5-Bit PODR_PCIBG and PODR_PCIBR Field Descriptions

Bits	Name	Description
7–5	—	Reserved, should be cleared
4–0	PODRx <i>n</i>	PODR_PCIBG and PODR_PCIBR output data bits 0 Drive 0 when PPCIBG <i>n</i> or PPCIBR <i>n</i> pin is general purpose output 1 Drive 1 when PPCIBG <i>n</i> or PPCIBR <i>n</i> pin is general purpose output

15.3.2.1.4 4-Bit PODR_x Registers

The 4-bit PODR_x registers are the output data registers for PDMA_n (PODR_DMA) and PFECI2C_n (PODR_FECI2C). Figure 15-3 displays the 4-bit PODR_x registers.

	7	6	5	4	3	2	1	0
R	0	0	0	0	PODRx3	PODRx2	PODRx1	PODRx0
W								
Reset	0	0	0	0	1	1	1	1
Reg Addr	MBAR + 0xA02 (PORT_DMA), 0xA08 (PORT_FECI2C)							

Figure 15-5. 4-Bit PODR_DMA and PODR_FECI2C Registers

Table 15-7. 4-Bit PODR_DMA and PODR_FECI2C Field Descriptions

Bits	Name	Description
7–4	—	Reserved, should be cleared
3–0	PODRx _n	PORT_DMA and PORT_FECI2C output data bits 0 Drive 0 when PDMA _n or PFECI2C _n pin is general purpose output 1 Drive 1 when PDMA _n or PFECI2C _n pin is general purpose output

15.3.2.1.5 FBCS Register (PODR_FBCS)

The 5-bit PODR_FBCS register is the output data register for PFBCS_n (PODR_FBCS). Figure 15-6 displays the 5-bit PODR_FBCS register.

	7	6	5	4	3	2	1	0
R	0	0	PODRFB5	PODRFB4	PODRFB3	PODRFB2	PODRFB1	0
W								
Reset	0	0	0	0	0	0	0	0
Reg Addr	MBAR + 0xA01 (PODR_FBCS)							

Figure 15-6. 5-Bit PODR_FBCS Register

Table 15-8. 5-Bit PODR_FBCS Field Descriptions

Bits	Name	Description
7–6	—	Reserved, should be cleared
5–1	PODRFB _n	PORT_FBCS output data 0 Drive 0 when PFBCS _n pin is general purpose output 1 Drive 1 when PFBCS _n pin is general purpose output
0	—	Reserved, should be cleared

15.3.2.2 Port x Data Direction Registers (PDDR_x)

The PDDR registers control the direction of the port *x* pin drivers when the pins are configured for general purpose I/O.

Most PDDR_x registers have a full 8-bit implementation, as shown in [Figure 15-7](#). The remaining PDDR_x registers use fewer than eight bits. Their bit definitions are shown in [Figure 15-8](#), [Figure 15-9](#), [Figure 15-10](#), and [Figure 15-11](#).

The PDDR_x registers are read/write. At reset, all bits in the PDDR_x registers are cleared. Setting any bit in a PDDR_x register configures the corresponding port *x* pin as an output. Clearing any bit in a PDDR_x register configures the corresponding pin as an input.

15.3.2.2.1 8-Bit PDDR_x Registers

The 8-bit PDDR_x registers include the following:

- PDDR_FBCTL
- PDDR_FEC0H
- PDDR_FEC0L
- PDDR_FEC1H
- PDDR_FEC1L
- PDDR_PSC3PSC2
- PDDR_PSC1PSC0

[Figure 15-7](#) displays the 8-bit PDDR_x registers.

	7	6	5	4	3	2	1	0
R	DDx7	DDx6	DDx5	DDx4	DDx3	DDx2	DDx1	DDx0
W								
Reset	0	0	0	0	0	0	0	0
Reg Addr	MBAR + 0xA10 (PDDR_FBCTL), 0xA14 (PDDR_FEC0H), 0xA15 (PDDR_FEC0L), 0xA16 (PDDR_FEC1H), 0xA17 (PDDR_FEC1L), 0xA1C (PDDR_PSC3PSC2), 0xA1D (PDDR_PSC1PSC0)							

Figure 15-7. 8-Bit Port Data Direction Registers

Table 15-9. 8-Bit PDDR_x Field Descriptions

Bits	Name	Description
7–0	DD _{xn}	PDDR _x Data Direction Bits 0 PORT <i>x</i> pin is configured as input 1 PORT <i>x</i> pin is configured as output

15.3.2.2.2 7-Bit PDDR_x Register

The 7-bit PDDR_DSPI register sets the data direction for the PDSPI_{*n*} port. [Figure 15-8](#) displays the 7-bit PDDR_DSPI register.

	7	6	5	4	3	2	1	0
R	0	DDDSP	DDDSP5	DDDSP4	DDDSP3	DDDSP2	DDDSP1	DDDSP0
W		6						
Reset	0	0	0	0	0	0	0	0
Reg Addr	MBAR + 0xA1E (PDDR_DSPI)							

Figure 15-8. 7-Bit PDDR_DSPI Data Direction Register

Table 15-10. 7-Bit PDDR_DSPI Field Descriptions

Bits	Name	Description
7	—	Reserved, should be cleared
6–0	DDDSP n	PDDR_DSPI data direction 0 PDSPI n pin configured as input 1 PDSPI n pin configured as output

15.3.2.2.3 5-Bit PDDR x Registers

The 5-bit PDDR x registers are the data direction registers for PPCIBG n (PDDR_PCIBG) and PPCIBR n (PDDR_PCIBR). [Figure 15-9](#) displays the 5-bit PDDR x registers.

	7	6	5	4	3	2	1	0
R	0	0	0	DDx4	DDx3	DDx2	DDx1	DDx0
W								
Reset	0	0	0	0	0	0	0	0
Reg Addr	MBAR + 0xA11 (PDDR_FBCS), 0xA19 (PDDR_PCIBG), 0xA1A (PDDR_PCIBR)							

Figure 15-9. 5-Bit PDDR_PCIBG and PDDR_PCIBR Registers

Table 15-11. 5-Bit PDDR_PCIBG and PDDR_PCIBR Field Descriptions

Bits	Name	Description
7–5	—	Reserved, should be cleared
4–0	DDx n	PDDR_PCIBG and PDDR_PCIBR Data Direction 0 PPCIBG n or PPCIBR n pin is configured as input 1 PPCIBG n or PPCIBR n pin is configured as output

15.3.2.2.4 4-Bit PDDR x Registers

The 4-bit PDDR x registers are for data direction of PDMA n (PDDR_DMA) and PFECI2C n (PDDR_FECI2C). [Figure 15-10](#) displays the 4-bit PDDR x registers.

	7	6	5	4	3	2	1	0
R	0	0	0	0	DDx3	DDx2	DDx1	DDx0
W								
Reset	0	0	0	0	0	0	0	0
Reg Addr	MBAR + 0xA12 (PDDR_DMA), 0xA18 (PDDR_FECI2C)							

Figure 15-10. 4-Bit PDDR_DMA and PDDR_FECI2C Registers

Table 15-12. 4-Bit PDDR_DMA and PDDR_FECI2C Field Descriptions

Bits	Name	Description
7–4	—	Reserved, should be cleared
3–0	DDxn	PDDR_DMA and PDDR_FECI2C Data Direction 0 PDMA _n or PFECI2C _n pin is configured as input 1 PDMA _n or PFECI2C _n pin is configured as output

15.3.2.2.5 FBCS Register (PDDR_FBCS)

The 5-bit PDDR_FBCS register is for data direction of PFBCS_n. Figure 15-11 displays the 5-bit PDDR_FBCS register.

	7	6	5	4	3	2	1	0
R	0	0	DDFB5	DDFB4	DDFB3	DDFB2	DDFB1	0
W								
Reset	0	0	0	0	0	0	0	0
Reg Addr	MBAR + 0xA11 (PDDR_FBCS)							

Figure 15-11. 5-Bit PDDR_FBCS Register

Table 15-13. 5-Bit PDDR_FBCS Field Descriptions

Bits	Name	Description
7–6	—	Reserved, should be cleared
5–1	DDFB _n	PDDR_FBCS data direction 0 PFBCS _n pin is configured as input 1 PFBCS _n pin is configured as output
0	—	Reserved, should be cleared

15.3.2.3 Port x Pin Data/Set Data Registers (PPDSDR_x)

The PPDSDR registers reflect the current pin states and control the setting of output pins when the pin is configured for general purpose I/O.

Most PPDSDR_x registers have a full 8-bit implementation, as shown in Figure 15-12. The remaining PPDSDR_x registers use fewer than eight bits. Their bit definitions are shown in Figure 15-13, Figure 15-14, Figure 15-15, and Figure 15-16.

The PPDSDR_x registers are read/write. At reset, the bits in the PPDSDR_x registers are set to the current pin states.

Reading a PPDSDR_x register returns the current state of the port x pins.

Writing 1s to a PPDSDR_x register sets the corresponding bits in the PODR_x register. Writing 0s has no effect.

15.3.2.3.1 8-Bit PPDSDR_x Registers

The 8-bit PPDSDR_x registers include the following:

- PPDSDR_FBCTL
- PPDSDR_FEC0H
- PPDSDR_FEC0L
- PPDSDR_FEC1H
- PPDSDR_FEC1L
- PPDSDR_PSC3PSC2
- PPDSDR_PSC1PSC0
- PPDSDR_PSC3PSC2

Figure 15-12 displays the 8-bit PPDSDR_x registers.

	7	6	5	4	3	2	1	0
R	PPDx7	PPDx6	PPDx5	PPDx4	PPDx3	PPDx2	PPDx1	PPDx0
W	PSDx7	PSDx6	PSDx5	PSDx4	PSDx3	PSDx2	PSDx1	PSDx0
Reset	P ¹	P ¹	P ¹	P ¹	P ¹	P ¹	P ¹	P ¹
Reg Addr	MBAR + 0xA20 (PPDSDR_FBCTL), 0xA24 (PPDSDR_FEC0H), 0xA25 (PPDSDR_FEC0L), 0xA26 (PPDSDR_FEC1H), 0xA27 (PPDSDR_FEC1L), 0xA2C (PPDSDR_PSC3PSC2), 0xA2D (PPDSDR_PSC1PSC0)							

¹ P = the current pin state. The exception is that PPDSDR_FBCTL is always reset to 0.

Figure 15-12. 8-Bit Port Pin Data / Set Data Registers

Table 15-14. 8-Bit PPDSDR_x Field Descriptions

Bits	Name	Description
7–0	PPDxn	Port pin data. This is read-only. 0 Port x pin state is low 1 Port x pin state is high
	PSDxn	Port set data. 0 No effect 1 Corresponding PODR _x bit is set

15.3.2.3.2 7-Bit PPDSDR_x Register

The 7-bit PPDSDR_x register is for pin data and set data for PDSPI n . Figure 15-13 displays the 7-bit PPDSDR_DSPI register.

	7	6	5	4	3	2	1	0
R	0	PPDx6	PPDx5	PPDx4	PPDx3	PPDx2	PPDx1	PPDx0
W		PSDx6	PSDx5	PSDx4	PSDx3	PSDx2	PSDx1	PSDx0
Reset	0	P ¹	P ¹	P ¹	P ¹	P ¹	P ¹	P ¹
Reg Addr	MBAR + 0xA2E (PPDSDR_DSPI)							

¹ P = the current pin state.

Figure 15-13. 7-Bit Port Pin Data / Set Data Registers

Table 15-15. 7-Bit PPDSDR_DSPI Field Descriptions

Bits	Name	Description
7	—	Reserved, should be cleared.
6–0	PPD xn	PPDSDR_DSPI pin data. This is Read-only. 0 PDSPI n pin state is low 1 PDSPI n pin state is high
	PSD xn	PPDSDR_DSPI set data. 0 No effect 1 Corresponding PODR_DSPI bit is set

15.3.2.3.3 5-Bit PPDSDR_x Registers

The 5-bit PPDSDR_x registers are the pin data and set data registers for PPCIBG n (PPDSDR_PCIBG) and PPCIBR n (PPDSDR_PCIBR). Figure 15-14 displays the 5-bit PPDSDR_x registers.

	7	6	5	4	3	2	1	0
R	0	0	0	PPDx4	PPDx3	PPDx2	PPDx1	PPDx0
W				PSDx4	PSDx3	PSDx2	PSDx1	PSDx0
Reset	0	0	0	P ¹	P ¹	P ¹	P ¹	P ¹
Reg Addr	MBAR + 0xA29 (PPDSDR_PCIBG) and 0xA2A (PPDSDR_PCIBR)							

¹ P = the current pin state.

Figure 15-14. 5-Bit PPDSDR_PCIBG and PPDSDR_PCIBR Registers

Table 15-16. 5-Bit PPDSDR_PCIBG and PPDSDR_PCIBR Field Descriptions

Bits	Name	Description
7–5	—	Reserved, should be cleared.
4–0	PPDxn	PPDSDR_PCIBG and PPDSDR_PCIBR pin data. This is Read-only. 0 PPCIBGn or PPCIBRn pin state is low 1 PPCIBGn or PPCIBRn pin state is high
	PSDxn	PPDSDR_PCIBG and PPDSDR_PCIBR set data. 0 No effect 1 Corresponding PODR_PCIBGn or PODR_PCIBRn bit is set

15.3.2.3.4 4-Bit PPDSDRx Registers

The 4-bit PPDSDRx registers are the pin data and set data registers for PDMA_n (PPDSDR_DMA) and PFECI2C_n (PPDSDR_FECI2C). [Figure 15-15](#) displays the 4-bit PPDSDR_DMA and PPDSDR_FECI2C registers.

	7	6	5	4	3	2	1	0
R	0	0	0	0	PPDx3	PPDx2	PPDx1	PPDx0
W					PSDx3	PSDx2	PSDx1	PSDx0
Reset	0	0	0	0	P ¹	P ¹	P ¹	P ¹
Reg Addr	MBAR + 0xA22 (PPDSDR_DMA) and 0xA28 (PPDSDR_FECI2C)							

¹ P = the current pin state.

Figure 15-15. 4-Bit PPDSDR_DMA and PPDSDR_FECI2C Registers

Table 15-17. 4-Bit PPDSDR_DMA and PPDSDR_FECI2C Field Descriptions

Bits	Name	Description
7–4	—	Reserved, should be cleared.
4–0	PPDxn	PPDSDR_DMA and PPDSDR_FECI2C pin data. This is Read-only. 0 PDMA _n or PFECI2C _n pin state is low 1 PDMA _n or PFECI2C _n pin state is high
	PSDXn	PPDSDR_DMA and PPDSDR_FECI2C set data. 0 No effect 1 Corresponding PODR_DMA or PODR_FECI2C bit is set

15.3.2.3.5 FBSC Register (PPDSDR_FBSC)

The 5-bit PPDSDR_FBSC register is for pin data and set data for PFBCS_n. [Figure 15-16](#) displays the 5-bit PPDSDR_FBSC register.

	7	6	5	4	3	2	1	0
R	0	0	PPDx5	PPDx4	PPDx3	PPDx2	PPDx1	0
W			PSDx5	PSDx4	PSDx3	PSDx2	PSDx1	
Reset	0	0	P ¹	P ¹	P ¹	P ¹	P ¹	0
Reg Addr	MBAR + 0xA21 (PDDSDR_FBCS)							

¹ P = the current pin state.

Figure 15-16. 5-Bit PDDSDR_FBCS Register

Table 15-18. 5-Bit PDDSDR_FBCS Field Descriptions

Bits	Name	Description
7–6	—	Reserved, should be cleared.
5–1	PPDxn	PDDSDR_FBCS pin data. This is Read-only. 0 PFBCSn pin state is low 1 PFBCSn pin state is high
	PSDxn	PDDSDR_FBCS set data. 0 No effect 1 Corresponding PODR_FBCS bit is set
0	—	Reserved, should be cleared.

15.3.2.4 Port Clear Output Data Registers (PCLRR_x)

Writing 0s to a PCLRR register clears the corresponding bits in the PODR_x register. Writing 1s has no effect. Reading the PCLRR_x register returns 0s.

Most PCLRR_x registers have a full 8-bit implementation, as shown in [Figure 15-17](#). The remaining PCLRR_x registers use fewer than eight bits. Their bit definitions are shown in [Figure 15-18](#), [Figure 15-19](#), [Figure 15-20](#), and [Figure 15-21](#).

The PCLRR_x registers are read/write.

The 8-bit PCLRR_x registers include the following:

- PCLRRx_FBCTL
- PCLRRx_FEC0H
- PCLRRx_FEC0L
- PCLRRx_FEC1H
- PCLRRx_FEC1L
- PCLRRx_PSC3PSC2
- PCLRRx_PSC1PSC0

[Figure 15-17](#) displays the 8-bit PCLRR_x registers.

	7	6	5	4	3	2	1	0
R	0	0	0	0	0	0	0	0
W	CLR _x 7	CLR _x 6	CLR _x 5	CLR _x 4	CLR _x 3	CLR _x 2	CLR _x 1	CLR _x 0
Reset	0	0	0	0	0	0	0	0
Reg Addr	MBAR + 0xA30 (PCLRR_FBCTL), 0xA34 (PCLRR_FEC0H), 0xA35 (PCLRR_FEC0L), 0xA36 (PCLRR_FEC1H), 0xA37 (PCLRR_FEC1L), 0xA3C (PCLRR_PSC3PSC2), 0xA3D (PCLRR_PSC1PSC0)							

Figure 15-17. 8-Bit Port Clear Output Data Registers

Table 15-19. 8-Bit PCLRR_x Field Descriptions

Bits	Name	Description
7–0	CLR _x <i>n</i>	PCLRR _x Clear output data registers 0 Corresponding PODR_x bit is cleared 1 No effect

15.3.2.4.1 7-Bit PCLRR_x Register

The 7-bit PCLRR_DSPI register is the clear output data register for PDSPIn. Figure 15-18 displays the 7-bit PCLRR_DSPI register.

	7	6	5	4	3	2	1	0
R	0	0	0	0	0	0	0	0
W		CLR _D SP6	CLR _D SP5	CLR _D SP4	CLR _D SP3	CLR _D SP2	CLR _D SP1	CLR _D SP0
Reset	0	0	0	0	0	0	0	0
Reg Addr	MBAR + 0xA3E (PCLRR_DSPI)							

Figure 15-18. 7-Bit Port Clear Output Data DSPI Register

Table 15-20. 7-Bit PCLRR_DSPI Field Descriptions

Bits	Name	Description
7	—	Reserved, should be cleared
6–0	CLR _D SP _n	PCLRR_DSPI Clear output data register 0 Corresponding PODR_DSPI bit is cleared 1 No effect

15.3.2.4.2 5-Bit PCLRR_x Registers

The 5-bit PCLRR_x registers are the pin data and set data registers for PPCIBG_n (PCLRR_PCIBG) and PPCIBR_n (PCLRR_PCIBR). Figure 15-19 displays the 5-bit PCLRR_x registers.

	7	6	5	4	3	2	1	0
R	0	0	0	0	0	0	0	0
W				PCLRRx4	PCLRRx3	PCLRRx2	PCLRRx1	PCLRRx0
Reset	0	0	0	0	0	0	0	0
Reg Addr	MBAR + 0xA39 (PCLRR_PCIBG) and 0xA3A (PCLRR_PCIBR)							

Figure 15-19. 5-Bit PCIBG and PCIBR Clear Output Data Register

Table 15-21. 5-Bit PCLRR_PCIBG and PCLRR_PCIBR Field Descriptions

Bits	Name	Description
7–5	—	Reserved, should be cleared
4–0	PCLRR _{xn}	PCLRR_PCIBG and PCLRR_PCIBR clear output data registers 0 Corresponding PODR_PCIGNT or PODR_PCIREQ bit is cleared 1 No effect

15.3.2.4.3 4-Bit PCLRR_x Registers

The 4-bit PCLRR_x registers are the clear output data registers for PDMA_n (PCLRR_DMA) and PFECI2C_n (PCLRR_FECI2C). Figure 15-20 displays the 4-bit PCLRR_x registers.

	7	6	5	4	3	2	1	0
R	0	0	0	0	0	0	0	0
W					PCLRRx3	PCLRRx2	PCLRRx1	PCLRRx0
Reset	0	0	0	0	0	0	0	0
Reg Addr	MBAR + 0xA32 (PCLRR_DMA) and 0xA38 (PCLRR_FECI2C)							

Figure 15-20. 4-Bit DMA and FECI2C Clear Output Data Registers

Table 15-22. 4-Bit PCLRR_DMA and PCLRR_FECI2C Field Descriptions

Bits	Name	Description
7–4	—	Reserved, should be cleared
3–0	PCLRR _{xn}	PCLRR_DMA and PCLRR_FECI2C clear output data registers 0 Corresponding PODR_DMA or PODR_FECI2C bit is cleared 1 No effect

15.3.2.4.4 5-Bit PCLRR_FBCS Registers

The 5-bit PCLRR_FBCS register is the clear output data register for PFBCS_n. Figure 15-21 displays the 5-bit PCLRR_FBCS register.

	7	6	5	4	3	2	1	0
R	0	0	0	0	0	0	0	0
W			CLRFB5	CLRFB4	CLRFB3	CLRFB2	CLRFB1	
Reset	0	0	0	0	0	0	0	0
Reg Addr	MBAR + 0xA31 (PCLRR_FBCS)							

Figure 15-21. 5-Bit FlexBus Clear Output Data Register

Table 15-23. 5-Bit PCLRR_FBCS Field Descriptions

Bits	Name	Description
7–6	—	Reserved, should be cleared
5–1	CLRFB n	PCLRR_FBCS clear output data register 0 Corresponding PODR_FBCS bit is cleared 1 No effect
0	—	Reserved, should be cleared

15.3.2.5 Port x Pin Assignment Registers (PAR_x)

The PAR_x registers select the signal function that will be driven on the physical pin.

15.3.2.5.1 FlexBus Control Pin Assignment Register (PAR_FBCTL)

The FlexBus control pin assignment (PAR_FBCTL) register controls the function of the FlexBus control signal pins. The PAR_FBCTL register is read/write.

	15	14	13	12	11	10	9	8	7	6	5	4	3	2	1	0
R	0	PAR_	0	PAR_	0	PAR_	0	PAR_	0	PAR_	PAR_	PAR_	0	PAR_	PAR_	
W		BWE3		BWE2		BWE1		BWE0		OE	RWB			_TA	_ALE	
Reset	0	1	0	1	0	1	0	1	0	1	1	1	0	1	1	1
Reg Addr	MBAR + 0xA40 (PAR_FBCTL)															

Figure 15-22. FlexBus Control Pin Assignment Register (PAR_FBCTL)

Table 15-24. PAR_FBCTL Field Descriptions

Bits	Name	Description
15	—	Reserved, should be cleared.
14	PAR_BWE3	The PAR_BWE bit configures the $\overline{BE3}/\overline{BWE3}$ pin for its primary function or general purpose I/O. 0 $\overline{BE3}/\overline{BWE3}$ pin configured for general purpose I/O (PFBCTL7) 1 $\overline{BE3}/\overline{BWE3}$ pin configured for FlexBus $\overline{BE3}/\overline{BWE3}$ or TSIZ1 function. The function chosen depends on the reset configuration.
13	—	Reserved, should be cleared.

Table 15-24. PAR_FBCTL Field Descriptions (Continued)

Bits	Name	Description
12	PAR_BWE2	The PAR_BWE bit configures the $\overline{BE2/BWE2}$ pin for its primary function or general purpose I/O. 0 $\overline{BE2/BWE2}$ pin configured for general purpose I/O (PFBCTL6) 1 $\overline{BE2/BWE2}$ pin configured for FlexBus $\overline{BE2/BWE2}$ or TSIZ0 function. The function chosen depends on the reset configuration.
11	—	Reserved, should be cleared. Writes have no effect and terminate without transfer error exception
10	PAR_BWE1	The PAR_BWE bit configures the $\overline{BE1/BWE1}$ pin for its primary function or general purpose I/O. 0 $\overline{BE1/BWE1}$ pin configured for general purpose I/O (PFBCTL5) 1 $\overline{BE1/BWE1}$ pin configured for FlexBus $\overline{BE1/BWE1}$ or FBADDR1 function. The function chosen depends on the reset configuration.
9	—	Reserved, should be cleared.
8	PAR_BWE0	The PAR_BWE bit configures the $\overline{BE0/BWE0}$ pin for its primary function or general purpose I/O. 0 $\overline{BE0/BWE0}$ pin configured for general purpose I/O (PFBCTL4) 1 $\overline{BE0/BWE0}$ pin configured for FlexBus $\overline{BE0/BWE0}$ or FBADDR0 function. The function chosen depends on the reset configuration.
7	—	Reserved, should be cleared.
6	PAR_OE	The PAR_OE bit configures the \overline{OE} pin for its primary function or general purpose I/O. 0 \overline{OE} pin configured for general purpose I/O (PFBCTL3) 1 \overline{OE} pin configured for Flexbus \overline{OE} function.
5–4	PAR_RWB	The PAR_RWB bit configures the R/\overline{W} pin for its primary function or general purpose I/O 0x R/\overline{W} pin configured for general purpose I/O (PFBCTL2) 10 R/\overline{W} pin configured for Flexbus \overline{TBST} function 11 R/\overline{W} pin configured for Flexbus R/\overline{W} function
3	—	Reserved, should be cleared.
2	PAR_TA	The PAR_TA bit configures the \overline{TA} pin for its primary function or general purpose I/O 0 \overline{TA} pin configured for general purpose I/O (PFBCTL1) 1 \overline{TA} pin configured for Flexbus \overline{TA} function
1–0	PAR_ALE	The PAR_ALE bit configures the ALE pin for one of its primary functions or general purpose I/O. 0x ALE pin configured for general purpose I/O (PFBCTL0) 10 ALE pin configured for Flexbus \overline{TBST} function 11 ALE pin configured for Flexbus ALE function

15.3.2.6 FlexBus Chip Select Pin Assignment Register (PAR_FBSCS)

The PAR_FBSCS register controls the function of the FlexBus chip select signal pins.

The PAR_FBSCS register is read/write.

	7	6	5	4	3	2	1	0
R	0	0	PAR_CS5	PAR_CS4	PAR_CS3	PAR_CS2	PAR_CS1	0
W								
Reset	0	0	1	1	1	1	1	0
Reg Addr	MBAR + 0xA42 (PAR_FBCS)							

Figure 15-23. Flexbus Chip Select Pin Assignment Register (PAR_FBCS)

Table 15-25. PAR_FBCS Field Descriptions

Bits	Name	Description
7–6	—	Reserved, should be cleared.
5–1	PAR_CS n	The PAR_CS n bit configures the $\overline{\text{FBCS}}_n$ pin for its primary function or general purpose I/O. 0 $\overline{\text{FBCS}}_n$ pin configured for general purpose I/O (PFBCS[5:1]) 1 $\overline{\text{FBCS}}_n$ pin configured for FlexBus $\overline{\text{FBCS}}_n$ function
0	—	Reserved, should be cleared.

15.3.2.7 DMA Pin Assignment Register (PAR_DMA)

The PAR_DMA register controls the function of the four MCF547x DMA pins.

The PAR_DMA register is read/write

	7	6	5	4	3	2	1	0
R	PAR_DACK1		PAR_DACK0		PAR_DREQ1		PAR_DREQ0	
W								
Reset	0	0	0	0	0	0	0	0
Reg Addr	MBAR + 0xA43 (PAR_DMA)							

Figure 15-24. DMA Pin Assignment Register (PAR_DMA)

Table 15-26. PAR_DMA Field Descriptions

Bits	Name	Description
7–6	PAR_DACK1	The PAR_DACK1 field configures the $\overline{\text{DACK}}_1$ pin for its primary functions or general purpose I/O. 0X $\overline{\text{DACK}}_1$ pin configured for general purpose I/O (PDMA3) 10 $\overline{\text{DACK}}_1$ pin configured for GP Timer TOUT1 function 11 $\overline{\text{DACK}}_1$ pin configured for $\overline{\text{DACK}}_1$ function
5–4	PAR_DACK0	The PAR_DACK0 field configures the $\overline{\text{DACK}}_0$ pin for its primary functions or general purpose I/O. 0X $\overline{\text{DACK}}_0$ pin configured for general purpose I/O (PDMA2) 10 $\overline{\text{DACK}}_0$ pin configured for GP Timer TOUT0 function 11 $\overline{\text{DACK}}_0$ pin configured for $\overline{\text{DACK}}_0$ function

Table 15-26. PAR_DMA Field Descriptions (Continued)

Bits	Name	Description
3–2	PAR_DREQ1	The PAR_DREQ1 field configures the $\overline{\text{DREQ1}}$ pin for its primary functions or general purpose I/O. 00 = $\overline{\text{DREQ1}}$ pin configured for general purpose I/O (PDMA1) 01 = $\overline{\text{DREQ1}}$ pin configured for $\overline{\text{IRQ1}}$ function 10 = $\overline{\text{DREQ1}}$ pin configured for GP Timer TIN1 function 11 = $\overline{\text{DREQ1}}$ pin configured for $\overline{\text{DREQ1}}$ function
1–0	PAR_DREQ0	The PAR_DREQ0 field configures the $\overline{\text{DREQ0}}$ pin for its primary functions or general purpose I/O. 0X = $\overline{\text{DREQ0}}$ pin configured for general purpose I/O (PDMA0) 10 = $\overline{\text{DREQ0}}$ pin configured for GP Timer TIN0 function 11 = $\overline{\text{DREQ0}}$ pin configured for $\overline{\text{DREQ0}}$ function

15.3.2.8 FEC/I2C/IRQ Pin Assignment Register (PAR_FECI2CIRQ)

The PAR_FECI2CIRQ register controls the functions of the FEC0, FEC1, I2C, and IRQ pins. The PAR_FECI2CIRQ register is read/write

	15	14	13	12	11	10	9	8	7	6	5	4	3	2	1	0
R	PAR_E07	PAR_E0MII	PAR_E0MDIO	PAR_E0MDC	PAR_E17	PAR_E1MII	PAR_E1MDIO	PAR_E1MDC	0	0	PAR_SDA	PAR_SCL	PAR_IRQ6	PAR_IRQ5		
W																
Reset	0	0	0	0	0	0	1	1	1	1	0	0	0	0	1	1
Reg Addr	MBAR + 0xA44 (PAR_FECI2CIRQ)															

Figure 15-25. FEC/I2C/IRQ Pin Assignment Register (PAR_FECI2CIRQ)

Table 15-27. PAR_FEC/I2C/IRQ Field Descriptions

Bits	Name	Description
15	PAR_E07	FEC0 7-wire mode pin assignment. Configures all the FEC0 7-wire mode pins (port FEC0H pins, except for E0CRS) for their primary functions or general purpose I/O. 0 All FEC1 7-wire mode pins configured for GPIO (PFEC0H[7:1]) 1 All FEC1 7-wire mode pins configured for their primary functions
14	PAR_E0MII	FEC1 MII mode-only pin assignment. Configures all the FEC0 MII mode-only pins (port FEC0L pins, plus FEC0_CRS) for their primary functions or general purpose I/O. 0 All FEC0 MII mode-only pins configured for GPIO (PFEC0H0 and PFEC0L[7:0]) 1 All FEC0 MII mode-only pins configured for their primary functions
13	PAR_E0MDIO	FEC0 MDIO pin assignment. Configures the E0MDIO pin for its primary function or general purpose I/O. 0 E0MDIO pin configured for GPIO (PFECI2C3) 1 E0MDIO pin configured for E0MDIO function
12	PAR_E0MDC	FEC0 MDC pin assignment. Configures the E0MDC pin for its primary function or general purpose I/O. 0 E0MDC pin configured for GPIO (PFECI2C2) 1 E0MDC pin configured for E0MDC function

Table 15-27. PAR_FEC/I2C/IRQ Field Descriptions (Continued)

Bits	Name	Description
11	PAR_E17	FEC1 7-wire mode pin assignment. Configures all the FEC1 7-wire mode pins (port FEC1H pins, except for E1CRS) for their primary functions or general purpose I/O. 0 All FEC1 7-wire mode pins configured for GPIO (PFEC1H[7:1]) 1 All FEC1 7-wire mode pins configured for their primary functions
10	PAR_E1MII	FEC1 MII mode-only pin assignment. Configures all the FEC1 MII mode-only pins (port FEC1L pins, plus E1CRS) for their primary functions or general purpose I/O. 0 All FEC1 MII mode-only pins configured for GPIO (PFEC1H0 and PFEC1L[7:0]) 1 All FEC1 MII mode-only pins configured for their primary functions
9–8	PAR_E1MDIO	FEC1 MDIO pin assignment. Configures the E1MDIO pin for one of its primary functions. There is no GPIO capability on this pin. 0X Reserved 10 E1MDIO pin configured for I2C SDA function 11 E1MDIO pin configured for FEC1 E1MDIO function
7–6	PAR_E1MDC	FEC1 MDC pin assignment. Configures the E1MDC pin for one of its primary functions. There is no GPIO capability on this pin. 0X Reserved 10 E1MDC pin configured for I2C SCL function 11 E1MDC pin configured for FEC1 MDC function
5–4	—	Reserved, should be cleared.
3	PAR_SDA	SDA Pin Assignment. Configures the SDA pin for its primary function or general purpose I/O. 0 SDA pin configured for general purpose input (PFECI2C1) 1 SDA pin configured for SDA function
2	PAR_SCL	SCL Pin Assignment. Configures the SCL pin for its primary function or general purpose I/O. 0 SCL pin configured for GPIO (PFECI2C0) 1 SCL pin configured for SCL function
1	PAR_IRQ6	$\overline{\text{IRQ6}}$ Pin Assignment. Configures the $\overline{\text{IRQ6}}$ pin for one of its primary functions. 0 Reserved 1 $\overline{\text{IRQ6}}$ pin configured for $\overline{\text{IRQ6}}$ function Note that GPIO is obtained on the $\overline{\text{IRQ6}}$ pin by (1) writing a 1 to PAR_IRQ6 and (2) disabling the IRQ6 function in the EPORT module.
0	PAR_IRQ5	$\overline{\text{IRQ5}}$ Pin Assignment. Configures the $\overline{\text{IRQ5}}$ pin for one of its primary functions. 0 Reserved 1 $\overline{\text{IRQ5}}$ pin configured for $\overline{\text{IRQ5}}$ function Note that GPIO is obtained on the $\overline{\text{IRQ5}}$ pin by (1) writing a 1 to PAR_IRQ5 and (2) disabling the IRQ5 function in the EPORT module.

15.3.2.9 PCI Grant Pin Assignment Register (PAR_PCIBG)

The PAR_PCIBG register controls the functions of the PCI grant pins. The PAR_PCIBG register is read/write.

	15	14	13	12	11	10	9	8	7	6	5	4	3	2	1	0
R	0	0	0	0	0	0	PAR_ PCIBG4		PAR_ PCIBG3		PAR_ PCIBG2		PAR_ PCIBG1		PAR_ PCIBG0	
W																
Reset	0	0	0	0	0	0	0	0	0	0	0	0	0	0	0	0
Reg Addr	MBAR + 0xA48 (PAR_PCIBG)															

Figure 15-26. PCI Grant Pin Assignment Register (PAR_PCIBG)

Table 15-28. PAR_PCIBG Field Descriptions

Bits	Name	Description
15–10	—	Reserved, should be cleared.
9–8	PAR_ PCIBG4	PCIBG4 pin assignment. Configures the PCIBG4 pin for one of its primary functions or GPIO. 0X PCIBG4 pin configured for general purpose I/O (PPCIGNT4) 10 PCIBG4 pin configured for FlexBus TBST function 11 PCIBG4 pin configured for PCIBG4 function
7–6	PAR_ PCIBG3	PCIBG3 pin assignment. Configures the PCIBG3 pin for one of its primary functions or GPIO. 0X PCIBG3 pin configured for general purpose I/O (PPCIGNT3) 10 PCIBG3 pin configured for GP timer TOUT3 function 11 PCIBG3 pin configured for PCIBG3 function
5–4	PAR_ PCIBG2	PCIBG2 pin assignment. Configures the PCIBG2 pin for one of its primary functions or GPIO. 0X PCIBG2 pin configured for general purpose I/O (PPCIGNT2) 10 PCIBG2 pin configured for GP timer TOUT2 function 11 PCIBG2 pin configured for PCIBG2 function
3–2	PAR_ PCIBG1	PCIBG1 pin assignment. Configures the PCIBG1 pin for one of its primary functions or GPIO. 0X PCIBG1 pin configured for general purpose I/O (PPCIGNT1) 10 PCIBG1 pin configured for GP timer TOUT1 function 11 PCIBG1 pin configured for PCIBG1 function
1–0	PAR_ PCIBG0	PCIBG0 pin assignment. Configures the PCIBG0 pin for one of its primary functions or GPIO. 0X PCIBG0 pin configured for general purpose I/O (PPCIGNT0) 10 PCIBG0 pin configured for GP timer TOUT0 function 11 PCIBG0 pin configured for PCIBG0 function

15.3.2.10 PCI Request Pin Assignment Register (PAR_PCIBR)

The PAR_PCIBR controls the functions of the PCI request pins. The PAR_PCIBR is read/write.

	15	14	13	12	11	10	9	8	7	6	5	4	3	2	1	0
R	0	0	0	0	0	0	PAR_PCI BR4		PAR_PCI BR3		PAR_PCIB R2		PAR_PCI BR1		PAR_PCIB R0	
W																
Reset	0	0	0	0	0	0	0	0	0	0	0	0	0	0	0	0
Reg Addr	MBAR + 0xA4A (PAR_PCIBR)															

Figure 15-27. PCI Request Pin Assignment Register (PAR_PCIBR)

Table 15-29. PAR_PCIBR Field Descriptions

Bits	Name	Description
15–10	—	Reserved, should be cleared. Writes have no effect and terminate without transfer error exception
9–8	PAR_PCIBR4	PCIBR4 Pin Assignment. Configures the PCIBR4 pin for one of its primary functions or GPIO. 0X PCIBR4 pin configured for general purpose I/O (PPCIREQ4) 10 PCIBR4 pin configured for IRQ4 function 11 PCIBR4 pin configured for PCIBR4 function
7–6	PAR_PCIBR3	PCIBR3 Pin Assignment. Configures the PCIBR3 pin for one of its primary functions or GPIO. 0X PCIBR3 pin configured for general purpose I/O (PPCIREQ3) 10 PCIBR3 pin configured for GP timer TIN3 function 11 PCIBR3 pin configured for PCIBR3 function
5–4	PAR_PCIBR2	PCIBR2 Pin Assignment. Configures the PCIBR2 pin for one of its primary functions or GPIO. 0X PCIBR2 pin configured for general purpose I/O (PPCIREQ2) 10 PCIBR2 pin configured for GP timer TIN2 function 11 PCIBR2 pin configured for PCIBR2 function
3–2	PAR_PCIBR1	PCIBR1 Pin Assignment. Configures the PCIBR1 pin for one of its primary functions or GPIO. 0X PCIBR1 pin configured for general purpose I/O (PPCIREQ1) 10 PCIBR1 pin configured for GP timer TIN1 function 11 PCIBR1 pin configured for PCIBR1 function
1–0	PAR_PCIBR0	PCIBR0 Pin Assignment. Configures the PCIBR0 pin for one of its primary functions or GPIO. 0X PCIBR0 pin configured for general purpose I/O (PPCIREQ0) 10 PCIBR0 pin configured for GP timer TIN0 function 11 PCIBR0 pin configured for PCIBR0 function

15.3.2.11 PSC3 Pin Assignment Register (PAR_PSC3)

The PAR_PSC3 register controls the functions of the PSC3 pins. The PAR_PSC3 register is read/write.

	7	6	5	4	3	2	1	0
R	PAR_CTS3		PAR_RTS3		PAR_RXD3	PAR_TXD3	0	0
W								
Reset	0	0	0	0	0	0	0	0
Reg Addr	MBAR + 0xA4C (PAR_PSC3)							

Figure 15-28. PSC3 Pin Assignment Register (PAR_PSC3)

Table 15-30. PAR_PSC3 Descriptions

Bits	Name	Description
7–6	PAR_CTS3	PSC3CTS pin assignment. Configures the PSC3CTS pin for one of its primary functions or general purpose I/O. 0X PSC3CTS pin configured for general purpose I/O (PPSC3PSC27) 10 PSC3CTS pin configured for PSC3BCLK function 11 PSC3CTS pin configured for PSC3CTS function
5–4	PAR_RTS3	PSC3RTS pin assignment. Configures the PSC3RTS pin for one of its primary functions or general purpose I/O. 0X PSC3RTS pin configured for general purpose I/O (PPSC3PSC26) 10 PSC3RTS pin configured for PSC3FSYNC function 11 PSC3RTS pin configured for PSC3RTS function
3	PAR_RXD3	PSC3RXD pin assignment. Configures the PSC3RXD pin for its primary function or general purpose I/O. 0 PSC3RXD pin configured for general purpose I/O (PPSC3PSC25) 1 PSC3RXD pin configured for PSC3RXD function
2	PAR_TXD3	PSC3TXD pin assignment. Configures the PSC3TXD pin for its primary function or general purpose I/O. 0 PSC3TXD pin configured for general purpose I/O (PPSC3PSC24) 1 PSC3TXD pin configured for PSC3TXD function
1–0	—	Reserved, should be cleared.

15.3.2.12 PSC2 Pin Assignment Register (PAR_PSC2)

The PAR_PSC2 register controls the functions of the PSC2 pins. The PAR_PSC2 register is read/write.

	7	6	5	4	3	2	1	0
R	PAR_CTS2		PAR_RTS2		PAR_RXD2	PAR_TXD2	0	0
W								
Reset	0	0	0	0	0	0	0	0
Reg Addr	MBAR + 0xA4D (PAR_PSC2)							

Figure 15-29. PSC2 Pin Assignment Register (PAR_PSC2)

Table 15-31. PAR_PSC2 Descriptions

Bits	Name	Description
7–6	PAR_CTS2	PSC2CTS pin assignment. Configures the PSC2CTS pin for one of its primary functions or general purpose I/O. 00 PSC2CTS pin configured for general purpose I/O (PPSC3PSC23) 01 Reserved 10 PSC2CTS pin configured for PSC2BCLK function 11 PSC2CTS pin configured for PSC2CTS function
5–4	PAR_RTS2	PSC2RTS pin assignment. Configures the PSC2RTS pin for one of its primary functions or general purpose I/O. 00 PSC2RTS pin configured for general purpose I/O (PPSC3PSC22) 01 Reserved 10 PSC2RTS pin configured for PSC2FSYNC function 11 PSC2RTS pin configured for PSC2RTS function
3	PAR_RXD2	PSC2RXD pin assignment. Configures the PSC2RXD pin for its primary function or general purpose I/O. 0 PSC2RXD pin configured for general purpose I/O (PPSC3PSC21) 1 PSC2RXD pin configured for PSC2RXD function
2	PAR_TXD2	PSC2TXD pin assignment. Configures the PSC2TXD pin for its primary function or general purpose I/O. 0 PSC2TXD pin configured for general purpose I/O (PPSC3PSC20) 1 PSC2TXD pin configured for PSC2TXD function
1–0	—	Reserved, should be cleared.

15.3.2.13 PSC1 Pin Assignment Register (PAR_PSC1)

The PAR_PSC1 register controls the functions of the PSC1 pins. The PAR_PSC1 register is read/write.

	7	6	5	4	3	2	1	0
R	PAR_CTS1		PAR_RTS1		PAR_RXD1	PAR_TXD1	0	0
W								
Reset	0	0	0	0	0	0	0	0
Reg Addr	MBAR + 0xA4E (PAR_PSC1)							

Figure 15-30. PSC1 Pin Assignment Register (PAR_PSC1)

Table 15-32. PAR_PCS1 Descriptions

Bits	Name	Description
7–6	PAR_CTS1	<p>$\overline{\text{PSC1CTS}}$ pin assignment. Configures the $\overline{\text{PSC1CTS}}$ pin for one of its primary functions or general purpose I/O.</p> <p>0X $\overline{\text{PSC1CTS}}$ pin configured for general purpose I/O (PPSC1PSC07)</p> <p>10 $\overline{\text{PSC1CTS}}$ pin configured for PSC1BCLK function</p> <p>11 $\overline{\text{PSC1CTS}}$ pin configured for PSC1CTS function</p>
5–4	PAR_RTS1	<p>$\overline{\text{PSC1RTS}}$ pin assignment. Configures the $\overline{\text{PSC1RTS}}$ pin for one of its primary functions or general purpose I/O.</p> <p>0X $\overline{\text{PSC1RTS}}$ pin configured for general purpose I/O (PPSC1PSC06)</p> <p>10 $\overline{\text{PSC1RTS}}$ pin configured for PSC1FSYNC function</p> <p>11 $\overline{\text{PSC1RTS}}$ pin configured for PSC1RTS function</p>
3	PAR_RXD1	<p>PSC1RXD Pin Assignment. Configures the PSC1RXD pin for its primary function or general purpose I/O.</p> <p>0 PSC1RXD pin configured for general purpose I/O (PPSC1PSC05)</p> <p>1 PSC1RXD pin configured for PSC1RXD function</p>
2	PAR_TXD1	<p>PSC1TXD Pin Assignment. Configures the PSC1TXD pin for its primary function or general purpose I/O.</p> <p>0 PSC1TXD pin configured for general purpose I/O (PPSC1PSC04)</p> <p>1 PSC1TXD pin configured for PSC1TXD function</p>
1–0	—	Reserved, should be cleared.

15.3.2.14 PSC0 Pin Assignment Register (PAR_PSC0)

The PAR_PSC0 register controls the functions of the PSC0 pins. The PAR_PSC0 register is read/write.

	7	6	5	4	3	2	1	0
R	PAR_CTS0		PAR_RTS0		PAR_RXD0	PAR_TXD0	0	0
W								
Reset	0	0	0	0	0	0	0	0
Reg Addr	MBAR + 0xA4F (PAR_PSC0)							

Figure 15-31. PSC0 Pin Assignment Register (PAR_PSC0)

Table 15-33. PAR_PCS0 Descriptions

Bits	Name	Description
7–6	PAR_CTS0	PSC0CTS pin assignment. Configures the PSC0CTS pin for one of its primary functions or general purpose I/O. 0X PSC0CTS pin configured for general purpose I/O (PPSC1PSC03) 10 PSC0CTS pin configured for PSC0BCLK function 11 PSC0CTS pin configured for PSC0CTS function
5–4	PAR_RTS0	PSC0RTS pin assignment. Configures the PSC0RTS pin for one of its primary functions or general purpose I/O. 0X PSC0RTS pin configured for general purpose I/O (PPSC1PSC02) 10 PSC0RTS pin configured for PSC0FSYNC function 11 PSC0RTS pin configured for PSC0RTS function
3	PAR_RXD0	PSC0RXD Pin Assignment. Configures the PSC0RXD pin for its primary function or general purpose I/O. 0 PSC0RXD pin configured for general purpose I/O (PPSC1PSC01) 1 PSC0RXD pin configured for PSC0RXD function
2	PAR_TXD0	PSC0TXD Pin Assignment. Configures the PSC0TXD pin for its primary function or general purpose I/O. 0 PSC0TXD pin configured for general purpose I/O (PPSC1PSC00) 1 PSC0TXD pin configured for PSC0TXD function
1–0	—	Reserved, should be cleared.

15.3.2.15 DSPI Pin Assignment Register (PAR_DSPI)

The PAR_DSPI register controls the functions of MCF547x DSPI pins. The PAR_DSPI register is read/write.

	15	14	13	12	11	10	9	8	7	6	5	4	3	2	1	0
R	0	0	0	PAR_	PAR_	PAR_	PAR_	PAR_	PAR_	PAR_	PAR_	PAR_	PAR_	PAR_	PAR_	PAR_
W				CS5	CS3	CS2	CS0			SCK		SIN			SOUT	
Reset	0	0	0	0	0	0	0	0	0	0	0	0	0	0	0	0
Reg Addr	MBAR + 0xA50 (PAR_DSPI)															

Figure 15-32. DSPI Pin Assignment Register (PAR_DSPI)

Table 15-34. PAR_DSPI Descriptions

Bits	Name	Description
15–13	—	Reserved, should be cleared.
12	PAR_CS5	DSPICS5/ $\overline{\text{PCSS}}$ pin assignment. Configures the DSPICS5/ $\overline{\text{PCSS}}$ pin for its primary function or general purpose I/O. 0 DSPICS5/ $\overline{\text{PCSS}}$ pin configured for general purpose I/O (PDSP16) 1 DSPICS5/ $\overline{\text{PCSS}}$ pin configured for DSPICS5/ $\overline{\text{PCSS}}$ function
11–10	PAR_CS3	DSPICS3 pin assignment. Configures the DSPICS3 pin for its primary function or general purpose I/O. 00 DSPICS3 pin configured for general purpose I/O (PDSP15) 01 Reserved 10 DSPICS3 pin configured for GP timer TOUT3 function 11 DSPICS3 pin configured for DSPICS3 function
9–8	PAR_CS2	DSPICS2 pin assignment. Configures the DSPICS2 pin for its primary function or general purpose I/O. 00 DSPICS2 pin configured for general purpose I/O (PDSP14) 01 Reserved 10 DSPICS2 pin configured for GP timer TOUT2 function 11 DSPICS2 pin configured for DSPICS2 function
7–6	PAR_CS0	DSPICS0/ $\overline{\text{SS}}$ pin assignment. Configures the DSPICS0/ $\overline{\text{SS}}$ pin for its primary function or general purpose I/O. 00 DSPICS0/ $\overline{\text{SS}}$ pin configured for general purpose I/O (PDSP13) 01 DSPICS0/ $\overline{\text{SS}}$ pin configured for PSC3FSYNC data 10 DSPICS0/ $\overline{\text{SS}}$ pin configured for $\overline{\text{PSC3RTS}}$ function 11 DSPICS0/ $\overline{\text{SS}}$ pin configured for DSPICS0/ $\overline{\text{SS}}$ function
5–4	PAR_SCK	DSPISCK pin assignment. Configures the DSPISCK pin for its primary function or general purpose I/O. 00 DSPISCK pin configured for general purpose I/O (PDSP12) 01 DSPISCK pin configured for PSC3BCLK data 10 DSPISCK pin configured for PSC3CTS function 11 DSPISCK pin configured for DSPISCK function

Table 15-34. PAR_DSPI Descriptions (Continued)

Bits	Name	Description
3–2	PAR_SIN	DSPISIN pin assignment. Configures the DSPISIN pin for its primary function or general purpose I/O. 0X DSPISIN pin configured for general purpose I/O (PDSP11) 10 DSPISIN pin configured for PSC3RXD function 11 DSPISIN pin configured for DSPISIN function
1–0	PAR_SOUT	DSPISOUT pin assignment. Configures the DSPISOUT pin for its primary function or general purpose I/O. 0X DSPISOUT pin configured for general purpose I/O (PDSP10) 10 DSPISOUT pin configured for PSC3TXD function 11 DSPISOUT pin configured for DSPISOUT function

15.3.2.16 General Purpose Timer Pin Assignment Register (PAR_TIMER)

The PAR_TIMER register controls the functions of MCF547x general purpose timer pins. The PAR_TIMER register is read/write.

	7	6	5	4	3	2	1	0
R	0	0	PAR_TIN3		PAR_TOUT3	PAR_TIN2		PAR_TOUT2
W								
Reset	0	0	1	1	1	1	1	1
Reg Addr	MBAR + 0xA52 (PAR_TIMER)							

Figure 15-33. General Purpose Timer Pin Assignment Register (PAR_TIMER)

Table 15-35. PAR_TIMER Descriptions

Bits	Name	Description
7–6	—	Reserved, should be cleared.
5–4	PAR_TIN3	TIN3 pin assignment. Configures the TIN3 pin for its primary function 0X Reserved 10 TIN3 pin configured for $\overline{\text{IRQ3}}$ function 11 TIN3 pin configured for GP timer TIN3 function or general purpose input Note: General purpose input is obtained on the TIN3 pin by (1) writing 3 to the PAR_TIN3 field and (2) disabling the timer function in the general purpose timer module. General purpose output is not possible on the TIN3 pin.
3	PAR_TOUT3	TOUT3 pin assignment. Configures the TOUT3 pin for its primary function 0 Reserved 1 TOUT3 pin configured for GP timer TOUT3 function or general purpose output Note: General purpose output is obtained on the TOUT3 pin by (1) writing 1 to the PAR_TOUT3 field and (2) disabling the timer function in the general purpose timer module. General purpose input is not possible on the TOUT3 pin.

Table 15-35. PAR_TIMER Descriptions (Continued)

Bits	Name	Description
2–1	PAR_TIN2	TIN2 pin assignment. Configures the TIN2 pin for its primary function 0X Reserved 10 TIN2 pin configured for $\overline{\text{IRQ2}}$ function 11 TIN2 pin configured for GP timer TIN2 function or general purpose input Note: General purpose input is obtained on the TIN2 pin by (1) writing 3 to the PAR_TIN2 field and (2) disabling the timer function in the general purpose timer module. General purpose output is not possible on the TIN2 pin.
0	PAR_TOUT2	TOUT2 pin assignment. Configures the TOUT2 pin for its primary function 0 Reserved 1 TOUT2 pin configured for GP timer TOUT2 function or general purpose output Note: General purpose output is obtained on the TOUT2 pin by (1) writing 1 to the PAR_TOUT2 field and (2) disabling the timer function in the general purpose timer module. General purpose input is not possible on the TOUT2 pin.

NOTE

Explicit pin function assignment capability for the TIN1, TOUT1, TIN0, and TOUT0 pins is not needed in the GPIO module since these pins only have the primary timer functions and general purpose I/O. Switching between the primary timer functions and GPIO is handled by the general purpose timer module.

15.4 Functional Description

15.4.1 Overview

Initial pin function is determined during reset configuration. See Chapter 2, “Signal Descriptions,” for more details. Most pins are configured as general purpose I/O by default. The notable exceptions to this are FlexBus control pins. These pins are configured for their primary functions after reset. The pin assignment registers allow the user to select among various primary functions and general purpose I/O after reset.

Every general purpose I/O pin is individually configurable as an input or an output via a data direction register (PDDR_x). Every GPIO port has an output data register (PODR_x) and a pin data register (PPDSDR_x) to monitor and control the state of its pins. Data written to a PODR_x register is stored and then driven to the corresponding port x pins configured as outputs.

Reading a PODR_x register returns the current state of the register regardless of the state of the corresponding pins. Reading a PPDSDR_x register returns the current state of the corresponding pins when configured as general purpose I/O, regardless of whether the pins are inputs or outputs.

Every GPIO port has a PPDSDR_x register and a clear register (PCLRR_x) for setting or clearing individual bits in the PODR_x register.

The MCF547x GPIO module does not generate interrupt requests.



THIS PAGE INTENTIONALLY LEFT BLANK

Part III

On-Chip Integration

Part III describes on-chip integration for the MCF547x device. It includes descriptions of the system SRAM, SDRAM controller, PCI, FlexBus interface, SEC cryptography accelerator, and JTAG.

Contents

Part III contains the following chapters:

- Chapter 16, “32-Kbyte System SRAM,” describes the MCF547x on-chip system SRAM implementation. It covers general operations, configuration, and initialization.
- Chapter 17, “FlexBus,” describes data transfer operations, error conditions, and reset operations. It describes transfers initiated by the MCF547x and by an external master, and includes detailed timing diagrams showing the interaction of signals in supported bus operations.
- Chapter 18, “SDRAM Controller (SDRAMC),” describes configuration and operation of the synchronous DRAM controller component of the SIU. It includes a description of signals involved in DRAM operations, including chip select signals and their address, mask, and control registers.
- Chapter 19, “PCI Bus Controller,” details the operation of the PCI bus controller for the MCF547x.
- Chapter 20, “PCI Bus Arbiter Module,” describes the MCF547x PCI bus arbiter module, including timing for request and grant handshaking, the arbitration process, and the register in the PCI bus arbiter programming model.
- xChapter 21, “Integrated Security Engine (SEC),” provides an overview of the MCF547x security encryption controller.
- Chapter 22, “IEEE 1149.1 Test Access Port (JTAG),” describes configuration and operation of the MCF547x JTAG test implementation. It describes the use of JTAG instructions and provides information on how to disable JTAG functionality.



Chapter 16

32-Kbyte System SRAM

16.1 Introduction

This chapter explains the operation of the MCF547Xx 32-Kbyte system SRAM.

16.1.1 Block Diagram

The system SRAM is organized as four 8-Kbyte banks, each organized as 2048 × 32-bits. The four banks occupy a contiguous block of memory but can be optionally interleaved on long-word boundaries. When configured for interleaved access, each bank contains the data for long word address modulo {bank #} (e.g. bank 2 contains data for all long word address modulo 2 locations). [Figure 16-1](#) shows the SRAM organization in both linear and interleaved modes.

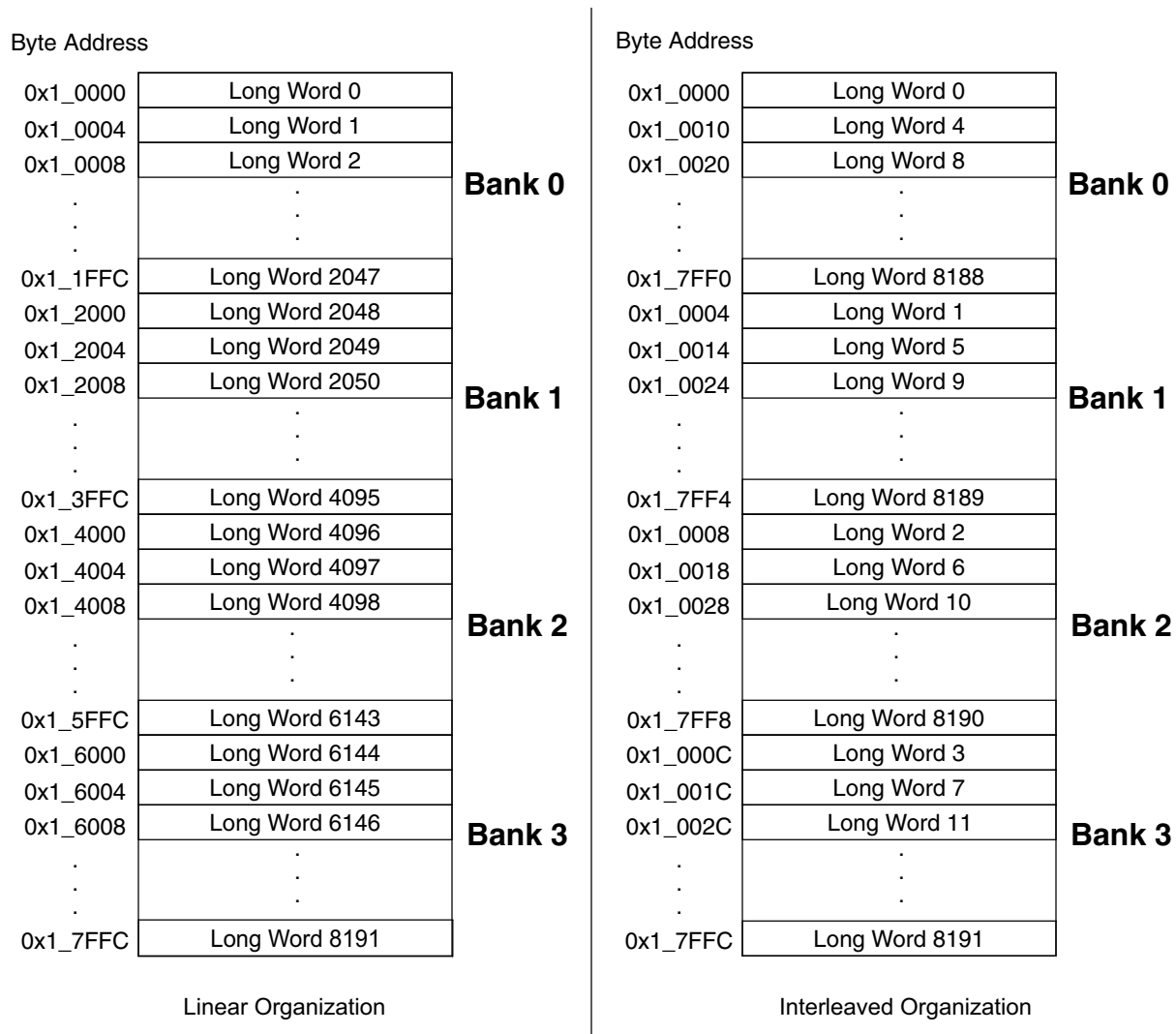


Figure 16-1. SRAM Organization

The system SRAM contents always reside at MBAR + 0x0001 0000; therefore, it can be relocated by changing the MBAR contents.

16.1.2 Features

The 32-Kbyte system SRAM is intended primarily as a fast scratch memory and data buffer for DMA and SEC processing, and as memory accessed through the shared bus by all system masters. The module features are the following:

- Four 8-Kbyte banks, each organized as 2048 × 32-bits
- Dedicated 32-bit data bus per bank
- Optionally interleaved along long-word boundaries under software control
- Single cycle access when accessed by the DMA
- Byte, word, and longword addressing capabilities
- Independent arbitration mechanism per bank

16.1.3 Overview

This module provides a general-purpose memory block that can be accessed by the masters in the system (ColdFire core, SEC, DMA, and PCI) via the shared internal system bus. The SRAM is also accessed directly (without going through the system bus) by the SEC and DMA. This allows a mechanism for the sharing of parameter data among the various masters as well as a dedicated fast scratch memory and data buffer for DMA and SEC processing tasks.

In order to maximize concurrent utilization, the system SRAM is organized as four banks. Each master is allocated a maximum transfer count and must give up access to the bank when its transfer count has been depleted. In this fashion, each master is given the opportunity to access each bank to prevent starvation of any given master. The transfer counts are configurable under software control for each master and each bank, so it can be optimized to maximize the SRAM utilization for specific tasks. Optionally, a master can be set to “own” a bank, whereby all other masters can access the bank only when the “own” master is not making accesses to the bank.

16.2 Memory Map/Register Definition

Table 16-1 shows the memory map of the system SRAM module. For more information about a particular register, refer to the description of the register in the following sections.

Table 16-1. System SRAM Memory Map

Address (MBAR +)	Name	Byte 0	Byte 1	Byte 2	Byte 3	Access
0x1_0000– 0x1_7FFC	SRAM Contents					R/W
0x1_FFC0	System SRAM Configuration Register	SSCR		Reserved		R/W
0x1_FFC4	Transfer Count Configuration Register	TCCR				R/W
0x1_FFC8	Transfer Count Configuration Register - DMA Read Channel	TCCRDR				R/W

Table 16-1. System SRAM Memory Map (Continued)

Address (MBAR +)	Name	Byte 0	Byte 1	Byte 2	Byte 3	Access
0x1_0000–0x1_7FFC	SRAM Contents					R/W
0x1_FFCC	Transfer Count Configuration Register - DMA Write Channel	TCCRDW				R/W
0x1_FFD0	Transfer Count Configuration Register - SEC	TCCRSEC				R/W

16.2.1 System SRAM Configuration Register (SSCR)

This register is used to define the base address of the system SRAM and whether to interleave the banks.

	31	30	29	28	27	26	25	24	23	22	21	20	19	18	17	16
R	0	0	0	0	0	0	0	0	0	0	0	0	0	0	0	INLV
W																
Reset	0	0	0	0	0	0	0	0	0	0	0	0	0	0	0	0
Reg Addr	MBAR + 0x1_FFCC															
	15	14	13	12	11	10	9	8	7	6	5	4	3	2	1	0
R	0	0	0	0	0	0	0	0	0	0	0	0	0	0	0	0
W																
Reset	0	0	0	0	0	0	0	0	0	0	0	0	0	0	0	0
Reg Addr	MBAR + 0x1_FFCC															

Figure 16-2. System SRAM Configuration Register (SSCR)

Each field is described in [Table 16-2](#).

Table 16-2. SSCR Register Field Descriptions

Bits	Name	Description
31–17	—	Reserved, should be cleared.
16	INLV	Interleave enable. Controls whether the banks are interleaved along longword boundaries or linear. 0 The four SRAM banks are not interleaved (linear). 1 The four SRAM banks are interleaved. SRAM bank # contains data for long word address modulo {bank #}
15–0	—	Reserved. Should be cleared.

16.2.2 Transfer Count Configuration Register (TCCR)

This register is used to configure the allocated maximum transfer count for each bank for the following masters: the ColdFire core, DMA, SEC, or PCI. This occurs as they access memory through the shared system bus. The DMA and the SEC can access the system SRAM either via the system bus or via their dedicated ports. Refer to sections 16.2.3 through 16.2.5.

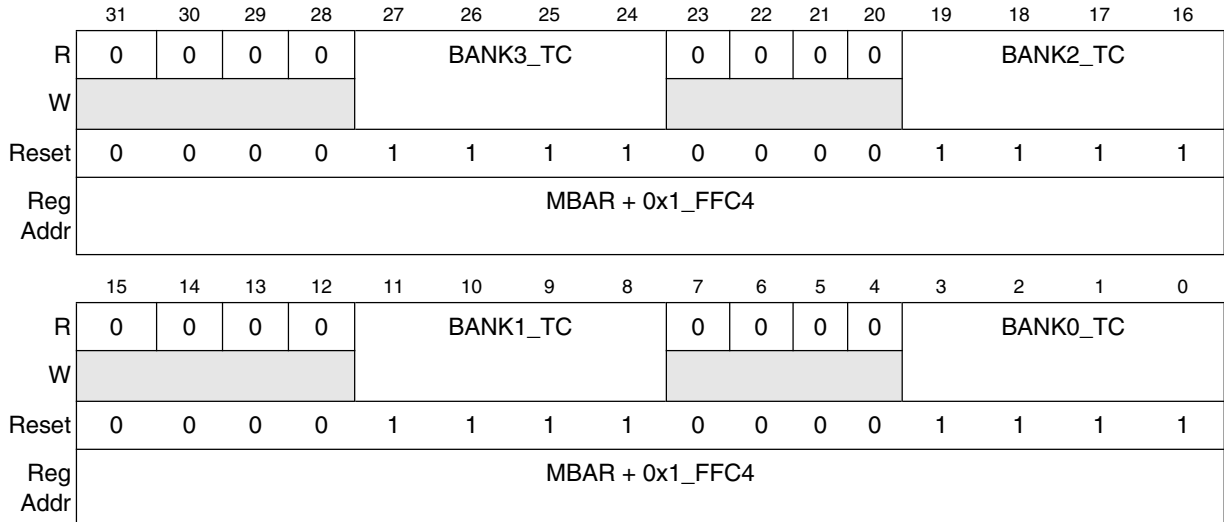


Figure 16-3. Transfer Count Configuration Register (TCCR)

Each field is described in the [Table 16-3](#).

Table 16-3. TCCR Register Field Descriptions

Bits	Name	Description
31–28	—	Reserved, should be cleared.
27–24	BANK3_TC	Bank three transfer count. This field indicates the maximum transfer count for bank 3. The master can make at most $4 * \{\text{field value}\}$ 32-bit transfers to/from bank 3 before it must wait for other masters to complete their transfers. If this field is programmed to “0” the master can “own” bank 3 for arbitrarily long transfers.
23–20	—	Reserved, should be cleared.
19–16	BANK2_TC	Bank two transfer count. This field indicates the maximum transfer count for bank 2. The master can make at most $4 * \{\text{field value}\}$ 32-bit transfers to/from bank 2 before it must wait for other masters to complete their transfers. If this field is programmed to “0” the master can “own” bank 2 for arbitrarily long transfers.
15–12	—	Reserved. Should be cleared.
11–8	BANK1_TC	Bank one transfer count. This field indicates the maximum transfer count for bank 1. The master can make at most $4 * \{\text{field value}\}$ 32-bit transfers to/from bank 1 before it must wait for other masters to complete their transfers. If this field is programmed to “0” the master can “own” bank 1 for arbitrarily long transfers.

Table 16-3. TCCR Register Field Descriptions (Continued)

Bits	Name	Description
7–4	—	Reserved. Should be cleared.
3–0	BANK0_TC	Bank zero transfer count. This field indicates the maximum transfer count for bank 0. The master can make at most 4 * {field value} 32-bit transfers to/from bank 0 before it must wait for other masters to complete their transfers. If this field is programmed to “0” the master can “own” bank 0 for arbitrarily long transfers.

16.2.3 Transfer Count Configuration Register—DMA Read Channel (TCCRDR)

This register is used to configure the allocated maximum transfer count for each bank for the DMA read channel as it accesses SRAM directly, without going through the system bus.

	31	30	29	28	27	26	25	24	23	22	21	20	19	18	17	16
R	0	0	0	0	BANK3_TC				0	0	0	0	BANK2_TC			
W																
Reset	0	0	0	0	1	1	1	1	0	0	0	0	1	1	1	1
Reg Addr	MBAR + 0x1_FFC8															
	15	14	13	12	11	10	9	8	7	6	5	4	3	2	1	0
R	0	0	0	0	BANK1_TC				0	0	0	0	BANK0_TC			
W																
Reset	0	0	0	0	1	1	1	1	0	0	0	0	1	1	1	1
Reg Addr	MBAR + 0x1_FFC8															

Figure 16-4. Transfer Count Configuration Register—DMA Read Channel (TCCRDR)

Each field is described in the table below.

Table 16-4. TCCRDR Register Field Descriptions

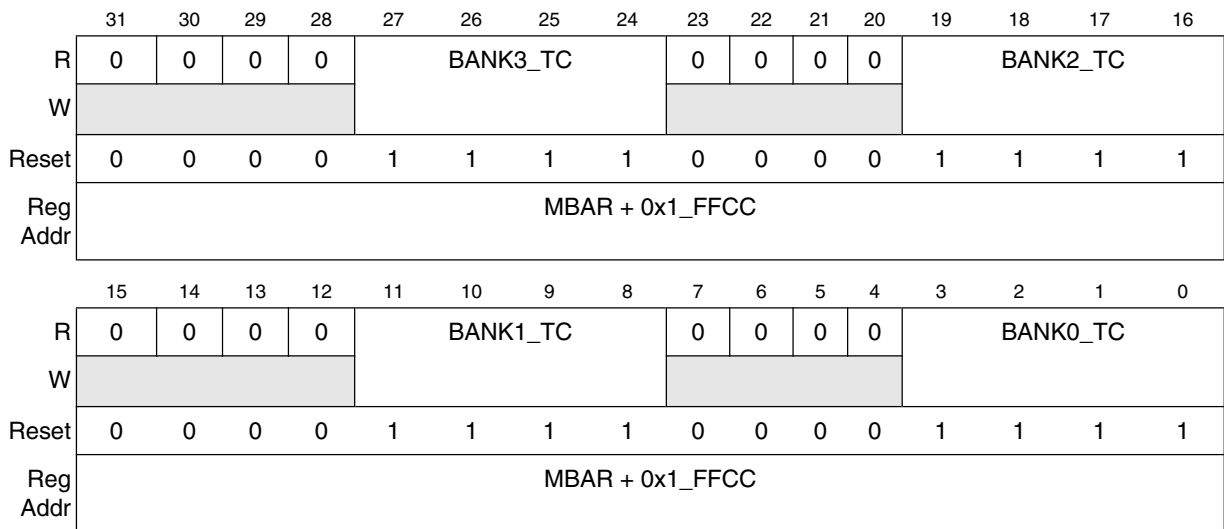
Bits	Name	Description
31–28	—	Reserved, should be cleared.
27–24	BANK3_TC	Bank three transfer count. This field indicates the maximum transfer count for bank 3. The DMA read channel can make at most 4 * {field value} 32-bit transfers from bank 3 before it must wait for other masters to complete their transfers. If this field is programmed to “0” the DMA read channel can “own” bank 3 for arbitrarily long transfers.
23–20	—	Reserved, should be cleared.
19–16	BANK2_TC	Bank two transfer count. This field indicates the maximum transfer count for bank 2. The DMA read channel can make at most 4 * {field value} 32-bit transfers from bank 2 before it must wait for other masters to complete their transfers. If this field is programmed to “0” the DMA read channel can “own” bank 2 for arbitrarily long transfers.

Table 16-4. TCCRDR Register Field Descriptions (Continued)

Bits	Name	Description
15–12	—	Reserved, should be cleared.
11–8	BANK1_TC	Bank one transfer count. This field indicates the maximum transfer count for bank 1. The DMA read channel can make at most 4 * {field value} 32-bit transfers from bank 1 before it must wait for other masters to complete their transfers. If this field is programmed to “0” the DMA read channel can “own” bank 1 for arbitrarily long transfers.
7–4	—	Reserved, should be cleared.
3–0	BANK0_TC	Bank zero transfer count. This field indicates the maximum transfer count for bank 0. The DMA read channel can make at most 4 * {field value} 32-bit transfers from bank 0 before it must wait for other masters to complete their transfers. If this field is programmed to “0” the DMA read channel can “own” bank 0 for arbitrarily long transfers.

16.2.4 Transfer Count Configuration Register— DMA Write Channel (TCCRDW)

This register is used to configure the allocated maximum transfer count for each bank of the DMA write channel as it accesses SRAM directly, without going through the system bus.



**Figure 16-5. Transfer Count Configuration Register—
DMA Write Channel (TCCRDW)**

Each field is described in the table below.

Table 16-5. TCCRDW Register Field Descriptions

Bits	Name	Description
31–28	—	Reserved, should be cleared.
27–24	BANK3_TC	Bank three transfer count. This field indicates the maximum transfer count for bank 3. The DMA write channel can make at most 4 * {field value} 32-bit transfers to bank 3 before it must wait for other masters to complete their transfers. If this field is programmed to “0” the DMA write channel can “own” bank 3 for arbitrarily long transfers.

Table 16-5. TCCRDW Register Field Descriptions (Continued)

Bits	Name	Description
23–20	—	Reserved, should be cleared.
19–16	BANK2_TC	Bank two transfer count. This field indicates the maximum transfer count for bank 2. The DMA write channel can make at most 4 * {field value} 32-bit transfers to bank 2 before it must wait for other masters to complete their transfers. If this field is programmed to “0” the DMA write channel can “own” bank 2 for arbitrarily long transfers.
15–12	—	Reserved, should be cleared.
11–8	BANK1_TC	Bank one transfer count. This field indicates the maximum transfer count for bank 1. The DMA write channel can make at most 4 * {field value} 32-bit transfers to bank 1 before it must wait for other masters to complete their transfers. If this field is programmed to “0” the DMA write channel can “own” bank 1 for arbitrarily long transfers.
7–4	—	Reserved, should be cleared.
3–0	BANK0_TC	Bank zero transfer count. This field indicates the maximum transfer count for bank 0. The DMA write channel can make at most 4 * {field value} 32-bit transfers to bank 0 before it must wait for other masters to complete their transfers. If this field is programmed to “0” the DMA write channel can “own” bank 0 for arbitrarily long transfers.

16.2.5 Transfer Count Configuration Register—SEC (TCCRSEC)

This register is used to configure the allocated maximum transfer count for each bank for the SEC as it accesses SRAM directly, without going through the system bus.

	31	30	29	28	27	26	25	24	23	22	21	20	19	18	17	16
R	0	0	0	0	BANK3_TC				0	0	0	0	BANK2_TC			
W	████████				████████				████████				████████			
Reset	0	0	0	0	1	1	1	1	0	0	0	0	1	1	1	1
Reg Addr	MBAR + 0x1_FFD0															
	15	14	13	12	11	10	9	8	7	6	5	4	3	2	1	0
R	0	0	0	0	BANK1_TC				0	0	0	0	BANK0_TC			
W	████████				████████				████████				████████			
Reset	0	0	0	0	1	1	1	1	0	0	0	0	1	1	1	1
Reg Addr	MBAR + 0x1_FFD0															

Figure 16-6. Transfer Count Configuration Register—SEC (TCCRSEC)

Each field is described in the table below.

Table 16-6. TCCRSEC Register Field Descriptions

Bits	Name	Description
31–28	—	Reserved, should be cleared.
27–24	BANK3_TC	Bank three transfer count. This field indicates the maximum transfer count for bank 3. The SEC can make at most $4 * \{\text{field value}\}$ 32-bit transfers to/from bank 3 before it must wait for other masters to complete their transfers. If this field is programmed to “0” the SEC can “own” bank 3 for arbitrarily long transfers.
23–20	—	Reserved, should be cleared.
19–16	BANK2_TC	Bank two transfer count. This field indicates the maximum transfer count for bank 2. The SEC can make at most $4 * \{\text{field value}\}$ 32-bit transfers to/from bank 2 before it must wait for other masters to complete their transfers. If this field is programmed to “0” the SEC can “own” bank 2 for arbitrarily long transfers.
15–12	—	Reserved, should be cleared.
11–8	BANK1_TC	Bank one transfer count. This field indicates the maximum transfer count for bank 1. The SEC can make at most $4 * \{\text{field value}\}$ 32-bit transfers to/from bank 1 before it must wait for other masters to complete their transfers. If this field is programmed to “0” the SEC can “own” bank 1 for arbitrarily long transfers.
7–4	—	Reserved, should be cleared.
3–0	BANK0_TC	Bank zero transfer count. This field indicates the maximum transfer count for bank 0. The SEC can make at most $4 * \{\text{field value}\}$ 32-bit transfers to/from bank 0 before it must wait for other masters to complete their transfers. If this field is programmed to “0” the SEC can “own” bank 0 for arbitrarily long transfers.

16.3 Functional Description

The system SRAM decodes the addresses for all four banks to determine which master is trying to access which bank. The system SRAM module provides a bus arbitration mechanism for granting access of each bank to each master. All masters simply request a data transfer and the SRAM grants a specified cycle count to the appropriate master. The arbitration is overlapped with the address phase of SRAM transfers and therefore imposes no performance penalty or overhead.

The current master pointer for each bank is determined as shown in [Figure 16-7](#). The current master pointer transitions to another master when the current master’s maximum transfer count is exceeded, or the current master is idle and another master requests access to the bank. Otherwise, the current master pointer remains unchanged.

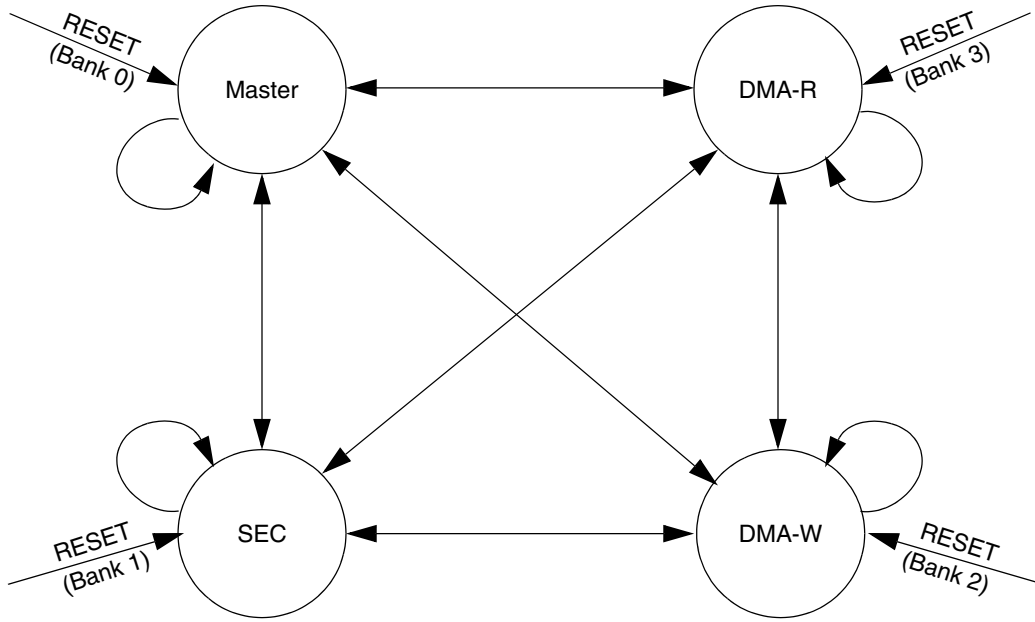


Figure 16-7. SRAM Arbitration



THIS PAGE INTENTIONALLY LEFT BLANK

Chapter 17

FlexBus

17.1 Introduction

This chapter describes data transfer operations, error conditions, and reset operations. It describes transfers initiated by the MCF547x and includes detailed timing diagrams showing the interaction of signals in supported bus operations.

NOTE

Unless otherwise noted, in this chapter “clock” refers to the CLKIN used for the bus.

17.1.1 Block Diagram

17.1.2 Overview

A multi-function external bus interface called the FlexBus interface controller is provided on the MCF547x with basic functionality of interfacing to slave-only devices up to a maximum bus frequency of 66 MHz. It can be directly connected to asynchronous or synchronous devices such as external boot ROMs, flash memories, gate-array logic, or other simple target (slave) devices with little or no additional circuitry. For asynchronous devices a simple chip-select based interface can be used.

The FlexBus interface has six general purpose chip-selects ($\overline{\text{FBCS}}[5:0]$). Chip-select $\overline{\text{FBCS}}0$ can be dedicated to boot ROM access and can be programmed to be byte (8 bits), word (16 bits), or longword (32 bits) wide. Control signal timing is compatible with common ROM / flash memories.

17.1.3 Features

The following list summarizes the key FlexBus features:

- Six independent, user-programmable chip-select signals ($\overline{\text{FBCS}}[5:0]$) that can interface with SRAM, PROM, EPROM, EEPROM, Flash, and other peripherals
- 8-, 16-, and 32-bit port sizes with configuration for multiplexed or non-multiplexed address and data buses
- Byte, word, and longword, and line sized transfers
- Programmable burst and burst-inhibited transfers selectable for each chip select and transfer direction
- Programmable address setup time with respect to the assertion of chip select
- Programmable address hold time with respect to the negation of chip select and transfer direction

17.1.4 Modes of Operation

The FlexBus interface is a configurable multiplexed bus that is set to one of four modes:

- Multiplexed 32-bit address and 32-bit data
- Multiplexed 32-bit address and 16-bit data (non-multiplexed 16-bit address and 16-bit data)
- Multiplexed 32-bit address and 8-bit data (non-multiplexed 24-bit address and 8-bit data)
- Non-multiplexed 32-bit address with 32-bit data

17.2 Byte Lanes

Figure 17-1 shows the byte lanes that external memory should be connected to and the sequential transfers for three port sizes. For example, an 8-bit memory should be connected to AD[31:24] ($\overline{\text{BE}}/\overline{\text{BWE}}0$). A longword transfer takes four transfers on AD[31:24], starting with the MSB and going to the LSB.

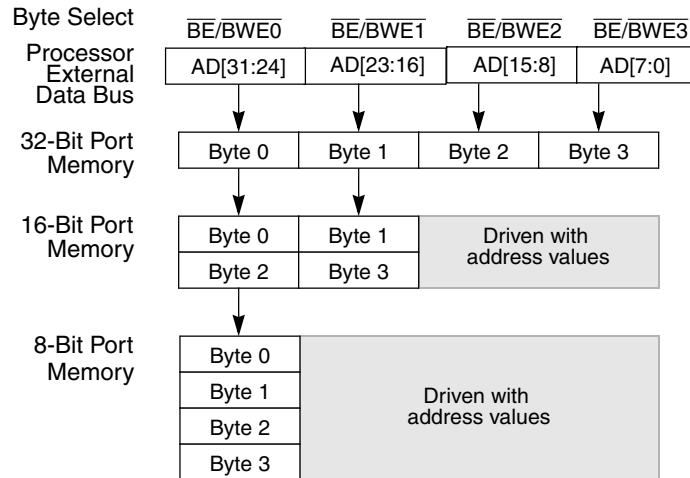


Figure 17-1. Connections for External Memory Port Sizes

17.3 Address Latch

Because the FlexBus uses a multiplexed address and data bus, external logic might be needed in some cases to capture the address phase as shown in Figure 17-2.

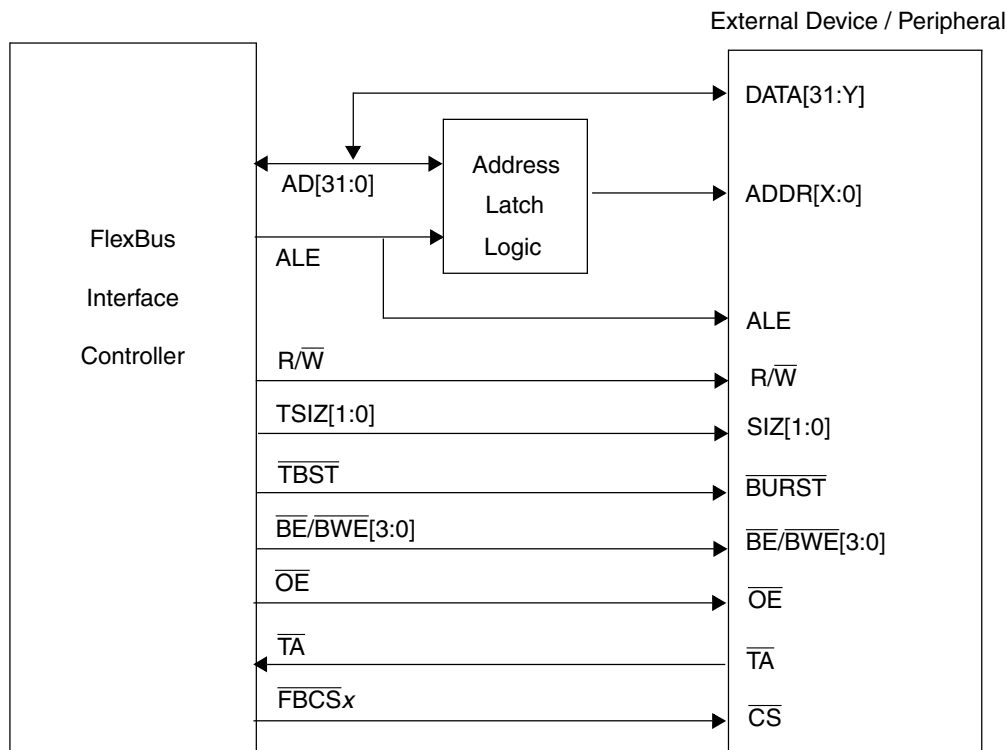


Figure 17-2. Multiplexed FlexBus Implementation

17.4 External Signals

This section describes the external signals that are involved in data transfer operations. [Table 17-1](#) summarizes the MCF547x FlexBus signals.

Table 17-1. FlexBus Signal Summary

Signal Name	Direction	Description	Reset State
$\overline{\text{FBCS}}[5:0]$	O	General purpose chip-selects	Hi-Z
AD[31:0]	I/O	Address / Data bus	Hi-Z
ALE	O	Address Latch Enable	Hi-Z
$\overline{\text{BE/BWE}}[3:0]$	O	Byte Selects	Hi-Z
$\overline{\text{OE}}$	O	Output Enable	Hi-Z
R/W	O	Read/Write. 1 = Read, 0 = Write	Hi-Z
$\overline{\text{TBST}}$	O	Burst Transfer indicator	Hi-Z
TSIZ[1:0]	O	Transfer Size	Hi-Z
$\overline{\text{TA}}$	I	Transfer Acknowledge	—

17.4.1 Chip-Select ($\overline{\text{FBCS}}[5:0]$)

The chip-select signal indicates which device is being selected. A particular chip-select asserts when the transfer address is within the device's address space as defined in the base and mask address registers, see [Section 17.5.2, "Chip-Select Registers."](#)

17.4.2 Address/Data Bus ($\text{AD}[31:0]$)

The $\text{AD}[31:0]$ bus carries address and data. The full 32-bit address is always driven on the first clock of a bus cycle (address phase). The number of byte lanes used to carry the data during the data phase is determined by the port size associated with the matching chip select.

In non-multiplexed mode, it is divided into sub-buses: address (output) and data (input/output). In multiplexed mode, it carries the address during the address phase and the data during the data phase. Note that in multiplexed mode and during the data phase, the address continues driving on the lower byte lanes if these lanes are not used to carry the data.

17.4.3 Address Latch Enable (ALE)

The assertion of ALE indicates that the MCF547x has begun a bus transaction and that the address and attributes are valid. ALE is asserted for one bus clock cycle. In multiplexed bus mode, ALE is used externally as an address latch enable to capture the address phase of the bus transfer, as shown in [Figure 17-2](#).

17.4.4 Read/Write ($\text{R}/\overline{\text{W}}$)

MCF547x drives the $\text{R}/\overline{\text{W}}$ signal to indicate the direction of the current bus operation. It is driven high during read bus cycles and driven low during write bus cycles.

17.4.5 Transfer Burst ($\overline{\text{TBST}}$)

Transfer Burst indicates that a burst transfer is in progress as driven by the MCF547x. A burst transfer can be 2 to 16 beats depending on $\text{TSIZ}[1:0]$ and the port size.

NOTE

When burst ($\overline{\text{TBST}} = 0$) and transfer size is 16 bytes ($\text{TSIZ} = 2'b11$) and the address is misaligned within the 16-byte boundary, the external device must be able to wrap around the address.

17.4.6 Transfer Size ($\text{TSIZ}[1:0]$)

For memory accesses, these signals, along with $\overline{\text{TBST}}$, indicate the data transfer size of the current bus operation. The FlexBus interface supports byte, word, and longword operand transfers and allows accesses to 8-, 16-, and 32-bit data ports.

For misaligned transfers, $\text{TSIZ}[1:0]$ indicate the size of each transfer. For example, if a longword access through a 32-bit port device occurs at a misaligned offset of 0x1, a byte is transferred first ($\text{TSIZ}[1:0] = 01$), a word is next transferred at offset 0x2 ($\text{TSIZ}[1:0] = 10$), then the final byte is transferred at offset 0x4 ($\text{TSIZ}[1:0] = 01$).

For aligned transfers larger than the port size, TSIZ[1:0] behaves as follows:

- If bursting is used, TSIZ[1:0] is driven to the size of transfer.
- If bursting is inhibited, TSIZ[1:0] first shows the size of the entire transfer and then shows the port size.

Table 17-2. Data Transfer Size

TSIZ[1:0]	Transfer Size
00	4 bytes (longword)
01	1 byte
10	2 bytes (word)
11	16 bytes (line)

For burst-inhibited transfers, TSIZ[1:0] changes with each ALE assertion to reflect the next transfer size. For transfers to port sizes smaller than the transfer size, TSIZ[1:0] indicates the size of the entire transfer on the first access and the size of the current port transfer on subsequent transfers. For example, for a longword write to an 8-bit port, TSIZ[1:0] = 2'b00 for the first transaction and 2'b01 for the next three transactions. If bursting is used and in the case of longword write to an 8-bit port, TSIZ[1:0] is driven to 2'b00 for the entire transfer.

17.4.7 Byte Selects ($\overline{\text{BE}}/\overline{\text{BWE}}[3:0]$)

The byte strobe ($\overline{\text{BE}}/\overline{\text{BWE}}[3:0]$) outputs indicate that data is to be latched or driven onto a byte of the data when driven low as shown in Table 17-1. $\overline{\text{BE}}/\overline{\text{BWE}}_n$ signals are asserted only to the memory bytes used during a read or write access.

17.4.8 Output Enable ($\overline{\text{OE}}$)

The output enable signal ($\overline{\text{OE}}$) is sent to the interfacing memory and/or peripheral to enable a read transfer. $\overline{\text{OE}}$ is asserted only when a chip select matches the current address decode.

17.4.9 Transfer Acknowledge ($\overline{\text{TA}}$)

This signal indicates that the external data transfer is complete. During a read cycle, when the processor recognizes $\overline{\text{TA}}$, it latches the data and then terminates the bus cycle. During a write cycle, when the processor recognizes $\overline{\text{TA}}$, the bus cycle is terminated.

If auto-acknowledge is disabled, the external device drives $\overline{\text{TA}}$ to terminate the bus transfer; if auto-acknowledge is enabled, the $\overline{\text{TA}}$ is generated internally after a specified wait states or the external device may assert external $\overline{\text{TA}}$ before the wait-state countdown, terminating the cycle early. The MCF547x negates $\overline{\text{FBCS}}_n$ a cycle after the last $\overline{\text{TA}}$ asserts. During read cycles, the peripheral must continue to drive data until $\overline{\text{TA}}$ is recognized. For write cycles, the processor continues to drive data one clock after $\overline{\text{FBCS}}_n$ is negated.

The number of wait states is determined either by internally programmed auto acknowledgement or by the external $\overline{\text{TA}}$ input. If the external $\overline{\text{TA}}$ is used, the peripheral has total control on the number of wait states.

NOTE

External devices should only assert $\overline{\text{TA}}$ while the $\overline{\text{FBCS}}_n$ signal to the external device is asserted.

17.5 Chip-Select Operation

Each chip-select has a dedicated set of the following registers for configuration and control:

- Chip-select address registers (CSARn) control the base address space of the chip-select. See “Chip-Select Address Registers (CSAR0–CSAR5)”, section 17.5.2.1.
- Chip-select mask registers (CSMRn) provide 16-bit address masking and access control. See “Chip-Select Mask Registers (CSMR0–CSMR5)”, section 17.5.2.2.
- Chip-select control registers (CSCRn) provide port size and burst capability indication, wait-state generation, address setup and hold times, and automatic acknowledge generation features. See “Chip-Select Control Registers (CSCR0–CSCR5)”, section 17.5.2.3.

$\overline{\text{FBCS0}}$ is a global chip-select after reset and provides re-locatable boot ROM capability.

17.5.1 General Chip-Select Operation

When a bus cycle is initiated, the MCF547x first compares its address with the base address and mask configurations programmed for chip-selects 0–5 (configured in CSCR0–CSCR5). If the driven address matches a programmed chip-select, the appropriate chip-select is asserted fulfilling the requirements as programmed in the respective configuration register.

17.5.1.1 8-, 16-, and 32-Bit Port Sizing

Static bus sizing is programmable through the port size bits, CSCR[PS]. See [Section 17.5.2.3, “Chip-Select Control Registers \(CSCR0–CSCR5\).”](#) Note that the MCF547x always drives 32-bit address on the AD bus in the first cycle regardless of the external device’s address size. The external device must connect its address lines to the appropriate AD bits starting from AD0 and upward. It must also connect its data lines to the AD bus starting from the AD31 and downward. No bit ordering is required when connecting address and data lines to the AD bus. For example, a 16-bit address/16-bit data device would connect its addr[15:0] to AD[15:0] and data[15:0] to AD[31:16]. See [Figure 17-6](#) for graphical connection.

17.5.1.2 Global Chip-Select Operation

$\overline{\text{FBCS0}}$, the global (boot) chip-select, allows address decoding for boot ROM before system initialization. Its operation differs from other external chip-select outputs after system reset.

After system reset, $\overline{\text{FBCS0}}$ is asserted for every external access. No other chip-select can be used until the valid bit, CSMR0[V], is set, at which point $\overline{\text{FBCS0}}$ functions as configured. After this, $\overline{\text{FBCS}}[5:1]$ can be used as well. At reset, the port size, and automatic acknowledge functions of the global chip-select are determined by the logic levels on the AD[2:0] signals. [Table 17-3](#), [Table 17-4](#), and [Table 17-5](#) list the various reset encodings for the configuration signals.

Table 17-3. AD4/FB_CONFIG Selection of Non-Multiplexed 32-bit Address/32-bit Data Mode

AD4	FlexBus Operating Mode
0	AD[31:0] used for data. PCIAD[31:0] used for address ¹
1	PCIAD[31:0] used for PCI bus. AD[31:0] used for both address and data.

¹ If the non-multiplexed 32-bit address/32-bit data mode is selected the PCI bus cannot be used.

Table 17-4. AD[2]/AA Automatic Acknowledge of Boot $\overline{\text{FBCS0}}$

AD[2]/AA	Boot $\overline{\text{FBCS0}}$ AA Configuration at Reset
0	Disabled
1	Enabled with 63 wait states

Table 17-5. AD[1:0]/PS[1:0], Port Size of Boot $\overline{\text{FBCS0}}$

AD[1:0]/PS[1:0]	Boot $\overline{\text{FBCS0}}$ Port Size at Reset
00	32-bit port
01	8-bit port
1x	16-bit port

17.5.2 Chip-Select Registers

The following tables describe in detail the registers and bit meanings for configuring chip-select operation. The chip-select controller register map is accessed relative to the memory base address register (MBAR). [Table 17-6](#) shows the chip-select register memory map. Reading unused or reserved locations terminates normally and returns zeros.

Table 17-6. Chip-Select Registers

Register Offset	[31:24]	[23:16]	[15:8]	[7:0]	ResetValue	Access ¹
0x0500	Chip-select address register—bank 0 (CSAR0)				0x0000_0000	R/W
0x0504	Chip-select mask register—bank 0 (CSMR0)				0x0000_0000	R/W
0x0508	Chip-select control register—bank 0 (CSCR0)				BSTW = 0 BSTR = 0 PS = AD[1:0] AA = AD[2] WS = 111111 WRAH = 11 RDAH = 11 ASET = 11 SWSEN = 0 SWS = 000000	R/W
0x050C	Chip-select address register—bank 1 (CSAR1)				0x0000_0000	R/W
0x0510	Chip-select mask register—bank 1 (CSMR1)				0x0000_0000	R/W
0x0514	Chip-select control register—bank 1 (CSCR1)				0x0000_0000	R/W
0x0518	Chip-select address register—bank 2 (CSAR2)				0x0000_0000	R/W
0x051C	Chip-select mask register—bank 2 (CSMR2)				0x0000_0000	R/W
0x0520	Chip-select control register—bank 2 (CSCR2)				0x0000_0000	R/W
0x0524	Chip-select address register—bank 3 (CSAR3)				0x0000_0000	R/W
0x0528	Chip-select mask register—bank 3 (CSMR3)				0x0000_0000	R/W

Table 17-6. Chip-Select Registers (Continued)

Register Offset	[31:24]	[23:16]	[15:8]	[7:0]	ResetValue	Access ¹
0x052C	Chip-select control register—bank 3 (CSCR3)				0x0000_0000	R/W
0x0530	Chip-select address register—bank 4 (CSAR4)				0x0000_0000	R/W
0x0534	Chip-select mask register—bank 4 (CSMR4)				0x0000_0000	R/W
0x0538	Chip-select control register—bank 4 (CSCR4)				0x0000_0000	R/W
0x053C	Chip-select address register—bank 5 (CSAR5)				0x0000_0000	R/W
0x0540	Chip-select mask register—bank 5 (CSMR5)				0x0000_0000	R/W
0x0544	Chip-select control register—bank 5 (CSCR5)				0x0000_0000	R/W

1 The access column indicates whether the corresponding register allows both read/write functionality (R/W), read-only functionality (R), or write-only functionality (W). A read access to a write-only register returns zeros. A write access to a read-only register has no effect.

2 Addresses not assigned to a register and undefined register bits are reserved for expansion. Write accesses to these reserved address spaces and reserved register bits have no effect.

17.5.2.1 Chip-Select Address Registers (CSAR0–CSAR5)

CSAR_n, [Figure 17-2](#), specify the chip-select base addresses.

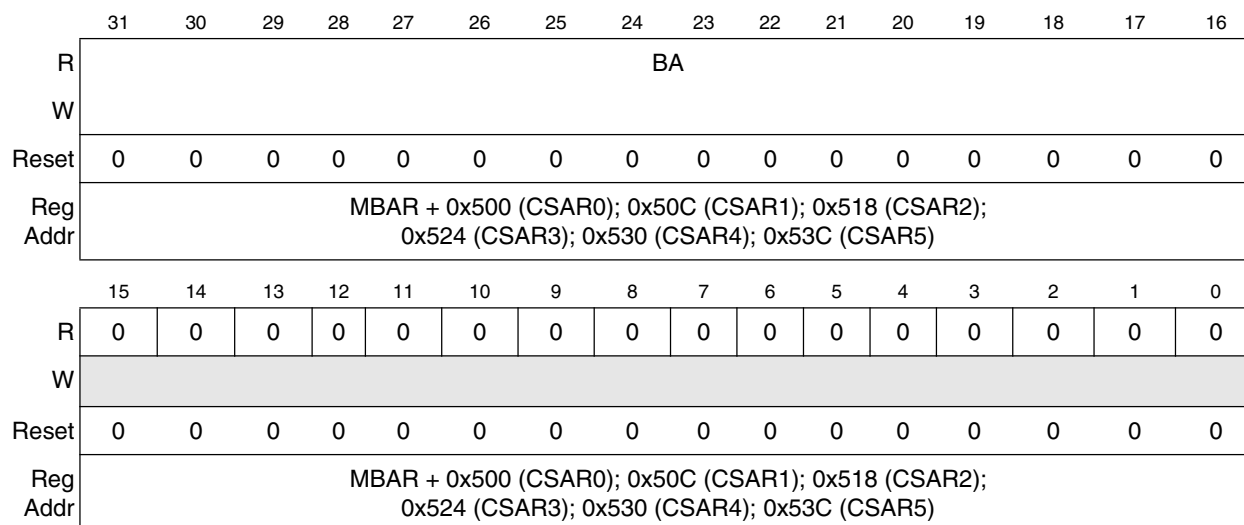


Figure 17-3. Chip-Select Address Registers (CSAR_n)

Table 17-7. CSAR_n Field Descriptions

Bits	Name	Description
31–16	BA	Base address. Defines the base address for memory dedicated to chip-select \overline{FBCS}_n . BA is compared to bits 31–16 on the internal address bus to determine if chip-select memory is being accessed.
15–0	—	Reserved, should be cleared

17.5.2.2 Chip-Select Mask Registers (CSMR0–CSMR5)

CSMR_n, Figure 17-3, are used to specify the address mask and allowable access types for the respective chip-selects.

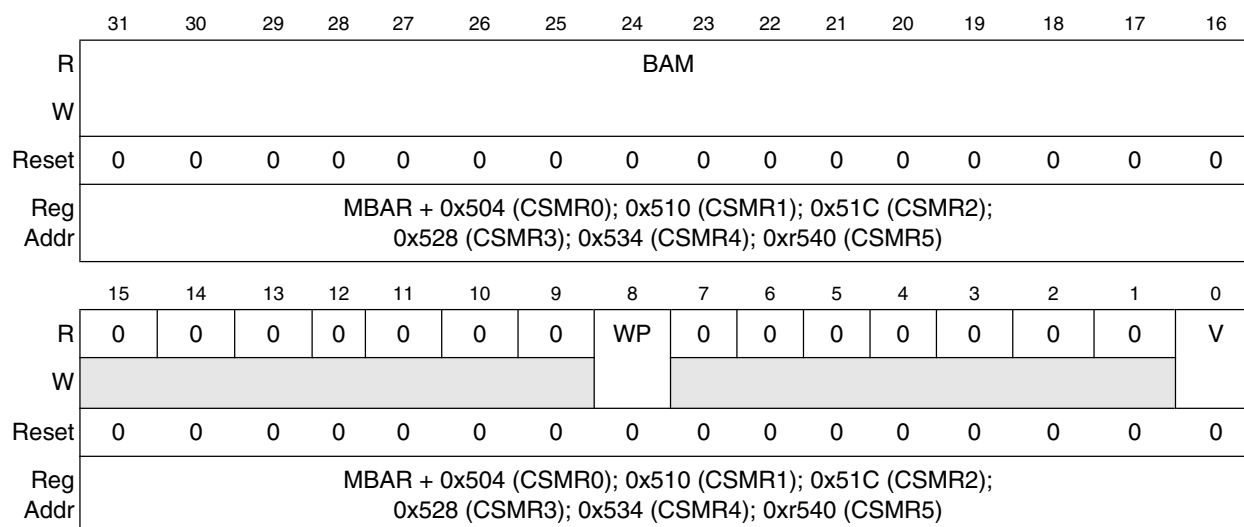


Figure 17-4. Chip-Select Mask Registers (CSMR_n)

Table 17-8 describes CSMR fields.

Table 17-8. CSMR_n Field Descriptions

Bits	Name	Description
31–16	BAM	Base address mask. Defines the chip-select block size by masking address bits. Setting a BAM bit causes the corresponding CSAR bit to be a “don’t care” in the decode. 0 Corresponding address bit is used in chip-select decode. 1 Corresponding address bit is a don’t care in chip-select decode. The block size for $\overline{\text{FBCS}}_n$ is 2^n ; $n = (\text{number of bits set in respective CSMR}[\text{BAM}]) + 16$. For example, if CSAR0 = 0x0000 and CSMR0[BAM] = 0x0008, $\overline{\text{FBCS}}_0$ would address two discontinuous 64-Kbyte memory blocks: one from 0x0000–0xFFFF and one from 0x8_0000–0x8_FFFF. Likewise, for $\overline{\text{FBCS}}_0$ to access 32 Mbytes of address space starting at location 0x0, $\overline{\text{FBCS}}_1$ must begin at the next byte after $\overline{\text{FBCS}}_0$ for a 16-Mbyte address space. Then CSAR0 = 0x0000, CSMR0[BAM] = 0x01FF, CSAR1 = 0x0200, and CSMR1[BAM] = 0x00FF.
15–9	—	Reserved, should be cleared
8	WP	Write protect. Controls write accesses to the address range in the corresponding CSAR. Attempting to write to the range of addresses for which CSAR _n [WP] = 1 results in the appropriate chip-select not being selected. No exception occurs. 0 Both read and write accesses are allowed 1 Only read accesses are allowed

Table 17-8. CSMR_n Field Descriptions (Continued)

Bits	Name	Description
7–1	—	Reserved, should be cleared
0	V	Valid bit. Indicates whether the corresponding CSAR, CSMR, and CSCR contents are valid. Programmed chip-selects do not assert until V bit is set (except for $\overline{\text{FBCS0}}$, which acts as the global chip-select). Reset clears each CSMR _n [V]. At reset, no chip-select other than $\overline{\text{FBCS0}}$ can be used until the CSMR0[V] is set. At which point $\overline{\text{FBCS}}[5:0]$ functions as configured. 0 chip-select invalid 1 chip-select valid

17.5.2.3 Chip-Select Control Registers (CSCR0–CSCR5)

Each CSCR_n, [Figure 17-4](#), controls the auto acknowledge, address setup and hold times, port size, burst capability, and activation of each chip-select. Note that to support the global chip-select, $\overline{\text{FBCS0}}$, the CSCR0 reset values differ from the other CSCRs. $\overline{\text{FBCS0}}$ allows address decoding for boot ROM before system initialization.

	31	30	29	28	27	26	25	24	23	22	21	20	19	18	17	16
R	SWS						0	0	SWSEN	—	ASET		RDAH		WRAH	
W																
Reset: CSCR0	0	0	0	0	0	0	0	0	0	0	1	1	1	1	1	1
Reset: CSCRs	0	0	0	0	0	0	0	0	0	0	0	0	0	0	0	0
Reg Addr	MBAR + 0x508 (CSCR0); 0x514 (CSCR1); 0x520 (CSCR2); 0x52C (CSCR3); 0x538 (CSCR4); 0x544 (CSCR5)															
	15	14	13	12	11	10	9	8	7	6	5	4	3	2	1	0
R	WS						0	AA	PS		BEM	BSTR	BSTW	0	0	0
W																
Reset: CSCR0	1	1	1	1	1	1	0	AD2	AD[1:0]		AD3	0	0	0	0	0
Reset: CSCRs	0	0	0	0	0	0	0	0	0	0	0	0	0	0	0	0
Reg Addr	MBAR + 0x508 (CSCR0); 0x514 (CSCR1); 0x520 (CSCR2); 0x52C (CSCR3); 0x538 (CSCR4); 0x544 (CSCR5)															

Figure 17-5. Chip-Select Control Registers (CSCR_n)

[Table 17-9](#) describes CSCR_n fields.

Table 17-9. CSCR_n Field Descriptions

Bits	Name	Description
31–26	SWS	Secondary wait states. The number of wait states inserted before an internal transfer acknowledge is generated for burst transfer except for the first termination, which is controlled by the wait state count. The secondary wait state is only used if the secondary wait state enable is set, otherwise the wait state value is used for all burst transfers.
25–24	—	Reserved, should be cleared
23	SWSEN	Secondary wait state enable. If set (SWSEN = 1), then the secondary wait state value is used to insert wait states before an internal transfer acknowledge is generated for burst transfer secondary terminations. If cleared (SWSEN = 0), then the wait state value is used to insert wait states before an internal transfer acknowledge is generated for all transfers.
22	—	Reserved, should be cleared
21–20	ASET	Address setup. This field controls the asserting of chip-select with respect to assertion of a valid address and attributes. Note that the address and attributes are considered valid at the same time ALE asserts. 00 Assert chip-select on rising clock edge after address is asserted. (Default $\overline{\text{FBCS}}_n$) 01 Assert chip-select on second rising clock edge after address is asserted. 10 Assert chip-select on third rising clock edge after address is asserted. 11 Assert chip-select on fourth rising clock edge after address is asserted. (Reset $\overline{\text{FBCS}}_0$)
19–18	RDAH	Read Address Hold or (Deselect). This field controls the address and attribute hold time after the termination during a read cycle that hits in the chip-select address space. The hold time only applies at the end of a transfer. Therefore, a burst transfer only has a hold time added after the last bus cycle. RDAH = 00; Hold address and attributes one cycle after $\overline{\text{FBCS}}_n$ negates on reads. (Default $\overline{\text{FBCS}}_n$) 01 Hold address and attributes two cycles after $\overline{\text{FBCS}}_n$ negates on reads. 10 Hold address and attributes three cycles after $\overline{\text{FBCS}}_n$ negates on reads. 11 Hold address and attributes four cycles after $\overline{\text{FBCS}}_n$ negates on reads. (Reset $\overline{\text{FBCS}}_0$)
17–16	WRAH	Write Address Hold or (Deselect). This field controls the address, data and attribute hold time after the termination of a write cycle that hits in the chip-select address space. The hold time only applies at the end of a transfer. Therefore, a burst transfer only has a hold time added after the last bus cycle. WRAH = 00; Hold address and attributes one cycle after $\overline{\text{FBCS}}_n$ negates on writes. (Default $\overline{\text{FBCS}}_n$) 01 Hold address and attributes two cycles after $\overline{\text{FBCS}}_n$ negates on writes. 10 Hold address and attributes three cycles after $\overline{\text{FBCS}}_n$ negates on writes. 11 Hold address and attributes four cycles after $\overline{\text{FBCS}}_n$ negates on writes. (Reset $\overline{\text{FBCS}}_0$)
15–10	WS	Wait states. The number of wait states inserted after $\overline{\text{FBCS}}_n$ asserts and before an internal transfer acknowledge is generated (WS = 0 inserts zero wait states, WS = 0x3F inserts 63 wait states). If AA = 0, $\overline{\text{TA}}$ must be asserted by the external system regardless of the number of wait states generated. In that case, the external transfer acknowledge ends the cycle. An external $\overline{\text{TA}}$ supersedes the generation of an internal $\overline{\text{TA}}$.
9	—	Reserved, should be cleared.

Table 17-9. CSCR_n Field Descriptions (Continued)

Bits	Name	Description
8	AA	Auto-acknowledge enable. Determines the assertion of the internal transfer acknowledge for accesses specified by the chip-select address. 0 No internal \overline{TA} is asserted. Cycle is terminated externally. 1 Internal \overline{TA} is asserted as specified by WS. Note that if AA = 1 for a corresponding \overline{FBCSn} and the external system asserts an external \overline{TA} before the wait-state countdown asserts the internal \overline{TA} , the cycle is terminated. Burst cycles increment the address bus between each internal termination.
7–6	PS	Port size. Specifies the width of the data port associated with each chip-select. It determines where data is driven during write cycles and where data is sampled during read cycles. 00 32-bit port size. Valid data sampled and driven on D[31:0] 01 8-bit port size. Valid data sampled and driven on D[31:24] 1x 16-bit port size. Valid data sampled and driven on D[31:16]
5	BEM	Byte enable mode. Specifies the byte enable operation. Certain SRAMs have byte enables that must be asserted during reads as well as writes. BEM can be set in the relevant CSCR to provide the appropriate mode of byte enable support in support of these SRAMs. 0 Neither \overline{BE} or \overline{BWE} is asserted for reads. \overline{BWE} is generated for data write only. 1 \overline{BE} is asserted for reads; \overline{BWE} is asserted for writes.
4	BSTR	Burst read enable. Specifies whether burst reads are used for memory associated with each \overline{FBCSn} . 0 Data exceeding the specified port size is broken into individual, port-sized non-burst reads. For example, a longword read from an 8-bit port is broken into four 8-bit reads. 1 Enables data burst reads larger than the specified port size, including longword reads from 8- and 16-bit ports and word reads from 8-bit ports.
3	BSTW	Burst write enable. Specifies whether burst writes are used for memory associated with each \overline{FBCSn} . 0 Break data larger than the specified port size into individual port-sized, non-burst writes. For example, a longword write to an 8-bit port takes four byte writes. 1 Enables burst write of data larger than the specified port size, including longword writes to 8 and 16-bit ports and word writes to 8-bit ports.
2–0	—	Reserved, should be cleared.

17.6 Functional Description

17.6.1 Data Transfer Operation

Data transfers between the MCF547x and other devices involve the following signals:

- Address / data bus (AD[31:0])
- Control signals (ALE and \overline{TA})
- \overline{FBCSn}
- \overline{OE}
- $\overline{BE}/\overline{BWE}[3:0]$
- Attribute signals (R/\overline{W} , \overline{TBST} , TSIZ[1:0])

The address and write data (AD[31:0]), R/\overline{W} , ALE, \overline{FBCSn} , and all attribute signals change on the rising edge of the clock. Read data is registered in the MCF547x on the rising edge of the clock.

The MCF547x FlexBus supports byte, word, and longword operand transfers and allows accesses to 8-, 16-, and 32-bit data ports. Transfer parameters such as address setup and hold, port size, the number of wait states for the external device being accessed, automatic internal transfer termination enable or disable, and burst enable or disable are programmed in the chip-select control registers (CSCRs), Section 17.5.2.3.

17.6.2 Data Byte Alignment and Physical Connections

The MCF547x aligns data transfers in FlexBus byte lanes, the number of lanes depending on the width of the data port. Figure 12-7 shows the byte lanes that external memory should be connected to and the sequential transfers if a longword is transferred for three port sizes. For example, an 8-bit memory should be connected to the single lane AD[31:24]. A longword transfer through this 8-bit port takes four transfers on AD[31:24], starting with the MSB and going to the LSB. A longword transfer through a 32-bit port requires one transfer on each of the four byte lanes of the FlexBus.

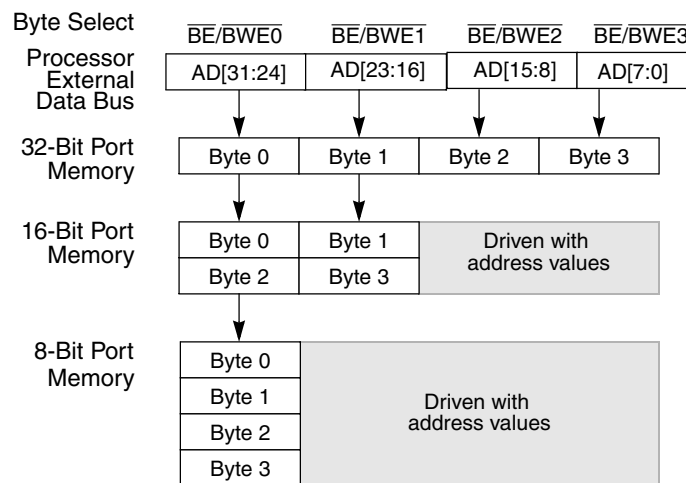


Figure 17-6. Connections for External Memory Port Sizes

17.6.3 Address/Data Bus Multiplexing

The MCF547x FlexBus uses a 32-bit wide multiplexed address and data bus (AD[31:0]). The full 32-bit address will always be driven on the first clock of a bus cycle. During the data phase, which AD[31:0] lines are used for data is determined by the programmed port size for the corresponding chip select. The MCF547x continues to drive the address on any AD[31:0] lines that are not used for data.

Table 17-10 lists the supported combinations of address and data bus widths.

Table 17-10. FlexBus Operating Modes

Port Size	Address Signals During Address Phase	Data Signals During Data Phase	Address Signals During Data Phase
32-bit ¹	AD[31:0]	AD[31:0]	--
16-bit	AD[31:0]	AD[31:16]	AD[15:0]
8-bit	AD[31:0]	AD[31:24]	AD[23:0]

¹ The 32-bit Address/32-bit Data non-multiplexed mode uses the PCI address/data bus to provide a second 32-bit bus for the address. PCI cannot be used if this mode is selected.

17.6.4 Bus Cycle Execution

As shown in Figure 17-9 and Figure 17-11, basic bus operations occur in four clocks, as follows:

1. At the first clock edge, the address, attributes, and ALE are driven.
2. \overline{FBCSn} is asserted at the second rising clock edge to indicate which device has been selected and by that time the address and attributes are valid and stable. ALE is negated at this edge.

For a write transfer, data is driven on the bus at this clock edge and continues to be driven until one clock cycle after \overline{FBCSn} negates. For a read transfer, data is also returned at this cycle.

External slave asserts \overline{TA} at this clock edge.

3. Read data and \overline{TA} are sampled on the third clock edge. \overline{TA} can be negated after this edge and read data can then be tristated.
4. \overline{FBCSn} is negated at the fourth rising clock edge. This last clock of the bus cycle uses what would be an idle clock between cycles to provide hold time for address, attributes, and write data.

17.6.4.1 Data Transfer Cycle States

The data transfer operation in the MCF547x is controlled by an on-chip state machine. The state transition diagram for basic read and write cycles is shown in Figure 17-7.

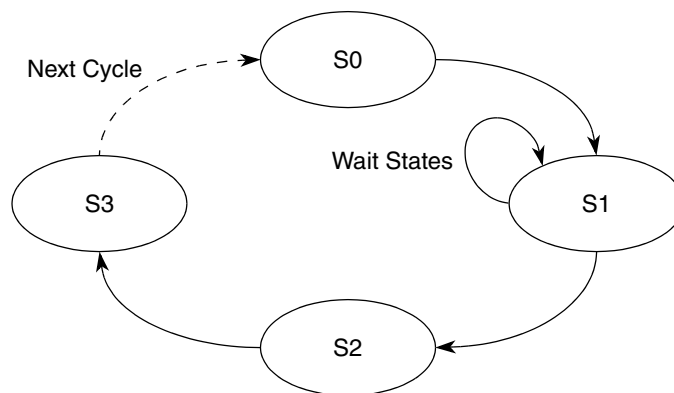


Figure 17-7. Data Transfer State Transition Diagram

Table 17-11 describes the states as they appear in subsequent timing diagrams.

Table 17-11. Bus Cycle States

State	Cycle	Description
S0	All	The read or write cycle is initiated. On the rising clock edge, the MCF547x places a valid address on AD[31:0], asserts \overline{ALE} , and drives R/ \overline{W} high for a read and low for a write, if these signals are not already in the appropriate state.
S1	All	\overline{ALE} is negated on the rising edge of CLK, and \overline{FBCSn} is asserted. Data is driven on AD[31:Y] for writes, and AD[31:Y] is three-stated for reads. Address continues to be driven on AD[X:0] pins that are unused for data. If \overline{TA} is recognized asserted, then the cycle moves on to S2. If \overline{TA} is not asserted either internally or externally, then the S1 state continues to repeat.
	Read	Data is made available by the external device before the rising edge of CLK with \overline{TA} asserted. The the MCF547x will latch data on this rising clock edge.

Table 17-11. Bus Cycle States (Continued)

State	Cycle	Description
S2	All	For internal termination, both the $\overline{\text{FBCSn}}$ and internal $\overline{\text{TA}}$ will be negated. For external termination, the external device should negate $\overline{\text{TA}}$, and $\overline{\text{FBCSn}}$ select is negated after the rising edge of CLK at the end of S2.
	Read	The external device can stop driving data after the rising edge of CLK at the beginning of S2. However, data can be driven until the end of S3 or any additional address hold cycles.
S3	All	Address, data, and $\text{R}/\overline{\text{W}}$ go invalid off the rising edge of CLK at the end of S3, terminating the read or write cycle.

17.6.5 FlexBus Timing Examples

17.6.5.1 Basic Read Bus Cycle

During a read cycle, the MCF547x receives data from memory or from a peripheral device. Figure 17-8 is a read cycle flowchart.

NOTE

Throughout this chapter $\text{AD}[X:0]$ is used to indicate an address bus that can be 32-, 24-, or 16-bits in width. $\text{AD}[31:Y]$ is a data bus that can be 32-, 16-, or 8-bits wide.

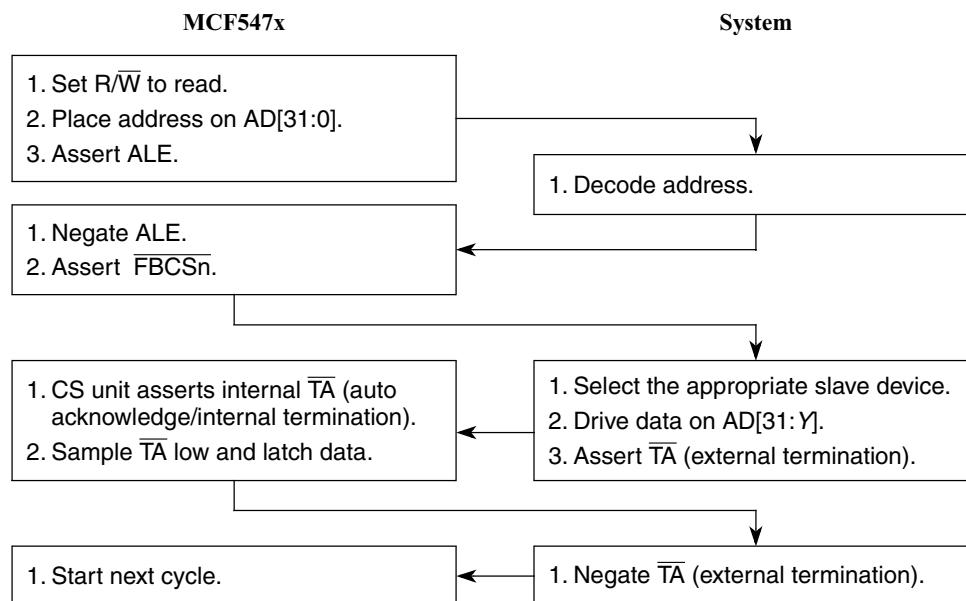


Figure 17-8. Read Cycle Flowchart

The read cycle timing diagram is shown in Figure 17-9.

NOTE

In the following timing diagrams, the dotted lines indicate \overline{TA} , \overline{OE} , and \overline{FBCSn} timing when internal termination is used ($CSCR[AA] = 1$). The external and internal \overline{TA} assert at the same time; however, \overline{TA} is not driven externally for internally terminated bus cycles.

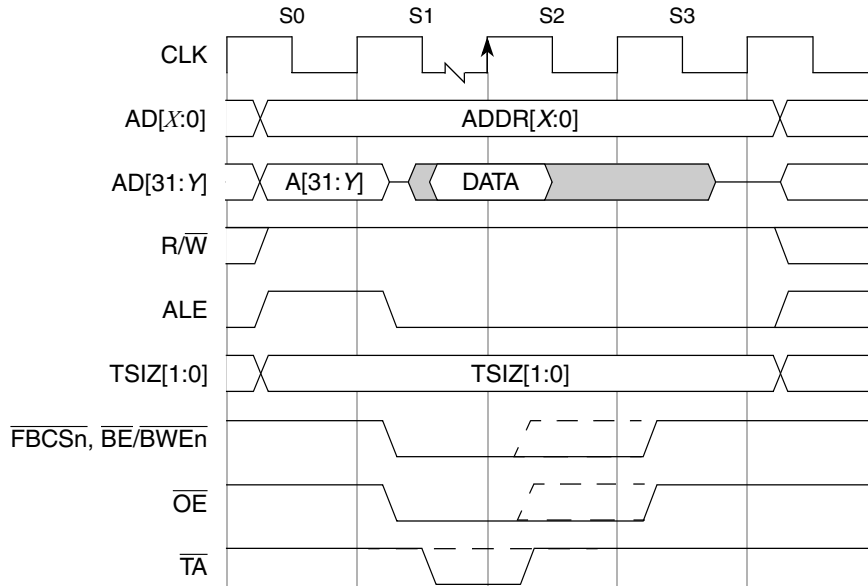


Figure 17-9. Basic Read Bus Cycle

17.6.5.2 Basic Write Bus Cycle

During a write cycle, the MCF547x sends data to memory or to a peripheral device. The write cycle flowchart is shown in [Figure 17-10](#).

NOTE

Throughout this chapter $AD[X:0]$ is used to indicate an address bus that can be 32-, 24-, or 16-bits in width. $AD[31:Y]$ is a data bus that can be 32-, 16-, or 8-bits wide.

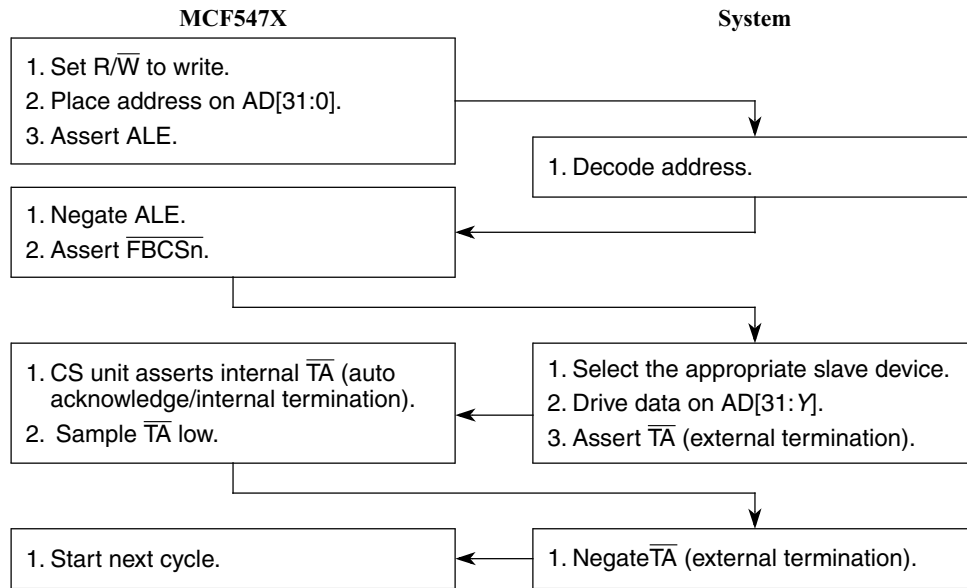


Figure 17-10. Write Cycle Flowchart

The write cycle timing diagram is shown in Figure 17-11.

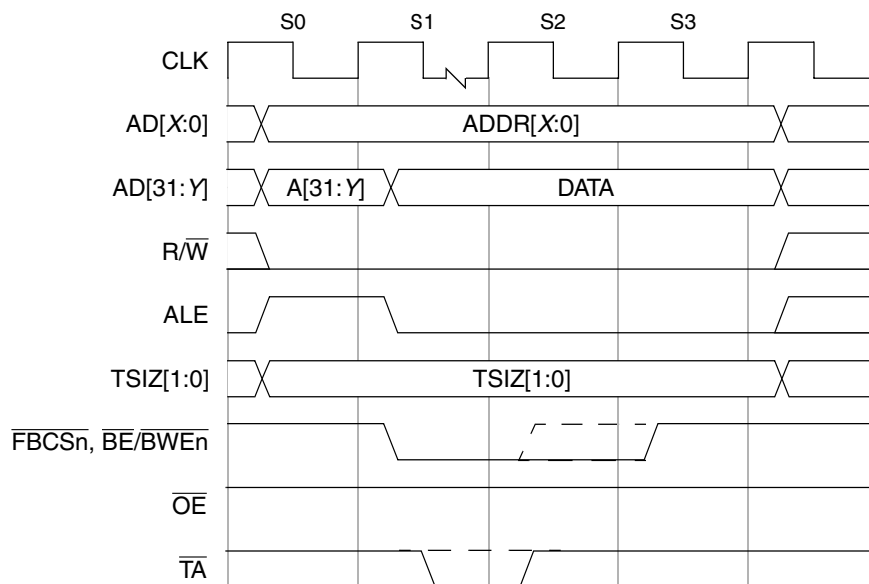


Figure 17-11. Basic Write Bus Cycle

17.6.5.3 Bus Cycle Multiplexing

This section shows timing diagrams for various port size scenarios. Figure 17-12 illustrates the basic word read transfer to a 16-bit device with no wait states. The address is driven on the full AD[31:0] bus in the first clock. The MCF547x tristates AD[31:16] on the second clock and continues to drive address on

AD[15:0] throughout the bus cycle. The external device returns the read data on AD[31:16] and may tristate the data line or continue to drive the data one clock after \overline{TA} is sampled asserted.

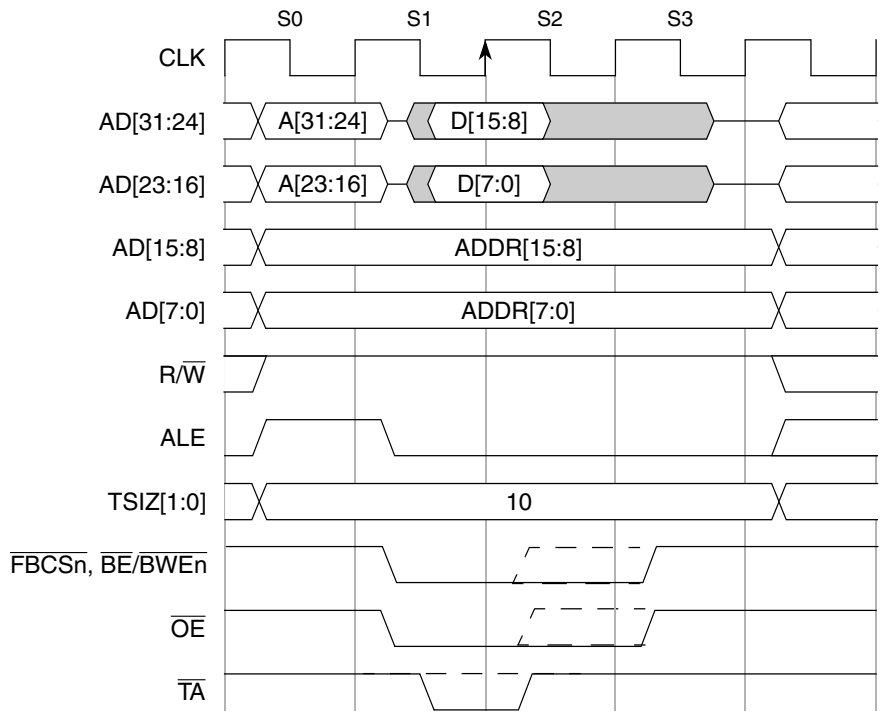


Figure 17-12. Single Word Read Transfer with Muxed 32-A / 16-D or Non-Muxed 16-A / 16-D

Figure 17-13 shows the similar configuration for a write transfer. The data is driven from the second clock on AD[31:16].

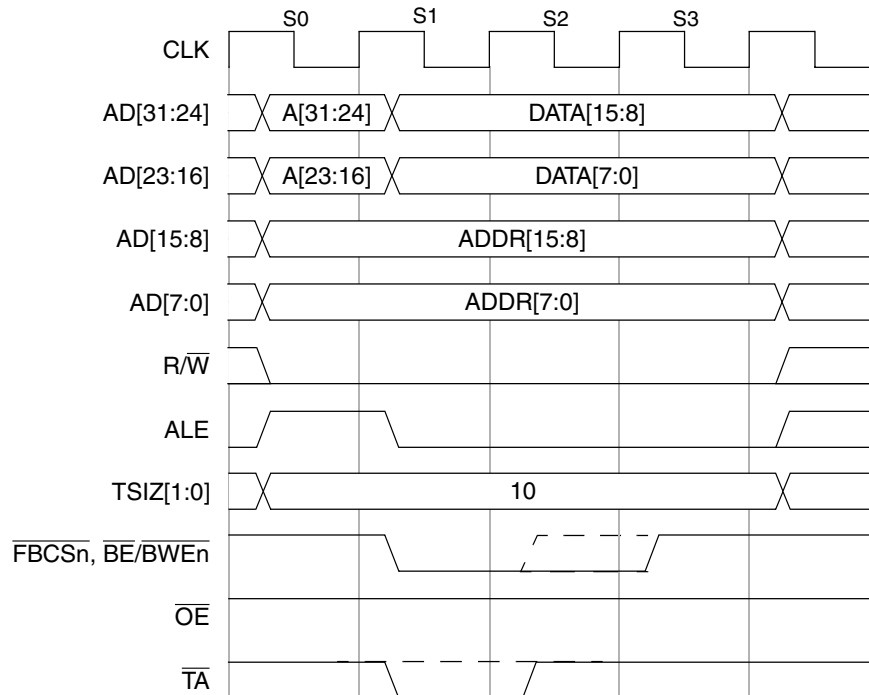


Figure 17-13. Single Word Write Transfer with Muxed 32-A / 16-D or Non-Muxed 16-A / 16-D

Figure 17-14 illustrates the basic byte read transfer to an 8-bit device with no wait states. The address is driven on the full AD[31:0] bus in the first clock. The MCF547x tristates AD[31:24] on the second clock and continues to drive address on AD[23:0] throughout the bus cycle. The external device returns the read data on AD[31:24], and may tristate the data line or continue to drive the data one clock after TA is sampled asserted.

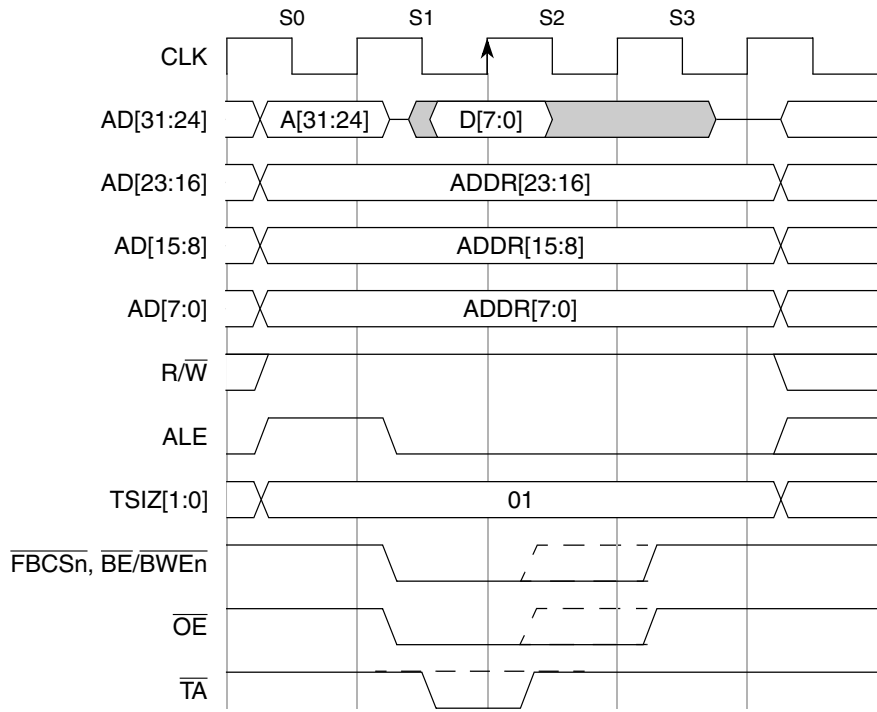


Figure 17-14. Single Byte Read Transfer with Muxed 32-A / 8-D or Non-Muxed 24-A / 8-D

Figure 17-15 shows the similar configuration for a write transfer. The data is driven from the second clock on AD[31:24].

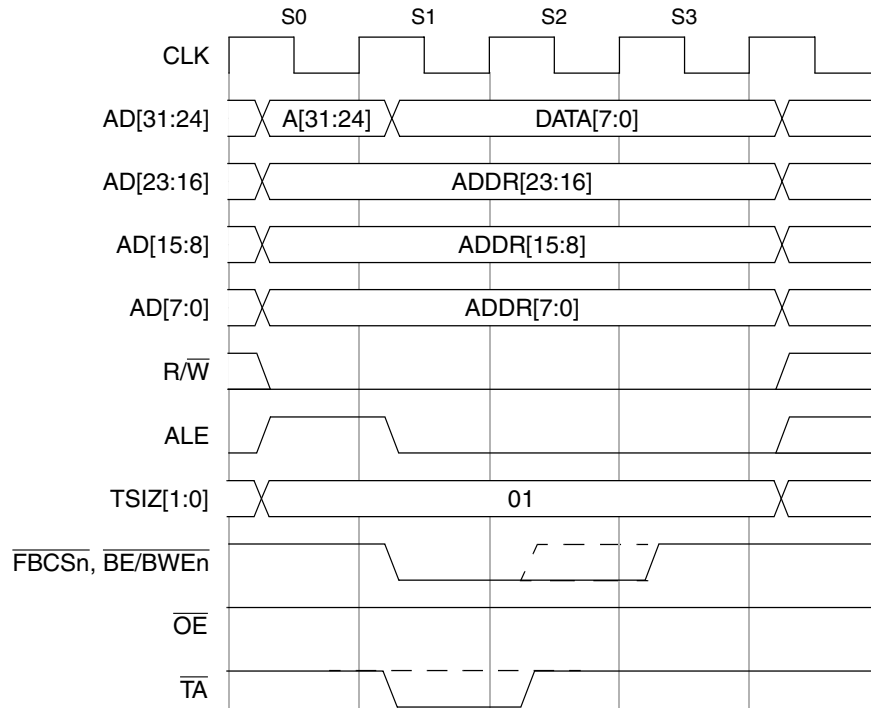


Figure 17-15. Single Byte Write Transfer with Muxed 32-A / 8-D or Non-Muxed 24-A / 8-D

Figure depicts a longword read through a 32-bit device. Notice that when the device port size is 32 bits, the only mode the bus supports is multiplexing address and data lines.

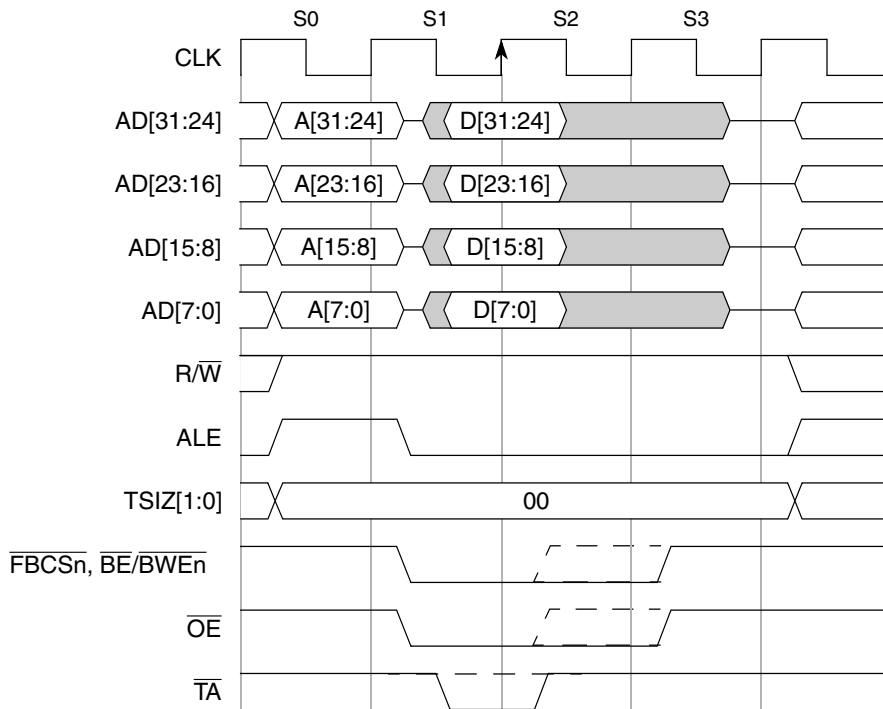


Figure 17-16. Longword Read Transfer with Muxed 32-A / 32-D

Figure 17-17 illustrates the longword write to a 32-bit device.

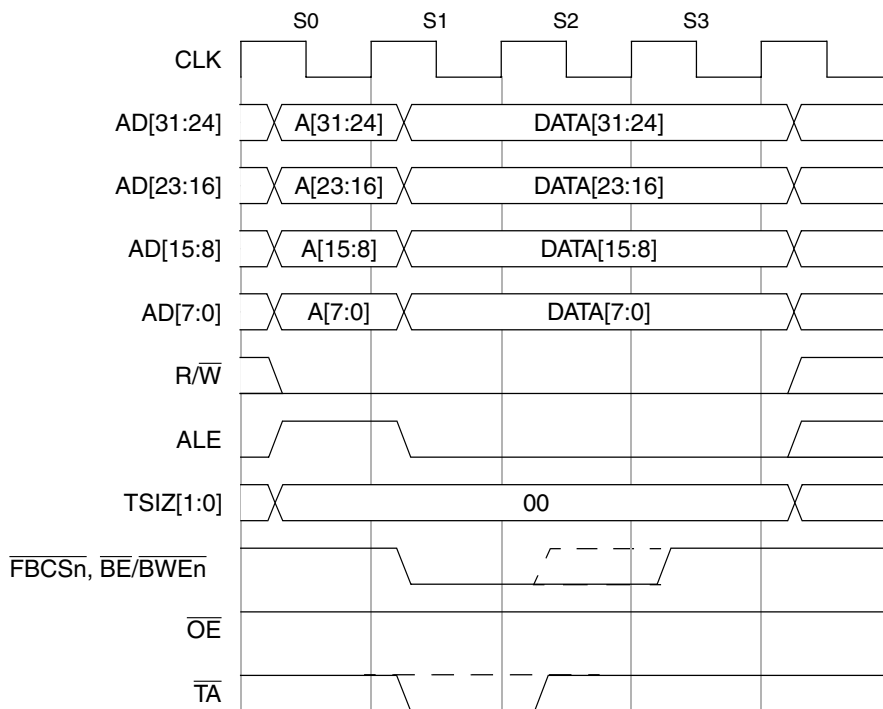


Figure 17-17. Longword Write Transfer with Muxed 32-A / 32-D

17.6.5.4 Timing Variations

The MCF547x has several features that can be used to change the timing characteristics of a basic read or write bus cycle to provide additional address setup, address hold, and time for a device to provide or latch data.

17.6.5.4.1 Wait States

Wait states can be inserted before each beat of a transfer by programming the $CSCR_n$ registers. Wait states can be used to give the peripheral or memory more time to return read data or sample write data.

Figure 17-18 and Figure 17-19 show the basic read and write bus cycles (also shown in Figure 17-9 and Figure 17-12). This is the default case with no wait states.

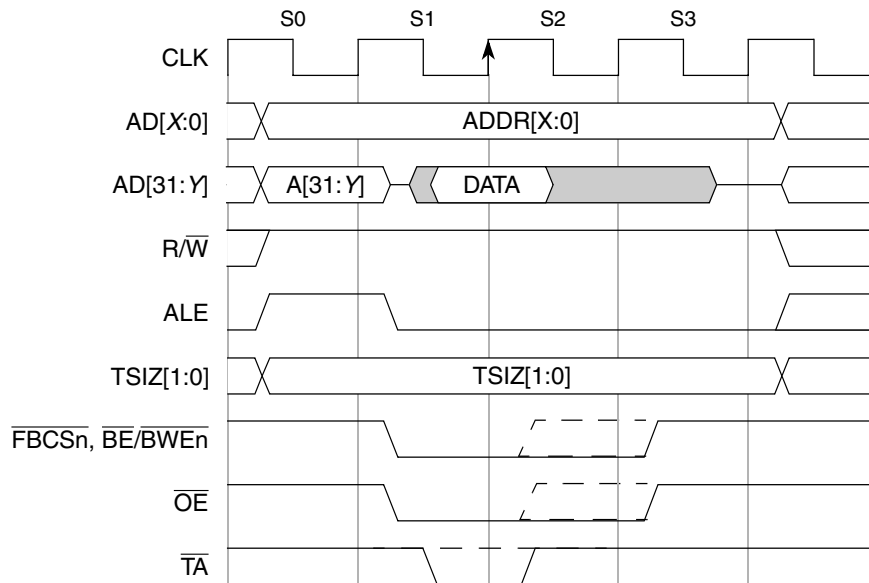


Figure 17-18. Basic Read Bus Cycle (No Wait States)

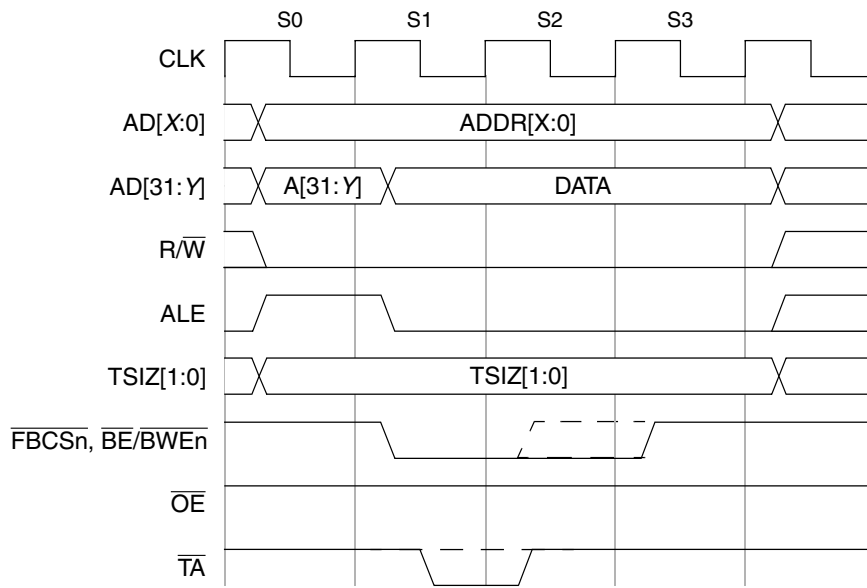


Figure 17-19. Basic Write Bus Cycle (No Wait States)

If wait states are used, then the S1 state will repeat continuously until either the internal \overline{TA} is asserted by the chip select auto-acknowledge unit or the external \overline{TA} is recognized as asserted. Figure 17-20 and Figure 17-21 show a read and write cycle with one wait state.

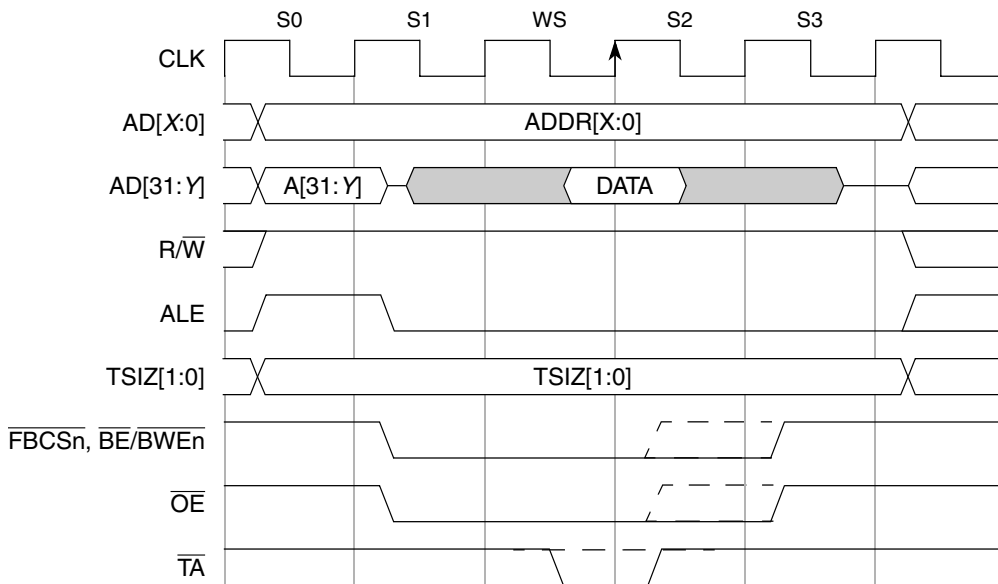


Figure 17-20. Read Bus Cycle (One Wait State)

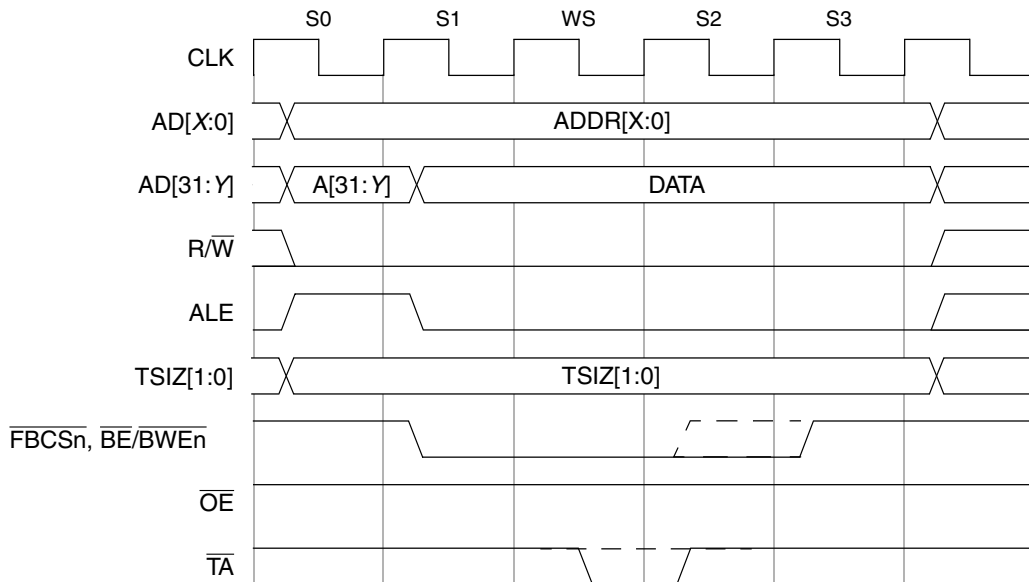


Figure 17-21. Write Bus Cycle (One Wait State)

17.6.5.4.2 Address Setup and Hold

The timing of the assertion and negation of the chip selects, byte selects, and output enable can be programmed on a chip select basis. Each chip select can be programmed to assert one to four clocks after transfer start (ALE) is asserted. Figure 17-22 and Figure 17-23 show read and write bus cycles with two clocks of address setup.

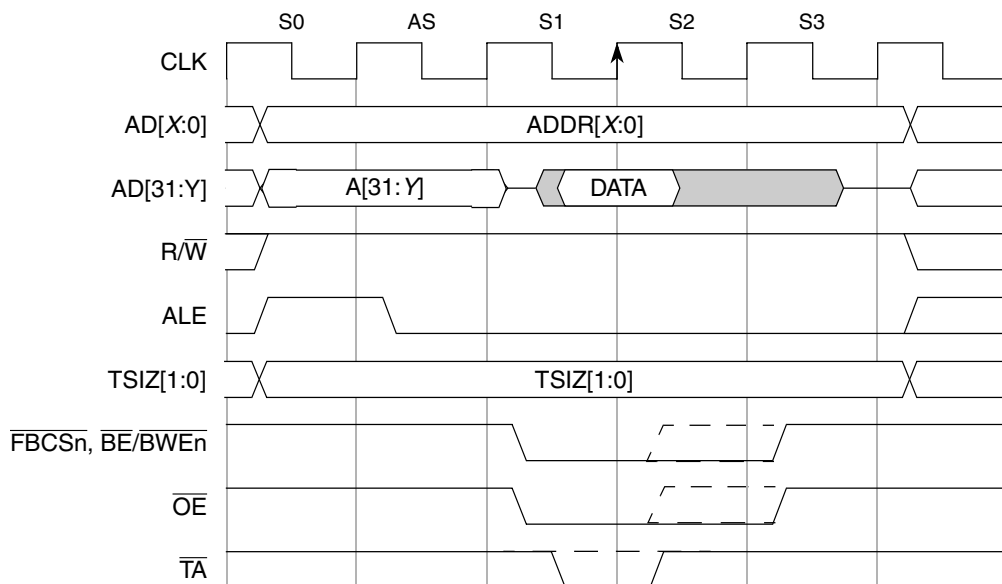


Figure 17-22. Read Bus Cycle with Two Clock Address Setup (No Wait States)

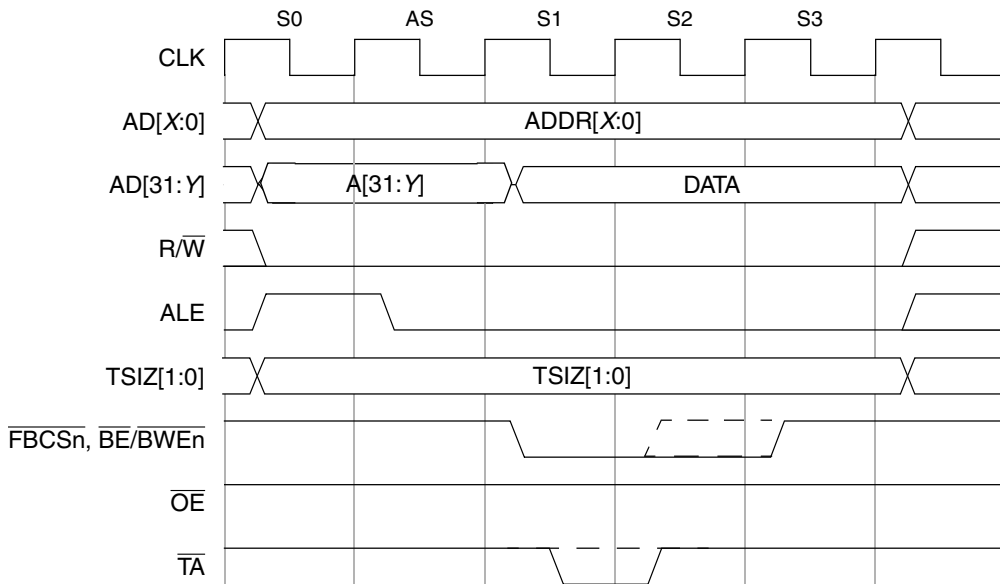


Figure 17-23. Write Bus Cycle with Two Clock Address Setup (No Wait States)

In addition to address setup, there is also a programmable address hold option for each chip select. Address and attributes can be held one to four clocks after chip select, byte selects, and output enable negate. Figure 17-24 and Figure 17-25 show read and write bus cycles with two clocks of address hold.

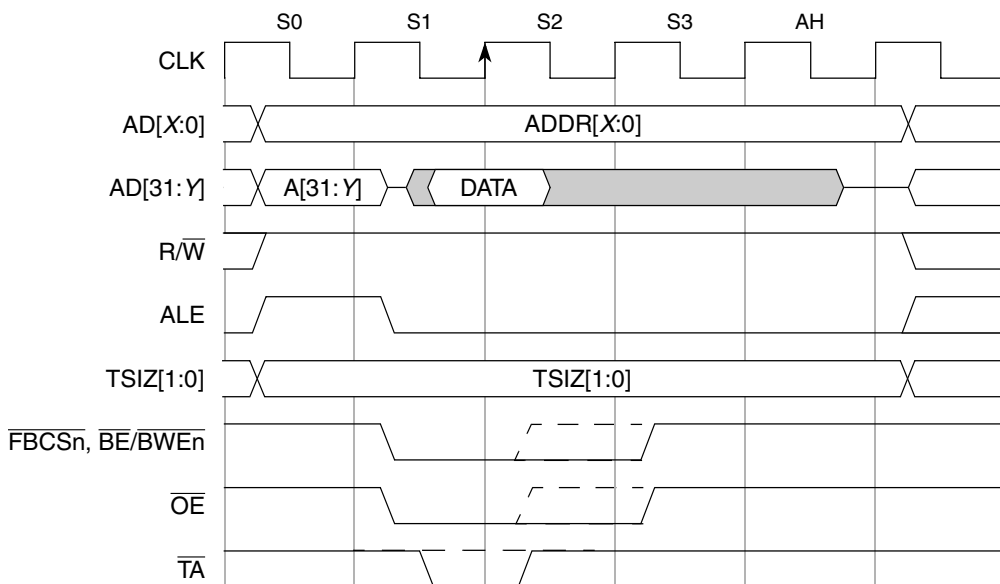


Figure 17-24. Read Cycle with Two Clock Address Hold (No Wait States)

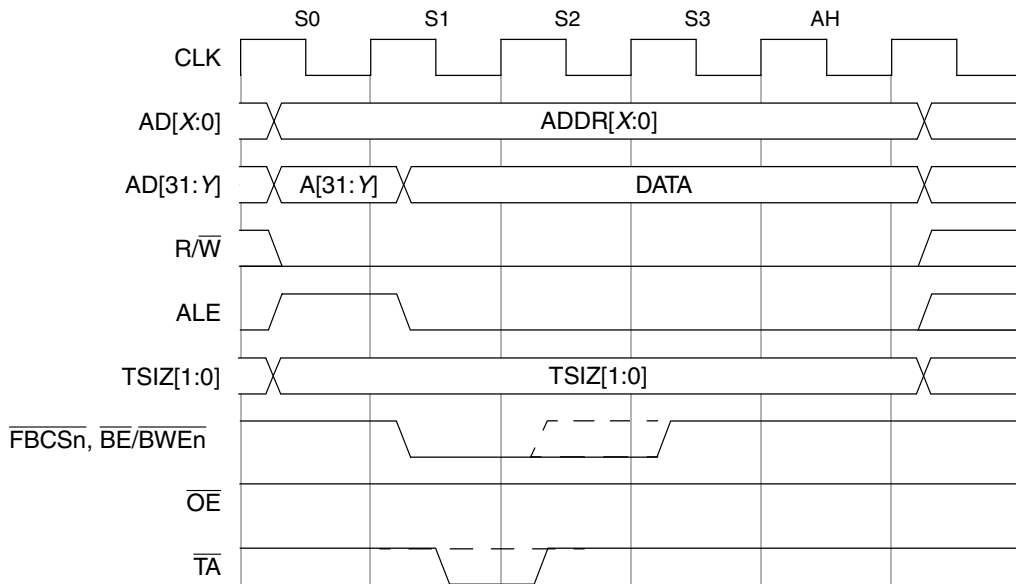


Figure 17-25. Write Cycle with Two Clock Address Hold (No Wait States)

Figure 17-26 shows a bus cycle that uses address setup, wait states, and address hold.

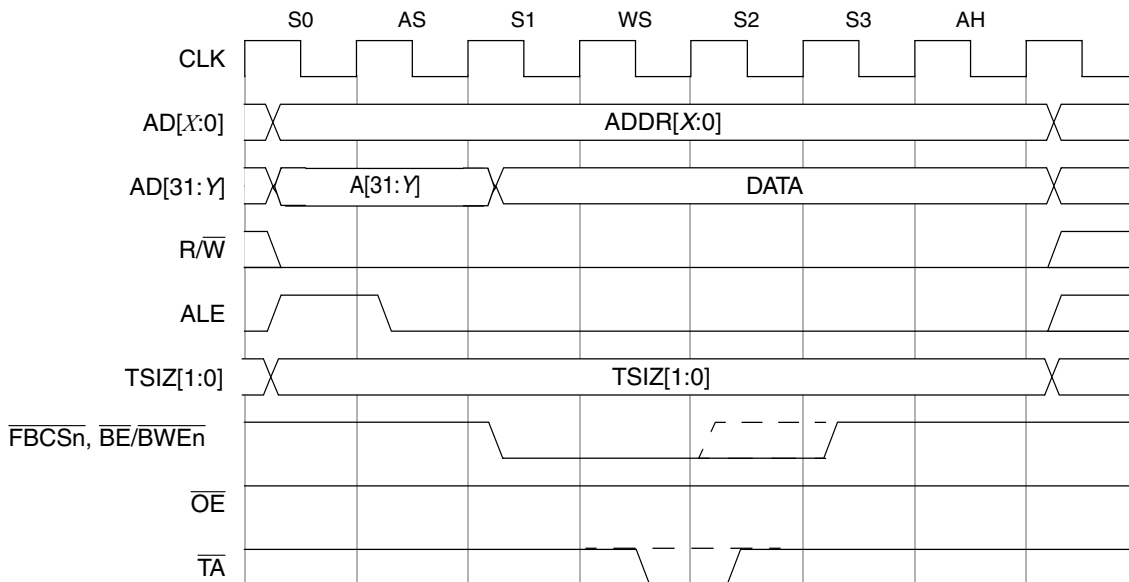


Figure 17-26. Write Cycle with Two Clock Address Setup and Two Clock Hold (One Wait State)

17.6.6 Burst Cycles

The MCF547x can be programmed to initiate burst cycles if its transfer size exceeds the size of the port it is transferring to. The initiation of a burst cycle is encoded on the size pins. For burst transfers to smaller port sizes, TSIZ[1:0] indicate the size of the entire transfer. For example, with bursting enabled, a word transfer to an 8-bit port would take a 2-byte burst cycle, for which TSIZ[1:0] = 10 throughout. A longword transfer to an 8-bit port would take a 4-byte burst cycle, for which TSIZ[1:0] = 00 throughout.

With bursting disabled, any transfer is larger than port size is broken into multiple individual transfers. With bursting enabled, an access is larger than port size would result a burst cycle of multiple beats. Table 17-12 shows the result of such transfer translations.

Table 17-12. Transfer Size and Port Size Translation

Port Size PS[1:0]	Transfer Size TSIZ[1:0]	Burst-inhibited: number of transfers Burst enabled: number of beats
01 (8-bit)	10 (word)	2
	00 (longword)	4
	11 (line)	16
1- (16-bit)	00 (longword)	2
	11 (line)	8
00 (32-bit)	11 (line)	4

The MCF547x bus can support 3-1-1-1 burst cycles and optimize DMA transfers. A user can add wait states by delaying termination of the cycle. If internal termination is used, different wait state counters can be used for the first access and the following beats.

NOTE

Line-sized transfers requested by the core or cache are broken up into four individual longword transfers, but the DMA can request line-sized transfers when the read line or combine write flags are set. See Section 23.4.9, “Line Buffers” for more information.

CSCRs are used to enable bursting for reads, writes, or both. Memory spaces can be declared burst-inhibited for reads and writes by clearing the appropriate CSCR_n[BSTR,BSTW].

Figure 17-27 shows a longword read through an 8-bit device programmed for burst enable. The transfer results in a 4-beat burst and the data is driven on AD[31:24]. Notice that the transfer size is driven at longword (2'b00) throughout the bus cycle.

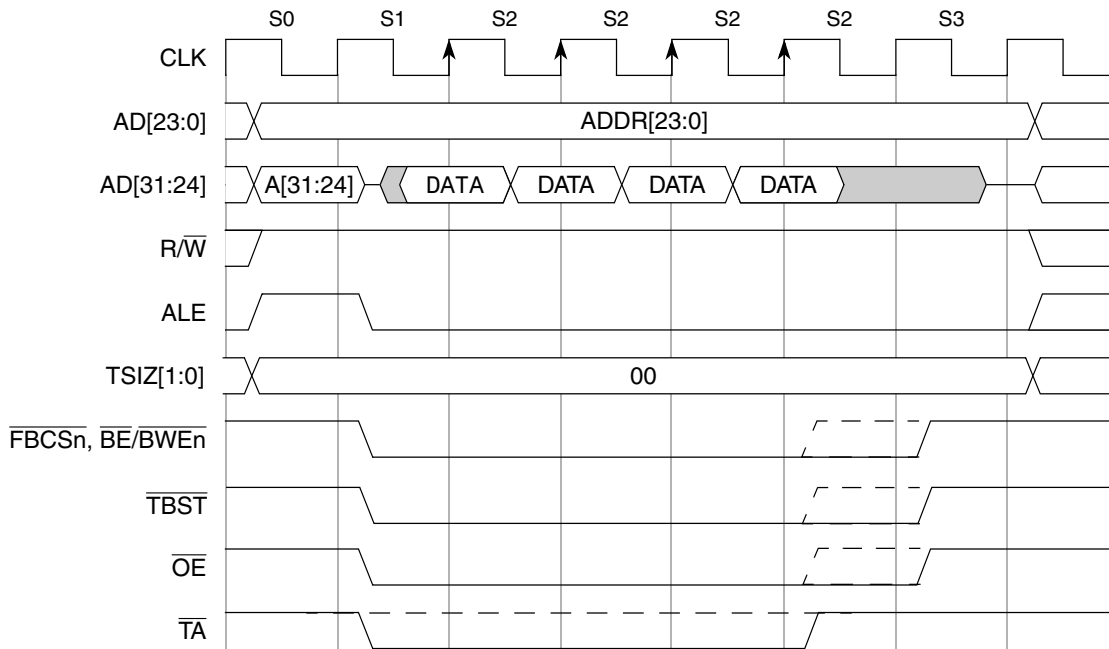


Figure 17-27. Longword Read Burst from 8-Bit Port 3-1-1-1 (No Wait States)

Figure 17-28 shows a longword write burst through an 8-bit device programmed for burst enable. The transfer results in a 4-beat burst and the data is driven on AD[31:24]. Notice that the transfer size is driven at longword (2'b00) throughout the bus cycle.

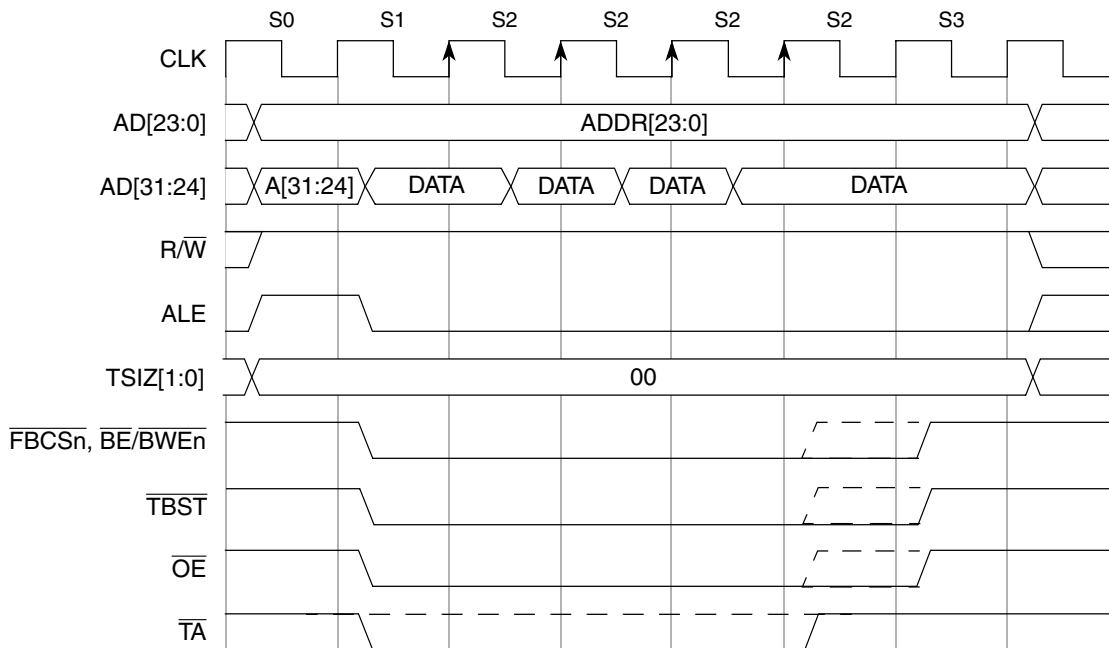


Figure 17-28. Longword Write Burst to 8-Bit Port 3-1-1-1 (No Wait States)

Figure 17-29 shows a longword read through an 8-bit device with burst inhibited. The transfer results in four individual transfers. Notice that the transfer size is driven at longword (2'b00) during the first transfer and at byte (2'b01) during the next three transfers.

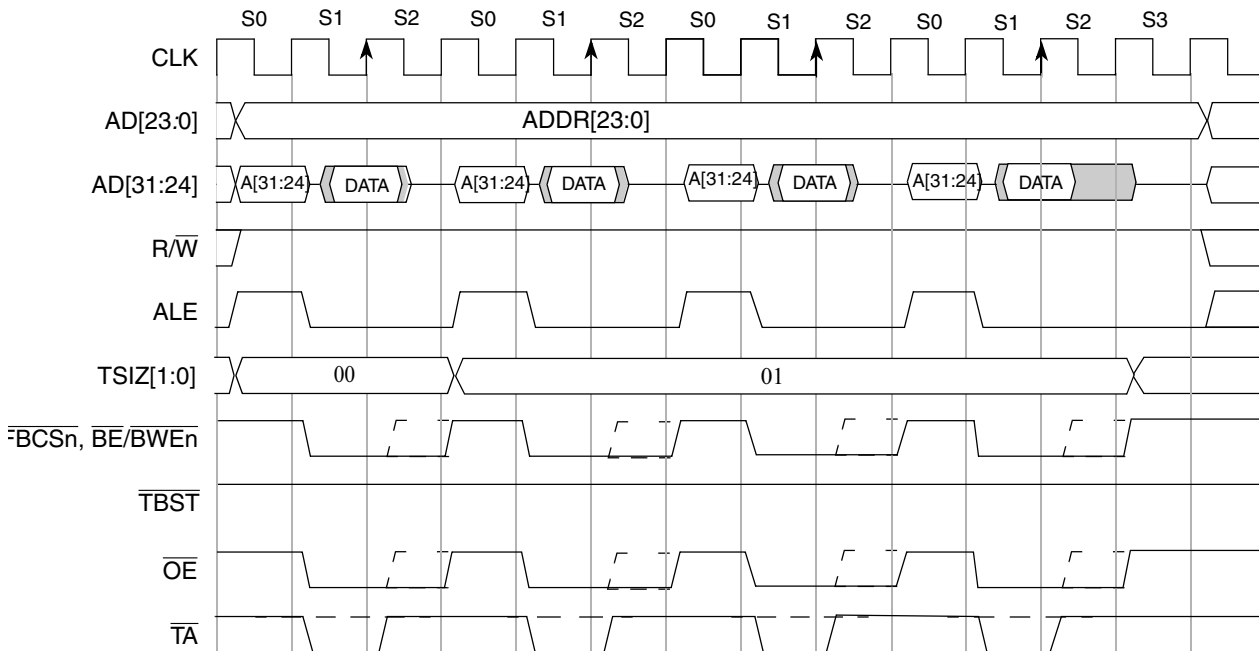


Figure 17-29. Longword Read Burst-Inhibited from 8-Bit Port (No Wait States)

Figure 17-30 shows a longword write through an 8-bit device with burst inhibited. The transfer results in four individual transfers. Notice that the transfer size is driven at longword (2'b00) during the first transfer and at byte (2'b01) during the next three transfers.

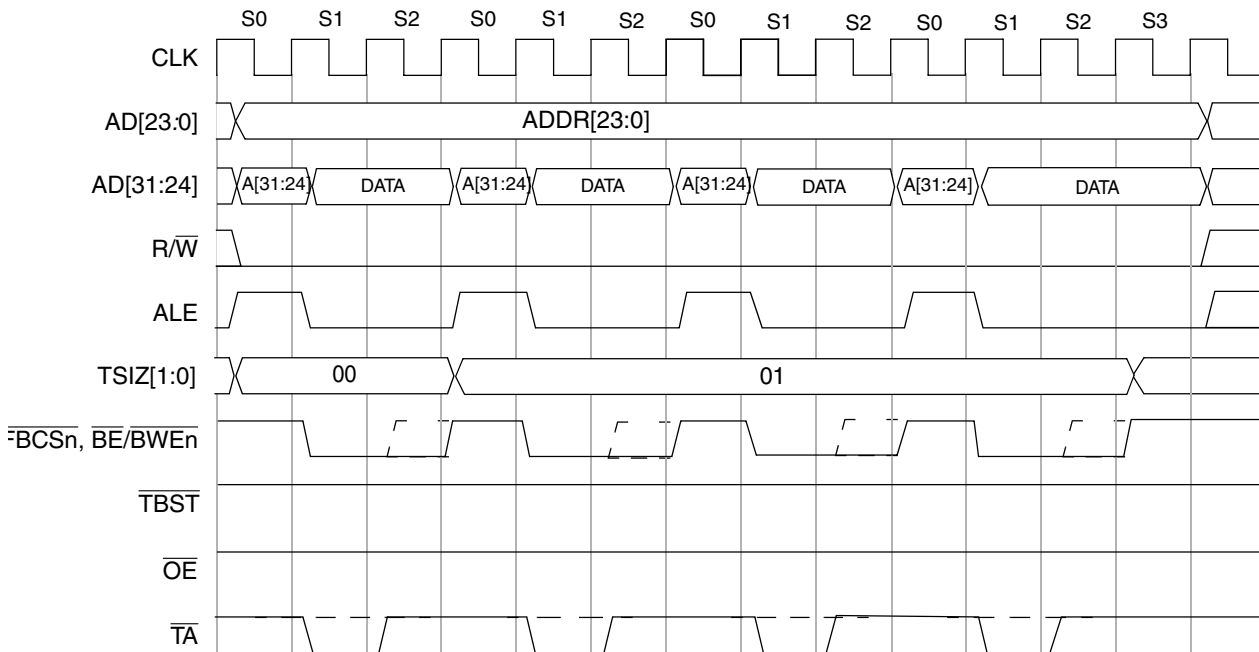


Figure 17-30. Longword Write Burst-Inhibited to 8-Bit Port (No Wait States)

Figure 17-31 illustrates another read burst transfer, but in this case a wait state is added between individual beats.

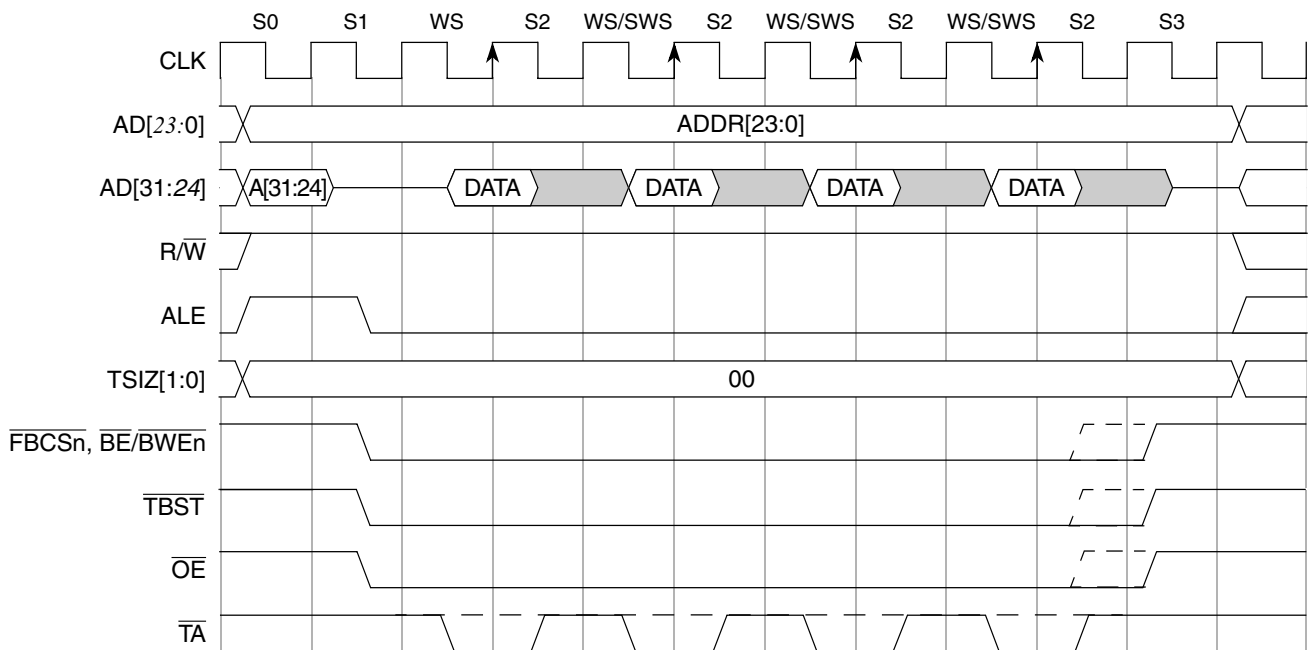


Figure 17-31. Longword Read Burst from 8-Bit Port 4-2-2-2 (One Wait State)

Figure 17-31 illustrates a write burst transfer with one wait state.

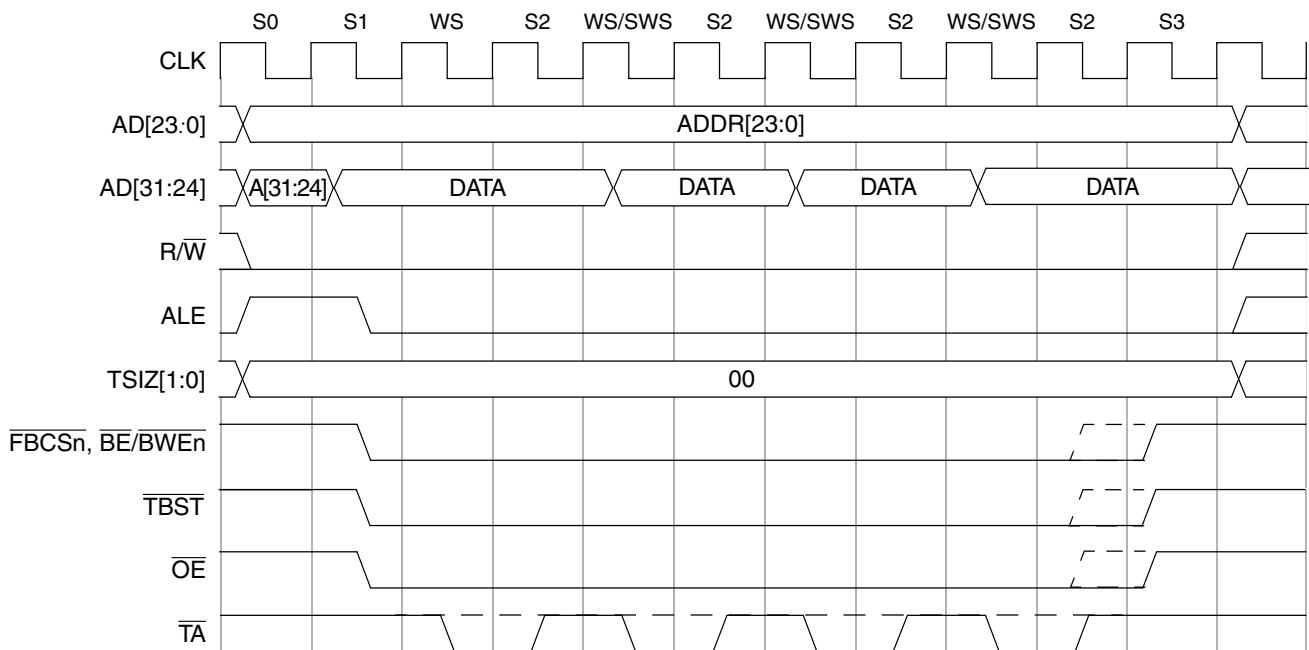


Figure 17-32. Longword Write Burst to 8-Bit Port 4-2-2-2 (One Wait State)

If address setup and hold are used, only the first and last beat of the burst cycle will be affected as shown in Figure 17-33.

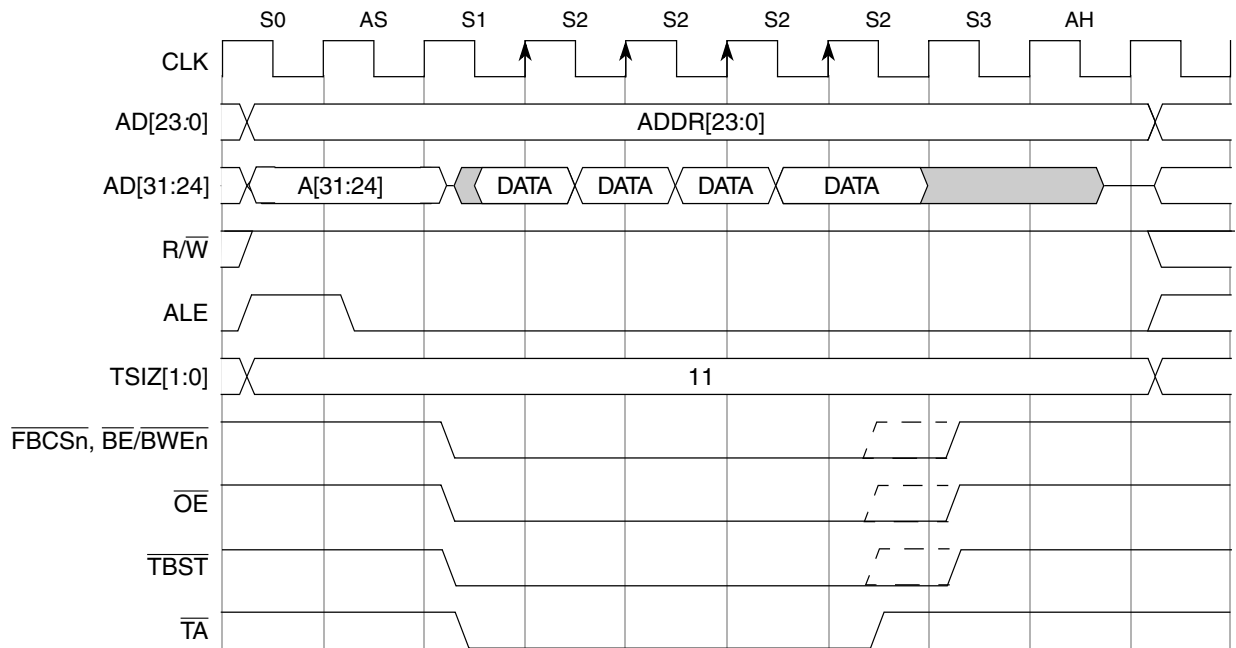


Figure 17-33. Longword Read Burst from 8-Bit Port 4-1-1-1 (Address Setup and Hold)

Figure 17-34 shows a write cycle with one clock of address setup and address hold.

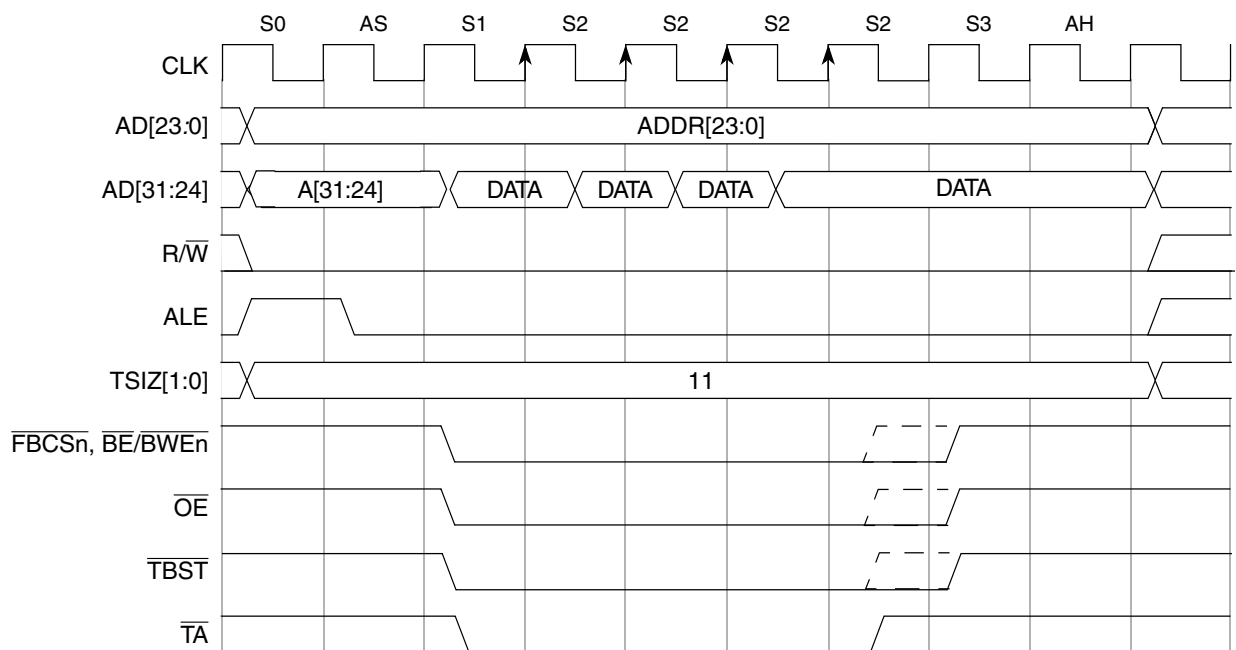


Figure 17-34. Longword Write Burst to 8-Bit Port 4-1-1-1 (Address Setup and Hold)

17.6.7 Misaligned Operands

Because operands, unlike opcodes, can reside at any byte boundary, they are allowed to be misaligned. A byte operand is properly aligned at any address, a word operand is misaligned at an odd address, and a longword is misaligned at an address not a multiple of four. Although the MCF547x enforces no alignment restrictions for data operands (including program counter (PC) relative data addressing), additional bus cycles are required for misaligned operands.

Instruction words and extension words (opcodes) must reside on word boundaries. Attempting to prefetch a misaligned instruction word causes an address error exception.

The MCF547x converts misaligned, cache-inhibited operand accesses to multiple aligned accesses. [Figure 17-35](#) shows the transfer of a longword operand from a byte address to a 32-bit port. First a byte is transferred at an offset of 0x1. The slave device supplies the byte and acknowledges the data transfer. When the MCF547x starts the second cycle, a word is transferred with a byte offset of 0x2. The next two bytes are transferred in this cycle. In the third cycle, byte 3 is transferred. The byte offset is now 0x0, the port supplies the final byte, and the operation is complete.

	31	24 23	16 15	8 7	0	A[2:0]
Transfer 1	—	Byte 0	—	—	—	001
Transfer 2	—	—	Byte 1	Byte 2	—	010
Transfer 3	Byte 3	—	—	—	—	100

Figure 17-35. Example of a Misaligned Longword Transfer (32-Bit Port)

If an operand is cacheable and is misaligned across a cache-line boundary, both lines are loaded into the cache. The example in [Figure 17-36](#) differs from the one in [Figure 17-35](#) because the operand is word-sized and the transfer takes only two bus cycles.

	31	24 23	16 15	8 7	0	A[2:0]
Transfer 1	—	—	—	Byte 0	—	001
Transfer 2	Byte 0	—	—	—	—	100

Figure 17-36. Example of a Misaligned Word Transfer (32-Bit Port)

17.6.8 Bus Errors

The MCF547x has no bus monitor. If the auto-acknowledge feature is not enabled for the address that generates the error, the bus cycle can be terminated by asserting \overline{TA} or by using the software watchdog timer. If it is required that the MCF547x handle a bus error differently, an interrupt handler can be invoked by asserting an interrupt to the core along with \overline{TA} when the bus error occurs.



Chapter 18

SDRAM Controller (SDRAMC)

18.1 Introduction

This chapter describes configuration and operation of the synchronous DRAM (SDRAM) controller. It begins with a general overview and includes a description of signals involved in SDRAM operations. The remainder of the chapter describes the programming model and signal timing, as well as the command set required for synchronous DRAM operations. It also includes examples that the designer can follow to better understand how to configure the SDRAM controller for synchronous operations.

18.2 Overview

18.2.1 Features

The MCF547x SDRAM controller contains the following features:

- Supports a glueless interface to SDR and DDR SDRAMs
- 32-bit fixed memory port width
- 64-bit data bus interface to internal XLB 64-bit bus
- 32 bytes critical word first burst transfer
- Up to 13 row address lines, up to 12 column address lines, 2 bits of bank address, and a maximum of four chip selects. The maximum row bits plus column bits can be less than or equal to 24.
- Supports up to 1 Gbyte of memory—13+11 or 12+12 bit RA+CA, 2 bit BA, four chip selects
- Minimum memory configuration of 8 Mbyte—11 bit row address (RA), 8 bit column address (CA), 2 bit bank address (BA) and one chip select
- Supports page mode to maximize the data rate
- Supports sleep mode and self-refresh mode
- Error detect and parity check are not supported

18.2.2 Terminology

The following terminology is used in this chapter:

- SDRAM block: Any group of DRAM memories selected by one of the MCF547x $\overline{\text{SDCS}}[3:0]$ signals. Thus, the MCF547x can support up to four independent memory blocks. The base address of each block is programmed in the DRAM address and control registers (DACR0 and DACR1).
- SDRAM bank: An internal partition in an SDRAM device. For example, a 64-Mbit SDRAM component might be configured as four 512K x 32 banks. Banks are selected through the SD_BA[1:0] signals.
- SDRAM: These are RAMs that operate like asynchronous DRAMs but with a synchronous clock, a pipelined, multiple-bank architecture, and a faster speed.
- Single data rate (SDR) SDRAM: This is SDRAM that drives/latches data and command information on the rising edge of the clock.
- Double data rate (DDR) SDRAM: This is SDRAM that latches command information on the rising edge of the clock, but data is driven/latched on both the rising and falling edges of the clock rather than on just the rising edge. This doubles data throughput rate without an increase in frequency.

18.2.3 Block Diagram

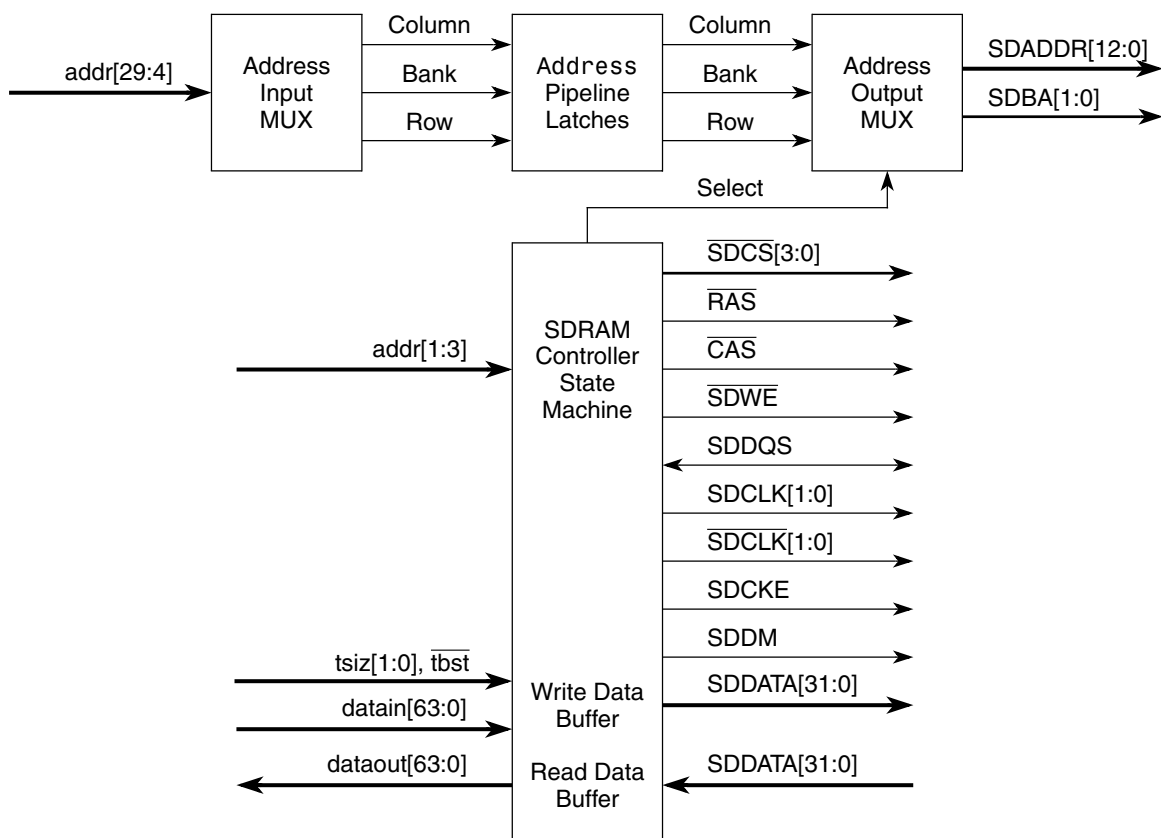


Figure 18-1. SDRAM Controller Block Diagram

18.3 External Signal Description

18.3.1 SDRAM Data Bus (SDDATA[31:0])

SDDATA[31:0] is the bidirectional, non-multiplexed data bus used for SDRAM accesses. Data is sampled by the MCF547x on the rising edge of SDCLK when in SDR mode, and on both the rising and falling edge of SDCLK when in DDR mode.

18.3.2 SDRAM Address Bus (SDADDR[12:0])

The SDADDR[12:0] signals are the 13-bit, uni-directional address bus used for multiplexed row and column addresses during SDRAM bus cycles. The address multiplexing supports up to 256 Mbytes of SDRAM per chip select.

18.3.3 SDRAM Bank Addresses (SDBA[1:0])

Each SDRAM module has four internal row banks. The SDBA[1:0] signals are used to select the row bank. It is also used to select the SDRAM internal mode register during power-up initialization.

18.3.4 SDRAM Row Address Strobe ($\overline{\text{RAS}}$)

This output is the SDRAM synchronous row address strobe.

18.3.5 SDRAM Column Address Strobe ($\overline{\text{CAS}}$)

This output is the SDRAM synchronous column address strobe.

18.3.6 SDRAM Chip Selects ($\overline{\text{SDCS}}$ [3:0])

These signals interface to the chip select lines of the SDRAMs within a memory block. Thus, there is one $\overline{\text{SDCS}}$ line for each memory block (the MCF547x supports up to four SDRAM memory blocks).

18.3.7 SDRAM Write Data Byte Mask (SDDM[3:0])

These output signals are sampled by the SDRAM on both edges of SDDQS to determine which byte lanes of the SDRAM data bus should be latched during a write cycle. In DDR mode, these bits are ignored during read operations.

18.3.8 SDRAM Data Strobe (SDDQS[3:0])

These bidirectional signals indicate when valid data is on the SDRAM data bus. [Table 18-1](#) shows the correspondence between SDDATA byte lanes and the SDDQS and SDDM signals.

Table 18-1. SDDQS and SDDM to Byte Lane Mapping

Byte Lane	SDDQS	SDDM
SDDATA[31:24] (MSB)	SDDQS3	SDDM3
SDDATA[23:16]	SDDQS2	SDDM2
SDDATA[15:8]	SDDQS1	SDDM1
SDDATA[7:0] (LSB)	SDDQS0	SDDM0

18.3.9 SDRAM Clock (SDCLK[1:0])

This is the output clock for SDRAM accesses.

18.3.10 Inverted SDRAM Clock ($\overline{\text{SDCLK}}$ [1:0])

This is the inverted version of the SDRAM clock. It is used with SDCLK to provide the differential clocks for DDR SDRAM.

18.3.11 SDRAM Write Enable ($\overline{\text{SDWE}}$)

The SDRAM write enable ($\overline{\text{SDWE}}$) is asserted to signify that a DRAM write cycle is underway. A read cycle is indicated by the negation of $\overline{\text{SDWE}}$.

18.3.12 SDRAM Clock Enable (SDCKE)

This output is the SDRAM clock enable. SDCKE negates to put the SDRAM into low-power, self-refresh mode.

18.3.13 SDR SDRAM Data Strobe (SDRDQS)

This is connected to SDDQS inputs. It is used in SDR mode only.

18.3.14 SDRAM Memory Supply (SDVDD)

These pins supply positive power to the SDRAM module. SDVDD should be connected to +2.5V for DDR operation and +3.3V for SDR.

18.3.15 SDRAM Reference Voltage (VREF)

This is the input reference voltage for differential SSTL₂ inputs. It is used in both DDR and SDR modes. For DDR VREF should be connected to 1.25V, and for SDR VREF should be connected to 1.5V.

18.4 Interface Recommendations

18.4.1 Supported Memory Configurations

The SDRAM controller supports up to 13 row addresses and up to 12 column addresses. However, the maximum row and column addresses are not supported at the same time. The number of row and column addresses must be less than or equal to 24. In addition to row/column address lines, there are always two row bank address bits. Therefore, the greatest possible address space which can be accessed using a single chip select is $(2^{26}) \times 32$ bits, or 256 Mbytes.

Table 18-2 shows the address multiplexing used by the MCF547x for different configurations. When the SDRAM controller receives the internal module enable, it latches the internal bus address lines $\text{addr}[27:2]$ and multiplexes them into row, column and row bank addresses. $\text{addr}[9:2]$ are always used for $\text{CA}[7:0]$, $\text{addr}[11:10]$ are always used for $\text{BA}[1:0]$, and $\text{addr}[23:12]$ are always used for $\text{RA}[11:0]$. $\text{addr}[27:24]$ can be used for additional row or column address bits, as needed.

NOTE

The SDRAMC only supports an external 32-bit data bus. It is not possible to connect a smaller device(s) to only part of the SDRAM's data bus. For example, if 16-bit wide devices are used, then you must use two 16-bit devices connected as a 32-bit port.

Table 18-2. SDRAM Address Multiplexing

Device	Configur ation	Row bit x Col bit x Bank bit	Number of Devices	Total Block Size	SDCR [MUX] Setting	Internal Address						
						27	26	25	24	23–12	11–10	9–2
64 Mbits	512K x 32 bit	11 x 8 x 2	1	8 MB	00	—	—	—	—	RA11-0	BA1-0	CA7-0
	4M x 16 bit	12 x 8 x 2	2	16 MB	00	—	—	—	—			
	8M x 8bit	12 x 9 x 2	4	32 MB	00	—	—	—	CA8			
		13 x 8 x 2			01	—	—	—	RA12			
	16M x 4 bit	12 x 10 x 2	8	64 MB	00	—	—	CA9	CA8			
		13 x 9 x 2			01	—	—	CA8	RA12			
128 Mbits	4M x 32 bit	12 x 8 x 2	1	16 MB	00	—	—	—	—	RA11-0	BA1-0	CA7-0
	8M x 16 bit	12 x 9 x 2	2	32 MB	00	—	—	—	CA8			
		13 x 8 x 2			01	—	—	—	RA12			
	16M x 8 bit	12 x 10 x 2	4	64 MB	00	—	—	CA9	CA8			
		13 x 9 x 2			01	—	—	CA8	RA12			
	32M x 4 bit	12 x 11 x 2	8	128 MB	00	—	CA11	CA9	CA8			
		13 x 10 x 2			01	—	CA9	CA8	RA12			

Table 18-2. SDRAM Address Multiplexing

Device	Configur ation	Row bit x Col bit x Bank bit	Number of Devices	Total Block Size	SDCR [MUX] Setting	Internal Address						
						27	26	25	24	23–12	11–10	9–2
256 Mbits	16M x 16 bit	12 x 10 x 2	2	64 MB	00	—	—	CA9	CA8	RA11-0	BA1-0	CA7-0
		13 x 9 x 2			01	—	—	CA8	RA12			
	32M x 8 bit	12 x 11 x 2	4	128 MB	00	—	CA11	CA9	CA8			
		13 x 10 x 2			01	—	CA9	CA8	RA12			
	64M x 4 bit	12 x 12 x 2	8	256 MB	00	CA12	CA11	CA9	CA8			
		13 x 11 x 2			01	CA11	CA9	CA8	RA12			
512 Mbits	32M x 16 bit	12 x 11 x 2	2	128 MB	00	—	CA11	CA9	CA8	RA11-0	BA1-0	CA7-0
		13 x 10 x 2			01	—	CA9	CA8	RA12			
	64M x 8bit	12 x 12 x 2	4	256 MB	00	CA12	CA11	CA9	CA8			
		13 x 11 x 2			01	CA11	CA9	CA8	RA12			

All memory devices of a single chip select block must have the same configuration and row/col address width; however, this is not necessary between different blocks. If mixing different memory organizations in different blocks, the following guidelines will ensure that every block is fully contiguous.

- If all devices' row address width is 12 bits, the column address can be ≥ 8 bits.
- If all devices' row address width is 13 bits, the column address can be ≥ 8 bits.
- If all devices' column address width is 8 bits, the row address can be ≥ 11 bits.
- x8 and x16 data width memory devices can be mixed (but not in the same space).
- x32 data width memory devices cannot be mixed with any other width.

18.4.2 SDRAM SDR Connections

Figure 18-2 shows a block diagram of the connections between the MCF547x and SDR SDRAM components. SDR design requires special timing consideration for the SDDQS[3:0] signals. For reads from DDR SDRAMs, the memory will drive the DQS pins so that the data lines and DQS signals have concurrent edges. The MCF547x SDRAMC is designed to latch data 1/4 clock after the SDDQS[3:0] edge. For DDR SDRAM, this ensures that the latch time is in the middle of the data valid window.

The SDRAMC also uses the SDDQS[3:0] signals to determine when read data can be latched for SDR SDRAM; however, SDR memories do not provide DQS outputs. Instead the SDRAMC provides an SDRDQS output that is routed back into the controller as SDDQS[3:0]. The SDRDQS signal should be routed such that the valid data from the SDRAM reaches the MCF547x at the same time or just before the SDRDQS reaches the SDDQS[3:0] inputs. When routing SDRDQS the outbound trace length should be matched to the SDCLK trace length. This will align SDRDQS to the SDCLK as if the memory had generated the DQS pulse. The inbound trace should be routed along the data path. This should synchronize the SDDQS so that the data is latched in the middle of the data valid window.

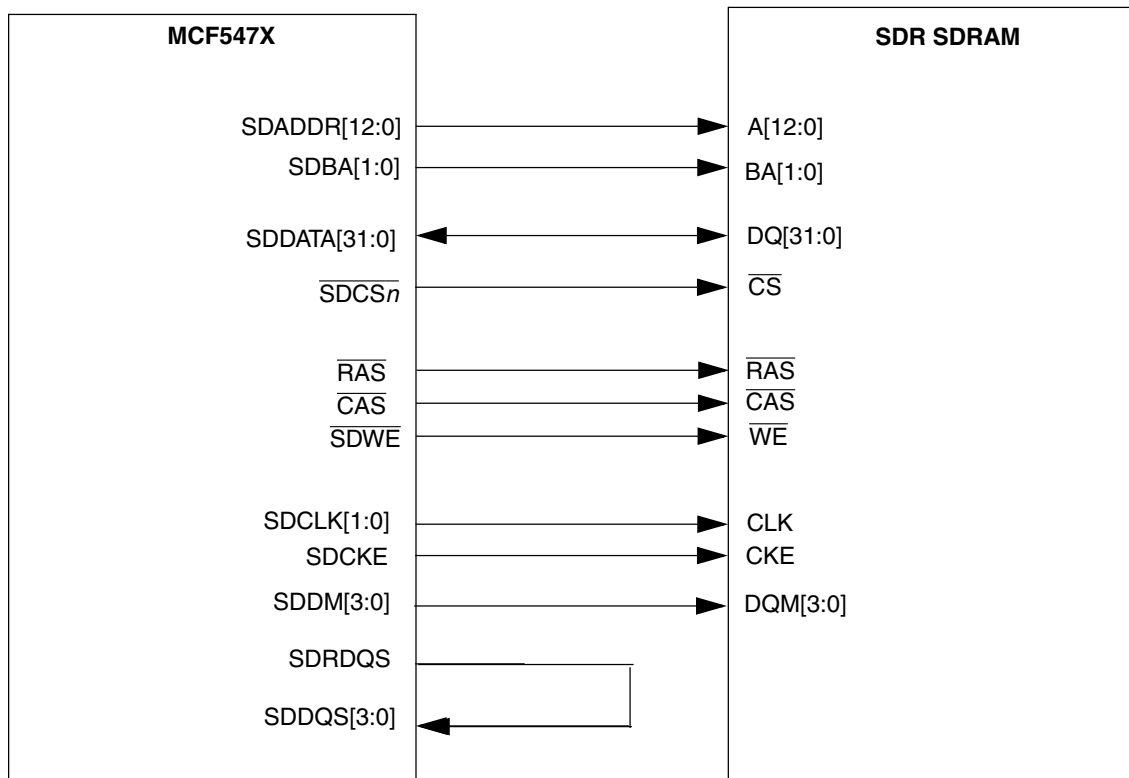


Figure 18-2. MCF547x Connections to SDR SDRAM

18.4.3 SDRAM DDR Component Connections

Figure 18-3 shows a block diagram of the connections between the MCF547x and DDR SDRAM components.

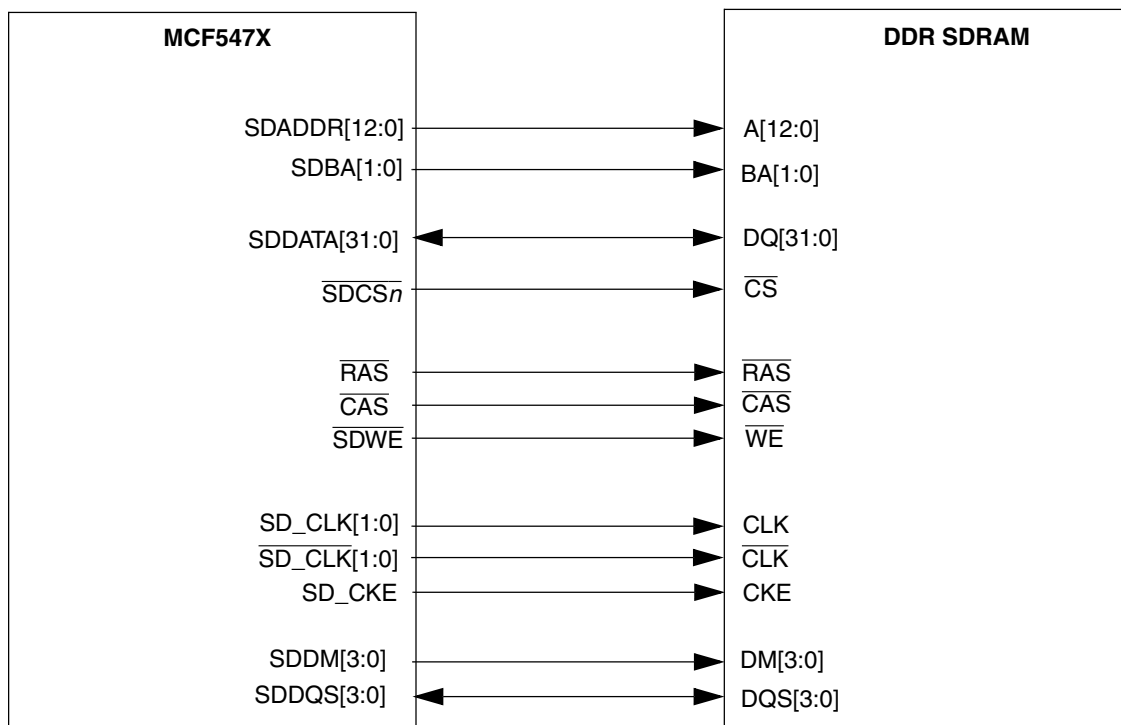


Figure 18-3. MCF547X Connections to DDR SDRAM

18.4.4 SDRAM DDR DIMM Connections

There is a JEDEC standard for a 100-pin DDR DIMM with a 32-bit wide data bus. This DIMM standard was designed specifically to support 32-bit processors. The MCF547x can support current DIMM configurations up to 512 Mbytes.

Figure shows a block diagram of the connections between the MCF547x and DDR SDRAM DIMMs.

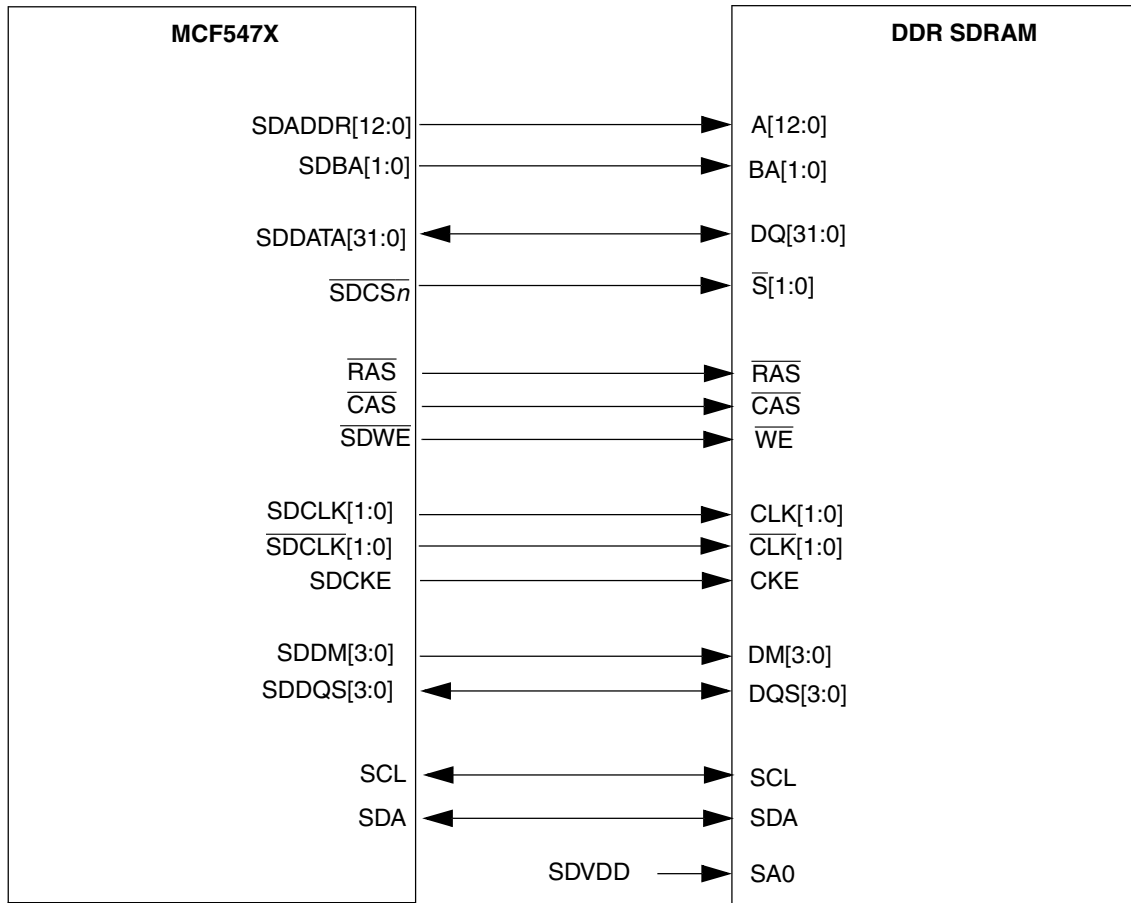


Figure 18-4. MCF547X Connections to 100-pin DDR SDRAM DIMM

18.4.5 DDR SDRAM Layout Considerations

Due to the critical timing for DDR SDRAM, there are a number of considerations that should be taken into account during PCB layout:

- Minimize overall trace lengths.
- Each DQS, DM, and DQ group must have identical loading and similar routing to maintain timing integrity.
- Control and clock signals are routed point-to-point.
- Trace length for clock, address, and command signals should match.
- Route DDR signals on layers adjacent to the ground plane.
- Use a VREF plane under the SDRAM.
- VREF is decoupled from both SDVDD and VSS.
- To avoid crosstalk, keep address and command signals separate from data and data strobes.
- Use different resistor packs for command/address and data/data strobes.
- Use single series, single parallel termination (25 Ω series, 50 Ω parallel values are recommended, but standard resistor packs with similar values can be substituted).

- Series termination should be between the MCF547x and memory, but closest to the processor.
- The parallel termination at end of the signal line (close to the SDRAM).
- 0.1 uF decoupling for every termination resistor pack.

18.4.5.1 Termination Example

Figure 18-5 shows the recommended termination circuitry for DDR SDRAM signals.

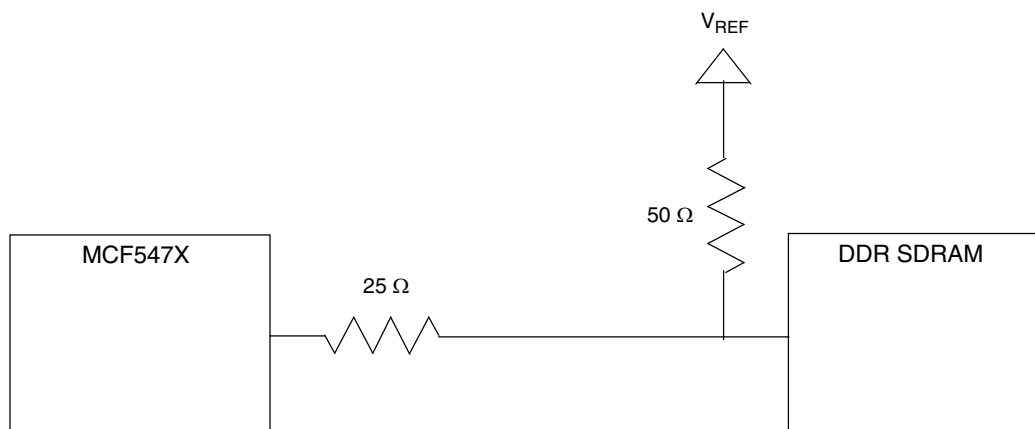


Figure 18-5. MCF547x DDR SDRAM Termination Circuit

18.5 SDRAM Overview

18.5.1 SDRAM Commands

When an internal bus master accesses SDRAM address space, the memory controller generates the corresponding SDRAM command. Table 18-3 lists SDRAM commands supported by the memory controller.

Table 18-3. SDRAM Commands

Function	Symbol	CKE	CS	RAS	CAS	WE	BA[1:0]	AP/C MD	Other A
Command Inhibit	INH	H	H	X	X	X	X	X	X
No Operation	NOP	H	L	H	H	H	X	X	X
Row and Bank Active	ACTV	H	L	L	H	H	V	V	V
Read	READ	H	L	H	L	H	V	L	V
Write	WRITE	H	L	H	L	L	V	L	V
Precharge All Banks	PALL	H	L	L	H	L	X	H	X
Load Mode Register	LMR	H	L	L	L	L	LL	V	V
Load Extended Mode Register	LEMR	H	L	L	L	L	LH	V	V

Table 18-3. SDRAM Commands (Continued)

Function	Symbol	CKE	CS	RAS	CAS	WE	BA[1:0]	AP/CMD	Other A
CBR Auto Refresh	REF	H	L	L	L	H	X	X	X
Self Refresh	SREF	H→L	L	L	L	H	X	X	X
Power Down	PDWN	H→L	H	X	X	X	X	X	X
H = High L = Low V = Valid X = Don't care									

Many commands require a delay before the next command may be issued; sometimes the delay depends on the type of the next command. These delay requirements are managed by the values programmed in the memory controller configuration registers (SDCFG1, SDCFG2).

18.5.1.1 Row and Bank Active Command (ACTV)

The ACTV command is responsible for latching the row and bank address and activating the specified row in the memory array. Once the row is activated, it can be accessed using subsequent READ and WRITE commands.

NOTE

The SDRAMC will support one active row for each chip select block. See [Section 18.6.1, “Page Management”](#) for more information.

18.5.1.2 Read Command (READ)

When the SDRAMC receives a read request, it first checks the row and bank of the new access. If the address falls within the active row of an active bank, it is a page hit, and the READ is issued as soon as possible (pending any delays required by previous commands). If the address is within the active row, but the needed bank is inactive, or if there is no active row, the memory controller will issue an ACTV followed by the READ command. If the address is not within the active row, the memory controller will issue a PALL command to close the active row. Then the SDRAMC issues ACTV to activate the necessary bank and row for the new access, followed finally by the READ to the SDRAM.

The PALL and ACTV commands (if necessary) can sometimes be issued in parallel with an on-going data movement.

All reads, whether burst or single, must be allowed to complete the entire burst length on the memory bus. With SDR memory, the data masks are *negated* throughout the entire read burst length. With DDR memory, the data masks are *asserted* throughout the entire read burst length; but DDR memory ignores the data masks during reads.

18.5.1.3 Write Command (WRITE)

When the memory controller receives a write request, it first checks the row and bank of the new access. If the address falls within the active row of an active bank, it is a page hit, and the WRITE is issued as soon as possible (pending any delays required by previous commands). If the address is within the active row but the needed bank is inactive, or if there is no active row, the memory controller will issue an ACTV followed by the WRITE command. If the address is not within the active row, the memory controller will

issue a PALL command to close the active row. Then the SDRAMC issues ACTV to activate the necessary row and bank for the new access, followed finally by the WRITE command.

The PALL and ACTV commands (if necessary) can sometimes be issued in parallel with an on-going data movement.

With both SDR and DDR memory, a read command can be issued overlapping the masked beats at the end of a previous single write of the same SDCS; the read command aborts the remaining (unnecessary) write beats. This is not possible with SDR memory, because SDR memory cannot be read with the masks asserted.

18.5.1.4 Precharge All Banks Command (PALL)

The precharge command puts SDRAM into an idle state. The SDRAM must be in this idle state before a REF, LMR, LEMR, or ACTV command to open a new row within a particular bank can be issued.

The memory controller issues the PALL command only when necessary for one of the following conditions:

- Access to a new row
- Refresh interval elapsed
- Software commanded precharge

NOTE

The SDRAMC does not support the precharge selected bank memory command.

18.5.1.5 Load Mode/Extended Mode Register Command (LMR, LEMR)

All SDRAM devices contain mode registers that are used to configure the timing and burst mode for the SDRAM. These commands are used to access the mode registers that physically reside within the SDRAM devices. During the LMR or LEMR command the SDRAM will latch the address bus and load the value into the selected mode register.

NOTE

The LMR and LEMR commands are only used during SDRAM initialization.

The following steps should be used to write the mode register and extended mode register:

1. Set the SDCR[MODE_EN] bit.
2. Write the SDMR[BA] bits to select the mode register.
3. Write the desired mode register value to the SDMR[ADDR]. Don't overwrite the SDMR[BA] values.
4. Set the SDMR[CMD] bit.
5. For DDR, repeat from step 2 for the extended mode register.
6. Clear the SDCR[MODE_EN] bit.

18.5.1.5.1 Mode Register Definition

Figure 18-6 shows the mode register definition. Note that this is the SDRAM's mode register not the SDRAMC's mode/extended mode register (SDMR) defined in Section 18.7.4, "SDRAM Mode/Extended Mode Register (SDMR)."

	BA1	BA0	A11	A10	A9	A8	A7	A6	A5	A4	A3	A2	A1	A0
Field	0	0	OP_MODE				CASL		BT	BLEN				

Figure 18-6. Mode Register

Table 18-4. Mode Register Field Descriptions

Address Line	Description
BA[1:0]	Bank Address. These must both be zero to select the mode register.
A11–A7	Operating Mode. 00000 Normal Operation 00010 Reset DLL Other values should not be used.
A6–A4	CAS latency. Delay in clocks from issuing a READ to valid data out. Check the SDRAM manufacturer's spec as the CASL settings supported can vary from memory to memory.
A3	Burst Type. 0 Sequential 1 Interleaved. This setting should not be used since the SDRAMC does not support interleaved bursts.
A2–A0	Burst length. Determines the number of locations that are accessed for a single READ or WRITE. 000 One. This is only a valid setting for SDR. 001 Two 010 Four 011 Eight (This value should be used for the MCF547x SDRAMC) 100–110 Reserved 111 Full page. This setting should not be used since full page bursting is not supported by the SDRAMC.

18.5.1.5.2 Extended Mode Register Definition

Figure 18-7 shows the extended mode register used by DDR SDRAMs. Note that this is the SDRAM's extended mode register, not the SDRAMC's mode/extended mode register (SDMR) defined in Section 18.7.4, "SDRAM Mode/Extended Mode Register (SDMR)."

	BA1	BA0	A11	A10	A9	A8	A7	A6	A5	A4	A3	A2	A1	A0
Field	0	1	OPTION											DLL

Figure 18-7. Extended Mode Register

Table 18-5. Extended Mode Register Field Descriptions

Address Line	Description
BA[1:0]	Bank Address. 00 Does not select the extended mode register 01 Selects the extended mode register 1x Reserved
A11–A1	Option. These bits are not defined by the DDR specification. Each DDR SDRAM manufacturer can use these bits to implement optional features. Check with SDRAM manufacturer to determine if any optional features have been implemented. For normal operation all bits should be cleared.
A0	Delay locked loop. Controls enabling of the delay locked loop circuitry used for DDR timing. 0 Enabled 1 Disabled.

18.5.1.6 Auto Refresh Command (REF)

The memory controller issues auto refresh commands according to the SDCR[RC] value. Each time the programmed refresh interval elapses, the memory controller issues a PALL command followed by a REF command.

If a memory access is in progress at the time the refresh interval elapses, the memory controller schedules the refresh after the transfer is finished; but the interval timer continues counting so that the average refresh rate is constant.

After REF, the SDRAM is in an idle state and waits for an ACTV command.

18.5.1.7 Self Refresh (SREF) and Power Down (PDWN) Commands

The memory controller issues either a PDWN or a SREF command if the SDCR[CKE] bit is cleared. If the SDCR[REF] bit is set when CKE is negated, the controller issues a SREF command; if the REF bit is cleared, the controller issues a PDWN command. The REF bit may be changed in the same register write that changes the CKE bit; the controller will act upon the new value of the REF bit.

Just like a REF, the controller automatically issues a PALL command before the self refresh command.

The memory is reactivated from power down or self refresh mode by setting the CKE bit.

If a normal refresh interval elapses while the memory is in self refresh mode, a PALL and REF will be performed as soon as the memory is reactivated. If the memory is put into and brought out of self refresh all within a single refresh interval, the next automatic refresh will occur on schedule.

In self refresh mode, the memory does not require an external clock. To restart periodic refresh when the memory is reactivated, the REF bit must be reasserted. This can be done before the memory is reactivated, or in the same control register write that sets CKE to exit self refresh mode.

18.5.2 Power-Up Initialization

SDRAMs have a prescribed initialization sequence. The following sections detail the memory initialization steps for both SDR and DDR SDRAM. The sequence might change slightly from device-to-device. Refer to the device datasheet as the most relevant reference.

18.5.2.1 SDR Initialization

SDR initialization requires the following steps:

1. After reset is deactivated, pause for the amount of time indicated in the SDRAM specification. Usually 100 μ s or 200 μ s.
2. Initialize the SDRAM drive strength (SDRAMDS) and SDRAM chip select configuration (CS n CFG) registers.
3. Program the SDRAM configuration registers (SDCFG1 and SDCFG2) with the correct delay and timing values.
4. Issue a PALL command. Initialize the SDRAM control register (SDCR) with SDCR[IPALL] set. The SDCR[MODE_EN, REF, and IREF] bits should all remain cleared for this step.
5. Refresh the SDRAM. The SDRAM spec should indicate a number of refresh cycles to be performed before issuing an LMR command. Write to the SDCR with the IREF bit set (SDCR[MODE_EN, REF, and IPALL] should be cleared). This will force a refresh of the SDRAM each time the IREF bit is set. Repeat this step until the specified number of refresh cycles have completed.
6. Set SDCR[REF] to enable automatic refreshing for the rest of the initialization and regular operation. SDCR[MODE_EN, REF, and IPALL] remain cleared.
7. Initialize the SDRAM's mode register using the LMR command. See [Section 18.5.1.5, "Load Mode/Extended Mode Register Command \(LMR, LEMR\)"](#) for more instruction on issuing an LMR command.

18.5.2.2 DDR Initialization

The steps for DDR initialization are similar to the SDR initialization sequence; however, there are some additional steps required for DDR:

1. After reset is deactivated, pause for the amount of time indicated in the SDRAM specification. Usually 100 μ s or 200 μ s.
2. Initialize the SDRAM drive strength (SDRAMDS) and SDRAM chip select configuration (CS n CFG) registers.
3. Program the SDRAM configuration registers (SDCFG1 and SDCFG2) with the correct delay and timing values.
4. Issue a PALL command. Initialize the SDRAM control register (SDCR) with SDCR[IPALL] set. The SDCR[REF, and IREF] bits should remain cleared for this step.
5. Initialize the SDRAM's extended mode register to enable the DLL. See [Section 18.5.1.5, "Load Mode/Extended Mode Register Command \(LMR, LEMR\)"](#) for instructions on issuing an LEMR command.
6. Initialize the SDRAM's mode register and reset the DLL using the LMR command. See [Section 18.5.1.5, "Load Mode/Extended Mode Register Command \(LMR, LEMR\)"](#) for more instruction on issuing an LMR command. During this step the OP_MODE field of the mode register should be set to "normal operation/reset DLL."
7. Pause for the DLL lock time specified by the memory.

8. Issue a second PALL command. Initialize the SDRAM control register (SDCR) with SDCR[IPALL] set. The SDCR[REF, and IREF] bits should remain cleared for this step.
9. Refresh the SDRAM. The SDRAM spec should indicate a number of refresh cycles to be performed before issuing an LMR command. Write to the SDCR with the IREF bit set (SDCR[MODE_EN, REF, and IPALL] should be cleared). This will force a refresh of the SDRAM each time the IREF bit is set. Repeat this step until the specified number of refresh cycles have been completed.
10. Initialize the SDRAM's mode register using the LMR command. See [Section 18.5.1.5, "Load Mode/Extended Mode Register Command \(LMR, LEMR\)"](#) for more instruction on issuing an LMR command. During this step the OP_MODE field of the mode register should be set to "normal operation."
11. Set SDCR[REF] to enable automatic refreshing, and clear SDCR[MODE_EN] to lock the SDCR. SDCR[MODE_EN, IREF, and IPALL] remain cleared.

18.6 Functional Overview

18.6.1 Page Management

SDRAM devices have four internal banks. A particular row and bank of memory must be activated to allow read and write accesses. The SDRAM controller supports paging mode to maximize the memory access throughput. During operation, the SDRAM controller maintains an open page address for each SDCS block. An open page is composed of the active rows in the internal banks.

SDRAMs can have a different row address open in each bank, but the SDRAMC does not support this. The page size of a SDCS block is equal to the space size divided by the number of rows; but the page may not be contiguous in the XLB address space because the internal address bits used for memory column address [11:8] and column address [7:0] are not consecutive.

Because the column address may be split across two portions of the XLB address, the contiguous page size is (number of banks) \times (256 columns) \times (number of bits). This gives a contiguous page size of 4 Kbytes. However, the total (possibly fragmented) page size is (number of banks) \times (number of columns) \times (number of bits).

If a new access does not fall in the open page of a SDCS block, the open page must be closed (PALL) and the new page must be opened (ACTV), then the READ or WRITE command can proceed. An ACTV command only activates one bank of a page. If another read or write falls in an inactive bank of the open page, another ACTV is needed but no precharge is needed. If a read or write falls in any of the active banks of the open page, no PALL or ACTV is needed; the read or write command can be issued immediately.

A page is kept open until one of the following conditions occurs:

- an access outside the open page
- a refresh cycle is started.

All SDCS blocks are refreshed at the same time; the refresh closes all banks of every SDRAM block.

18.6.2 Transfer Size

In the MCF547x, the internal data bus is 64 bits wide, while the SDRAM external interface bus is 32 bits wide. Therefore, each XLB data beat requires two memory data beats. The SDRAM controller manages the size translation (packing/unpacking) between 64- and 32-bit buses.

The SDRAM controller supports all possible XLB transfer sizes. SDRAMs are “burst only” devices; unnecessary beats on the memory bus are masked (write) or discarded (read).

The SDRAMC will perform line bursts (32 byte) for all SDRAM access. This requires two beats of 16 bytes on the XLB, or eight beats of 4 bytes (one longword) on the memory bus. The SDRAM controller transfers the critical longword first, followed by the next three sequential longwords.

The burst size and transfer order must be programmed in the SDRAM mode registers during initialization (SDMR); the burst size also must be programmed in the memory controller (SDCFG2).

In a write operation, the data masks, SDDM[3:0], are used to inhibit writing unused bytes of each beat. In a read operation, the excess read data is discarded.

18.7 Memory Map/Register Definition

The SDRAM controller contains four programming registers.

18.7.1 Memory Map

Table 18-6. SDRAMC Memory Map

Address (MBAR +)	Name	Byte0	Byte1	Byte2	Byte3	Access
SDRAM Chip Select and Drive Strength Registers						
0x04	SDRAM Drive Strength Register	SDRAMDS				R/W
0x20	SDRAM Chip Select 0 Configuration	CS0CFG				R/W
0x24	SDRAM Chip Select 1 Configuration	CS1CFG				R/W
0x28	SDRAM Chip Select 2 Configuration	CS2CFG				R/W
0x2C	SDRAM Chip Select 3 Configuration	CS3CFG				R/W
SDRAMC Configuration Registers						
0x0100	SDRAM Mode/Extended Mode Register	SDMR				R/W
0x0104	SDRAM Control Register	SDCR				R/W
0x0108	SDRAM Configuration Register 1	SDCFG1				R/W
0x010C	SDRAM Configuration Register 2	SDCFG2				R/W

18.7.2 SDRAM Drive Strength Register (SDRAMDS)

	31	30	29	28	27	26	25	24	23	22	21	20	19	18	17	16
R	0	0	0	0	0	0	0	0	0	0	0	0	0	0	0	0
W																
Reset	0	0	0	0	0	0	0	0	0	0	0	0	0	0	0	0
Reg Addr	MBAR + 0x04															
	15	14	13	12	11	10	9	8	7	6	5	4	3	2	1	0
R	0	0	0	0	0	0	SB_E		SB_C		SB_A		SB_S		SB_D	
W																
Reset	0	0	0	0	0	0	1	1	1	1	1	1	1	1	1	1
Reg Addr	MBAR + 0x04															

Figure 18-8. SDRAM Drive Strength Register (SDRAMDS)

Table 18-7. SDRAMDS Field Descriptions

Bits	Name	Description
31–10	—	Reserved. Should be cleared
9–8	SB_E	Controls the drive strength of SDCKE. See Table 18-8 for encodings.
7–6	SB_C	Controls the drive strength of SDRAM clocks. See Table 18-8 for encodings.
5–4	SB_A	Controls the drive strength of SDCS[3:0], $\overline{\text{RAS}}$, $\overline{\text{CAS}}$, $\overline{\text{SDWE}}$, SDADDR[12:0], and SDBA[1:0]. See Table 18-8 for encodings.
3–2	SB_S	Controls the drive strength of SDRDQS. See Table 18-8 for encodings.
1–0	SB_D	Controls the drive strength of SDDATA[31:0], SDDM[3:0], and SDQS[3:0]. See Table 18-8 for encodings.

Table 18-8. SDRAM Drive Strength Bit Encodings

SB_x[1:0]	SD_VDD ¹	Drive
10	3.3	8mA; SSTL_3 Class I
01	3.3	16mA; SSTL_3 Class II
00	3.3	24mA; SSTL_3
10	2.5	7.6mA; SSTL_2 Class I
01	2.5	13mA
00	2.5	15mA; SSTL_2 Class II
11	X	No Drive;Hi-Z

¹ 3.3V is for SDR mode, 2.5V is for DDR mode

18.7.3 SDRAM Chip Select Configuration Registers (CS_nCFG)

	31	30	29	28	27	26	25	24	23	22	21	20	19	18	17	16
R	CSBA												0	0	0	0
W																
Reset	0	0	0	0	0	0	0	0	0	0	0	0	0	0	0	0
Reg Addr	MBAR + 0x20 (CS0CFG), 0x24 (CS1CFG), 0x28 (CS2CFG), 0x2C (CS3CFG)															
	15	14	13	12	11	10	9	8	7	6	5	4	3	2	1	0
R	0	0	0	0	0	0	0	0	0	0	0	CSSZ				
W																
Reset	0	0	0	0	0	0	0	0	0	0	0	0	0	0	0	0
Reg Addr	MBAR + 0x20 (CS0CFG), 0x24 (CS1CFG), 0x28 (CS2CFG), 0x2C (CS3CFG)															

Figure 18-9. SRAM Chip Select Configuration Register (CS_nCFG)

Table 18-9. CFnCFG Field Descriptions

Bits	Name	Description
31–20	CSBA	Chip select base address.
19–5	—	Reserved. Should be cleared.
4–0	CSSZ	Chip select size. 00000 Disabled 00001 – 10010 Reserved 10011 1 Mbyte, compare A[31:20] 10100 2 Mbyte, compare A[31:21] 10101 4 Mbyte, compare A[31:22] 10110 8 Mbyte, compare A[31:23] 10111 16 Mbyte, compare A[31:24] 11000 32 Mbyte, compare A[31:25] 11001 64 Mbyte, compare A[31:26] 11010 128 Mbyte, compare A[31:27] 11011 256 Mbyte, compare A[31:28] 11100 512 Mbyte, compare A[31:29] 11101 1 Gbyte, compare A[31:30] 11110 2 Gbyte, compare A31 11111 4 Gbyte, ignore A[31:20]

Any chip select can be enabled or disabled, independent of others. Any chip select can be allocated any size of address space from 1 Mbyte to 4 Gbyte, independent of others. Any chip select address space can begin at any size-aligned base address, independent of others.

For contiguous memory with different sizes of mem banks, place largest bank at lowest address, then place smaller banks in descending size order at ascending base address.

For example, assume CS0 = 16M, CS1 = empty, CS2 = 64M, CS3 = 64M, CS4 = 256M, CS5 = empty:

CS0CFG = 98000017 = enable 16M @ 0x9800 0000-0x98FF FFFF

CS1CFG = 00000000 = disable

CS2CFG = 90000019 = 64M @ 0x9000 0000-0x93FF FFFF

CS3CFG = 94000019 = 64M @ 0x9400 0000-0x97FF FFFF

CS4CFG = 8000001b = 256M @ 0x8000 0000-0x8FFF FFFF

CS5CFG = 00000000 = disable

This gives 400 Mbyte total memory, at 0x8000 0000-0x98FF FFFF

18.7.4 SDRAM Mode/Extended Mode Register (SDMR)

The SDMR, shown in Figure 18-10, is used to write to the mode and extended mode registers that physically reside within in the SDRAM chips. These registers must be programmed during SDRAM initialization. See Section 18.5.2, “Power-Up Initialization” for more information on the initialization sequence.

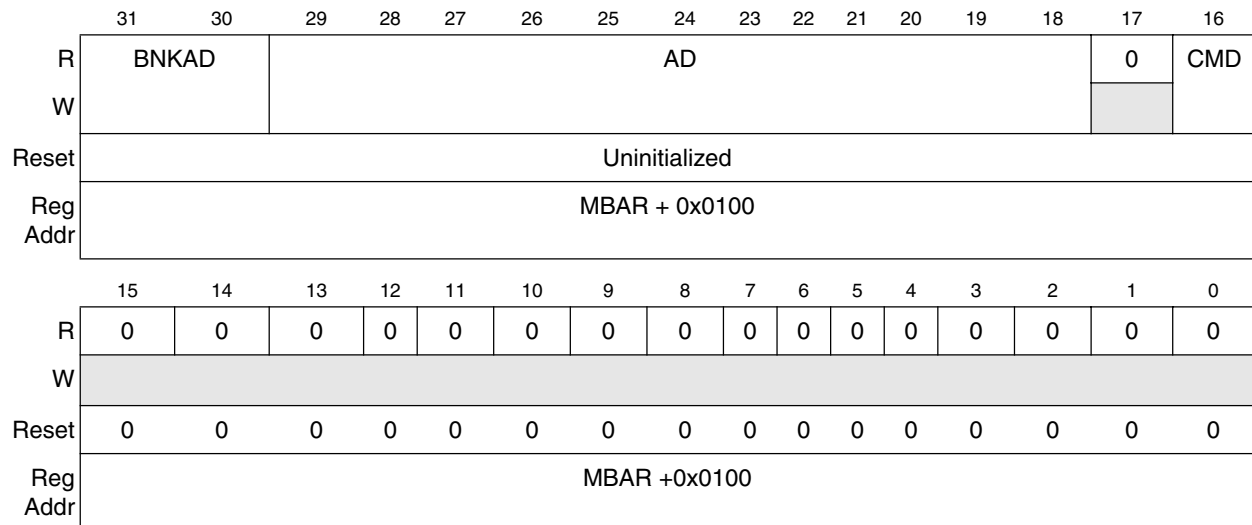


Figure 18-10. SDRAM Mode/Extended Mode Register (SDMR)

Table 18-10. SDMR Field Descriptions

Bits	Name	Description
31–30	BNKAD	Bank address. Driven onto SDBA[1:0] along with a LMR/LEMR command. All SDRAM chip selects are asserted simultaneously. SDCR[CKE] must be set before attempting to generate an LMR/LEMR command. The SDBA[1:0] value is used to select between LMR and LEMR commands. 00 Load mode register command (LMR) 01 Load extended mode register command (LEMR) 10–11 Reserved
29–18	AD	Address. Driven onto SDADDR[11:0] along with an LMR/LEMR command. The AD value is stored as the mode (or extended mode) register data.
17	—	Reserved. Should be cleared.
16	CMD	Command. 1 Generate an LMR/LEMR command 0 Do not generate any command
15–0	—	Reserved. Should be cleared.

18.7.5 SDRAM Control Register (SDCR)

The SDCR, shown in [Figure 18-11](#), controls SDRAMC operating modes including the refresh count and address line muxing.

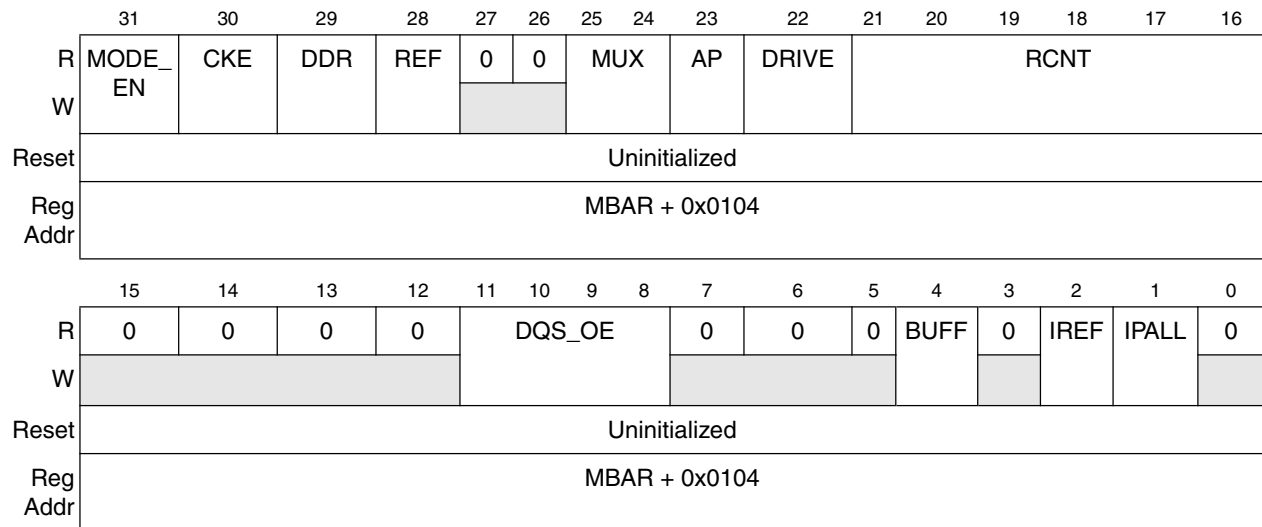


Figure 18-11. SDRAM Control Register (SDCR)

Table 18-11. SDCR Field Descriptions

Bits	Name	Description
31	MODE_EN	Mode enable. 0 Mode register locked, cannot be written 1 Mode register enabled, can be written
30	CKE	Clock enable. 0 SDCKE is negated (low) 1 SDCKE is asserted (high)
29	DDR	DDR mode select. 0 SDR mode 1 DDR mode
28	REF	Refresh enable. 0 Automatic refresh disabled 1 Automatic refresh enabled
27–26	—	Reserved. Should be cleared.
25–24	MUX	Muxing control. Selects routing of addr[7:4] as row or column address bits as shown in Table 18-2 .
23	AP	Auto precharge control bit. 0 CA10 is the auto precharge control bit 1 Reserved

Table 18-11. SDCR Field Descriptions (Continued)

Bits	Name	Description
22	DRIVE	Drive rule selection. 0 Tri-state except to write. SDDATA and SDDQS are only driven when necessary to perform a write. 1 Drive except to read. SDDATA and SDDQS are only tristated when necessary to perform a read. When not being driven for a write cycle, SDDATA hold the most recent value and SDDQS are driven low. This mode is intended for minimal applications only, to prevent floating signals and allow unterminated board traces. However, terminated wiring is always recommended over unterminated.
21–16	RCNT	Refresh Count. Controls automatic refresh frequency. The number of bus clocks between refresh cycles is $(RC + 1) \times 64$. $RCNT = (t_{REFI} / (SDCLK \times 64)) - 1$, rounded down to the next integer value.
15–12	—	Reserved. Should be cleared.
11–8	DQS_OE	DQS output enable. Each DQS_OE bit is a master enable for the corresponding SDDQS _n signal. 1 SDDQS _n can drive as necessary, depending on commands and SDCR[DRIVE] setting. 0 SDDQS _n can never drive. Use this value in SDR mode or in DDR mode with a “single DQS” memory. Some 32-bit DDR devices only have a single DQS pin. Enable one of the SDDQS _n signals and disable the other three. Then short all 4 pins external to the part.
7–5	—	Reserved. Should be cleared.
4	BUFF	Buffering mode. Selects between buffered and unbuffered memory timing. Buffered and unbuffered memory cannot be mixed. 1 System uses “buffered” memory modules. 0 System does not use “buffered” memory modules.
3	—	Reserved. Should be cleared.
2	IREF	Initiate Refresh (REF) command. Used to force a software initiated Refresh command. 1 Generate a Refresh command. All \overline{SDCSn} signals are asserted simultaneously. SDCR[CLK_EN] must be set before attempting to generate a software refresh command. 0 Do not generate a Refresh command.
1	IPALL	Initiate Precharge All command. Used to force a software initiated PALL command. 1 Generate a PALL command. All \overline{SDCSn} signals are asserted simultaneously. SDCR[CKE] must be set before attempting to generate a software PALL command. 0 Do not generate a PALL command.
0	—	Reserved. Should be cleared.

18.7.6 SDRAM Configuration Register 1 (SDCFG1)

The 32-bit read/write SDRAM configuration register 1 (SDCFG1) stores delay values necessary between specific SDRAM commands. During initialization, software loads values to the register according to the selected SDCLK frequency and SDRAM specifications. This register is reset only by a power-up reset signal.

The read and write latency fields govern the relative timing of commands and data, and must be exact values. All other fields govern the relative timing from one command to another, they have minimum values but any larger value is also legal (but with decreased performance).

The minimum values of certain fields can be different for SDR and DDR SDRAM, even if the data sheet timing is the same, because:

- In SDR mode, the memory controller counts the delay in SDCLK
- In DDR mode, the memory controller counts the delay in SDCLK × 2

SDCLK—memory controller clock—is the speed of the SDRAM interface and is equal to the internal bus clock.

SDCLK × 2—double frequency of SDCLK—DDR uses both edges of the bus-frequency clock (SDCLK) to read/write data

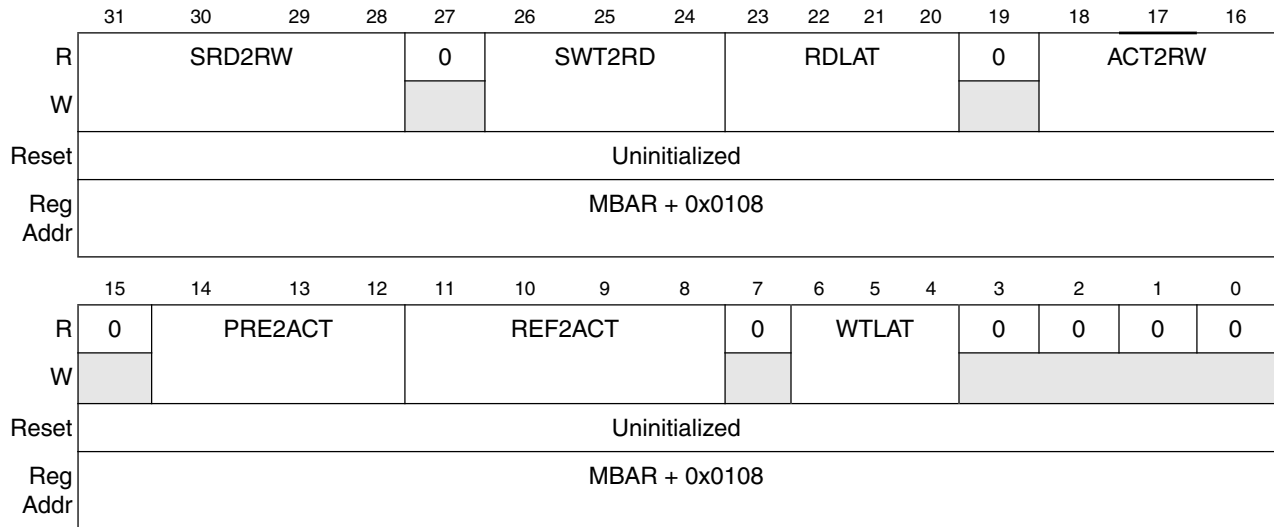


Figure 18-12. SDRAM Configuration Register 1 (SDCFG1)

Table 18-12. SDCFG1 Field Descriptions

Bits	Name	Description
31–28	SRD2RW	Single Read to Read/Write/Precharge delay. Limiting case is usually Write to Precharge. DDR mode: SRD2RW = CASL + (BL/2) + 1 For DDR, suggested value = 0x7 SDR mode: SRD2RW = CASL + BL + 1 If CASL=2, suggested value = 0xB If CASL=3, suggested value = 0xC
27	—	Reserved. should be cleared
26–24	SWT2RD	Single Write to Read/Write/Precharge delay. Limiting case is Write to Precharge. DDR mode: SWT2RD = t _{WR} /SDCLK + 1, suggested value = 0x3 SDR mode: SWT2RD = t _{WR} , suggested value = 0x2

Table 18-12. SDCFG1 Field Descriptions (Continued)

Bits	Name	Description
23–20	RDLAT	Read CAS Latency. Read latency. Read command to read data available delay counter. DDR mode: If CASL = 2, write 0x6 If CASL = 2.5, write 0x7 SDR mode: If CASL = 2, write 0x2 If CASL = 3, write 0x3 NOTE: CASL=2.5 is not supported for SDR.
19	—	Reserved. Should be cleared.
18–16	ACT2RW	Active to Read/Write delay. Active command to any following read or write delay counter. Suggested value = $t_{RCD}/SDCLK - 1$ (Round up to nearest integer) EXAMPLE: If $t_{RCD} = 20ns$ and $SDCLK = 99 MHz$ $20ns / 10.1 ns = 1.98$; round to 2; write 0x1. Note: Count value is in SDCLK periods for both SDR and DDR mode.
15	—	Reserved. Should be cleared.
14–12	PRE2ACT	Precharge to Active delay. Precharge command to following Active command delay counter. Suggested value = $t_{RP}/SDCLK - 1$ (Round up to nearest integer) EXAMPLE: If $t_{RP} = 20ns$ and $SDCLK = 99MHz$ $20ns / 10.1ns = 1.98$; round to 2; write 0x1. Note: Count value is in SDCLK periods for both SDR and DDR mode.
11–8	REF2ACT	Refresh to Active delay. Refresh command to following Active or Refresh command delay counter. Suggested value = $t_{RFC}/SDCLK - 1$ (Round up to nearest integer) EXAMPLE: If $t_{RFC} = 75ns$ and $SDCLK = 99MHz$ $75ns / 10.1ns = 7.425$; round to 8; write 0x7. Note: Count value is in SDCLK periods for both SDR and DDR mode.
7	—	Reserved. Should be cleared.
6–4	WTLAT	Write latency. Write command to write data delay counter. For DDR, write 0x3 For SDR, write 0x0
3–0	—	Reserved. Should be cleared.

18.7.7 SDRAM Configuration Register 2 (SDCFG2)

The 32-bit read/write configuration register 2 stores delay values necessary between specific SDRAM commands. During initialization, software loads values to the register according to the SDRAM information obtained from the data sheet. This register is reset only by a power-up reset signal.

The burst length (BL) field must be exact. All other fields govern the relative timing from one command to another, they have minimum values, but any larger value is also legal (but with decreased performance). All delays in this register are expressed in SDCLK.

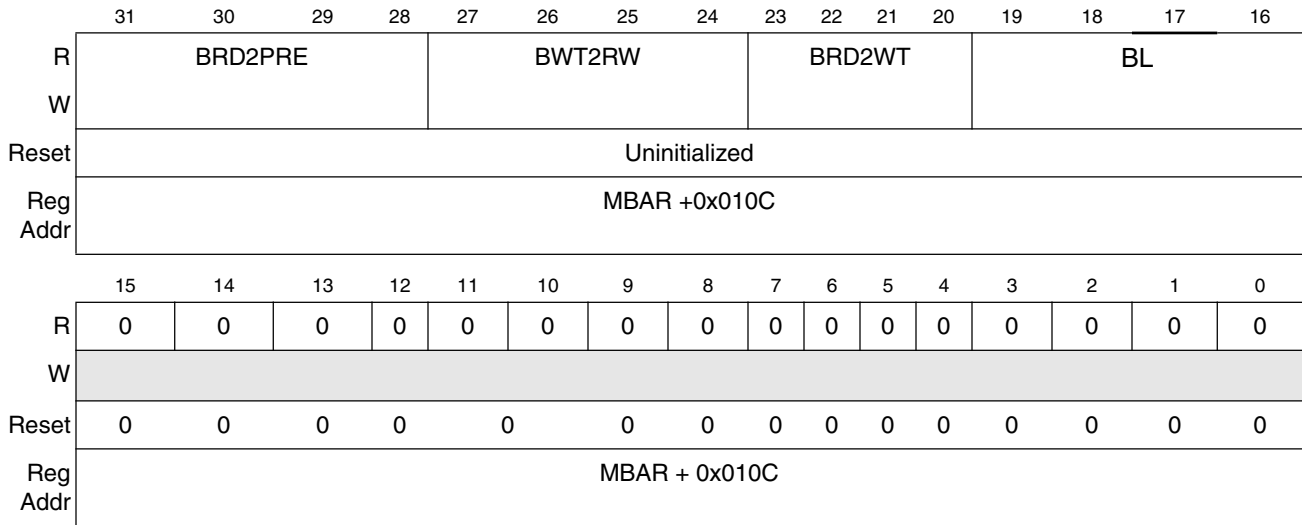


Figure 18-13. SDRAM Configuration Register 2 (SDCFG2)

Table 18-13. SDCFG2 Field Descriptions

Bits	Name	Description
31–28	BRD2PRE	Burst Read to Read/Precharge delay. Limiting case is Read to Read. For DDR, suggested value = 0x4 (BurstLength/2) For SDR, suggested value = 0x8 (BurstLength)
27–24	BWT2RW	Burst Write to Read/Write/Precharge delay. Limiting case is Write to Precharge. For DDR, suggested value = 0x6 (BurstLength/2 + t _{WR}) For SDR, suggested value = 0x8 (BurstLength + t _{WR} - 2 Clocks)
23–20	BRD2WT	Burst Read to Write delay. For DDR, suggested value = 0x7 For SDR: If CASL = 2, suggested value = 0xB If CASL = 3, suggested value = 0xC
19–16	BL	Burst Length. Write 0x7 (Burst Length - 1)
15–0	—	Reserved. Should be cleared.

18.8 SDRAM Example

18.9 SDRAM Example

This example interfaces two 16M × 16-bit × 4 bank DDR SDRAM components to an MCF547x operating at a 120 MHz SDCLK frequency. [Table 18-14](#) lists design specifications for this example.

Table 18-14. SDRAM Example Specifications

Parameter	Specification
13 row and 9 column addresses	
Two bank-select lines to access four internal banks	
Allowable burst lengths	2, 4, or 8
CAS latency	2
Clock cycle time (t_{CK})	7.5ns (min)
ACTV-to-read/write delay (t_{RCD})	15 ns (min) 18ns (max)
Write recovery timer (t_{WR})	15 ns
Precharge command to ACTV command (t_{RP})	15 ns (min) 18ns (max)
Auto refresh command period (t_{RFC})	72ns (min) 75ns (max)
Average periodic refresh interval (t_{REFI})	7.8 μ s

18.9.1 SDRAM Signal Drive Strength Settings

The SDRAMDS should be programmed as shown in Figure 18-14. The settings assume the normal drive strength for 2.5V drive, 7.6mA, is sufficient for the loading in the system.

	31	30	29	28	27	26	25	24	23	22	21	20	19	18	17	16
Field	—															
Setting	0000_0000_0000_0000															
(hex)	0				0				0				0			
	15	14	13	12	11	10	9	8	7	6	5	4	3	2	1	0
Field	—				SB_E		SB_C		SB_A		SB_S		SB_D			
Setting	0000_0010_1010_1010															
(hex)	0				2				A				A			

Figure 18-14. SDRAM Example Drive Strength Settings (SDRAMDS)

This configuration results in a value of SDRAMDS = 0x0000_02AA, as described in Table 18-15.

Table 18-15. SDRAMDS Field Descriptions

Bits	Name	Setting	Description
31–10	—	0	Reserved. Should be cleared
9–8	SB_E	10	2.5V, 7.6mA SSTL_2 Class I drive
7–6	SB_C	10	2.5V, 7.6mA SSTL_2 Class I drive
5–4	SB_A	10	2.5V, 7.6mA SSTL_2 Class I drive
3–2	SB_S	10	2.5V, 7.6mA SSTL_2 Class I drive
1–0	SB_D	10	2.5V, 7.6mA SSTL_2 Class I drive

18.9.2 SDRAM Chip Select Settings

For this example, the SDRAM will be connected to $\overline{\text{SDCS0}}$ with a base address of 0x0. All other chip selects are unused and do not need to be initialized. The CS0CFG should be programmed as shown in Figure 18-15.

	31	30	29	28	27	26	25	24	23	22	21	20	19	18	17	16
Field	BA												—			
Setting	0000_0000_0000_0000															
(hex)	0				0				0				0			
	15	14	13	12	11	10	9	8	7	6	5	4	3	2	1	0
Field	—												CSSZ			
Setting	0000_0000_0001_1001															
(hex)	0				0				1				9			

Figure 18-15. SDRAM Example Chip Select 0 Configuration Settings (CS0CFG)

This configuration results in a value of SDRAMDS = 0x0000_0019, as described in Table 18-16.

Table 18-16. CS0CFG Field Descriptions

Bits	Name	Setting	Description
31–20	BA	0	Base address is set to 0x0
19–5	—	0	Reserved. Should be cleared.
4–0	CSSZ	1101	Total size is 64 Mbytes. 2 x 256Mbit = 64Mbytes

18.9.3 SDRAM Configuration 1 Register Settings

The SDCFG1 register should be programmed as shown in Figure 18-16.

	31	30	29	28	27	26	25	24	23	22	21	20	19	18	17	16	
Field	SRD2RW				—	SWT2RD				RDLAT				—	ACT2RW		
Setting	0111_0011_0110_0010																
(hex)	7					3				6					2		
	15	14	13	12	11	10	9	8	7	6	5	4	3	2	1	0	
Field	—	PRE2ACT			REF2ACT					WTLAT			—				
Setting	0010_1000_0011_0000																
(hex)		2			8					3			0				

Figure 18-16. SDRAM Example Configuration Register 1 Settings (SDCFG1)

This configuration results in a value of SDCFG1 = 0x7362_2830, as described in Table 18-17.

Table 18-17. SDCFG1 Field Descriptions

Bits	Name	Setting	Description
31–28	SRD2RW	111	$SRD2RW = CASL + (\text{burst length}/2) + 1 = 2 + 4 + 1 = 7$
27	—	0	Reserved. Should be cleared.
26–24	SWT2RD	011	$SWT2RD = t_{WR}/SDCLK + 1 = 15\text{ns}/8.3\text{ns} + 1 = 2.8$ clocks, rounded up to 3
23–20	RDLAT	0110	0x6 is the recommended value for DDR memory with a CASL of 2
19	—	0	Reserved. Should be cleared.
18–16	ACT2RW	010	$ACT2RW = t_{RCD}/SDCLK - 1 = 18\text{ns}/8.3\text{ns} - 1 = 2.16 - 1 = 1.16$, rounded up to 2
15	—	0	Reserved. Should be cleared.
14–12	PRE2ACT	010	$PRE2ACT = t_{RP}/SDCLK - 1 = 18\text{ns}/8.3\text{ns} - 1 = 2.16 - 1 = 1.16$, rounded up to 2
11–8	REF2ACT	1000	$REF2ACT = t_{RFC}/SDCLK - 1 = 75\text{ns}/8.3\text{ns} - 1 = 9 - 1 = 8$
7	—	0	Reserved. Should be cleared.
6–4	WTLAT	011	0x3 is the recommended value for DDR
3–0	CSSZ	1101	Total size is 64 Mbytes. $2 \times 256\text{Mbit} = 64\text{Mbytes}$

18.9.4 SDRAM Configuration 2 Register Settings

The SDCFG2 register should be programmed as shown in [Figure 18-17](#).

	31	30	29	28	27	26	25	24	23	22	21	20	19	18	17	16
Field	BRD2PRE				BWT2RW				BRD2WT				BL			
Setting	0100_0110_0111_0111															
(hex)	4				6				7				7			
	15	14	13	12	11	10	9	8	7	6	5	4	3	2	1	0
Field	—															
Setting	0000_0000_0000_0000															
(hex)	0				0				0				0			

Figure 18-17. SDRAM Example Configuration Register 2 Settings (SDCFG2)

This configuration results in a value of SDCFG2 = 0x4677_0000, as described in [Table 18-18](#).

Table 18-18. SDCFG2 Field Descriptions

Bits	Name	Setting	Description
31–28	BRD2PRE	0100	BRD2PRE = burst length/2 = 8/2 = 4
27–24	BWT2RW	0110	BWT2RW = burst length/2 + t _{WR} = 8/2 + 2 = 4 + 2 = 6
23–20	BRD2WT	0111	0x7 is the recommended value for DDR
19–16	BL	0111	BL = burst length - 1 = 8 - 1 = 7
15–0	—	0	Reserved. Should be cleared.

18.9.5 SDRAM Control Register Settings and PALL command

The SDCR should be programmed as shown in [Figure 18-18](#). Along with the base settings for the SDCR the MODE_EN and IPALL bits are set to issue a PALL command to the SDRAM and enable writing of the mode register.

	31	30	29	28	27	26	25	24	23	22	21	20	19	18	17	16	
Field	MODE_EN	CKE	DDR	REF	—	MUX		AP	DRIVE	RCNT							
Setting	1110_0001_0000_1101																
(hex)	E				1				0				D				
	15	14	13	12	11	10	9	8	7	6	5	4	3	2	1	0	
Field	—				DQS_OE				—				BUFF	—	IREF	IPALL	—
Setting	0000_0000_0000_0010																
(hex)	0				0				0				2				

Figure 18-18. SDRAM Control Register Settings + MODE_EN and IPALL

This configuration results in a value of SDCR = 0xE10D_0002, as described in [Table 18-19](#).

Table 18-19. SDCR + MODE_EN and IPALL Field Descriptions

Bits	Name	Setting	Description
31	MODE_EN	1	Mode register is writable.
30	CKE	1	SDCKE is asserted
29	DDR	1	DDR mode is enabled
28	REF	0	Automatic refresh is disabled
27–26	—	00	Reserved. Should be cleared.
25–24	MUX	01	01 is the MUX setting for a 13 x 9 x 4 memory. See Table 18-2 .
23	AP	0	0 sets the auto precharge control bit to A10.
22	DRIVE	0	Data and DQS lines are only driven for a write cycle.
21–16	RCNT	001101	$RCNT = (t_{REFI} / (SDCLK \times 64)) - 1 = (7800ns / (8.3ns \times 64)) - 1 = 13.62$, round down to 13 (0xD)
15–12	—	0000	Reserved. Should be cleared.
11–8	DQS_OE	0000	0x0 disables drive for all SDDQS pins for now.
7–5	—	000	Reserved. Should be cleared.
4	BUFF	0	0 indicates that a buffered memory module is not being used.
3	—	0	Reserved. Should be cleared.
2	IREF	0	Do not initiate a REF command.
1	IPALL	1	Initiate a PALL command.
0	—	0	Reserved. Should be cleared.

18.9.6 Set the Extended Mode Register

The SDMR should be programmed as shown in [Figure 18-19](#). This step enables the DDR memory's DLL.

	31	30	29	28	27	26	25	24	23	22	21	20	19	18	17	16
Field	BNKAD		OPTION											DLL	—	CMD
Setting	0100_0000_0000_0001															
(hex)	4				0				0				1			
	15	14	13	12	11	10	9	8	7	6	5	4	3	2	1	0
Field	—															
Setting	0000_0000_0000_0000															
(hex)	0				0				0				0			

Figure 18-19. SDRAM Mode/Extended Mode Register Settings (SDMR)

This configuration results in a value of $SDMR = 0x4001_0000$, as described in [Table 18-20](#).

Table 18-20. SDMR Field Descriptions

Bits	Name	Setting	Description
31–30	BNKAD	01	01 selects the extended mode register.
29–18	OPTION	0	Optional operating modes for the DDR. 0 selects normal operation.
18	DLL	0	Enable the DLL.
17	—	0	Reserved. Should be cleared.
16	CMD	1	Initiate the LEMR command.
15–0	—	0	Reserved. Should be cleared.

18.9.7 Set the Mode Register and Reset DLL

The SDMR should be programmed as shown in [Figure 18-20](#). This step programs the mode register and resets the DLL.

	31	30	29	28	27	26	25	24	23	22	21	20	19	18	17	16
Field	BNKAD		OP_MODE				CASL			BT	BLEN			—	CMD	
Setting	0000_0100_1000_1101															
(hex)	0		4				8			D						
	15	14	13	12	11	10	9	8	7	6	5	4	3	2	1	0
Field	—															
Setting	0000_0000_0000_0000															
(hex)	0		0				0			0						

Figure 18-20. SDRAM Mode/Extended Mode Register Settings (SDMR)

This configuration results in a value of SDMR = 0x048D_0000, as described in [Table 18-21](#).

Table 18-21. SDMR Field Descriptions

Bits	Name	Setting	Description
31–30	BNKAD	00	00 selects the mode register.
29–25	OP_MODE	0010	Selects normal operating mode and resets the DLL.
24–22	CASL	010	CAS latency of two clocks.
21	BT	0	Sequential burst type.
20–18	BLEN	011	Burst length of eight
17	—	0	Reserved. Should be cleared.
16	CMD	1	Initiate the LMR command.
15–0	—	0	Reserved. Should be cleared.

18.9.8 Issue a PALL command

The SDCR should be programmed as shown in [Figure 18-21](#). This will issue a second PALL command to the memory. The same SDCR value calculated in [Section 18.9.5, “SDRAM Control Register Settings and PALL command”](#) is used (0xE10D_0002).

	31	30	29	28	27	26	25	24	23	22	21	20	19	18	17	16
Field	MODE_EN	CKE	DDR	REF	—		MUX	AP	DRIVE	RCNT						
Setting	1110_0001_0000_1101															
(hex)	E			1			0			D						
	15	14	13	12	11	10	9	8	7	6	5	4	3	2	1	0
Field	—			DQS_OE				—			BUFF	—	IREF	IPALL	—	
Setting	0000_0000_0000_0010															
(hex)	0			0				0			2					

Figure 18-21. SDRAM Control Register Settings + MODE_EN and IPALL

This configuration results in a value of SDCR = 0xE10D_0002, as described in [Table 18-22](#).

Table 18-22. SDCR + MODE_EN and IPALL Field Descriptions

Bits	Name	Setting	Description
31	MODE_EN	1	Mode register is writable.
30	CKE	1	SDCKE is asserted
29	DDR	1	DDR mode is enabled
28	REF	0	Automatic refresh is disabled
27–26	—	00	Reserved. Should be cleared.
25–24	MUX	01	01 is the MUX setting for a 13 x 9 x 4 memory. See Table 18-2 .
23	AP	0	0 sets the auto precharge control bit to A10.
22	DRIVE	0	Data and DQS lines are only driven for a write cycle.
21–16	RCNT	001101	$RCNT = (t_{REFI} / (SDCLK \times 64)) - 1 = (7800ns / (8.3ns \times 64)) - 1 = 13.62$, round down to 13 (0xD)
15–12	—	0000	Reserved. Should be cleared.
11–8	DQS_OE	0000	0x0 disables drive for all SDDQS pins for now.
7–5	—	000	Reserved. Should be cleared.
4	BUFF	0	0 indicates that a buffered memory module is not being used.
3	—	0	Reserved. Should be cleared.
2	IREF	0	Do not initiate a REF command.
1	IPALL	1	Initiate a PALL command.
0	—	0	Reserved. Should be cleared.

18.9.9 Perform Two Refresh Cycles

The SDCR should be programmed as shown in [Figure 18-22](#). Along with the base settings for the SDCR the MODE_EN and IREF bits are set to issue a REF command to the SDRAM and enable writing of the mode register. The memory used in this example requires two refresh cycles, so this step is repeated twice.

	31	30	29	28	27	26	25	24	23	22	21	20	19	18	17	16
Field	MODE_EN	CKE	DDR	REF	—		MUX	AP	DRIVE	RCNT						
Setting	1110_0001_0000_1101															
(hex)	E			1			0			D						
	15	14	13	12	11	10	9	8	7	6	5	4	3	2	1	0
Field	—			DQS_OE				—			BUFF	—	IREF	IPALL	—	
Setting	0000_0000_0000_0100															
(hex)	0			0				0			4					

Figure 18-22. SDRAM Control Register Settings + MODE_EN and IREF

This configuration results in a value of SDCR = 0xE10D_0004, as described in [Table 18-19](#).

Table 18-23. SDCR + MODE_EN and IREF Field Descriptions

Bits	Name	Setting	Description
31	MODE_EN	1	Mode register is writable.
30	CKE	1	SDCKE is asserted
29	DDR	1	DDR mode is enabled
28	REF	0	Automatic refresh is disabled
27–26	—	00	Reserved. Should be cleared.
25–24	MUX	01	01 is the MUX setting for a 13 x 9 x 4 memory. See Table 18-2 .
23	AP	0	0 sets the auto precharge control bit to A10.
22	DRIVE	0	Data and DQS lines are only driven for a write cycle.
21–16	RCNT	001101	$RCNT = (t_{REF}/(SDCLK \times 64)) - 1 = (7800ns/(8.3ns \times 64)) - 1 = 13.62$, round down to 13 (0xD)
15–12	—	0000	Reserved. Should be cleared.
11–8	DQS_OE	0000	0x0 disables drive for all SDDQS pins for now.
7–5	—	000	Reserved. Should be cleared.
4	BUFF	0	0 indicates that a buffered memory module is not being used.
3	—	0	Reserved. Should be cleared.
2	IREF	1	Initiate a REF command.
1	IPALL	0	Do not initiate a PALL command.
0	—	0	Reserved. Should be cleared.

18.9.10 Clear the Reset DLL Bit in the Mode Register

The SDMR should be programmed as shown in [Figure 18-20](#). This step programs the mode register and enables normal operation of the DLL by clearing the “reset DLL” option.

	31	30	29	28	27	26	25	24	23	22	21	20	19	18	17	16
Field	BNKAD		OP_MODE				CASL			BT	BLEN			—	CMD	
Setting	0000_0000_1000_1101															
(hex)	0				0				8			D				
	15	14	13	12	11	10	9	8	7	6	5	4	3	2	1	0
Field	—															
Setting	0000_0000_0000_0000															
(hex)	0				0				0				0			

Figure 18-23. SDRAM Mode/Extended Mode Register Settings

This configuration results in a value of SDMR = 0x008D_0000, as described in [Table 18-21](#).

Table 18-24. SDMR Field Descriptions

Bits	Name	Setting	Description
31–30	BNKAD	00	00 selects the mode register.
29–25	OP_MODE	0000	Selects normal operating mode.
24–22	CASL	010	CAS latency of two clocks.
21	BT	0	Sequential burst type.
20–18	BLEN	011	Burst length of eight.
17	—	0	Reserved. Should be cleared.
16	CMD	1	Initiate the LMR command.
15–0	—	0	Reserved. Should be cleared.

18.9.11 Enable Automatic Refresh and Lock Mode Register

The SDCR should be programmed as shown in [Figure 18-24](#). Along with the base settings for the SDCR the REF bit is set to enable automatic refreshing of the memory. In addition, the MODE_EN bit is cleared to disable write to the SDMR.

	31	30	29	28	27	26	25	24	23	22	21	20	19	18	17	16	
Field	MODE_EN	CKE	DDR	REF	—	MUX	AP	DRIVE	RCNT								
Setting	0111_0001_0000_1101																
(hex)	7				1				0				D				
	15	14	13	12	11	10	9	8	7	6	5	4	3	2	1	0	
Field	—				DQS_OE				—				BUFF	—	IREF	IPALL	—
Setting	0000_1111_0000_0000																
(hex)	0				F				0				0				

Figure 18-24. SDRAM Control Register Settings + REF

This configuration results in a value of SDCR = 0x710D_0F00, as described in [Table 18-25](#).

Table 18-25. SDCR + REF Field Descriptions

Bits	Name	Setting	Description
31	MODE_EN	0	Mode register is not writable.
30	CKE	1	SDCKE is asserted
29	DDR	1	DDR mode is enabled
28	REF	1	Automatic refresh is enabled.
27–26	—	00	Reserved. Should be cleared.
25–24	MUX	01	01 is the MUX setting for a 13 x 9 x 4 memory. See Table 18-2 .
23	AP	0	0 sets the auto precharge control bit to A10.
22	DRIVE	0	Data and DQS lines are only driven for a write cycle.
21–16	RCNT	001101	$RCNT = (t_{REFI} / (SDCLK \times 64)) - 1 = (7800ns / (8.3ns \times 64)) - 1 = 13.62$, round down to 13 (0xD)
15–12	—	0000	Reserved. Should be cleared.
11–8	DQS_OE	1111	0xF enables drive for all SDDQS pins.
7–5	—	000	Reserved. Should be cleared.
4	BUFF	0	0 indicates that a buffered memory module is not being used.
3	—	0	Reserved. Should be cleared.
2	IREF	0	Initiate a REF command.
1	IPALL	0	Do not initiate a PALL command.
0	—	0	Reserved. Should be cleared.

18.9.12 Initialization Code

The following assembly code initializes the DDR SDRAM using the register values determined above.

Basic Configuration and Initialization:

```
move.l #0x000002AA, d0//Initialize SDRAMDS
move.l d0, SDRAMDS
move.l #0x00000019, d0//Initialize SDCS0
move.l d0, CS0CFG
move.l #0x73622830, d0//Initialize SDCFG1
move.l d0, SDCFG1
move.l #0x46770000, d0//Initialize SDCFG2
move.l d0, SDCFG2
```

Precharge Sequence and enable write to SDMR:

```
move.l #0xE10D0002, d0//Initialize SDCR, send PALL, enable SDMR
move.l d0, SDCR
```

Write Extended Mode Register:

```
move.l #0x40010000, d0//Write LEMR to enable DLL
move.l d0, SDMR
```

Write Mode Register and Reset DLL:

```
move.l #0x048D0000, d0//Write LMR and reset DLL
move.l d0, SDMR
```

Precharge Sequence:

```
move.l #0xE10D0002, d0//Send PALL
move.l d0, SDCR
```

Refresh Sequence:

```
move.l #0xE10D0004, d0//Send first REF command
move.l d0, SDCR
move.l #0xE10D0004, d0//Send second REF command
move.l d0, SDCR
```

Write Mode Register and Clear Reset DLL:

```
move.l #0x008D0000, d0//Write LMR and clear reset DLL
move.l d0, SDMR
```

Enable Auto Refresh and Lock SDMR:

```
move.l #0x710D0F00, d0//Enable auto refresh and clear MODE_EN
move.l d0, SDCR
```



THIS PAGE INTENTIONALLY LEFT BLANK

Chapter 19

PCI Bus Controller

19.1 Introduction

This chapter details the operation of the PCI bus controller for the MCF547X device. The PCI Bus Arbiter is detailed in Chapter 26, “PCI Bus Arbiter Module.”

19.1.1 Block Diagram

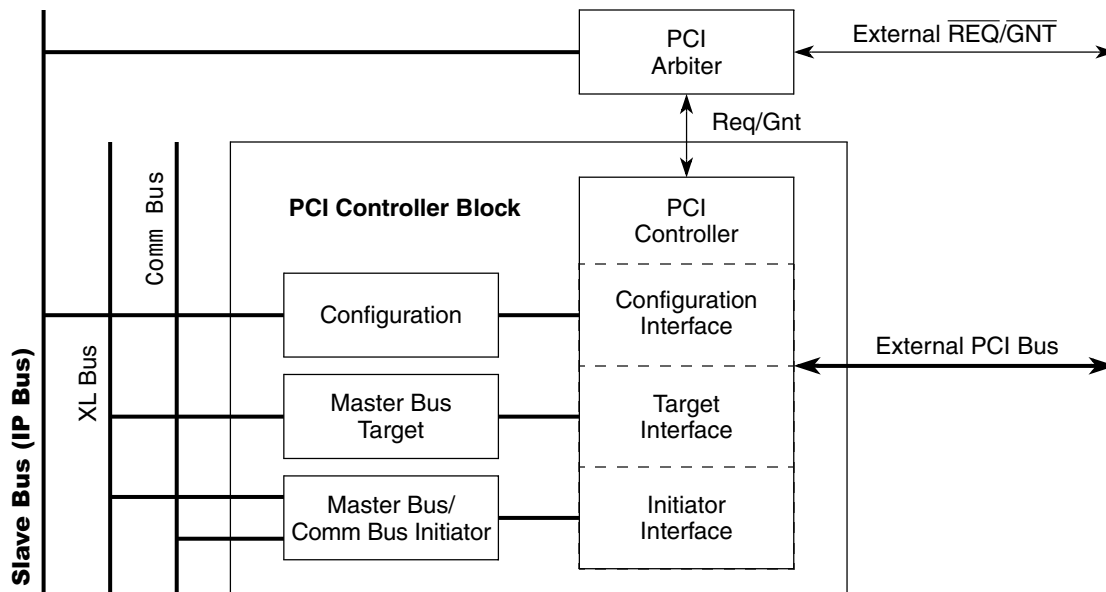


Figure 19-1. PCI Block Diagram

19.1.2 Overview

The peripheral component interface (PCI) bus is a high-performance bus with multiplexed address and data lines. It is especially suitable for high data-rate applications.

The PCI controller module supports a 32-bit PCI initiator (master) and target interface. As a target, access to the internal XL bus is supported. As an initiator, the PCI controller is coupled directly to the XL bus (as a slave) and available on the communication subsystem as a multichannel DMA peripheral.

The MCF547X contains PCI central resource functions such as the PCI Arbiter (PCI Bus Arbiter Module) and PCI reset control. The PCI bus clock must be provided by an external source. It must be phase aligned and either equal to 1, 1/2, or 1/4 the frequency of the system clock.

19.1.3 Features

The following PCI features are supported in the MCF547X:

- Supports system clock: PCI clock frequency ratios 1:1, 2:1, and 4:1
- Uses external CLKIN as clock reference
- Compatible with PCI 2.2 specification
- PCI initiator and target operation
- Fully synchronous design
- 32-bit PCI address bus
- PCI 2.2 Type 0 configuration space header
- Supports the PCI 16/8 clock rule
- PCI master multichannel DMA or CPU access to PCI bus
- Ideal transfer rates up to 266 Mbytes/sec. (66 MHz clock, 128 byte buffer)
- PCI to system bus address translation
- Target response is medium DEVSEL generation
- Initiator latency time-outs
- Automatic retry of target disconnects

19.2 External Signal Description

Table 19-1. PCI Module External Signals

Name	Type	Function	MCF547X Reset
PCIAD[31:0]	I/O	PCI Address Data Bus	Tristate
PCICXBE[3:0]	I/O	PCI Command/Bytes Enables	Tristate
PCIDEVSEL	I/O	PCI Device Select	Tristate
PCIFRAME	I/O	PCI Frame	Tristate
PCIIDSEL	I	PCI Initialization Device Select	Tristate
PCIIRDY	I/O	PCI Initiator Ready	Tristate
PCIPAR	I/O	PCI Parity	Tristate
CLKIN	I	PCI Clock	Toggling
PCIPERR	I/O	PCI Parity Error	Tristate
PCIRESET	O	PCI Reset	0
PCISERR	I/O	PCI System Error	Tristate
PCISTOP	I/O	PCI Stop	Tristate
PCITRDY	I/O	PCI Target Ready	Tristate

For detailed description of the PCI bus signals, see the *PCI Local Bus Specification, Revision 2.2*.

19.2.1 Address/Data Bus (PCIAD[31:0])

The PCIAD[31:0] lines are a time multiplexed address data bus. The address is presented on the bus during the address phase while the data is presented on the bus during one or more data phases.

19.2.2 Command/Byte Enables ($\overline{\text{PCICXBE}}[3:0]$)

The $\overline{\text{PCICXBE}}[3:0]$ lines are time multiplexed. The PCI command is presented during the address phase and the byte enables are presented during the data phase. Byte enables are active low.

19.2.3 Device Select ($\overline{\text{PCIDEVSEL}}$)

The $\overline{\text{PCIDEVSEL}}$ signal is asserted active low when the PCI controller decodes that it is the target of a PCI transaction from the address presented on the PCI bus during the address phase.

19.2.4 Frame ($\overline{\text{PCIFRAME}}$)

The $\overline{\text{PCIFRAME}}$ signal is asserted active low by a PCI initiator to indicate the beginning of a transaction. It is deasserted when the initiator is ready to complete the final data phase.

19.2.5 Initialization Device Select (PCIIDSEL)

The PCIIDSEL signal is asserted active high during a PCI Type 0 Configuration Cycle to address the PCI Configuration header.

19.2.6 Initiator Ready ($\overline{\text{PCIIRDY}}$)

The $\overline{\text{PCIIRDY}}$ signal is asserted active low to indicate that the PCI initiator is ready to transfer data. During a write operation, assertion indicates that the master is driving valid data on the bus. During a read operation, assertion indicates that the master is ready to accept data.

19.2.7 Parity (PCIPAR)

The PCIPAR signal indicates the parity on the $\text{PCIIDAD}[31:0]$ and $\overline{\text{PCICXBE}}[3:0]$ lines.

19.2.8 PCI Clock (CLKIN)

The CLKIN signal serves as a reference clock for generation of the internal PCI clock. For more information, see Section 19.4.7, "PCI Clock Scheme."

19.2.9 Parity Error ($\overline{\text{PCIPERR}}$)

The $\overline{\text{PCIPERR}}$ signal is asserted active low when a data phase parity error is detected if enabled.

19.2.10 Reset ($\overline{\text{PCIRESET}}$)

The $\overline{\text{PCIRESET}}$ signal is asserted active low by the PCI controller to reset the PCI bus. This signal is asserted after MCF547X reset and must be negated to enable usage of the PCI bus.

19.2.11 System Error ($\overline{\text{PCISERR}}$)

The $\overline{\text{PCISERR}}$ signal, if enabled, is asserted active low when an address phase parity error is detected.

19.2.12 Stop ($\overline{\text{PCISTOP}}$)

The $\overline{\text{PCISTOP}}$ signal is asserted active low by the currently addressed target to indicate that it wishes to stop the current transaction.

19.2.13 Target Ready ($\overline{\text{PCITRDY}}$)

The $\overline{\text{PCITRDY}}$ signal is asserted active low by the currently addressed target to indicate that it is ready to complete the current data phase.

19.3 Memory Map/Register Definition

The MCF547X has several sets of registers that control and report status for the different interfaces to the PCI controller: PCI Type 0 configuration space registers, general status/control registers, and communication subsystem interface registers. All of these registers are accessible as offsets of MBAR. As an XL bus master, an external PCI bus master can access MBAR space for register updates.

$\overline{\text{PCIRESET}}$ is controlled by a bit in the register space, $\text{PCIGSCR}[\text{PR}]$, and must first be cleared before external PCI devices wake-up. In other words, an external PCI master cannot load configuration software across the PCI bus until this bit is cleared by software. Access to all internal registers is supported regardless of the value held in $\text{PCIGSCR}[\text{PR}]$.

All registers are accessible at an offset of MBAR in the memory space. There are two module offsets for PCI configuration space. One is allocated to the communication subsystem interface registers and the other to all other PCI controller registers including the standard Type 0 PCI configuration space. Software reads from unimplemented registers return 0x00000000 and writes have no effect.

Table 19-2. PCI Memory Map

Address	Name	Size	Description	Access
PCI Type 0 Configuration Registers				
MBAR + 0xB00	PCIIDR	32	PCI Device ID/Vendor ID	R
MBAR + 0xB04	PCISCR	32	PCI Status/Command	R/W
MBAR + 0xB08	PCICCRIR	32	PCI Class Code/Revision ID	R
MBAR + 0xB0C	PCICR1	32	PCI Configuration 1 Register	R/W
MBAR + 0xB10	PCIBAR0	32	PCI Base Address Register 0	R/W
MBAR + 0xB14	PCIBAR1	32	PCI Base Address Register 1	R/W
MBAR + 0xB18–0xB24	—	—	Reserved	—
MBAR + 0xB28	PCICCPTR	32	PCI Cardbus CIS Pointer	R/W
MBAR + 0xB2C	PCISID	32	Subsystem ID/Subsystem Vendor ID	R/W
MBAR + 0xB30	PCIERBAR	32	PCI Expansion ROM	R/W
MBAR + 0xB34	PCICPR	32	PCI Capabilities Pointer	R/W
MBAR + 0xB38	—	—	Reserved	—
MBAR + 0xB3C	PCICR2	32	PCI Configuration Register 2	R/W
MBAR + 0xB40–0xB5C	—	—	Reserved	—

Table 19-2. PCI Memory Map (Continued)

Address	Name	Size	Description	Access
General Control/Status Registers				
MBAR + 0xB60	PCIGSCR	32	Global Status/Control Register	R/W
MBAR + 0xB64	PCITBATR0	32	Target Base Address Translation Register 0	R/W
MBAR + 0xB68	PCITBATR1	32	Target Base Address Translation Register 1	R/W
MBAR + 0xB6C	PCITCR	32	Target Control Register	R/W
MBAR + 0xB70	PCIIW0BTAR	32	Initiator Window 0 Base/Translation Address Register	R/W
MBAR + 0xB74	PCIIW1BTAR	32	Initiator Window 1 Base/Translation Address Register	R/W
MBAR + 0xB78	PCIIW2BTAR	32	Initiator Window 2 Base/Translation Address Register	R/W
MBAR + 0xB7C	—	—	Reserved	—
MBAR + 0xB80	PCIIWCR	32	Initiator Window Configuration Register	R/W
MBAR + 0xB84	PCIICR	32	Initiator Control Register	R/W
MBAR + 0xB88	PCIISR	32	Initiator Status Register	R/W
MBAR + 0xB8C–0xBF4	—	—	Reserved	—
MBAR + 0xBF8	PCICAR	32	Configuration Address Register	R/W
MBAR + 0xBFC	—	—	Reserved	—
CommBus FIFO Transmit Interface Registers¹				
MBAR + 0x8400	PCITPSR	32	Tx Packet Size Register	R/W
MBAR + 0x8404	PCITSAR	32	Tx Start Address Register	R/W
MBAR + 0x8408	PCITTCR	32	Tx Transaction Control Register	R/W
MBAR + 0x840C	PCITER	32	Tx Enables Register	R/W
MBAR + 0x8410	PCITNAR	32	Tx Next Address Register	R
MBAR + 0x8414	PCITLWR	32	Tx Last Word Register	R
MBAR + 0x8418	PCITDCR	32	Tx Done Counts Register	R
MBAR + 0x841C	PCITSR	32	Tx Status Register	R/WC
MBAR + 0x8420–0x843C	—	—	Reserved	—
MBAR + 0x8440	PCITFDR	32	Tx FIFO Data Register	R/W
MBAR + 0x8444	PCITFSR	32	Tx FIFO Status Register	R/WC
MBAR + 0x8448	PCITFCR	32	Tx FIFO Control Register	R/W
MBAR + 0x844C	PCITFAR	32	Tx FIFO Alarm Register	R/W
MBAR + 0x8450	PCITFRPR	32	Tx FIFO Read Pointer Register	R/W

Table 19-2. PCI Memory Map (Continued)

Address	Name	Size	Description	Access
MBAR + 0x8454	PCITFWPR	32	Tx FIFO Write Pointer Register	R/W
MBAR + 0x8458–0x847C	—	—	Reserved	—
CommBus FIFO Receive Interface Registers¹				
MBAR + 0x8480	PCIRPSR	32	Rx Packet Size Register	R/W
MBAR + 0x8484	PCIRSAR	32	Rx Start Address Register	R/W
MBAR + 0x8488	PCIRTCR	32	Rx Transaction Control Register	R/W
MBAR + 0x848C	PCIRER	32	Rx Enables Register	R/W
MBAR + 0x8490	PCIRNAR	32	Rx Next Address Register	R
MBAR + 0x8494	—	—	Reserved	—
MBAR + 0x8498	PCIRDRCR	32	Rx Done Counts Register	R
MBAR + 0x849C	PCIRSR	32	Rx Status Register	R/WC
MBAR + 0x84A0–0x84BC	—	—	Reserved	—
MBAR + 0x84C0	PCIRFDR	32	Rx FIFO Data Register	R/W
MBAR + 0x84C4	PCIRFSR	32	Rx FIFO Status Register	R/WC
MBAR + 0x84C8	PCIRFCR	32	Rx FIFO Control Register	R/W
MBAR + 0x84CC	PCIRFAR	32	Rx FIFO Alarm Register	R/W
MBAR + 0x84D0	PCIRFRPR	32	Rx FIFO Read Pointer Register	R/W
MBAR + 0x84D4	PCIRFWPR	32	Rx FIFO Write Pointer Register	R/W
MBAR + 0x84D8–0x84FC	—	—	Reserved	—

¹ The PCI controller has separate control registers for transmit and receive operations via the communication subsystem DMA. See [Section 19.3.3, “Communication Subsystem Interface Registers”](#) for more information on these registers.

19.3.1 PCI Type 0 Configuration Registers

The PCI controller supplies a type 0 PCI configuration space header. These registers are accessible as an offset from MBAR or through externally mastered PCI configuration cycles. PCI Dword Reserved space (0x10–0x3F) can be accessed only from external PCI configuration accesses.

19.3.1.1 Device ID/Vendor ID Register (PCIIDR)—PCI Dword Addr 0

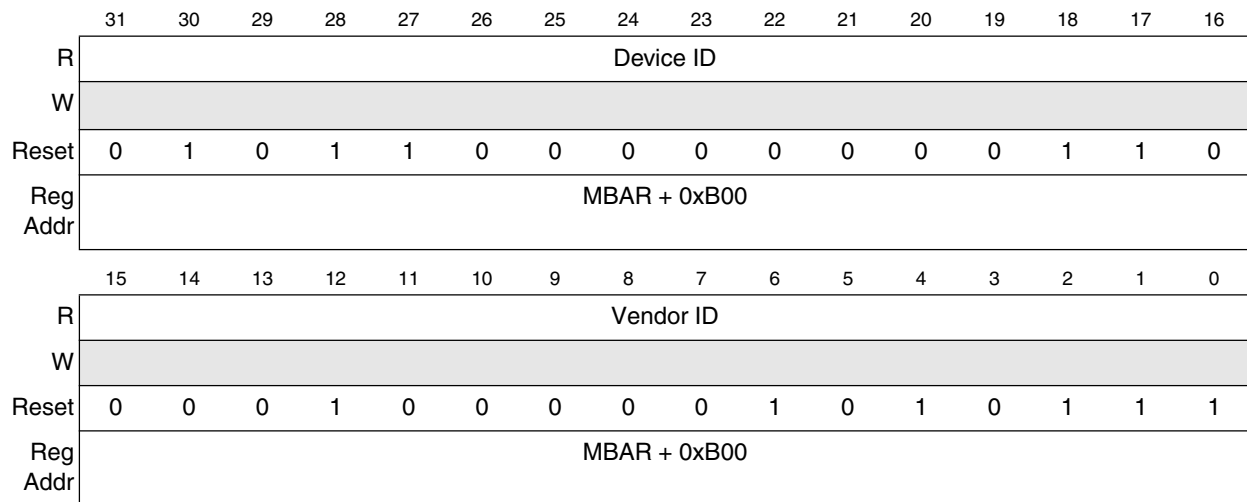


Figure 19-2. Device ID/Vendor ID Register (PCIIDR)

Table 19-3. PCIIDR Field Descriptions

Bits	Name	Description
31–16	Device ID	This field is read-only and represents the PCI Device Id assigned to the MCF547X. Its value is: 0x5806.
15–0	Vendor ID	This field is read-only and represents the PCI Vendor Id assigned to the MCF547X. Its value is: 0x1057.

19.3.1.2 PCI Status/Command Register (PCISCR)—PCI Dword Addr 1

	31	30	29	28	27	26	25	24	23	22	21	20	19	18	17	16
R	PE	SE	MA	TR	TS	DT		DP	FC	R	66M	C	0	0	0	0
W	rw ¹	rw ¹	rw ¹	rw ¹	rw ¹			rw ¹								
Reset	0	0	0	0	0	0	1	0	1	0	1	0	0	0	0	0
Reg Addr	MBAR + 0xB04															
	15	14	13	12	11	10	9	8	7	6	5	4	3	2	1	0
R	0	0	0	0	0	0	F	S	ST	PER	V	MW	SP	B	M	IO
W																
Reset	0	0	0	0	0	0	0	0	0	0	0	0	0	0	0	0
Reg Addr	MBAR + 0xB04															

¹ Bits 31-27 and 24 are read-write-clear (rwc).

—Hardware can set rwc bits, but cannot clear them.

—Only PCI configuration cycles can clear rwc bits that are currently set by writing a 1 to the bit location. Writing a 1 to a rwc bit that is currently a 0 or writing a 0 to any rwc bit has no effect.

Figure 19-3. PCI Status/Command Register (PCISCR)

Table 19-4. PCISCR Field Descriptions

Bits	Name	Description
31	PE	Parity error detected. This bit is set when a parity error is detected, even if the PCISCR[PER] is cleared. This bit is cleared by a PCI configuration cycle writing a '1' to the bit. Writing '0' has no effect.
30	SE	System error signalled. This bit is set whenever the PCI controller generates a PCI system error on the PCISERR line. This bit is cleared by a PCI configuration cycle writing a '1' to the bit. Writing '0' has no effect.
29	MA	Master abort received. This bit is set whenever the PCI controller is the PCI master and terminates a transaction (except for a special cycle) with a master-abort. This bit is cleared by a PCI configuration cycle writing a '1' to the bit. Writing '0' has no effect.
28	TR	Target abort received. This bit is set whenever the PCI controller is the PCI master and a transaction is terminated by a target-abort from the currently addressed target. This bit is cleared by a PCI configuration cycle writing a '1' to the bit. Writing '0' has no effect.
27	TS	Target abort signalled. This bit is set whenever the PCI controller is the target and it terminates a transaction with a target-abort. This bit is cleared by a PCI configuration cycle writing a '1' to the bit. Writing '0' has no effect.
26–25	DT	DEVSEL timing. Fixed to '01'. These bits encode a medium DEVSEL timing. This defines the slowest DEVSEL timing as medium timing when the PCI controller is the target (except configuration accesses).

Table 19-4. PCISCR Field Descriptions (Continued)

Bits	Name	Description
24	DP	Master data parity error. This bit applies only when the PCI controller is the master and is set only if the following conditions are met: <ul style="list-style-type: none"> The PCI controller-as-master sets $\overline{\text{PERR}}$ itself during a read or the PCI controller-as-master detected it asserted by the target during a write The PCISCR[PER] bit is set This bit is cleared by a PCI configuration cycle writing a '1' to the bit. Writing '0' has no effect.
23	FC	Fast back-to-back capable. Fixed to 1. This read-only bit indicates that the PCI controller as target is capable of accepting fast back-to-back transactions with other targets.
22	R	Reserved. Fixed to 0. Prior to the 2.2 PCI Spec, this was the UDF (user defined features) supported bit. 0 Does not support UDF 1 Supported user defined features
21	66M	66 MHz capable. Fixed to 1. This bit indicates that the PCI controller is 66 MHz capable.
20	C	Capabilities list. Fixed to 0. This bit indicates that the PCI controller does not implement the New Capabilities List Pointer Configuration Register in DWORD 13 of the configuration space.
19–10	—	Reserved, should be cleared.
9	F	Fast back-to-back transfer enable. This bit controls whether or not the PCI controller as master can do fast back-to-back transactions to different devices. Initialization software should set this bit if all targets are fast back-to-back capable. 0 Fast back-to-back transactions are only allowed to the same device 1 The master is allowed to generate fast back-to-back transactions to different devices.
8	S	SERR enable. This bit is an enable bit for the $\overline{\text{PCISERR}}$ driver. 0 $\overline{\text{PCISERR}}$ driver disabled 1 $\overline{\text{PCISERR}}$ driver enabled Note: Address parity errors are reported only if this bit and bit 6 are set.
7	ST	Address and data stepping. Fixed to 0. This bit indicates that the PCI controller never uses address/data stepping. Initialization software should write a 0 to this bit location.
6	PER	Parity error response. This bit controls the device's response to parity errors. 0 The device sets its Parity Error status bit (bit 31) in the event of a parity error, but does not assert $\overline{\text{PERR}}$. 1 When a parity error is detected, the PCI controller asserts $\overline{\text{PERR}}$.
5	V	VGA palette snoop enable. Fixed to 0. This bit indicates that the PCI controller is not VGA compatible. Initialization software should write a 0 to this bit location.
4	MW	Memory write and invalidate enable. This bit is an enable for using the memory write and invalidate command. 0 Only memory write command can be used 1 PCI controller-as-master may generate the memory write and invalidate command.
3	SP	Special cycle monitor or ignore. This bit is to determine whether or not to ignore PCI Special Cycles. Since PCI controller-as-target does not recognize messages delivered via the Special Cycle operation, a value of 1 should never be programmed to this register. This bit, however, is programmable (read/write from both the IP bus and PCI bus Configuration cycles).

Table 19-4. PCISCR Field Descriptions (Continued)

Bits	Name	Description
2	B	Bus master enable. This bit indicates whether or not the PCI controller has the ability to serve as a master on the PCI bus. A value of 1 indicates this ability is enabled. If the PCI controller is used as a master on the PCI bus (via the XL bus or comm bus), a 1 should be written to this bit during initialization. If the value of the register is 0, it will not inhibit mastered transactions. This bit is meant to be read by configuration software.
1	M	Memory access control. This bit controls the PCI controller's response to memory space accesses. 0 The PCI controller does not recognize memory accesses 1 The PCI controller recognizes memory accesses.
0	IO	I/O access control. Fixed to 0. This bit is not implemented because there is no PCI controller I/O type space accessible from the PCI bus. The PCI base address registers are memory address ranges only. Initialization software should write a 0 to this bit location.

19.3.1.3 Revision ID/Class Code Register (PCICCRIR)—PCI Dword 3

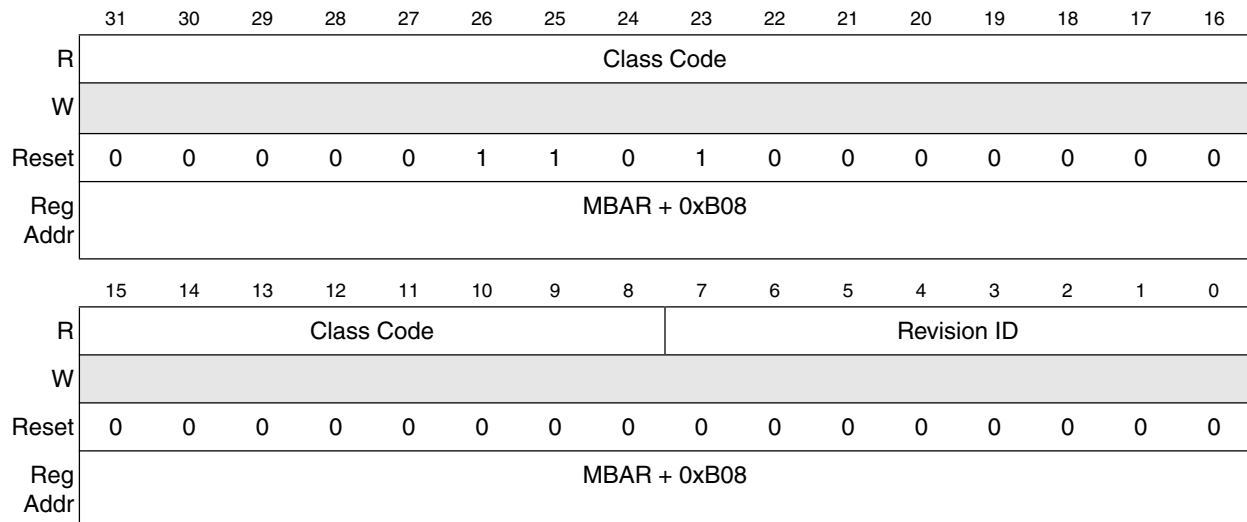


Figure 19-4. Revision ID/Class Code Register (PCICCRIR)

Table 19-5. PCICCRIR Field Descriptions

Bits	Name	Description
31–8	Class Code	This field is read-only and represents the PCI Class Code assigned to MCF547X. Its value is: 0x06 8000. (Other bridge device).
7–0	Revision ID	This field is read-only and represents the PCI Revision ID for this version of MCF547X. Its value is: 0x00.

19.3.1.4 Configuration 1 Register (PCICR1)—PCI Dword 3

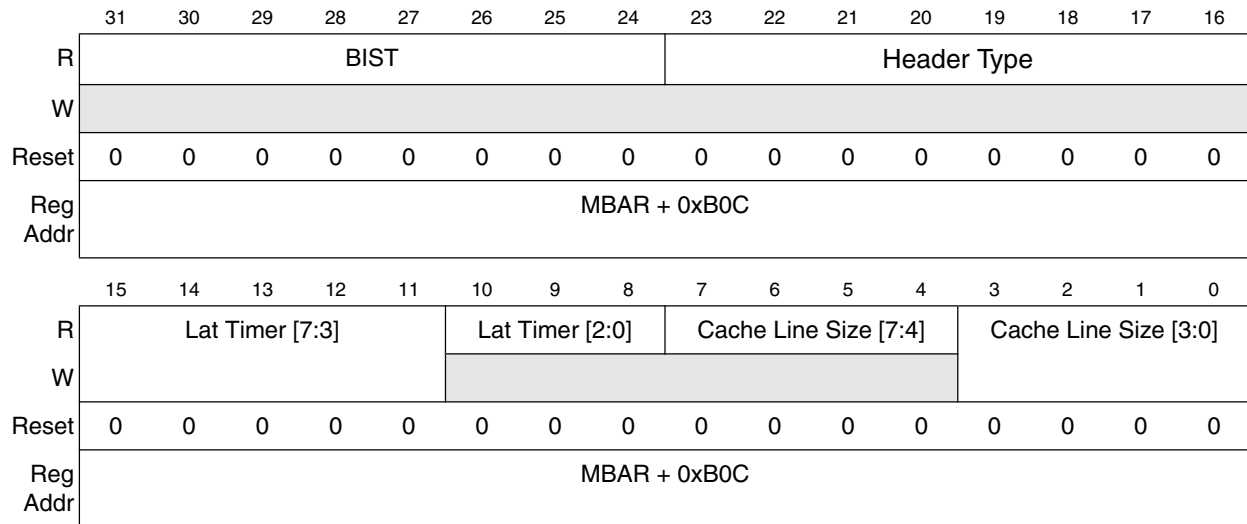


Figure 19-5. Configuration 1 Register (PCICR1)

Table 19-6. PCICR1 Field Descriptions

Bits	Name	Description
31–24	BIST	Built in self test. Fixed to 0x00. The PCI controller does not implement the Built-In Self Test register. Initialization software should write a 0x00 to this register location.
23–16	Header Type	Header type. Fixed to 0x00. The PCI controller implements a Type 0 PCI configuration space Header. Initialization software should write a 0x00 to this register location.
15–11	Lat Timer	Latency timer [7:3]. This register contains the latency timer value, in PCI clocks, used when the PCI controller is the PCI master. The upper five bits are programmable. Latency timer must be programmed to a non-zero value before the PCI Controller will operate as master of the PCI bus.
10-8		Latency timer [2:0] The lower three bits of the register are hardwired low
7–4	Cache Line Size	Cache line size[7:4] Specifies the cache line size in units of DWORDs. The higher four bits of the register are hardwired low
3–0		Cache line size [3:0] Specifies the cache line size in units of DWORDs.

19.3.1.5 Base Address Register 0 (PCIBAR0)—PCI Dword 4

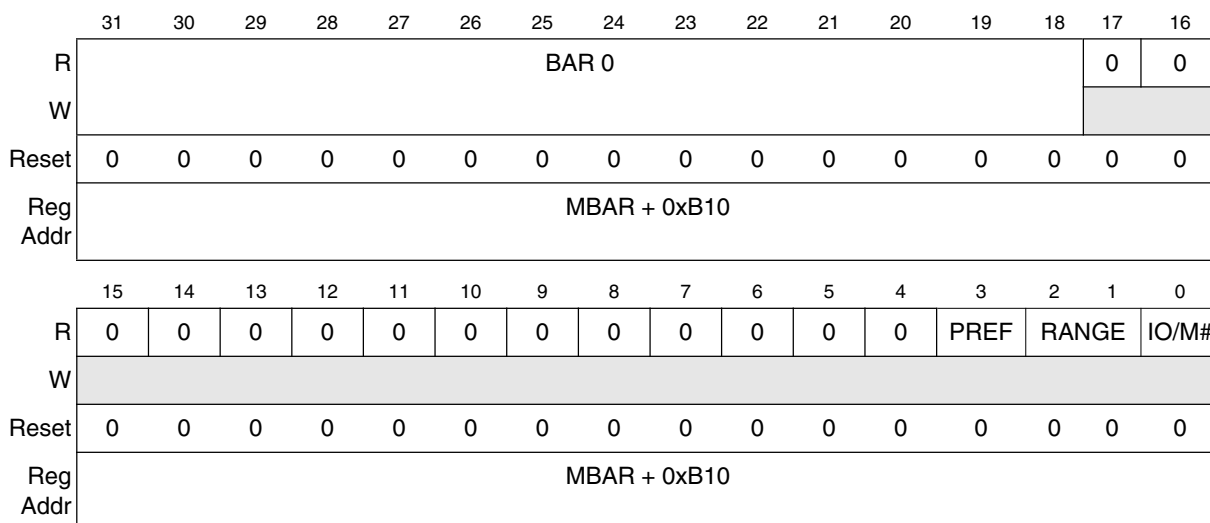


Figure 19-6. Base Address Register 0 (PCIBAR0)

Table 19-7. PCIBAR0 Field Descriptions

Bits	Name	Description
31–18	BAR0	Base address register 0. PCI base address register 0 (256 Kbyte). Applies only when MCF547X is target. These bits are programmable (read/write from both the IP bus and PCI bus Configuration cycles).
17–4	—	Reserved, should be cleared.
3	PREF	Prefetchable access. Fixed to 0. This bit indicates that the memory space defined by BAR0 is not prefetchable. Configuration software should write a 0 to this bit location.
2–1	RANGE	Fixed to 00. This register indicates that base address 0 is 32 bits wide and can be mapped anywhere in 32-bit address space. Configuration software should write 00 to these bit locations.
0	IO/M#	IO or memory space. Fixed to 0. This bit indicates that BAR0 is for memory space. Configuration software should write a 0 to this bit location. 0 Memory 1 I/O

19.3.1.6 Base Address Register 1 (PCIBAR1)—PCI Dword 5

	31	30	29	28	27	26	25	24	23	22	21	20	19	18	17	16
R	BAR1		0	0	0	0	0	0	0	0	0	0	0	0	0	0
W																
Reset	0	0	0	0	0	0	0	0	0	0	0	0	0	0	0	0
Reg Addr	MBAR + 0xB14															
	15	14	13	12	11	10	9	8	7	6	5	4	3	2	1	0
R	0	0	0	0	0	0	0	0	0	0	0	0	PREF	RANGE	IO/M#	
W																
Reset	0	0	0	0	0	0	0	0	0	0	0	0	1	0	0	0
Reg Addr	MBAR + 0xB14															

Figure 19-7. Base Address Register 1 (PCIBAR1)

Table 19-8. PCIBAR1 Field Descriptions

Bits	Name	Description
31–30	BAR1	Base address register 1. MCF547X PCI base address register 1 (1 Gbyte). Applies only when MCF547X is target. These bits are programmable (read/write from both the IP bus and PCI bus Configuration cycles).
29–4	—	Reserved, should be cleared.
3	PREF	Prefetchable access. Fixed to 1. This bit indicates that the memory space defined by BAR1 is prefetchable. Configuration software should write a 1 to this bit location.
2–1	RANGE	Fixed to 00. This register indicates that base address 1 is 32 bits wide and can be mapped anywhere in 32-bit address space. Configuration software should write 00 to these bit locations.
0	IO/M#	IO or memory space. Fixed to 0. This bit indicates that BAR1 is for memory space. Configuration software should write a 0 to this bit location. 0 Memory 1 I/O

19.3.1.7 CardBus CIS Pointer Register PCICCP(RW)—PCI Dword A, Reg Addr MBAR + 0xB28

This optional register contains the pointer to the Card Information Structure (CIS) for the CardBus card. All 32 bits of the register are programmable by the slave bus. From the PCI bus, this register can only be read, not written. Its reset value is 0x0000 0000.

19.3.1.8 Subsystem ID/ Subsystem Vendor ID Registers PCISID(RW)— PCI Dword B, Reg Addr MBAR + 0xB2C

The Subsystem Vendor ID register contains the 16-bit manufacturer identification number of the add-in board or subsystem that contains this PCI device. The Subsystem ID register contains the 16-bit subsystem identification number of the add-in board or subsystem that contains this PCI device. A value of zero in these registers indicates there isn't a Subsystem Vendor and Subsystem ID associated with the device. If used, software must write to these registers before any PCI bus master reads them.

All 32 bits of the register are programmable by the slave bus. From the PCI bus, this register can only be read, not written. The reset value is 0x0000 0000.

19.3.1.9 Expansion ROM Base Address PCIERBAR(R)—PCI Dword C, Reg Addr MBAR + 0xB30

Not implemented. Fixed to 0x0000 0000.

19.3.1.10 Capabilities Pointer (Cap_Ptr) PCICPR(R)—PCI Dword D, Reg Addr MBAR + 0xB34

Not implemented. Fixed to 0x00.

19.3.1.11 Configuration 2 Register (PCICR2)—PCI Dword F

	31	30	29	28	27	26	25	24	23	22	21	20	19	18	17	16
R	Max_Lat								Min_Gnt							
W																
Reset	0	0	0	0	0	0	0	0	0	0	0	0	0	0	0	0
Reg Addr	MBAR + 0xB3C															
	15	14	13	12	11	10	9	8	7	6	5	4	3	2	1	0
R	Interrupt Pin								Interrupt Line							
W																
Reset	0	0	0	0	0	0	0	0	0	0	0	0	0	0	0	0
Reg Addr	MBAR + 0xB3C															

Figure 19-8. Configuration 2 Register (PCICR2)

Table 19-9. PCICR2 Field Descriptions

Bits	Name	Description
31–24	Max_Lat	Maximum latency. Specifies how often, in units of 1/4 microseconds, the PCI controller would like to have access to the PCI bus as master. A value of zero indicates the device has no stringent requirement in this area. The register is read/write to/from the slave bus, but read only from the PCI bus.
23–16	Min_Gnt	Minimum grant. The value programmed to this register indicates how long the PCI controller as master would like to retain PCI bus ownership whenever it initiates a transaction. The register is programmable from the slave bus, but read only from the PCI bus.
15–8	Interrupt Pin	Fixed to 0x00. Indicates that this device does not use an interrupt request pin.
7–0	Interrupt Line	Fixed to 0x00. The Interrupt Line register stores a value that identifies which input on a PCI interrupt controller the function's PCI interrupt request pin. Since no interrupt request pin is used, as specified in the Interrupt Pin register, this register has no function.

19.3.2 General Control/Status Registers

The general control/status registers primarily address the configurability of the XL bus initiator and target interfaces, though some also address global options which affect the multichannel DMA interface. These registers are accessed primarily internally as offsets of MBAR, but can also be accessed by an external PCI master if PCI base and target base address registers are configured to access the space. See Section 19.5.2 on configuring address windows.

19.3.2.1 Global Status/Control Register (PCIGSCR)

	31	30	29	28	27	26	25	24	23	22	21	20	19	18	17	16
R	0	0	PE	SE	0	XLB2CLKIN			0	0	0	0	0	Reserved		
W			rw ¹	rw ¹												
Reset	0	0	0	0	0	— ²			0	0	0	0	0	Uninitialized		
Reg Addr	MBAR + 0xB60															
	15	14	13	12	11	10	9	8	7	6	5	4	3	2	1	0
R	0	0	PEE	SEE	0	0	0	0	0	0	0	0	0	0	0	PR
W																
Reset	0	0	0	0	0	0	0	0	0	0	0	0	0	0	0	1
Reg Addr	MBAR + 0xB60															

¹ Bits 29 and 28 are read-write-clear (rwc).

—Hardware can set rwc bits, but cannot clear them.

—Software can clear rwc bits that are currently set by writing a 1 to the bit location. Writing a 1 to a rwc bit that is currently a 0 or writing a 0 to any rwc bit has no effect.

² The reset value of bits 26-24 and 18-16 is determined by the PLL multiplier.

Figure 19-9. Global Status/Control Register (PCIGSCR)

Table 19-10. PCIGSCR Field Descriptions

Bits	Name	Description
31–30	—	Reserved, should be cleared.
29	PE	PERR detected. This bit is set when the PCI Parity Error line, $\overline{PCIPERR}$, asserts (any device). A CPU interrupt will be generated if the PCIGSCR[PEE] bit is set. It is up to application software to clear this bit by writing '1' to it.
28	SE	SERR detected. This bit is set when a PCI System Error line, $\overline{PCISERR}$, asserts (any device). A CPU interrupt will be generated if the PCIGSCR[SEE] bit is set. It is up to application software to clear this bit by writing '1' to it.
27	—	Reserved, should be cleared.
26–24	XLB2CLKIN	This bit field stores the XL bus clock to external PCI clock (CLKIN) divide ratio. This field is read-only and the reset value is determined by the PLL multiplier (either 1, 2, or 4). Software can read these bits to determine a valid ratio. If the register contains a differential value that does not reflect the PLL settings, the PCI controller could malfunction.
23–19	—	Reserved, should be cleared.
18–16	CLKINReserved	This field is reserved.
15–14	—	Reserved, should be cleared.

Table 19-10. PCIGSCR Field Descriptions

Bits	Name	Description
13	PEE	Parity error interrupt enable. This bit enables CPU Interrupt generation when the PCI Parity Error signal, $\overline{\text{PCIPERR}}$, is sampled asserted. When enabled and $\overline{\text{PCIPERR}}$ asserts, software must clear the PE status bit to clear the interrupt condition.
12	SEE	System error interrupt enable. This bit enables CPU Interrupt generation when a PCI system error is detected on the $\overline{\text{PCISERR}}$ line. When enabled and $\overline{\text{PCISERR}}$ asserts, software must clear the SE status bit to clear the interrupt condition.
11–1	—	Reserved, should be cleared.
0	PR	PCI reset. This bit controls the external $\overline{\text{PCIRESET}}$. When this bit is cleared, the external $\overline{\text{PCIRESET}}$ deasserts. Setting this bit does not reset the internal PCI controller. The application software must not initiate PCI transactions while this bit is set. It is recommended that this bit be programmed last during initialization. The reset value of the bit is 1 ($\overline{\text{PCIRESET}}$ asserted).

19.3.2.2 Target Base Address Translation Register 0 (PCITBATR0)

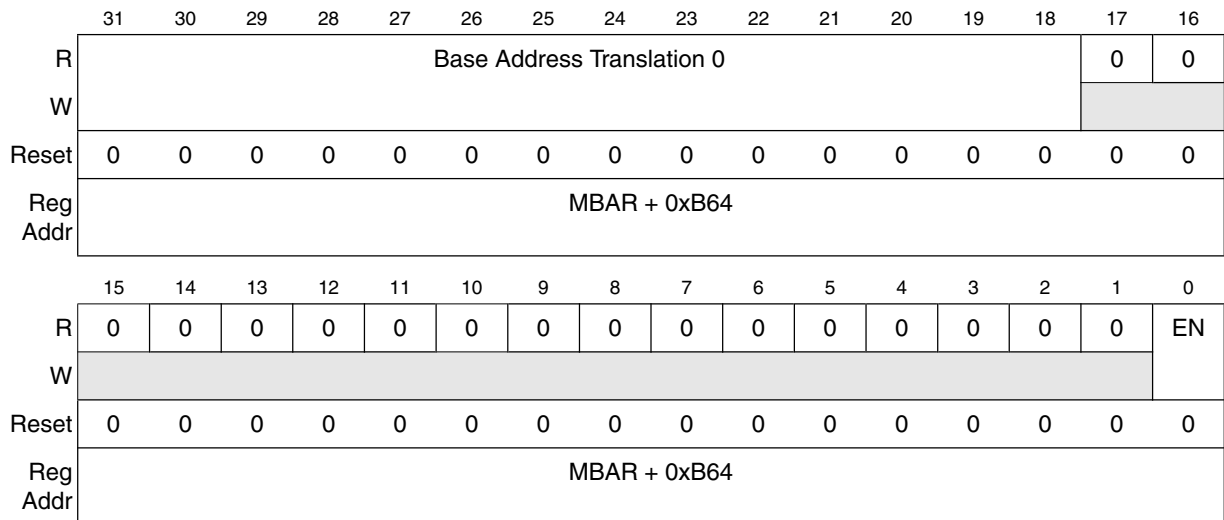


Figure 19-10. Target Base Address Translation Register 0 (PCITBATR0)

Table 19-11. PCITBATR0 Field Descriptions

Bits	Name	Description
31–18	Base Address Translation 0	This base address register corresponds to a hit on the BAR0 in MCF547X PCI Type 0 Configuration space register from PCI space. When there is a hit on MCF547X PCI BAR0 (MCF547X as Target), the upper 14 bits of the address (256-Kbyte boundary) are written over by this register value to address some space in MCF547X. In normal operation, this value should be written during the initialization sequence only.
17–1	—	Reserved, should be cleared.
0	Enable 0	This bit enables a transaction in BAR0 space. If this bit is zero and a hit on MCF547X PCIBAR0 occurs, the target interface gasket will abort the PCI transaction.

19.3.2.3 Target Base Address Translation Register 1 (PCITBATR1)

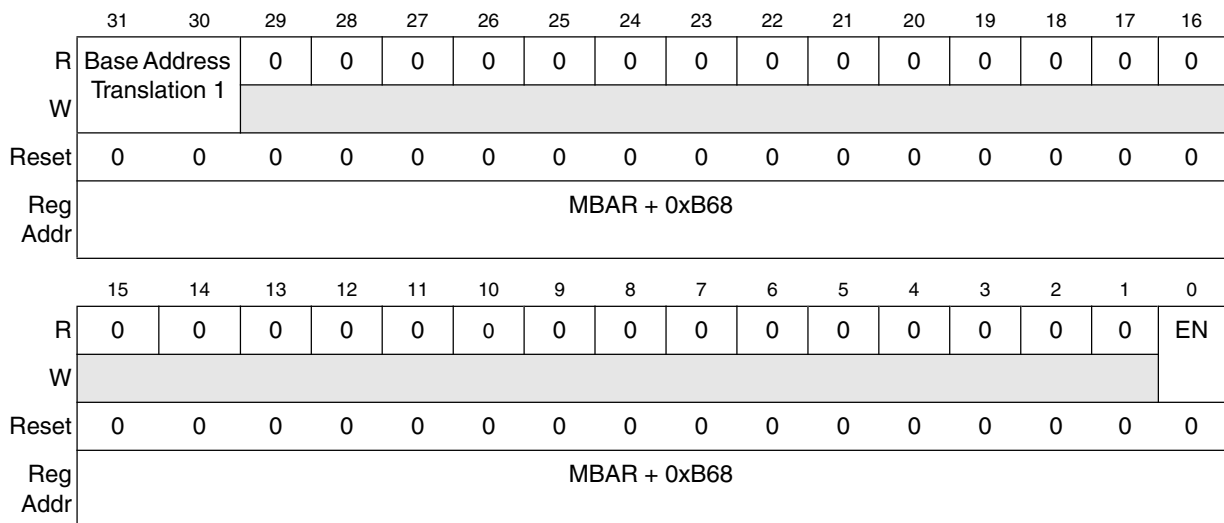


Figure 19-11. Target Base Address Translation Register 1 (PCITBATR1)

Table 19-12. PCITBATR1 Field Descriptions

Bits	Name	Description
31–30	Base Address Translation 1	This base address register corresponds to a hit on the BAR1 in MCF547X PCI Type 0 Configuration space register (PCI space). When there is a hit on MCF547X PCI BAR1 (MCF547X as Target), the upper 2 bits of the address (1-Gbyte boundary) are written over by this register value to address some 1-Gbyte space in MCF547X. This register can be reprogrammed to move the window of MCF547X address space accessed during a hit in PCIBAR1.
29–1	—	Reserved, should be cleared.
0	EN	This bit enables a transaction in BAR1 space. If this bit is zero and a hit on MCF547X PCI BAR1 occurs, the target interface gasket will abort the PCI transaction.

19.3.2.4 Target Control Register (PCITCR)

	31	30	29	28	27	26	25	24	23	22	21	20	19	18	17	16
R	0	0	0	0	0	0	0	LD	0	0	0	0	0	0	0	P
W																
Reset	0	0	0	0	0	0	0	0	0	0	0	0	0	0	0	0
Reg Addr	MBAR + 0xB6C															
	15	14	13	12	11	10	9	8	7	6	5	4	3	2	1	0
R	0	0	0	0	0	0	0	0	0	0	0	0	0	0	0	0
W																
Reset	0	0	0	0	0	0	0	0	0	0	0	0	0	0	0	0
Reg Addr	MBAR + 0xB6C															

Figure 19-12. Target Control Register (PCITCR)

Table 19-13. PCITCR Field Descriptions

Bits	Name	Description
31–25	—	Reserved, should be cleared.
24	LD	<p>Latency rule disable. This control bit applies only when MCF547X is Target. When set, it prevents the PCI Controller from automatically issuing a retry disconnect due to the PCI 16/8 clock rule.</p> <p>This bit should only be set when the XL<->PCI path is not in use. The only transactions that are retried on the XL bus by the PCI are reads. Writes are held on the XL bus until either all data is posted (PCI memory writes) and the XL bus data tenure is normally terminated or, in the case of I/O writes to PCI, access is granted to the PCI bus and the connected write completes. When the LD bit is set, there is never a timeout on the PCI bus because the PCI 16/8 clock rule is not obeyed. If there is inbound PCI traffic (PCI->MCF547X) and an XL bus write is held open by the PCI Controller, the PCI traffic will not be granted access to XL bus. This is true for reads that have not been prefetched and when the inbound write buffer is full. Both buses hang. Normal operation relies on the LD bit being cleared.</p> <p>If used, the bit must be set before the 15th PCI clock for the first transfer and before the 7th clock for other transfers.</p>
23–17	—	Reserved, should be cleared.
16	P	<p>Prefetch reads. This bit controls fetching a line from memory in anticipation of a request from the external master. The target interface will continue to prefetch lines from memory as long as $\overline{\text{PCIFRAME}}$ is asserted and there is space to store the data in the target read buffer.</p> <p>Note: This bit only applies to PCI reads in the address range for BAR 1 (prefetchable memory).</p> <p>Note: Prefetching is performed in response to a PCI memory-read-multiple command even if this bit is cleared.</p>
15–0	—	Reserved, should be cleared.

19.3.2.5 Initiator Window 0 Base/Translation Address Register (PCIIW0BTAR)

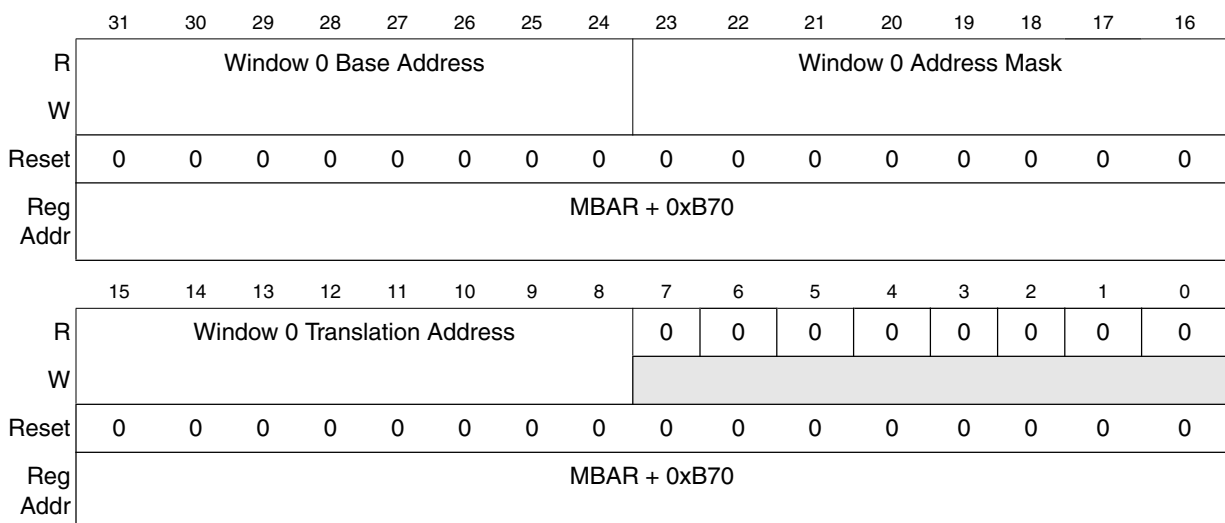


Figure 19-13. Initiator Window 0 Base/Translation Address Register (PCIIW0BTAR)

Table 19-14. PCIIW0BTAR Field Descriptions

Bits	Name	Description
31–24	Window 0 Base Address	One of three base address registers to determine an XL bus hit on PCI. At most, the upper byte of the address is decoded. The Window 0 Address Mask register determines what bits of this register to compare the XL bus address against to generate the hit. The smallest possible Window is a 16-Mbyte block.
23–16	Window 0 Address Mask	The Window 0 Address Mask Register masks the corresponding XL bus base address bit of the base address for Window 0 (Window 0 Base Address) to instruct the address decode logic to ignore or “don’t care” the bit. If the base address mask bit is set, the associated base address bit of Window 0 is ignored when generating the PCI hit. Bit 16 masks bit 24, bit 17 masks bit 25, and so on. 0 Corresponding address bit is used in address decode. 1 Corresponding address bit is ignored in address decode. For XL bus accesses to Window 0 address range, this byte also determines which upper 8 bits of the XL bus address to pass on for presentation as a PCI address. Any address bit used to decode the XL bus address, indicated by a “0”, will be translated. This provides a way to overlay a PCI page address onto the XL bus address. A “1” in the Address Mask byte indicates that the XL bus address bit will be passed to PCI unaltered.
15–8	Window 0 Translation Address	For any translated bit (described above), the corresponding value here will be driven onto the PCI address bus for the XL bus Window 0 address hit. The Window Translation operation can not be turned off. If a direct mapping from XL bus to PCI space is desired, program the same value to both the Window Base Address Register and Window Translation Address Register.
7–0	—	Reserved, should be cleared.

19.3.2.6 Initiator Window 1 Base/Translation Address Register (PCIIW1BTAR)

	31	30	29	28	27	26	25	24	23	22	21	20	19	18	17	16
R	Window 1 Base Address								Window 1 Address Mask							
W																
Reset	0	0	0	0	0	0	0	0	0	0	0	0	0	0	0	0
Reg Addr	MBAR + 0xB74															
	15	14	13	12	11	10	9	8	7	6	5	4	3	2	1	0
R	Window 1 Translation Address								0	0	0	0	0	0	0	0
W																
Reset	0	0	0	0	0	0	0	0	0	0	0	0	0	0	0	0
Reg Addr	MBAR + 0xB74															

Figure 19-14. Initiator Window 1 Base/Translation Address Register (PCIIW1BTAR)

The field descriptions for this register are the same as for PCIW0BTAR, except that they apply to Window 1.

19.3.2.7 Initiator Window 2 Base/Translation Address Register (PCIW2BTAR)

	31	30	29	28	27	26	25	24	23	22	21	20	19	18	17	16
R	Window 2 Base Address								Window 2 Address Mask							
W																
Reset	0	0	0	0	0	0	0	0	0	0	0	0	0	0	0	0
Reg Addr	MBAR + 0xB78															
	15	14	13	12	11	10	9	8	7	6	5	4	3	2	1	0
R	Window 2 Translation Address								0	0	0	0	0	0	0	0
W																
Reset	0	0	0	0	0	0	0	0	0	0	0	0	0	0	0	0
Reg Addr	MBAR + 0xB78															

Figure 19-15. Initiator Window 2 Base/Translation Address Register (PCIW2BTAR)

The field descriptions for this register are the same as for PCIW0BTAR, except that they apply to Window 2.

19.3.2.8 Initiator Window Configuration Register (PCIWCR)

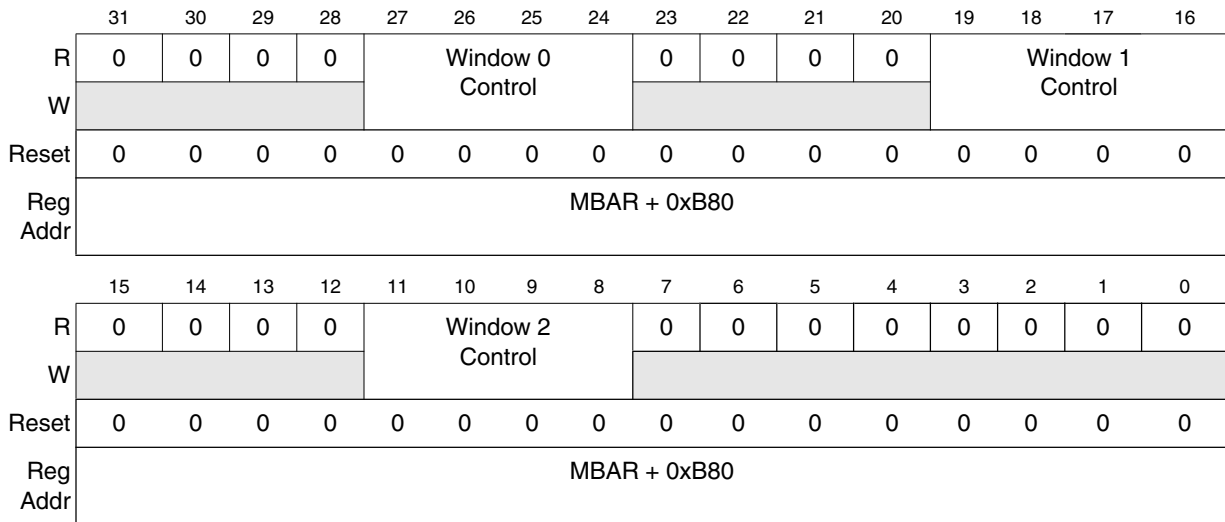


Figure 19-16. Initiator Window Configuration Register (PCIWCR)

Table 19-15. PCIWCR Field Descriptions

Bits	Name	Description
31–28	—	Reserved, should be cleared.
27–24	Window 0 Control[3:0]	Bit[3]—IO/M#. 0 Window is mapped to PCI memory. 1 Window is mapped to PCI I/O. Bit[2:1]—PCI read command (PRC). If bit[3] is programmed memory, “0”, then these bits are used to determine the type of PCI memory command to issue. See “Transaction Mapping: XL Bus Æ PCI” on page 76. If bit[3] is set to “1”, the value of these bits is meaningless. 00 PCI Memory Read. 01 PCI Memory Read Line. 10 PCI Memory Read Multiple. 11 Reserved. Bit[0]—Enable. This bit is set to indicate the address registers that control the XL bus initiator interface access to PCI initialized and will be used. The PCI Controller can begin to decode XL bus PCI accesses. 0 Do not decode XL bus PCI accesses to Window. 1 Registers initialized—decode accesses to Window.
23–20	—	Reserved, should be cleared.
19–16	Window 1 Control[3:0]	Bit[3]—IO/M#. Bit[2:1]—PRC. Bit[0]—Enable.
15–12	Reserved	Reserved register. Write a zero to this register.

Table 19-15. PCIWCR Field Descriptions (Continued)

Bits	Name	Description
11–8	Window 2 Control[3:0]	Bit[3]—IO/M#. Bit[2:1]—PRC. Bit[0]—Enable.
7–0	—	Reserved, should be cleared.

19.3.2.9 Initiator Control Register (PCIICR)

	31	30	29	28	27	26	25	24	23	22	21	20	19	18	17	16
R	0	0	0	0	0	REE	IAE	TAE	0	0	0	0	0	0	0	0
W																
Reset	0	0	0	0	0	0	0	0	0	0	0	0	0	0	0	0
Reg Addr	MBAR + 0xB84															
	15	14	13	12	11	10	9	8	7	6	5	4	3	2	1	0
R	0	0	0	0	0	0	0	0	Maximum Retries							
W																
Reset	0	0	0	0	0	0	0	0	1	1	1	1	1	1	1	1
Reg Addr	MBAR + 0xB84															

Figure 19-17. Initiator Control Register (PCIICR)

Table 19-16. PCIICR Field Descriptions

Bits	Name	Description
31–27	—	Reserved, should be cleared.
26	REE	Retry error enable. This bit enables CPU Interrupt generation in the case of Retry Error termination of a transaction. It may be desirable to mask CPU interrupts, but in such a case, software should poll the status bits to prevent a possible lock-up condition.
25	IAE	Initiator abort enable. This bit enables CPU Interrupt generation in the case of Initiator Abort termination of a transaction. It may be desirable to mask CPU interrupts, but in such a case, software should poll the status bits to prevent a possible lock-up condition.
24	TAE	Target abort enable. This bit enables CPU Interrupt generation in the case of Target Abort termination of a transaction. It may be desirable to mask CPU interrupts, but in such a case, software should poll the status bits to prevent a possible lock-up condition.

Table 19-16. PCIICR Field Descriptions

Bits	Name	Description
23–8	—	Reserved, should be cleared.
7–0	Maximum Retries	This bit field controls the maximum number of automatic PCI retries or master latency time-outs to permit per <i>write</i> transaction. The retry counter is reset at the beginning of each <i>write</i> transaction (i.e. it is not cumulative). Setting the Maximum Retries to 0x00 allows infinite automatic retry cycles and latency time-outs before the <i>write</i> transaction will abort and, if open, send back an error on XL bus. A slow or malfunctioning Target might issue infinite retry disconnects or hold the data tenure open indefinitely, and therefore, permanently tie up the PCI bus if no Target Abort occurs. The Maximum Retries register does not apply to reads because reads are always ARTRY'd on XL bus when retry-terminated by the PCI target. This is done to avoid livelock scenarios where the device we are requesting read data from needs to flush itself of posted writes going to MCF547X before it can return the read data. The incoming writes cannot be blocked in this case.

19.3.2.10 Initiator Status Register (PCIISR)

	31	30	29	28	27	26	25	24	23	22	21	20	19	18	17	16
R	0	0	0	0	0	RE	IA	TA	0	0	0	0	0	0	0	0
W						rwc ¹	rwc ¹	rwc ¹								
Reset	0	0	0	0	0	0	0	0	0	0	0	0	0	0	0	0
Reg Addr	MBAR + 0xB88															
	15	14	13	12	11	10	9	8	7	6	5	4	3	2	1	0
R	0	0	0	0	0	0	0	0	0	0	0	0	0	0	0	0
W																
Reset	0	0	0	0	0	0	0	0	0	0	0	0	0	0	0	0
Reg Addr	MBAR + 0xB88															

¹ Bits 26-24 are read-write-clear (rwc).

—Hardware can set rwc bits, but cannot clear them.

—Software can clear rwc bits that are currently set by writing a 1 to the bit location. Writing a 1 to a rwc bit that is currently a 0 or writing a 0 to any rwc bit has no effect.

Figure 19-18. Initiator Status Register (PCIISR)

Table 19-17. PCIISR Field Descriptions

Bits	Name	Description
31–27	—	Reserved, should be cleared.
26	RE	Retry error. This flag is set when the controller ARTRY's a read on XL bus when retry-terminated by the PCI target or when the Max_Retries limit is reached for a single XL bus <i>write</i> transaction. A CPU interrupt will be generated if PCIICR[RE] bit is set. It is up to application software to clear this bit by writing '1' to it.

Table 19-17. PCIISR Field Descriptions

Bits	Name	Description
25	IA	Initiator abort. This flag bit is set if the PCI controller issues an Initiator Abort flag. This indicates that no Target responded by asserting DEVSEL within the time allowed for subtractive decoding. A CPU interrupt will be generated if the PCIICR[IAE] bit is set. It is up to application software to clear this bit by writing '1' to it.
24	TA	Target abort. This flag bit is set if the addressed PCI Target has signalled an Abort. A CPU interrupt will be generated if the PCIICR[TAE] bit is set. It is up to application software to query the Target's status register and determine the source of the error. It is up to application software to clear this bit by writing '1' to it.
23-0	—	Reserved, should be cleared.

19.3.2.11 Configuration Address Register (PCICAR)

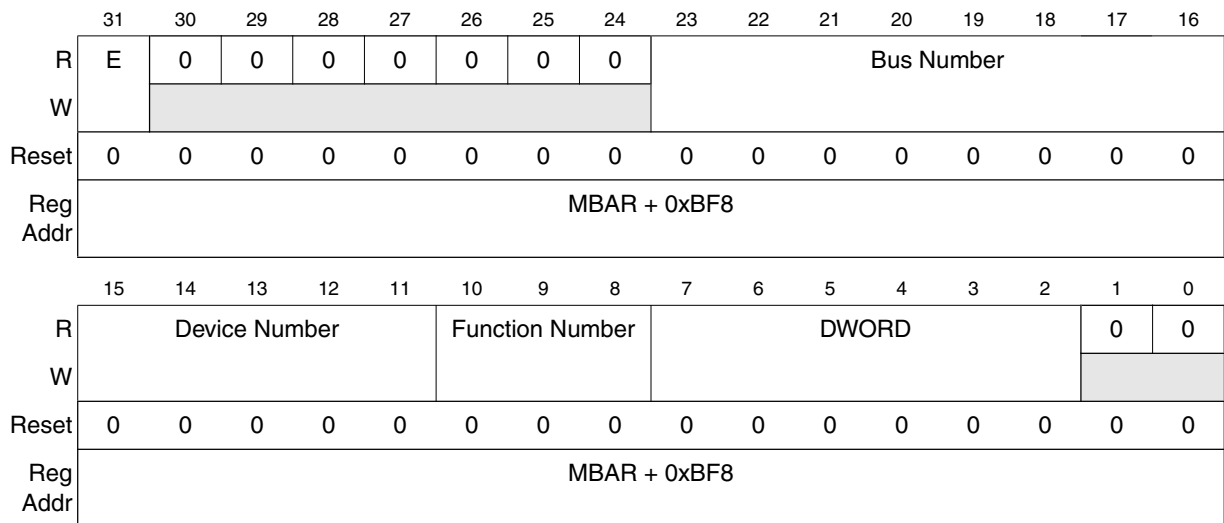


Figure 19-19. Configuration Address Register (PCICAR)

Table 19-18. PCICAR Field Descriptions

Bits	Name	Description
31	E	Enable. The enable flag that controls configuration space mapping. When enabled, subsequent access to initiator window space defined as I/O in the PCIWCR is translated into a PCI configuration, special cycle, or interrupt acknowledge access using the configuration address register information (Section 19.4.4.2, "Configuration Mechanism."). When disabled, a read or write to the window is passed through to the PCI bus as an I/O transaction. 0 Disabled 1 Enabled
30-24	—	Reserved, should be cleared.
23-16	Bus Number	This register field is an encoded value used to select the target bus of the configuration access. For target devices on the PCI bus connected to MCF547X, this field should be set to 0x00.

Table 19-18. PCICAR Field Descriptions

Bits	Name	Description
15–11	Device Number	This field is used to select a specific device on the target bus. Section 19.4.4.2, “Configuration Mechanism,” for more information.
10–8	Function Number	This field is used to select a specific function in the requested device. Single-function devices should respond to function number ‘000’.
7–2	DWORD	This field is used to select the Dword address offset in the configuration space of the target device.
1–0	—	Reserved, should be cleared.

19.3.3 Communication Subsystem Interface Registers

The communication subsystem/multichannel DMA interface has separate control registers for transmit and receive operations.

19.3.3.1 Comm Bus FIFO Transmit Interface

PCI Tx is controlled by 14 32-bit registers. These registers are located at an offset from MBAR of 0x8400. Register addresses are relative to this offset.

19.3.3.1.1 Tx Packet Size Register (PCITPSR)

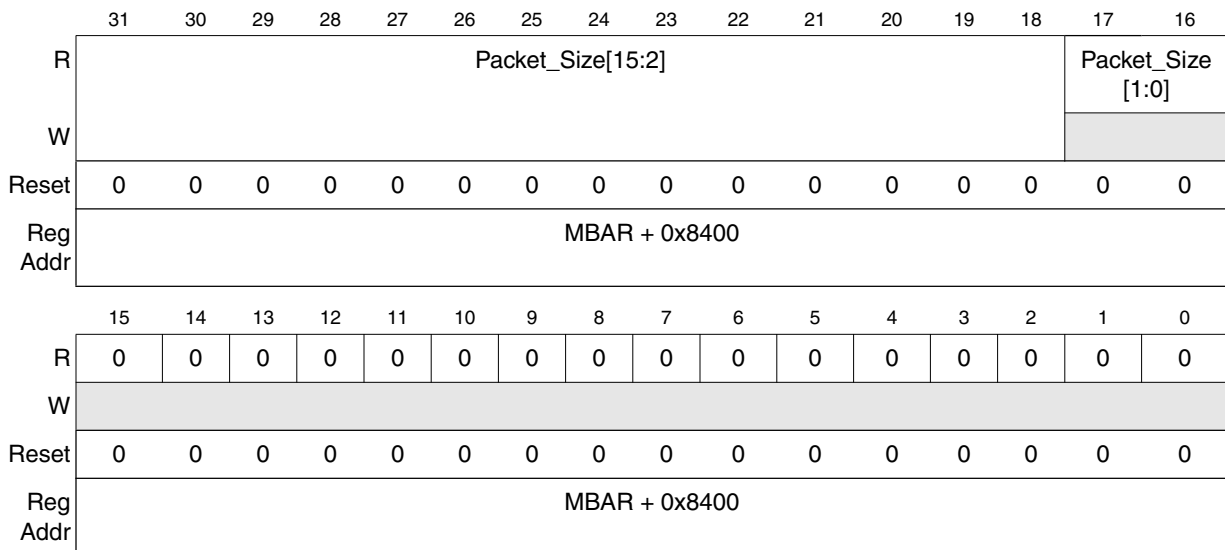
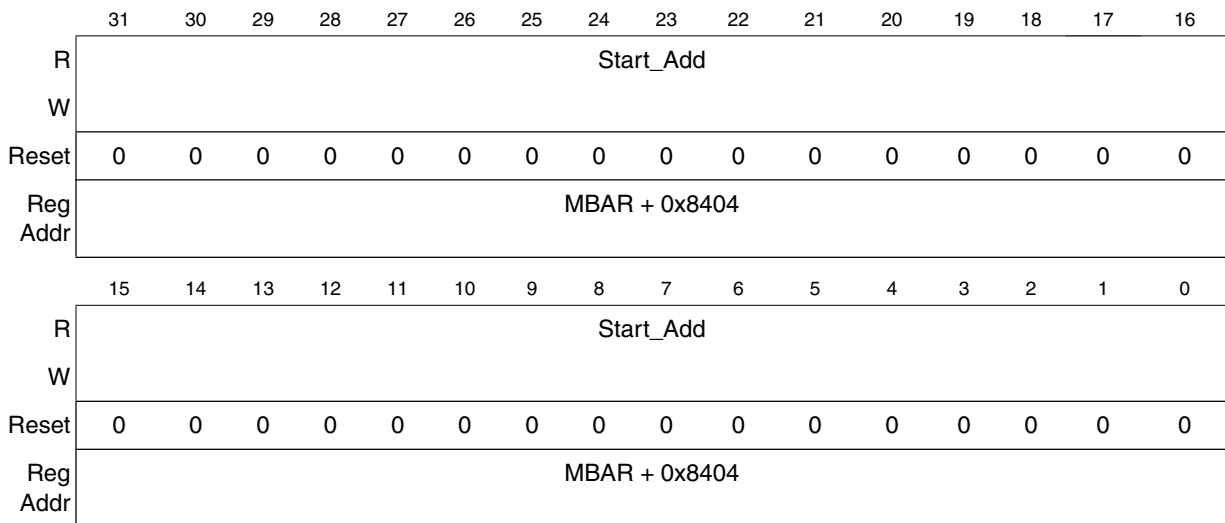


Figure 19-20. Tx Packet Size Register (PCITPSR)

Table 19-19. PCITPSR Field Descriptions

Bits	Name	Description
31–18	Packet_Size	Packet_Size [15:2]. The Packet_Size field indicates the number of bytes for the transmit controller to send over PCI. Only bits [15:2] are writable. Only 32-bit data transfers to the FIFO are allowed. Writing to this register also completes a Restart Sequence as long as the Master Enable bit, PCITER[ME], is high and Reset Controller bit, PCITER[RC], is low.
17–16		Packet_Size [1:0] The two low bits are hardwired low.
15–0	—	Reserved, should be cleared.

19.3.3.1.2 Tx Start Address Register (PCITSAR)**Figure 19-21. Tx Start Address Register (PCITSAR)****Table 19-20. PCITSAR Field Descriptions**

Bits	Name	Description
31–0	Start_Add	User writes the PCI address to be presented for the first DWORD of a PCI packet. The PCI Tx controller will track and calculate the necessary address for subsequent transactions. Addressing is assumed to be sequential from the start address unless the PCITTCR[DI] bit is set. This register will not increment as the PCI packet proceeds.

19.3.3.1.3 Tx Transaction Control Register (PCITTCR)

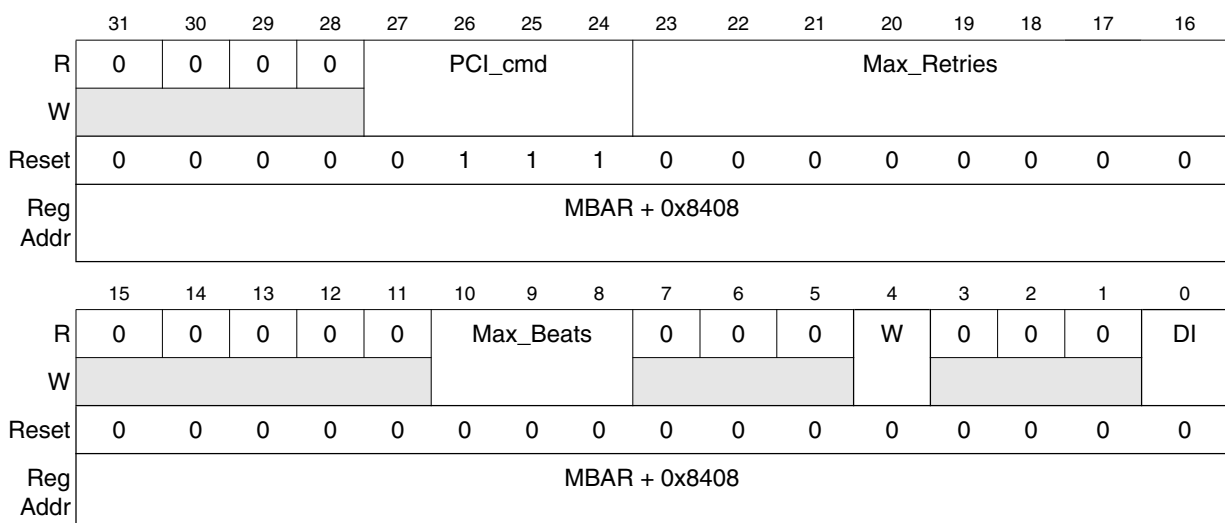


Figure 19-22. Tx Transaction Control Register (PCITTCR)

Table 19-21. PCITTCR Field Descriptions

Bits	Name	Description
31–28	—	Reserved, should be cleared.
27–24	PCI_cmd	The user writes this field with the desired PCI command to present during the address phase of each PCI transaction. The default is Memory Write. This field is not checked for consistency and if written to an illegal value, unpredictable results will occur. If not using the default value, the user should write this register only once prior to any packet Restart.
23–16	Max_Retries	The user writes this field with the maximum number of retries to permit “per packet”. The retry counter is reset when the packet completes normally or is terminated by a master abort, target abort, or an abort due to exceeding the retry limit. A slow or malfunctioning Target might issue infinite disconnects and therefore permanently tie up the PCI bus. A finite (0x01 to 0xf) Max_Retries value will detect this condition and generate an interrupt. Setting Max_Retries to 0x00 will not generate an interrupt but will permit re-arbitration of the PCI bus between each disconnect.
15–11	—	Reserved, should be cleared.
10–8	Max_Beats	The user writes this register with the desired number of PCI data beats to attempt on each PCI transaction. The default setting of 0 represents the maximum of eight beats per transaction. The transmit controller will wait until sufficient bytes are in the Transmit FIFO to support the indicated number of beats (NOTE: Each beat is four bytes). In the case that a packet is nearly complete and less than the Max_Beats number of bytes remain to complete the packet, the Transmit Controller will issue single-beat transactions automatically until the packet is finished.
7–5	—	Reserved, should be cleared.
4	W	Word transfer. The user writes this register to disable the two high byte enables of the PCI bus during write transactions initiated by this interface. The default setting is 0, enable all 4 byte enables.

Table 19-21. PCITTCR Field Descriptions

Bits	Name	Description
3-1	—	Reserved, should be cleared.
0	DI	Disable address incrementing. The user writes this register to disable PCI address incrementing between transactions. The default setting is 0, increment address by 4 (4 byte data bus).

19.3.3.1.4 Tx Enables Register (PCITER)

	31	30	29	28	27	26	25	24	23	22	21	20	19	18	17	16
R	RC	RF	0	CM	BE	0	0	ME	0	0	FEE	SE	RE	TAE	IAE	NE
W																
Reset	0	0	0	0	0	0	0	0	0	0	0	0	0	0	0	0
Reg Addr	MBAR + 0x840C															
	15	14	13	12	11	10	9	8	7	6	5	4	3	2	1	0
R	0	0	0	0	0	0	0	0	0	0	0	0	0	0	0	0
W																
Reset	0	0	0	0	0	0	0	0	0	0	0	0	0	0	0	0
Reg Addr	MBAR + 0x840C															

Figure 19-23. Tx Enables Register (PCITER)

Table 19-22. PCITER Field Descriptions

Bits	Name	Description
31	RC	Reset controller. User writes this bit high to put Transmit Controller in a reset state. Other register bits are not affected. This Reset is intended for recovery from an error condition or to reload the Start Address when Continuous mode is selected. This Reset bit does not prohibit register access but it must be negated in order to initiate a Restart sequence (i.e. writing the Packet_Size register). If it is used to reload a Start Address then the Start_Add register must be written prior to deasserting this Reset bit.
30	RF	Reset FIFO. The FIFO will be reset and flushed of any existing data when set high. The Reset Controller bit and the Reset FIFO bit operate independently but clearly both must be low for normal operation.
29	—	Reserved, should be cleared.
28	CM	Continuous mode. User writes this bit high to activate Continuous mode. In Continuous mode the Start_Add value is ignored at each packet restart and the PCI address is auto-incremented from one packet to the next. Also, the Packets_Done status byte will become active, indicating how many packets have been transmitted since the last Reset Controller condition. If the Continuous bit is low, software is responsible for updating the Start_Add value at each packet Restart.

Table 19-22. PCITER Field Descriptions (Continued)

Bits	Name	Description
27	BE	Bus error enable. User writes this bit high to enable bus error indications. Setting this bit allows the errors indicated by BE1, BE2, and BE3 in PCITSR to generate a bus error, which can result in a TEA on the XL bus. See the Tx Status register (PCITSR) for bus error descriptions. Normally this bit will be low (negated) since illegal slave bus accesses are not destructive to register contents (although it may indicate broken software). This bit does not affect interrupt generation.
26–25	—	Reserved, should be cleared.
24	ME	Master enable. This is the Transmit Controller master enable signal. User must write it high to enable operation. It can be toggled low to permit out-of-order register updates prior to generating a Restart sequence (in which case transmission will begin when Master Enable is written back high), but it should not be used as such in Continuous mode because it can have the side effect of resetting the Packets_Done status counter.
23–22	—	Reserved, should be cleared.
21	FEE	FIFO error enable. User writes this bit high to enable CPU Interrupt generation in the case of FIFO error termination of a packet transmission. It may be desirable to mask CPU interrupts in the case that multichannel DMA is controlling operation, but in such a case software should poll the status bits to prevent a possible lock-up condition.
20	SE	System error enable. User writes this bit high to enable CPU Interrupt generation in the case of system error termination of a packet transmission.. It may be desirable to mask CPU interrupts in the case that multichannel DMA is controlling operation, but in such a case software should be polling the status bits to prevent a possible lock-up condition.
19	RE	Retry abort enable. User writes this bit high to enable CPU Interrupt generation in the case of retry abort termination of a packet transmission. It may be desirable to mask CPU interrupts in the case that multichannel DMA is controlling operation, but in such a case software should poll the status bits to prevent a possible lock-up condition.
18	TAE	Target abort enable. User writes this bit high to enable CPU Interrupt generation in the case of target abort termination of a packet transmission. It may be desirable to mask CPU interrupts in the case that multichannel DMA is controlling operation, but in such a case software should poll the status bits to prevent a possible lock-up condition.
17	IAE	Initiator abort enable. User writes this bit high to enable CPU Interrupt generation in the case of initiator abort termination of a packet transmission. It may be desirable to mask CPU interrupts in the case that multichannel DMA is controlling operation, but in such a case software should poll the status bits to prevent a possible lock-up condition.
16	NE	Normal termination enable. User writes this bit high to enable CPU Interrupt generation at the conclusion of a normally terminated packet transmission. This may or may not be desirable depending on the nature of program control by multichannel DMA or the processor core.
15–0	—	Reserved, should be cleared.

19.3.3.1.5 Tx Next Address Register (PCITNAR)

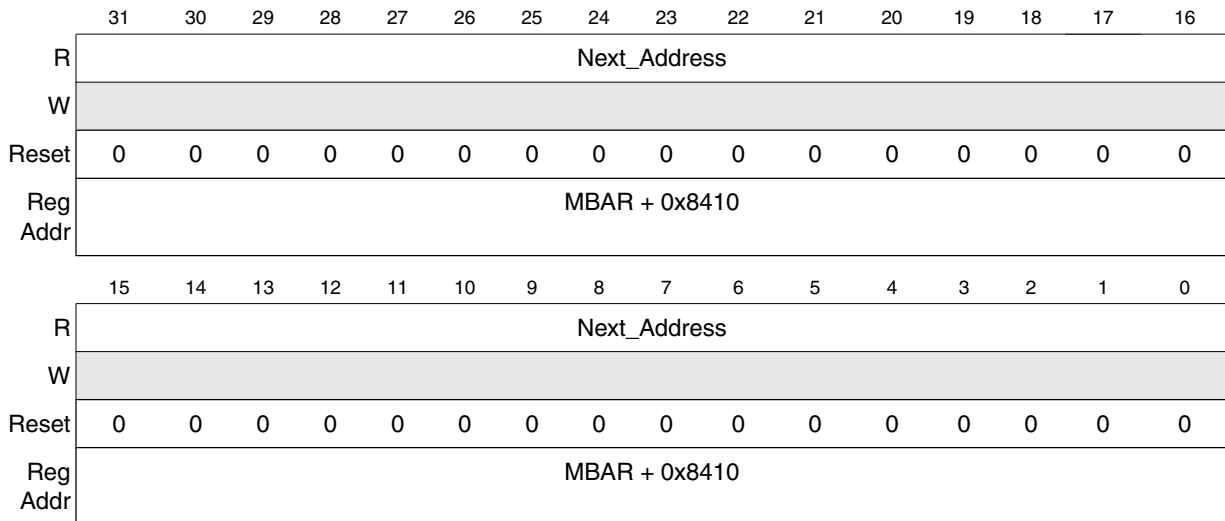


Figure 19-24. Tx Next Address Register (PCITNAR)

Table 19-23. PCITNAR Field Descriptions

Bits	Name	Description
31–0	Next_Address	This status register contains the next (unwritten) PCI address and is updated at the successful completion of each PCI data beat. It represents a byte address and is updated with the user-written Start_Add value whenever the Start_Add is reloaded. It is intended to be accurate even in the case of abnormal terminations on the PCI bus.

19.3.3.1.6 Tx Last Word Register (PCITLWR)

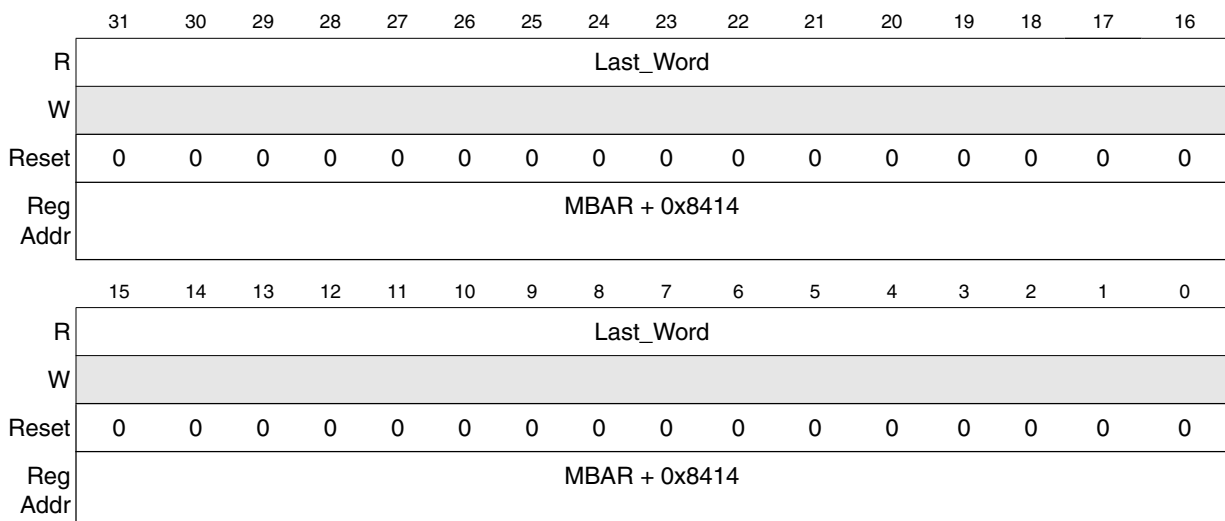


Figure 19-25. Tx Last Word Register (PCITLWR)

Table 19-24. PCITLWR Field Descriptions

Bits	Name	Description
31–0	Last_Word	This status register indicates the last 32-bit data fetched from the FIFO and is designed for the case in which an abnormal PCI termination has corrupted the integrity of the FIFO data (for that word).

19.3.3.1.7 Tx Done Counts Register (PCITDCR)

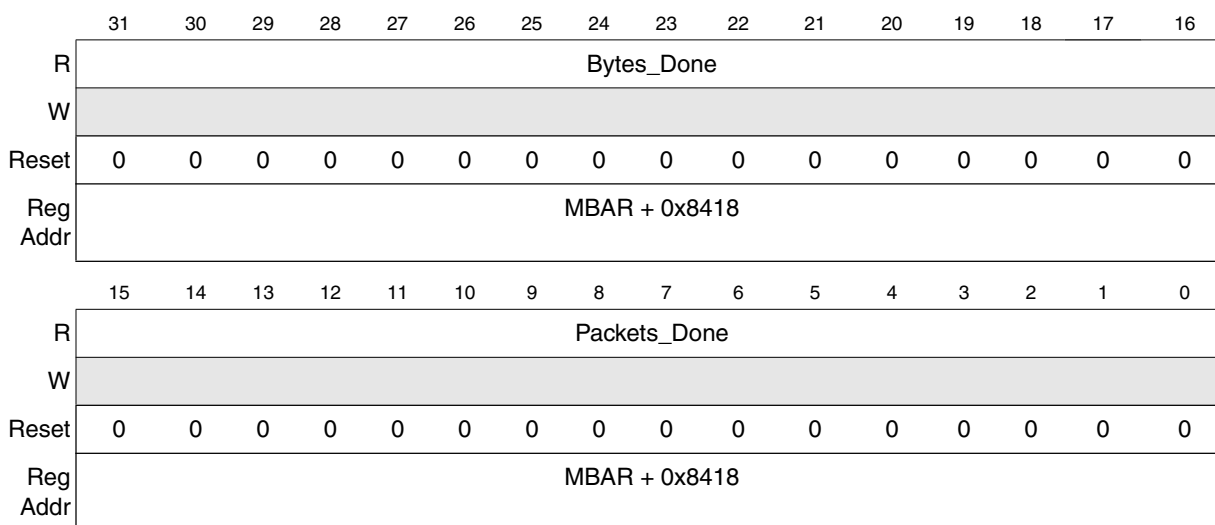


Figure 19-26. Tx Done Counts Register (PCITDCR)

Table 19-25. PCITDCR Field Descriptions

Bits	Name	Description
31–16	Bytes_Done	This status register indicates the number of bytes transmitted since the start of a packet. It is updated at the end of each successful PCI data beat. For normally terminated packets the Bytes_Done value and the Packet_Size values will be equal. If Continuous Mode is active, the Bytes_Done value operates the same way. When the restart occurs for a continuous packet, however, Bytes_Done will read 0 and the Packets_Done field will increment.
15–0	Packets_Done	<p>This status register indicates the number of previous packets transmitted and is active only if continuous mode is in effect. The counter is reset if the following occurs:</p> <ul style="list-style-type: none"> Reset Controller bit, PCITER[RC], is asserted (normal way to restart continuous mode) Master Enable bit, PCITER[ME], is negated during the current PCI data transmission and left negated until the NT status bit asserts <p>The Master Enable bit, if negated as described, resets the Packets_Done status without disturbing continuous mode addressing..</p> <p>At any point in time, the total number of Bytes transmitted can be calculated as:</p> $(Packets_Done \times Packet_Size) + Bytes_Done$ <p>assuming Packet_Size is the same for all restart sequences and the Packets_Done register has not been cleared.</p>

19.3.3.1.8 Tx Status Register (PCITSR)

	31	30	29	28	27	26	25	24	23	22	21	20	19	18	17	16
R	0	0	0	0	0	0	0	NT	BE3	BE2	BE1	FE	SE	RE	TA	IA
W								rwc ¹	rwc ¹	rwc ¹	rwc ¹	rwc ¹	rwc ¹	rwc ¹	rwc ¹	rwc ¹
Reset	0	0	0	0	0	0	0	0	0	0	0	0	0	0	0	0
Reg Addr	MBAR + 0x841C															
	15	14	13	12	11	10	9	8	7	6	5	4	3	2	1	0
R	0	0	0	0	0	0	0	0	0	0	0	0	0	0	0	0
W																
Reset	0	0	0	0	0	0	0	0	0	0	0	0	0	0	0	0
Reg Addr	MBAR + 0x841C															

¹ Bits 24-16 are read-write-clear (rwc).

—Hardware can set rwc bits, but cannot clear them.

—Software can clear rwc bits that are currently set by writing a 1 to the bit location. Writing a 1 to a rwc bit that is currently a 0 or writing a 0 to any rwc bit has no effect.

Figure 19-27. Tx Status Register (PCITSR)

Table 19-26. PCITSR Field Descriptions

Bits	Name	Description
31–25	—	Reserved, should be cleared.
24	NT	Normal termination. This bit is set when any packet terminates normally. It is not set for abnormally terminated packets. An interrupt will be generated by this condition if the PCITER[NE] bit is set. This bit is cleared by writing '1' to it.
23	BE3	Bus error type 3. This bit is set whenever a slave bus transaction attempts to write to a Read-Only register. This flag bit is set regardless of the bus error enable bit (BE). If software is polling and wishes to disregard this error it must mask this bit out. No register bit corruption occurs for this (or any other) bus error case. This bit is cleared by writing '1' to it.
22	BE2	Bus error type 2. This bit is set whenever a slave bus transaction attempts to write to a Reserved register (an entire 32-bit register, not just a Reserved bit or byte). This flag bit is set regardless of the bus error enable bit (BE). If software is polling and wishes to disregard this error it must mask this bit out. This bit is cleared by writing '1' to it.
21	BE1	Bus error type 1. This bit is set whenever a slave bus transaction attempts to read a Reserved register (an entire 32-bit register, not just a Reserved bit or byte). This flag bit is set regardless of the bus error enable bit (BE). If software is polling and wishes to disregard this error it must mask this bit out. This bit is cleared by writing '1' to it.
20	FE	FIFO error. This bit is set whenever the Transmit FIFO asserts an unmasked error bit. An interrupt will be generated by this condition if the PCITER[FEE] bit is set. The source of the error must be determined by reading the FIFO status register PCITFSR. Also, the error condition must be cleared at the FIFO prior to clearing this Sticky bit or this flag will continue to assert. This bit is cleared by writing '1' to it.

Table 19-26. PCITSR Field Descriptions

Bits	Name	Description
19	SE	System error. This bit is set in response to the Transmit Controller entering an illegal state. System error indicates a malfunction of the block and should not occur in normal operation. An interrupt can be generated by this condition if the PCITER[SE] bit is set. In normal operation this should never occur. The only recovery is to assert the reset controller bit, PCITER[RC], and clear this flag by writing '1' to it.
18	RE	Retry error. This bit is set if Max_Retries is set to a finite value (0x01 to 0xff) and the PCI transaction has performed retries in excess of the setting. An interrupt will be generated by this condition if the PCITER[RE] bit is set. This retry counter is reset at the beginning of each packet, not at the beginning of each transaction. This bit is cleared by writing '1' to it.
17	TA	Target abort. This bit is set if the PCI controller has issued a Target Abort (which means the addressed PCI Target has signalled an Abort). An interrupt will be generated by this condition if the PCITER[TAE] bit is set. It is up to application software to query the Target's status register and determine the source of the error. The coherency of the Transmit FIFO data and the Transmit Controller's status registers (Next_Address, Bytes_Done, etc.) should remain valid. This bit is cleared by writing '1' to it.
16	IA	Initiator abort. This bit is set if the PCI controller issues an Initiator Abort. This indicates that no Target responded but further status information can be read from the PCI Configuration interface. An interrupt will be generated by this condition if the PCITER[IAE] bit is set. The coherency of the Transmit FIFO data and the Transmit Controller's status registers (Next_Address, Bytes_Done, etc.) should remain valid. This bit is cleared by writing '1' to it.
15-0	—	Reserved, should be cleared.

NOTE

Registers MBAR + 0x8420 through MBAR + 0x843C are reserved for future use. Accesses to these registers will result in undefined behavior.

19.3.3.1.9 Tx FIFO Data Register (PCITFDR)

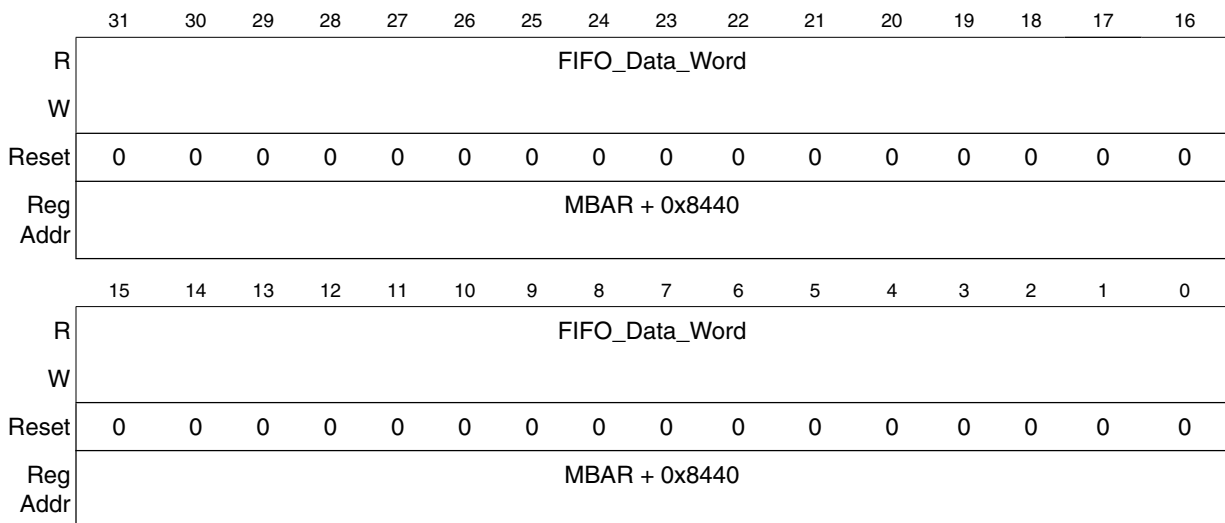


Figure 19-28. Tx FIFO Data Register (PCITFDR)

Table 19-27. PCITFDR Field Descriptions

Bits	Name	Description
31–0	FIFO_Data_Word	This is the data port to the FIFO. Reading from this location will “pop” data from the FIFO, writing data will “push” data into the FIFO. During normal operation the multichannel DMA controller will be pushing data here. The PCI controller will pop data for transmission from a dedicated peripheral port, so the user program should not be reading here. Note: Only full 32-bit accesses are allowed. If all FIFO byte enables are not asserted when accessing this location, FIFO data will be corrupted.

19.3.3.1.10 Tx FIFO Status Register (PCITFSR)

	31	30	29	28	27	26	25	24	23	22	21	20	19	18	17	16	
R	IP	TXW	0	0	0	0	0	0	FAE	RXW	UF	OF	FR	Full	Alarm	Empty	
W	rwc ¹	rwc ¹							rwc ¹	rwc ¹	rwc ¹	rwc ¹					
Reset	0	0	0	0	0	0	0	0	0	0	0	0	0	0	1	1	
Reg Addr	MBAR + 0x8444																
	15	14	13	12	11	10	9	8	7	6	5	4	3	2	1	0	
R	0	0	0	0	0	0	0	0	0	0	0	0	0	0	0	0	
W																	
Reset	0	0	0	0	0	0	0	0	0	0	0	0	0	0	0	0	
Reg Addr	MBAR + 0x8444																

¹ Bits 31, 30 and 23-20 are read-write-clear (rwc).

—Hardware can set rwc bits, but cannot clear them.

—Software can clear rwc bits that are currently set by writing a 1 to the bit location. Writing a 1 to a rwc bit that is currently a 0 or writing a 0 to any rwc bit has no effect.

Figure 19-29. Tx FIFO Status Register (PCITFSR)**Table 19-28. PCITFSR Field Descriptions**

Bits	Name	Description
31	IP	Illegal Pointer. An address outside the FIFO controller’s memory range has been written to one of the user visible pointers. This bit will cause the FIFO error output to assert unless the IP_MASK bit in the FIFO Controller register is set. Resetting the FIFO will clear this condition and the bit is cleared by writing a one to it.
30	TXW	Transmit Wait Condition. Since the Transmit Controller waits for enough data in the FIFO to satisfy each PCI transaction before the transfer initiates, this bit will not assert.
29–24	—	Reserved, should be cleared.
23	FAE	Frame accept error. This module does not support data framing functionality, so this bit should be ignored.

Table 19-28. PCITFSR Field Descriptions

Bits	Name	Description
22	RXW	Receive wait condition. Since this FIFO is configured as a Transmit FIFO (i.e. the PCI controller only reads from this FIFO), this bit will not assert.
21	UF	Underflow. This bit indicates that the read pointer has surpassed the write pointer. In other words the FIFO has been read beyond Empty. Resetting the FIFO will clear this condition and the bit is cleared by writing a one to it.
20	OF	Overflow. This bit indicates that the write pointer has surpassed the read pointer. In other words the FIFO has been written beyond Full. Resetting the FIFO will clear this condition and the bit is cleared by writing a one to it.
19	FR	Frame ready. The FIFO has a complete Frame of data ready for transmission. This module does not provide support for data framing functionality, so this bit should be ignored.
18	Full	The FIFO is Full. This is not a sticky bit or error condition. The Full indication tracks with the state of the FIFO.
17	Alarm	The FIFO is at or above the Alarm “watermark”, as set by the user according to the Alarm and Control registers settings. This is not a sticky bit or error indication.
16	Empty	The FIFO is empty. This is not a sticky bit or error condition.
15–0	—	Reserved, should be cleared.

19.3.3.1.11 Tx FIFO Control Register (PCITFCR)

	31	30	29	28	27	26	25	24	23	22	21	20	19	18	17	16
R	0	0	WFR	0	0	GR			IP_MASK	FAE_MASK	RXW_MASK	UF_MASK	OF_MASK	TXW_MASK	0	0
W																
Reset	0	0	0	0	0	0	0	1	0	0	1	0	0	0	0	0
Reg Addr	MBAR + 0x8448															
	15	14	13	12	11	10	9	8	7	6	5	4	3	2	1	0
R	0	0	0	0	0	0	0	0	0	0	0	0	0	0	0	0
W																
Reset	0	0	0	0	0	0	0	0	0	0	0	0	0	0	0	0
Reg Addr	MBAR + 0x8448															

Figure 19-30. Tx FIFO Control Register (PCITFCR)

Table 19-29. PCITFCR Field Descriptions

Bits	Name	Description
31–30	—	Reserved, should be cleared.
29	WFR	Write frame. When this bit is set, the FIFO controller assumes next data transmitted is End of Frame (EOF). Note: This module does not support Framing. This bit should remain low.
28-27	—	Reserved, should be cleared.
26–24	GR[2:0]	Granularity. Control high “watermark” point at which FIFO negates Alarm condition (i.e., request for data). It represents the number of free bytes times 4. A granularity setting of zero should be avoided because it means the Alarm bit (and the Requestor signal) will not negate until the FIFO is completely full. The multichannel DMA module may perform up to 2 additional data writes after the negation of a Requestor due to its internal pipelining.
23	IP_MASK	Illegal pointer mask. When this bit is set, the FIFO controller masks the Status register’s IP bit from generating an error.
22	FAE_MASK	Frame accept error mask. When this bit is set, the FIFO controller masks the Status Register’s FAE bit from generating an error.
21	RXW_MASK	Receive wait condition mask. When this bit is set, the FIFO controller masks the Status Register’s RXW bit from generating an error. (To help with backward compatibility, this bit is asserted at reset.)
20	UF_MASK	Underflow mask. When this bit is set, the FIFO controller masks the Status Register’s UF bit from generating an error.
19	OF_MASK	Overflow mask. When this bit is set, the FIFO controller masks the Status Register’s OF bit from generating an error.
18	TXW_MASK	Transmit wait condition mask. When this bit is set, the FIFO controller masks the Status Register’s TXW bit from generating an error. (To help with backward compatibility, this bit is asserted at reset.)
17–0	—	Reserved, should be cleared.

19.3.3.1.12 Tx FIFO Alarm Register (PCITFAR)

	31	30	29	28	27	26	25	24	23	22	21	20	19	18	17	16
R	0	0	0	0	0	0	0	0	0	0	0	0	0	0	0	0
W																
Reset	0	0	0	0	0	0	0	0	0	0	0	0	0	0	0	0
Reg Addr	MBAR + 0x844C															
	15	14	13	12	11	10	9	8	7	6	5	4	3	2	1	0
R	0	0	0	0	Alarm					Alarm						
W																
Reset	0	0	0	0	0	0	0	0	0	0	0	1	1	1	1	1
Reg Addr	MBAR + 0x844C															

Figure 19-31. Tx FIFO Alarm Register (PCITFAR)

Table 19-30. PCITFAR Field Descriptions

Bits	Name	Description
31–12	—	Reserved, should be cleared.
11–7	Alarm	Bits 11-7 are hardwired low.
6–0		Bits 6-0 are programmable to control a 128-byte FIFO. User writes these bits to set low level “watermark”, which is the point where FIFO asserts request for multichannel DMA controller data filling. Value is in bytes. For example, with Alarm = 32 (0x20), an alarm condition occurs when the FIFO contains less than 32 bytes. Once asserted, alarm does not negate until high level mark is reached, as specified by FIFO control register granularity (GR[2:0]) bits. Note: The Alarm setting should be programmed to a value greater than or equal to Max_Beats * 4 or else data transfer may stall. The Tx controller waits for enough data to form a burst of Max_Beats to be in the FIFO before it will transmit data. For a Max_Beats value of 0(8 beats), Alarm should be programmed to 32 or greater.

19.3.3.1.13 Tx FIFO Read Pointer Register (PCITFRPR)

	31	30	29	28	27	26	25	24	23	22	21	20	19	18	17	16
R	0	0	0	0	0	0	0	0	0	0	0	0	0	0	0	0
W																
Reset	0	0	0	0	0	0	0	0	0	0	0	0	0	0	0	0
Reg Addr	MBAR + 0x8450															
	15	14	13	12	11	10	9	8	7	6	5	4	3	2	1	0
R	0	0	0	0	0	0	0	0	0	ReadPtr						
W																
Reset	0	0	0	0	0	0	0	0	0	0	0	0	0	0	0	0
Reg Addr	MBAR + 0x8450															

Figure 19-32. Tx FIFO Read Pointer Register (PCITFRPR)

Table 19-31. PCITFRPR Field Descriptions

Bits	Name	Description
31–7	—	Reserved, should be cleared.
6–0	ReadPtr	This value is maintained by FIFO hardware and is not normally written by the user. It can be adjusted in special cases, but this disrupts data flow integrity. The value represents the Read address presented to the FIFO RAM.

19.3.3.1.14 Tx FIFO Write Pointer Register (PCITFWPR)

	31	30	29	28	27	26	25	24	23	22	21	20	19	18	17	16
R	0	0	0	0	0	0	0	0	0	0	0	0	0	0	0	0
W																
Reset	0	0	0	0	0	0	0	0	0	0	0	0	0	0	0	0
Reg Addr	MBAR + 0x8454															
	15	14	13	12	11	10	9	8	7	6	5	4	3	2	1	0
R	0	0	0	0	0	0	0	0	0	WritePtr						
W																
Reset	0	0	0	0	0	0	0	0	0	0	0	0	0	0	0	0
Reg Addr	MBAR + 0x8454															

Figure 19-33. Tx FIFO Write Pointer Register (PCITFWPR)

Table 19-32. PCITFWPR Field Descriptions

Bits	Name	Description
31–7	—	Reserved, should be cleared.
6–0	WritePtr	Value is maintained by FIFO hardware and is not normally written by user. It can be adjusted in special cases, but this disrupts data flow integrity. Value represents the Write address presented to the FIFO RAM.

This marks the end of the PCI Comm Bus FIFO Transmit Interface description.

19.3.3.2 Comm Bus FIFO Receive Interface

PCI Rx is controlled by 13 32-bit registers. These registers are located at an offset from MBAR. Register addresses are relative to this offset.

19.3.3.2.1 Rx Packet Size Register (PCIRPSR)

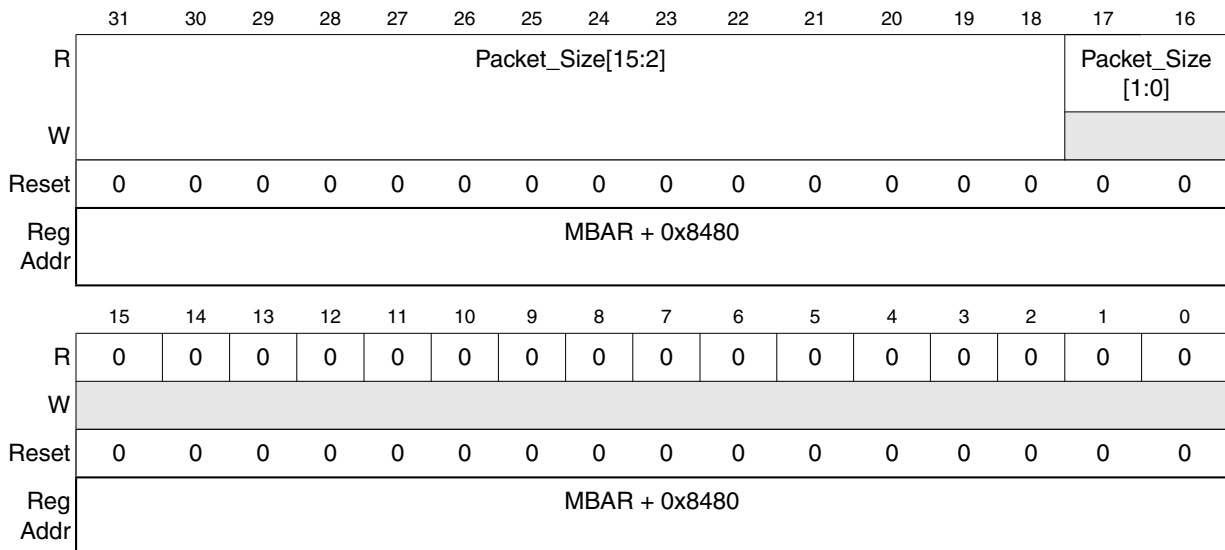


Figure 19-34. Rx Packet Size Register (PCIRPSR)

Table 19-33. PCIRPSR Field Descriptions

Bits	Name	Description
31–18	Packet_Size	Packet_Size [15:2]. The Packet_Size field indicates the number of bytes for the receive controller to read over PCI. Only bits [15:2] are writable. Only 32-bit data transfers to the FIFO are allowed. Writing to this register also completes a Restart Sequence as long as the Master Enable bit, PCIRER[ME], is high and Reset Controller bit, PCIRER[RC], is low.
17-16		Packet_Size [1:0] The two low bits are hardwired low.
15–0	—	Reserved, should be cleared. No Bus Error is generated.

19.3.3.2.2 Rx Start Address Register (PCIRSAR)

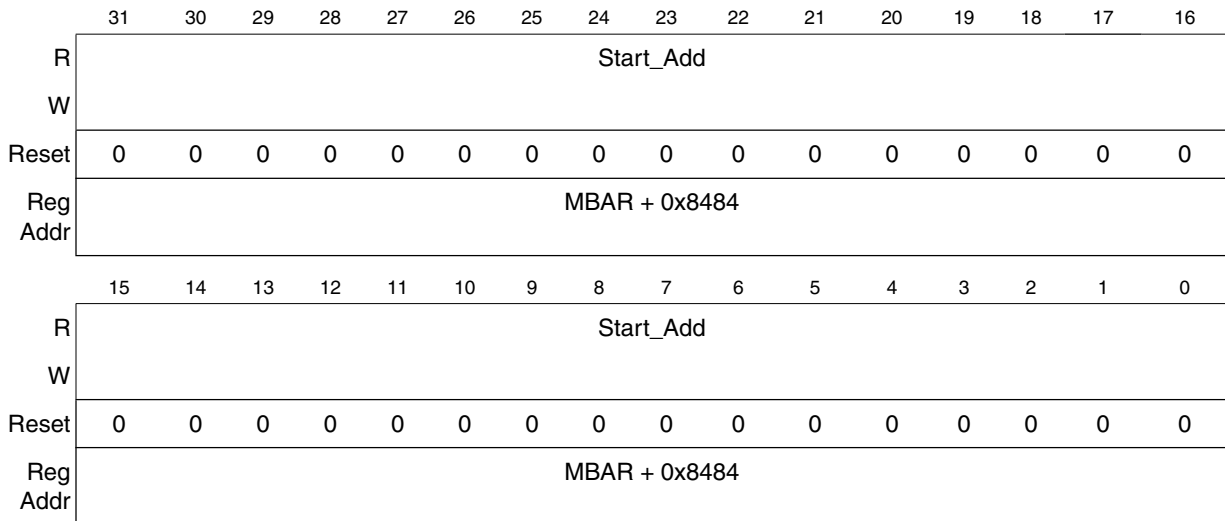


Figure 19-35. Rx Start Address Register (PCIRSAR)

Table 19-34. PCIRSAR Field Descriptions

Bits	Name	Description
31–0	Start_Add	The user writes this register with the desired starting address for the current packet. This is the address which will be first presented on the external PCI bus and then auto-incremented as necessary. Addressing is assumed to be sequential from the start address unless the PCIRTCR[DI] bit is set. This register will not increment as the PCI packet proceeds.

19.3.3.2.3 Rx Transaction Control Register (PCIRTCR)

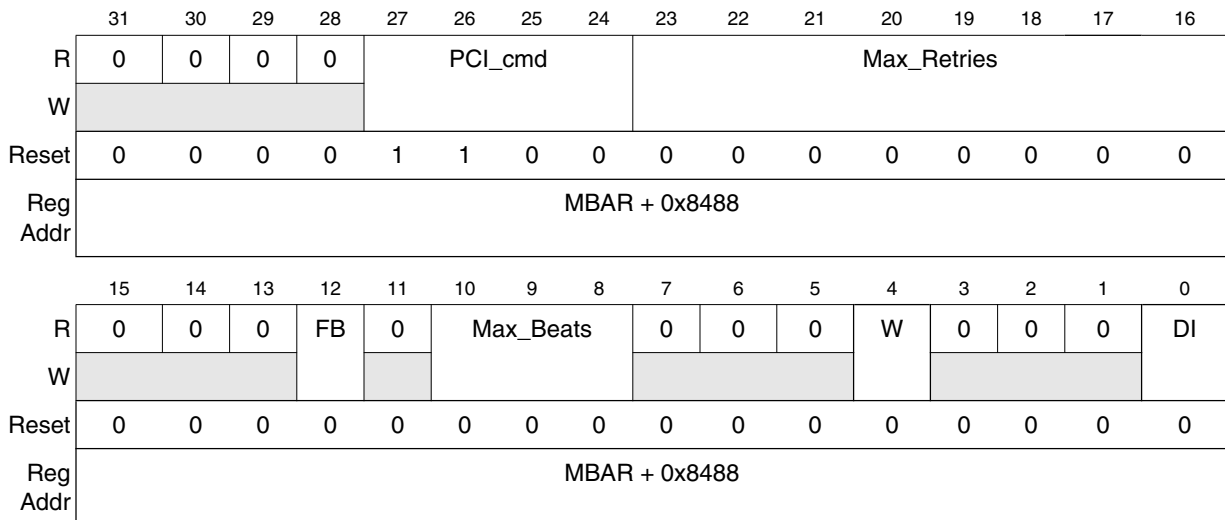


Figure 19-36. Rx Transaction Control Register (PCIRTCR)

Table 19-35. PCIRTCR Field Descriptions

Bits	Name	Description
31–28	—	Reserved, should be cleared.
27–24	PCI_cmd	The user writes this field with the desired PCI command to present during the address phase of each PCI transaction. The default is Memory Read Multiple. This field is not checked for consistency and if written to an illegal value, unpredictable results will occur. If not using the default value, the user should write this register only once prior to any packet Restart.
23–16	Max_Retries	The user writes this field with the maximum number of retries to permit “per packet”. The retry counter is reset when the packet completes normally or is terminated by a master abort, target abort, or an abort due to exceeding the retry limit. A slow or malfunctioning Target might issue infinite disconnects and therefore permanently tie up the PCI bus. A finite (0x01 to 0xf) Max_Retries value will detect this condition and generate an interrupt. Setting Max_Retries to 0x00 will not generate an interrupt but will permit re-arbitration of the PCI bus between each disconnect.
15–13	—	Reserved, should be cleared.
12	FB	<p>Full burst. This is the full burst bit and it supersedes the Max_Beats setting. Since Max_Beats provides support for up to 8-beat bursts, the Full burst bit should not be set for packets sizes of 8-beats or less. In Full burst mode, the user must program Packets_Size to at least 40 bytes.</p> <p>If full burst is set, no check of the Receive FIFO fullness is done and the PCI transaction is immediately started when Packet_Size register is written and the Rx controller gains the PCI bus. The PCI transaction will continue with multiple data beats <i>until the full packet is transferred</i> (up to 65,532 bytes). The full burst operation will not relinquish the PCI bus to any other internal PCI initiator, Tx controller or the XL bus initiator, until all packet bytes are received.</p> <p>All FIFO checks Rx Controller are disabled in this mode. It is up to the Multi-Channel DMA to keep the Rx FIFO from being overrun by the continuous incoming PCI burst data.</p>
11	Reserved	Reserved, should be cleared.
10–8	Max_Beats	The user writes this register with the desired number of PCI data beats to attempt on each PCI transaction. The default setting of 0 represents the maximum of eight beats per transaction. The receive controller will wait until sufficient space is in the Receive FIFO to support the indicated number of beats (Note: Each beat is four bytes). In the case that a packet is nearly complete and less than the Max_Beats number of bytes remain to complete the packet, the Receive Controller will issue single-beat transactions automatically until the packet is finished.
7–5	—	Reserved, should be cleared.
4	W	The user writes this register to disable the two high byte enables of the PCI bus during scpci initiated read transactions. The default setting is 0, enable all 4 byte enables.
3–1	—	Reserved, should be cleared.
0	DI	The user writes this register to disable PCI address incrementing between transactions. The default setting is 0, increment address by 4 (4 byte data bus).

19.3.3.2.4 Rx Enables Register (PCIRER)

	31	30	29	28	27	26	25	24	23	22	21	20	19	18	17	16
R	RC	RF	FE	CM	BE	0	0	ME	0	0	FEE	SE	RE	TAE	IAE	NE
W																
Reset	0	0	0	0	0	0	0	0	0	0	0	0	0	0	0	0
Reg Addr	MBAR + 0x848C															
	15	14	13	12	11	10	9	8	7	6	5	4	3	2	1	0
R	0	0	0	0	0	0	0	0	0	0	0	0	0	0	0	0
W																
Reset	0	0	0	0	0	0	0	0	0	0	0	0	0	0	0	0
Reg Addr	MBAR + 0x848C															

Figure 19-37. Rx Enables Register (PCIRER)

Table 19-36. PCIRER Field Descriptions

Bits	Name	Description
31	RC	Reset controller. User writes this bit high to put Receive Controller in a reset state. Note that other register bits are not affected. This Reset is intended for recovery from an error condition or to reload the Start Address when Continuous mode is selected. This Reset bit does not prohibit register access but it must be negated in order to initiate a Restart sequence (ie writing the Packet_Size register). If it is used to reload a Start Address then the Start_Add register must be written prior to deasserting this Reset bit.
30	RF	Reset FIFO. The FIFO will be reset and flushed of any existing data when set high. The Reset Controller bit and the Reset FIFO bit operate independently, but clearly both must be low for normal operation.
29	FE	Flush enable. This is an important bit which causes a flush signal to be generated to the Receive FIFO Controller when the end of the current packet occurs. This Flush is necessary to insure that the Multi-Channel DMA will get all data left in the Receive FIFO. FE is active high.
28	CM	Continuous mode. User writes this bit high to activate Continuous mode. In Continuous mode the Start_Add value is ignored at each packet restart and the PCI address is auto-incremented from one packet to the next. Also, the Packets_Done status byte will become active, indicating how many packets have been received since the last Reset Controller condition. If the Continuous bit is low, software is responsible for updating the Start_Add value at each packet Restart.
27	BE	Bus error enable. User writes this bit high to enable Bus Error indications. Setting this bit allows the errors indicated by BE1, BE2, and BE3 in PCIRSR to generate a bus error, which can result in a TEA on the XL bus.. See the Rx Status Register (PCIRSR) for Bus Error descriptions. Normally this bit will be 0 since illegal Slave bus accesses are not destructive to register contents, although it may indicate broken software. Note that this bit does not affect interrupt generation.
26–25	—	Reserved, should be cleared.

Table 19-36. PCIRER Field Descriptions

Bits	Name	Description
24	ME	Master enable. This is the Receive Controller master enable signal. User must write it high to enable operation. It can be toggled low to permit out-of-order register updates prior to generating a Restart sequence (in which case transmission will begin when Master Enable is written back high), but it should not be used as such in Continuous mode because it can have the side effect of resetting the Packets_Done status counter.
23–22	—	Reserved, should be cleared.
21	FEE	FIFO error enable. User writes this bit high to enable CPU Interrupt generation in the case of FIFO error termination of a packet transmission. It may be desirable to mask CPU interrupts in the case that Multi-Channel DMA is controlling operation, but in such a case software should poll the status bits to prevent a possible lock-up condition.
20	SE	System error enable. User writes this bit high to enable CPU Interrupt generation in the case of system error termination of a packet transmission. It may be desirable to mask CPU interrupts in the case that Multi-Channel DMA is controlling operation, but in such a case someone should be polling the status bits to prevent a possible lock-up condition.
19	RE	Retry abort enable. User writes this bit high to enable CPU Interrupt generation in the case of retry abort termination of a packet transmission. It may be desirable to mask CPU interrupts in the case that Multi-Channel DMA is controlling operation, but in such a case, software should poll the status bits to prevent a possible lock-up condition.
18	TAE	Target abort enable. User writes this bit high to enable CPU Interrupt generation in the case of target abort termination of a packet transmission. It may be desirable to mask CPU interrupts in the case that Multi-Channel DMA is controlling operation, but in such a case software should poll the status bits to prevent a possible lock-up condition.
17	IAE	Initiator abort enable. User writes this bit high to enable CPU Interrupt generation in the case of initiator abort error termination of a packet transmission. It may be desirable to mask CPU interrupts in the case that Multi-Channel DMA is controlling operation, but in such a case software should poll the status bits to prevent a possible lock-up condition.
16	NE	Normal termination enable. User writes this bit high to enable CPU Interrupt generation at the conclusion of a normally terminated packet transmission. This may or may not be desirable depending on the nature of program control by Multi-Channel DMA or the processor core.
15–0	—	Reserved, should be cleared.

19.3.3.2.5 Rx Next Address Register (PCIRNAR)

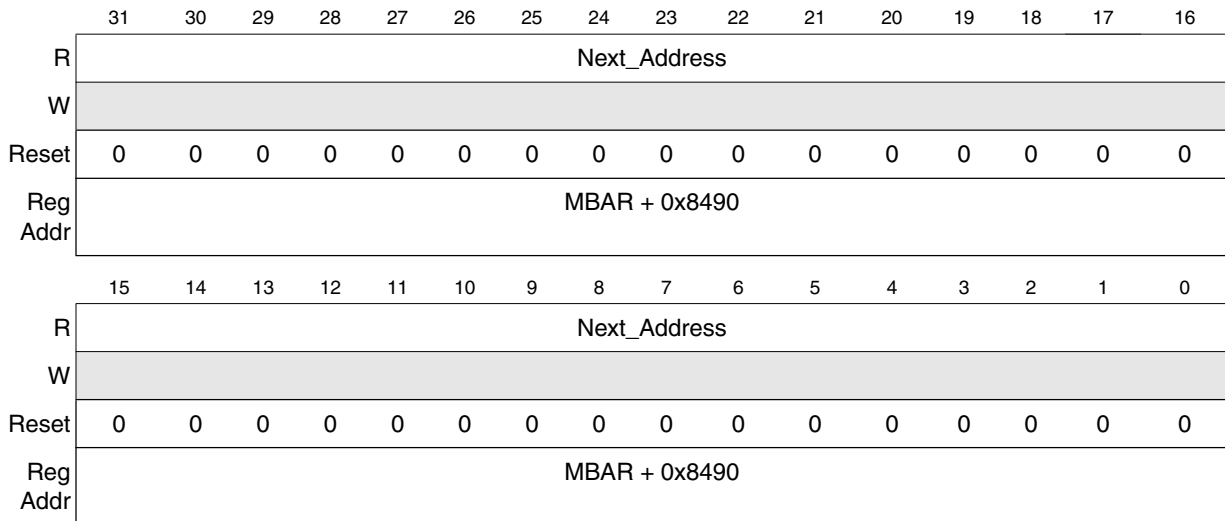


Figure 19-38. Rx Next Address Register (PCIRNAR)

Table 19-37. PCIRNAR Field Descriptions

Bits	Name	Description
31–0	Next_Addresses	This status register contains the next (unread) PCI address and is updated at the successful completion of each PCI data beat. It represents a byte address and is updated with a user-written Start_Add value when Start_Add is reloaded. This register is intended to be accurate even if an abnormal PCI bus termination occurs.

19.3.3.2.6 Rx Done Counts Register (PCIRDCCR)

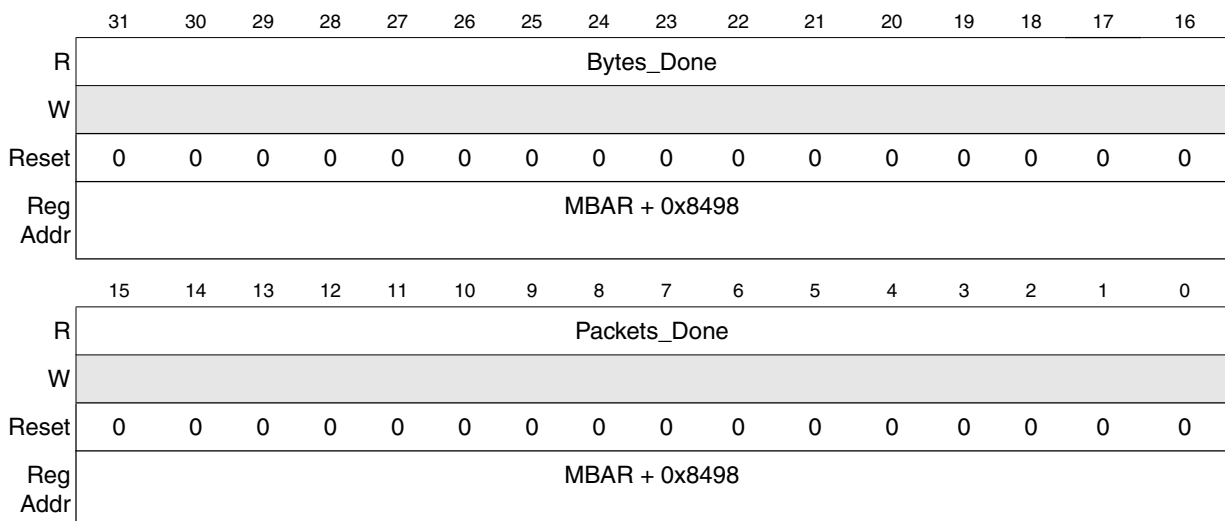


Figure 19-39. Rx Done Counts Register (PCIRDCCR)

Table 19-38. PCIRDCR Field Descriptions

Bits	Name	Description
31–16	Bytes_Done	This status register indicates the number of bytes received since the start of a packet. It is updated at the end of each successful PCI data beat. For normally terminated packets, the Bytes_Done value and the Packet_Size values are equal. If Continuous Mode is active, the Bytes_Done value operates the same way. When the restart occurs for a continuous packet, however, Bytes_Done will read 0 and the Packets_Done field will increment.
15–0	Packets_Done	<p>This status register indicates the number of previous packets received. It is active only if continuous mode is in effect. If the either of the following occurs, the counter is reset:</p> <ul style="list-style-type: none"> Reset Controller bit, PCIRER[RC], is asserted (normal way to restart continuous mode) Master Enable bit, PCIRER[ME], is negated during the current PCI data transmission and left negated until the NT status bit asserts <p>The Master Enable bit, if negated as described, resets the Packets_Done status without disturbing continuous mode addressing..</p> <p>At any point in time the total number of bytes received can be calculated as: $(\text{Packets_Done} \times \text{Packet_Size}) + \text{Bytes_Done}$</p> <p>This assumes Packet_Size is the same for all restart sequences and the Packets_Done register has not been cleared.</p>

19.3.3.2.7 Rx Status Register (PCIRSR)

	31	30	29	28	27	26	25	24	23	22	21	20	19	18	17	16
R	0	0	0	0	0	0	0	NT	BE3	BE2	BE1	FE	SE	RE	TA	IA
W								rwc ¹	rwc ¹	rwc ¹	rwc ¹	rwc ¹	rwc ¹	rwc ¹	rwc ¹	rwc ¹
Reset	0	0	0	0	0	0	0	0	0	0	0	0	0	0	0	0
Reg Addr	MBAR + 0x849C															
	15	14	13	12	11	10	9	8	7	6	5	4	3	2	1	0
R	0	0	0	0	0	0	0	0	0	0	0	0	0	0	0	0
W																
Reset	0	0	0	0	0	0	0	0	0	0	0	0	0	0	0	0
Reg Addr	MBAR + 0x849C															

¹ Bits 24-16 are read-write-clear (rwc).

—Hardware can set rwc bits, but cannot clear them.

—Software can clear rwc bits that are currently set by writing a 1 to the bit location. Writing a 1 to a rwc bit that is currently a 0 or writing a 0 to any rwc bit has no effect.

Figure 19-40. Rx Status Register (PCIRSR)

Table 19-39. PCIRSR Field Descriptions

Bits	Name	Description
31–25	—	Reserved, should be cleared.
24	NT	Normal Termination. This bit is set when any packet terminates normally. It is not set for abnormally terminated packets. An interrupt will be generated by this condition if the PCIRER[NE] bit is set. This bit is cleared by writing '1' to it.
23	BE3	Bus Error type 3. This bit is set whenever a Slave bus transaction attempts to write to a Read-Only register. This flag bit is set regardless of the Bus error Enable bit (BE). If software is polling and wishes to disregard this error it must mask this bit out. No corruption of the register bits occur for this (or any other) Bus Error case. This bit is cleared by writing '1' to it.
22	BE2	Bus Error type 2. This bit is set whenever a Slave bus transaction attempts to write to a Reserved register (an entire 32-bit register, not just a Reserved bit or byte). This bit is set regardless of the Bus error Enable bit (BE). If software is polling and wishes to disregard this error it must mask this bit out. This bit is cleared by writing '1' to it.
21	BE1	Bus Error type 1. This bit is set whenever a Slave bus transaction attempts to read a Reserved register (an entire 32-bit register, not just a Reserved bit or byte). This bit is set regardless of the Bus error Enable bit (BE). If software is polling and wishes to disregard this error it must mask this bit out. This bit is cleared by writing '1' to it.
20	FE	FIFO Error. This bit is set whenever the Receive FIFO asserts an unmasked error bit. An interrupt will be generated by this condition if the PCIRER[FEE] bit is set. The source of the error must be determined by reading the FIFO status register PCIRFSR. Also, the error condition must be cleared at the FIFO prior to clearing this Sticky bit or this flag will continue to assert. This bit is cleared by writing '1' to it.
19	SE	System error. This bit is set in response to the Receive Controller entering an illegal state. System error indicates a malfunction of the block and should not occur in normal operation. An interrupt can be generated by this condition if the PCIRER[SE] bit is set. In normal operation this should never occur. The only recovery is to assert the reset controller bit, PCIRER[RC], and clear this flag by writing '1' to it.
18	RE	Retry Error. This bit is set if Max_Retries is set to a finite value (0x01 to 0xff) and the PCI transaction has performed retries in excess of the setting. An interrupt will be generated by this condition if the PCITER[RE] bit is set. This retry counter is reset at the beginning of each packet, not at the beginning of each transaction. This bit is cleared by writing '1' to it.
17	TA	Target Abort. This bit is set if the PCI controller has issued a Target Abort (which means the addressed PCI Target has signalled an Abort). An interrupt will be generated by this condition if the PCIRER[TAE] bit is set. It is up to application software to query the Target's status register and determine the source of the error. The coherency of the Receive FIFO data and the Receive Controller's status registers (Next_Address, Bytes_Done, etc.) should remain valid. This bit is cleared by writing '1' to it.
16	IA	Initiator abort. This bit is set if the PCI controller issues an Initiator Abort. This indicates that no Target responded but further status information can be read from the PCI Configuration interface. An interrupt will be generated by this condition if the PCIRER[IAE] bit is set. The coherency of the Receive FIFO data and the Receive Controller's status registers (Next_Address, Bytes_Done, etc.) should remain valid. This bit is cleared by writing '1' to it.
15–0	—	Reserved, should be cleared.

NOTE

19.3.3.2.8 Registers 0x84A0 through 0x84BC are reserved for future use. Accesses to these registers will result in undefined behavior.

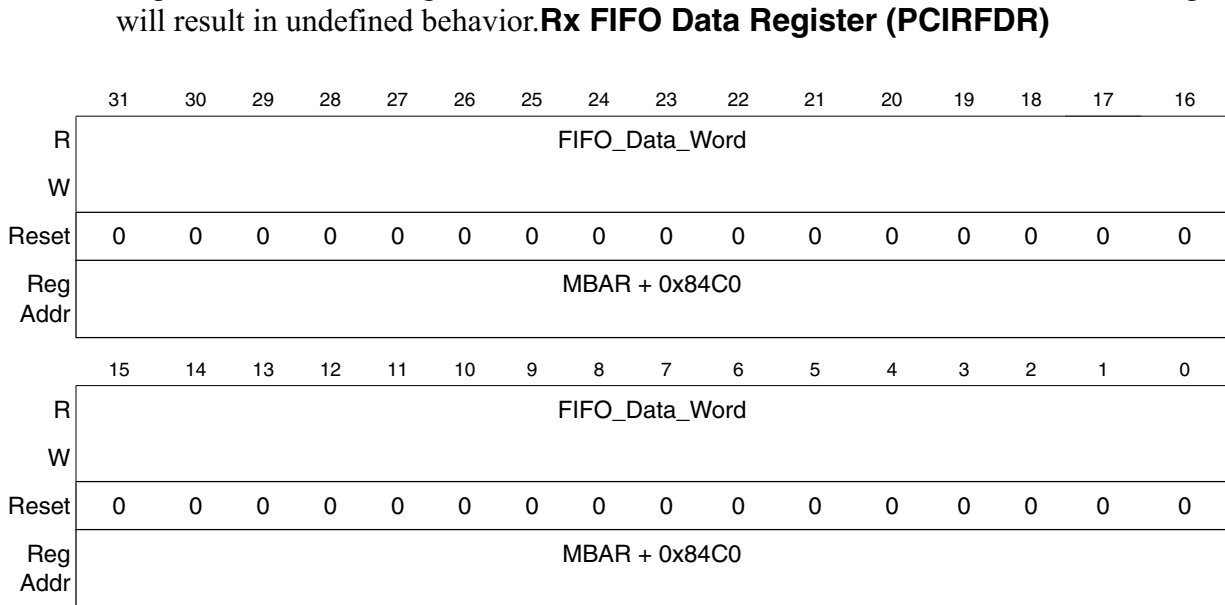


Figure 19-41. Rx FIFO Data Register (PCIRFDR)

19.3.3.2.9 Rx FIFO Status Register (PCIRFSR)

Table 19-40. PCIRFDR Field Description

Bits	Name	Description
31–0	FIFO_Data_Word	FIFO data port. —Reading from this location “pops” data from the FIFO; writing “pushes” data into the FIFO. During normal operation the Multi-Channel DMA controller pops data here. The receive controller pushes data. Therefore, user programs should not write here. Only full 32-bit accesses are allowed. If all FIFO byte enables are not asserted when accessing this location, FIFO data will be corrupted.

	31	30	29	28	27	26	25	24	23	22	21	20	19	18	17	16	
R	IP	TXW	0	0	0	0	0	0	FAE	RXW	UF	OF	FR	Full	Alar m	Empty	
W	rw ¹	rw ¹							rw ¹	rw ¹	rw ¹	rw ¹					
Reset	0	0	0	0	0	0	0	0	0	0	0	0	0	0	0	1	
Reg Addr	MBAR + 0x84C4																
	15	14	13	12	11	10	9	8	7	6	5	4	3	2	1	0	
R	0	0	0	0	0	0	0	0	0	0	0	0	0	0	0	0	
W																	
Reset	0	0	0	0	0	0	0	0	0	0	0	0	0	0	0	0	
Reg Addr	MBAR + 0x84C4																

¹ Bits 31, 30 and 23-20 are read-write-clear (rwc).

—Hardware can set rwc bits, but cannot clear them.

—Software can clear rwc bits that are currently set by writing a 1 to the bit location. Writing a 1 to a rwc bit that is currently a 0 or writing a 0 to any rwc bit has no effect.

Figure 19-42. Rx FIFO Status Register (PCIRFSR)

Table 19-41. PCIRFSR Field Descriptions

Bits	Name	Description
31	IP	Illegal Pointer. An address outside the FIFO controller's memory range has been written to one of the user visible pointers. This bit will cause the FIFO error output to assert unless the IP_MASK bit in the FIFO Controller register is set. Resetting the FIFO will clear this condition and the bit is cleared by writing a one to it.
30	TXW	Transmit Wait Condition. Since the FIFO is configured as a Receive FIFO(ie. the PCI controller only writes to this FIFO), this bit will not assert.
29–24	—	Reserved, should be cleared.
23	FAE	Frame accept error. This module does not support data framing functionality, so this bit should be ignored.
22	RXW	Receive Wait Condition. This bit indicates that the FIFO is refusing to receive data from PCI because there is not enough room in the FIFO to accept the data without causing overflow. This bit will cause the error output to assert unless the RXW_MASK bit in the FIFO Control register is set. Resetting the FIFO will clear this condition and the bit is cleared by writing a one to it.
21	UF	UnderFlow. This bit indicates that the read pointer has surpassed the write pointer. In other words the FIFO has been read beyond Empty. Resetting the FIFO will clear this condition and the flag bit is cleared by writing a one to it.
20	OF	OverFlow. This bit indicates that the write pointer has surpassed the read pointer. In other words the FIFO has been written beyond Full. Resetting the FIFO will clear this condition and the flag bit is cleared by writing a one to it.

Table 19-41. PCIRFSR Field Descriptions

Bits	Name	Description
19	FR	Frame Ready. The FIFO has a complete Frame of data ready for transmission. This module does not provide support for data framing functionality, so this bit should be ignored.
18	Full	The FIFO is Full. This is not a sticky bit or error condition. The Full indication tracks with the state of the FIFO.
17	Alarm	The FIFO is at or above the Alarm “watermark”, as set by the user according to the Alarm and Control registers settings. This is not a sticky bit or error indication.
16	Empty	The FIFO is empty. This is not a sticky bit or error condition.
15–0	—	Reserved, should be cleared.

19.3.3.2.10 Rx FIFO Control Register (PCIRFCR)

	31	30	29	28	27	26	25	24	23	22	21	20	19	18	17	16
R	0	0	WFR	0	0	GR			IP_ MASK	FAE_ MASK	RXW_ MASK	UF_ MASK	OF_ MASK	TXW_ MASK	0	0
W	[Greyed out]															
Reset	0	0	0	0	0	0	0	1	0	0	1	0	0	1	0	0
Reset	0	0	0	0	0	0	0	1	0	0	1	0	0	0	0	0
Reg Addr	MBAR + 0x84C8															
	15	14	13	12	11	10	9	8	7	6	5	4	3	2	1	0
R	0	0	0	0	0	0	0	0	0	0	0	0	0	0	0	0
W	[Greyed out]															
Reset	0	0	0	0	0	0	0	0	0	0	0	0	0	0	0	0
Reg Addr	MBAR + 0x84C8															

Figure 19-43. Rx FIFO Control Register (PCIRFCR)

Table 19-42. PCIRFCR Field Descriptions

Bits	Name	Description
31–30	—	Reserved, should be cleared.
29	WFR	Write frame. When this bit is set, the FIFO controller assumes next data transmitted is End of Frame (EOF). This module does not support Framing. This bit should remain low.
28–27	—	Reserved, should be cleared.
26–24	GR[2:0]	Granularity. Granularity bits control high “watermark” point at which FIFO negates Alarm condition (i.e., request for data). It represents the number of bytes remaining in the FIFO. A granularity setting of higher than (128 minus Alarm[11:0]) should be avoided because it means the Alarm bit (and the Requestor signal) will negate as soon as it asserts.

Table 19-42. PCIRFCR Field Descriptions (Continued)

Bits	Name	Description
23	IP_MASK	Illegal Pointer Mask. When this bit is set, the FIFO controller masks the Status register's IP bit from generating an error.
22	FAE_MASK	Frame accept error mask. When this bit is set, the FIFO controller masks the Status Register's FAE bit from generating an error.
21	RXW_MASK	Receive wait condition mask. When this bit is set, the FIFO controller masks the Status Register's RXW bit from generating an error. (To help with backward compatibility, this bit is asserted at reset.)
20	UF_MASK	Underflow mask. When this bit is set, the FIFO controller masks the Status Register's UF bit from generating an error.
19	OF_MASK	Overflow mask. When this bit is set, the FIFO controller masks the Status Register's OF bit from generating an error.
18	TXW_MASK	Transmit wait condition mask. When this bit is set, the FIFO controller masks the Status Register's TXW bit from generating an error. (To help with backward compatibility, this bit is asserted at reset.)
17-0	—	Reserved, should be cleared.

19.3.3.2.11 Rx FIFO Alarm Register (PCIRFAR)

	31	30	29	28	27	26	25	24	23	22	21	20	19	18	17	16
R	0	0	0	0	0	0	0	0	0	0	0	0	0	0	0	0
W																
Reset	0	0	0	0	0	0	0	0	0	0	0	0	0	0	0	0
Reg Addr	MBAR + 0x84CC															
	15	14	13	12	11	10	9	8	7	6	5	4	3	2	1	0
R	0	0	0	0	0	0	0	0	0	Alarm						
W																
Reset	0	0	0	0	0	0	0	0	0	0	0	0	0	0	0	0
Reg Addr	MBAR + 0x84CC															

Figure 19-44. Rx FIFO Alarm Register (PCIRFAR)

19.3.3.2.12 Rx FIFO Read Pointer Register (PCIRFRPR)

Table 19-43. PCIRFAR Field Descriptions

Bits	Name	Description
31–7	—	Reserved, should be cleared.
6–0	Alarm	<p>Bits 6-0 are programmable to control a 128-byte FIFO. User writes these bits to set the low level watermark, which is the point at which the FIFO asserts its request for data emptying to the Multi-Channel DMA controller. This value is in free bytes. For example, with Alarm = 32 (0x20), the alarm condition will occur when the FIFO has 32 or less free bytes in it. The alarm, once asserted, will not negate until the high level mark is reached, when there is GR[2:0] or less bytes remaining in the FIFO.</p> <p>Note: The Alarm setting should be programmed to a value greater than or equal to Max_Beats * 4 or else data transfer may stall. The Rx controller waits for enough space to be available in the FIFO for it to write a burst of Max_Beats * 4 bytes before it will request data from the PCI bus. For a Max_Beats value of 0(8 beats), Alarm should be programmed to 32 or greater.</p>

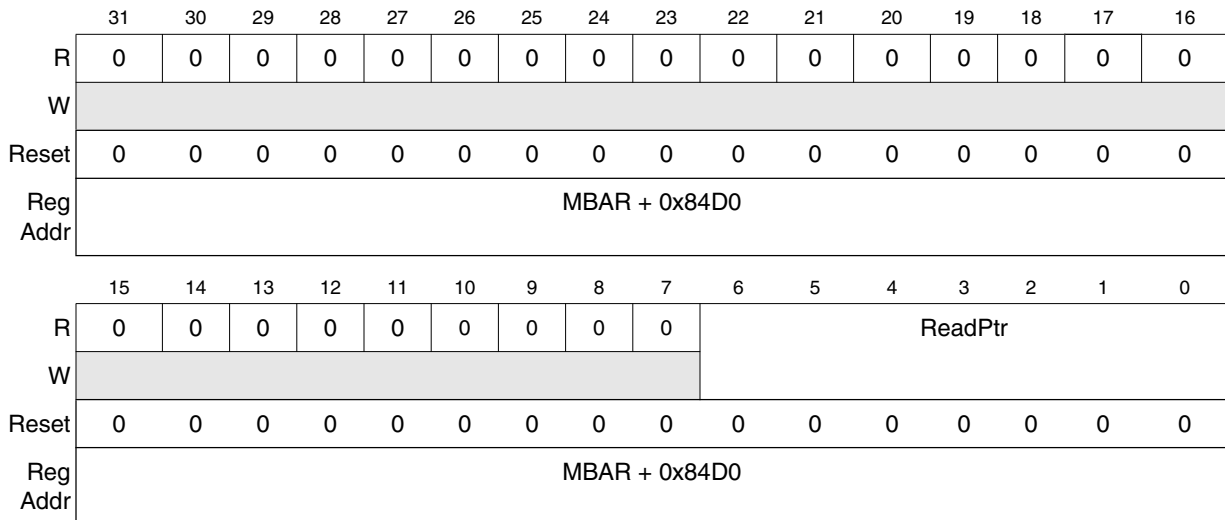


Figure 19-45. Rx FIFO Read Pointer Register (PCIRFRPR)

Table 19-44. PCIRFRPR Field Descriptions

Bits	Name	Description
31–7	—	Reserverd, should be cleared.
6–0	ReadPtr	This value is maintained by the FIFO hardware and is not normally written by the user. It can be adjusted in special cases but will disrupt the integrity of the data flow. This value represents the Read address being presented to the FIFO RAM.

19.3.3.2.13 Rx FIFO Write Pointer Register (PCIRFWPR)

	31	30	29	28	27	26	25	24	23	22	21	20	19	18	17	16
R	0	0	0	0	0	0	0	0	0	0	0	0	0	0	0	0
W																
Reset	0	0	0	0	0	0	0	0	0	0	0	0	0	0	0	0
Reg Addr	MBAR + 0x84D4															
	15	14	13	12	11	10	9	8	7	6	5	4	3	2	1	0
R	0	0	0	0	0	0	0	0	0	WritePtr						
W																
Reset	0	0	0	0	0	0	0	0	0	0	0	0	0	0	0	0
Reg Addr	MBAR + 0x84D4															

Figure 19-46. Rx FIFO Write Pointer Register (PCIRFWPR)

Table 19-45. PCIRFWPR Field Descriptions

Bits	Name	Description
31–7	—	Reserved, should be cleared.
6–0	WritePtr	This value is maintained by the FIFO hardware and is not normally written by the user. It can be adjusted in special cases but will of course disrupt the integrity of the data flow. This value represents the Write address being presented to the FIFO RAM.

19.4 Functional Description

The MCF547X PCI module provides both master and target PCI bus interfaces as shown in [Figure 19-1](#). The internal master, or initiator, interface is accessible by any XL bus master, such as the processor core, and also provides a DMA interface through the communication subsystem that can be accessed by the multichannel DMA engine. The target interface provides external PCI masters access into two memory windows of MCF547X address space. PCI arbitration is handled external to this module, by either the MCF547X internal PCI arbiter or arbitration off-chip (See “PCI Bus Arbiter Module” on page 1).

The registers, described in Section 19.3, control and provide information about multiple interfaces. An additional configuration interface allows internal access through the slave bus to the PCI Type 0 Configuration registers, which are accessible to both the MCF547X and to external masters through the PCI bus.

The following sections describe the operation of the PCI module.

19.4.1 PCI Bus Protocol

This section will provide a simple overview of the PCI bus protocol, including some details of MCF547X implementation. For details regarding PCI bus operation, refer to the *PCI Local Bus Specification, Revision 2.2*.

19.4.1.1 PCI Bus Background

The PCI interface is synchronous and is best used for bursting data in large chunks. Its maximum bandwidth approaches 266 Megabytes per second for the 32-bit implementation running at 66 MHz. A system will contain one device that is responsible for configuring all other devices on the bus upon reset. Each device has 256 bytes of configuration space that define individual requirements to the system controller. These registers are read and written through a “configuration access” command. A PCI transfer is started by the master and is directed toward a specific target. A provision is made for broadcasting to several targets through the “special command”. Data is transferred through the use of memory and I/O read and write commands.

Table 19-46. PCI Command Encodings

PCICXBE[3:0]	Command Type
0000	Interrupt Acknowledge
0001	Special Cycle
0010	I/O Read
0011	I/O Write
0100	Reserved
0101	Reserved
0110	Memory Read
0111	Memory Write
1000	Reserved
1001	Reserved
1010	Configuration Read
1011	Configuration Write
1100	Memory Read Multiple
1101	Dual Address Cycle
1110	Memory Read Line
1111	Memory Write and Invalidate

19.4.1.2 Basic Transfer Control

The basic PCI bus transfer mechanism is a burst. A burst is composed of an address phase followed by one or more data phases. Fundamentally, all PCI data transfers are controlled by three signals $\overline{\text{PCIFRAME}}$, $\overline{\text{PCIIRDY}}$, and $\overline{\text{PCITRDY}}$. An initiator asserts $\overline{\text{PCIFRAME}}$ to indicate the beginning of a PCI bus transaction and negates $\overline{\text{PCIFRAME}}$ to indicate the end of a PCI bus transaction. An initiator negates $\overline{\text{PCIIRDY}}$ to force wait cycles. A target negates $\overline{\text{PCITRDY}}$ to force wait cycles.

The PCI bus is considered idle when both $\overline{\text{PCIFRAME}}$ and $\overline{\text{PCIIRDY}}$ are negated. The first clock cycle in which $\overline{\text{PCIFRAME}}$ is asserted indicates the beginning of the address phase. The address and bus command code are transferred in that first cycle. The next cycle begins the first of one or more data phases. Data is transferred between initiator and target in each cycle that both $\overline{\text{PCIIRDY}}$ and $\overline{\text{PCITRDY}}$ are asserted. Wait cycles may be inserted in a data phase by the initiator (by negating $\overline{\text{PCIIRDY}}$) or by the target (by negating $\overline{\text{PCITRDY}}$).

Once an initiator has asserted $\overline{\text{PCIIRDY}}$, it cannot change $\overline{\text{PCIIRDY}}$ or $\overline{\text{PCIFRAME}}$ until the current data phase completes regardless of the state of $\overline{\text{PCITRDY}}$. Once a target has asserted $\overline{\text{PCITRDY}}$ or $\overline{\text{PCISTOP}}$, it cannot change $\overline{\text{DEVSEL}}$, $\overline{\text{PCITRDY}}$, or $\overline{\text{PCISTOP}}$ until the current data phase completes. In simpler terms, once an initiator or target has committed to the data transfer, it cannot back out.

When the initiator intends to complete only one more data transfer (which could be immediately after the address phase), $\overline{\text{PCIFRAME}}$ is negated and $\overline{\text{PCIIRDY}}$ is asserted (or kept asserted) indicating the initiator is ready. After the target indicates the final data transfer (by asserting $\overline{\text{PCITRDY}}$), the PCI bus may return to the idle state (both $\overline{\text{PCIFRAME}}$ and $\overline{\text{PCIIRDY}}$ are negated) unless a fast back-to-back transaction is in progress. In the case of a fast back-to-back transaction, an address phase immediately follows the last phase.

19.4.1.3 PCI Transactions

The figures in this section show the basic “memory read” and “memory write” command transactions.

Figure 19-47 shows a PCI burst read transaction (2-beat). The signal $\overline{\text{PCIFRAME}}$ is driven low to initiate the transfer. Cycle 1 is the address phase with valid address information driven on the AD bus and a PCI command driven on the $\overline{\text{PCICXBE}}$ bus. In cycle 2, the AD bus is in a turnaround cycle because of the read on a muxed bus. The byte enables, which are active low, are driven onto the $\overline{\text{PCICXBE}}$ bus in this clock. Any combination of byte enables can be asserted (none may be asserted). A target will respond to an address phase by driving the $\overline{\text{DEVSEL}}$ signal. The specification allows for four types of decode operations. The target can drive $\overline{\text{DEVSEL}}$ in 1, 2, or 3 clocks depending on whether the target is a fast, medium or slow decode device, respectively. A single device is allowed to drive $\overline{\text{DEVSEL}}$ if no other agent responds by the fourth clock. This is called “subtractive decoding” in PCI terminology. Note that the MCF547X is a medium target decode device.

A valid transfer occurs when both $\overline{\text{PCIIRDY}}$ and $\overline{\text{PCITRDY}}$ are asserted. If either are negated during a data phase, it is considered a wait state. The target asserts a wait state in cycles 3 and 5 of Figure 19-47. A master indicates that the final data phase is to occur by negating $\overline{\text{PCIFRAME}}$. In this diagram the target responds as a medium device, driving $\overline{\text{DEVSEL}}$ in cycle 3.

The final data phase occurs in cycle 6. Another agent cannot start an access until cycle 8. A provision in the specification allows the current master to start another transfer in cycle 7 when certain conditions apply. Refer to “fast back-to-back transfers” in the PCI specification for more details.

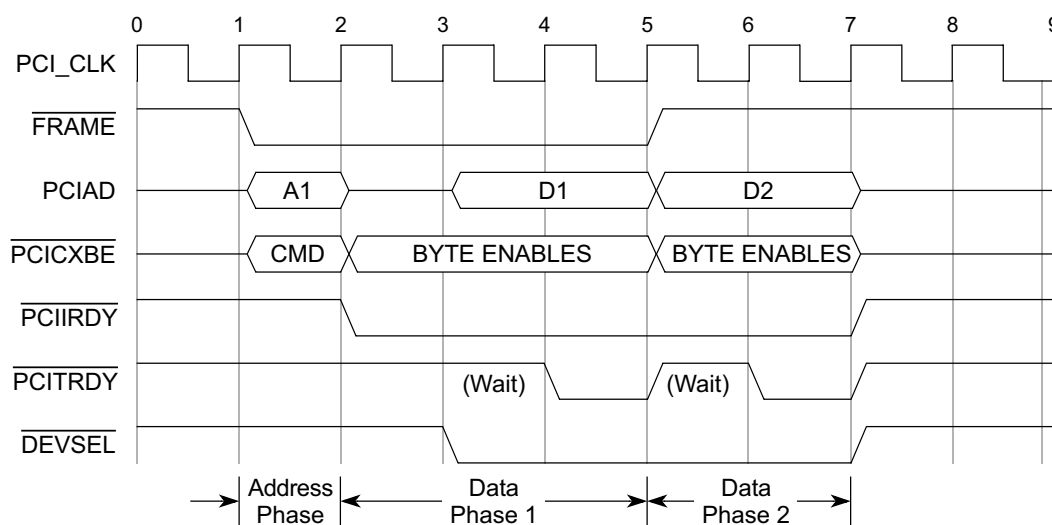


Figure 19-47. PCI Read Terminated by Master

Figure 19-48 shows a write cycle which is terminated by the target. In this diagram the target responds as a slow device, driving DEVSEL in cycle 4. The first data is transferred in cycle 4. The master inserts a wait state at cycle 5. The target indicates that it can accept only one more transfer by asserting both PCITRDY and PCISTOP at the same time in cycle 5. The signal PCISTOP must remain asserted until PCIFRAME negates. The final data phase does not have to transfer data. If PCISTOP and PCIIRDY are both asserted while PCITRDY is negated, it is considered a target disconnect without a transfer. See the PCI specification for more details.

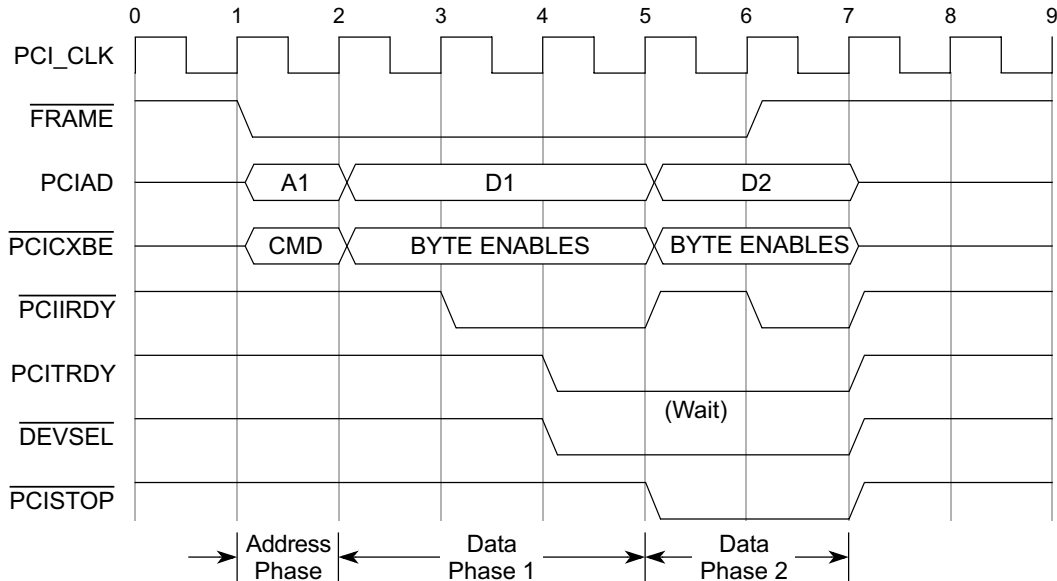


Figure 19-48. PCI Write Terminated by Target

19.4.1.4 PCI Bus Commands

PCI supports a number of different commands. These commands are presented by the initiator on the PCICXBE[3:0] lines during the address phase of a PCI transaction.

Table 19-47. PCI Bus Commands

PCICXBE[3:0]	PCI Bus Command	MCF547X Supports as Initiator	MCF547X Supports as Target	Definition
0000	Interrupt Acknowledge	Yes	No	The interrupt acknowledge command is a read (implicitly addressing an external interrupt controller). Only one device on the PCI bus should respond to the interrupt acknowledge command.
0001	Special Cycle	Yes	No	The Special Cycle command provides a mechanism to broadcast select messages to all devices on the PCI bus.
0010	I/O read	Yes	No	The I/O read command accesses agents mapped into the PCI I/O space.
0011	I/O write	Yes	No	The I/O write command accesses agents mapped into the PCI I/O space.
0100	Reserved	No	No	—

Table 19-47. PCI Bus Commands

PCICXBE[3:0]]	PCI Bus Command	MCF547X Supports as Initiator	MCF547X Supports as Target	Definition
0101	Reserved	No	No	—
0110	Memory-read	Yes	Yes	The memory read command accesses agents mapped into PCI memory space.
0111	Memory-write	Yes	Yes	The memory write command accesses agents mapped into PCI memory space.
1000	Reserved	No	No	—
1001	Reserved	No	No	—
1010	Configuration read	Yes	Yes	The configuration read command accesses the 256 byte configuration space of a PCI agent.
1011	Configuration write	Yes	Yes	The configuration read command accesses the 256 byte configuration space of a PCI agent.
1100	Memory read multiple	Yes	Yes	For MCF547X, as master the memory read multiple command functions the same as the memory read command. . Cache line wrap is implemented if XL bus is the transaction initiator and also wraps.
1101	Dual address cycle	No	No	The dual address cycle command is used to transfer a 64-bit address (in two 32-bit address cycles) to 64-bit addressable devices. MCF547X device does not respond to this command.
1110	Memory read line	Yes	Yes	The memory read line command indicates that an initiator is requesting the transfer of an entire cache line. For MCF547X, the memory read line functions the same as the memory read command. Cache line wrap is not implemented.
1111	Memory write and invalidate	Yes (DMA access only)	Yes	The memory write and invalidate command indicates that an initiator is transferring an entire cache line, and, if this data is in any cacheable memory, that cache line needs to be invalidated. The memory write and invalidate functions the same as the memory write command. Cache line wrap is not implemented.

Though MCF547X supports many PCI commands as an initiator, the communication subsystem initiator interface is intended to use PCI memory read and memory write commands.

19.4.1.5 Addressing

PCI defines three physical address spaces: PCI memory space, PCI I/O space, and PCI configuration space. Address decoding on the PCI bus is performed by every device for every PCI transaction. Each agent is responsible for decoding its own address. The PCI specification supports two types of address decoding: positive decoding and subtractive decoding (refer to [Section 19.4.1.5.4, “Address Decoding”](#)). The address space that is accessed depends primarily on the type of PCI command that is used.

19.4.1.5.1 Memory Space Addressing

For memory accesses, PCI defines two types of burst ordering controlled by the two low-order bits of the address: linear incrementing (AD[1:0] = 0b00) and cache wrap mode (AD[1:0] = 0b10). The other two AD[1:0] encodings (0b01 and 0b11) are reserved.

For linear incrementing mode, the memory address is encoded/decoded using PCIAD[31:2]. Thereafter, the address is incremented by 4 bytes after each data phase completes until the transaction is terminated or completed (a 4 byte data width per data phase is implied). Note, the two low-order bits of the address are still included in all the parity calculations.

As an initiator, the MCF547X supports both linear incrementing and cache wrap mode. For memory transactions, when an XL bus burst transaction is wrapped, the cache wrap mode is automatically generated. For zero-word-aligned bursts and single-beat transactions, the MCF547X drives AD[1:0] to 0b00.

As a target, the MCF547X treats cache wrap mode as a reserved memory mode when the cache line size register is programmed zero. The MCF547X will return the first beat of data and then signal a disconnect without data on the second data phase.

19.4.1.5.2 I/O Space Addressing

For PCI I/O accesses, all 32 address signals are used to provide an address with granularity of a single byte. Once a target has claimed an I/O access, it must determine if it can complete the entire access as indicated by the byte enable signals. If all the selected bytes are not in the address range of the target, the entire access cannot complete. In this case, the target does not transfer any data, and terminates the transaction with a target-abort.

Table 19-48. PCI I/O Space Byte Decoding

Access Size	PCIAD[1:0]	PCICXBE[3:0]	Data
8-bit	00	xxx0	AD[7:0]
	01	xx01	AD[15:8]
	10	x011	AD[23:16]
	11	0111	AD[31:24]
16-bit	00	xxx0	AD[15:0]
	01	xx01	AD[23:8]
	10	x011	AD[31:16]
24-bit	00	xxx0	AD[23:0]
	01	xx01	AD[31:8]
32-bit	00	xxx0	AD[31:0]

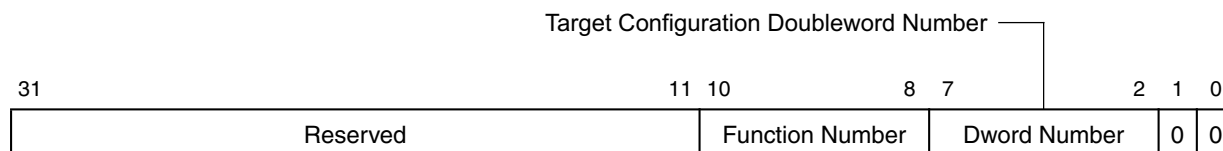
19.4.1.5.3 Configuration Space Addressing and Transactions

PCI supports two types of configuration accesses. Their primary difference is the format of the address on the PCIAD[31:0] signals during the address phase.

The two low-order bits of the address indicate the format used for the configuration address phase: type 0 ($AD[1:0] = 0b00$) or type 1 ($AD[1:0] = 0b01$). Both address formats identify a specific device and a specific configuration register for that device:

- Type 0 configuration accesses are used to select a device on the local PCI bus. They do not propagate beyond the local PCI bus and are either claimed by a local device or terminated with a master-abort.
- Type 1 configuration accesses are used to target a device on a subordinate bus through a PCI-to-PCI bridge, see [Figure 19-51](#). Type 1 accesses are ignored by all targets except PCI-to-PCI bridges that pass the configuration request to another PCI bus.

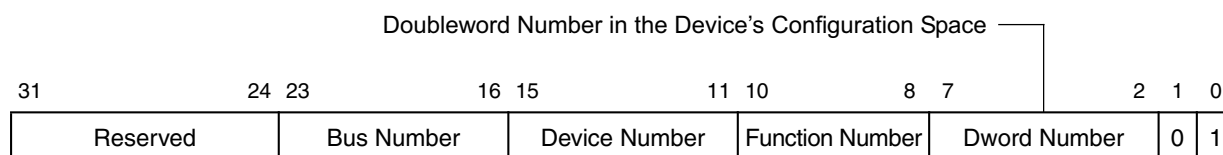
When the controller initiates a configuration access on the PCI bus, it places the configuration address information on the AD bus and the configuration command on the PCICXBE[3:0] bus. A Type 0 configuration transaction is indicated by setting $AD[1:0]$ to $0b00$ during the address phase. The bit pattern tells the community of devices on the PCI bus that the bridge that “owns” the PCI bus has already performed the bus number comparison and verified that the request targets a device on its bus. [Figure 19-49](#) shows the contents of the AD bus during the address phase of the Type 0 configuration access.



**Figure 19-49. Type 0 Configuration Transaction:
Contents of the AD Bus During Address Phase**

Address bits [10:8] identify the target function and bits $AD[7:2]$ select one of the 64 configuration Dwords within the target function’s configuration space. For Type 0 configuration transactions, the target device’s IDSEL pin must be asserted. The upper 21 address lines are commonly used as IDSELs since they are not used during the address phase of a type 0 configuration transaction.

For a Type 1 access where the target bus is a bus that is subordinate to the local PCI bus (bus 0), the configuration transaction is still initiated on bus 0, but the bit pattern $AD[1:0]$ indicates that none of the devices on this bus are the target of the transaction. Rather, only PCI-to-PCI bridges residing on the local bus should pay attention to the transaction because it targets a device on a bus further out in the hierarchy beyond a PCI-to-PCI bridge that is attached to the local PCI bus (bus 0). This is accomplished by initiating a Type 1 configuration transaction (setting $AD[1:0]$ to $0b01$ during the address phase). This pattern instructs all functions other than PCI-to-PCI bridges that the transaction is not for any of them. [Figure 19-50](#) illustrates the contents of the AD bus during the address phase of the Type 1 configuration access.



**Figure 19-50. Type 1 Configuration Transaction:
Contents of the AD Bus During Address Phase**

During the address phase of a Type 1 configuration access, the information on the AD bus is formatted as follows:

- PCIAD[1:0] contains 0b01, identifying this as a Type 1 configuration access.
- PCIAD[7:2] identifies one of 64 configuration Dwords within the target devices's configuration space.
- PCIAD[10:8] identifies one of the eight functions within the target physical device.
- PCIAD[15:11] identifies one of 32 physical devices. This field is used by the bridge to select which device's IDSEL line to assert.
- PCIAD[23:16] identifies one of 256 PCI buses in the system.
- PCIAD[31:24] are reserved and are cleared to zero.

During a Type 1 configuration access, PCI devices ignore the state of their IDSEL inputs; PCI devices only respond to Type 0 accesses. When any PCI-to-PCI bridge latches a Type 1 configuration access (command = configuration read or write and AD[1:0] = 0b01) on its primary side, it must determine whether the bus number field on the AD bus matches the number of its secondary bus or if the field is within the range of its subordinate buses. If the bus number matches, it should claim and pass the configuration access onto its secondary bus as a Type 0 configuration access, decoding the device number to select one of the IDSEL lines. If the bus number is not equal to its secondary bus, but is within the range of buses that are subordinate to the bridge, the bridge claims and passes that access through as a Type 1 access.

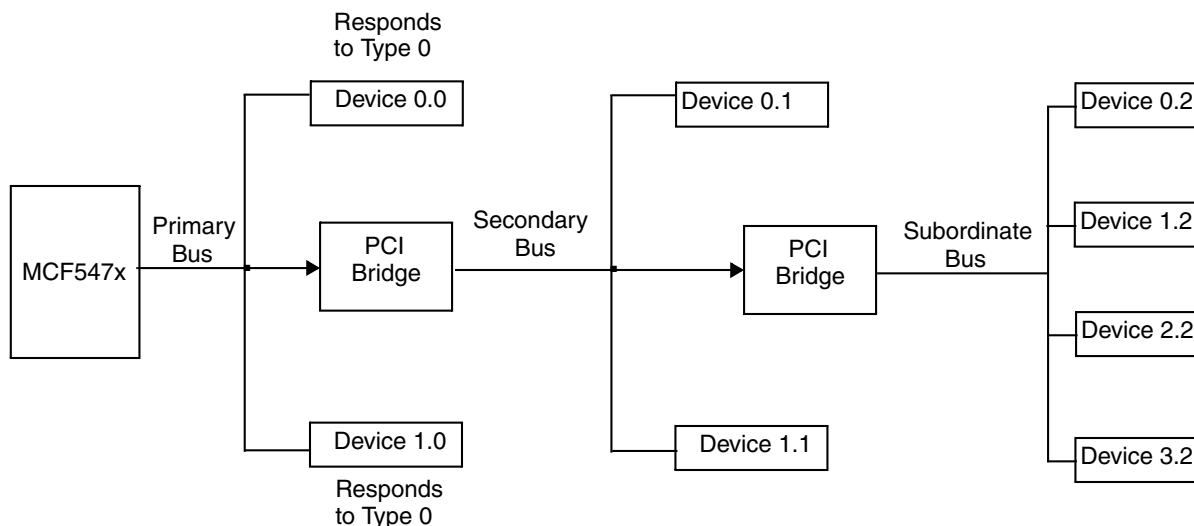


Figure 19-51. PCI-to-PCI Bridge Determining Match to Secondary or Subordinate Bus

19.4.1.5.4 Address Decoding

For positive address decoding, an address hits when the address on the address bus matches an assigned address range. Multiple devices on the same PCI bus may use positive address decoding, though there cannot be any overlap in the assigned address ranges. The MCF547X only implements positive address decoding.

For subtractive address decoding, an address hits when the address on the address bus does not match any address range for any of the PCI devices on the bus. Only one device on a PCI bus may use subtractive address decoding, and its use is optional.

19.4.2 Initiator Arbitration

There are three possible internal initiator sources: comm bus transmit, comm bus receive, or the XL bus (from the internal system arbiter). Custom interface logic arbitrates and provides multiplex selection control for these sources to the PCI controller. Figure 19-52 illustrates the arbitration block connection.

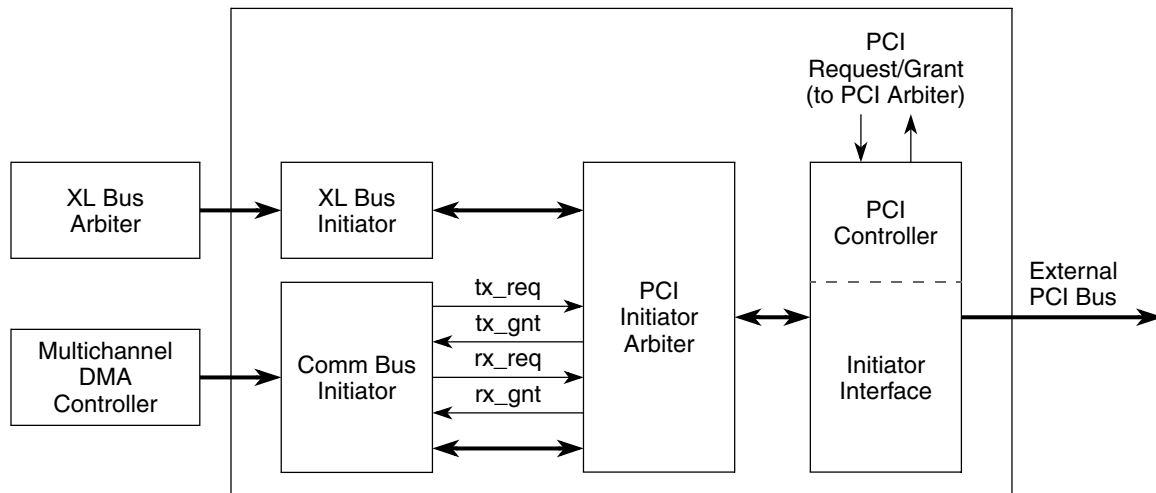


Figure 19-52. Initiator Arbitration Block Diagram

19.4.2.1 Priority Scheme

The PCI initiator arbiter uses the following fixed priority scheme:

1. XL bus initiator
2. Comm bus transmit (Tx)
3. Comm bus receive (Rx) (lowest)

19.4.3 Configuration Interface

The PCI bus protocol requires the implementation of a standardized set of registers for most devices on the PCI bus. The MCF547X implements a Type 0 Configuration register set or header. These registers, discussed in Section 19.3.1, are primarily intended to be read or written by the PCI configuring master at initialization time through the PCI bus. The MCF547X provides internal access to these registers through a slave bus interface. As with most MCF547X registers, they are accessible by software in the address space at offsets of MBAR. Internal accesses to the Type 0 Configuration header do not require PCI arbitration when they are accessed as offsets of MBAR and are allowed to execute regardless of whether any write data is posted in the PCI Controller.

If the MCF547X is the configuring master, the slave bus interface should be used to configure the PCI Controller. An external master would configure the PCI controller through the external PCI bus.

More information on the standard PCI Configuration register can be found in the PCI 2.2 specification.

19.4.4 XL Bus Initiator Interface

The processor core or internal masters may access the PCI bus via the XL bus initiator interface. This internal interface is accessed through three windows in MCF547X address space set up by base address

and base address mask registers (Initiator Window 0 Base/Translation Address Register (PCIIW0BTAR)). .. The base address registers must be enabled by setting their respective enable bits in the Initiator Window Configuration Register (PCIIWCR). Accesses to this area are translated into PCI transactions on the PCI bus. See [Section 19.5.2, “Address Maps”](#) for examples on setting up address windows.

The particular type of PCI transaction generated is determined by the PCI configuration bits associated with the address window (PCIIWCR). For example, the user might set one window to do PCI memory read multiple accesses, one window for PCI I/O accesses, and the other window to do non-prefetchable (memory-mapped I/O) PCI memory accesses. See Table 19-57 for command translations.

In addition to the configurable address window mapping logic, the register interface provides a configuration address register, which provides the ability to generate configuration, interrupt acknowledge, and special cycles. External PCI devices should be configured through this interface. See [Section 19.4.4.2, “Configuration Mechanism”](#) for configuration, interrupt acknowledge, and special cycle command support.

The PCI XL bus initiator interface supports all XL bus transactions, including single-beat transfers and bursts (32 bytes). Single-beat 64-bit data transactions are automatically translated into 2-beat burst transfers on the PCI bus. Standard XL bus burst transactions are supported as well, however, buffering is implemented to boost performance during writes and avoid deadlock scenario for all reads and memory writes. If the target for an XL bus read from PCI disconnects part way through the burst, the MCF547X may have to handle a local memory access from an alternate PCI master before the disconnected transfer can continue.

XL bus initiator read requests are decoded into four types: PCI Memory, I/O, Configuration, and Interrupt Acknowledge. The PCI Controller must first gain access to the PCI bus before acknowledging the XL bus read request. The specific timing of the address acknowledge is dependent upon the type of transfer.

When the XL bus requests burst data from PCI space, the data received from PCI is stored in a 32-byte read buffer. The PCI Controller does not terminate the address tenure (by asserting the address acknowledge signal) of the XL bus transaction until all requested data is latched. This is because PCI targets are allowed to disconnect in the middle of a transfer, and the XL bus requires burst transfers to be atomic. If the PCI target disconnects in the middle of the data transfer and an alternate PCI master acquires the bus and initiates a local memory access, the Controller retries the internal read transaction on the XL bus. The PCI Controller continues to request mastership of the PCI bus until the original request is completed.

For example, if the XL bus initiates a burst read, and the PCI target disconnects after transferring the first half of the burst, the MCF547X re-arbitrates for the PCI bus, and when granted, initiates a new transaction with the address of the third beat of the burst (4-beat XL bus bursts). If an alternate PCI master requests data from local memory while the PCI Controller is waiting for the PCI bus grant, the PCI controller retries the XL bus transaction to allow the PCI-initiated transaction to complete and the read buffer will be emptied. Transactions are not reordered, but taken first come, first served.

When the MCF547X is acting as in initiator/master, PCI critical-word-first (CWF) burst operation (i.e. cache line wrap burst) is supported, and the 2-bit cache line wrap address mode is driven on the address bus when the XL bus starts the burst at a non-zero-word-first address. Note that this option is only provided as a means for the initiator to support memory targets that support cache-line wrap. The processor is not permitted to cache from memory targets residing on the PCI bus in the 2.2 spec.

XL bus writes are decoded into PCI memory, PCI I/O, PCI configuration, or special cycles. If the transaction decodes into an I/O, configuration, or special cycle, the write is connected. The PCI controller gains access to the PCI bus and successfully transfers the data before it asserts address acknowledge to the XL bus. If the address maps to PCI memory space, the XL bus address tenure is immediately acknowledged and write data is posted.

A 32-byte write buffer is used to post memory writes from XL bus to PCI. Buffering minimizes the effect of the slower PCI bus on the higher-speed XL bus. It may contain single-beat XL bus write transactions or a single burst. After the XL bus write data is latched internally, the bus is available for subsequent transactions without having to wait for the write to the PCI target to complete. If a subsequent XL bus write request to the PCI bus comes in, the data transfer is delayed until all previous writes to the PCI bus are completed. Only when the write buffer is empty can burst data from the XL bus be posted.

19.4.4.1 Endian Translation

The PCI bus is inherently little endian in its byte ordering. The internal XL bus, however, is big endian. XL bus transactions are limited to 1, 2, 3, 4, 5, 6, 7, 8, or 32 byte (burst) transactions within the data bus byte lanes on any 32-bit address boundary for burst transfers. [Table 19-49](#) shows the byte lane mapping between the two buses.

Table 19-49. XL Bus to PCI Byte Lanes for Memory¹ Transactions

XL Bus										PCI Bus					
A[29:31]	TSIZ[0:2]	Data Bus Byte Lanes								AD[2:0]	BE[3:0]	31:24	23:16	15:8	7:0
		0	1	2	3	4	5	6	7						
000	001	OP7	—	—	—	—	—	—	—	000	1110	—	—	—	OP7
001	001	—	OP7	—	—	—	—	—	—	000	1101	—	—	OP7	—
010	001	—	—	OP7	—	—	—	—	—	000	1011	—	OP7	—	—
011	001	—	—	—	OP7	—	—	—	—	000	0111	OP7	—	—	—
100	001	—	—	—	—	OP7	—	—	—	100	1110	—	—	—	OP7
101	001	—	—	—	—	—	OP7	—	—	100	1101	—	—	OP7	—
110	001	—	—	—	—	—	—	OP7	—	100	1011	—	OP7	—	—
111	001	—	—	—	—	—	—	—	OP7	100	0111	OP7	—	—	—
000	010	OP6	OP7	—	—	—	—	—	—	000	1100	—	—	OP7	OP6
001	010	—	OP6	OP7	—	—	—	—	—	000	1001	—	OP7	OP6	—
010	010	—	—	OP6	OP7	—	—	—	—	000	0011	OP7	OP6	—	—
011	010	—	—	—	OP6	OP7	—	—	—	000	0111	OP6	—	—	—
										100	1110	—	—	—	OP7
100	010	—	—	—	—	OP6	OP7	—	—	100	1100	—	—	OP7	OP6
101	010	—	—	—	—	—	OP6	OP7	—	100	1001	—	OP7	OP6	—
110	010	—	—	—	—	—	—	OP6	OP7	100	0011	OP7	OP6	—	—
000	011	OP5	OP6	OP7	—	—	—	—	—	000	1000	—	OP7	OP6	OP5
001	011	—	OP5	OP6	OP7	—	—	—	—	000	0001	OP7	OP6	OP5	—
010	011	—	—	OP5	OP6	OP7	—	—	—	000	0011	OP6	OP5	—	—
										100	1110	—	—	—	OP7

Table 19-49. XL Bus to PCI Byte Lanes for Memory¹ Transactions (Continued)

XL Bus										PCI Bus					
A[29:31]	TSIZ[0:2]	Data Bus Byte Lanes								AD[2:0]	BE[3:0]	31:24	23:16	15:8	7:0
		0	1	2	3	4	5	6	7						
011	011	—	—	—	OP5	OP6	OP7	—	—	000	0111	OP5	—	—	—
		—	—	—	—	—	—	—	—	100	1100	—	—	OP7	OP6
100	011	—	—	—	—	OP5	OP6	OP7	—	100	1000	—	OP7	OP6	OP5
101	011	—	—	—	—	—	OP5	OP6	OP7	00	0001	OP7	OP6	OP5	—
000	100	OP4	OP5	OP6	OP7	—	—	—	—	00	0000	OP7	OP6	OP5	OP4
001	100	—	OP4	OP5	OP6	OP7	—	—	—	000	0001	OP6	OP5	OP4	—
		—	—	—	—	—	—	—	—	100	1110	—	—	—	OP7
010	100	—	—	OP4	OP5	OP6	OP7	—	—	000	0011	OP5	OP4	—	—
		—	—	—	—	—	—	—	—	100	1100	—	—	OP7	OP6
011	100	—	—	—	OP4	OP5	OP6	OP7	—	000	0111	OP4	—	—	—
		—	—	—	—	—	—	—	—	100	1000	—	OP7	OP6	OP5
100	100	—	—	—	—	OP4	OP5	OP6	OP7	100	0000	OP7	OP6	OP5	OP4
000	101	OP3	OP4	OP5	OP6	OP7	—	—	—	000	0000	OP6	OP5	OP4	OP3
		—	—	—	—	—	—	—	—	100	1110	—	—	—	OP7
001	101	—	OP3	OP4	OP5	OP6	OP7	—	—	000	0001	OP5	OP4	OP3	—
		—	—	—	—	—	—	—	—	100	1100	—	—	OP7	OP6
010	101	—	—	OP3	OP4	OP5	OP6	OP7	—	000	0011	OP4	OP3	—	—
		—	—	—	—	—	—	—	—	100	1000	—	OP7	OP6	OP5
011	101	—	—	—	OP3	OP4	OP5	OP6	OP7	000	0111	OP3	—	—	—
		—	—	—	—	—	—	—	—	100	0000	OP7	OP6	OP5	OP4
000	110	OP2	OP3	OP4	OP5	OP6	OP7	—	—	000	0000	OP5	OP4	OP3	OP2
		—	—	—	—	—	—	—	—	100	1100	—	—	OP7	OP6
001	110	—	OP2	OP3	OP4	OP5	OP6	OP7	—	000	0001	OP4	OP3	OP2	—
		—	—	—	—	—	—	—	—	100	1000	—	OP7	OP6	OP5
010	110	—	—	OP2	OP3	OP4	OP5	OP6	OP7	000	0011	OP3	OP2	—	—
		—	—	—	—	—	—	—	—	100	0000	OP7	OP6	OP5	OP4
000	111	OP1	OP2	OP3	OP4	OP5	OP6	OP7	—	000	0000	OP4	OP3	OP2	OP1
		—	—	—	—	—	—	—	—	100	1000	—	OP7	OP6	OP5
001	111	—	OP1	OP2	OP3	OP4	OP5	OP6	OP7	000	0001	OP3	OP2	OP1	—
		—	—	—	—	—	—	—	—	100	0000	OP7	OP6	OP5	OP4

Table 19-49. XL Bus to PCI Byte Lanes for Memory¹ Transactions (Continued)

XL Bus										PCI Bus					
A[29:31]	TSIZ[0:2]	Data Bus Byte Lanes								AD[2:0]	BE[3:0]	31:24	23:16	15:8	7:0
		0	1	2	3	4	5	6	7						
000	000	OP0	OP1	OP2	OP3	OP4	OP5	OP6	OP7	000	0000	OP3	OP2	OP1	OP0
										100	0000	OP7	OP6	OP5	OP4

¹ The byte lane translation will be similar for other types of transactions. However, the PCI address may be different as explained in Section 19.4.1.5.

19.4.4.2 Configuration Mechanism

In order to support both Type 0 and Type 1 configuration transactions, the MCF547X provides the 32 bit configuration address register (PCICAR). The register specifies the target PCI bus, device, function, and configuration register to be accessed. A read or a write to the MCF547X window defined as PCI I/O space, in PCIIWCR, causes the host bridge to translate the access into a PCI configuration cycle if the enable bit in the configuration address register is set and the device number does not equal 0b1_1111. For space to be defined as I/O space, the accessed space (one of the initiator windows) must be programmed as I/O, not memory. See Section 19.3.2.8, “Initiator Window Configuration Register (PCIIWCR)”.

The format of the configuration address register is shown in Section 19.3.2.11, “Configuration Address Register (PCICAR)”. When the MCF547X detects an access to an I/O window, it checks the enable flag and the device number in the configuration address register. If the enable bit is set, and the device number is not 0b1_1111, the MCF547X performs a configuration cycle translation function and runs a configuration read or configuration write transaction on the PCI bus. The device number 0b1_1111 is used for performing interrupt acknowledge and special cycle transactions. See Section 19.4.4.3 and Section 19.4.4.4 for more information. If the bus number corresponds to the local PCI bus (bus number = 0x00), a Type 0 configuration cycle transaction is performed. If the bus number indicates a remote PCI bus, the MCF547X performs a Type 1 configuration cycle translation. If the enable bit is not set, the access to the configuration window is passed through to the PCI bus as an I/O transfer (window translation applies).

Note that the PCI data byte enables ($\overline{\text{PCICXBE}}[3:0]$) are determined by the size access to the window.

19.4.4.2.1 Type 0 Configuration Translation

Figure 19-53 shows the Type 0 translation function performed on the contents of the configuration address register to the AD[31:0] signals on the PCI bus during the address phase of the configuration cycle (this only applies when the enable bit in the configuration address register is set).

Contents of Configuration Address Register:

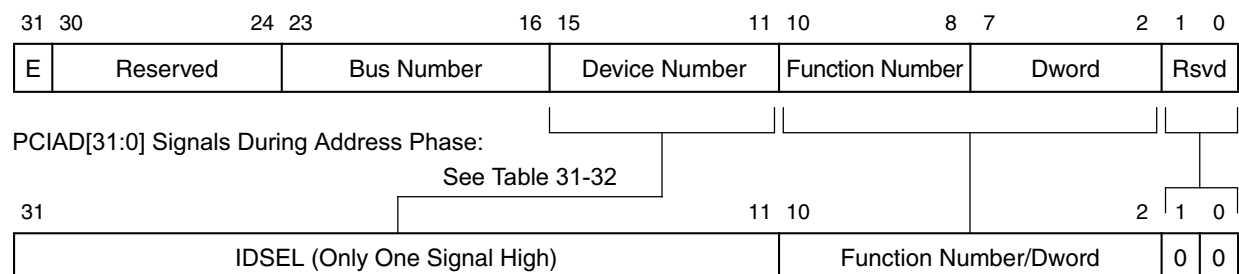


Figure 19-53. Type 0 Configuration Translation

For Type 0 configuration cycles, the MCF547X translates the device number field of the configuration address register into a unique IDSEL line shown in Table 19-50. It allows for 21 different devices.

Table 19-50. Type 0 Configuration Device Number to IDSEL Translation

Device Number		IDSEL
Binary	Decimal	
0b0_0000-0b0_1001 ¹	0–9	-
0b0_1010	10	AD31
0b0_1011	11	AD11
0b0_1100	12	AD12
0b0_1101	13	AD13
0b0_1110	14	AD14
0b0_1111	15	AD15
0b1_0000	16	AD16
0b1_0001	17	AD17
0b1_0010	18	AD18
0b1_0011	19	AD19
0b1_0100	20	AD20
0b1_0101	21	AD21
0b1_0110	22	AD22
0b1_0111	23	AD23
0b1_1000	24	AD24
0b1_1001	25	AD25
0b1_1010	26	AD26
0b1_1011	27	AD27
0b1_1100	28	AD28
0b1_1101	29	AD29
0b1_1110	30	AD30
0b1_1111	31	-

¹ Device numbers 0b0_0000 to 0b0_1001 are reserved. Programming to these values and issuing a configuration transaction will result in a PCI configuration cycle with AD31-AD11 driven low.

The MCF547X can issue PCI configuration transactions to itself. A Type 0 configuration initiated by the MCF547X can access its own configuration space by asserting its IDSEL input signal.

NOTE

Asserting IDSEL is the only way the MCF547X can clear its own status register (PCISCR) bits (read-write-clear).

For Type 0 translations, the function number and Dword fields are copied without modification onto the AD[10:2] signals, and AD[1:0] are driven low during the address phase.

19.4.4.2 Type 1 Configuration Translation

For Type 1 translations, the 30 high-order bits of the configuration address register are copied without modification onto the AD[31:2] signals during the address phase. The AD[1:0] signals are driven to 0b01 during the address phase to indicate a Type 1 configuration cycle.

19.4.4.3 Interrupt Acknowledge Transactions

When the MCF547X detects a read from an I/O defined window (Section 19.3.2.8), it checks the enable flag, bus number, and the device number in the configuration address register (Section 19.3.2.11). If the enable bit is set, the bus number corresponds to the local PCI bus (bus number = 0x00), and the device number is all 1's (device number = 0b1_1111), then an interrupt acknowledge transaction is initiated. If the bus number indicates a subordinate PCI bus (bus number != 0x00), a Type 1 configuration cycle is initiated, similar to any other configuration cycle for which the bus number does not match. The function number and Dword values are ignored.

The interrupt acknowledge command (0b0000) is driven on the $\overline{\text{PCICXBE}}[3:0]$ signals and the address bus is driven with a stable pattern during the address phase, but a valid address is not driven. The address of the target device during an interrupt acknowledge is implicit in the command type. Only the system interrupt controller on the PCI bus should respond to the interrupt acknowledge and return the interrupt vector on the data bus during the data phase. The size of the interrupt vector returned is indicated by the value driven on the $\overline{\text{PCICXBE}}[3:0]$ signals.

19.4.4.4 Special Cycle Transactions

When the MCF547X detects a write to an I/O defined window (Section 19.3.2.8), it checks the enable flag, bus number, and the device number in the configuration address register (Section 19.3.2.11). If the enable bit is set, the bus number corresponds to the local PCI bus (bus number = 0x00), and the device number is all 1's (device number = 0b1_1111), then a Special Cycle transaction is initiated. If the bus number indicates a subordinate PCI bus (where the bus number field is not 0x00), a Type 1 configuration cycle is initiated, similar to any other configuration cycle for which the bus number does not match. The function number and Dword values are ignored.

The Special Cycle command (0b0001) is driven on the $\overline{\text{PCICXBE}}[3:0]$ signals and the address bus is driven with a stable pattern during the address phase, but contains no valid address information. The Special Cycle command contains no explicit destination address, but broadcast to all agents on the same bus segment. Each receiving agent must determine whether the message is applicable to it. PCI agent will never assert DEVSEL in response to a Special Cycle command. Master Abort is the normal termination for a Special Cycle and no errors are reported for this case of Master Abort termination. This command is basically a broadcast to all agents, and interested agents accept the command and process the request.

Note, Special Cycle commands do not cross PCI-to-PCI bridges. If a master wants to generate a Special Cycle command on a specific bus in the hierarchy that is not its local bus, it must use a Type 1 configuration write command to do so. Type 1 configuration write commands can traverse PCI-to-PCI bridges in both directions for the purpose of generating Special Cycle commands on any bus in the hierarchy and are restricted to a single data phase in length. However, the master must know the specific bus on which it desires to generate the Special Cycle command and cannot simply do a broadcast to one bus and expect it to propagate to all buses.

During the data phase, PCIAD[31:0] contain the Special Cycle message and an optional data field. The Special Cycle message is encoded on the 16 least significant bits (PCIAD[15:0]) and the optional data field

is encoded on the most significant bits (PCIAD[31:16]). The Special Cycle message encodings are assigned by the PCI SIG Steering Committee. The current list of defined encodings are provided in Table 19-51.

Table 19-51. Special Cycle Message Encodings

PCIAD[15:0]	Message
0x0000	SHUTDOWN
0x0001	HALT
0x0002	x86 architecture-specific
0x0003–0xFFFF	—

19.4.4.5 Transaction Termination

If the PCI cycle Master Aborts, the interface will return 0xFFFF FFFF as read data, but complete without error. It will issue an interrupt to the internal interrupt controller if enabled.

For abnormal transaction termination during an XL bus-initiated transaction (retry limit reached or target abort), an error (TEA on XL bus) is generated. It will issue an interrupt to the MCF547X interrupt controller if such interrupts are enabled.

Transfers that cross the 32-bit boundary (greater than 4 bytes) to a PCI nonmemory address range result in a transfer error (TEA on XL bus).. The space is defined as nonmemory if the IO/M# configuration bit associated with that window is programmed “0”. This type of unsupported transfer does not cause an interrupt.

Table 19-52. Unsupported XL Bus Transfers

XL Bus Transaction	PCI Address Space
Burst (32-byte)	Nonmemory
> 4 byte Single Beat	Nonmemory
4 byte Single Beat at a[29:31] 001, 010, or 011	Nonmemory
3 byte Single Beat at a[29:31] 010 or 011	Nonmemory
2 byte Single Beat at a[29:31] 011	Nonmemory

19.4.5 XL Bus Target Interface

This section discusses the MCF547X as a PCI target, and as such, the following apply:

- The target interface can issue target abort, target retry, and target disconnect terminations.
- The target interface supports fast back-to-back cycles.
- No support of dual address cycles as a PCI target.
- Target transactions are not snooped by the processor.
- Medium device selection timing only.
- Three 32-byte buffers enhance data throughput.

The XL bus Target Interface provides access for external PCI masters to two windows of MCF547X address space. Target Base Address Translation Registers 0 and 1 allow the user to map PCI address hits

on MCF547X PCI Base Address Registers to areas in the internal address space. All of these registers must be enabled for this interface to operate.

Upon detection of a PCI address phase, the PCI controller decodes the address and bus command to determine if the transaction is for local memory (BAR0 or BAR1 hit). If the transaction falls within MCF547X PCI space (memory only), the PCI Controller target interface asserts DEVSEL, latches the address, decodes the PCI bus command, and forwards them to the internal control unit. On writes, data is forwarded along with the byte enables to the internal gasket. On reads, four bytes of data are provided to the PCI bus and the byte enables determine which byte lanes contain meaningful data. If no byte enables are asserted, MCF547X completes a read access with valid data and completes a write access by discarding the data internally. All target transactions will be translated into XL bus master transactions.

There are two address translation registers that must be initialized before data transfer can begin. These address registers correspond to BAR0 and BAR1 in MCF547X PCI Type 00h Configuration space register (PCI space). When there is a hit on MCF547X PCI base address ranges (0 or 1), the upper bits of the address are written over by this register value to address some space in MCF547X. One 256-Kbyte base address range (BAR0) maps to non-prefetchable local memory and one 1-Gbyte range (BAR1) targeted to prefetchable memory.

19.4.5.1 Reads from Local Memory

MCF547X can provide continuous data to a PCI master using two 32-byte buffers. The PCI controller bursts reads internally at each 32-byte PCI address boundary. The data is stored in the first 32-byte buffer until either the PCI master flushes the data or the transaction terminates (PCIFRAME deasserts). For prefetchable memory (BAR1 space), the next line can be fetched from memory in anticipation of the next PCI request and stored in the second buffer. Prefetching is performed for BAR1 addressed transactions if the PCI command is a Memory Read Multiple or the prefetch bit is set in the Target Control Register (PCITCR).

19.4.5.2 Local Memory Writes

The target interface always posts writes. This allows for data to be latched while waiting for internal access to local memory. While PCI burst transactions are accepted, writes are sent out on the internal bus as single-beat. A 32-byte posted write buffer is implemented to improve data throughput.

If the PCI controller aborts the transaction in the middle of PCI burst due to internal conflicts, the external master recognizes some of the data as transferred. (Subsequent transfers of a burst will be aborted on PCI bus). The external PCI master must query the “Target abort signalled” bit in the PCI Type 00h configuration status register to determine if a target abort occurred.

19.4.5.3 Data Translation

The XL bus supports misaligned operations, however, it is strongly recommended that software attempt to transfer contiguous code and data where possible. Non-contiguous transfers degrade performance. PCI-to-XL bus transaction data translation is shown in [Table 19-53](#) and [Table 19-54](#).

Table 19-53. Aligned PCI to XL Bus Transfers

PCI Bus						XL Bus								
BE[3:0]	AD[2:0]	31:24	23:16	15:8	7:0	A[29:31]	Data Bus Byte Lanes							
							0	1	2	3	4	5	6	7
1110	000				OP3	000	OP3							
1101	000			OP3		001		OP3						
1011	000		OP3			010			OP3					
0111	000	OP3				011				OP3				
1110	100				OP3	100					OP3			
1101	100			OP3		101						OP3		
1011	100		OP3			110							OP3	
0111	100	OP3				111								OP3
1100	000			OP3	OP2	000	OP2	OP3						
1001	000		OP3	OP2		001		OP2	OP3					
0011	000	OP3	OP2			010			OP2	OP3				
1100	100			OP3	OP2	100					OP2	OP3		
1001	100		OP3	OP2		101						OP2	OP3	
0011	100	OP3	OP2			110							OP2	OP3
1000	000		OP3	OP2	OP1	000	OP1	OP2	OP3					
0001	000	OP3	OP2	OP1		001		OP1	OP2	OP3				
1000	100		OP3	OP2	OP1	100					OP1	OP2	OP3	
0001	100	OP3	OP2	OP1		101						OP1	OP2	OP3
0000	000	OP3	OP2	OP1	OP0	000	OP0	OP1	OP2	OP3				
0000	100	OP3	OP2	OP1	OP0	100					OP0	OP1	OP2	OP3

**Table 19-54. Non-Contiguous PCI to XL Bus Transfers
(Requires Two XL Bus Accesses)**

PCI Bus						XL Bus								
BE[3:0]	AD[2:0]	31:24	23:16	15:8	7:0	A[29:31]	Data Bus Byte Lanes							
							0	1	2	3	4	5	6	7
1010	000		OP3		OP2	000	OP2							
						010			OP3					
1010	100		OP3		OP2	100					OP2			
						110								OP3

**Table 19-54. Non-Contiguous PCI to XL Bus Transfers
(Requires Two XL Bus Accesses (Continued))**

PCI Bus						XL Bus								
BE[3:0]	AD[2:0]	31:24	23:16	15:8	7:0	A[29:31]	Data Bus Byte Lanes							
							0	1	2	3	4	5	6	7
0110	000	OP3			OP2	000	OP2							
						011				OP3				
0110	100	OP3			OP2	100					OP2			
						111								
0101	000	OP3		OP2		001		OP2						
						011				OP3				
0101	100	OP3		OP2		101						OP2		
						111								
0010	000	OP3	OP2		OP1	000	OP1							
						010			OP2	OP3				
0010	100	OP3	OP2		OP1	100					OP1			
						110								OP2
0100	000	OP3		OP2	OP1	000	OP1	OP2						
						011				OP3				
0100	100	OP3		OP2	OP1	100					OP1	OP2		
						111								

19.4.5.4 Target Abort

A target abort will occur if the PCI address falls within a base address window (BAR0 or BAR1) that has not been enabled. See “Target Base Address Translation Register 0 (PCITBATR0)” on page 17 and “Target Base Address Translation Register 1 (PCITBATR1)” on page 18.

19.4.5.5 Latrule Disable

The latrule disable bit in the interface control register, [Section 19.3.2.4, “Target Control Register \(PCITCR\)”](#), prevents the PCI controller from automatically disconnecting a target transaction due to the PCI 16/8 clock rule. With this bit set, it is possible to hang the PCI bus if the internal bus does not complete the data transfer.

19.4.6 Communication Subsystem Initiator Interface

This interface provides for high-speed, autonomous DMA transactions to PCI with the PCI controller operating as a standard communication subsystem peripheral. Full duplex operation is supported and direct XL bus transactions can also be interleaved while comm bus transactions are in progress. Internal arbitration will occur continuously to support transaction interleaving. (See “Initiator Arbitration” on

page 61.) Multichannel DMA operation operates independently of the XL bus. Non-PCI transactions on the XL bus will have 100% bandwidth available to them during PCI multichannel DMA activities. In general, this block will be used by functions in the multichannel DMA API.

The communication subsystem initiator interface consists of Receive and Transmit FIFOs, integrated as separate multichannel DMA peripherals. Therefore, it is generally controlled by the multichannel DMA controller through a pre-described program loop. As with all communication subsystem peripherals, it can be accessed and controlled directly through the slave bus interface if desired, but this path does not generally lend itself to high throughput.

The Transmit and Receive FIFOs are 32×36 bits and support PCI bursts up to 8 beats. This burst size is programmable. The general approach is to write a PCI command and address to the control register along with the number of bytes to be transmitted (`Packet_Size`).

When transmitting data, the module will wait for the Transmit FIFO to fill and then begin transmitting the data onto the PCI bus. Multichannel DMA must handle filling the Transmit FIFO to support the specified number of bytes. Transmission will continue until the specified number of bytes have been sent.

When reading data, the module will check that enough space is available in the Receive FIFO and immediately begin PCI read transactions. Multichannel DMA must handle emptying the Receive FIFO to support the specified number of bytes. Transmission will continue until the specified number of bytes have been received.

At this point, software must restart the procedure by at least re-writing the `Packet_Size` register. Each transmission of the specified number of bytes is considered a “packet”. A new packet can be instructed to continue at the last valid PCI address or software may choose to write a new starting address. The largest burst size is 8 and the largest `Packet_Size` is 65,532, so a packet will typically consist of many PCI data bursts.

The Transmit Controller will wait until sufficient bytes are in the Transmit FIFO to support a full burst and will continue in this mode until the entire packet is transmitted. Similarly, the Receive Controller will stall until sufficient space is available in the Receive FIFO to support a full burst. If the packet is nearly done and the number of bytes remaining to complete the packet is less than `Max_beats`, the remaining data will be performed as single-beat PCI transactions.

19.4.6.1 Access Width

This multichannel DMA module primarily performs 32-bit data accesses to and from PCI, even though some signals are referred to in bytes. The two least significant bits of the `PCITPSR` and `PCIRPSR` value are ignored. All PCI byte enables are enabled during these types of accesses. Additionally, the FIFOs should only be accessed using 32-bit accesses.

The communication subsystem interface optionally supports 16 bit accesses on the PCI bus. Because reads and writes to and from the FIFO require 32-bit accesses, using this option requires padding the remaining 16 bits of data.

19.4.6.2 Addressing

The communication subsystem initiator interface does not use the addressing windows that are set up for the XL bus initiator interface. Instead, the Tx Start Address register and Rx Start Address register are used. Software programs these registers with the initial starting address for the packet. The module contains an internal counter which will present the incremented PCI address at the beginning of each successive burst for packet transfers.

If the Disable Increment bit is set, the PCI controller will present the same address during the address phase of each PCI transaction throughout the entire packet transmission.

19.4.6.3 Data Translation

The PCI bus is inherently little endian in its byte ordering. The comm bus however is big endian. Table 19-55 shows the byte lane mapping between the two buses. Because this interface only allows 32-bit accesses, there is only one entry.

Table 19-55. Comm Bus to PCI Byte Lanes for Memory Transactions

Transfer	Comm Bus						PCI Data Bus					
	cAddress [1:0]	cByte Enable [3:0]	Data Bus				PCIAD [1:0]	BE [3:0]	Data Bus			
			31: 24	23: 16	15:8	7:0			31: 24	23: 16	15:8	7:0
long	00	1111	OP0	OP1	OP2	OP3	00	0000	OP3	OP2	OP1	OP0

19.4.6.4 Initialization

The following list is the recommended procedure for setting up either the Transmit or Receive controller.

1. Set the Start Address
2. Set the PCI command, Max_Retries, and Max_Beats
3. Set mode, Continuous or Non-continuous
4. Reset the FIFO
5. Set the FIFO Alarm and Granularity fields
6. Set the Master Enable bit
7. Set the Reset Controller bit low
8. Write the Packet Size value to begin the transfer

19.4.6.5 Restart and Reset

This section describes Restart and Reset operation for both the Transmit and Receive controllers of the communications subsystem interface.

A Restart sequence is required whenever the controller ends a packet transmission, either normally or abnormally. In non-continuous mode, a new Start_Add value is generally required since this value is re-used as the start of the next packet once it is Restarted. In Continuous mode, the Start_Add value is not reused. Instead, the next packet begins where the last one left off, but a Restart sequence is still required to get this next packet started.

Writing a non-zero value to the Packet_Size register generates a Restart pulse to the controller. If the Master Enable bit is low when the Packet_Size register is written, the Restart pulse will occur when the Master Enable bit is programmed high. Depending on the desired mode of operation other register accesses may be required, as described in the following paragraphs.

If Continuous mode is not selected, operation is fairly straight forward. Upon packet termination, Restart will not occur until Packet_Size is written with a non-zero value, even if the packet size is the same it must be re-written. The Master Enable bit was previously high and can remain so. The Reset Controller bit was

previously low and can remain so. Toggling the Master Enable or Reset bit is unnecessary but would not disrupt the transmit controller. If any other Control values, e.g. Start_Add, are to be changed they should be written either prior to writing the Packet_Size value or written while the Master Enable bit is negated and the Reset Controller bit is negated. The recommended approach is to write the control values in order (Packet_Size must be last) and not toggle the Master Enable bit. The Reset bit should remain negated.

If Continuous mode is active, basic operation is still straight forward. A Restart is achieved by writing the Packet_Size register to a non-zero value (just as before). When a Restart occurs, the Bytes_Done counter is cleared to begin counting for the current packet and the Packets_Done counter increments. The Packets_Done counter indicates the total number of previously completed packets. However, the Master Enable and Reset bits must not toggle in this case. If the Master Enable bit goes low the Packets_Done counter can be reset. If the Reset bit goes high the Start_Add value will be re-loaded and subsequent transactions will begin at this address. The Reset Controller bit will reset the counter and reload the Start_Add value into the transmit controller, thus achieving a total reset of a continuous mode sequence. In any case, it is still required that the Packet_Size register be written to complete a Restart sequence.

The Master Enable bit, if negated, will block a Restart sequence until asserted, but allows Control values to be updated without order dependency. A side effect is it can reset the Packets_Done counter, which is a concern in continuous mode only.

The Reset bit, if asserted, will force a Reset of the controller. All continuous mode effects will be reset and the Start_Add value is re-loaded. The Reset bit provides the only means to re-load the Start_Add value into the controller while Continuous mode is active. In either mode it provides a means to clear the controller in cases of abnormal termination. Note, a new Start_Add value must be written prior to clearing the Reset bit.

The Reset bit must be negated while the required write to the Packet_Size register is accomplished to facilitate a Restart.

19.4.6.6 PCI Commands

The expected PCI commands are memory write for transmit and memory read for receive. These are independent of cache or line size. This permits the number of data beats per transaction to be flexible. If any requirements exist on number of data beats, then the software must carefully consider the possibilities. If the Max_Beats setting does not divide properly into the Packet_Size setting then the packet will end up with one or more single-beat transactions. Setting Max_Beats to 1 will force all transactions to be single-beat but will affect throughput.

In normal operation, all PCI byte enables will be asserted for PCI transactions through this interface, except if the 16-bit Word register bit is set in the Tx Transaction Control Register (PCITTCR) or Rx Transaction Control Register (PCIRTCR), in which case BE[3:0] = 1100.

Configuration accesses to an external target should be handled exclusively by using the XL bus interface in conjunction with the PCI Configuration Address Register.

19.4.6.7 FIFO Considerations

Careful consideration must also be given to filling and counting bytes of the Transmit FIFO and emptying and counting bytes of the Receive FIFO. This operation is expected to be accomplished through by the multichannel DMA.

19.4.6.8 Alarms

The FIFO alarm registers allow software to control when the DMA fills or empties the appropriate FIFO. The alarm field of the controller's FIFO control register should be programmed to a value greater than or equal to the maximum number of beats multiplied by four in order to avoid data transfer stalls. The alarm and granularity fields should be programmed so that the sum of the values they represent is not greater than or equal to the FIFO size (128 bytes) or else the controller's request to the DMA may immediately deassert.

19.4.6.9 Bus Errors

Because bus errors are particular to the module register set and that register set includes both transmit and receive controller and FIFO settings, the bus error status bits and Bus error Enable bit(s) are duplicated in the Transmit and Receive register groupings. Clearing or setting one will clear or set the other. From a software point of view, then, they can be treated separately or together, as desired.

19.4.7 PCI Clock Scheme

The MCF547X requires a clock generated by an external PLL to be input to the CLKIN signal in order to generate an internal PCI clock. The MCF547X uses this clock as its reference clock. The internal PLL generates the internal PCI clock and all other clocks for the system. The PCI Global Status/Control Register on page 16 reflects the PLL programmed ratios.

Table 19-56. PCI and System Clock Frequencies

CLKIN	PCI CLK	XL Bus CLK	CPU Core CLK	XL Bus Multiplier
25-33.33 MHz	25-33.33 MHz	100-133.33 MHz	200-266.66 MHz	4
25-66.66 MHz	25-66.66 MHz	50-133.33 MHz	100-266.66 MHz	2

The PCI bus clock to external PCI devices is generated from an external PLL, while the internal PCI clock is generated from the MCF547X internal PLL. The XL bus is always faster than the PCI clock.

19.4.8 Interrupts

19.4.8.1 PCI Bus Interrupts

MCF547X does not generate interrupts on the PCI bus interrupt lines INTA - INTD.

19.4.8.2 Internal Interrupt

The PCI module is capable of generating three interrupts to MCF547X interrupt controller in MCF547X SIU. Each interrupt can be enabled for a variety of conditions, mostly error conditions. For the XL bus Initiator interface, the internal interrupt can be enabled for Retry errors, Target Aborts and Initiator (Master) Aborts. See Section 19.3.2.9 and Section 19.3.2.10 for more information. For the comm bus Initiator interface, an internal interrupt can be enabled for FIFO errors and Normal Termination of a packet transfer for either the Receive (Rx) or Transmit (Tx) interface. For more information, see the enable and status registers for the comm bus transmit and receive interfaces, "Comm Bus FIFO Transmit Interface" on page 26 and "Functional Description" on page 53.

19.5 Application Information

This section provides example usage of some of the features of the PCI module.

19.5.1 XL Bus-Initiated Transaction Mapping

The use of the PCI configuration address register along with the initiator window registers provide many possibilities for PCI command and address generation. Table 19-57 shows how the PCI Controller accepts read and write requests from an XL bus master and decodes them to different address ranges resulting in the generation of memory, I/O, configuration, interrupt acknowledge and special cycles on the PCI bus. The window registers are defined in Section 19.3.2.6 through Section 19.3.2.8.

Table 19-57. Transaction Mapping: XL Bus → PCI

XL Bus Transaction (XL Bus Slave Interface)	Cache Line Size Register= 8	Initiator Register Settings				PCI Transaction Controller (XL Bus Initiator Interface) → PCI Target
		Initiator Window Configuration bits		Configuration Address Register		
		IO/M#	PRC	En	Device number == b1_1111	
Single-Beat 1 → 8 byte Read	x	0	b00	x	x	Memory Read
Burst Read (32 bytes)	x	0	b00	x	x	Memory Read
Single-Beat 1 → 8 byte Read	x	0	b01	x	x	Memory Read
Burst Read	false	0	b01	x	x	Memory Read
Burst Read	true	0	b01	x	x	Memory Read Line
Single-Beat 1 → 8 byte Read	x	0	b10	x	x	Memory Read Multiple
Burst Read	x	0	b10	x	x	Memory Read Multiple
Single-Beat 1 → 8 byte, or Burst Write	x	0	x	x	x	Memory Write
Single-Beat 1 → 4 byte Read	x	1	x	0	x	I/O Read
Single-Beat 1 → 4 byte Write	x	1	x	0	x	I/O Write
Single-Beat 1 → 4 byte Read	x	1	x	1	false	Configuration Read
Single-Beat 1 → 4 byte Write	x	1	x	1	false	Configuration Write
Single-Beat 1 → 4 byte Read	x	1	x	1	true	Interrupt acknowledge
Single-Beat 1 → 4 byte Write	x	1	x	1	true	Special Cycle

—Dual Address Cycles and Memory Write and Invalidate Commands are not supported

—x means “don’t care”

19.5.2 Address Maps

The address mapping in MCF547X system is setup by software through a number of base address registers. The internal CPU writes the base address value to module base address register MBAR. MBAR holds the base address for the 256-Kbyte space allocated to internal registers.

19.5.2.1 Address Translation

19.5.2.1.1 Inbound Address Translation

The MCF547X-as-target occupies two memory target address windows on the PCI bus. The location is determined by the values programmed to BAR0 and BAR1 of the PCI Type 00h configuration space. These inbound memory window sizes are fixed to one 256-Kbyte window (BAR0) and one 1-Gbyte window (BAR1).

PCI inbound address translation allows address translation to any space in MCF547X space (4 Gbytes of address space). The target base address translation registers TBATR0 and TBATR1 specify the location of the inbound memory window. These registers are described in [Section 19.4.3, “Configuration Interface”](#). Address translation occurs for all enabled inbound transactions. If the enable bit of the target base address translation registers is cleared, MCF547X aborts all PCI memory transactions to that base address window.

Note, the PCI configuring master can program BAR0 to overlap BAR1. The default address translation value is TBATR1 in that case. It is not recommended to program overlapping BAR0 and BAR1 or overlapping TBATR0 and TBATR1. An overlap of TBATRs can cause data write-over of BAR0 data.

The Initiator Window Base Address Registers are used to decode XL bus addresses for PCI bus transactions. The base address and base address mask values define the upper byte of address to decode. The XL bus address space in MCF547X dedicated to PCI transactions can be mapped to three 16-Mbyte or larger address spaces in the MCF547X. Initiator Windows can be programmed to overlap, though not recommended. Priority for the windows is 0, 1, 2. That is, initiator window 0 has priority over all others and window 1 has priority over window 2.

In normal operation, software should not program either Target Address Window Translation Register to address Initiator Window space. In that event, a MCF547X-as-Target transaction would propagate through the MCF547X's internal bus and request PCI bus access as the PCI Initiator. The PCI arbiter could see the PCI bus as busy (target read transaction in progress) and only a time-out would free the PCI bus.

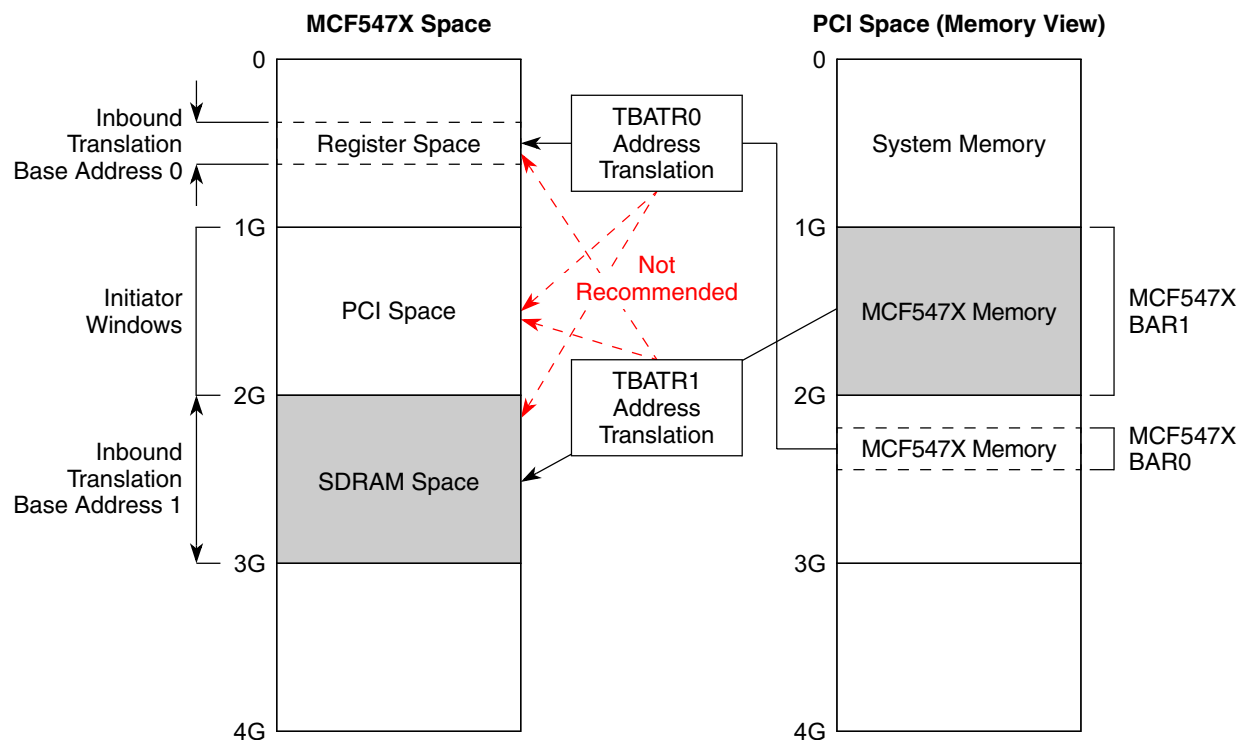


Figure 19-54. Inbound Address Map

19.5.2.1.2 Outbound Address Translation

Figure 19-55 shows an example of XL Bus Initiator Window configurations. Overlapping the inbound memory window (MCF547X Memory) and the outbound translation window is not supported and can cause unpredictable behavior.

Figure 19-55 does not show the configuration mechanism.

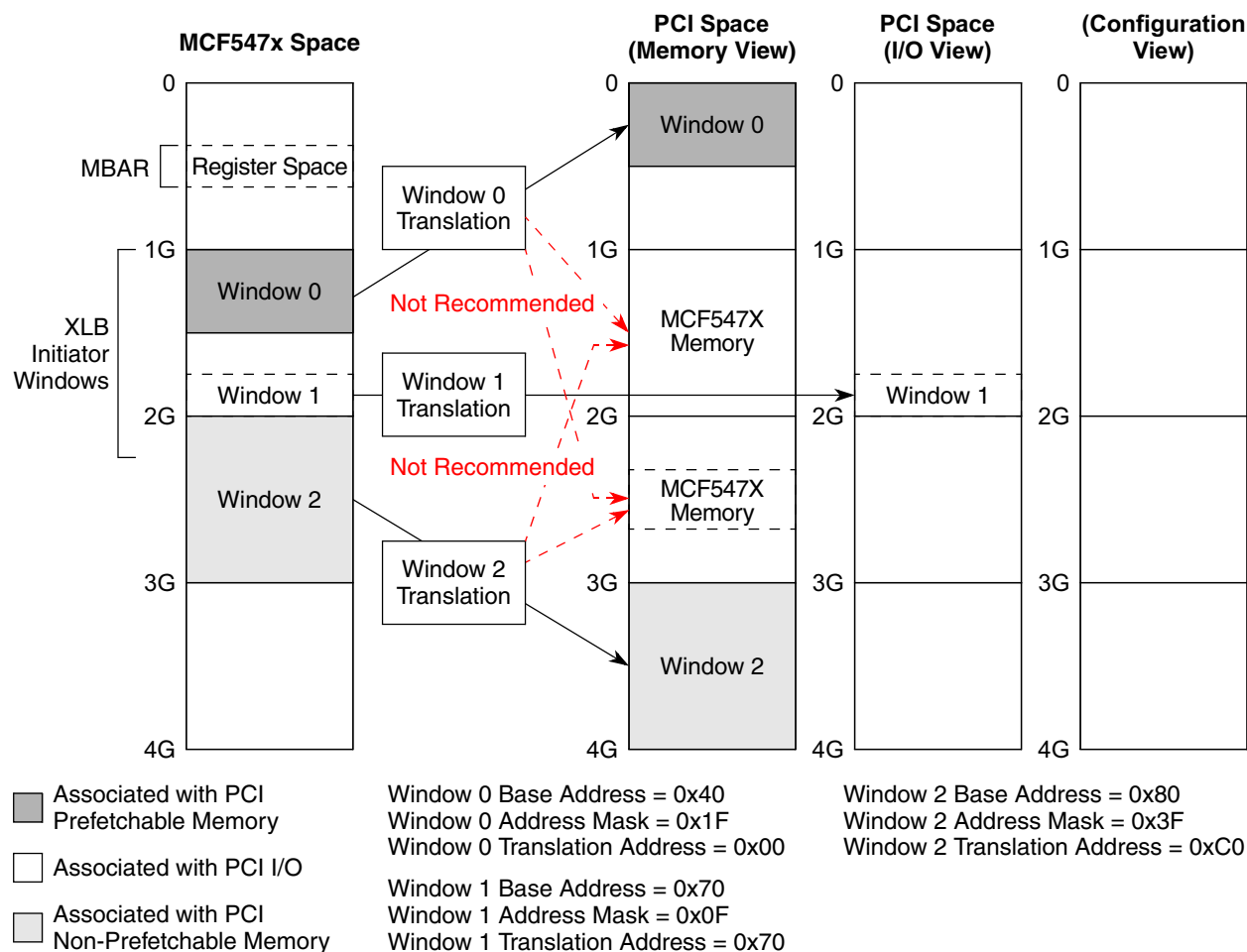


Figure 19-55. Outbound Address Map

19.5.2.1.3 Base Address Register Overview

Table 19-58 shows the available accessibility for all PCI associated base address and translation address registers in the MCF547X.

Table 19-58. Address Register Accessibility

Base Address Register	Register Function	PCI Bus Configuration Access	Processor Access	Any XL Bus Master Access
BAR0	PCI Base Address Register 0 (256 Kbyte)	X	X	X
BAR1	PCI Base Address Register 1 (1 Gbyte)	X	X	X
TBTR0	Target Base Address Translation Register 0 (256 Kbyte)		X	X

Table 19-58. Address Register Accessibility

Base Address Register	Register Function	PCI Bus Configuration Access	Processor Access	Any XL Bus Master Access
TBATR1	Target Base Address Translation Register 0 (1 Gbyte)		X	X
IMWBAR	Initiator Window Base/Translation Address Registers		X	X

19.6 XL Bus Arbitration Priority

To prevent XL bus arbitration livelock, the PCI controller should have the same or higher XL bus arbitration priority as other XL bus masters that access PCI space. If the XL bus arbiter master priority register (PRI) is used, it should be programmed so that the PCI priority value has higher XL bus priority than all other XL bus masters that address the PCI space through the XL bus slave interface of the PCI Controller. XL bus masters that do not perform transactions to PCI across the XL internal bus can have higher priority.

Note that the default priority setting uses the programmed priority settings where the G2 Core is set to highest. If the Priority Register Enable is disabled for PCI (Master 3), the arbiter uses the hardware priority values. The PCI hardwired priority is 0, highest. See Section 6.7, “Arbiter Register Descriptions,” on page 8 for more details.

Chapter 20

PCI Bus Arbiter Module

20.1 Introduction

This chapter describes the MCF547X PCI bus arbiter module, including timing for request and grant handshaking, the arbitration process, and the registers in the PCI bus arbiter programming model. It also provides arbitration examples. For information on the PCI Controller, see Chapter 27, “PCI Bus Controller.”

20.1.1 Block Diagram

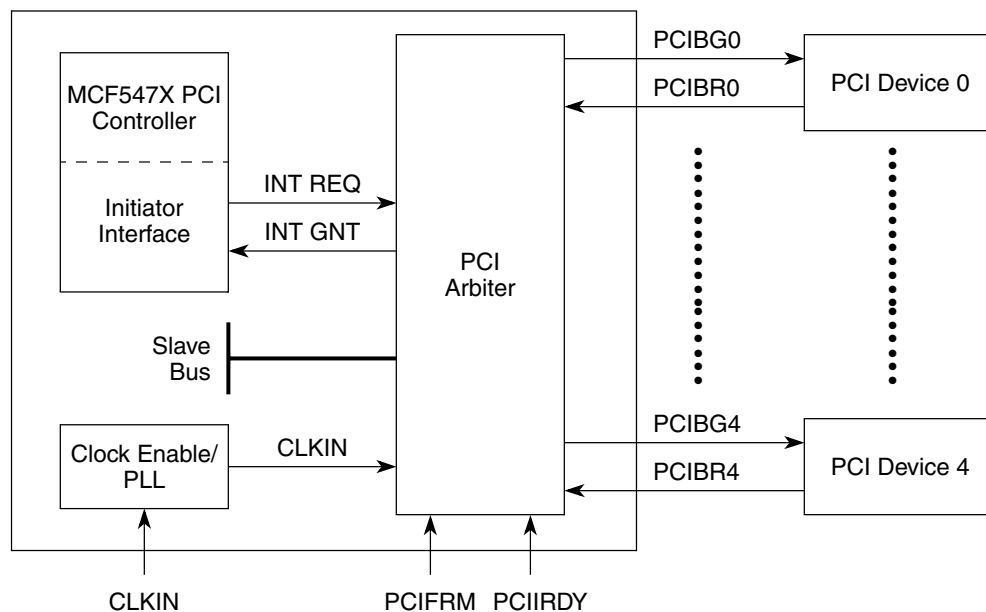


Figure 20-1. PCI Arbiter Interface Diagram

20.1.2 Overview

PCI bus arbitration is access-based. Bus masters must arbitrate for each access performed on the bus. The PCI bus uses a central arbitration scheme where each PCI master has its own unique request (REQ) and grant (GNT) signal. A simple request-grant handshake is used to gain access to the bus.

The MCF547X contains an internal PCI bus arbiter that supports up to five external masters in addition to the MCF547X. It can be disabled to allow for an external PCI arbiter.

The arbiter makes use of overlapped or “hidden” arbitration to reduce arbitration overhead and improve bus utilization. Only during idle states of the PCI bus are cycles consumed due to arbitration.

When no device is using or requesting the PCI bus, the PCI arbiter parks the bus with the last master that acquired the bus. The bus is then immediately available to the selected bus master if it should require the use of the bus (and no other higher-priority request is pending). The selected master can immediately initiate a transaction as long as the PCI bus is idle. It need not assert its REQ.

20.1.3 Features

- Direct support for up to five external PCI bus masters
- Fair arbitration scheme
- Hidden bus arbitration
- Bus parking
- Master time-out
- Interface with 33 MHz and 66 MHz PCI

20.2 External Signal Description

This section defines the PCI arbiter and corresponding external I/O signals. [Table 19-2](#) summarizes this information.

Table 20-1. PCI Arbiter External Signals

Name	Type	Function	MCF547X Reset
$\overline{\text{PCIFRM}}$	I/O	Frame	Tristate
$\overline{\text{PCIIRDY}}$	I/O	Initiator Ready	Tristate
CLKIN	I	Clock	Toggling
PCIBG0 / PCIREQOUT	O	External Bus Grant / Request Output	Tristate
PCIBG[4:1]	O	External Bus Grant	Tristate
PCIBR0 / PCIGNTIN	I	External Request / Grant Input	Tristate
PCIBR[4:0]	I	External Bus Request	Tristate

20.2.1 Frame ($\overline{\text{PCIFRM}}$)

The $\overline{\text{PCIFRM}}$ signal is asserted by a PCI initiator to indicate the beginning of a transaction. It is deasserted when the initiator is ready to complete the final data phase.

20.2.2 Initiator Ready ($\overline{\text{PCIIRDY}}$)

The $\overline{\text{PCIIRDY}}$ signal is asserted to indicate that the PCI initiator is ready to transfer data. During a write operation, assertion indicates that the master is driving valid data on the bus. During a read operation, assertion indicates that the master is ready to accept data.

20.2.3 PCI Clock (CLKIN)

The CLKIN signal serves as a reference clock for generation of the internal PCI clock.

20.2.4 External Bus Grant ($\overline{\text{PCIBG[4:1]}}$)

The $\overline{\text{PCIBG}}$ signal is asserted to an external master to give it control of the PCI bus. If the internal PCI arbiter is enabled, it asserts one of the $\overline{\text{PCIBG[4:1]}}$ lines to grant ownership of the PCI bus to an external master. When the PCI arbiter module is disabled, $\overline{\text{PCIBG[4:1]}}$ are driven high and should be ignored.

20.2.5 External Bus Grant/Request Output ($\overline{\text{PCIBG0}}/\overline{\text{PCIREQOUT}}$)

The $\overline{\text{PCIBG0}}$ signal is asserted to external master device 0 to give it control of the PCI bus. When the PCI arbiter module is disabled, the signal operates as the $\overline{\text{PCIREQOUT}}$ output. It is asserted when the MCF547x needs to initiate a PCI transaction.

20.2.6 External Bus Request ($\overline{\text{PCIBR}}[4:1]$)

The $\overline{\text{PCIBR}}$ signal is asserted by an external PCI master when it requires access to the PCI bus.

20.2.7 External Request/Grant Input ($\overline{\text{PCIBR0}}/\overline{\text{PCIGNTIN}}$)

The $\overline{\text{PCIBR0}}$ signal is asserted by external PCI master device 0 when it requires access to the PCI bus. When the internal PCI arbiter module is disabled, this signal is used as a grant input for the PCI bus, $\overline{\text{PCIGNTIN}}$. It is driven by an external PCI arbiter. For detailed description of the PCI bus signals, see the *PCI Local Bus Specification, Revision 2.2*.

20.3 Register Definition

The PCI arbiter provides decode logic for up to sixty-four 32-bit registers, but makes use of just two. Accesses via the slave interface to and from the registers can be 8-bit, 16-bit, or 32-bit accesses. Reads to unimplemented registers return 0x0000_0000 and writes have no effect.

All registers are accessible at an offset of MBAR in the memory space. There is one module offset for PCI arbiter space at 0x0C00. Refer to for module offsets.

20.3.1 PCI Arbiter Control Register (PACR)

	31	30	29	28	27	26	25	24	23	22	21	20	19	18	17	16
R	DS	0	0	0	0	0	0	0	0	0	EXTMINTEN				INTMINTEN	
W																
Reset	0	0	0	0	0	0	0	0	0	0	0	0	0	0	0	0
Reg Addr	MBAR + 0xC00															
	15	14	13	12	11	10	9	8	7	6	5	4	3	2	1	0
R	0	0	0	0	0	0	0	0	0	0	EXTMPRI				INTMPRI	
W																
Reset	0	0	0	0	0	0	0	0	0	0	0	0	0	0	0	0
Reg Addr	MBAR + 0xC00															

Figure 20-2. PCI Arbiter Control Register (PACR)

Table 20-2. PACR Field Descriptions

Bits	Name	Description
31	DS	Disable bit for the internal PCI arbiter. 0 Enable the PCI arbiter. 1 Disable the on-chip arbiter and use $\overline{\text{GNT0}}$ for the MCF547X PCI request output and $\overline{\text{REQ0}}$ for its grant input.
30–22	—	Reserved, should be cleared.
21–17	EXTMINTEN	External master broken interrupt enables. If an external master time-out occurs and the corresponding interrupt enable bit is set, a CPU interrupt will be generated. Bit 21 is the enable for PASR bit 21, bit 20 for PASR bit 20, and so on. 0 Disable interrupt 1 Enable interrupt Software must write 1 to the asserted external master broken bit(s) in PASR to clear the interrupt condition.
16	INTMINTEN	Internal master broken interrupt enable for the MCF547X master time-out status bit internal master broken (bit 16 of the PASR). If an MCF547X master time-out occurs and this bit is set, a CPU interrupt will be generated. 0 Disable interrupt 1 Enable interrupt Software must write 1 to the asserted internal master broken bit in PASR to clear the interrupt condition.
15–6	—	Reserved. Software should write zero to this register.
5–1	EXTMPRI	External master priority levels. Bit 1 controls the priority for the device using $\overline{\text{REQ0}}$ and $\overline{\text{GNT0}}$ pins, bit 2 for $\overline{\text{REQ1}}$ and $\overline{\text{GNT1}}$, etc. 0 Low 1 High
0	INTMPRI	Internal master priority level. 0 Low 1 High

PCI Arbiter Status Register (PASR)

	31	30	29	28	27	26	25	24	23	22	21	20	19	18	17	16
R	0	0	0	0	0	0	0	0	0	0	EXTMBK				ITLMBK	
W											rwc ¹				rwc ¹	
Reset	0	0	0	0	0	0	0	0	0	0	0	0	0	0	0	0
Reg Addr	MBAR + 0xC04															
	15	14	13	12	11	10	9	8	7	6	5	4	3	2	1	0
R	0	0	0	0	0	0	0	0	0	0	0	0	0	0	0	0
W																
Reset	0	0	0	0	0	0	0	0	0	0	0	0	0	0	0	0
Reg Addr	MBAR + 0xC04															

¹ Bits 21-16 are read-write-clear (rwc).

—Hardware can set rwc bits, but cannot clear them.

—Software can clear rwc bits that are currently set by writing a 1 to the bit location. Writing a 1 to a rwc bit that is currently a 0 or writing a 0 to any rwc bit has no effect.

Figure 20-3. PCI Arbiter Status Register (PASR)

Table 20-3. PASR Field Descriptions

Bits	Name	Description
31–22	—	Reserved. Software should write zero to this register.
21–17	EXTMBK	External master broken: External master time-out. Bit 17 reports the time-out status for the device using REQ0 and GNT0 pins, bit 18 for REQ1 and GNT1, etc. A CPU interrupt will be generated if the corresponding external master interrupt enable bit is set. Software must write a 1 to each bit location to clear.
16	ITLMBK	Internal master broken: An MCF547Xmaster time-out occurred. A CPU interrupt will be generated if the internal master interrupt enable bit is set. Software must write a 1 to this bit location to clear.
15–0	—	Reserved. Software should write zero to this register.

20.4 Functional Description

20.4.1 External PCI Requests

An external PCI master may target the MCF547X or external slaves. The request/grant handshake always precedes any PCI bus operation. The PCI arbiter must service access requests for an external master-to-external target transactions as well as external master-to-MCF547X transactions.

20.4.2 Arbitration

20.4.2.1 Hidden Bus Arbitration

PCI bus arbitration can take place while the currently granted device is performing a bus transaction if another master is requesting access to the bus. As long as the bus is active, the arbiter can deassert \overline{GNT} to one master and assert \overline{GNT} to the next in the same cycle and no PCI bus cycles are consumed due to arbitration. The newly granted device must wait until the bus is relinquished by the current master before initiating a transaction.

20.4.2.2 Arbitration Scheme

The MCF547X PCI bus master logic provides a programmable two-level least recently used (LRU) priority algorithm. Two groups of masters are assigned, a high-priority group and a low-priority group. The low-priority group as a whole represents one entry in the high-priority group. If the high-priority group consists of n masters, then in at least every $n+1$ transactions, the highest priority is assigned to the low-priority group. Low-priority masters have equal access to the bus with respect to other low-priority masters. If there are masters programmed into both groups, masters in the high-priority group can be serviced n transactions out of $n+1$, while one master in the low-priority group is serviced once every $n+1$ transactions. If all masters are programmed to the same group, or if there is only one master assigned to the low-priority group, then there is no priority distinction among masters.

A LRU priority scheme allows for “fairness” in priority resolution because no one master can prevent other masters from gaining access to the bus. The priority level, high or low, provides a simple weighting mechanism for master access to the bus.

Priority in a LRU scheme adjusts so that the last master serviced is assigned the lowest priority in its level. Masters with lower priority shift to the next higher priority position. The MCF547X is positioned before all external devices in priority. If a master is not requesting the bus, its transaction slot is given to the next requesting device within its priority group.

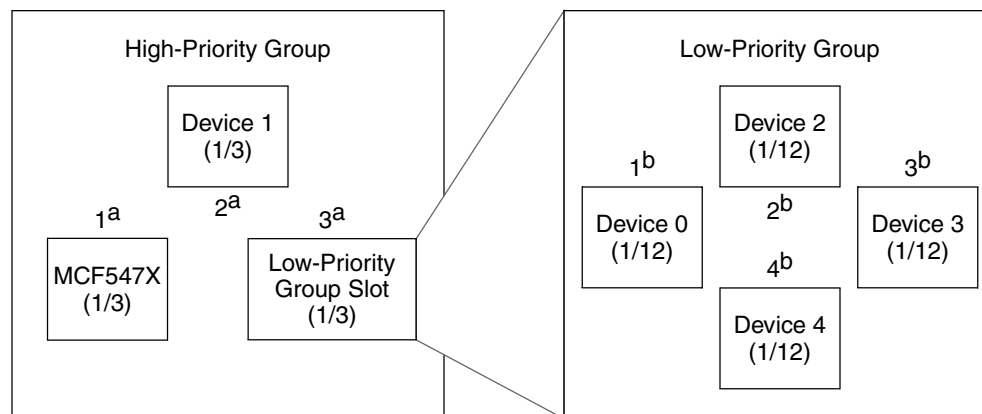
During hidden arbitration, \overline{GNT} given to a requesting master while the PCI bus is active may be removed and awarded to a higher priority device if a higher priority device asserts its request. If the bus is idle when a device requests the bus, the arbiter deasserts the currently asserted \overline{GNT} for one PCI clock cycle. The arbiter evaluates the priorities of all requesting devices and grants the bus to the highest priority device in the next cycle.

Figure 20-4 shows the initial state of the arbitration algorithm. Two devices are assigned high-priority (the MCF547X and one external master) and four low-priority. If all masters request the use of the PCI bus continuously, the \overline{GNT} sequence is the MCF547X, device 1, device 0, the MCF547X, device 1, device 2, the MCF547X, device 1, device 3, the MCF547X, device 1, device 4 repeating.

If device 1 is not requesting the bus, the \overline{GNT} sequence is the MCF547X, device 0, the MCF547X, device 2, the MCF547X, device 3, the MCF547X, device 4 repeating. If, after this sequence completes, all devices request the bus (including now device 1), the arbiter will assign \overline{GNT} to device 1 since it has been the

longest since device 1 has used the bus. (It has highest priority.) Once all requests are serviced, the priority resets to the initial state.

Figure 20-4. PCI Arbitration Initial State



PCI Arbiter Control Register PACR[26:31] = 000101b

20.4.2.3 Arbitration Latency

Worst case arbitration latency: arbitration latency is the number of clock cycles from a master's $\overline{\text{REQ}}$ assertion to PCI bus idle state AND its $\overline{\text{GNT}}$ assertion. In a lightly loaded system, arbitration latency would be the time it takes for the bus arbiter to assert the master's $\overline{\text{GNT}}$ (zero cycles if the arbiter is parked with the requesting master and two if parked with another master). If a transaction is in progress when the master's $\overline{\text{GNT}}$ is asserted, the master must wait for the current transaction to complete and any subsequent transactions from higher priority requesting masters. In a situation where there are multiple requesting masters, each master's tenure on the bus is limited by its master latency timer.

20.4.2.4 Arbitration Examples

Figure 20-5 shows basic arbitration. Three master devices are used to illustrate how an arbiter may alternate bus accesses. (Assume device 0, device 1, and device 2 are assigned the same priority group and no other masters are requesting use of the bus.)

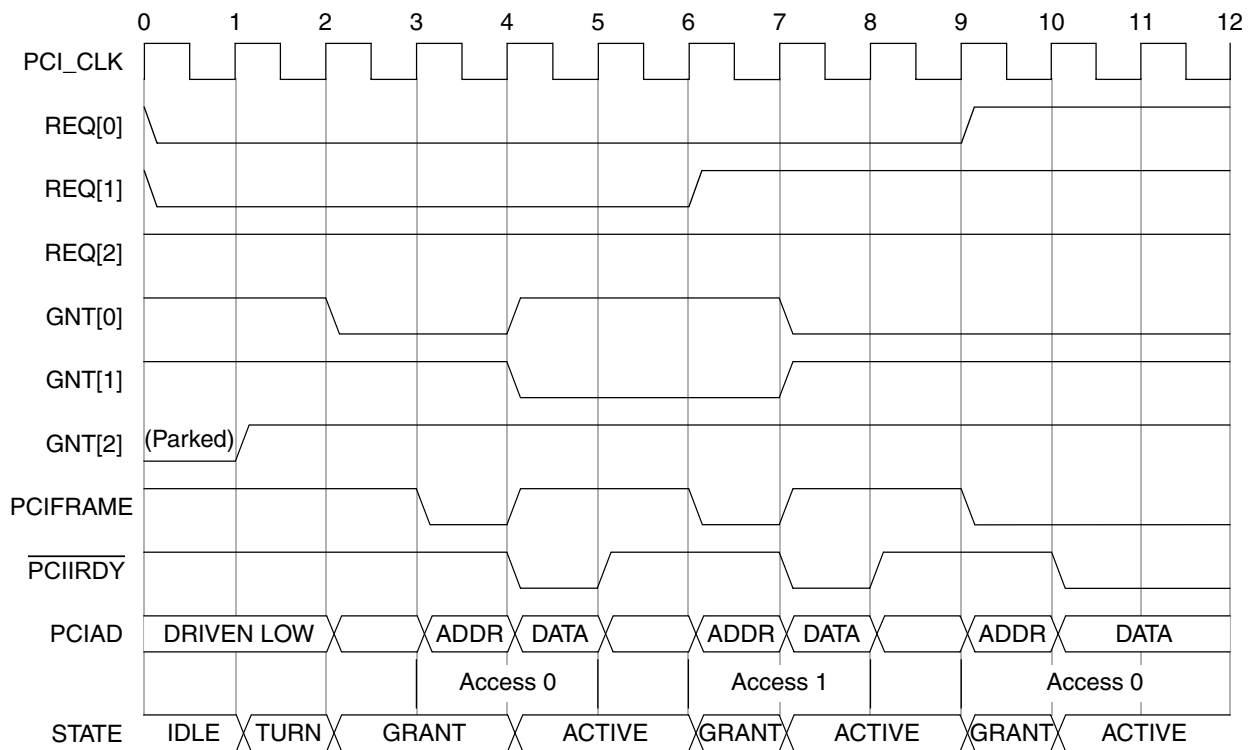


Figure 20-5. Alternating Priority

Device 0 and device 1 assert $\overline{\text{REQ}}$ while the bus is parked with device 2. Because the PCI bus is idle, the arbiter deasserts $\overline{\text{GNT}}$ to the parked master (device 2) and a cycle later, grants access to device 0. Device 0's transaction begins when $\overline{\text{PCIFRAME}}$ is asserted on clock 4. (The earliest device 0 can initiate a transaction on the PCI bus is the cycle following $\overline{\text{GNT}}$ assertion.) It leaves its $\overline{\text{REQ}}$ asserted to indicate it wants to perform another transaction. When $\overline{\text{PCIFRAME}}$ is asserted (PCI bus is active), hidden arbitration occurs and $\overline{\text{GNT}}$ to device 0 deasserts on the same cycle the arbiter asserts $\overline{\text{GNT}}$ to device 1. (Device 1 has priority because, of the two requesting masters, device 0 and device 1, device 1 is the least recently used.)

Device 0 completes its transaction on clock 5 and relinquishes the PCI bus. On clock 6, device 1 detects the PCI bus is idle ($\overline{\text{PCIFRAME}}$ and $\overline{\text{PCIIRDY}}$ deasserted) and because its $\overline{\text{GNT}}$ is still asserted, initiates the next transaction in the next cycle. To indicate it only requires this single transaction on the PCI bus, device 1 deasserts $\overline{\text{REQ}}$ on the same cycle it asserts $\overline{\text{PCIFRAME}}$.

Because device 0 is the only other requesting device, the arbiter asserts its $\overline{\text{GNT}}$ and will leave its $\overline{\text{GNT}}$ asserted until another request is detected.

Figure 20-6 starts out just like Figure 20-5 with the bus parked with device 2 and both device 0 and device 1 requesting use of the PCI bus. (Assume device 0, device 1, and device 2 are assigned the same priority group and no other masters are requesting use of the bus.)

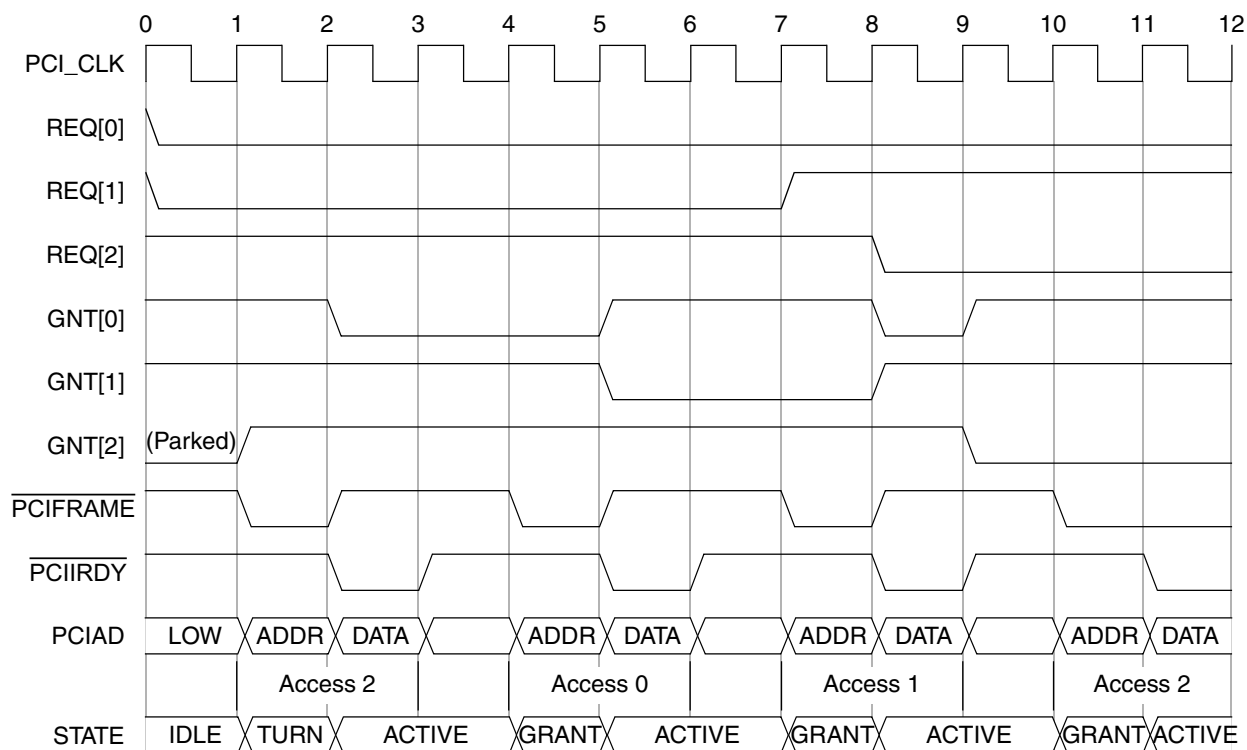


Figure 20-6. Higher Priority Override

The arbiter again deasserts device 2's $\overline{\text{GNT}}$ on clock 2, but device 2 initiates a transaction in the same cycle. As long as the PCI bus is idle and $\overline{\text{GNT}}$ is asserted, a master can begin a transaction on the next cycle. (Assertion of $\overline{\text{REQ}}$ is not required.)

Next access is again awarded to device 0 and upon detection of an idle PCI state, it performs its transaction (clocks 5 and 6). Because it has subsequent transactions to perform, device 0 leaves its $\overline{\text{REQ}}$ asserted. Like the previous timing diagram, PCI bus ownership switches to device 1.

While device 1 is performing a transaction on the PCI bus on clock 8, device 0 is the only device still requesting subsequent use of the bus. In the next cycle, the arbiter asserts $\overline{\text{GNT}}$ to device 0 in response to the request. Device 2, during that same cycle, asserts its $\overline{\text{REQ}}$. The arbiter, because access 1 is still in progress, determines that device 2 is higher priority than device 0 (after device 1 access), rearbiterates and deasserts $\overline{\text{GNT}}$ to device 0 and asserts $\overline{\text{GNT}}$ to device 2 in the next cycle (clock 10).

20.4.3 Master Time-Out

A master is considered "broken" if it has not initiated an access (dropped $\overline{\text{PCIFRAME}}$) after its $\overline{\text{GNT}}$ has been asserted (its $\overline{\text{REQ}}$ is also asserted) and the bus is in the idle state for 16 clocks. A 16 clock (PCI clock) timer is instituted to prevent arbitration lock-up for this case. When the timer expires, the arbiter removes the $\overline{\text{GNT}}$ from the device and gives the bus to the master with the next highest priority. Subsequent requests from the timed-out master will be ignored until its $\overline{\text{REQ}}$ is negated for at least one clock cycle.

A status bit is set when any master times out. If the corresponding interrupt enable bit is set, a CPU interrupt will assert. Software can query the status bits to detect a "broken" master in the PCI system. (See Section , "PCI Arbiter Status Register (PASR)")

If a master does not initiate a transaction after its $\overline{\text{GNT}}$ has been asserted, but deasserts $\overline{\text{REQ}}$ before the 16 clock timer expires, the arbiter deasserts $\overline{\text{GNT}}$ and rearbiterates for the next transaction. The master is not considered “broken” and subsequent requests are acknowledged. This “never-mind” scenario is detrimental to system performance, however, and is not a recommended implementation.

20.5 Reset

Reset capability is provided by the MCF547X system reset. This signal resets both hardware and software registers in the internal PCI arbiter.

An MCF547X software bit external to the arbiter controls the external $\overline{\text{PCIRESET}}$ signal (See Section 27.3.2.1, “Global Status/Control Register (PCIGSCR),” on page 16). During the MCF547X system reset, this bit is set and $\overline{\text{PCIRESET}}$ is asserted. No PCI traffic is allowed during this time. Only a software write of zero brings the PCI bus out of reset.

Because the external PCI $\overline{\text{GNT}}$ signals must tristate during PCI reset, the $\overline{\text{PCIRESET}}$ output signal is used as an output enable (active high) for all $\overline{\text{PCIGNT}}$ outputs.

20.6 Interrupts

Only a detection of a malfunctioning master can generate a CPU interrupt from the PCI arbiter module. (see Section 20.4.3, “Master Time-Out”). If a master time-out occurs and its interrupt enable bit is set, a level high will be driven onto the interrupt signal output of the arbiter. The interrupt will deassert when either $\text{PASR}[\text{EXTMBK}]$, the time-out status bit, or $\text{PASR}[\text{ITLMBK}]$, the interrupt enable control bit, is cleared.

When a master time-out occurs and the corresponding status bit is set, software must write a 1 to the bit location to clear it. If the status bit generated an interrupt because the corresponding interrupt enable bit was set, clearing the status bit is one way to deassert the interrupt output. An alternate way to force the interrupt to a level low is to disable the interrupt enable that corresponds to the asserted status bit. The status bit, however, remains set.

Chapter 21

Integrated Security Engine (SEC)

This chapter provides an overview of the MCF547x security encryption controller (SEC).

NOTE

Purchasing any of the MCF547x devices with security requires government export control regulation.

21.1 Features

The SEC is designed to offload computationally intensive security functions, such as authentication bulk encryption from the MCF547x core. It is optimized to process all the algorithms associated with IPSec, SSL/TLS, iSCSI, and SRTP.

SEC features include the following:

- DEU—data encryption standard execution unit
 - DES, 3DES
 - Two key (K1, K2, K1) or three Key (K1, K2, K3)
 - ECB and CBC modes for both DES and 3DES
- AESU—advanced encryption standard unit
 - Implements the Rijndael symmetric key cipher
 - ECB, CBC, CCM, and counter modes
 - 128, 192, 256 bit key lengths
- AFEU—ARC four execution unit
 - Implements a stream cipher compatible with the RC4 algorithm
 - 40- to 128-bit programmable key
- MDEU—message digest execution unit
 - SHA with 160-bit or 256-bit message digest
 - MD5 with 128-bit message digest
 - HMAC with either algorithm
- RNG—one random number generator
- Master/slave logic, with DMA
 - 32-bit address/32-bit data
 - Up to 133 MHz operation
- Two Crypto-channels, each supporting multi-command descriptor chains
 - Static and/or dynamic assignment of crypto-execution units via an integrated controller
- Buffer size of 512 bytes for each execution unit, with flow control for large data sizes

21.2 ColdFire Security Architecture

The ability of the SEC to be a master on the internal XLB bus allows the security core to offload the data movement bottleneck normally associated with slave-only cores.

The ColdFire core accesses the SEC primarily through data packet descriptors using system memory for data storage. When an application requires cryptographic functions, it simply creates descriptors that

define the cryptographic function to be performed and the location of the data. The SEC's bus-mastering capability permits the host processor to set up a crypto-channel with a few register writes, then the SEC can perform reads and writes on system memory to fetch data packet descriptors and complete the specified tasks.

21.3 Block Diagram

Figure 21-1 shows a block diagram of the SEC module. The bus interface module is designed to transfer 32-bit words between the internal bus and any register inside the SEC.

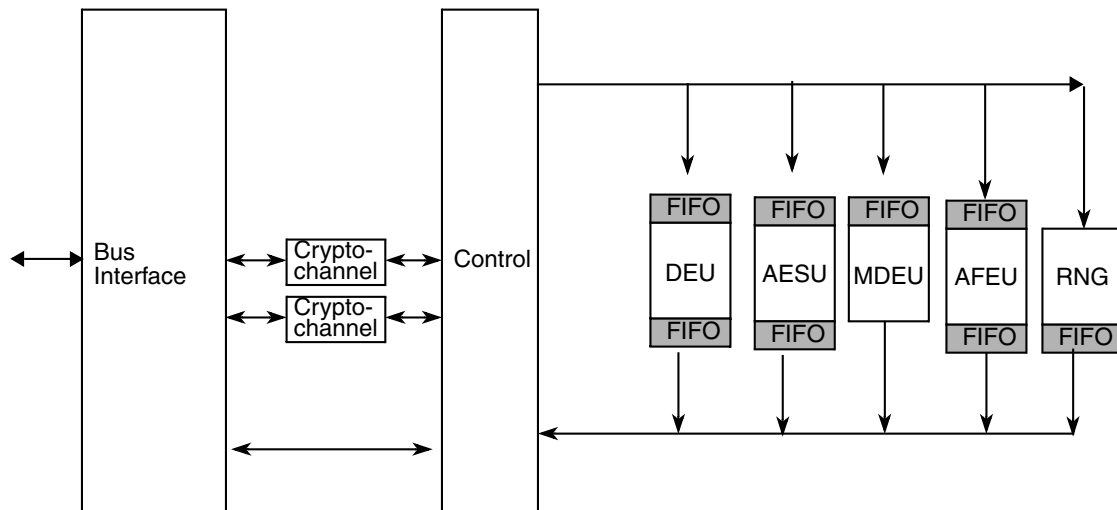


Figure 21-1. SEC Block Diagram

A typical operation consists of the following steps:

- An operation begins with a write of a pointer to a crypto-channel fetch register that points to a data packet descriptor.
- The channel requests the descriptor and decodes the operation to be performed.
- The channel then requests the controller to assign crypto execution units and fetch the keys, context/initialization vectors (IVs), and data needed to perform the given operation.
- The controller satisfies the requests by assigning execution units to the channel and by making requests to the master interface per the programmable priority scheme.
- As data is processed, it is written to the individual execution unit's output FIFO and then back to system memory via the bus interface.

21.4 Overview

21.4.1 Bus Interface

The bus interface manages communication between the SEC internal execution units and the internal bus. The interface uses the bus master/slave protocols. All on-chip resources are memory mapped, and the target accesses and initiator writes from the SEC must be addressed on longword boundaries. The SEC will perform initiator reads on byte boundaries and will adjust the data (realign the data) to place on longword boundaries as appropriate. Access to system memory is a critical factor in co-processor performance, and the bus interface of the SEC core allows it to achieve performance unattainable on secondary busses.

21.4.2 SEC Controller Unit

The SEC controller unit manages on-chip resources, including the individual execution units (EUs), FIFOs, the bus interface, and the internal buses that connect all the various modules. The controller receives service requests from the bus interface and various crypto-channels, and schedules the required activities. The controller can configure each of the on-chip resources in two modes:

- Static mode—The user can reserve a specific execution unit to a specific crypto-channel.
- Dynamic mode—A crypto channel can request a particular service from any available execution unit.

21.4.2.1 Static EU Access

The controller can be configured to assign one or more EUs for a particular crypto-channel. Doing so permits locking the EU to a particular context. When in this mode, the crypto-channel can be used by multiple descriptors representing the same context without unloading and reloading the context at the end of each descriptor. This mode presents considerable performance improvement over dynamic access, but only when the SEC is supporting few (or one) contexts.

21.4.2.2 Dynamic EU Access

Processing begins when a data packet descriptor pointer is written to the fetch register (FR) of one of the crypto-channels. First, the controller dynamically reserves usage of an EU to the crypto-channel. If all appropriate EUs are already dynamically reserved by other crypto-channels, the crypto-channel stalls and waits to fetch data until an appropriate EU is available. If multiple crypto-channels simultaneously request the same EU, the EU is assigned on a weighted priority or round-robin basis.

Once the required EU has been reserved, the crypto-channel fetches and loads the appropriate data packets, operates the EU, unloads data to system memory, and releases the EU for use by another crypto-channel. If a crypto-channel attempts to reserve a statically-assigned EU (and no appropriate EUs are available for dynamic assignment), an interrupt is generated and status indicates an illegal access. When dynamic assignment is used, each encryption/decryption packet descriptor must contain the context and/or keys that are required for the requested operation.

21.4.3 Crypto-Channels

The SEC includes two crypto-channels that manage data and EU function. Each crypto-channel consists of the following:

- Control registers containing information about the transaction in process
- A status register containing an indication of the last unfulfilled bus request
- A pointer register indicating the location of a new descriptor to fetch
- Buffer memory used to store the active data packet descriptor

Crypto-channels analyze the data packet descriptor header and requests the first required cryptographic service from the controller.

After the controller grants access to the required EU, the crypto-channel and the controller perform the following steps:

1. Set the appropriate mode bits available in the EU for the required service.
2. Fetch context and other parameters as indicated in the data packet descriptor buffer and use these to program the EU.
3. Fetch data as indicated and place in either the EU input FIFO or the EU itself (as appropriate).

4. Wait for EU to complete processing.
5. Upon completion, unload results and context and write them to external memory as indicated by the data packet descriptor.
6. If multiple services requested, go back to step 2.
7. Reset the appropriate EU if it is dynamically assigned. Note that if statically assigned, an EU is reset only upon direct command written to the SEC.
8. Perform descriptor completion notification as appropriate. This notification comes in one of two forms—interrupt or header writeback modification—and can occur at the end of every descriptor, at the end of a descriptor chain, or at the end of specially designated descriptors within a chain.

21.4.4 Execution Units (EUs)

‘Execution unit’ is the generic term for a functional block that performs the mathematical permutations required by protocols used in cryptographic processing. The EUs are compatible with IPsec, SSL/TLS, iSCSI, and SRTP processing and can work together to perform high level cryptographic tasks. The SEC execution units are as follows:

- DEU (data encryption standard execution unit) for performing block cipher, symmetric key cryptography using DES and 3DES
- AFEU for performing RC-4 compatible stream cipher symmetric key cryptography
- AESU for performing the advanced encryption standard algorithm
- MDEU for performing security hashing using MD-5, SHA-1, or SHA-256
- RNG for random number generation

21.4.4.1 Data Encryption Standard Execution Unit (DEU)

The DES Execution Unit (DEU) performs bulk data encryption/decryption, in compliance with the Data Encryption Standard algorithm (ANSI x3.92). The DEU can also compute 3DES, an extension of the DES algorithm in which each 64-bit input block is processed three times. The SEC supports two key (K1=K3) or three key 3DES.

The DEU operates by permuting 64-bit data blocks with a shared 56-bit key and an initialization vector (IV). The SEC supports two modes of IV operation: Electronic Code Book (ECB) and Cipher Block Chaining (CBC).

The DEU module computes the Data Encryption Standard algorithm (ANSI X3.92, FIPS 46-2) for block type bulk data encryption. It can also execute either the 2-key or the 3-key variants of the Triple-DES algorithm, which is based on DES. The processor supplies data to the DEU block as input, and the data will be encrypted and subsequently made available to the processor. The session key is input to the block prior to encryption.

DES is a block cipher that uses a 56-bit key (64 bits with CRC) to encrypt 64-bit blocks of data, one block at a time. A conceptual diagram of this process is shown in [Figure 21-2](#). DES is a symmetric algorithm, so each of the two communicating parties share the same 64-bit key for encryption and decryption. DES processing begins after this shared session key is agreed upon. The text or binary message to be encrypted (typically called plaintext) is partitioned into n sets of 64-bit blocks. Each block is processed, in turn, by the DES engine, producing n sets of encrypted (ciphertext) blocks. These blocks may be transmitted to the other entity. Decryption is handled in the reverse manner. The ciphertext blocks are processed one at a time by a DES module in the recipient’s system. The same key is used, and the DES block manages the key processing internally so that the plaintext blocks are recovered.

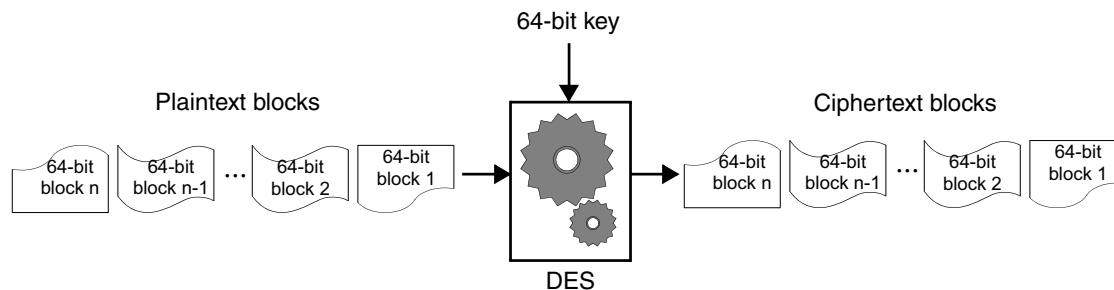


Figure 21-2. DES Encryption Process

In addition, the DEU module can compute Triple-DES. Triple-DES is an extension to the DES algorithm whereby every 64-bit input block is processed three times. A diagram of Triple-DES is shown in [Figure 21-3](#).

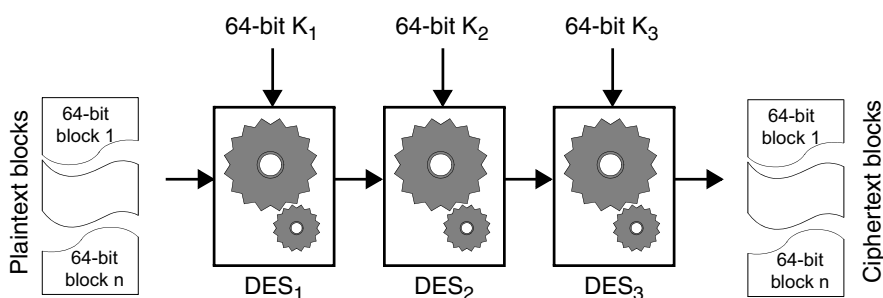


Figure 21-3. Triple-DES Encryption Process (ECB Mode)

21.4.4.2 Arc Four Execution Unit (AFEU)

The AFEU accelerates a bulk encryption algorithm compatible with the RC4 stream cipher from RSA Security, Inc. The algorithm is byte-oriented, meaning a byte of plaintext is encrypted with a key to produce a byte of ciphertext. The key is variable length and the AFEU supports key lengths from 40 to 128 bits (in byte increments), providing a wide range of security strengths. ARC4 is a symmetric algorithm, meaning each of the two communicating parties share the same key.

The AFEU module computes RC4 compatible stream type bulk data encryption. The module processes eight bytes at a time, producing one byte per three clock cycles; therefore, each 64-bit word requires 24 cycles to process. A symmetric cipher, RC4 relies on a shared key (of variable size) to transform between plaintext and ciphertext.

Ciphertext/plaintext computation occurs in RC4 by XORing each byte of input text with a context-dependent output of a substitution box (S-box) to produce output text. The contents of the S-box are customized based on the input n-bit key, and S-box contents are modified with every byte processed.

The AFEU applies the input stream from and collects the output stream into 8-byte (64-bit) buffers, providing an interface consistent with other EUs on the SEC.

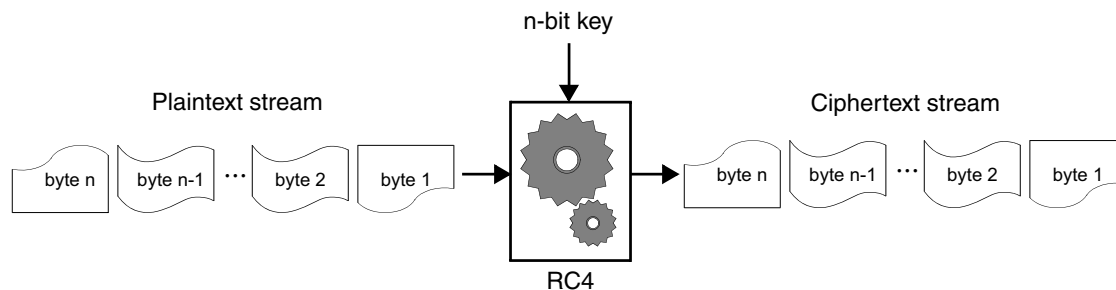


Figure 21-4. RC4 Encryption Process

21.4.4.3 Advanced Encryption Standard Execution Unit (AESU)

The AESU is used to accelerate bulk data encryption/decryption in compliance with the advanced encryption standard algorithm (AES) Rijndael. The AESU executes on 128 bit blocks with a choice of key sizes: 128, 192, or 256 bits.

AESU is a symmetric key algorithm, the sender and receiver use the same key for both encryption and decryption. The session key and initialization vector (CBC mode) are supplied to the AESU module prior to encryption. The processor supplies data to the module that is processed as 128-bit input. The AESU engine performs a fixed number of rounds for encryption or decryption depending on the key size.

Table 21-1. AESA Rounds as a Function of Key Size

Key Size	Rounds	Cycles (after initial key expansion)
128	10	11
192	12	13
256	14	15

AESU operates in ECB, CBC, OCB, and CTR modes.

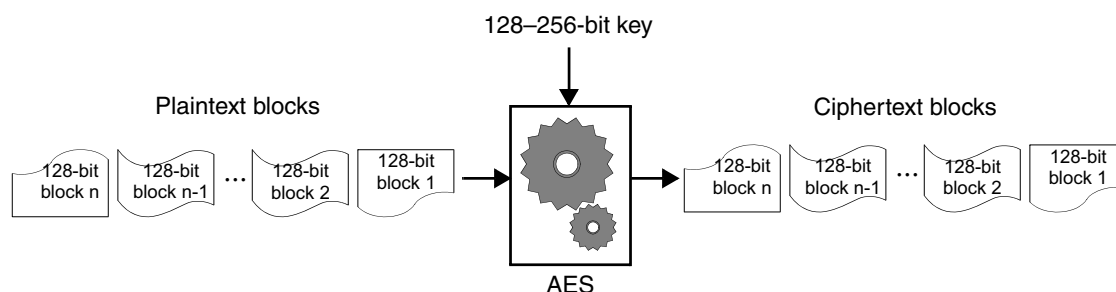


Figure 21-5. AES Encryption Process

21.4.4.4 Message Digest Execution Unit (MDEU)

The MDEU computes a single message digest (or hash or integrity check) value of all the data presented on the input bus, using either the MD5, SHA-1, or SHA-256 algorithms for bulk data hashing.

- The MD5 generates a 128-bit hash, and the algorithm is specified in RFC 1321.
- SHA-1 is a 160-bit hash function, specified by the ANSI X9.30-2 and FIPS 180-1 standards.
- SHA-256 is a 256-bit hash function that provides 256 bits of security against collision attacks.
- The MDEU also supports HMAC computations, as specified in RFC 2104.

With any hash algorithm, the larger message is mapped onto a smaller output space, therefore collisions are potential, albeit not probable. The 160-bit hash value is a sufficiently large space such that collisions are extremely rare. The security of the hash function is based on the difficulty of locating collisions. That is, it is computationally infeasible to construct two distinct but similar messages that produce the same hash output.

This block is useful in many applications including hashing messages to generate digital signatures or computation of a shared secret. The digital signature is typically computed on a small input, however if the data to be signed is large, it is inefficient to sign the entire data. Instead, the large input data is hashed to a smaller value which is then signed. If the message is also sent to the verifying authority along with the signature, the verifying authority can verify the signature by recovering the hash value from the signature using the public key of the sender, hashing the message itself, and then comparing the computed hash value with the recovered hash value. If they match, then the verifying authority is confident that the data was signed by the owner of the private key that matches the public key, where the private key presumably is only known by the sender. This provides a measure of authentication and non-repudiation.

A conceptual block diagram of the MDEU module is shown in [Figure 21-6](#). Multiple input blocks are written to the MDEU module, and at the end, the hash value is read as the 160-bit output for SHA-160, 256-bit output for SHA-256, or 128-bit output for MD5.

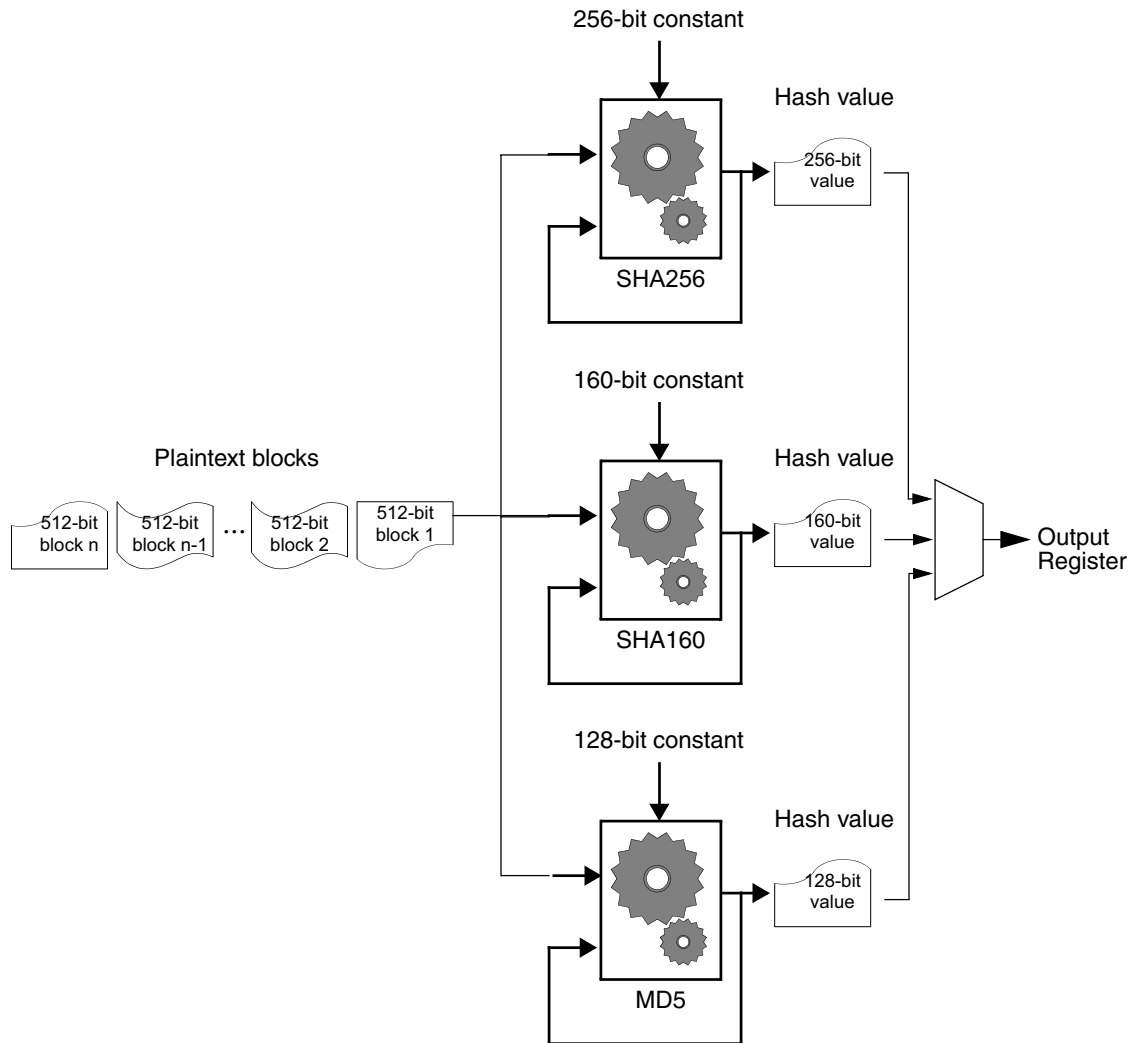


Figure 21-6. MDEU Hashing Process

21.4.4.5 Random Number Generator (RNG)

The RNG is a digital integrated circuit capable of generating 32-bit random numbers. It is designed to comply with FIPS 140-1 standards for randomness and non-determinism.

Because many cryptographic algorithms use random numbers as a source for generating a secret value (a nonce), it is desirable to have a private RNG for use by the SEC. The anonymity of each random number must be maintained, as well as the unpredictability of the next random number. The FIPS-140 'common criteria' compliant private RNG allows the system to develop random challenges or random secret keys. The secret key can thus remain hidden from even the high-level application code, providing an added measure of physical security.

The random number generator is responsible for creating an unpredictable sequence of bits and assembling a string of those bits into a FIFO.

21.5 Memory Map/Register Definition

This section contains the SEC address map. Many of the registers are defined as 64-bit wide, but can be addressed as two longword registers. For example, bits 63–32 of the EU assignment control register are accessed at an MBAR offset of 0x21000. Bits 31–0 are accessed at an MBAR offset of 0x21004.

Table 21-2 shows the base address map for the modules within the SEC.

Table 21-2. SEC Module Base Address Map

MBAR Offset	SEC Module	Description	Type
0x20000–0x200FF	—	Reserved	—
0x21000–0x21FFF	Controller	Arbiter/Controller Control register space	Resource Control
0x22000–0x22FFF	Channel_1	Crypto-channel 1	Data Control
0x23000–0x23FFF	Channel_2	Crypto-channel 2	Data Control
0x24000–0x26FFF	—	Reserved	—
0x28000–0x28FFF	AFEU	ArcFour Execution Unit	Crypto EU
0x2A000–0x2AFFF	DEU	DES Execution Unit	Crypto EU
0x2C000–0x2CFFF	MDEU	Message Digest Execution Unit	Crypto EU
0x2E000–0x2EFFF	RNG	Random Number Generator	Crypto EU
0x32000–0x32FFF	AESU	AES Execution Unit	Crypto EU

Table 21-3 provides the precise address map, including all registers in the execution units. The last column of the table provides a cross reference to the section where the register is described in detail.

Table 21-3. SEC Register Map

Register Offset	Mnemonic	Name	Page
Controller Registers			
0x21000	EUACR	EU Assignment Control	p. 21-1 3
0x21008	SIMR	SEC Interrupt Mask Register	p. 21-1 5
0x21010	SISR	SEC Interrupt Status Register	p. 21-1 5
0x21018	SICR	SEC Interrupt Control Register	p. 21-1 5
0x21020	SIDR	SEC ID Register	p. 21-1 8
0x21028	EUASR	EU Assignment Status Register	p. 21-1 4
0x21030	SMCR	SEC Master Control Register	p. 21-1 8

Table 21-3. SEC Register Map (Continued)

Register Offset	Mnemonic	Name	Page
0x21038	MEAR	Master Error Address Register	p. 21-19
Crypto-Channel 0 (CC0) Registers			
0x2200C	CCCR0	Crypto-Channel Configuration Register	p. 21-21
0x22010	CCPSR0	Crypto-Channel Pointer Status Register	p. 21-23
0x22044	CDPR0	Crypto-Channel Current Descriptor Pointer Register	p. 21-28
0x2204C	FR0	Fetch Register	p. 21-28
0x22080–0x220BF	CDBUF0	Crypto-Channel Descriptor Buffer	p. 21-29
Crypto-Channel 1 (CC1) Registers			
0x2200C	CCCR1	Crypto-Channel Configuration Register	p. 21-21
0x22010	CCPSR1	Crypto-Channel Pointer Status Register	p. 21-23
0x22044	CDPR1	Crypto-Channel Current Descriptor Pointer Register	p. 21-28
0x2204C	FR1	Fetch Register	p. 21-28
0x22080–0x220BF	CDBUF1	Crypto-Channel Descriptor Buffer	p. 21-29
AFEU Registers			
0x28018	AFRCR	AFEU Reset Control Register	p. 21-30
0x28028	AFSR	AFEU Status Register	p. 21-31
0x28030	AFISR	AFEU Interrupt Status Register	p. 21-32
0x28038	AFIMR	AFEU Interrupt Mask Register	p. 21-34
DEU Registers			
0x2A018	DRCR	DEU Reset Control Register	p. 21-36
0x2A028	DSR	DEU Status Register	p. 21-37

Table 21-3. SEC Register Map (Continued)

Register Offset	Mnemonic	Name	Page
0x2A030	DISR	DEU Interrupt Status Register	p. 21-39
0x2A038	DIMR	DEU Interrupt Mask Register	p. 21-41
MDEU Registers			
0x2C018	MDRCR	MDEU Reset Control Register	p. 21-43
0x2C028	MDSR	MDEU Status Register	p. 21-44
0x2C030	MDISR	MDEU Interrupt Status Register	p. 21-45
0x2C038	MDIMR	MDEU Interrupt Mask Register	p. 21-47
RNG Registers			
0x2E018	RRCR	RNG Reset Control Register	p. 21-49
0x2E028	RSR	RNG Status Register	p. 21-50
0x2E030	RISR	RNG Interrupt Status Register	p. 21-52
0x2E038	RIMR	RNG Interrupt Mask Register	p. 21-53
AESU Registers			
0x32018	AESRCR	AESU Reset Control Register	p. 21-54
0x32028	AESSR	AESU Status Register	p. 21-55
0x32030	AESISR	AESU Interrupt Status Register	p. 21-57
0x32038	AESIMR	AESU Interrupt Mask Register	p. 21-58

21.6 Controller

The controller within the SEC core is responsible for overseeing the operations of the EUs, the interface to the host processor, and the management of the crypto-channels. The controller interfaces to the host via the bus interface and to the channels and EUs via internal buses.

All transfers between the host and the EUs are moderated by the controller. Some of the main functions of the controller are as follows:

- Arbitrate and control accesses to the ColdFire bus
- Control the internal bus accesses to the EUs
- Arbitrate and assign EUs to the crypto-channels
- Monitor interrupts from channels and pass to host
- Realign initiator read data to 64-bit boundary

21.6.1 EU Access

Assignment of an EU function to a channel is done either statically or dynamically. In the case of static assignment, an EU is assigned to a channel via the EU Assignment Control Register (EUACR). Once an EU is statically assigned to a channel, it will remain that way until the EUACR is written and the assignment is removed.

In the case of dynamic assignment, the channel requests an EU function, the controller checks to see if the requested EU function is available, and if it is, the controller grants the channel assignment of the EU.

21.6.2 Multiple EU Assignment

In some cases, a channel may request two EUs. The channel will do this by first requesting the primary EU, then requesting the secondary EU. Once the controller has granted both EUs, this channel is then capable of requesting that the secondary EU snoop the bus. Snooping is described in [Table 21-12](#).

In all cases, the controller assigns the primary EU to a requesting channel as the EUs become available. The controller does not wait until both EUs are available before issuing any grants to a channel which is requesting two EU functions.

21.6.3 Multiple Channels

Since there are multiple channels in the SEC, the controller must arbitrate for access to the execution units. Because a channel cannot make instantaneous resource requests, the arbiter in the controller will toggle between channel 1 and channel 2, assuming that both channels are contesting for a given resource, such as the external bus or a particular EU.

21.6.4 Controller Registers

The controller contains the following registers, which are described in detail in the following sections.

- EU assignment control register (EUACR)
- EU assignment status register (EUASR)
- SEC interrupt mask register (SIMR)
- SEC interrupt status register (SISR)
- SEC interrupt control register (SICR)
- SEC ID register (SIDR)
- SEC master control register (SMCR)
- Master error address register (MEAR)

21.6.4.1 EU Assignment Control Register (EUACR)

This register, shown in [Figure 21-7](#), is used to make a static assignment of a EU to a particular crypto-channel. When assigned in this fashion, the EU is inaccessible to any other crypto-channel.

NOTE

The EU assignment control register (EUACR) is used to make, and therefore will reflect, only static assignments.

	63	62	61	60	59	58	57	56	55	54	53	52	51	50	49	48
Field	—				RNG				—				—			
Reset	1111				0000				1111				0000			
R/W	R				R/W				R				R			
	47	46	45	44	43	42	41	40	39	38	37	36	35	34	33	32
Field	—				MDEU				—				AFEU			
Reset	1111				0000				1111				0000			
R/W	R				R/W				R				R/W			
	31	30	29	28	27	26	25	24	23	22	21	20	19	18	17	16
Field	—				DEU				—				AESU			
Reset	1111				0000				1111				0000			
R/W	R				R/W				R				R/W			
	15	14	13	12	11	10	9	8	7	6	5	4	3	2	1	0
Field	—				—				—							
Reset	1111				1111				0000							
R/W	R				R				R							
Reg Addr	MBAR + 0x21000															

Figure 21-7. EU Assignment Control Register (EUACR)

[Table 21-4](#) describes the EUACR fields.

Table 21-4. EUACR Field Descriptions

Bits	Name	Description
63–0	See Figure 21-7	Static Channel Assignment. Each field corresponds to one of the SEC EUs. The field indicates if the EU is currently assigned to one of the two channels as shown in Table 21-5 . Writing any of the defined values shown in Table 21-5 to any of the fields in the EUACR statically assigns the EU to that specific channel. To release, the host must write 0x0 to the specified EU field of the EUACR.

Table 21-5. Channel Assignment Value

Value	Channel
0x0	No channel assigned
0x1	Channel 0
0x2	Channel 1
0x3–0xE	Reserved
0xF	EU is not statically assigned to any channel and is not allowed to be dynamically assigned to a channel.

21.6.4.2 EU Assignment Status Register (EUASR)

The EUASR, shown in Figure 21-8, is used to check the assignment status (static or dynamic) of an EU to a particular crypto-channel. When an EU is already assigned, it is inaccessible to any other crypto-channel.

A four-bit field indicates the channel to which an EU is assigned, whether statically or dynamically.

	63	62	61	60	59	58	57	56	55	54	53	52	51	50	49	48
Field	—				RNG				—				—			
Reset	1111				0000				1111				0000			
R/W	R				R/W				R				R			
	47	46	45	44	43	42	41	40	39	38	37	36	35	34	33	32
Field	—				MDEU				—				AFEU			
Reset	1111				0000				1111				0000			
R/W	R				R/W				R				R/W			
	31	30	29	28	27	26	25	24	23	22	21	20	19	18	17	16
Field	—				DESU				—				AESU			
Reset	1111				0000				1111				0000			
R/W	R				R/W				R				R/W			
	15	14	13	12	11	10	9	8	7	6	5	4	3	2	1	0
Field	—				—				—				—			
Reset	1111				1111				0000				0000			
R/W	R				R				R				R			
Reg Addr	MBAR + 0x21028															

Figure 21-8. EU Assignment Status Register (EUASR)

Table 21-6. EUASR Field Descriptions

Bits	Name	Description
63–0	See Figure 21-8	Channel Assignment. Each field corresponds to one of the SEC EUs. The field indicates if the EU is currently assigned to one of the two channels as shown in Table 21-5 .

21.6.4.3 SEC Interrupt Mask Register (SIMR)

The SEC generates a single interrupt output from all possible interrupt sources. These sources can be masked by the SIMR. If unmasked, the interrupt source value, when active, is captured into the SEC interrupt status register (SISR). [Figure 21-9](#) shows the bit positions of each potential interrupt source. Each interrupt source is individually masked by setting its corresponding bit.

[Figure 21-9](#) shows the bit positions of each potential interrupt source.

21.6.4.4 SEC Interrupt Status Register (SISR)

The SEC interrupt status register (SISR) contains fields representing all possible sources of interrupts. The SISR is cleared either by a reset, or by writing the appropriate bits active in the SEC interrupt control register (SICR).

[Figure 21-9](#) shows the bit positions of each potential interrupt source.

21.6.4.5 SEC Interrupt Control Register (SICR)

The SEC interrupt control register (SICR) provides a means of clearing the SISR. When a bit in the SICR is written with a 1, the corresponding bit in the SISR is cleared, clearing the interrupt output pin \overline{IRQ} (assuming the cleared bit in the SISR is the only interrupt source). If the input source to the SISR is a steady-state signal that remains active, the appropriate SISR bit, and subsequently \overline{IRQ} , will be reasserted shortly thereafter. The complete bit definitions for the SICR can be found in [Figure 21-9](#).

When an SICR bit is written, it will automatically clear itself one cycle later. That is, it is not necessary to write a 0 to a bit position which has been written with a 1.

NOTE

Interrupts are registered and sent based upon the conditions which cause them. If the cause of an interrupt is not removed, the interrupt will return a few cycles after it has been cleared using the SICR.

	63	62	61	60	59	58	57	56	55	54	53	52	51	50	49	48
Field	CHA_1		CHA_0		AERR	—										
Definition	ERR	DN	ERR	DN												
Reset	0x0000															
R/W	W															
Reg Addr	0x21008 (SIMR), 0x 21010 (SISR), 0x21018 (SICR)															
	47	46	45	44	43	42	41	40	39	38	37	36	35	34	33	32
Field	—															
Definition																
Reset	0x0000															
R/W	W															
Reg Addr	0x21008 (SIMR), 0x 21010 (SISR), 0x21018 (SICR)															
	31	30	29	28	27	26	25	24	23	22	21	20	19	18	17	16
Field	—				RNG		—		AFEU		—		MDEU			
Definition					ERR	DN			ERR	DN			ERR	DN		
Reset	0x0000															
R/W	R/W															
Reg Addr	0x21008 (SIMR), 0x 21010 (SISR), 0x21018 (SICR)															
	15	14	13	12	11	10	9	8	7	6	5	4	3	2	1	0
Field	—		AESU		—		DEU		—		TEA		—			
Definition			ERR	DN			ERR	DN								
Reset	0x0000															
R/W	R/W															
Reg Addr	MBAR + 0x21008 (SIMR), 0x 21010 (SISR), 0x21018 (SICR)															

Figure 21-9. SEC Interrupt Mask, Status, and Control Registers (SIMR, SISR, and SICR)

Table 21-7 describes the SIMR, SISR, and SICR fields.

Table 21-7. SIMR, SISR, and SICR Field Descriptions

Bits	Name	Description
63, 61	CH_n_ERR_DN	Channel error. Each of the channels has an error bit. 0 No error detected. 1 Error detected. Indicates that execution unit status register must be read to determine exact cause of the error.
62, 60	CH_n_DN	Channel done. Each of the channels has a done bit. 0 Not DONE. 1 DONE bit indicates that the interrupting channel or EU has completed its operation.
59	AERR	Assignment Error bit. This bit indicates that a static assignment of a EU was attempted on a EU which is currently in use. 0 No error detected. 1 EU Assignment Error detected.
58–26	—	Reserved, should be cleared.
25, 21, 17, 13, 9	EU_x_ERR	EU error. Each of the execution units has an error bit. 0 No error detected. 1 Error detected. Indicates that execution unit status register must be read to determine exact cause of the error.
24, 20, 16, 12, 8	EU_x_DN	EU done. Each of the execution units has a done bit. 0 Not DONE. 1 DONE bit indicates that the interrupting channel or EU has completed its operation.
23–22, 19–18, 15–14, 11–10, 7	—	Reserved, set to zero.
6	TEA	Transfer Error Acknowledge. Set when the SEC as a master receives a Transfer Error Acknowledge. 0 No error detected. 1 TEA detected on Coldfire bus.
5–0	—	Reserved, set to zero.

21.6.4.6 SEC ID Register (SIDR)

The read-only SEC ID register, displayed in [Figure 21-10](#), contains a 32-bit value that uniquely identifies the version of the SEC. The value of this register is always 0x0900_0000.

	31	30	29	28	27	26	25	24	23	22	21	20	19	18	17	16
R	Version															
W																
Reset	0	0	0	0	1	0	0	1	0	0	0	0	0	0	0	0
Reg Addr	MBAR + 0x 21020															
	15	14	13	12	11	10	9	8	7	6	5	4	3	2	1	0
R	Version															
W																
Reset	0	0	0	0	0	0	0	0	0	0	0	0	0	0	0	0
Reg Addr	MBAR + 0x 21020															

Figure 21-10. ID Register (SIDR)

21.6.4.7 SEC Master Control Register (SMCR)

The SEC master control register (SMCR), shown in [Figure 21-11](#), controls certain functions in the controller and provides a means for software to reset the SEC.

	31	30	29	28	27	26	25	24	23	22	21	20	19	18	17	16	
R	0	0	0	0	0	0	0	SWR	0	0	0	0	0	0	0	0	
W																	
Reset	0	0	0	0	0	0	0	0	0	0	0	0	0	0	0	0	
Reg Addr	MBAR + 0x 21030																
	15	14	13	12	11	10	9	8	7	6	5	4	3	2	1	0	
R	0	0	0	0	0	0	0	0	CURR_CHAN			0	0	0	0		
W																	
Reset	0	0	0	0	0	0	0	0	0	0	0	0	0	0	0	0	
Reg Addr	MBAR + 0x 21030																

Figure 21-11. SEC Master Control Register (SMCR)

Table 21-8 describes the SMCR fields.

Table 21-8. SMCR Field Descriptions

Bits	Name	Description
31–25	—	Reserved
24	SWR	Software Reset. Writing 1 to this bit will cause a global software reset. Upon completion of the reset, this bit will be automatically cleared. 0 Don't reset 1 Global Reset
23–8	—	Reserved
7–4	CURR_CHAN	Current Channel. These bits are read only. They indicate the channel number that is currently in use by the controller as a master on the XLB bus. The possible values are: 0000 - No Channel is currently in use. 0001 - Channel 0 is in use. 0010 - Channel 1 is in use.
3–0	—	Reserved

21.6.4.8 Master Error Address Register (MEAR)

This register saves the address of the transaction whose data phase was terminated with a TEA or Master Parity Error. A Transfer Error Acknowledge (\overline{TEA}) signal indicates a fatal error has occurred during the data phase of a bus transaction. Invalid data may have been received and stored prior to the receipt of the \overline{TEA} . The channel that was initiating the transaction will be evident from that channel's error interrupt. Software may choose to reset the channel reporting the \overline{TEA} , reset the whole SEC, or reset the entire system. In any case, the host may choose to preserve this \overline{TEA} information prior to reset to assist in debug.

The MEAR only holds the address of the first error reported, in the event multiple errors are received before the first is cleared.

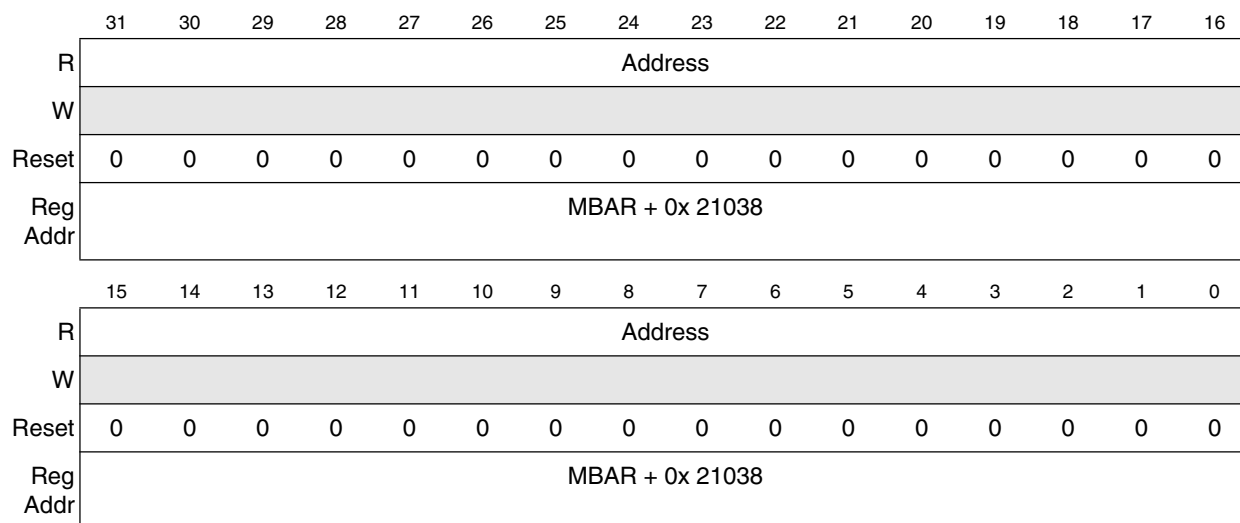


Figure 21-12. Master Error Address Register (MEAR)

Table 21-9 defines the MEAR fields.

Table 21-9. MEAR Field Descriptions

Bits	Name	Description
31–0	ADDRESS	Target address of the transaction when TEA was received.

21.7 Channels

A crypto-channel manages data associated with the one or more execution units (EUs). Control and data information for a given task is stored in the form of data packet descriptors in system memory. The descriptor describes how the EU should be initialized, where to fetch the data to be ciphered and where to store the ciphered data the EU outputs. Through a series of requests to the controller, the crypto-channel decodes the contents of the descriptors to perform the following functions:

- Request assignment of one or more of the several EUs for the exclusive use of the channel.
- Request assignment of the MDEU when the descriptor header calls for multi-operation processing. The MDEU will be configured to snoop input or output data intended for the primary assigned EU.
- Reset assigned EU(s).
- Automatically initialize mode registers in the assigned EU upon notification of completion of the EU reset sequence.
- Automatically initialize the key and key size in the assigned EU after requesting a write to EU key address space.
- Automatically initialize data size in the assigned EU before requesting a write to EU FIFO address space.
- Transfer data packets (up to 32Kbytes) from system memory (master read) into assigned EU input registers and FIFOs (EU write).
- Transfer data packets (up to 32Kbytes) from assigned EU output registers and FIFOs (EU read) to system memory space (master write).
- Release assigned EU(s).
- Automatically fetch the next descriptor from system memory and start processing, when chaining is enabled. Descriptor chains can be of unlimited size.
- Provide feedback to host, via interrupt, when a descriptor, or a chain of descriptors, has been completely processed.
- Provide feedback to host, via modified descriptor header write back to system memory, when a descriptor, or a chain of descriptors, has been completely processed.
- Provide feedback to host, via interrupt, when descriptor processing is halted due to an error.
- Detect static assignment of EU(s) by the controller and alter descriptor processing flow to skip EU request and EU release steps. The channel will also automatically reset the EU_DONE interrupt after receiving indication that processing of input data has been completed by the EU.

The channel will wait indefinitely for the controller to complete a requested activity before continuing to process a descriptor.

21.7.1 Crypto-Channel Registers

Each crypto-channel contains the following registers:

- Crypto-channel configuration register (CCCR n)
- Crypto-channel pointer status register (CCPSR n)
- Current descriptor pointer register (CDPR n)

- Fetch register (FR_n)
- Data packet descriptor buffer ($CFBUF_n$)

21.7.1.1 Crypto-Channel Configuration Registers (CCCR n)

This register contains five operational bits permitting configuration of the crypto-channel as shown in Figure 21-13.

	31	30	29	28	27	26	25	24	23	22	21	20	19	18	17	16
R	0	0	0	0	0	0	0	0	0	0	0	0	0	0	0	0
W																
Reset	0	0	0	0	0	0	0	0	0	0	0	0	0	0	0	0
Reg Addr	MBAR + 0x2200C (CCCR0), 0x2300C (CCCR1)															
	15	14	13	12	11	10	9	8	7	6	5	4	3	2	1	0
R	0	0	0	0	0	BURST_SIZE			0	0	0	WE	NE	NT	CDIE	RST
W																
Reset	0	0	0	0	0	0	0	0	0	0	0	0	0	0	0	0
Reg Addr	MBAR + 0x2200C (CCCR0), 0x2300C (CCCR1)															

Figure 21-13. Crypto-Channel Configuration Register (CCCR n)

Table 21-10 describes the CCCR_n fields.

Table 21-10. CCCR_n Field Descriptions

Bits	Name	Description
31–11	—	Reserved, should be cleared.
10–8	BURST SIZE	The SEC implements flow control to allow larger than FIFO sized blocks of data to be processed with a single key/IV. The channel programs the various execution units to advise on space or data available in the FIFO via this field. The size of the burst is given in Table 21-11
7–5	—	Reserved, should be cleared.
4	WE	Writeback Enable. This bit determines if the crypto-channel is allowed to notify the host of the completion of descriptor processing by writing back a value of 0xFF to the first byte of the descriptor header. This enables the host to poll the memory location of the original descriptor header to determine if that descriptor has been completed. 0 Descriptor header writeback notification is disabled. 1 Descriptor header writeback notification is enabled. Note: Header writeback notification will occur at the end of every descriptor if NOTIFICATION_TYPE is set to end-of-descriptor and Writeback_Enable is set. Writeback will occur only after the last descriptor in the chain (Next Descriptor Pointer is NULL) if NOTIFICATION_TYPE is set to end-of-chain.
3	NE	Fetch Next Descriptor Enable. This bit determines if the crypto-channel is allowed to request a transfer of the next descriptor, in a multi-descriptor chain, into its descriptor buffer. 0 Disable fetching of next descriptor when crypto-channel has finished processing the current one. 1 Enable fetching of next descriptor when crypto-channel has finished processing the current one. The address of the next descriptor in a multi-descriptor chain is either the contents of the next descriptor pointer in the descriptor buffer or the contents of the fetch register. Only if both of these registers are NULL upon completion of the descriptor currently being processed will that descriptor be considered the end of the chain.
2	NT	Channel DONE Notification Type. This bit controls when the crypto-channel will generate Channel DONE Notification. 0 End-of-chain: The crypto-channel will generate channel done notification (if enabled) when it completes the processing of the last descriptor in a descriptor chain. The last descriptor is identified by having NULL loaded into both the next descriptor pointer in the descriptor buffer and the fetch register. 1 End-of-descriptor: The crypto-channel will generate channel done notification (if enabled) at the end of every data descriptor it processes Channel DONE notification can take the form of an interrupt or modified header writeback or both, depending on the state of the CDIE and WE control bits.
1	CDIE	Channel DONE Interrupt Enable. This bit determines whether or not the crypto-channel is allowed to assert interrupts to notify the host that the channel has completed descriptor processing. 0 Channel Done interrupt disabled 1 Channel Done interrupt enabled When CDIE is set, the NT control bit determines when the CHANNEL_DONE interrupt is asserted. Channel error interrupts are asserted as soon as the error is detected.
0	RST	Reset Crypto-Channel. This bit allows for a software reset of the crypto-channel. 0 Automatically cleared by the crypto-channel when reset sequence is complete. 1 Reset the registers and internal state of the crypto-channel, any EU assigned to the crypto-channel and the controller state associated with the crypto-channel.

Table 21-11 defines the burst size according to the value displayed in the BURST_SIZE field.

Table 21-11. Burst Size Definition

Value	Number of Longwords in Burst
000	2
001	8
010	16
011	24
100	32
101	40
110	48
111	56

21.7.1.2 Crypto-Channel Pointer Status Registers (CCPSR_n)

This register contains status fields and counters which provide the user with status information regarding the channel's actual processing of a given descriptor.

	63	62	61	60	59	58	57	56	55	54	53	52	51	50	49	48
R	0	0	0	0	0	0	0	0	0	0	0	0	0	0	0	0
W																
Reset	0	0	0	0	0	0	0	0	0	0	0	0	0	0	0	0
	47	46	45	44	43	42	41	40	39	38	37	36	35	34	33	32
R	0	0	0	0	0	0	0	0	STATE							
W																
Reset	0	0	0	0	0	0	0	0	0	0	0	0	0	0	0	0
	31	30	29	28	27	26	25	24	23	22	21	20	19	18	17	16
R	0	0	0	0	0	STAT	MI	MO	PR	SR	PG	SG	PRD	SRD	PD	SD
W																
Reset	0	0	0	0	0	0	0	0	0	0	0	0	0	0	0	0
	15	14	13	12	11	10	9	8	7	6	5	4	3	2	1	0
R	0	0	TEA	PERR	0	DERR	SERR	EUERR	PAIR_PTR							
W																
Reset	0	0	0	0	0	0	0	0	0	0	0	0	0	1	1	1
Reg Addr	MBAR + 0x22010 (CCPSR0), 0x23010 (CCPSR1)															

Figure 21-14. Crypto-Channel Pointer Status Register (CCPSR_n)

Table 21-12 describes the CCPSR fields.

Table 21-12. CCPSR_n Field Descriptions

Bits	Name	Description
63–40	—	Reserved, set to zero
39–32	STATE	State of the crypto-channel state machine. This field reflects the state of the crypto-channel control state machine. The value of this field indicates exactly which stage the crypto-channel is in the sequence of fetching and processing data descriptors. Table 21-13 shows the meaning of all possible values of the STATE field. State is documented for information only. The user will not typically care about the crypto-channel state machine.
31–27	—	Reserved, set to zero
26	STAT	Crypto-Channel Static Mode Enable. The STAT bit is set when descriptor processing is initiated and the EUs indicated in the descriptor header register are already assigned to the channel. This bit is cleared when descriptor processing is initiated for the next descriptor and no EUs are assigned to the channel. 0 Crypto-channel is operating in dynamic mode. 1 Crypto-channel is operating in static mode.
25	Multi_EU_IN	Multi_EU_IN. Reflects the type of snooping the channel will perform, as programmed by the “Snoop Type” bit in the descriptor header. 0 Data input snooping by secondary EU disabled. 1 Data input snooping by secondary EU enabled.
24	Multi_EU_OUT	Multi_EU_OUT. Reflects the type of snooping the channel will perform, as programmed by the “Snoop Type” bit in the descriptor header. 0 Data output snooping by secondary EU disabled. 1 Data output snooping by secondary EU enabled.
23	PR	Primary request. Request primary EU assignment. 0 Primary EU Assignment Request is inactive. 1 The crypto-channel is requesting assignment of primary EU to the channel. The channel will assert the EU request signal indicated by the PEUSEL field in the descriptor header as long as this bit remains set. The PR bit is set when descriptor processing is initiated in dynamic mode and the PEUSEL field in the descriptor header contains a valid EU identifier. This bit is cleared when the request is granted, which will be reflected in the status register by the setting the PG bit.
22	SR	Secondary request. Request secondary EU assignment. 0 Secondary EU Assignment Request is inactive. 1 The crypto-channel is requesting assignment of secondary EU to the channel. The channel will assert the EU request signal indicated by the SEUSEL field in the descriptor header register as long as this bit remains set. The SR bit is set when descriptor processing is initiated in dynamic mode and the SEUSEL field in the descriptor header contains a valid EU identifier. This bit is cleared when the request is granted, which will be reflected in the status register by the setting the SG bit.
21	PG	Primary EU granted. Reflects the state of the EU grant signal for the requested primary EU from the controller. 0 The primary EU grant signal is inactive. 1 The EU grant signal is active indicating the controller has assigned the requested primary EU to the channel.

Table 21-12. CCPSR_n Field Descriptions (Continued)

Bits	Name	Description
20	SG	Secondary EU granted. Reflects the state of the EU grant signal for the requested secondary EU from the controller. 0 The secondary EU grant signal is inactive. 1 The EU grant signal is active indicating the controller has assigned the requested secondary EU to the channel.
19	PRD	Primary EU reset done. Reflects the state of the reset done signal from the assigned primary EU. 0 The assigned primary EU reset done signal is inactive. 1 The assigned primary EU reset done signal is active indicating its reset sequence has completed and it is ready to accept data.
18	SRD	Secondary EU reset done. Reflects the state of the reset done signal from the assigned secondary EU. 0 The assigned secondary EU reset done signal is inactive. 1 The assigned secondary EU reset done signal is active indicating its reset sequence has completed and it is ready to accept data.
17	PD	Primary EU done. Reflects the state of the done interrupt from the assigned primary EU. 0 The assigned primary EU done interrupt is inactive. 1 The assigned primary EU done interrupt is active indicating the EU has completed processing and is ready to provide output data.
16	SD	Secondary EU done. Reflects the state of the done interrupt from the assigned secondary EU. 0 The assigned secondary EU done interrupt is inactive. 1 The assigned secondary EU done interrupt is active indicating the EU has completed processing and is ready to provide output data.
15–14	—	Reserved, should be cleared.
13	TEA	Transfer error acknowledge. When the SEC is a bus master and detects a TEA, the controller passes the TEA to the channel in use. The channel halts and outputs an interrupt. The channel can only be restarted by resetting the channel or the entire SEC. 0 No error. 1 Transfer error acknowledge received from the bus interface.
12	PERR	Pointer not complete error. Caused by an invalid write to the next descriptor register in the descriptor buffer, or to the fetch register. 0 No error. 1 Pointer not complete error.
11	—	Reserved, should be cleared.
10	DERR	Descriptor error. The channel has detected an illegal descriptor header. 0 No error. 1 Descriptor error.
9	SERR	Static assignment error. Either the EU is statically assigned to a different channel or the dynamic assignment request cannot be filled because all suitable EUs are otherwise statically assigned. 0 No error. 1 Static assignment error.

Table 21-12. CCPSR_n Field Descriptions (Continued)

Bits	Name	Description
8	EUERR	EU error. An EU assigned to this channel has generated an error interrupt. This error may also be reflected in the controller's SISR. The EUERR bit can only be cleared by first clearing the error source in the assigned EU which caused it to be set. 0 No error. 1 EU error.
7-0	PAIR_PTR	Descriptor buffer register length/pointer pair. This field indicates which of the length/pointer pairs are currently being processed by the channel. 0x0 Processing header or length/pointer pair 0. 0x1 Processing length/pointer pair 1. 0x2 Processing length/pointer pair 2. 0x3 Processing length/pointer pair 3. 0x4 Processing length/pointer pair 4. 0x5 Processing length/pointer pair 5. 0x6 Processing length/pointer pair 6. 0x7 Complete (or not yet begun) processing of header and length/pointer pairs 0x8-0xFF Reserved

Table 21-13 shows the values of crypto-channel states.

Table 21-13. STATE Field Values

Value	Crypto-Channel State
0x00	Idle
0x01	Processing header
0x02	Fetching descriptor
0x03	Channel done
0x04	Channel done irq
0x05	Channel done writeback
0x06	Channel done notification
0x07	Channel_error
0x08	Request primary EU
0x09	Inc data pair pointer
0x0A	Delay data pair update
0x0B	Evaluate data pairs
0x0C	Write reset primary
0x0D	Release primary EU
0x0E	Write reset secondary
0x0F	Release secondary EU
0x10	Process data pairs
0x11	Write mode primary

Table 21-13. STATE Field Values (Continued)

Value	Crypto-Channel State
0x12	Write mode secondary
0x13	Write datasize primary
0x14	Delay rng done
0x15	Write datasize secondary multi EU in
0x16	Trans request read multi EU in
0x17	Delay primary secondary done
0x18	Trans request read
0x19	Write key size
0x1A	Write EU go
0x1B	Delay primary done
0x1C	Write reset irq primary
0x1D	Write reset irq secondary
0x1E	Write datasize secondary snoopout
0x1F	Trans request write snoopout
0x20	Delay secondary done
0x21	Trans request write
0x22	Evaluate reset
0x23	Reset write reset primary
0x24	Reset release primary EU
0x25	Reset write reset secondary
0x26	Reset release secondary EU
0x27	Reset channel
0x28	Write datasize primary post
0x29	Reset release all
0x2A	Reset release all delay
0x2B	Request secondary EU
0x2C	Write datasize secondary
0x2D	Write primary EU go multi EU out
0x2E	Write secondary EU go multi EU out
0x2F	Write primary EU go multi EU in
0x30	Write secondary EU go multi EU in
0x31	Write datasize primary delay
0x32–0xFF	Reserved

21.7.1.3 Crypto-Channel Current Descriptor Pointer Register (CDPR_n)

The CDPR, shown in [Figure 21-15](#), contains the address of the data packet descriptor which the crypto-channel is currently processing. This register, along with the PAIR_PTR in the CCPSR, can be used to determine if a new descriptor can be safely inserted into a chain of descriptors.

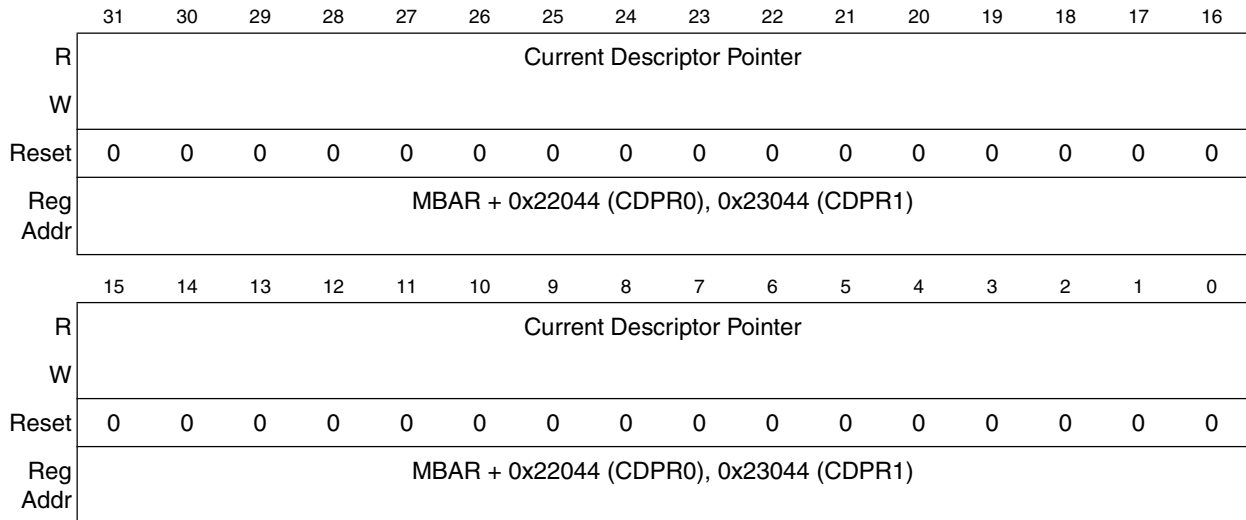


Figure 21-15. Crypto-Channel Current Descriptor Pointer Register (CDPR_n)

[Table 21-14](#) describes the CDPR_n fields.

Table 21-14. CDPR_n Field Descriptions

Bits	Name	Description
31–0	Current Descriptor Pointer	Current descriptor pointer address. Pointer to system memory location of the current descriptor. This field reflects the starting location in system memory of the descriptor currently loaded into the DB. This value is updated whenever the crypto-channel requests a fetch of a descriptor from the controller. Either the value of the fetch register or the next descriptor pointer in the current descriptor is transferred to the current descriptor pointer register immediately after the fetch is completed. This address will be used as destination of the write back of the modified header, if header writeback notification is enabled. If a descriptor is written directly into the descriptor buffer, the host is responsible for writing a meaningful pointer value into the Current Descriptor Pointer field.

21.7.1.4 Fetch Register (FR_n)

The FR, displayed in [Figure 21-16](#), contains the address of the first byte of a descriptor to be processed. In typical operation, the host CPU will create a descriptor in memory containing all relevant mode and location information for the SEC, and then “launch” by writing the address of the descriptor to the fetch register.

Writes to the FR, while the channel is already processing a different descriptor, will be registered and held pending until the channel finishes processing the current descriptor or chain of descriptors. When the end of the current descriptor or chain of descriptors is reached, the descriptor pointed to by the FR will be treated as the next descriptor in a multi-descriptor chain. In this case, the FR must be written to before the channel begins end of descriptor notification. If the register is written after notification has begun, the

descriptor will not be considered part of the current chain and will be fetched as a new stand-alone descriptor or start of chain after the notification process has completed.

In summary, a channel is initiated by a direct write to the FR, and the channel always checks the FR before determining if it has truly reached the end of a chain.

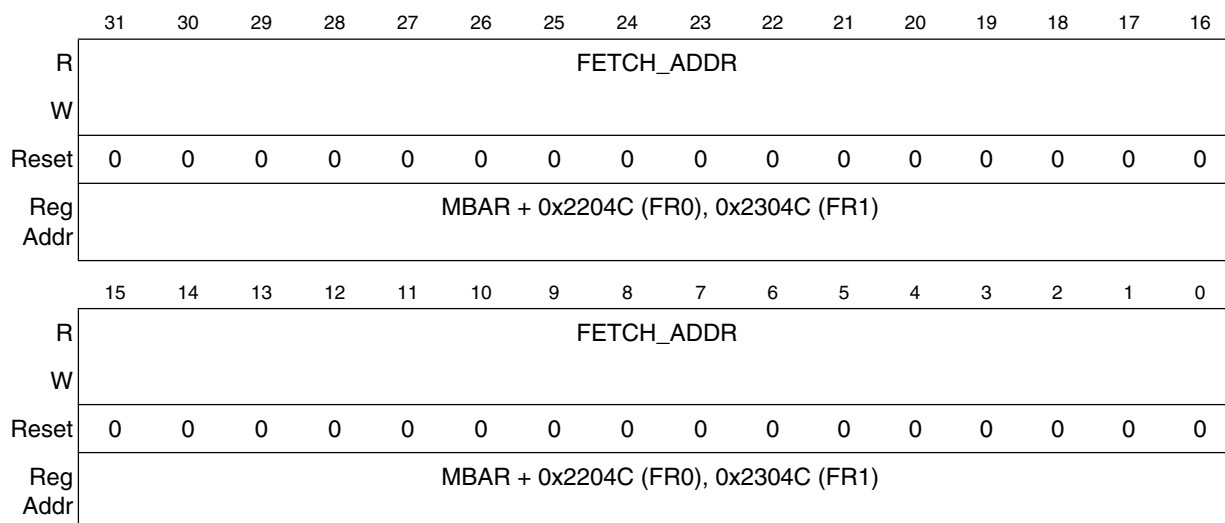


Figure 21-16. Fetch Register (FR n)

Table 21-15 describes the FR n fields.

Table 21-15. FR n Field Descriptions

Bits	Name	Description
31–0	FETCH ADDR	Fetch address. Pointer to system memory location of a descriptor the host wants the SEC to fetch.

21.7.1.5 Data Packet Descriptor Buffer (CDBUF n)

This bank of eight registers stores the header, followed by length/pointer pairs, followed by a next data packet descriptor pointer. These registers fully describe the service the SEC is to perform. The header indicates the precise service (Single-DES CBC encryption or generate random numbers are two examples), and the length/pointer pairs indicate the number and location of data and context information needed to complete the service.

21.8 ARC Four Execution Unit (AFEU)

This section contains details about the ARC Four Execution Unit (AFEU), including register details.

21.8.1 AFEU Register Map

The registers used in the AFEU are documented primarily for debug and target mode operations. The AFEU contains the following registers:

- Reset control register
- Status register
- Interrupt status register
- Interrupt mask register

21.8.2 AFEU Reset Control Register (AFRCR)

This register, as shown in Figure 20-17, allows three levels of reset that effect the AFEU only, as defined by three self-clearing bits. It should be noted that the AFEU executes an internal reset sequence for hardware reset, software reset, or module initialization, which performs proper initialization of the S-Box. To determine when this is complete, observe the RD bit in the AFEU status register.

	31	30	29	28	27	26	25	24	23	22	21	20	19	18	17	16
R	0	0	0	0	0	RI	MI	SR	0	0	0	0	0	0	0	0
W																
Reset	0	0	0	0	0	0	0	0	0	0	0	0	0	0	0	0
Reg Addr	MBAR + 0x 21018															
	15	14	13	12	11	10	9	8	7	6	5	4	3	2	1	0
R	0	0	0	0	0	0	0	0	0	0	0	0	0	0	0	0
W																
Reset	0	0	0	0	0	0	0	0	0	0	0	0	0	0	0	0
Reg Addr	MBAR + 0x 21018															

Figure 21-17. AFEU Reset Control Register (AFRCR)

[Table 21-16](#) describes AFEU reset control register fields.

Table 21-16. AFRCR Field Descriptions

Bits	Name	Description
31–27	—	Reserved, should be cleared.
26	RI	Reset interrupt. Writing this bit active high causes AFEU interrupts signalling DONE and ERROR to be reset. It further resets the state of the AFEU interrupt status register. 0 Do not reset 1 Reset interrupt logic
25	MI	Module initialization is nearly the same as software reset, except that the interrupt control register remains unchanged. 0 Do not reset 1 Reset most of AFEU
24	SR	Software reset is functionally equivalent to hardware reset (the $\overline{\text{RSTI}}$ pin), but only for the AFEU. All registers and internal state are returned to their defined reset state. After the reset completes, the AFEU will enter a routine to perform proper initialization of the S-Box. 0 Do not reset 1 Full AFEU reset
23-0	—	Reserved, should be cleared.

21.8.3 AFEU Status Register (AFSR)

This status register, shown in Figure 20-18, contains 6 bits which reflect the state of the AFEU internal signals. The AFEU status register is read-only. Writing to this location will result in address error being reflected in the AFEU interrupt status register.

	31	30	29	28	27	26	25	24	23	22	21	20	19	18	17	16
R	0	0	HALT	IFW	OFR	IE	ID	RD	0	0	0	0	0	0	0	0
W	—															
Reset	0	0	0	0	0	0	0	0	0	0	0	0	0	0	0	0
Reg Addr	MBAR + 0x28028															
	15	14	13	12	11	10	9	8	7	6	5	4	3	2	1	0
R	0	0	0	0	0	0	0	0	0	0	0	0	0	0	0	0
W	—															
Reset	0	0	0	0	0	0	0	0	0	0	0	0	0	0	0	0
Reg Addr	MBAR + 0x28028															

Figure 21-18. AFEU Status Register (AFSR)

Table 21-17 describes AFEU status register fields.

Table 21-17. AFSR Field Descriptions

Bits	Name	Description
31–30	—	Reserved, should be cleared.
29	HALT	Halt. Indicates that the AFEU has halted due to an error. 0 AFEU not halted 1 AFEU halted Note: Because the error causing the AFEU to stop operating may be masked in the interrupt status register, the status register is used to provide a second source of information regarding errors preventing normal operation.
28	IFW	Input FIFO writable. The controller uses this signal to determine if the AFEU can accept the next BURST SIZE block of data. 0 AFEU Input FIFO not ready 1 AFEU Input FIFO ready Note: The SEC implements flow control to allow larger than FIFO sized blocks of data to be processed with a single key/IV. The AFEU signals to the crypto-channel that a ‘burst size’ amount of space is available in the FIFO.
27	OFR	Output FIFO readable. The controller uses this signal to determine if the AFEU can source the next burst size block of data. 0 AFEU Output FIFO not ready 1 AFEU Output FIFO ready Note: The SEC implements flow control to allow larger than FIFO sized blocks of data to be processed with a single key/IV. The AFEU signals to the crypto-channel that a “Burst Size” amount of data is available in the FIFO.
26	IE	Interrupt error. This status bit reflects the state of the ERROR interrupt signal, as sampled by the controller interrupt status register (Section 21.6.4.4, “SEC Interrupt Status Register (SISR)”). 0 AFEU is not signaling error 1 AFEU is signaling error
25	ID	Interrupt done. This status bit reflects the state of the DONE interrupt signal, as sampled by the controller interrupt status register (Section 21.6.4.4, “SEC Interrupt Status Register (SISR)”). 0 AFEU is not signaling done 1 AFEU is signaling done
24	RD	Reset done. This status bit, when set, indicates that AFEU has completed its reset sequence, as reflected in the signal sampled by the appropriate crypto-channel. 0 Reset in progress 1 Reset done
23–0	—	Reserved, should be cleared.

21.8.4 AFEU Interrupt Status Register (AFISR)

The interrupt status register, seen in Figure 20-19, tracks the state of possible errors, if those errors are not masked via the AFEU interrupt mask register.

	31	30	29	28	27	26	25	24	23	22	21	20	19	18	17	16
R	ME	AE	OFE	IFE	0	IFO	OFU	0	0	0	0	IE	ERE	CE	KSE	DSE
W																
Reset	0	0	0	0	0	0	0	0	0	0	0	0	0	0	0	0
Reg Addr	MBAR + 0x28030															
	15	14	13	12	11	10	9	8	7	6	5	4	3	2	1	0
R	0	0	0	0	0	0	0	0	0	0	0	0	0	0	0	0
W																
Reset	0	0	0	0	0	0	0	0	0	0	0	0	0	0	0	0
Reg Addr	MBAR + 0x28030															

Figure 21-19. AFEU Interrupt Status Register (AFISR)

Table 21-18 describes AFEU interrupt status register fields.

Table 21-18. AFISR Field Descriptions

Bits	Names	Description
31	ME	Mode error. An illegal value was detected in the mode register. Note: writing to reserved bits in mode register is likely source of error. 0 No error detected 1 Mode error
30	AE	Address error. An illegal read or write address was detected within the AFEU address space. 0 No error detected 1 Address error
29	OFE	Output FIFO error. The AFEU output FIFO was detected non-empty upon write of AFEU data size register. 0 No error detected 1 Output FIFO non-empty error
28	IFE	Input FIFO error. The AFEU Input FIFO was detected non-empty upon generation of done interrupt 0 Input FIFO non-empty error enabled 1 Input FIFO non-empty error disabled
27	—	Reserved, should be cleared.
26	IFO	Input FIFO overflow. The AFEU input FIFO has been pushed while full. 0 No error detected 1 Input FIFO has overflowed Note: When operating as a master, the SEC implements flow-control, and FIFO size is not a limit to data input.
25	OFU	Output FIFO underflow. The AFEU output FIFO has been read while empty. 0 No error detected 1 Output FIFO has underflow error

Table 21-18. AFISR Field Descriptions (Continued)

Bits	Names	Description
24-21	—	Reserved, should be cleared.
20	IE	Internal error. An internal processing error was detected while performing encryption. 0 No error detected 1 Internal error
19	ERE	Early read error. The AFEU Context Memory or Control was read while the AFEU was performing encryption. 0 No error detected 1 Early read error
18	CE	Context error. The AFEU mode register, key register, key size register, data size register, or context memory is modified while AFEU processes data. 0 No error detected 1 Context error
17	KSE	Key size error. A value outside the bounds 1–16 bytes was written to the AFEU key size register 0 No error detected 1 Key size error
16	DSE	Data size error. An inconsistent value (not a multiple of 8 bits, or larger than 64 bits) was written to the AFEU data size register. 0 No error detected 1 Data size error
15-0	—	Reserved, should be cleared.

21.8.5 AFEU Interrupt Mask Register (AFIMR)

The interrupt mask register, shown in Figure 20-20, controls the result of detected errors. For a given error, if the corresponding bit in this register is set, the error is disabled; no error interrupt occurs and the interrupt status register is not updated to reflect the error. If the corresponding bit is not set, then upon detection of an error, the interrupt status register is updated to reflect the error, causing assertion of the error interrupt signal, and causing the module to halt processing.

	31	30	29	28	27	26	25	24	23	22	21	20	19	18	17	16
R	ME	AE	OFE	IFE	0	IFO	OFU	0	0	0	0	IE	ERE	CE	KSE	DSE
W																
Reset	0	0	0	0	0	0	0	0	0	0	0	0	0	0	0	0
Reg Addr	MBAR + 0x28038															
	15	14	13	12	11	10	9	8	7	6	5	4	3	2	1	0
R	0	0	0	0	0	0	0	0	0	0	0	0	0	0	0	0
W																
Reset	0	0	0	0	0	0	0	0	0	0	0	0	0	0	0	0
Reg Addr	MBAR + 0x28038															

Figure 21-20. AFEU Interrupt Mask Register (AFIMR)

Table 21-19 describes AFEU interrupt mask register fields.

Table 21-19. AFIMR Field Descriptions

Bits	Names	Description
31	ME	Mode Error. An illegal value was detected in the mode register. 0 Mode error enabled 1 Mode error disabled
30	AE	Address Error. An illegal read or write address was detected within the AFEU address space. 0 Address error enabled 1 Address error disabled
29	OFE	Output FIFO Error. The AFEU Output FIFO was detected non-empty upon write of AFEU data size register 0 Output FIFO non-empty error enabled 1 Output FIFO non-empty error disabled
28	IFE	Input FIFO Error. The AFEU Input FIFO was detected non-empty upon generation of done interrupt. 0 Input FIFO non-empty error enabled 1 Input FIFO non-empty error disabled
27	—	Reserved
26	IFO	Input FIFO Overflow. The AFEU Input FIFO has been pushed while full. 0 Input FIFO overflow error enabled 1 Input FIFO overflow error disabled
25	OFU	Output FIFO Underflow. The AFEU Output FIFO has been read while empty. 0 Output FIFO underflow error enabled 1 Output FIFO underflow error disabled
24–21	—	Reserved

Table 21-19. AFIMR Field Descriptions (Continued)

Bits	Names	Description
20	IE	Internal Error. An internal processing error was detected while performing encryption. 0 Internal error enabled 1 Internal error disabled
19	ERE	Early Read Error. The AFEU register was read while the AFEU was performing encryption. 0 Early read error enabled 1 Early read error disabled
18	CE	Context Error. An AFEU key register, the key size register, data size register, mode register, or context memory was modified while AFEU was performing encryption. 0 Context error enabled 1 Context error disabled
17	KSE	Key Size Error. A value outside the bounds 1–16 bytes was written to the AFEU key size register 0 Key size error enabled 1 Key size error disabled
16	DSE	Data Size Error. An inconsistent value was written to the AFEU data size register: 0 Data Size error enabled 1 Data size error disabled
15–0	—	Reserved, should be cleared.

21.9 Data Encryption Standard Execution Units (DEU)

This section contains details about the Data Encryption Standard Execution Units (DEU), including detailed register map, modes of operation, status and control registers, and FIFOs.

21.9.1 DEU Register Map

The registers used in the DEU are documented primarily for debug and target mode operations. If the SEC requires the use of the DEU when acting as an initiator, accessing these registers directly is unnecessary. The device drivers and the on-chip controller will abstract register level access from the user. The DEU contains the following registers:

- Reset control register
- Status register
- Interrupt status register
- Interrupt mask register

21.9.2 DEU Reset Control Register (DRCR)

This register, shown in Figure 20-21, allows 3 levels reset of just DEU, as defined by three self-clearing bits.

	31	30	29	28	27	26	25	24	23	22	21	20	19	18	17	16
R	0	0	0	0	0	RI	MI	SR	0	0	0	0	0	0	0	0
W																
Reset	0	0	0	0	0	0	0	0	0	0	0	0	0	0	0	0
Reg Addr	MBAR + 0x2A018															
	15	14	13	12	11	10	9	8	7	6	5	4	3	2	1	0
R	0	0	0	0	0	0	0	0	0	0	0	0	0	0	0	0
W																
Reset	0	0	0	0	0	0	0	0	0	0	0	0	0	0	0	0
Reg Addr	MBAR + 0x2A018															

Figure 21-21. DEU Reset Control Register (DRCR)

Table 21-20 describes DEU reset control register fields.

Table 21-20. DRCR Field Descriptions

Bits	Names	Description
31–27	—	Reserved
26	RI	Reset interrupt. Writing this bit active high causes DEU interrupts signalling DONE and ERROR to be reset. It further resets the state of the DEU interrupt status register. 0 Don't reset 1 Reset interrupt logic
25	MI	Module initialization is nearly the same as software reset, except that the interrupt control register remains unchanged. this module initialization includes execution of an initialization routine, completion of which is indicated by the RD bit in the DEU status register 0 Don't reset 1 Reset most of DEU
24	SR	Software reset is functionally equivalent to hardware reset (the $\overline{\text{RSTI}}$ pin), but only for DEU. All registers and internal state are returned to their defined reset state. After the reset completes, the DEU will enter a routine to perform proper initialization of the parameter memories. The RD bit in the DEU status register will indicate when this initialization routine is complete 0 Don't reset 1 Full DEU reset
23-0	—	Reserved

21.9.3 DEU Status Register (DSR)

This status register, displayed in Figure 20-22, contains 6 bits which reflect the state of DEU internal signals.

The DEU status register is read-only. Writing to this location will result in address error being reflected in the DEU interrupt status register.

	31	30	29	28	27	26	25	24	23	22	21	20	19	18	17	16
R	0	0	HALT	IFW	OFR	IE	ID	RD	0	0	0	0	0	0	0	0
W																
Reset	0	0	0	0	0	0	0	0	0	0	0	0	0	0	0	0
Reg Addr	MBAR + 0x2A028															
	15	14	13	12	11	10	9	8	7	6	5	4	3	2	1	0
R	0	0	0	0	0	0	0	0	0	0	0	0	0	0	0	0
W																
Reset	0	0	0	0	0	0	0	0	0	0	0	0	0	0	0	0
Reg Addr	MBAR + 0x2A028															

Figure 21-22. DEU Status Register (DSR)

Table 21-21 describes the DEU status register's bit settings.

Table 21-21. DSR Field Descriptions

Bits	Name	Description
31–30	—	Reserved
29	HALT	Halt. Indicates that the DEU has halted due to an error. 0 DEU not halted 1 DEU halted Note: Because the error causing the DEU to stop operating may be masked to the interrupt status register, the status register is used to provide a second source of information regarding errors preventing normal operation.
28	IFW	Input FIFO Writable. The controller uses this signal to determine if the DEU can accept the next burst size block of data. 0 DEU Input FIFO not ready 1 DEU Input FIFO ready Note: The SEC implements flow control to allow larger than FIFO sized blocks of data to be processed with a single key/IV. The DEU signals to the crypto-channel that a “burst size” amount of space is available in the FIFO.
27	OFR	Output FIFO Readable. The controller uses this signal to determine if the DEU can source the next burst size block of data. 0 DEU Output FIFO not ready 1 DEU Output FIFO ready Note: The SEC implements flow control to allow larger than FIFO sized blocks of data to be processed with a single key/IV. The DEU signals to the crypto-channel that a “burst size” amount of data is available in the FIFO.

Table 21-21. DSR Field Descriptions (Continued)

Bits	Name	Description
26	IE	Interrupt error. This status bit reflects the state of the ERROR interrupt signal, as sampled by the controller interrupt status register (Section 21.6.4.4, “SEC Interrupt Status Register (SISR”). 0 DEU is not signaling error 1 DEU is signaling error
25	ID	Interrupt done. This status bit reflects the state of the DONE interrupt signal, as sampled by the controller interrupt status register (Section 21.6.4.4, “SEC Interrupt Status Register (SISR”). 0 DEU is not signaling done 1 DEU is signaling done
24	RD	Reset done. This status bit, when high, indicates that DEU has completed its reset sequence, as reflected in the signal sampled by the appropriate crypto-channel. 0 Reset in progress 1 Reset done
23–0	—	Reserved

21.9.4 DEU Interrupt Status Register (DISR)

The DEU interrupt status register, shown in Figure 20-23, tracks the state of possible errors, if those errors are not masked, via the DEU interrupt mask register.

	31	30	29	28	27	26	25	24	23	22	21	20	19	18	17	16
R	ME	AE	OFE	IFE	0	IFO	OFU	0	0	0	KPE	IE	ERE	CE	KSE	DSE
W																
Reset	0	0	0	0	0	0	0	0	0	0	0	0	0	0	0	0
Reg Addr	MBAR + 0x2A030															
	15	14	13	12	11	10	9	8	7	6	5	4	3	2	1	0
R	0	0	0	0	0	0	0	0	0	0	0	0	0	0	0	0
W																
Reset	0	0	0	0	0	0	0	0	0	0	0	0	0	0	0	0
Reg Addr	MBAR + 0x2A030															

Figure 21-23. DEU Interrupt Status Register (DISR)

Table 21-22 describes DEU interrupt register signals.

Table 21-22. DISR Field Descriptions

Bits	Name	Description
31	ME	Mode error. An illegal value was detected in the mode register. Note: writing to reserved bits in mode register is likely source of error. 0 No error detected 1 Mode error
30	AE	Address error. An illegal read or write address was detected within the DEU address space. 0 No error detected 1 Address error
29	OFE	Output FIFO error. The DEU output FIFO was detected non-empty upon write of DEU data size register. 0 No error detected 1 Output FIFO non-empty error
28	IFE	Input FIFO error. The DEU input FIFO was detected non-empty upon generation of DONE interrupt. 0 No error detected 1 Input FIFO non-empty error
27	—	Reserved
26	IFO	Input FIFO Overflow. The DEU input FIFO has been pushed while full. 0 No error detected 1 Input FIFO has overflowed Note: When operating as a master, the implements flow-control, and FIFO size is not a limit to data input. When operated as a target, the cannot accept FIFO inputs larger than 512 bytes without overflowing.
25	OFU	Output FIFO Underflow. The DEU output FIFO has been read while empty. 0 No error detected 1 Output FIFO has underflow error
24-22	—	Reserved
21	KPE	Key Parity Error. Defined parity bits in the keys written to the key registers did not reflect odd parity correctly. (Note that key register 2 and key register 3 are checked for parity only if the appropriate DEU mode register bit indicates triple DES. Also, key register 3 is checked only if key size reg = 24. Key register 2 is checked only if key size reg = 16 or 24.) 0 No error detected 1 Key parity error
20	IE	Internal Error. An internal processing error was detected while performing encryption. 0 No error detected 1 Internal error Note: This bit will be asserted any time an enabled error condition occurs and can only be cleared by setting the corresponding bit in the interrupt control register or by resetting the DEU.
19	ERE	Early Read Error. The DEU IV register was read while the DEU was performing encryption. 0 No error detected 1 Early read error
18	CE	Context Error. A DEU key register, the key size register, data size register, mode register, or IV register was modified while DEU was performing encryption. 0 No error detected 1 Context error

Table 21-22. DISR Field Descriptions (Continued)

Bits	Name	Description
17	KSE	Key Size Error. An inappropriate value (8 being appropriate for single DES, and 16 and 24 being appropriate for triple DES) was written to the DEU key size register 0 No error detected 1 Key size error
16	DSE	Data Size Error (DSE): A value was written to the DEU data size register that is not a multiple of 64 bits. 0 No error detected 1 Data size error
15-0	—	Reserved

21.9.5 DEU Interrupt Mask Register (DIMR)

The interrupt mask register controls the result of detected errors. For a given error (as defined in [Section 21.9.4, “DEU Interrupt Status Register \(DISR\)”](#)), if the corresponding bit in this register is set, then the error is ignored; no error interrupt occurs and the interrupt status register is not updated to reflect the error. If the corresponding bit is not set, then upon detection of an error, the interrupt status register is updated to reflect the error, causing assertion of the error interrupt signal, and causing the module to halt processing.

	31	30	29	28	27	26	25	24	23	22	21	20	19	18	17	16
R	ME	AE	OFE	IFE	0	IFO	OFU	0	0	0	KPE	IE	ERE	CE	KSE	DSE
W																
Reset	0	0	0	0	0	0	0	0	0	0	0	0	0	0	0	0
Reg Addr	AFEU 0x2A038															
	15	14	13	12	11	10	9	8	7	6	5	4	3	2	1	0
R	0	0	0	0	0	0	0	0	0	0	0	0	0	0	0	0
W																
Reset	0	0	0	0	0	0	0	0	0	0	0	0	0	0	0	0
Reg Addr	AFEU 0x2A038															

Figure 21-24. DEU Interrupt Mask Register (DIMR)

Table 21-23. DIMR Field Descriptions

Bits	Name	Description
31	ME	Mode error. An illegal value was detected in the mode register. 0 Mode error enabled 1 Mode error disabled
30	AE	Address error. An illegal read or write address was detected within the DEU address space. 0 Address error enabled 1 Address error disabled
29	OFE	Output FIFO error. The DEU output FIFO was detected non-empty upon write of DEU data size register 0 Output FIFO non-empty error enabled 1 Output FIFO non-empty error disabled
28	IFE	Input FIFO error. The DEU input FIFO was detected non-empty upon generation of done interrupt 0 Input FIFO non-empty error enabled 1 Input FIFO non-empty error disabled
27	—	Reserved
26	IFO	Input FIFO overflow. The DEU input FIFO has been pushed while full. 0 Input FIFO overflow error enabled 1 Input FIFO overflow error disabled Note: When operating as a master, the implements flow-control, and FIFO size is not a limit to data input. When operated as a target, the cannot accept FIFO inputs larger than 512 bytes without overflowing.
25	OFU	Output FIFO underflow. The DEU output FIFO has been read while empty. 0 Output FIFO underflow error enabled 1 Output FIFO underflow error disabled
24-22	—	Reserved
21	KPE	Key Parity error. The defined parity bits in the keys written to the key registers did not reflect odd parity correctly. (Note that key register 2 and key register 3 are only checked for parity if the appropriate DEU mode register bit indicates triple DES. 0 Key parity enabled 1 Key parity error disabled
20	IE	Internal error. An internal processing error was detected while performing encryption. 0 Internal error enabled 1 Internal error disabled
19	ERE	Early read error. The DEU IV register was read while the DEU was performing encryption. 0 Early read error enabled 1 Early read error disabled
18	CE	Context error. A DEU key register, the key size register, the data size register, the mode register, or IV register was modified while DEU was performing encryption. 0 Context error enabled 1 Context error disabled
17	KSE	Key size error. An inappropriate value (8 being appropriate for single DES, and 16 and 24 being appropriate for Triple DES) was written to the DEU key size register 0 Key size error enabled 1 Key size error disabled

Table 21-23. DIMR Field Descriptions (Continued)

Bits	Name	Description
16	DSE	Data size error (DSE): A value was written to the DEU data size register that is not a multiple of 8 bytes. 0 Data size error enabled 1 Data size error disabled
15-0	—	Reserved

21.10 Message Digest Execution Unit (MDEU)

This section contains details about the message digest execution unit (MDEU), including register details.

21.10.1 MDEU Register Map

The registers used in the MDEU are documented primarily for debug and target mode operations. If the requires the use of the MDEU when acting as an initiator, accessing these registers directly is unnecessary. The device drivers and the on-chip controller will abstract register level access from the user.

The MDEU contains the following registers:

- Reset control register
- Status register
- Interrupt status register
- Interrupt control register

21.10.2 MDEU Reset Control Register (MDRCR)

This register, shown in Figure 20-25, allows three levels reset of just the MDEU, as defined by the three self-clearing bits.

	31	30	29	28	27	26	25	24	23	22	21	20	19	18	17	16
R	0	0	0	0	0	RI	MI	SR	0	0	0	0	0	0	0	0
W																
Reset	0	0	0	0	0	0	0	0	0	0	0	0	0	0	0	0
Reg Addr	MBAR + 0x2C018															
	15	14	13	12	11	10	9	8	7	6	5	4	3	2	1	0
R	0	0	0	0	0	0	0	0	0	0	0	0	0	0	0	0
W																
Reset	0	0	0	0	0	0	0	0	0	0	0	0	0	0	0	0
Reg Addr	MBAR + 0x2C018															

Figure 21-25. MDEU Reset Control Register (MDRCR)

Table 21-24 describes MDEU reset control register fields.

Table 21-24. MDEURCR Field Descriptions

Bits	Name	Description
31-27	—	Reserved
26	RI	Reset Interrupt. Writing this bit active high causes MDEU interrupts signalling DONE and ERROR to be reset. It further resets the state of the MDEU interrupt status register. 0 No reset 1 Reset interrupt logic
25	MI	Module initialization is nearly the same as software reset, except that the MDEU Interrupt control register remains unchanged. 0 No reset 1 Reset most of MDEU
24	SR	Software reset is functionally equivalent to hardware reset (the \overline{RSTI} pin), but only for the MDEU. All registers and internal state are returned to their defined reset state. 0 No reset 1 Full MDEU reset
23-0	—	Reserved

21.10.3 MDEU Status Register (MDSR)

This status register, as seen in Figure 20-26, contains 5 bits that reflect the state of the MDEU internal signals. The MDEU status register is read-only. Writing to this location will result in an address error being reflected in the MDEU interrupt status register.

	31	30	29	28	27	26	25	24	23	22	21	20	19	18	17	16
R	0	0	HALT	IFW	0	IE	ID	RD	0	0	0	0	0	0	0	0
W																
Reset	0	0	0	0	0	0	0	0	0	0	0	0	0	0	0	0
Reg Addr	MBAR + 0x2C028															
	15	14	13	12	11	10	9	8	7	6	5	4	3	2	1	0
R	0	0	0	0	0	0	0	0	0	0	0	0	0	0	0	0
W																
Reset	0	0	0	0	0	0	0	0	0	0	0	0	0	0	0	0
Reg Addr	MBAR + 0x2C028															

Figure 21-26. MDEU Atatus Register (MDSR)

Table 21-25 describes MDEU status register fields.

Table 21-25. MDSR Field Descriptions

Bits	Name	Description
31-30	—	Reserved, should be cleared.
229	HALT	Halt. Indicates that the MDEU has halted due to an error. 0 MDEU not halted 1 MDEU halted Note: Because the error causing the MDEU to stop operating may be masked to the interrupt status register, the status register is used to provide a second source of information regarding errors preventing normal operation.
28	IFW	Input FIFO Writable. The controller uses this signal to determine if the MDEU can accept the next BURST SIZE block of data. 0 MDEU Input FIFO not ready 1 MDEU Input FIFO ready Note: The SEC implements flow control to allow larger than FIFO sized blocks of data to be processed with a single key/IV. The MDEU signals to the crypto-channel that a 'burst size' amount of space is available in the FIFO. The documentation of this bit in the MDEU status register is to avoid confusing a user who may read this register in debug mode.
27	—	Reserved, should be cleared
26	IE	Interrupt Error. This status bit reflects the state of the ERROR interrupt signal, as sampled by the controller interrupt status register (Section 21.6.4.4, "SEC Interrupt Status Register (SISR)"). 0 MDEU is not signaling error 1 MDEU is signaling error
25	ID	Interrupt Done. This status bit reflects the state of the DONE interrupt signal, as sampled by the controller interrupt status register (Section 21.6.4.4, "SEC Interrupt Status Register (SISR)"). 0 MDEU is not signaling done 1 MDEU is signaling done
24	RD	Reset Done. This status bit, when high, indicates that MDEU has completed its reset sequence, as reflected in the signal sampled by the appropriate crypto-channel. 0 Reset in progress 1 Reset done
23-0	—	Reserved, should be cleared.

21.10.4 MDEU Interrupt Status Register (MDISR)

The interrupt status register tracks the state of possible errors, if those errors are not masked, via the MDEU interrupt mask register. The definition of each bit in the interrupt status register is shown in Figure 20-27.

	31	30	29	28	27	26	25	24	23	22	21	20	19	18	17	16
R	ME	AE	0	0	0	IFO	0	0	0	0	0	IE	ERE	CE	KSE	DSE
W																
Reset	0	0	0	0	0	0	0	0	0	0	0	0	0	0	0	0
Reg Addr	MBAR + 0x2C030															
	15	14	13	12	11	10	9	8	7	6	5	4	3	2	1	0
R	0	0	0	0	0	0	0	0	0	0	0	0	0	0	0	0
W																
Reset	0	0	0	0	0	0	0	0	0	0	0	0	0	0	0	0
Reg Addr	MBAR + 0x 21038															

Figure 21-27. MDEU Interrupt Status Register (MDISR)

Table 21-26 describes MDEU interrupt status register fields.

Table 21-26. MDISR Field Descriptions

Bits	Name	Description
31	ME	Mode Error. An illegal value was detected in the mode register. Note: writing to reserved bits in mode register is likely source of error. 0 No error detected 1 Mode error
30	AE	Address Error. An illegal read or write address was detected within the MDEU address space. 0 No error detected 1 Address Error
29–27	—	Reserved, should be cleared.
26	IFO	Input FIFO Overflow. The MDEU Input FIFO has been pushed while full. 0 No overflow detected 1 Input FIFO has overflowed Note: When operating as a master, the implements flow-control, and FIFO size is not a limit to data input.
25-21	—	Reserved, should be cleared.
20	IE	Internal Error. Indicates the MDEU has been locked up and requires a reset before use. 0 No internal error detected 1 Internal error detected Note: This bit will be asserted any time an enabled error condition occurs and can only be cleared by setting the corresponding bit in the interrupt mask register or by resetting the MDEU.
19	ERE	Early Read Error. The MDEU context was read before the MDEU completed the hashing operation. 0 No error detected 1 Early read error
18	CE	Context Error. The MDEU key register, key size register, or data size register was modified while MDEU was hashing. 0 No error detected 1 Context error
17	KSE	Key Size Error. A value greater than 512 bits was written to the MDEU key size register. 0 No error detected 1 Key size error
16	DSE	Data Size Error. A value not a multiple of 512 bits while the MDEU mode register autopad bit is negated. 0 No error detected 1 Data size error
15-0	—	Reserved, should be cleared.

21.10.5 MDEU Interrupt Mask Register (MDIMR)

The MDEU interrupt mask register, shown in Figure 20-28, controls the result of detected errors. For a given error, if the corresponding bit in this register is set, then the error is disabled; no error interrupt occurs and the interrupt status register is not updated to reflect the error. If the corresponding bit is not set, then

upon detection of an error, the interrupt status register is updated to reflect the error, causing assertion of the error interrupt signal, and causing the module to halt processing.

	31	30	29	28	27	26	25	24	23	22	21	20	19	18	17	16
R	ME	AE	0	0	0	I/O	0	0	0	0	0	IE	ERE	CE	KSE	DSE
W																
Reset	0	0	0	0	0	0	0	0	0	0	0	0	0	0	0	0
Reg Addr	MBARU 0x2C038															
	15	14	13	12	11	10	9	8	7	6	5	4	3	2	1	0
R	0	0	0	0	0	0	0	0	0	0	0	0	0	0	0	0
W																
Reset	0	0	0	0	0	0	0	0	0	0	0	0	0	0	0	0
Reg Addr	MBAR 0x2C038															

Table 21-26 describes MDEU interrupt mask register fields.

Table 21-27. MDIMR Field Descriptions

Bits	Name	Description
31	ME	Mode Error. An illegal value was detected in the mode register. 0 Mode error enabled 1 Mode error disabled
30	AE	Address Error. An illegal read or write address was detected within the MDEU address space. 0 Address error enabled 1 Address error disabled
29-27	—	Reserved, should be cleared.
26	I/O	Input FIFO Overflow. The MDEU input FIFO has been pushed while full. 0 Input FIFO overflow error enabled 1 Input FIFO overflow error disabled
25-21	—	Reserved, should be cleared.
20	IE	Internal Error. An internal processing error was detected while performing hashing. 0 Internal error enabled 1 Internal error disabled
19	ERE	Early Read Error. The MDEU register was read while the MDEU was performing hashing. 0 Early read error enabled 1 Early read error disabled
18	CE	Context Error. The MDEU key register, the key size register, the data size register, or the mode register, was modified while the MDEU was performing hashing. 0 Context error enabled 1 Context error disabled

Table 21-27. MDIMR Field Descriptions

Bits	Name	Description
17	KSE	Key Size Error. A value outside the bounds 512 bits was written to the MDEU key size register 0 Key size error enabled 1 Key size error disabled
16	DSE	Data Size Error. An inconsistent value was written to the MDEU data size register: 0 Data size error enabled 1 Data size error disabled
15-0	—	Reserved, should be cleared.

21.11 RNG Execution Unit (RNG)

The RNG is an execution unit capable of generating 32-bit random numbers. It is designed to comply with the FIPS-140 standard for randomness and non-determinism. A linear feedback shift register (LSFR) and cellular automata shift register (CASR) are operated in parallel to generate pseudo-random data.

21.11.1 RNG Register Map

The registers used in the RNG are documented primarily for debug and target mode operations. If the requires the use of the RNG when acting as an initiator, accessing these registers directly is unnecessary. The device drivers and the on-chip controller will abstract register level access from the user.

The single RNG contains the following registers:

- Reset control register
- Status register
- Interrupt status register
- Interrupt control register

21.11.2 RNG Reset Control Register (RNGRCR)

This register, shown in Figure 20-29, contains three reset options specific to the RNG.

	31	30	29	28	27	26	25	24	23	22	21	20	19	18	17	16
R	0	0	0	0	0	RI	MI	SR	0	0	0	0	0	0	0	0
W																
Reset	0	0	0	0	0	0	0	0	0	0	0	0	0	0	0	0
Reg Addr	MBAR + 0x2E018															
	15	14	13	12	11	10	9	8	7	6	5	4	3	2	1	0
R	0	0	0	0	0	0	0	0	0	0	0	0	0	0	0	0
W																
Reset	0	0	0	0	0	0	0	0	0	0	0	0	0	0	0	0
Reg Addr	MBAR + 0x2E018															

Figure 21-28. RNG Reset Control Register (RNGRCR)

Table 21-28 describes RNG reset control register fields.

Table 21-28. RNGRCR Field Descriptions

Bits	Name	Description
31-27	—	Reserved
26	RI	Reset Interrupt. Writing this bit active high causes RNG interrupts signalling DONE and ERROR to be reset. It further resets the state of the RNG interrupt status register. 0 No reset 1 Reset interrupt logic
25	MI	Module Initialization. This reset value performs enough of a reset to prepare the RNG for another request, without forcing the internal control machines and the output FIFO to be reset, thereby invalidating stored random numbers or requiring re-invocation of a warm-up period. Module initialization is nearly the same as software reset, except that the interrupt control register remains unchanged. 0 No reset 1 Reset most of RNG
24	SR	Software reset is functionally equivalent to hardware reset (the $\overline{\text{RSTI}}$ pin), but only for the RNG. All registers and internal states are returned to their defined reset state. 0 No reset 1 Full RNG reset
23-0	—	Reserved

21.11.3 RNG Status Register (RNGSR)

This RNG status register, Figure 20-30, contains 4 bits which reflect the state of the RNG internal signals. The RNG status register is read-only. Writing to this location will result in an address error being reflected in the RNG interrupt status register.

	31	30	29	28	27	26	25	24	23	22	21	20	19	18	17	16
R	0	0	HALT	0	OFR	IE	0	RD	0	0	0	0	0	0	0	0
W																
Reset	0	0	0	0	0	0	0	0	0	0	0	0	0	0	0	0
Reg Addr	MBAR + 0x2E028															
	15	14	13	12	11	10	9	8	7	6	5	4	3	2	1	0
R	0	0	0	0	0	0	0	0	0	0	0	0	0	0	0	0
W																
Reset	0	0	0	0	0	0	0	0	0	0	0	0	0	0	0	0
Reg Addr	MBAR + 0x2E028															

Table 21-29 describes RNG status register fields.

Table 21-29. RNGSR Field Descriptions

Bits	Name	Description
31-30	—	Reserved
29	HALT	Halt. Indicates that the RNG has halted due to an error. 0 RNG not halted 1 RNG halted Note: Because the error causing the RNG to stop operating may be masked to the interrupt status register, the status register is used to provide a second source of information regarding errors preventing normal operation.
28	—	Reserved
27	OFR	Output FIFO Readable. The controller uses this signal to determine if the RNG can source the next burst size block of data. 0 RNG output FIFO not ready 1 RNG output FIFO ready
26	IE	Interrupt Error. This status bit reflects the state of the ERROR interrupt signal, as sampled by the controller interrupt status register (Section 21.6.4.4, “SEC Interrupt Status Register (SISR)”). 0 RNG is not signaling error 1 RNG is signaling error
25	—	Reserved
24	RD	Reset Done. This status bit, when high, indicates that the RNG has completed its reset sequence. 0 Reset in progress 1 Reset done
23-0	—	Reserved

21.11.4 RNG Interrupt Status Register (RNGISR)

The RNG interrupt status register tracks the state of possible errors, if those errors are not masked, via the RNG interrupt mask register. The definition of each bit in the interrupt status register is shown in Figure 20-31

	31	30	29	28	27	26	25	24	23	22	21	20	19	18	17	16
R	ME	AE	0	0	0	0	OFU	0	0	0	0	IE	0	0	0	0
W																
Reset	0	0	0	0	0	0	0	0	0	0	0	0	0	0	0	0
Reg Addr	MBAR + 0x2E030															
	15	14	13	12	11	10	9	8	7	6	5	4	3	2	1	0
R	0	0	0	0	0	0	0	0	0	0	0	0	0	0	0	0
W																
Reset	0	0	0	0	0	0	0	0	0	0	0	0	0	0	0	0
Reg Addr	MBAR + 0x2E030															

Figure 21-29. RNG Interrupt Status Register (RNGISR)

Table 21-30 describes RNG interrupt status register fields.

Table 21-30. RNGISR Field Descriptions

Bits	Name	Description
31	ME	Mode Error. Indicates that the host has attempted to write an illegal value to the mode register 0 Valid data 1 Invalid data error
30	AE	Address Error. An illegal read or write address was detected within the RNG address space. 0 No error detected 1 Address error
29–26	—	Reserved
25	OFU	Output FIFO Underflow. The RNG Output FIFO has been read while empty. 0 No underflow detected 1 Output FIFO has underflowed
24–21	—	Reserved
20	IE	Internal Error 0 No internal error detected 1 Internal error
19–0	—	Reserved

21.11.5 RNG Interrupt Mask Register (RNGIMR)

The RNG interrupt mask register controls the result of detected errors. For a given error, if the corresponding bit in this register is set, then the error is disabled; no error interrupt occurs and the interrupt status register is not updated to reflect the error. If the corresponding bit is not set, then upon detection of an error, the interrupt status register is updated to reflect the error, causing assertion of the error interrupt signal, and causing the module to halt processing.

	31	30	29	28	27	26	25	24	23	22	21	20	19	18	17	16
R	ME	AE	0	0	0	0	OFU	0	0	0	0	IE	0	0	0	0
W																
Reset	0	0	0	0	0	0	0	0	0	0	0	0	0	0	0	0
Reg Addr	MBAR + 0x2E038															
	15	14	13	12	11	10	9	8	7	6	5	4	3	2	1	0
R	0	0	0	0	0	0	0	0	0	0	0	0	0	0	0	0
W																
Reset	0	0	0	0	0	0	0	0	0	0	0	0	0	0	0	0
Reg Addr	MBAR + 0x2E038															

Table 21-31 describes RNG interrupt status register fields.

Table 21-31. RNGIMR Field Descriptions

Bits	Name	Description
31	ME	Mode Error. An illegal value was detected in the mode register. 0 Mode error enabled 1 Mode error disabled
30	AE	Address Error. An illegal read or write address was detected within the MDEU address space. 0 Address error enabled 1 Address error disabled
29–26	—	Reserved
25	OFU	Output FIFO Underflow. RNG Output FIFO has been read while empty. 0 Output FIFO underflow error enabled 1 Output FIFO underflow error disabled
24–21	—	Reserved
20	IE	Internal Error. An internal processing error was detected while generating random numbers. 0 Internal error enabled 1 Internal error disabled
19–0	—	Reserved

21.12 Advanced Encryption Standard Execution Units (AESU)

This section contains details about the Advanced Encryption Standard Execution Units (AESU), including detailed register map, modes of operation, status and control registers.

21.12.1 AESU Register Map

The registers used in the AESU are documented primarily for debug and target mode operations. If the SEC requires the use of the AESU when acting as an initiator, accessing these registers directly is unnecessary. The device drivers and the on-chip controller will abstract register level access from the user.

The AESU contains the following registers:

- Reset control register
- Status register
- Interrupt status register
- Interrupt control register

21.12.2 AESU Reset Control Register (AESRCR)

This register allows three levels reset of just AESU, as defined by the three self-clearing bits.

	31	30	29	28	27	26	25	24	23	22	21	20	19	18	17	16
R	0	0	0	0	0	RI	MI	SR	0	0	0	0	0	0	0	0
W																
Reset	0	0	0	0	0	0	0	0	0	0	0	0	0	0	0	0
Reg Addr	MBAR + 0x32018															
	15	14	13	12	11	10	9	8	7	6	5	4	3	2	1	0
R	0	0	0	0	0	0	0	0	0	0	0	0	0	0	0	0
W																
Reset	0	0	0	0	0	0	0	0	0	0	0	0	0	0	0	0
Reg Addr	MBAR + 0x32018															

Figure 21-30. AESU Reset Control Register (AESRCR)

[Table 21-32](#) describes AESU reset control register fields.

Table 21-32. AESRCR Field Descriptions

Bits	Names	Description
31–27	—	Reserved
26	RI	Reset Interrupt. Writing this bit active high causes AESU interrupts signalling DONE and ERROR to be reset. It further resets the state of the AESU interrupt status register. 0 Don't reset 1 Reset interrupt logic
25	MI	Module initialization is nearly the same as software reset, except that the interrupt control register remains unchanged. This module initialization includes execution of an initialization routine, completion of which is indicated by the RD bit in the AESU status register 0 Don't reset 1 Reset most of AESU
24	SR	Software reset is functionally equivalent to hardware reset (the $\overline{\text{RSTI}}$ pin), but only for AESU. All registers and internal state are returned to their defined reset state. After the reset completes, the AESU will enter a routine to perform proper initialization of the parameter memories. The RD bit in the AESU status register will indicate when this initialization routine is complete 0 Don't reset 1 Full AESU reset
23–0	—	Reserved

21.12.3 AESU Status Register (AESSR)

The AESU status register is a read-only register that reflects the state of six status outputs. Writing to this location will result in an address error being reflected in the AESU interrupt status register.

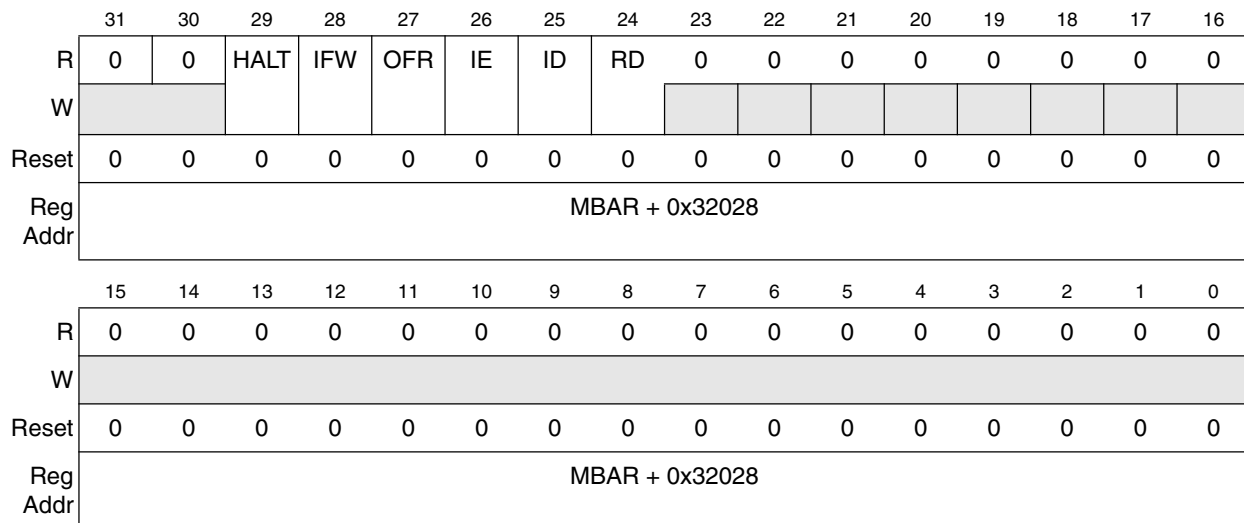


Figure 21-31. AESU Status Register (AESSR)

Table 21-33 describes AESU status register fields.

Table 21-33. AESSR Field Descriptions

Bits	Name	Description
31--30	—	Reserved
29	HALT	Halt. Indicates that the AESU has halted due to an error. 0 AESU not halted 1 AESU halted Note: Because the error causing the AESU to stop operating may be masked to the interrupt status register, the status register is used to provide a second source of information regarding errors preventing normal operation.
28	IFW	Input FIFO Writable. The controller uses this signal to determine if the AESU can accept the next BURST SIZE block of data. 0 AESU Input FIFO not ready 1 AESU Input FIFO ready Note: The SEC implements flow control to allow larger than FIFO sized blocks of data to be processed with a single key/IV. The AESU signals to the crypto-channel that a 'burst size' amount of space is available in the FIFO.
27	OFR	Output FIFO Readable. The controller uses this signal to determine if the AESU can source the next burst size block of data. 0 AESU Output FIFO not ready 1 AESU Output FIFO ready Note: The SEC implements flow control to allow larger than FIFO sized blocks of data to be processed with a single key/IV. The AESU signals to the crypto-channel that a "Burst Size" amount of data is available in the FIFO.
26	IE	Interrupt Error. This status bit reflects the state of the ERROR interrupt signal, as sampled by the controller interrupt status register (Section 21.6.4.4, "SEC Interrupt Status Register (SISR)"). 0 AESU is not signaling error 1 AESU is signaling error
25	ID	Interrupt Done. This status bit reflects the state of the DONE interrupt signal, as sampled by the controller interrupt status register (Section 21.6.4.4, "SEC Interrupt Status Register (SISR)"). 0 AESU is not signaling done 1 AESU is signaling done
24	RD	Reset Done. This status bit, when high, indicates that AESU has completed its reset sequence, as reflected in the signal sampled by the appropriate crypto-channel. 0 Reset in progress 1 Reset done
23--0	—	Reserved

21.12.4 AESU Interrupt Status Register (AESISR)

The AESU interrupt status register tracks the state of possible errors, if those errors are not masked, via the AESU interrupt mask register. The definition of each bit in the interrupt status register is shown in Figure 20-35.

	31	30	29	28	27	26	25	24	23	22	21	20	19	18	17	16
R	ME	AE	OFE	IFE	0	IFO	OFU	0	0	0	0	IE	ERE	CE	KSE	DSE
W																
Reset	0	0	0	0	0	0	0	0	0	0	0	0	0	0	0	0
Reg Addr	MBAR 0x32030															
	15	14	13	12	11	10	9	8	7	6	5	4	3	2	1	0
R	0	0	0	0	0	0	0	0	0	0	0	0	0	0	0	0
W																
Reset	0	0	0	0	0	0	0	0	0	0	0	0	0	0	0	0
Reg Addr	MBAR 0x32030															

Figure 21-32. AESU Interrupt Status Register (AESISR)

Table 21-34 describes AESU interrupt register fields.

Table 21-34. AESISR Field Descriptions

Bits	Name	Description
31	ME	Mode Error. Indicates that invalid data was written to a register or a reserved mode bit was set. 0 Valid Data 1 Reserved or invalid mode selected
30	AE	Address Error. An illegal read or write address was detected within the AESU address space. 0 No error detected 1 Address error
29	OFE	Output FIFO Error. The AESU output FIFO was detected non-empty upon write of AESU data size register. 0 No error detected 1 Output FIFO non-empty error
28	IFE	Input FIFO Error. The AESU input FIFO was detected non-empty upon generation of done interrupt. 0 No error detected 1 Input FIFO non-empty error
27	—	Reserved

Table 21-34. AESISR Field Descriptions (Continued)

Bits	Name	Description
26	IFO	Input FIFO Overflow. The AESU Input FIFO has been pushed while full. 0 No error detected 1 Input FIFO has overflowed Note: When operating as a master, the implements flow-control, and FIFO size is not a limit to data input.
24	OFU	Output FIFO Underflow. The AESU Output FIFO has been read while empty. 0 No error detected 1 Output FIFO has underflow error
23-21	—	Reserved
20	IE	Internal Error. An internal processing error was detected while the AESU was processing. 0 No error detected 1 Internal error Note: This bit will be asserted any time an enabled error condition occurs and can only be cleared by setting the corresponding bit in the interrupt mask register or by resetting the AESU.
19	ERE	Early Read Error. The AESU IV register was read while the AESU was processing. 0 No error detected 1 Early read error
18	CE	Context Error. An AESU key register, the key size register, data size register, mode register, or IV register was modified while AESU was processing 0 No error detected 1 Context error
17	KSE	Key Size Error. An inappropriate value (not 16, 24 or 32 bytes) was written to the AESU key size register 0 No error detected 1 Key size error
16	DSE	Data Size Error (DSE): A value was written to the AESU data size register that is not a multiple of 128 bits. 0 No error detected 1 Data size error
15--0	—	Reserved

21.12.5 AESU Interrupt Mask Register (AESIMR)

The AESU interrupt mask register, shown in Figure 20-36, controls the result of detected errors. For a given error, if the corresponding bit in this register is set, then the error is ignored; no error interrupt occurs and the interrupt status register is not updated to reflect the error. If the corresponding bit is not set, then upon detection of an error, the interrupt status register is updated to reflect the error, causing assertion of the error interrupt signal, and causing the module to halt processing.

	31	30	29	28	27	26	25	24	23	22	21	20	19	18	17	16
R	ME	AE	OFE	IFE	0	IFO	OFU	0	0	0	0	IE	ERE	CE	KSE	DSE
W																
Reset	0	0	0	0	0	0	0	0	0	0	0	0	0	0	0	0
Reg Addr	MBAR 0x32038															
	15	14	13	12	11	10	9	8	7	6	5	4	3	2	1	0
R	0	0	0	0	0	0	0	0	0	0	0	0	0	0	0	0
W																
Reset	0	0	0	0	0	0	0	0	0	0	0	0	0	0	0	0
Reg Addr	MBAR 0x32038															

Figure 21-33. AESU Interrupt Mask Register (AESIMR)

Table 21-35 describes the AESU interrupt mask register fields.

Table 21-35. AESIMR Field Descriptions

Bits	Name	Description
31	ME	Mode Error. Indicates that invalid data was written to a register or a reserved mode bit was set. 0 Mode error enabled 1 Mode error disabled
30	AE	Address Error. An illegal read or write address was detected within the AESU address space. 1 Address error disabled 0 Address error enabled
29	OFE	Output FIFO Error. The AESU Output FIFO was detected non-empty upon write of AESU data size register. 0 Output FIFO non-empty error enabled 1 Output FIFO non-empty error disabled
28	IFE	Input FIFO Error. The AESU Input FIFO was detected non-empty upon generation of done interrupt. 0 Input FIFO non-empty error enabled 1 Input FIFO non-empty error disabled
27	—	Reserved
26	IFO	Input FIFO Overflow. The AESU Input FIFO has been pushed while full. 0 Input FIFO overflow error enabled 1 Input FIFO overflow error disabled
25	IFO	Output FIFO Underflow. The AESU Output FIFO has been read while empty. 0 Output FIFO underflow error enabled 1 Output FIFO underflow error disabled
24–21	—	Reserved

Table 21-35. AESIMR Field Descriptions (Continued)

Bits	Name	Description
20	IE	Internal Error. An internal processing error was detected while the AESU was processing. 0 Internal error enabled 1 Internal error disabled
19	ERE	Early Read Error. The AESU IV register was read while the AESU was processing. 0 Early read error enabled 1 Early read error disabled
18	CE	Context Error. An AESU key register, the key size register, data size register, mode register, or IV register was modified while the AESU was processing. 0 Context error enabled 1 Context error disabled
17	KSE	Key Size Error. An inappropriate value (not 16, 24 or 32 bytes) was written to the AESU key size register 0 Key size error enabled 1 Key size error disabled
16	DSE	Data Size Error. Indicates that the number of bits to process is out of range. 0 Data size error enabled 1 Data size error disabled
15-0	—	Reserved

21.13 Descriptors

As an IPsec accelerator, the SEC has been targeted for ease of use and integration with existing systems and software. As such, all cryptographic functions are accessible through data packet descriptors. In addition, some multi-function descriptors have been defined, with particular IPsec applications in mind.

The SEC has ColdFire bus mastering capability to off-load data movement and encryption operations from the host CPU. As the system controller, the host processor maintains a record of current secure sessions and the corresponding keys and contexts of those sessions. Once the host has determined a security operation is required, it can create a data packet descriptor to guide the SEC through the security operation, with the SEC acting as a bus master. The descriptor can be created in main memory, any memory local to the SEC, or written directly to the data packet descriptor buffer in the SEC crypto-channel.

21.13.1 Descriptor Structure

The SEC data packet descriptors are conceptually similar to descriptors used by most devices with DMA capability. See [Figure 21-34](#) for a conceptual data packet descriptor. The descriptors are fixed length (64 bytes), and consist of sixteen 32-bit fields. The number of fields provided in the descriptor allows for multi-algorithm operations requiring the fetch (and potentially return) of multiple keys and contexts. Any field that is not used is NULL, meaning it is filled with all zeroes.

Descriptors begin with a header that describes the security operation to be performed and the mode the execution unit will be set to while performing the operation. The header is followed by seven data length/data pointer pairs. Data length indicates the amount of contiguous data to be transferred. This amount cannot exceed 32 Kbytes. The data pointer refers to the address of the data which the SEC fetches. Data in this case is broadly interpreted to mean keys, context, additional pointers, or the actual plaintext to be permuted.

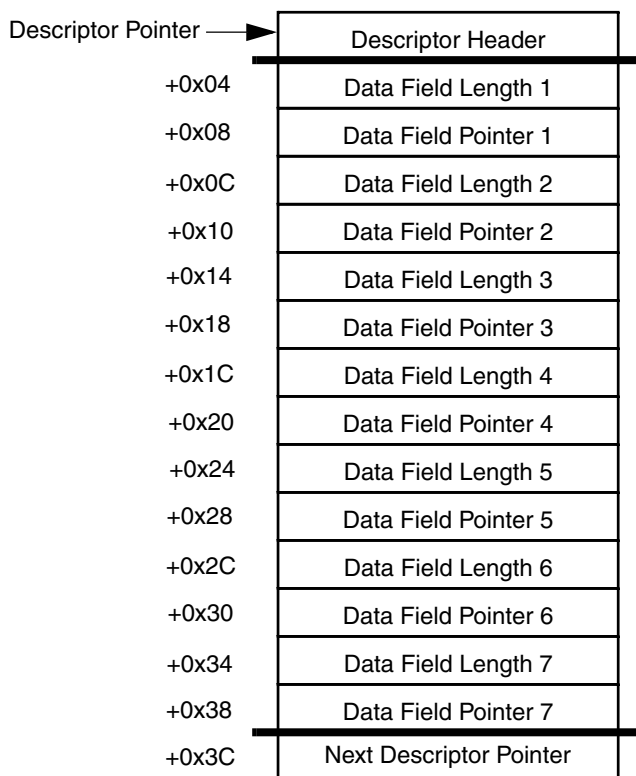


Figure 21-34. Data Packet Descriptor Format

21.13.1.1 Descriptor Header

Descriptors are created by the host to guide the SEC through required crypto-graphic operations. The descriptor header defines the operations to be performed, mode for each operation, and internal addressing used by the controller and channel for internal data movement. Figure 21-35 shows the descriptor header.

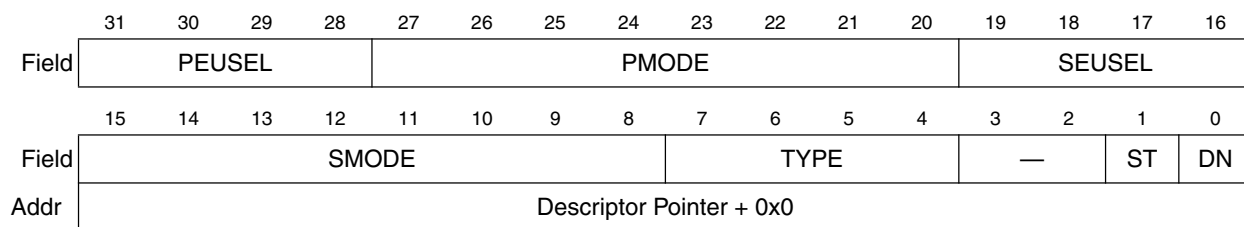


Figure 21-35. Descriptor Header

Table 21-36 defines the header bits.

Table 21-36. Header Bit Definitions

Bits	Name	Description
31–28	PEUSEL	Primary execution unit select. Programs the channel to select a primary EU of a given type. A “No primary EU selected” or a reserved value in this field will generate an unrecognized header error condition during processing of the descriptor header. 0x0 No primary EU selected 0x1 AFEU 0x2 DEU 0x3 MDEU 0x4 RNG 0x5 Reserved 0x6 AESU 0x7–0xF Reserved
27–20	PMODE	Primary execution unit mode. This data is passed directly to bits 7–0 of the mode register for the specified EU. See Section 21.14, “EU Specific Data Packet Descriptors” for descriptions of the mode registers for each EU.
19–16	SEUSEL	Secondary execution unit select. Programs the channel to select a secondary EU of a given type. The MDEU is the only valid secondary EU. Any value other than ‘MDEU’ or ‘No secondary EU selected’ will generate an unrecognized header error condition during processing of the descriptor header. 0x0 No secondary EU selected 0x1–0x02 Reserved 0x3 MDEU 0x4–0xF Reserved Note: If the MDEU is used as a secondary EU, then the primary EU must be DEU, AESU, or AFEU. All other combinations of primary EU and secondary MDEU processing will generate an unrecognized header error condition.
15–8	SMODE	Secondary execution unit mode. This data is passed directly to bits 7–0 of the mode register for the specified EU. See Section 21.14, “EU Specific Data Packet Descriptors” for descriptions of the mode registers for each EU.
7–4	TYPE	Descriptor type. Each type of descriptor determines the following attributes for the corresponding data length/pointer pairs: the direction of the data flow; which EU is associated with the data; and which internal EU address is used. Table 21-37 lists the valid types of descriptors.
3–2	—	Reserved. Set to zero

Table 21-36. Header Bit Definitions (Continued)

Bits	Name	Description
1	ST	<p>Snoop type. Selects which of the two types of available snoop modes applies to the descriptor.</p> <p>0 Snoop output data mode. 1 Snoop input data mode.</p> <p>In snoop input data mode, while the bus transaction to write data into the input FIFO of the primary EU is in progress, the secondary EU (always MDEU) will snoop the same data into its input FIFO.</p> <p>In snoop output data mode, the secondary EU (always MDEU) will snoop data into its input FIFO during the bus transaction to read data out of the output FIFO of the primary EU.</p> <p>When snooping is not performed, this bit is ignored by the SEC crypto-channel.</p>
0	DN	<p>Done notification flag. Setting this bit indicates whether to perform notification upon completion of this descriptor. The notification can take the form of an interrupt or modified header write back or both depending upon the state of the CCCRη[IE] and CCCRη[WE] control bits.</p> <p>0 Do not signal DONE upon completion of this descriptor (unless globally programmed to do so via the master control register). 1 Signal DONE upon completion of this descriptor</p> <p>The SEC can be programmed to perform DONE notification upon completion of each descriptor, upon completion of any descriptor, or completion of a chain of descriptors. This bit provides for the second case.</p>

Table 21-37 shows the permissible values for the descriptor TYPE field in the descriptor header. See Section 21.13.3, “Descriptor Type Formats” for more information on the data length and pointer pairs required for each descriptor type.

Table 21-37. Descriptor Types

Value	Descriptor Type	Notes
0000	aesu_ctr_nonsnoop	AESU CTR nonsnooping
0001	common_nonsnoop_no_afeu	Common, nonsnooping,, non-AFEU
0010	hmac_snoop_no_afeu	Snooping, HMAC, non-AFEU
0011	non_hmac_snoop_no_afeu	Snooping, non-HMAC, non-AFEU
0100	aseu_key_expand_output	Non-snooping, non HMAC, AESU, expanded key out
0101	common_nonsnoop_afeu	Common, nonsnooping, AFEU
0110	hmac_snoop_afeu	Snooping, HMAC, AFEU (no context out)
0111	non_hmac_snoop_afeu	Snooping, non-HMAC, AFEU
1000	Reserved	—
1001	Reserved	—
1010	Reserved	—
1011	Reserved	—
1100	hmac_snoop_aesu_ctr	AESU CTR hmac snooping
1101	non_hmac_snoop_aesu_ctr	AESU CTR non-hmac snooping
1110	hmac_snoop_afeu_key_in	AFEU Context Out Available
1111	hmac_snoop_afeu_ctx_in	AFEU Context Out Available

21.13.1.2 Descriptor Length and Pointer Fields

The length and pointer fields represent one of seven data length/pointer pairs. Each pair defines a block of data in system memory. The length field gives the length of the block in bytes. The maximum allowable number of bytes is 32 Kbytes. A value of zero loaded into the length field indicates that this length/pointer pair should be skipped and processing should continue with the next pair.

The pointer field contains the address, in ColdFire global memory, of the first byte of the data block. Transfers from the ColdFire bus with the pointer address set to zero will have the length value written to the EU, and no data fetched from the memory.

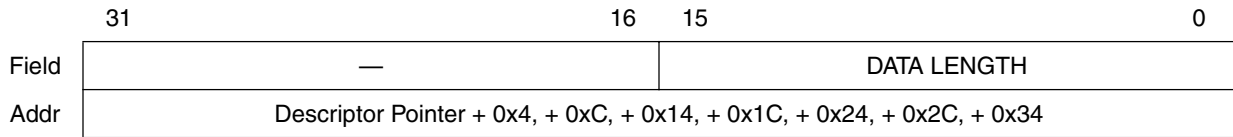


Figure 21-36. Descriptor Data Packet Length Field

Table 21-38 shows the data packet descriptor length field mapping.

Table 21-38. Descriptor Data Packet Length Field Mapping

Bits	Name	Description
31–16	—	Reserved, set to zero.
15–0	DATA LENGTH	The maximum length this field can be set to 32K bytes. Length fields also indicate the size of items to be written back to memory upon completion of security processing in the SEC.

Figure 21-37 shows the descriptor data packet pointer field. The data pointer refers to the address of the data which the SEC fetches. Data in this case is broadly interpreted to mean keys, context, additional pointers, or the actual plaintext to be permuted.

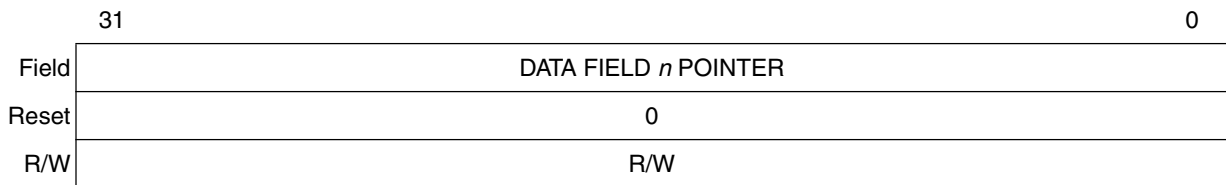


Figure 21-37. Descriptor Data Packet Pointer Field

Table 21-39 shows the descriptor data packet pointer field mapping.

Table 21-39. Descriptor Data Packet Pointer Field Mapping

Bits	Name	Reset Value	Description
31–0	DATA FIELD POINTER	0	The data pointer field contains the address, in global memory, of the first byte of the data packet for either read or write back. Transfers from the bus with the pointer address set to zero will be skipped.

Table 21-42 shows how the length/pointer pairs should be used with the various descriptor types to load keys, context, and data into the execution units, and how the required outputs should be unloaded.

21.13.1.3 Null Fields

On occasion, a descriptor field may not be applicable to the requested service. With seven length/pointer pairs, it is possible that not all descriptor fields will be required to load the required keys, context, and data. (Some operations do not require context, others may only need to fetch a small, contiguous block of data.) Therefore, when processing data packet descriptors, the SEC will skip entirely any pointer that has an associated length of zero.

21.13.1.4 Next Descriptor Pointer

Following the length/pointer pairs is the ‘Next Descriptor’ field, which contains the pointer to the next descriptor in memory. Upon completion of processing of the current descriptor, this value, if non-zero, is used to request a burst read of the next data packet descriptor. This automatic load of the next descriptor is referred to as descriptor chaining. See [Section 21.13.2, “Descriptor Chaining”](#) for more information.

[Figure 21-38](#) displays the next descriptor pointer field.

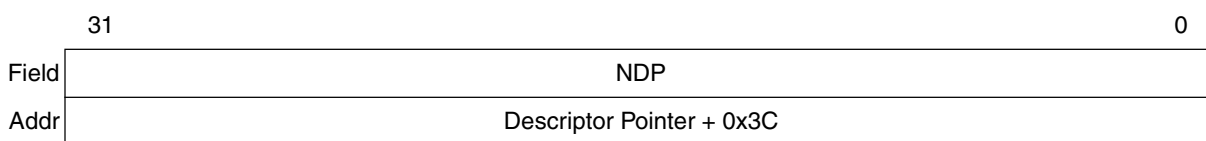


Figure 21-38. Next Descriptor Pointer Field

[Table 21-40](#) describes the descriptor pointer field mapping.

Table 21-40. Next Descriptor Pointer Field Mapping

Bits	Name	Description
31–0	NDP	Next descriptor pointer. Contains the address, in global memory space, of the next descriptor to be fetched if descriptor chaining is enabled. This field should be cleared if chaining is not required.

21.13.2 Descriptor Chaining

Descriptor chaining provides a measure of ‘decoupling’ between host CPU activities and the status of the SEC. Rather than waiting for the SEC to signal DONE, and arbitrating for the bus in order to write directly to the fetch register in the crypto-channel, the host can simply create new descriptors in memory, and chain them to descriptors which have not yet been fetched by the SEC by filling the next descriptor pointer field with the address of the newly created descriptor. Whether or not processing continues automatically following next-descriptor fetch and whether or not an interrupt is generated depends on the programming of the Crypto-Channel’s configuration register.

See [Section 21.7.1.1, “Crypto-Channel Configuration Registers \(CCCRn\)”](#), for additional information on how the SEC can be programmed to signal and act upon completion of a descriptor.

NOTE

It is possible to insert a descriptor into an existing chain; however, great care must be taken when doing so.

Figure 21-39 shows a conceptual chain, or ‘linked list’ of descriptors.

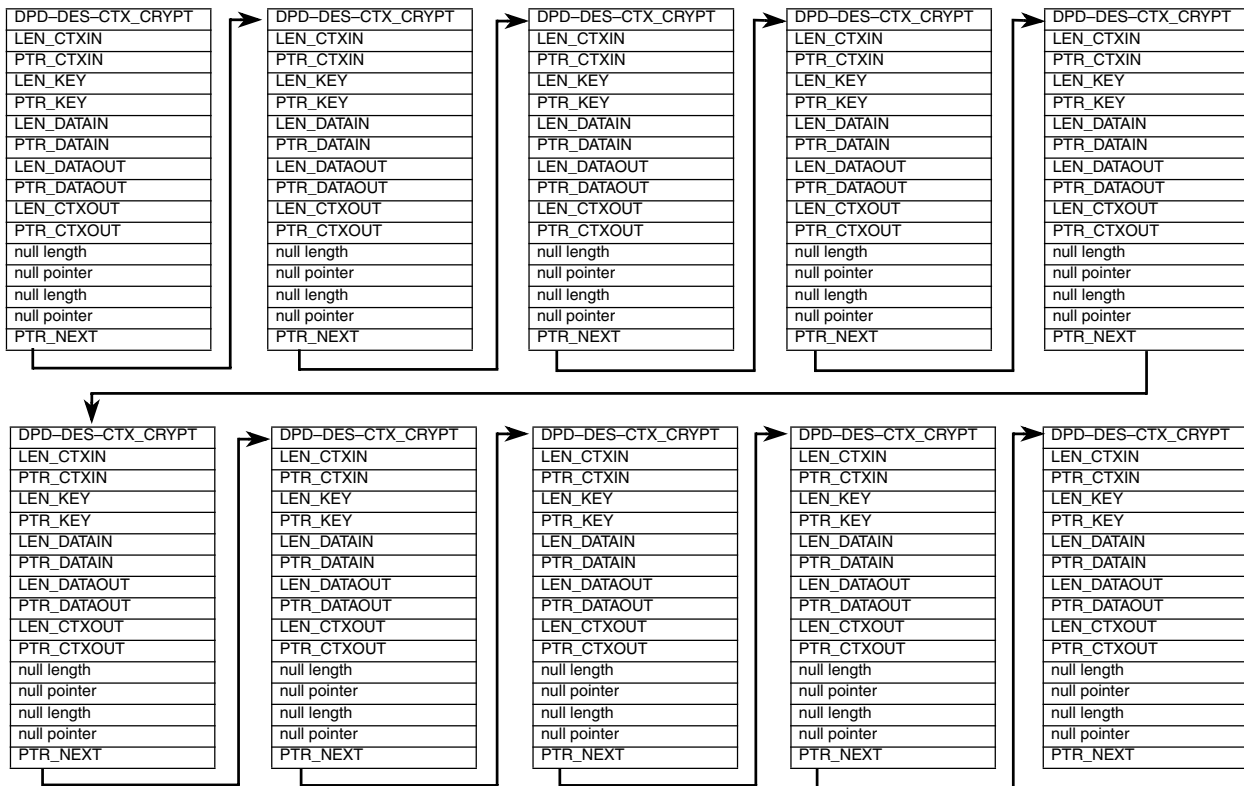


Figure 21-39. Chain of Descriptors

21.13.3 Descriptor Type Formats

The SEC accepts 12 fixed format descriptors. The descriptor TYPE field in the descriptor header informs the crypto-channel of the ordering of the inputs and outputs defined by the length/pointer pairs in the descriptor body. The ordering of inputs and outputs in the length/pointer pairs (as defined by descriptor type) are shown in Table 21-42.

Table 21-41 shows the permissible values for the TYPE field in the descriptor header.

NOTE

Not all descriptor types are operationally useful. Some exist for test and debug reasons and to provide flexibility in dealing with evolving security standards. The cryptographic transforms required by most security protocols use types 0001 and 0010.

Table 21-41. Descriptor Types

Value	Descriptor Type	Notes
0000	aesu_ctr_nonsnoop	AESU CTR nonsnooping
0001	common_nonsnoop_no_afeu	Common, nonsnooping, non-PKEU, non-AFEU
0010	hmac_snoop_no_afeu	Snooping, HMAC, non-AFEU
0011	non_hmac_snoop_no_afeu	Snooping, non-HMAC, non-AFEU

Table 21-41. Descriptor Types (Continued)

Value	Descriptor Type	Notes
0100	aseu_key_expand_output	Non-snooping, non HMAC, AESU, expanded key out
0101	common_nonsnoop_afeu	Common, nonsnooping, AFEU
0110	hmac_snoop_afeu	Snooping, HMAC, AFEU (no context out)
0111	non_hmac_snoop_afeu	Snooping, non-HMAC, AFEU
1000	Reserved	
1001	Reserved	
1010	Reserved	
1011	Reserved	
1100	hmac_snoop_aesu_ctr	AESU CTR hmac snooping
1101	non_hmac_snoop_aesu_ctr	AESU CTR non-hmac snooping
1110	hmac_snoop_afeu_key_in	AFEU Context Out Available
1111	hmac_snoop_afeu_ctx_in	AFEU Context Out Available

Table 21-42 shows how the length/pointer pairs should be used with the various descriptor types to load keys, context, and data into the EUs, and how the required outputs should be unloaded.

NOTE

Some of the inputs and outputs will be optional depending on the exact usage of the descriptor.

Table 21-42. Descriptor Length/Pointer Mapping

Descriptor Type	L/P 1	L/P 2	L/P 3	L/P 4	L/P 5	L/P 6	L/P 7
0000	Null	IV	Key	Data In	Data Out	IV Out	MAC Out
0001	NULL	IV	Key	Data In	Data Out	IV Out	MAC Out
0010	HMAC Key	HMAC Data	Key	IV	Data In	Data Out	HMAC/Context Out
0011	MD Ctx In	IV	Key	Data In	Data Out	IV Out	MD/Context Out
0100	NULL	IV	Key	Data In	Data Out	IV Out	Key Out via FIFO
0101	NULL	IV in via FIFO	Key	Data In	Data Out	IV Out via FIFO	MD/Context Out
0110	HMAC Key	HMAC Data	Key	IV in via FIFO	Data In	Data Out	HMAC/Context Out
0111	MD Ctx In	IV in via FIFO	Key	Data In	Data Out	IV Out via FIFO	MD/Context Out
1000	—						
1001	—						
1010	—						
1011	—						
1100	HMAC Key	HMAC Data	Key	IV	Data In	Data Out	HMAC/Context Out
1101	MD Ctx In	IV	Key	Data In	Data Out	IV Out	MD/Context Out

Table 21-42. Descriptor Length/Pointer Mapping (Continued)

Descriptor Type	L/P 1	L/P 2	L/P 3	L/P 4	L/P 5	L/P 6	L/P 7
1110	HMAC Key	HMAC Data	Key	Data In	Data Out	IV Out via FIFO	HMAC/Context Out
1111	HMAC Key	HMAC Data	IV	Data In	Data Out	IV Out via FIFO	HMAC/Context Out

21.13.4 Descriptor Classes

The SEC has two general classes of descriptors: dynamic, which refers to a continually changing usage model, and static, which refers to a relatively unchanging usage of the SEC resources.

21.13.4.1 Dynamic Descriptors

In a typical networking environment, packets from innumerable sessions can arrive randomly. The host must determine which security association applies to the current packet and encrypt or decrypt without any knowledge of the security association of the previous or next packet. This situation calls for the use of dynamic descriptors.

When under dynamic assignment, an EU must be used under the assumption that a different crypto-channel (with a different context) may have just used the EU and that another crypto-channel (with yet another context) may use that EU immediately after the current crypto-channel has released the EU. Therefore, for dynamic-assignment use, there is a set of data packet descriptors defined that sets up the appropriate context, performs the cipher function, and then saves the context to system memory.

Figure 21-40 shows the format for a dynamic descriptor. Since TYPE 0001 and 0010 are the most commonly used, TYPE 0001 is used for the following examples. The descriptor loads context (IV) and keys into the EU. Then the input data is read and ciphered and the output is written to system memory. Finally, the new context is optionally written to system memory so that it can be used as the starting context for a new descriptor.

Figure 21-40. Dynamic Descriptor Example

Field Name	Value/Type	Description
Header	0xXXXX_XX1X	TYPE 0001
LEN_1	Length (not used)	NULL
PTR_1	Pointer (not used)	NULL
LEN_2	IV Length	Number of bytes of IV to be written to EU
PTR_2	IV Pointer	Address of IV
LEN_3	Key Length	Number of bytes of Key to be written to EU
PTR_3	Key Pointer	Address of Key
LEN_4	Data In Length	Number of bytes to be encrypted/decrypted
PTR_4	Data In Pointer	Address of data to be encrypted/decrypted
LEN_5	Data Out Length	Bytes to be written (should be equal to length of data in)
PTR_5	Data Out Pointer	Address where final data is written
LEN_6	IV Out Length	Number of bytes of IV to be written to memory (optional)

Figure 21-40. Dynamic Descriptor Example

Field Name	Value/Type	Description
PTR_6	IV Out Pointer	Address where IV is to be written (optional)
LEN_7	MAC Out Length	NULL
PTR_7	MAC Out Pointer	NULL
PTR_NEXT	Next Descriptor Pointer	Pointer to next data packet descriptor

21.13.4.2 Static Descriptors

Recall that the SEC has five execution units and two crypto-channels. The EUs can be statically assigned or dedicated to a particular crypto-channel. Certain combinations of EUs can be statically assigned to the same crypto-channel to facilitate multi-operation security processes, such as IPSec ESP mode. When the system traffic model permits its use, static assignment can offer significant performance improvements over dynamic assignment by avoiding key and context switching per packet.

NOTE

There is no mechanism for resetting an EU automatically when statically assigned, or when assignment is changed from static to dynamic. Therefore, it is recommended that the drivers always reset an EU prior to removing a static assignment to prevent the previously used context from polluting another encryption stream.

Static descriptors split the operations to be performed during a security operation into separate descriptors. The first descriptor is typically used to set the EU mode, load the key and context, and to optionally read/permute/write the first block of data. [Figure 21-41](#) shows the format for a TYPE 0001 data packet descriptor that loads a context and key, then encrypts or decrypts the first block of data. The LEN/PTR6 pair is NULL since there is no need to unload the context after the operation completes.

Figure 21-41. First Static Descriptor Example

Field Name	Value/Type	Description
Header	0xXXXX_XX1X	TYPE 0001
LEN_1	Length (not used)	NULL
PTR_1	Pointer (not used)	NULL
LEN_2	IV Length	Number of bytes of IV to be written to EU
PTR_2	IV Pointer	Address of IV
LEN_3	Key Length	Number of bytes of Key to be written to EU
PTR_3	Key Pointer	Address of Key
LEN_4	Data In Length	Number of bytes to be encrypted/decrypted
PTR_4	Data In Pointer	Address of data to be encrypted/decrypted
LEN_5	Data Out Length	Bytes to be written (should be equal to length of data in)
PTR_5	Data Out Pointer	Address where final data is written
LEN_6	IV Out Length	NULL

Figure 21-41. First Static Descriptor Example

Field Name	Value/Type	Description
PTR_6	IV Out Pointer	NULL
LEN_7	MAC Out Length	NULL
PTR_7	MAC Out Pointer	NULL
PTR_NEXT	Next Descriptor Pointer	Pointer to next data packet descriptor

The middle (and multiple subsequent) descriptors contains length/pointer pairs to the remaining data to be permuted. [Figure 21-42](#) shows the format for a TYPE 0001 data packet descriptor that encrypts or decrypts a block of data. Since the context and keys were loaded into the EU by a previous data packet descriptor the LEN/PTR2 and LEN/PTR3 pairs are both NULL

Figure 21-42. Middle Static Descriptor Example

Field Name	Value/Type	Description
Header	0xXXXX_XX1X	TYPE 0001
LEN_1	Length (not used)	NULL
PTR_1	Pointer (not used)	NULL
LEN_2	IV Length	NULL
PTR_2	IV Pointer	NULL
LEN_3	Key Length	NULL
PTR_3	Key Pointer	NULL
LEN_4	Data In Length	Number of bytes to be encrypted/decrypted
PTR_4	Data In Pointer	Address of data to be encrypted/decrypted
LEN_5	Data Out Length	Bytes to be written (should be equal to length of data in)
PTR_5	Data Out Pointer	Address where final data is written
LEN_6	IV Out Length	NULL
PTR_6	IV Out Pointer	NULL
LEN_7	MAC Out Length	NULL
PTR_7	MAC Out Pointer	NULL
PTR_NEXT	Next Descriptor Pointer	Pointer to next data packet descriptor

The final descriptor reads, permutes, and writes the final block of data, and outputs any context that needs to be preserved for later use. [Figure 21-43](#) shows the format for a TYPE 0001 data packet descriptor that encrypts or decrypts the final block of data and then optionally unloads the context.

Figure 21-43. Final Static Descriptor Example

Field Name	Value/Type	Description
Header	0xXXXX_XX1X	TYPE 0001
LEN_1	Length (not used)	NULL

Figure 21-43. Final Static Descriptor Example (Continued)

Field Name	Value/Type	Description
PTR_1	Pointer (not used)	NULL
LEN_2	IV Length	NULL
PTR_2	IV Pointer	NULL
LEN_3	Key Length	NULL
PTR_3	Key Pointer	NULL
LEN_4	Data In Length	Number of bytes to be encrypted/decrypted
PTR_4	Data In Pointer	Address of data to be encrypted/decrypted
LEN_5	Data Out Length	Bytes to be written (should be equal to length of data in)
PTR_5	Data Out Pointer	Address where final data is written
LEN_6	IV Out Length	Number of bytes of IV to be written to memory (optional)
PTR_6	IV Out Pointer	Address where IV is to be written
LEN_7	MAC Out Length	NULL
PTR_7	MAC Out Pointer	NULL
PTR_NEXT	Next Descriptor Pointer	Pointer to next data packet descriptor

Because the key and context are unchanging over multiple packets (or descriptors), the series of short reads and writes required to set-up and tear down a session are avoided. This savings, along with the crypto-channel having dedicated execution units, represents a noticeable performance improvement.

21.14 EU Specific Data Packet Descriptors

The following sections describe the data packet descriptor formats used with each of the SEC's EUs. The EU mode options (programmable via the PMODE and SMODE fields in the descriptor header) are also covered.

21.14.1 AFEU Mode Options and Data Packet Descriptors

The AFEU implements an acceleration of a stream cipher compatible with RC4. There are several different usage modes available.

	7	6	5	4	3	2	1	0
Field	—					CS	DC	PP
Reset	0000_0000							
Loc	PEUMODE/SEUMODE Field in DPD Header							

Figure 21-44. AFEU Mode Options

Table 21-43 describes AFEU mode option fields.

Table 21-43. AFEU Mode Register Field Descriptions

Bits	Name	Description
7–3	—	Reserved
2	CS	Context Source. If set, this causes the context to be moved from the input FIFO into the S-box prior to starting encryption/decryption. Otherwise, context should be directly written to the context registers. Context Source is only checked if the prevent permute bit is set. 0 Context not from FIFO 1 Context from input FIFO
1	DC	Dump Context. If set, this causes the context to be moved from the S-box to the output FIFO following assertion AFEU's done interrupt. 0 Do not dump context 1 After cipher, dump context
0	PP	Prevent Permute. Normally, AFEU receives a key and uses that information to randomize the S-box. If reusing a context from a previous descriptor or if in static assignment mode, this bit should be set to prevent AFEU from re-performing this permutation step. 0 Perform S-Box permutation 1 Do not permute

The AFEU mode bits do not control cryptographic modes, only operational modes. Therefore, the AFEU only uses actual descriptors, i.e. there is not a representative format that is used with multiple header values.

21.14.1.1 Dynamically Assigned AFEU

Figure 21-45 shows the descriptor format to load a key into the AFEU and perform the initial context-permutation. Then the input data is ciphered and the context is unloaded.

Figure 21-45. Descriptor for a Dynamically Assigned AFEU Using a Key

Field Name	Value/Type	Description
Header	0x10200050	Perform permute and dump context (TYPE 0101)
LEN_1	Length (not used)	NULL
PTR_1	Pointer (not used)	NULL
LEN_2	IV Length	NULL
PTR_2	IV Pointer	NULL
LEN_3	Key Length	Number of bytes in key (5–16 bytes)
PTR_3	Key Pointer	Address of key to be written into AFEU
LEN_4	Data In Length	Number of bytes of data to be ciphered
PTR_4	Data In Pointer	Pointer to data to perform cipher upon
LEN_5	Data Out Length	Number of bytes of data after ciphering
PTR_5	Data Out Pointer	Pointer to location where cipher output is to be written
LEN_6	IV Out Length	Number of bytes in context (259 bytes)
PTR_6	IV Out Pointer	Location where AFEU context output is to be written

Figure 21-45. Descriptor for a Dynamically Assigned AFEU Using a Key

Field Name	Value/Type	Description
LEN_7	MD Out Length	NULL
PTR_7	MD Out Pointer	NULL
PTR_NEXT	Next Descriptor Pointer	Pointer to next data packet descriptor

Figure 21-46 shows the descriptor format to load a previously generated context into the AFEU. Then the input data is ciphered and the context is unloaded.

Figure 21-46. Descriptor for a Dynamically Assigned AFEU Using Context

Field Name	Value/Type	Description
Header	0x1070_0050	Don't permute, context from FIFO, and dump context (TYPE 0101)
LEN_1	Length (not used)	NULL
PTR_1	Pointer (not used)	NULL
LEN_2	IV Length	Number of bytes in context (259 bytes)
PTR_2	IV Pointer	Address of context to be loaded into AFEU
LEN_3	Key Length	NULL
PTR_3	Key Pointer	NULL
LEN_4	Data In Length	Number of bytes of data to be ciphered.
PTR_4	Data In Pointer	Pointer to data to perform cipher upon
LEN_5	Data Out Length	Number of bytes of data after ciphering
PTR_5	Data Out Pointer	Pointer to location where cipher output is to be written
LEN_6	IV Out Length	Number of bytes in context (259 bytes)
PTR_6	IV Out Pointer	Address where AFEU context output is to be written
LEN_7	MD Out Length	NULL
PTR_7	MD Out Pointer	NULL
PTR_NEXT	Next Descriptor Pointer	Pointer to next data packet descriptor

21.14.1.2 Statically Assigned AFEU

Statically assigning the AFEU to a particular crypto-channel permits the AFEU to retain state between data packets. The following descriptors support state-retention. Figure 21-47 shows the descriptor format to load a key into the AFEU and perform the initial context-permutation.

Figure 21-47. First Descriptor for a Statically Assigned AFEU Using a Key

Field Name	Value/Type	Description
Header	0x1000_0050	Perform permute (TYPE 0101)
LEN_1	Length (not used)	NULL
PTR_1	Pointer (not used)	NULL
LEN_2	IV Length	NULL
PTR_2	IV Pointer	NULL
LEN_3	Key Length	Number of bytes in key (5–16 bytes)
PTR_3	Key Pointer	Address of key to be written into AFEU
LEN_4	Data In Length	NULL
PTR_4	Data In Pointer	NULL
LEN_5	Data Out Length	NULL
PTR_5	Data Out Pointer	NULL
LEN_6	IV Out Length	NULL
PTR_6	IV Out Pointer	NULL
LEN_7	MAC Out Length	NULL
PTR_7	MAC Out Pointer	NULL
PTR_NEXT	Next Descriptor Pointer	Pointer to next data packet descriptor

Figure 21-48 shows the descriptor format to load a previously generated context into the AFEU.

Figure 21-48. First Descriptor for a Statically Assigned AFEU Using a Context

Field Name	Value/Type	Description
Header	0x1500_0050	Don't permute; context from FIFO (TYPE 0101)
LEN_1	Length (not used)	NULL
PTR_1	Pointer (not used)	NULL
LEN_2	IV Length	Number of bytes in context (259 bytes)
PTR_2	IV Pointer	Address of context to be loaded into AFEU
LEN_3	Key Length	NULL
PTR_3	Key Pointer	NULL
LEN_4	Data In Length	NULL
PTR_4	Data In Pointer	NULL
LEN_5	Data Out Length	NULL
PTR_5	Data Out Pointer	NULL
LEN_6	IV Out Length	NULL

Figure 21-48. First Descriptor for a Statically Assigned AFEU Using a Context

Field Name	Value/Type	Description
PTR_6	IV Out Pointer	NULL
LEN_7	MAC Out Length	NULL
PTR_7	MAC Out Pointer	NULL
PTR_NEXT	Next Descriptor Pointer	Pointer to next data packet descriptor

Figure 21-49 shows the descriptor format for the middle descriptor to perform the cipher on a block of data using a context or key that was loaded into the AFEU using either the first descriptors.

Figure 21-49. Middle Descriptor for a Statically Assigned AFEU

Field Name	Value/Type	Description
Header	0x1010_0050	Don't permute, context in AFEU (TYPE 0101)
LEN_1	Length (not used)	NULL
PTR_1	Pointer (not used)	NULL
LEN_2	IV Length	NULL
PTR_2	IV Pointer	NULL
LEN_3	Key Length	NULL
PTR_3	Key Pointer	NULL
LEN_4	Data In Length	Number of bytes of data to be ciphered.
PTR_4	Data In Pointer	Pointer to data to perform cipher upon
LEN_5	Data Out Length	Number of bytes of data after ciphering
PTR_5	Data Out Pointer	Pointer to location where cipher output is to be written
LEN_6	IV Out Length	NULL
PTR_6	IV Out Pointer	NULL
LEN_7	MAC Out Length	NULL
PTR_7	MAC Out Pointer	NULL
PTR_NEXT	Next Descriptor Pointer	Pointer to next data packet descriptor

Figure 21-50 shows the descriptor format for the final descriptor that unloads the context from the AFEU into system memory. Architectural implementation details prevent a stand alone unload-context descriptor, so context unload must always follow ciphering within a single descriptor.

Figure 21-50. Final Descriptor for a Statically Assigned AFEU

Field Name	Value/Type	Description
Header	0x1030_0050	Don't permute, context in AFEU, and dump context (TYPE 0101)
LEN_1	Length (not used)	NULL
PTR_1	Pointer (not used)	NULL

Figure 21-50. Final Descriptor for a Statically Assigned AFEU

Field Name	Value/Type	Description
LEN_2	IV Length	NULL
PTR_2	IV Pointer	NULL
LEN_3	Key Length	NULL
PTR_3	Key Pointer	NULL
LEN_4	Data In Length	Number of bytes of data to be ciphered.
PTR_4	Data In Pointer	Pointer to data to perform cipher upon
LEN_5	Data Out Length	Number of bytes of data after ciphering
PTR_5	Data Out Pointer	Pointer to location where cipher output is to be written
LEN_6	IV Out Length	Number of bytes in context (259 bytes)
PTR_6	IV Out Pointer	Address where AFEU context output is to be written
LEN_7	MAC Out Length	NULL
PTR_7	MAC Out Pointer	NULL
PTR_NEXT	Next Descriptor Pointer	Pointer to next data packet descriptor

21.14.2 DEU Mode Options and Data Packet Descriptors

Figure 21-51 shows the DEU options that are programmable via the PMODE field in the descriptor header.

	7	6	5	4	3	2	1	0
Field	—					CE	TS	ED
Reset	0000_0000							
Loc	PMODE Field in DPD Header							

Figure 21-51. DEU Mode Options

Table 21-44 describes DEU mode register fields.

Table 21-44. DEU Mode Option Field Descriptions

Bits	Name	Description
0–4	—	Reserved
5	CE	CBC/ECB. If set, DEU operates in cipher-block-chaining mode. If not set, DEU operates in electronic codebook mode. 0 ECB mode 1 CBC mode

Table 21-44. DEU Mode Option Field Descriptions (Continued)

Bits	Name	Description
6	TS	Triple/Single DES. If set, DEU operates the Triple DES algorithm; if not set, DEU operates the single DES algorithm. 0 Single DES (SDES) 1 Triple DES (TDES)
7	ED	Encrypt/decrypt. If set, DEU operates the encryption algorithm; if not set, DEU operates the decryption algorithm. 0 Perform decryption 1 Perform encryption

21.14.2.1 Dynamically Assigned DEU

For IPsec processing, it is envisioned that the SEC will need to process small packets of data associated with many different contexts. This descriptor type is designed to optimize system throughput in a case where the DEU module is dynamically assigned by the controller to whichever crypto-channel requests it.

Figure 21-52 shows a descriptor that loads a key and context (IV) into the DEU, performs the cipher on data, and writes the result and optional context (IV) to memory.

Figure 21-52. Descriptor for a Dynamically Assigned DEU

Field Name	Value/Type	Description
Header	Table 21-45	Header common to several descriptors (TYPE 0001)
LEN_1	Length (not used)	NULL
PTR_1	Pointer (not used)	NULL
LEN_2	IV Length	Number of bytes of IV to be written (always 8) (not used in ECB mode)
PTR_2	IV Pointer	Pointer to context to be written into DEU (not used in ECB mode)
LEN_3	Key Length	Number of bytes in Key (8 for SDES; 16 or 24 or TDES)
PTR_3	Key Pointer	Address of Key
LEN_4	Data In Length	Number of bytes of data to be ciphered (multiple of 8)
PTR_4	Data In Pointer	Address of data to be ciphered
LEN_5	Data Out Length	Bytes of output data (should be equal to length of data in)
PTR_5	Data Out Pointer	Address to write output data
LEN_6	IV Out Length	Number of bytes of output IV to be written (always 8) (optional)
PTR_6	IV Out Pointer	Address where output IV is to be written (optional)
LEN_7	MAC Out Length	NULL
PTR_7	MAC Out Pointer	NULL
PTR_NEXT	Next Descriptor Pointer	Pointer to next data packet descriptor

Table 21-45 lists several different descriptors that use the format shown in Figure 21-52.

Table 21-45. Typical Header Values for Dynamic DEU Descriptor Format

Header Value	E/C	S/T	E/D
0x20500010	CBC	Single DES	Encrypt
0x20400010	CBC	Single DES	Decrypt
0x20700010	CBC	Triple DES	Encrypt
0x20600010	CBC	Triple DES	Decrypt
0x20100010	ECB	Single DES	Encrypt
0x20000010	ECB	Single DES	Decrypt
0x20300010	ECB	Triple DES	Encrypt
0x20200010	ECB	Triple DES	Decrypt

21.14.2.2 Statically Assigned DEU

When statically assigned, it can be assumed that no other crypto-channel will access the DEU in between descriptors. Therefore, in this usage mode, the context remains within the DEU. The DEU is programmed with the particular mode of operation at the time of context-load. The following descriptors have been optimized for encryption/decryption of multiple data packets per context load.

Figure 21-53 shows the first descriptor that loads a key and optional context (IV) into the DEU, then performs the initial cipher.

Figure 21-53. First Descriptor for a Statically Assigned DEU

Field Name	Value/Type	Description
Header	Table 21-46	Header common to several descriptors (TYPE 0001)
LEN_1	Length (not used)	NULL
PTR_1	Pointer (not used)	NULL
LEN_2	IV Length	Number of bytes of IV to be written (always 8) (optional)
PTR_2	IV Pointer	Pointer to context to be written into DEU (optional)
LEN_3	Key Length	Number of bytes in Key (8 for SDES; 16 or 24 or TDES)
PTR_3	Key Pointer	Address of Key
LEN_4	Data In Length	Number of bytes of data to be ciphered (multiple of 8)
PTR_4	Data In Pointer	Address of data to be ciphered
LEN_5	Data Out Length	Bytes of output data (should be equal to length of data in)
PTR_5	Data Out Pointer	Address to write output data
LEN_6	IV Out Length	NULL
PTR_6	IV Out Pointer	NULL
LEN_7	MAC Out Length	NULL
PTR_7	MAC Out Pointer	NULL
PTR_NEXT	Next Descriptor Pointer	Pointer to next data packet descriptor

Table 21-46 lists the specific descriptors that use the format shown in Figure 21-53.

Table 21-46. Typical Header Values for First Static DEU Descriptor Format

Header Value	E/C	S/T	E/D
0x20500010	CBC	Single DES	Encrypt
0x20400010	CBC	Single DES	Decrypt
0x20700010	CBC	Triple DES	Encrypt
0x20600010	CBC	Triple DES	Decrypt
0x20100010	ECB	Single DES	Encrypt
0x20000010	ECB	Single DES	Decrypt
0x20300010	ECB	Triple DES	Encrypt
0x20200010	ECB	Triple DES	Decrypt

Figure 21-54 shows the middle descriptor that performs a cipher on data using the key and optional context (IV) that were loaded into the DEU by the first descriptor.

Figure 21-54. Middle Descriptor for a Statically Assigned DEU

Field Name	Value/Type	Description
Header	Table 21-47	Header common to several descriptors (TYPE 0001)
LEN_1	Length (not used)	NULL
PTR_1	Pointer (not used)	NULL
LEN_2	IV Length	NULL
PTR_2	IV Pointer	NULL
LEN_3	Key Length	NULL
PTR_3	Key Pointer	NULL
LEN_4	Data In Length	Number of bytes of data to be ciphered (multiple of 8)
PTR_4	Data In Pointer	Address of data to be ciphered
LEN_5	Data Out Length	Bytes of output data (should be equal to length of data in)
PTR_5	Data Out Pointer	Address to write output data
LEN_6	IV Out Length	NULL
PTR_6	IV Out Pointer	NULL
LEN_7	MAC Out Length	NULL
PTR_7	MAC Out Pointer	NULL
PTR_NEXT	Next Descriptor Pointer	Pointer to next data packet descriptor

Table 21-47 lists the specific descriptors that use the format shown in Figure 21-54.

Table 21-47. Typical Header Values for Middle Static DEU Descriptor Format

Header Value	E/C	S/T	E/D
0x20500010	CBC	Single DES	Encrypt
0x20400010	CBC	Single DES	Decrypt
0x20700010	CBC	Triple DES	Encrypt
0x20600010	CBC	Triple DES	Decrypt
0x20100010	ECB	Single DES	Encrypt
0x20000010	ECB	Single DES	Decrypt
0x20300010	ECB	Triple DES	Encrypt
0x20200010	ECB	Triple DES	Decrypt

Figure 21-55 shows the final descriptor that performs a cipher on data using the key and optional context (IV) that were loaded into the DEU by a previous descriptor, then optionally unloads the context.

Figure 21-55. Final Descriptor for a Statically Assigned DEU

Field Name	Value/Type	Description
Header	Table 21-48	Header common to several descriptors (TYPE 0001)
LEN_1	Length (not used)	NULL
PTR_1	Pointer (not used)	NULL
LEN_2	IV Length	NULL
PTR_2	IV Pointer	NULL
LEN_3	Key Length	NULL
PTR_3	Key Pointer	NULL
LEN_4	Data In Length	Number of bytes of data to be ciphered (multiple of 8)
PTR_4	Data In Pointer	Address of data to be ciphered
LEN_5	Data Out Length	Bytes of output data (should be equal to length of data in)
PTR_5	Data Out Pointer	Address to write output data
LEN_6	IV Out Length	Number of bytes of output IV to be written (always 8) (optional)
PTR_6	IV Out Pointer	Address where output IV is to be written (optional)
LEN_7	MAC Out Length	NULL
PTR_7	MAC Out Pointer	NULL
PTR_NEXT	Next Descriptor Pointer	Pointer to next data packet descriptor

Table 21-48 lists the specific descriptors that use the format shown in Figure 21-55.

Table 21-48. Typical Header Values Final Static DEU Descriptor Format

Header Value	E/C	S/T	E/D
0x20500010	CBC	Single DES	Encrypt
0x20400010	CBC	Single DES	Decrypt
0x20700010	CBC	Triple DES	Encrypt
0x20600010	CBC	Triple DES	Decrypt
0x20100010	ECB	Single DES	Encrypt
0x20000010	ECB	Single DES	Decrypt
0x20300010	ECB	Triple DES	Encrypt
0x20200010	ECB	Triple DES	Decrypt

21.14.3 MDEU Mode Options and Data Packet Descriptors

The MDEU mode options, shown in [Figure 21-56](#), contains 8 bits which are used to program the MDEU. The mode options are cleared when the MDEU is reset or re-initialized. Setting a reserved mode bit will generate a data error. If the mode options are modified during processing, a context error will be generated.

	7	6	5	4	3	2	1	0
Field	CONT	—		INT	HMAC	PD		ALG
Reset	0000_0000							
Loc	PMODE/SMODE Field in DPD Header							

Figure 21-56. MDEU Mode Options

[Table 21-49](#) describes MDEU mode option fields.

Table 21-49. MDEU Mode Option Field Descriptions

Bits	Name	Description
7	CONT	Continue. Used during HMAC/HASH processing when the data to be hashed is spread across multiple descriptors. 0 Don't Continue- operate the MDEU in auto completion mode. 1 Preserve context to operate the MDEU in continuation mode.
6–5	—	Reserved
4	INT	Initialization. Cause an algorithm-specific initialization of the digest registers. Most operations will require this bit to be set. Only static operations that are continuing from a known intermediate hash value would not initialize the registers. 0 Do not initialize 1 Initialize the selected algorithm's starting registers
3	HMAC	HMAC enable. Identifies the hash operation to execute: 0 Perform standard hash 1 Perform HMAC operation. This requires a key and key length information.

Table 21-49. MDEU Mode Option Field Descriptions (Continued)

Bits	Name	Description
2	PD	Pad. If set, configures the MDEU to automatically pad partial message blocks. 0 Do not autopad 1 Perform automatic message padding whenever an incomplete message block is detected.
1-0	ALG	Algorithm selection. Determines the algorithm to be used for operations. 00 SHA-160 algorithm (full name for SHA-1) 01 SHA-256 algorithm 10 MD5 algorithm 11 Reserved

The MDEU implements hardware accelerated hashing of data using MD5, SHA-160, or SHA-256. Because it supports several different hashing algorithms, there are four representative descriptor formats supporting more different actual descriptors. The only variation between the actual descriptors are the values used for the header fields.

21.14.3.1 Recommended Settings for MDEU Mode Register

The most common task that is likely to be executed by means of the MDEU is HMAC generation. HMACs are used to provide message integrity within a number of security protocols, including IPsec and SSL/TLS. [Table 21-50](#) shows the recommended MDEU mode register settings for using a single dynamic descriptor or a chain of descriptors when the MDEU is statically assigned.

Table 21-50. Recommended MDEU Mode Register Settings

Descriptor Type	Continue	Initialize	HMAC	Pad
Dynamic Descriptor	No	Yes	Yes	Yes
First Static Descriptor	Yes	Yes	Yes	No
Middle Static Descriptor	Yes	No	No	No
Final Static Descriptor	No	No	Yes	Yes

21.14.3.2 Dynamically Assigned MDEU

[Figure 21-57](#) shows the descriptor format used for a dynamically assigned MDEU. The context is loaded into the MDEU, input data is fetched and hashed, then the output data and context are written to memory. Note that the result of a hash is also the context. Because all of the data necessary to calculate the HMAC in a single dynamic descriptor is available, Initialize and Autopad are set, while Continue is off.

The descriptor header also encodes the descriptor TYPE 0001, which defines the input and output ordering for “common_nonsnoop_no_afeu.” This is the descriptor type used for most operations which do not require a secondary EU. Following some null pointers, the context (optional) and the key is loaded (for HMAC mode), followed by the length and pointer to the data over which the HMAC will be calculated.

The data is brought into the MDEU input FIFO, and when the final byte of data to be hashed has been processed through the MDEU, the descriptor will cause the MDEU to write the hash to the indicated area in system memory. The SEC will write the results (16, 20, or 32 bits) to memory. Depending on whether the packet is inbound or outbound, the host will either insert the most significant bytes (the exact number of bytes used depends on the security protocol) of the HMAC generated by the SEC into the packet header

(outbound) or compare the hash generated by the SEC with the hash which was received with the packet (inbound). If the hashes match, the packet integrity check passes.

Figure 21-57. Descriptor for a Dynamically Assigned MDEU

Field Name	Value/Type	Description
Header	see Table 21-51	Header common to several descriptors (TYPE 0001)
LEN_1	Length (not used)	NULL
PTR_1	Pointer (not used)	NULL
LEN_2	IV Length	Number of bytes of IV to be written (optional) (40 bytes)
PTR_2	IV Pointer	Pointer to context to be written into MDEU (optional)
LEN_3	Key Length	Number of bytes of key (only used for HMAC mode)
PTR_3	Key Pointer	Pointer to key (only used for HMAC mode)
LEN_4	Data In Length	Number of bytes of data to be hashed
PTR_4	Data In Pointer	Pointer to data to perform hash upon
LEN_5	Data Out Length	NULL
PTR_5	Data Out Pointer	NULL
LEN_6	IV Out Length	Number of bytes of data after hashing (16, 20, or 32 for hash result. 40 bytes for full context including message length count.)
PTR_6	IV Out Pointer	Pointer to location where hash output is to be written
LEN_7	MAC Out Length	NULL
PTR_7	MAC Out Pointer	NULL
PTR_NEXT	Next Descriptor Pointer	Pointer to next data packet descriptor

[Table 21-51](#) lists several different descriptors that use the format shown in [Figure 21-57](#).

Table 21-51. Typical Header Values for Dynamic MDEU Format

Header Value	Algorithm	HMAC	Pad
0x30500010	SHA256	No	Yes
0x30600010	MD5	No	Yes
0x30400010	SHA	No	Yes
0x31D0010	SHA256	Yes	Yes
0x31E00010	MD5	Yes	Yes
0x31C00010	SHA	Yes	Yes

21.14.3.3 Statically Assigned MDEU

[Figure 21-58](#) shows the first descriptor for a statically assigned MDEU.

Figure 21-58. First Descriptor for a Statically Assigned MDEU

Field Name	Value/Type	Description
Header	see Table 21-52	Header common to several descriptors (TYPE 0001)
LEN_1	Length (not used)	NULL
PTR_1	Pointer (not used)	NULL
LEN_2	IV Length	Number of bytes of IV to be written (optional) (40 bytes)
PTR_2	IV Pointer	Pointer to context to be written into MDEU (optional)
LEN_3	Key Length	Number of bytes of key (only used for HMAC mode)
PTR_3	Key Pointer	Pointer to key (only used for HMAC mode)
LEN_4	Data In Length	Number of bytes of data to be hashed (64 bytes)
PTR_4	Data In Pointer	Pointer to data to perform hash upon
LEN_5	Data Out Length	NULL
PTR_5	Data Out Pointer	NULL
LEN_6	IV Out Length	Number of bytes in intermediate hash output (16, 20, or 32 bytes)
PTR_6	IV Out Pointer	Pointer to location where intermediate hash output is to be written
LEN_7	MAC Out Length	NULL
PTR_7	MAC Out Pointer	NULL
PTR_NEXT	Next Descriptor Pointer	Pointer to next data packet descriptor

[Table 21-52](#) lists several different descriptors that use the format shown in [Figure 21-58](#).

Table 21-52. Typical Header Values for Using First Static MDEU Descriptor Format

Header Value	Algorithm	HMAC	Pad
0x31100010	SHA256	No	No
0x31200010	MD5	No	No
0x31000010	SHA	No	No
0x39900010	SHA256	Yes	No
0x39A00010	MD5	Yes	No
0x39800010	SHA	Yes	No

[Figure 21-59](#) shows the middle descriptor for a statically assigned MDEU.

Figure 21-59. Middle Descriptor for a Statically Assigned MDEU

Field Name	Value/Type	Description
Header	see Table 21-53	Header common to several descriptors (TYPE 0001)
LEN_1	Length (not used)	NULL

Figure 21-59. Middle Descriptor for a Statically Assigned MDEU (Continued)

Field Name	Value/Type	Description
PTR_1	Pointer (not used)	NULL
LEN_2	IV Length	Number of bytes in intermediate hash input (16, 20, or 32 bytes)
PTR_2	IV Pointer	Pointer to location of intermediate hash input
LEN_3	Key Length	Number of bytes of key (only used for HMAC mode)
PTR_3	Key Pointer	Pointer to key (only used for HMAC mode)
LEN_4	Data In Length	Number of bytes of data to be hashed (64 bytes)
PTR_4	Data In Pointer	Pointer to data to perform hash upon
LEN_5	Data Out Length	NULL
PTR_5	Data Out Pointer	NULL
LEN_6	IV Out Length	Number of bytes in intermediate hash output (16, 20, or 32 bytes)
PTR_6	IV Out Pointer	Pointer to location where intermediate hash output is to be written
LEN_7	MAC Out Length	NULL
PTR_7	MAC Out Pointer	NULL
PTR_NEXT	Next Descriptor Pointer	Pointer to next data packet descriptor

Table 21-53 lists several different descriptors that use the middle descriptor format shown in Figure 21-59.

NOTE

For the middle descriptor the HMAC bit should always be cleared, even if HMAC is the desired final value. Therefore the table below does not include any HMAC specific settings.

Table 21-53. Typical Header Values for Using Middle Static MDEU Descriptor Format

Header Value	Algorithm	HMAC	Pad
0x38100010	SHA256	No	No
0x38200010	MD5	No	No
0x38000010	SHA	No	No

Figure 21-60 shows the final descriptor for a statically assigned MDEU.

Figure 21-60. Final Descriptor for a Statically Assigned MDEU

Field Name	Value/Type	Description
Header	see Table 21-54	Header common to several descriptors (TYPE 0001)
LEN_1	Length (not used)	NULL
PTR_1	Pointer (not used)	NULL

Figure 21-60. Final Descriptor for a Statically Assigned MDEU (Continued)

Field Name	Value/Type	Description
LEN_2	IV Length	Number of bytes in intermediate hash (16, 20, or 32 bytes)
PTR_2	IV Pointer	Pointer to location of intermediate hash
LEN_3	Key Length	Number of bytes of key (only used for HMAC mode)
PTR_3	Key Pointer	Pointer to key (only used for HMAC mode)
LEN_4	Data In Length	Number of bytes of data to be hashed
PTR_4	Data In Pointer	Pointer to data to perform hash upon
LEN_5	Data Out Length	NULL
PTR_5	Data Out Pointer	NULL
LEN_6	IV Out Length	Number of bytes of data after hashing (16, 20, or 32 bytes)
PTR_6	IV Out Pointer	Pointer to location where hash output is to be written
LEN_7	MAC Out Length	NULL
PTR_7	MAC Out Pointer	NULL
PTR_NEXT	Next Descriptor Pointer	Pointer to next data packet descriptor

Table 21-54 lists several different descriptors that use the final MDEU descriptor format shown in Figure 21-60.

Table 21-54. Typical Header Values for Using Final Static MDEU Descriptor Format

Header Value	Algorithm	HMAC	Pad
0x30500010	SHA256	No	Yes
0x30600010	MD5	No	Yes
0x30400010	SHA	No	Yes
0x30D00010	SHA256	Yes	Yes
0x30E00010	MD5	Yes	Yes
0x30C00010	SHA	Yes	Yes

21.14.4 RNG Data Packet Descriptors

There is one RNG-specific data packet descriptor. It causes a read of the RNG's output FIFO and then writes the specified number of random bytes into external memory.

NOTE

There RNG EU does not contain any user writable mode options, so it is not defined here. The PMODE field in the header should always be '0' for RNG data packet descriptors.

Figure 21-61. RNG Descriptor Format

Field Name	Value/Type	Description
Header	0x4000_0010	RNG descriptor (TYPE 0001)
LEN_1	Length (not used)	NULL
PTR_1	Pointer (not used)	NULL
LEN_2	IV Length	NULL
PTR_2	IV Pointer	NULL
LEN_3	Key Length	NULL
PTR_3	Key Pointer	NULL
LEN_4	Data In Length	NULL
PTR_4	Data In Pointer	NULL
LEN_5	Data Out Length	Number of random bytes to be written (multiple of 4)
PTR_5	Data Out Pointer	Address where random numbers are written
LEN_6	IV Out Length	NULL
PTR_6	IV Out Pointer	NULL
LEN_7	MAC Out Length	NULL
PTR_7	MAC Out Pointer	NULL
PTR_NEXT	Next Descriptor Pointer	Pointer to next data packet descriptor

21.14.5 AESU Mode Options and Data Packet Descriptors

The AESU mode register contains three bits which are used to program the AESU. The mode register is cleared when the AESU is reset or re-initialized. Setting a reserved mode bit will generate a data error. If the mode register is modified during processing, a context error will be generated.

Figure 21-62 shows the AESU options that are programmable via the PMODE field in the descriptor header.

	7	6	5	4	3	2	1	0
Field	ECM	—	FM	IM	—	CM		ED
Reset	0000_0000							
Loc	PMODE Field in DPD Header							

Figure 21-62. AESU Mode Options

Table 21-55 describes AESU mode register fields.

Table 21-55. AESU Mode Register Field Descriptions

Bits	Name	Description
7	ECM	Extend Cipher Mode. Used in combination with the cipher mode (CM field) to define the mode of AES operation. 0 No Cipher Mode extension in use, Cipher Mode selected by CM values 1 Extended Cipher Mode. Indicates AES-Counter Mode with CBC-MAC (AES-CCM) is in use. Note: CM must be set to 00 when Extend Cipher Mode is set, otherwise an error will be generated.
6	—	Reserved, should be cleared.
5	FM	Final MAC. Processes final message block and generates final MAC tag at end of message processing (OCB and CCM mode only) 0 Do not generate final MAC tag 1 Generate final MAC tag after CCM processing is complete.
4	IM	Initialize MAC. Initializes AESU for new message (CCM mode only) 0 Do not initialize (context will be loaded by host) 1 Initialize new message with nonce
3	—	Reserved, should be cleared.
2–1	CM	Cipher Mode. Controls which cipher mode the AESU will use in processing: 00 ECB -Electronic Codebook mode. 01 CBC- Cipher Block Chaining mode. 10 Reserved 11 CTR- Counter Mode. Note: CM must be set to 00 when Extend Cipher Mode (Bit 0) is set, otherwise an error will be generated.
0	ED	Encrypt/Decrypt. If set, AESU operates the encryption algorithm; if not set, AESU operates the decryption algorithm. Note: This bit is ignored if CM is set to “11” - CTR Mode. 0 Perform decryption 1 Perform encryption

21.14.5.1 Dynamically Assigned AESU

Figure 21-63 shows a descriptor for a dynamically assigned AESU. The descriptor loads a key into the AESU, performs the cipher on data, and writes the result and optional context (IV) to memory.

Figure 21-63. Descriptor for a Dynamically Assigned AESU

Field Name	Value/Type	Description
Header	Table 21-54	Header common to several descriptors (TYPE 0001)
LEN_1	Length (not used)	NULL
PTR_1	Pointer (not used)	NULL
LEN_2	IV Length	Number of bytes in input IV (56 bytes) (optional)
PTR_2	IV Pointer	Address of input IV (optional)
LEN_3	Key Length	Number of bytes in Key (16, 24, or 32 bytes)

Figure 21-63. Descriptor for a Dynamically Assigned AESU (Continued)

Field Name	Value/Type	Description
PTR_3	Key Pointer	Address of Key
LEN_4	Data In Length	Number of bytes of data to be ciphered (multiple of 16)
PTR_4	Data In Pointer	Address of data to be ciphered
LEN_5	Data Out Length	Bytes of output data (should be equal to length of data in)
PTR_5	Data Out Pointer	Address to write output data
LEN_6	IV Out Length	Number of bytes of output IV to be written (56 bytes) (optional)
PTR_6	IV Out Pointer	Address where output IV is to be written (optional)
LEN_7	MAC Out Length	NULL
PTR_7	MAC Out Pointer	NULL
PTR_NEXT	Next Descriptor Pointer	Pointer to next data packet descriptor

Table 21-56 lists several different descriptors that use the format shown in Figure 21-63.

Table 21-56. Typical Header Values for Dynamic AESU Format

Header Value	Mode	E/D
0x6030010	CBC	Encrypt
0x60200010	CBC	Decrypt
0x6010010	ECB	Encrypt
0x60000010	ECB	Decrypt
0x60600010	CTR	—

21.14.5.2 Statically Assigned AESU

Figure 21-58 shows the first descriptor for a statically assigned AESU.

Figure 21-64. First Descriptor for a Statically Assigned AESU

Field Name	Value/Type	Description
Header	see Table 21-57	Header common to several descriptors (TYPE 0001)
LEN_1	Length (not used)	NULL
PTR_1	Pointer (not used)	NULL
LEN_2	IV Length	Number of bytes in input IV (56 bytes) (optional)
PTR_2	IV Pointer	Address of input IV (optional)
LEN_3	Key Length	Number of bytes in Key (16, 24, or 32 bytes)
PTR_3	Key Pointer	Address of Key
LEN_4	Data In Length	Number of bytes of data to be ciphered (multiple of 16)

Figure 21-64. First Descriptor for a Statically Assigned AESU (Continued)

Field Name	Value/Type	Description
PTR_4	Data In Pointer	Address of data to be ciphered
LEN_5	Data Out Length	Bytes of output data (should be equal to length of data in)
PTR_5	Data Out Pointer	Address to write output data
LEN_6	IV Out Length	NULL
PTR_6	IV Out Pointer	NULL
LEN_7	MAC Out Length	NULL
PTR_7	MAC Out Pointer	NULL
PTR_NEXT	Next Descriptor Pointer	Pointer to next data packet descriptor

Table 21-57 lists several different descriptors that use the format shown in Figure 21-64.

Table 21-57. Typical Header Values for Using First Static AESU Descriptor Format

Header Value	Mode	E/D
0x6030010	CBC	Encrypt
0x60200010	CBC	Decrypt
0x6010010	ECB	Encrypt
0x60000010	ECB	Decrypt
0x60600010	CTR	—

Figure 21-65 shows the middle descriptor for a statically assigned AESU.

Figure 21-65. Middle Descriptor for a Statically Assigned AESU

Field Name	Value/Type	Description
Header	see Table 21-58	Header common to several descriptors (TYPE 0001)
LEN_1	Length (not used)	NULL
PTR_1	Pointer (not used)	NULL
LEN_2	IV Length	NULL
PTR_2	IV Pointer	NULL
LEN_3	Key Length	NULL
PTR_3	Key Pointer	NULL
LEN_4	Data In Length	Number of bytes of data to be ciphered (multiple of 16)
PTR_4	Data In Pointer	Address of data to be ciphered
LEN_5	Data Out Length	Bytes of output data (should be equal to length of data in)
PTR_5	Data Out Pointer	Address to write output data
LEN_6	IV Out Length	NULL

Figure 21-65. Middle Descriptor for a Statically Assigned AESU (Continued)

Field Name	Value/Type	Description
PTR_6	IV Out Pointer	NULL
LEN_7	MAC Out Length	NULL
PTR_7	MAC Out Pointer	NULL
PTR_NEXT	Next Descriptor Pointer	Pointer to next data packet descriptor

Table 21-58 lists several different descriptors that use the middle descriptor format shown in Figure 21-65.

Table 21-58. Typical Header Values for Using Middle Static AESU Descriptor Format

Header Value	Mode	E/D
0x6030010	CBC	Encrypt
0x60200010	CBC	Decrypt
0x6010010	ECB	Encrypt
0x60000010	ECB	Decrypt
0x60600010	CTR	—

Figure 21-66 shows the final descriptor for a statically assigned AESU.

Figure 21-66. Final Descriptor for a Statically Assigned AESU

Field Name	Value/Type	Description
Header	see Table 21-59	Header common to several descriptors (TYPE 0001)
LEN_1	Length (not used)	NULL
PTR_1	Pointer (not used)	NULL
LEN_2	IV Length	NULL
PTR_2	IV Pointer	NULL
LEN_3	Key Length	NULL
PTR_3	Key Pointer	NULL
LEN_4	Data In Length	Number of bytes of data to be ciphered (multiple of 16)
PTR_4	Data In Pointer	Address of data to be ciphered
LEN_5	Data Out Length	Bytes of output data (should be equal to length of data in)
PTR_5	Data Out Pointer	Address to write output data
LEN_6	IV Out Length	Number of bytes of output IV to be written (56 bytes) (optional)
PTR_6	IV Out Pointer	Address where output IV is to be written (optional)
LEN_7	MAC Out Length	NULL

Figure 21-66. Final Descriptor for a Statically Assigned AESU (Continued)

Field Name	Value/Type	Description
PTR_7	MAC Out Pointer	NULL
PTR_NEXT	Next Descriptor Pointer	Pointer to next data packet descriptor

Table 21-59 lists several different descriptors that use the middle descriptor format shown in Figure 21-66.

Table 21-59. Typical Header Values for Using Final Static AESU Descriptor Format

Header Value	Mode	E/D
0x6030010	CBC	Encrypt
0x60200010	CBC	Decrypt
0x6010010	ECB	Encrypt
0x60000010	ECB	Decrypt
0x60600010	CTR	—

21.14.5.3 AESU-CCM Mode Descriptor

The SEC supports single pass, single descriptor AES-CCM processing for generic authenticate-and-encrypt block cipher. Figure 21-67 shows a the descriptor format used for AES-CCM in encryption mode. The descriptor loads a key and context (IV) into the AESU, performs the cipher on data, and writes the result and context to memory.

Figure 21-67. Descriptor for a AES-CCM Encryption

Field Name	Value/Type	Description
Header	0x6B100010	Header common to several descriptors (TYPE 0001)
LEN_1	Length (not used)	NULL
PTR_1	Pointer (not used)	NULL
LEN_2	IV Length	Number of bytes in IV (always 56 bytes)
PTR_2	IV Pointer	Address of IV
LEN_3	Key Length	Number of bytes in Key (16 bytes)
PTR_3	Key Pointer	Address of Key
LEN_4	Data In Length	Number of bytes of data to be ciphered (39 bytes)
PTR_4	Data In Pointer	Address of data to be ciphered
LEN_5	Data Out Length	Bytes of output data (24 bytes)
PTR_5	Data Out Pointer	Address to write output data
LEN_6	IV Out Length	Number of bytes of output IV to be written (24 or 32 bytes)
PTR_6	IV Out Pointer	Address where output IV is to be written
LEN_7	MAC Out Length	NULL

Figure 21-67. Descriptor for a AES-CCM Encryption (Continued)

Field Name	Value/Type	Description
PTR_7	MAC Out Pointer	NULL
PTR_NEXT	Next Descriptor Pointer	Pointer to next data packet descriptor

In order to use this descriptor format the correct ordering for the context in and context out must be used. [Table 21-60](#) shows the format used for the context input for AES-CCM.

Table 21-60. AES-CCM Encryption Context Input Format

Offset from Input Context Base Address	Field	Length	Description
0x0	IV	16 bytes	This is the session specific IV parameter
0x10	NULL	16 bytes	These 16 bytes are loaded with zeroes to serve as a placeholder
0x20	Counter	16 bytes	The counter is a second session specific parameter similar to the IV.
0x30	Counter modulus	8 bytes	Always 8 for 802.11, but can vary in other protocols.

[Table 21-61](#) shows the format used for the context output for AES-CCM.

Table 21-61. AES-CCM Encryption Context Output Format

Offset from Output Context Base Address	Field	Length	Description
0x0	—	16 bytes	This can be discarded
0x10	Encrypted MAC	8 bytes	This is the encrypted MAC to be appended to the frame prior to transmission.
0x18	Encrypted MAC (cont.)	8 bytes	If the MAC is larger than 8 bytes, this is the continuation of the encrypted MAC.

[Figure 21-68](#) shows a the descriptor format used for AES-CCM in encryption mode. The descriptor loads a key and context (IV) into the AESU, performs the cipher on data, and writes the result and context to memory.

Figure 21-68. Descriptor for a AES-CCM Decryption

Field Name	Value/Type	Description
Header	0x6B000010	Header common to several descriptors (TYPE 0001)
LEN_1	Length (not used)	NULL
PTR_1	Pointer (not used)	NULL
LEN_2	IV Length	Number of bytes in IV (always 56 bytes)
PTR_2	IV Pointer	Address of IV

Figure 21-68. Descriptor for a AES-CCM Decryption

Field Name	Value/Type	Description
LEN_3	Key Length	Number of bytes in Key (16 bytes)
PTR_3	Key Pointer	Address of Key
LEN_4	Data In Length	Number of bytes of data to be ciphered (39 bytes)
PTR_4	Data In Pointer	Address of data to be ciphered
LEN_5	Data Out Length	Bytes of output data (24 bytes)
PTR_5	Data Out Pointer	Address to write output data
LEN_6	IV Out Length	Number of bytes of output IV to be written (24 or 32 bytes)
PTR_6	IV Out Pointer	Address where output IV is to be written
LEN_7	MAC Out Length	NULL
PTR_7	MAC Out Pointer	NULL
PTR_NEXT	Next Descriptor Pointer	Pointer to next data packet descriptor

Table 21-62 shows the format used for the context input for AES-CCM.

Table 21-62. AES-CCM Decryption Context Input Format

Offset from Input Context Base Address	Field	Length	Description
0x0	IV	16 bytes	This is the session specific IV parameter
0x10	Encrypted MAC	8 bytes	These 8 bytes are loaded with the encrypted MAC from the inbound frame.
0x18	Encrypted MAC (cont.)	8 bytes	These 8 bytes can be used for the continuation of the encrypted MAC if it is larger than 8 bytes. Otherwise this field should be filled with zeroes.
0x20	Counter	16 bytes	The counter is a second session specific parameter similar to the IV.
0x30	Counter modulus	8 bytes	Always 8 for 802.11, but can vary in other protocols.

Table 21-61 shows the format used for the context output for AES-CCM.

Table 21-63. AES-CCM Decryption Context Output Format

Offset from Output Context Base Address	Field	Length	Description
0x0	MAC Tag	8 bytes	The MAC Tag is compared to the decrypted MAC
0x8	MAC Tag (cont.)	16 bytes	Continuation of the MAC Tag if it is larger than 8 bytes. Typically this field will be all zeroes.

Table 21-63. AES-CCM Decryption Context Output Format (Continued)

Offset from Output Context Base Address	Field	Length	Description
0x10	Decrypted MAC	8 bytes	Compared to the MAC tag to determine if the frame passes its integrity check.
0x18	Decrypted MAC (cont.)	8 bytes	If the MAC is larger than 16 bytes, this is the continuation of the decrypted MAC.

21.14.6 Multifunction Data Packet Descriptors

The SEC supports a limited subset of multifunction descriptors. In particular, the SEC supports chaining either DEU, AESU, or AFEU compatible outputs to the MDEU input. Further, the SEC can be configured such that the same data read into the DEU, AESU, or AFEU modules can be simultaneously directed to the MDEU module.

21.14.6.1 Snooping

As shown in [Figure 21-35](#), the ST bit in the descriptor header controls the type of “snooping” which must occur between the primary and secondary EU. The rationale of “in-snooping” vs. “out-snooping” is found in security protocols which perform both encryption and integrity checking, such as IPsec.

Upon transmission of an IPsec ESP packet, the “encapsulator” must encrypt the packet payload, then calculate an HMAC over the header plus encrypted payload. Because the MDEU cannot generate the HMAC without the output of the primary EU (the one performing the encryption, typically the DEU or AESU), the MDEU must out-snoop.

Upon receiving an IPsec packet, the “decapsulator” must calculate the HMAC over the encrypted portion or the packet prior to decryption. In this case in-snooping would be used. This allows the MEDU to source its data from the input FIFO of the primary EU without waiting for the primary EU to finish its task.

NOTE

Slightly different portions of an IPsec packet would pass through the primary and secondary EUs in both the in-snooping and out-snooping cases. These offsets are dealt with by providing different starting pointers and byte lengths to the channel in the body of the descriptor.

Figure 21-69 illustrates in-snooping and out-snooping.

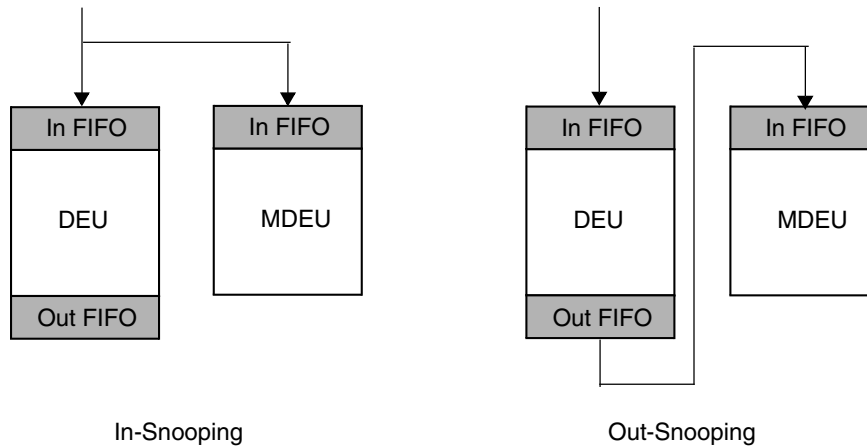


Figure 21-69. Snooping Example

21.14.6.2 Dynamic Multi-Function Descriptor Formats

Figure 21-70 shows the representative descriptor used for multi-function encryption such as inbound IPsec ESP. The descriptor header encodes to select the DEU or AESU as the primary EU, and the MDEU for the secondary EU. Because all the data necessary to calculate the HMAC in a single dynamic descriptor is available, initialize and autopad are set, while continue is cleared in the SMODE field.

The descriptor header also encodes the descriptor type 0010, which defines the input and output ordering for “hmac_snoop_no_afeu.” The HMAC key is loaded first, followed by the length and pointer to the data over which the HMAC will be calculated. The DEU/AESU key is loaded next, followed by the context (IV). The number of bytes to be ciphered and starting address will be an offset of the number of bytes being HMAC’d. The data to be decrypted and HMAC’d is only brought in the SEC a single time, with the DEU/AESU and MDEU only reading the portion that matches the starting address and byte length in the length/pointer fields corresponding to their data of interest.

Ciphertext is brought into the DEU/AESU input FIFO, with the MDEU in-snooping the portion of the data it has been told to process. As the decryption continues, the plaintext fills the DEU/AESU output FIFO, and this data is written back to system memory as needed. When the final byte of data to be HMAC’d has been processed through the MDEU, the descriptor will cause the MDEU to write the HMAC to the indicated area in system memory. Software will compare the most significant bytes of the HMAC generated by the SEC with the HMAC which was received with the in-bound packet (the exact number of bytes compared depend on the security protocol used). If the HMACs match, the integrity check passes.

Figure 21-70. Descriptor for Dynamic Multi-Function Decryption

Field Name	Value/Type	Description
Header	Table 21-64	Header common to several descriptors (TYPE 0010)
LEN_1	HMAC Key Length	Number of bytes in HMAC Key
PTR_1	HMAC Key Pointer	Address of HMAC Key
LEN_2	HMAC Data Length	Number of bytes to be HMAC’d
PTR_2	HMAC Data Pointer	Address of data to be HMAC’d

Figure 21-70. Descriptor for Dynamic Multi-Function Decryption

Field Name	Value/Type	Description
LEN_3	Key Length	Number of bytes in Key (8, 16, 24, or 32 bytes)
PTR_3	Key Pointer	Address of Key
LEN_4	IV Length	Number of bytes in IV (8, 24, or 56)
PTR_4	IV Pointer	Address of IV
LEN_5	Data In Length	Bytes of ciphertext to be decrypted
PTR_5	Data In Pointer	Address of ciphertext to be decrypted
LEN_6	Data Out Length	Bytes of output data (should be equal to length of data in)
PTR_6	Data Out Pointer	Address where output data is to be written
LEN_7	HMAC Out Length	Number of bytes HMAC output (16, 20 or 32 bytes)
PTR_7	HMAC Out Pointer	Address where hash output is to be written
PTR_NEXT	Next Descriptor Pointer	Pointer to next data packet descriptor

Table 21-64 lists typical DEU/HMAC multi-function descriptor header values.

Table 21-64. Typical Header Values for Dynamic Multi-Function DEU Descriptors

Header Value	E/C	S/T	E/D	Algorithm	HMAC	Pad
0x20031D22	ECB	Single DES	Decrypt	SHA256	Yes	Yes
0x20031E22	ECB	Single DES	Decrypt	MD5	Yes	Yes
0x20031C22	ECB	Single DES	Decrypt	SHA	Yes	Yes
0x20431D22	ECB	Triple DES	Decrypt	SHA256	Yes	Yes
0x20431E22	ECB	Triple DES	Decrypt	MD5	Yes	Yes
0x20431C22	ECB	Triple DES	Decrypt	SHA	Yes	Yes
0x20231D22	CBC	Single DES	Decrypt	SHA256	Yes	Yes
0x20231E22	CBC	Single DES	Decrypt	MD5	Yes	Yes
0x20231C22	CBC	Single DES	Decrypt	SHA	Yes	Yes
0x20631D22	CBC	Triple DES	Decrypt	SHA256	Yes	Yes
0x20631E22	CBC	Triple DES	Decrypt	MD5	Yes	Yes
0x20631C22	CBC	Triple DES	Decrypt	SHA	Yes	Yes

Table 21-65 lists typical AESU/HMAC multi-function descriptor header values.

Table 21-65. Typical Header Values for Dynamic Multi-Function AESU Descriptors

Header Value	Mode	E/D	Algorithm	HMAC	Pad
0x60831D22	ECB	Decrypt	SHA256	Yes	Yes
0x60831E22	ECB	Decrypt	MD5	Yes	Yes

Table 21-65. Typical Header Values for Dynamic Multi-Function AESU Descriptors

Header Value	Mode	E/D	Algorithm	HMAC	Pad
0x60831C22	ECB	Decrypt	SHA	Yes	Yes
0x60A31D22	CBC	Decrypt	SHA256	Yes	Yes
0x60A31E22	CBC	Decrypt	MD5	Yes	Yes
0x60A31C22	CBC	Decrypt	SHA	Yes	Yes
0x60E31D22	CTR	—	SHA256	Yes	Yes
0x60E31E22	CTR	—	MD5	Yes	Yes
0x60E31C22	CTR	—	SHA	Yes	Yes

Figure 21-71 shows the representative descriptor used for multi-function encryption such as outbound IPsec ESP. The descriptor header encodes to select the DEU or AESU as the primary EU, and the MDEU for the secondary EU. Because all the data necessary to calculate the HMAC in a single dynamic descriptor is available, initialize and autopad are set, while continue is cleared in the SMODE field.

The descriptor header also encodes the descriptor type 0010, which defines the input and output ordering for “hmac_snoop_no_afeu.” The HMAC key is loaded first, followed by the length and pointer to the data over which the HMAC will be calculated. The DEU/AESU key is loaded next, followed by the context (IV). The number of bytes to be ciphered and starting address will be an offset of the number of bytes being HMAC'd. The data to be decrypted and HMAC'd is only brought in the SEC a single time, with the DEU/AESU and MDEU only reading the portion that matches the starting address and byte length in the length/pointer fields corresponding to their data of interest.

Plaintext is brought into the DEU/AESU input FIFO, with the MDEU out-snooping the portion of the data it has been told to process. As the encryption continues, the ciphertext fills the DEU/AEU output FIFO, and this data is written back to system memory as needed. When the final byte of data to be HMAC'd has been processed through the MDEU, the descriptor will cause the MDEU to write the HMAC to the indicated area in system memory. Software will append the most significant bytes of the HMAC generated by the SEC to the packet as the authentication trailer. Common practice in IPsec ESP with TDES-CBC is to use the last 8 bytes of the ciphertext as the IV for the next packet. If this is the case, software should copy the last 8 bytes of the ciphertext to the Security Association Database Entry for this particular session before transmitting the packet.

Figure 21-71. Descriptor for Dynamic Multi-Function Encryption

Field Name	Value/Type	Description
Header	Table 21-66	Header common to several descriptors (TYPE 0010)
LEN_1	HMAC Key Length	Number of bytes in HMAC Key
PTR_1	HMAC Key Pointer	Address of HMAC Key
LEN_2	HMAC Data Length	Number of bytes to be HMAC'd
PTR_2	HMAC Data Pointer	Address of data to be HMAC'd
LEN_3	Key Length	Number of bytes in Key (8, 16, 24, or 32 bytes)
PTR_3	Key Pointer	Address of Key
LEN_4	IV Length	Number of bytes in IV (8, 24, or 56)

Figure 21-71. Descriptor for Dynamic Multi-Function Encryption

Field Name	Value/Type	Description
PTR_4	IV Pointer	Address of IV
LEN_5	Data In Length	Bytes of plaintext to be encrypted
PTR_5	Data In Pointer	Address of plaintext to be encrypted
LEN_6	Data Out Length	Bytes of output data (should be equal to length of data in)
PTR_6	Data Out Pointer	Address where output data is to be written
LEN_7	HMAC Out Length	Number of bytes HMAC output (16, 20 or 32 bytes)
PTR_7	HMAC Out Pointer	Address where hash output is to be written
PTR_NEXT	Next Descriptor Pointer	Pointer to next data packet descriptor

Table 21-66 lists typical DEU/HMAC multi-function descriptor header values.

Table 21-66. Typical Header Values for Dynamic Multi-Function DEU Descriptors

Header Value	E/C	S/T	E/D	Algorithm	HMAC	Pad
0x20131D20	ECB	Single DES	Encrypt	SHA256	Yes	Yes
0x20131E20	ECB	Single DES	Encrypt	MD5	Yes	Yes
0x20131C20	ECB	Single DES	Encrypt	SHA	Yes	Yes
0x20531D20	ECB	Triple DES	Encrypt	SHA256	Yes	Yes
0x20531E20	ECB	Triple DES	Encrypt	MD5	Yes	Yes
0x20531C20	ECB	Triple DES	Encrypt	SHA	Yes	Yes
0x20331D20	CBC	Single DES	Encrypt	SHA256	Yes	Yes
0x20331E20	CBC	Single DES	Encrypt	MD5	Yes	Yes
0x20331C20	CBC	Single DES	Encrypt	SHA	Yes	Yes
0x20731D20	CBC	Triple DES	Encrypt	SHA256	Yes	Yes
0x20731E20	CBC	Triple DES	Encrypt	MD5	Yes	Yes
0x20731C20	CBC	Triple DES	Encrypt	SHA	Yes	Yes

Table 21-67 lists typical AESU/HMAC multi-function descriptor header values.

Table 21-67. Typical Header Values for Dynamic Multi-Function AESU Descriptors

Header Value	Mode	E/D	Algorithm	HMAC	Pad
0x60931D20	ECB	Encrypt	SHA256	Yes	Yes
0x60931E20	ECB	Encrypt	MD5	Yes	Yes
0x60931C20	ECB	Encrypt	SHA	Yes	Yes
0x60B31D20	CBC	Encrypt	SHA256	Yes	Yes
0x60B31E20	CBC	Encrypt	MD5	Yes	Yes

Table 21-67. Typical Header Values for Dynamic Multi-Function AESU Descriptors

Header Value	Mode	E/D	Algorithm	HMAC	Pad
0x60B31C20	CBC	Encrypt	SHA	Yes	Yes
0x60E31D20	CTR	—	SHA256	Yes	Yes
0x60E31E20	CTR	—	MD5	Yes	Yes
0x60E31C20	CTR	—	SHA	Yes	Yes

21.14.6.3 Static Multi-Function Descriptor Formats

This example is designed to contrast the dynamic descriptors shown in [Section 21.14.6.2, “Dynamic Multi-Function Descriptor Formats.”](#) For whatever reason, the data to be decrypted/encrypted and authenticated is not available in a single contiguous block, or the total data size is larger than 32 Kbytes. The user must statically assign a DEU/AESU and MDEU to a channel before launching this descriptor chain.

[Figure 21-72](#) shows the representative descriptor format for the first descriptor in a statically assigned multi-function operation descriptor chain. The first descriptor header encodes to select the DEU or AESU as the primary EU, and the MDEU for the secondary EU. Because all the data necessary to calculate the HMAC in a single dynamic descriptor is not available, initialize and continue are set and the autopad bit is cleared in the SMODE field.

The descriptor header also encodes the descriptor type 0010, which defines the input and output ordering for “hmac_snoop_no_afeu.” The HMAC key is loaded first, followed by the length and pointer to the data over which the initial HMAC will be calculated. The DEU/AESU key is loaded next, followed by the context (IV). The number of bytes to be ciphered and starting address will be an offset of the number of bytes being HMAC’d. The data to be decrypted and HMAC’d is only brought in the SEC a single time, with the DEU/AESU and MDEU only reading the portion that matches the starting address and byte length in the length/pointer fields corresponding to their data of interest.

Input data is brought into the DEU/AESU input FIFO, with the MDEU snooping the portion of the data it has been told to process. As the decryption/encryption continues, the output data fills the DEU/AEU output FIFO, and this data is written back to system memory as needed. Because it has been told to expect more data (continue on), the descriptor must not attempt to output the HMAC.

Figure 21-72. First Descriptor for Static Multi-Function Encryption/Decryption

Field Name	Value/Type	Description
Header	Table 21-68	Header common to several descriptors (TYPE 0010)
LEN_1	HMAC Key Length	Number of bytes in HMAC Key
PTR_1	HMAC Key Pointer	Address of HMAC Key
LEN_2	HMAC Data Length	Number of bytes to be HMAC’d
PTR_2	HMAC Data Pointer	Address of data to be HMAC’d
LEN_3	Key Length	Number of bytes in Key (8, 16, 24, or 32 bytes)
PTR_3	Key Pointer	Address of Key
LEN_4	IV Length	Number of bytes in IV (8, 24, or 56)
PTR_4	IV Pointer	Address of IV

Figure 21-72. First Descriptor for Static Multi-Function Encryption/Decryption

Field Name	Value/Type	Description
LEN_5	Data In Length	Bytes of input data
PTR_5	Data In Pointer	Address of ciphertext to be decrypted
LEN_6	Data Out Length	Bytes of output data (should be equal to length of data in)
PTR_6	Data Out Pointer	Address where output data is to be written
LEN_7	HMAC Out Length	NULL
PTR_7	HMAC Out Pointer	NULL
PTR_NEXT	Next Descriptor Pointer	Pointer to next data packet descriptor

Table 21-68 lists typical DEU/HMAC multi-function descriptor header values for the first descriptor.

Table 21-68. Typical Header Values for First Static Multi-Function DEU Descriptors

Header Value	E/C	S/T	E/D	Algorithm	HMAC	Pad
0x20039922	ECB	Single DES	Decrypt	SHA256	Yes	No
0x20139920	ECB	Single DES	Encrypt	SHA256	Yes	No
0x20039A22	ECB	Single DES	Decrypt	MD5	Yes	No
0x20139A20	ECB	Single DES	Encrypt	MD5	Yes	No
0x20039822	ECB	Single DES	Decrypt	SHA	Yes	No
0x20139820	ECB	Single DES	Encrypt	SHA	Yes	No
0x20439922	ECB	Triple DES	Decrypt	SHA256	Yes	No
0x20539920	ECB	Triple DES	Encrypt	SHA256	Yes	No
0x20439A22	ECB	Triple DES	Decrypt	MD5	Yes	No
0x20539A20	ECB	Triple DES	Encrypt	MD5	Yes	No
0x20439822	ECB	Triple DES	Decrypt	SHA	Yes	No
0x20539820	ECB	Triple DES	Encrypt	SHA	Yes	No
0x20239222	CBC	Single DES	Decrypt	SHA256	Yes	No
0x20339920	CBC	Single DES	Encrypt	SHA256	Yes	No
0x20239A22	CBC	Single DES	Decrypt	MD5	Yes	No
0x20339A20	CBC	Single DES	Encrypt	MD5	Yes	No
0x20239822	CBC	Single DES	Decrypt	SHA	Yes	No
0x20339820	CBC	Single DES	Encrypt	SHA	Yes	No
0x20639922	CBC	Triple DES	Decrypt	SHA256	Yes	No
0x20739920	CBC	Triple DES	Encrypt	SHA256	Yes	No
0x20639A22	CBC	Triple DES	Decrypt	MD5	Yes	No

Table 21-68. Typical Header Values for First Static Multi-Function DEU Descriptors (Continued)

Header Value	E/C	S/T	E/D	Algorithm	HMAC	Pad
0x20739A20	CBC	Triple DES	Encrypt	MD5	Yes	No
0x20639822	CBC	Triple DES	Decrypt	SHA	Yes	No
0x20739820	CBC	Triple DES	Encrypt	SHA	Yes	No

Table 21-69 lists typical AESU/HMAC multi-function descriptor header values.

Table 21-69. Typical Header Values for Dynamic Multi-Function AESU Descriptors

Header Value	Mode	E/D	Algorithm	HMAC	Pad
0x60839922	ECB	Decrypt	SHA256	Yes	No
0x60939920	ECB	Encrypt	SHA256	Yes	No
0x60839A22	ECB	Decrypt	MD5	Yes	No
0x60939A20	ECB	Encrypt	MD5	Yes	No
0x60839822	ECB	Decrypt	SHA	Yes	No
0x60939820	ECB	Encrypt	SHA	Yes	No
0x60A39922	CBC	Decrypt	SHA256	Yes	No
0x60B39920	CBC	Encrypt	SHA256	Yes	No
0x60A39A22	CBC	Decrypt	MD5	Yes	No
0x60B39A20	CBC	Encrypt	MD5	Yes	No
0x60A39822	CBC	Decrypt	SHA	Yes	No
0x60B39820	CBC	Encrypt	SHA	Yes	No
0x60E39922	CTR	Decrypt	SHA256	Yes	No
0x60E39920	CTR	Encrypt	SHA256	Yes	No
0x60E39A22	CTR	Decrypt	MD5	Yes	No
0x60E39A20	CTR	Encrypt	MD5	Yes	No
0x60E39822	CTR	Decrypt	SHA	Yes	No
0x60E39820	CTR	Encrypt	SHA	Yes	No

Figure 21-73 shows the representative descriptor format for the middle descriptors in a statically assigned multi-function operation descriptor chain. The middle descriptor header encodes to select the DEU or AESU as the primary EU, and the MDEU for the secondary EU. Because all the data necessary to calculate the HMAC in a single dynamic descriptor is still not available, continue is set while initialize, HMAC, and autopad are cleared in the SMODE field.

The descriptor header also encodes the descriptor type 0010, which defines the input and output ordering for “hmac_snoop_no_afeu.” The HMAC key, DEU/AESU key, and context are already loaded, and do not need to be reloaded. The length and pointer to the data over which the initial hash will be calculated must be provided for this descriptor.

Input data is brought into the DEU/AESU input FIFO, with the MDEU snooping the portion of the data it has been told to process. As the decryption/encryption continues, the output data fills the DEU/AEU output FIFO, and this data is written back to system memory as needed. Because it has been told to expect more data (continue on), the descriptor must not attempt to output the HMAC.

Figure 21-73. Middle Descriptor for Multi-Function Encryption/Decryption

Field Name	Value/Type	Description
Header	Table 21-70	Header common to several descriptors (TYPE 0010)
LEN_1	HMAC Key Length	NULL
PTR_1	HMAC Key Pointer	NULL
LEN_2	HMAC Data Length	Number of bytes to be HMAC'd
PTR_2	HMAC Data Pointer	Address of data to be HMAC'd
LEN_3	Key Length	NULL
PTR_3	Key Pointer	NULL
LEN_4	IV Length	NULL
PTR_4	IV Pointer	NULL
LEN_5	Data In Length	Bytes of input data
PTR_5	Data In Pointer	Address of ciphertext to be decrypted
LEN_6	Data Out Length	Bytes of output data (should be equal to length of data in)
PTR_6	Data Out Pointer	Address where output data is to be written
LEN_7	HMAC Out Length	NULL
PTR_7	HMAC Out Pointer	NULL
PTR_NEXT	Next Descriptor Pointer	Pointer to next data packet descriptor

[Table 21-68](#) lists typical DEU/HMAC multi-function descriptor header values for the first descriptor.

Table 21-70. Typical Header Values for Middle Static Multi-Function DEU Descriptors

Header Value	E/C	S/T	E/D	Algorithm	HMAC	Pad
0x20038122	ECB	Single DES	Decrypt	SHA256	No	No
0x20138120	ECB	Single DES	Encrypt	SHA256	No	No
0x20038222	ECB	Single DES	Decrypt	MD5	No	No
0x20138220	ECB	Single DES	Encrypt	MD5	No	No
0x20038022	ECB	Single DES	Decrypt	SHA	No	No
0x20138020	ECB	Single DES	Encrypt	SHA	No	No
0x20438122	ECB	Triple DES	Decrypt	SHA256	No	No
0x20538120	ECB	Triple DES	Encrypt	SHA256	No	No
0x20438222	ECB	Triple DES	Decrypt	MD5	No	No

Table 21-70. Typical Header Values for Middle Static Multi-Function DEU Descriptors (Continued)

Header Value	E/C	S/T	E/D	Algorithm	HMAC	Pad
0x20538220	ECB	Triple DES	Encrypt	MD5	No	No
0x20438022	ECB	Triple DES	Decrypt	SHA	No	No
0x20538020	ECB	Triple DES	Encrypt	SHA	No	No
0x20238122	CBC	Single DES	Decrypt	SHA256	No	No
0x20338120	CBC	Single DES	Encrypt	SHA256	No	No
0x20238222	CBC	Single DES	Decrypt	MD5	No	No
0x20338220	CBC	Single DES	Encrypt	MD5	No	No
0x20238022	CBC	Single DES	Decrypt	SHA	No	No
0x20338020	CBC	Single DES	Encrypt	SHA	No	No
0x20638122	CBC	Triple DES	Decrypt	SHA256	No	No
0x20738120	CBC	Triple DES	Encrypt	SHA256	No	No
0x20638222	CBC	Triple DES	Decrypt	MD5	No	No
0x20738220	CBC	Triple DES	Encrypt	MD5	No	No
0x20638022	CBC	Triple DES	Decrypt	SHA	No	No
0x20738020	CBC	Triple DES	Encrypt	SHA	No	No

Table 21-71 lists typical AESU/HMAC multi-function descriptor header values.

Table 21-71. Typical Header Values for Middle Static Multi-Function AESU Descriptors

Header Value	Mode	E/D	Algorithm	HMAC	Pad
0x60838122	ECB	Decrypt	SHA256	No	No
0x60938120	ECB	Encrypt	SHA256	No	No
0x60838222	ECB	Decrypt	MD5	No	No
0x60938220	ECB	Encrypt	MD5	No	No
0x60838022	ECB	Decrypt	SHA	No	No
0x60938020	ECB	Encrypt	SHA	No	No
0x60A38122	CBC	Decrypt	SHA256	No	No
0x60B38120	CBC	Encrypt	SHA256	No	No
0x60A38222	CBC	Decrypt	MD5	No	No
0x60B38220	CBC	Encrypt	MD5	No	No
0x60A38022	CBC	Decrypt	SHA	No	No
0x60B38020	CBC	Encrypt	SHA	No	No
0x60E38122	CTR	Decrypt	SHA256	No	No

Table 21-71. Typical Header Values for Middle Static Multi-Function AESU Descriptors (Continued)

Header Value	Mode	E/D	Algorithm	HMAC	Pad
0x60E38120	CTR	Encrypt	SHA256	No	No
0x60E38222	CTR	Decrypt	MD5	No	No
0x60E38220	CTR	Encrypt	MD5	No	No
0x60E38022	CTR	Decrypt	SHA	No	No
0x60E38020	CTR	Encrypt	SHA	No	No

Figure 21-74 shows the representative descriptor format for the final descriptor in a statically assigned multi-function operation descriptor chain. The final descriptor header encodes to select the DEU or AESU as the primary EU, and the MDEU for the secondary EU. Because the final data necessary to calculate the HMAC is now present, the HMAC and autopad bits are set, while continue and initialize are cleared in the SMODE field.

The descriptor header also encodes the descriptor type 0010, which defines the input and output ordering for “hmac_snoop_no_afeu.” The HMAC key, DEU/AESU key, and context are already loaded, and do not need to be reloaded. The length and pointer to the data over which the initial hash will be calculated must be provided for this descriptor.

Input data is brought into the DEU/AESU input FIFO, with the MDEU snooping the portion of the data it has been told to process. As the decryption/encryption continues, the output data fills the DEU/AEU output FIFO, and this data is written back to system memory as needed. Because it has been told it has the final data for HMAC calculation (HMAC on, continue off), the descriptor provides the length and pointer for the HMAC output. Depending on whether the packet is inbound or outbound, the host will either insert the most significant bytes of the HMAC generated by the SEC into the packet header (outbound) or compare the HMAC generated by the SEC with the HMAC which was received with the packet (inbound). If the HMACs match, the packet integrity check passes.

Figure 21-74. Final Descriptor for Multi-Function Encryption/Decryption

Field Name	Value/Type	Description
Header	Table 21-72	Header common to several descriptors (TYPE 0010)
LEN_1	HMAC Key Length	NULL
PTR_1	HMAC Key Pointer	NULL
LEN_2	HMAC Data Length	Number of bytes to be HMAC'd
PTR_2	HMAC Data Pointer	Address of data to be HMAC'd
LEN_3	Key Length	NULL
PTR_3	Key Pointer	NULL
LEN_4	IV Length	NULL
PTR_4	IV Pointer	NULL
LEN_5	Data In Length	Bytes of input data
PTR_5	Data In Pointer	Address of ciphertext to be decrypted
LEN_6	Data Out Length	Bytes of output data (should be equal to length of data in)

Figure 21-74. Final Descriptor for Multi-Function Encryption/Decryption (Continued)

Field Name	Value/Type	Description
PTR_6	Data Out Pointer	Address where output data is to be written
LEN_7	HMAC Out Length	Number of bytes HMAC output (16, 20 or 32 bytes)
PTR_7	HMAC Out Pointer	Address where hash output is to be written
PTR_NEXT	Next Descriptor Pointer	Pointer to next data packet descriptor

Table 21-72 lists typical DEU/HMAC multi-function descriptor header values for the first descriptor.

Table 21-72. Typical Header Values for Final Static Multi-Function DEU Descriptors

Header Value	E/C	S/T	E/D	Algorithm	HMAC	Pad
0x20038D22	ECB	Single DES	Decrypt	SHA256	Yes	Yes
0x20138D20	ECB	Single DES	Encrypt	SHA256	Yes	Yes
0x20038E22	ECB	Single DES	Decrypt	MD5	Yes	Yes
0x20138E20	ECB	Single DES	Encrypt	MD5	Yes	Yes
0x20038C22	ECB	Single DES	Decrypt	SHA	Yes	Yes
0x20138C20	ECB	Single DES	Encrypt	SHA	Yes	Yes
0x20438D22	ECB	Triple DES	Decrypt	SHA256	Yes	Yes
0x20538D20	ECB	Triple DES	Encrypt	SHA256	Yes	Yes
0x20438E22	ECB	Triple DES	Decrypt	MD5	Yes	Yes
0x20538E20	ECB	Triple DES	Encrypt	MD5	Yes	Yes
0x20438C22	ECB	Triple DES	Decrypt	SHA	Yes	Yes
0x20538C20	ECB	Triple DES	Encrypt	SHA	Yes	Yes
0x20238D22	CBC	Single DES	Decrypt	SHA256	Yes	Yes
0x20338D20	CBC	Single DES	Encrypt	SHA256	Yes	Yes
0x20238E22	CBC	Single DES	Decrypt	MD5	Yes	Yes
0x20338E20	CBC	Single DES	Encrypt	MD5	Yes	Yes
0x20238C22	CBC	Single DES	Decrypt	SHA	Yes	Yes
0x20338C20	CBC	Single DES	Encrypt	SHA	Yes	Yes
0x20638D22	CBC	Triple DES	Decrypt	SHA256	Yes	Yes
0x20738D20	CBC	Triple DES	Encrypt	SHA256	Yes	Yes
0x20638E22	CBC	Triple DES	Decrypt	MD5	Yes	Yes
0x20738E20	CBC	Triple DES	Encrypt	MD5	Yes	Yes
0x20638C22	CBC	Triple DES	Decrypt	SHA	Yes	Yes
0x20738C20	CBC	Triple DES	Encrypt	SHA	Yes	Yes

Table 21-73 lists typical AESU/HMAC multi-function descriptor header values.

Table 21-73. Typical Header Values for Final Static Multi-Function AESU Descriptors

Header Value	Mode	E/D	Algorithm	HMAC	Pad
0x60838922	ECB	Decrypt	SHA256	Yes	Yes
0x60938920	ECB	Encrypt	SHA256	Yes	Yes
0x60838A22	ECB	Decrypt	MD5	Yes	Yes
0x60938A20	ECB	Encrypt	MD5	Yes	Yes
0x60838822	ECB	Decrypt	SHA	Yes	Yes
0x60938820	ECB	Encrypt	SHA	Yes	Yes
0x60A38922	CBC	Decrypt	SHA256	Yes	Yes
0x60B38920	CBC	Encrypt	SHA256	Yes	Yes
0x60A38A22	CBC	Decrypt	MD5	Yes	Yes
0x60B38A20	CBC	Encrypt	MD5	Yes	Yes
0x60A38822	CBC	Decrypt	SHA	Yes	Yes
0x60B38820	CBC	Encrypt	SHA	Yes	Yes
0x60E38922	CTR	Decrypt	SHA256	Yes	Yes
0x60E38920	CTR	Encrypt	SHA256	Yes	Yes
0x60E38A22	CTR	Decrypt	MD5	Yes	Yes
0x60E38A20	CTR	Encrypt	MD5	Yes	Yes
0x60E38822	CTR	Decrypt	SHA	Yes	Yes
0x60E38820	CTR	Encrypt	SHA	Yes	Yes

21.14.6.4 SSLv3.1/TLS 1.0 Processing Descriptors

The SEC is capable of assisting in SSL record layer processing, however for SSL v3.0 and earlier, this support is limited to acceleration of the encryption only. The MDEU does not calculate the version of HMAC required by early version of SSL. SSLv3.1 and TLSv1.0 use the same HMAC version as IPsec (specified in RFC2104), which the SEC MDEU supports, allowing it to off-load both bulk encryption and authentication from the host processor.

SSLv3.1 and TLSv1.0 (henceforth referred to as TLS) record layer encryption/decryption is more complicated for hardware than IPsec, due to the order of operations mandated in the protocol. TLS performs the HMAC function first, then attaches the HMAC (which is variable size) to the end of the payload data. The payload data, HMAC, and any padding added after the HMAC are then encrypted. Parallel encryption and authentication of TLS “records” cannot be performed using the SEC snooping mechanisms which work for IPsec.

Performing TLS record layer encryption and authentication with the SEC requires two descriptors. For outbound records, one descriptor is used to calculate the HMAC, and a second is used to encrypt the record, HMAC, and padding. For inbound records, the first descriptor decrypts the record, while the second descriptor is used to recalculate the HMAC for validation by the host. With some planning, the user may create the outbound descriptors and launch them as a chain, leaving the SEC to complete the full

HMAC/encrypt operation before signalling DONE. It is anticipated that for inbound records, the SEC will signal DONE after decryption, so that the host can determine the location of the HMAC before setting up the HMAC validation descriptor.

21.14.6.4.1 Outbound TLS Descriptors

Figure 21-75 shows the first descriptor used for outbound TLS. The descriptor performs the HMAC of the record header and the record payload. The primary EU is the MDEU, with its mode bits set to cause the MDEU to initialize its context registers, perform auto-padding if the data size is not evenly divisible by 512 bits, and calculate an HMAC. The descriptor header does not designate a secondary EU, so the setting of the snoop type bit is ignored.

At the conclusion of the outbound TLS descriptor 1, the crypto-channel has calculated the HMAC, placed it in memory, and has reset and released the MDEU.

Figure 21-75. Outbound TLS Descriptor One Format

Field Name	Value/Type	Description
Header	see Table 21-74	Header common to several descriptors (TYPE 0001)
LEN_1	Length (not used)	NULL
PTR_1	Pointer (not used)	NULL
LEN_2	IV Length	NULL
PTR_2	IV Pointer	NULL
LEN_3	Key Length	Number of bytes of HMAC key
PTR_3	Key Pointer	Pointer to HMAC key
LEN_4	Data In Length	Number of bytes of data to be hashed
PTR_4	Data In Pointer	Pointer to data to perform hash upon
LEN_5	Data Out Length	NULL
PTR_5	Data Out Pointer	NULL
LEN_6	IV Out Length	Number of bytes of data after hashing (16, 20, or 32)
PTR_6	IV Out Pointer	Pointer to location where hash output is to be written
LEN_7	MAC Out Length	NULL
PTR_7	MAC Out Pointer	NULL
PTR_NEXT	Next Descriptor Pointer	Pointer to next data packet descriptor

[Table 21-74](#) lists several different descriptor header values that can be used for the outbound TLS descriptor one shown in [Figure 21-75](#).

Table 21-74. Typical Header Values for Outbound TLS Descriptor One Format

Header Value	Algorithm	HMAC	Pad
0x31D00010	SHA256	Yes	Yes
0x31E00010	MD5	Yes	Yes
0x31C00010	SHA	Yes	Yes

The second descriptor, shown in [Figure 21-76](#), performs the encryption of the record, HMAC, pad length, and any padding generated to disguise the size of the TLS record.

Figure 21-76. Outbound TLS Descriptor Two Format

Field Name	Value/Type	Description
Header	0x10000050	Perform permute (TYPE 0101)
LEN_1	Length (not used)	NULL
PTR_1	Pointer (not used)	NULL
LEN_2	IV Length	NULL
PTR_2	IV Pointer	NULL
LEN_3	Key Length	Number of bytes in key (5–16 bytes)
PTR_3	Key Pointer	Address of key to be written into AFEU
LEN_4	Data In Length	Number of bytes of data to be ciphered
PTR_4	Data In Pointer	Pointer to data to perform cipher upon
LEN_5	Data Out Length	Number of bytes of data after ciphering
PTR_5	Data Out Pointer	Pointer to location where cipher output is to be written
LEN_6	IV Out Length	NULL
PTR_6	IV Out Pointer	NULL
LEN_7	MD Out Length	NULL
PTR_7	MD Out Pointer	NULL
PTR_NEXT	Next Descriptor Pointer	NULL or Pointer to unrelated next descriptor

21.14.6.4.2 Inbound TLS Descriptors

Inbound TLS processing reverses the order of operations of outbound processing. The first descriptor, shown in [Figure 21-77](#), performs the decryption of the record, HMAC, pad length, and any padding generated to disguise the size of the TLS record.

NOTE

ARC-4 does not have a concept of encrypt vs. decrypt. As a stream cipher, ARC-4 generates a key stream which is XOR'd with the input data. If the input data is plaintext, the output is ciphertext. If the input data is ciphertext (which was previously XOR'd with the same key), the result is plaintext.

The primary EU is the AFEU, with its mode bits set to cause the AFEU to load the key and initialize the AFEU S-box for data permutation. The descriptor does not designate a secondary EU, so the setting of the snoop type bit is ignored.

Figure 21-77. Inbound TLS Descriptor One Format

Field Name	Value/Type	Description
Header	0x10000050	Perform permute (TYPE 0101)
LEN_1	Length (not used)	NULL

Figure 21-77. Inbound TLS Descriptor One Format

Field Name	Value/Type	Description
PTR_1	Pointer (not used)	NULL
LEN_2	IV Length	NULL
PTR_2	IV Pointer	NULL
LEN_3	Key Length	Number of bytes in key (5–16 bytes)
PTR_3	Key Pointer	Address of key to be written into AFEU
LEN_4	Data In Length	Number of bytes of data to be ciphered
PTR_4	Data In Pointer	Pointer to data to perform cipher upon
LEN_5	Data Out Length	Number of bytes of data after ciphering
PTR_5	Data Out Pointer	Pointer to location where cipher output is to be written
LEN_6	IV Out Length	NULL
PTR_6	IV Out Pointer	NULL
LEN_7	MD Out Length	NULL
PTR_7	MD Out Pointer	NULL
PTR_NEXT	Next Descriptor Pointer	NULL or Pointer to unrelated next descriptor

At the conclusion of inbound TLS descriptor 1, the AFEU has decrypted the TLS record so that the payload and HMAC are readable. The negotiation of the TLS session should provide the receiver with enough information about the session parameters (hash algorithm for HMAC, whether padding is in use) to create inbound descriptor 2 along with descriptor 1. If so, the next descriptor pointer field should point to descriptor 2.

Alternatively, the SEC could signal DONE at the conclusion of inbound descriptor 1 to allow the host to inspect the decrypted record, and generate the descriptor necessary to validate the HMAC. If this is the case, inbound descriptor 2 does not need to be linked to inbound descriptor 1, and could even be processed by a different crypto-channel.

The second descriptor, shown in [Figure 21-78](#), performs the HMAC of the record header and the record payload. The primary EU is the MDEU, with its mode bits set to cause the MDEU to initialize its context registers, perform auto-padding if the data size is not evenly divisible by 512 bits, and calculate an HMAC. The descriptor header does not designate a secondary EU, so the setting of the snoop type bit is ignored.

Figure 21-78. Inbound TLS Descriptor Two Format

Field Name	Value/Type	Description
Header	see Table 21-75	Header common to several descriptors (TYPE 0001)
LEN_1	Length (not used)	NULL
PTR_1	Pointer (not used)	NULL
LEN_2	IV Length	NULL
PTR_2	IV Pointer	NULL
LEN_3	Key Length	Number of bytes of HMAC key

Figure 21-78. Inbound TLS Descriptor Two Format

Field Name	Value/Type	Description
PTR_3	Key Pointer	Pointer to HMAC key
LEN_4	Data In Length	Number of bytes of data to be hashed
PTR_4	Data In Pointer	Pointer to data to perform hash upon
LEN_5	Data Out Length	NULL
PTR_5	Data Out Pointer	NULL
LEN_6	IV Out Length	Number of bytes of data after hashing (16, 20, or 32)
PTR_6	IV Out Pointer	Pointer to location where hash output is to be written
LEN_7	MAC Out Length	NULL
PTR_7	MAC Out Pointer	NULL
PTR_NEXT	Next Descriptor Pointer	Null or pointer to unrelated next descriptor

Table 21-75 lists several different descriptor header values that can be used for the outbound TLS descriptor 1 shown in Figure 21-78.

Table 21-75. Typical Header Values for Outbound TLS Descriptor One Format

Header Value	Algorithm	HMAC	Pad
0x31D00010	SHA256	Yes	Yes
0x31E00010	MD5	Yes	Yes
0x31C00010	SHA	Yes	Yes

At the conclusion of inbound TLS descriptor 2, the crypto-channel has calculated the HMAC, placed it in memory, and has reset and released the MDEU. The host can compare the HMAC generated by inbound descriptor 2 with the HMAC that was transmitted as part of the record. If the HMACs match, the record is known to have arrived unmodified, and can be passed to the application layer.



THIS PAGE INTENTIONALLY LEFT BLANK

Chapter 22

IEEE 1149.1 Test Access Port (JTAG)

22.1 Introduction

The Joint Test Action Group, or JTAG, is a dedicated user-accessible test logic, that complies with the IEEE 1149.1 standard for boundary-scan testability, to help with system diagnostic and manufacturing testing.

This architecture provides access to all data and chip control pins from the board-edge connector through the standard four-pin test access port (TAP) and the JTAG reset pin, $\overline{\text{TRST}}$.

22.1.1 Block Diagram

[Figure 22-1](#) shows the block diagram of the JTAG module.

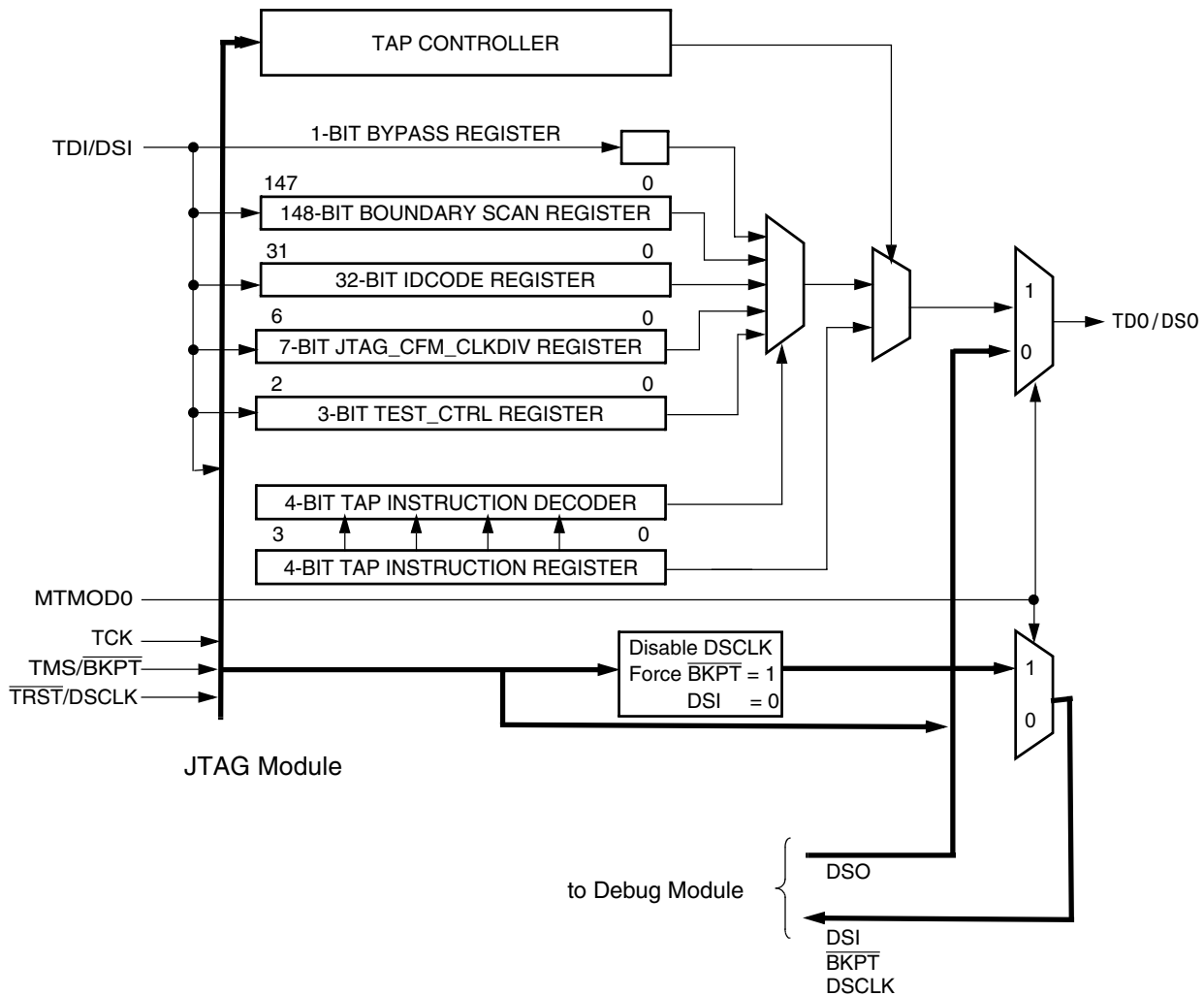


Figure 22-1. JTAG Block Diagram

22.1.2 Features

The basic features of the JTAG module are the following:

- Performs boundary-scan operations to test circuit board electrical continuity
- Bypasses instruction to reduce the shift register path to a single cell
- Sets chip output pins to safety states while executing the bypass instruction
- Samples the system pins during operation and transparently shift out the result
- Selects between JTAG TAP controller and Background Debug Module (BDM) using the MTMOD0 pin

22.1.3 Modes of Operation

The MTMOD0 pin can select between the following modes of operation:

- JTAG mode
- BDM—background debug mode (For more information, refer to Chapter 8, “Debug Support).”

22.2 External Signal Description

The JTAG module has five input and one output external signals, as described in [Table 22-1](#).

22.2.1 Detailed Signal Description

Table 22-1. Signal Properties

Name	Direction	Function	Reset State	Pull up
MTMOD0	Input	JTAG/BDM selector input	—	—
TCK	Input	JTAG Test clock input	—	Active
TMS/BKPT	Input	JTAG Test mode select / BDM Breakpoint	—	Active
TDI/DSI	Input	JTAG Test data input / BDM Development serial input	—	Active
TRST/DSCLK	Input	JTAG Test reset input / BDM Development serial clock	—	Active
TDO/DSO	Output	JTAG Test data output / BDM Development serial output	Hi-Z / 0	—

22.2.1.1 Test Mode 0 (MTMOD0)

The MTMOD0 pin selects between Debug module and JTAG. If MTMOD0 is low, the Debug module is selected; if it is high, the JTAG is selected. [Table 22-2](#) summarizes the pin function selected depending upon MTMOD0 logic state.

Table 22-2. Pin Function Selected

	MTMOD0 = 0	MTMOD0 = 1	Pin Name
Module selected	BDM	JTAG	—
Pin Function	— BKPT DSI DSO DSCLK	TCK TMS TDI TDO TRST	TCK BKPT DSI DSO DSCLK

When one module is selected, the inputs into the other module are disabled or forced to a known logic level as shown in [Table 22-3](#), in order to disable the corresponding module.

Table 22-3. Signal State to the Disable Module

	MTMOD0 = 0	MTMOD0 = 1
Disabling JTAG	$\overline{\text{TRST}} = 0$ TMS = 1	—
Disabling BDM	—	Disable DSCLK DSI = 0 $\overline{\text{BKPT}} = 1$

NOTE

The MTMOD0 does not support dynamic switching between JTAG and BDM modes.

22.2.1.2 Test Clock Input (TCK)

The TCK pin is a dedicated JTAG clock input to synchronize the test logic. Pulses on TCK shift data and instructions into the TDI pin on the rising edge and out of the TDO pin on the falling edge. TCK is independent of the processor clock. The TCK pin has an internal pull-up resistor and holding TCK high or low for an indefinite period does not cause JTAG test logic to lose state information.

22.2.1.3 Test Mode Select / Breakpoint (TMS/ $\overline{\text{BKPT}}$)

The TMS pin is the test mode select input that sequences the TAP state machine. TMS is sampled on the rising edge of TCK. The TMS pin has an internal pull-up resistor.

The $\overline{\text{BKPT}}$ pin is used to request an external breakpoint. Assertion of $\overline{\text{BKPT}}$ puts the processor into a halted state after the current instruction completes.

22.2.1.4 Test Data Input / Development Serial Input (TDI/DSI)

The TDI pin is the LSB-first data and instruction input. TDI is sampled on the rising edge of TCK. The TDI pin has an internal pull-up resistor.

The DSI pin provides data input for the debug module serial communication port.

22.2.1.5 Test Reset / Development Serial Clock ($\overline{\text{TRST}}$ /DSCLK)

The $\overline{\text{TRST}}$ pin is an active low asynchronous reset input with an internal pull-up resistor that forces the TAP controller to the test-logic-reset state.

The DSCLK pin clocks the serial communication port to the debug module. Maximum frequency is 1/5 the processor clock speed. At the rising edge of DSCLK, the data input on DSI is sampled and DSO changes state.

22.2.1.6 Test Data Output / Development Serial Output (TDO/DSO)

The TDO pin is the LSB-first data output. Data is clocked out of TDO on the falling edge of TCK. TDO is tri-stateable and is actively driven in the shift-IR and shift-DR controller states.

The DSO pin provides serial output data in BDM mode.

22.3 Memory Map/Register Definition

22.3.1 Memory Map

The JTAG module registers are not memory mapped and are only accessible through the TDO/DSO pin.

22.3.2 Register Descriptions

All registers are shift-in and parallel load.

22.3.2.1 Instruction Shift Register (IR)

The JTAG module uses a 4-bit shift register with no parity. The IR transfers its value to a parallel hold register and applies an instruction on the falling edge of TCK when the TAP state machine is in the update-IR state. To load an instruction into the shift portion of the IR, place the serial data on the TDI pin before each rising edge of TCK. The MSB of the IR is the bit closest to the TDI pin, and the LSB is the bit closest to the TDO pin.

22.3.2.2 IDCODE Register

The IDCODE is a read-only register; its value is chip dependent. For more information, see [Section 22.4.3.2, “IDCODE Instruction.”](#)

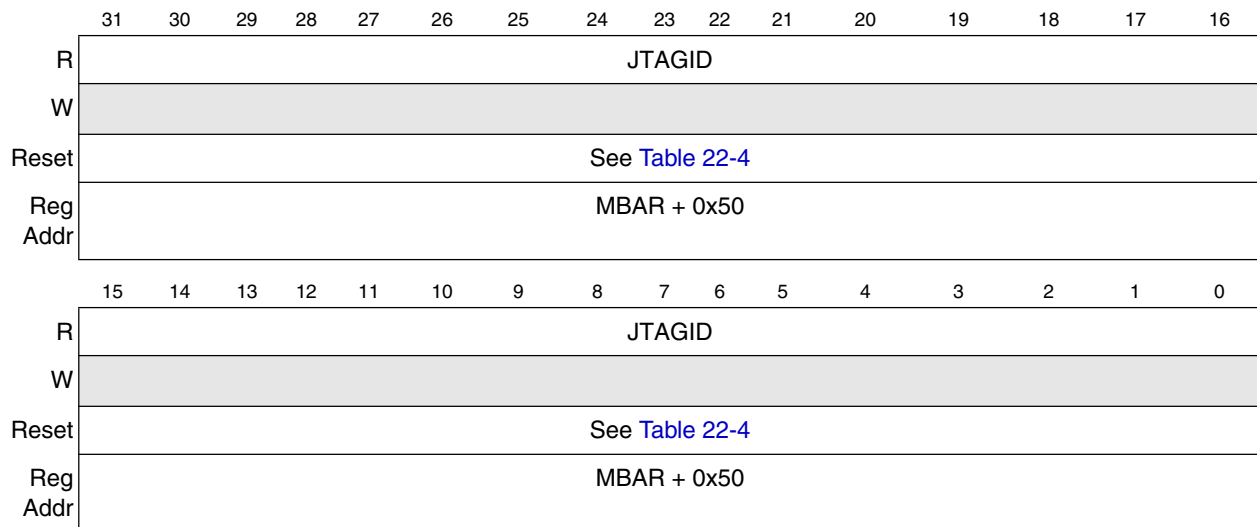


Figure 22-2. JTAG IDCODE Register

Table 22-4. JTAG IDCODE Field Descriptions

Bits	Name	Description
31–0	JTAGID	The JTAG identification number register is a read only register which contains the JTAG ID number for the MCF547x. Its value is hard coded and cannot be modified. Values for the MCF547x are the following: MCF5475 0x0801201d MCF5474 0x0801301d MCF5473 0x0801401d MCF5472 0x0801501d MCF5471 0x0801601d MCF5470 0x0801701d

22.3.2.3 Bypass Register

The bypass register is a single-bit shift register path from TDI to TDO when the BYPASS instruction is selected.

22.3.2.4 JTAG_CFM_CLKDIV Register

The JTAG_CFM_CLKDIV register is a 7-bit clock divider for the CFM that is used with the LOCKOUT_RECOVERY instruction. It controls the period of the clock used for timed events in the CFM erase algorithm. The JTAG_CFM_CLKDIV register must be loaded before the lockout sequence can begin.

22.3.2.5 TEST_CTRL Register

The TEST_CTRL register is a 3-bit shift register path from TDI to TDO when the ENABLE_TEST_CTRL instruction is selected. The TEST_CTRL transfers its value to a parallel hold register on the rising edge of TCK when the TAP state machine is in the update-DR state.

22.3.2.6 Boundary Scan Register

The boundary scan register is connected between TDI and TDO when the EXTEST or SAMPLE/PRELOAD instruction is selected. It captures input pin data, forces fixed values on output pins, and selects a logic value and direction for bidirectional pins or high impedance for tri-stated pins.

The boundary scan register contains bits for bonded-out and non bonded-out signals excluding JTAG signals, analog signals, power supplies, compliance enable pins, and clock signals.

22.4 Functional Description

22.4.1 JTAG Module

The JTAG module consists of a TAP controller state machine, which is responsible for generating all control signals that execute the JTAG instructions and read/write data registers.

22.4.2 TAP Controller

The TAP controller is a state machine that changes state based on the sequence of logical values on the TMS pin. Figure 22-3 shows the machine's states. The value shown next to each state is the value of the TMS signal sampled on the rising edge of the TCK signal.

Asserting the $\overline{\text{TRST}}$ signal asynchronously resets the TAP controller to the test-logic-reset state. As Figure 22-3 shows, holding TMS at logic 1 while clocking TCK through at least five rising edges also causes the state machine to enter the test-logic-reset state, whatever the initial state.

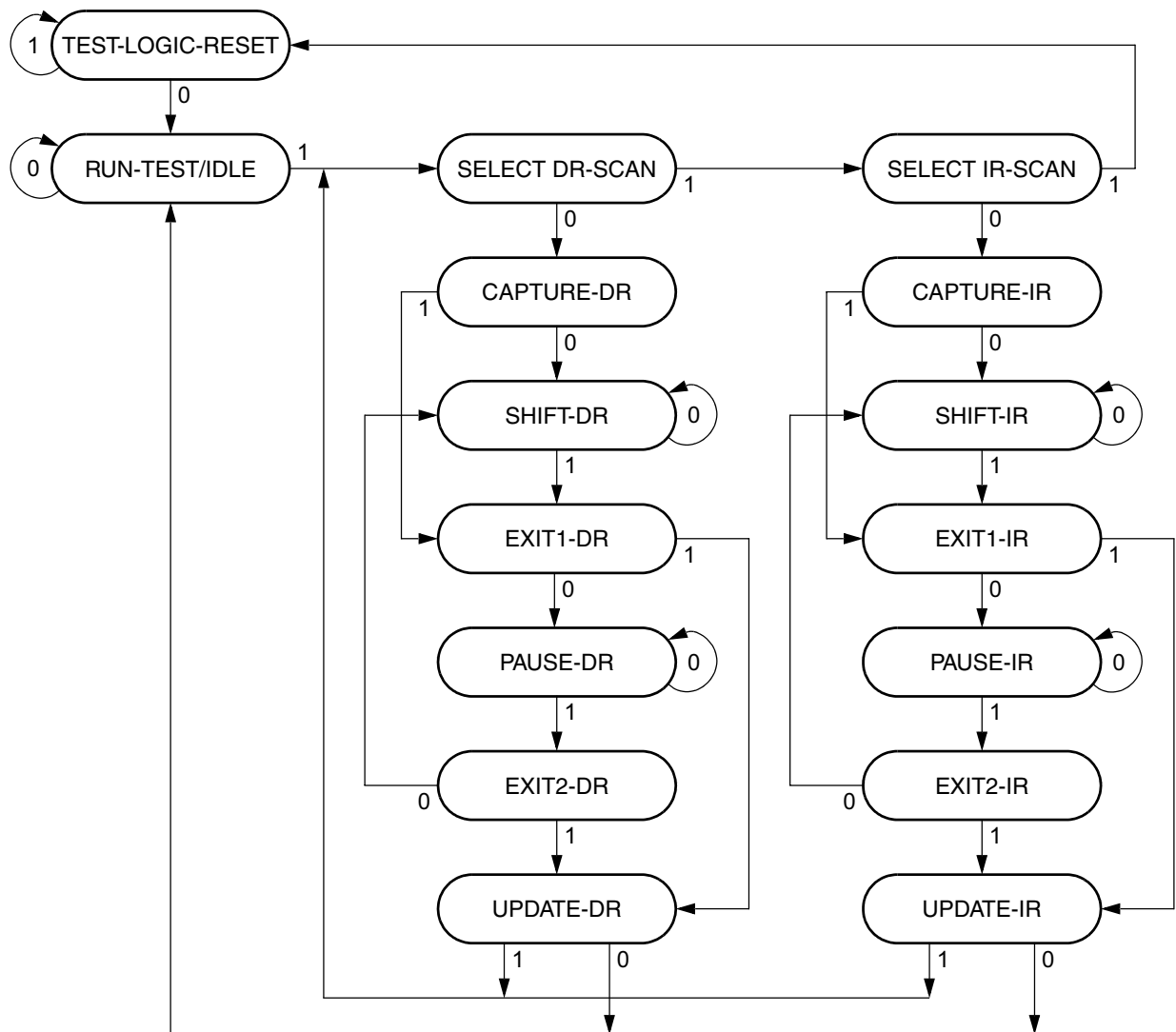


Figure 22-3. TAP Controller State Machine Flow

22.4.3 JTAG Instructions

Table 22-5 describes public and private instructions.

Table 22-5. JTAG Instructions

Instruction	IR[3:0]	Instruction Summary
EXTEST	0000	Selects boundary scan register while applying fixed values to output pins and asserting functional reset
IDCODE	0001	Selects IDCODE register for shift
SAMPLE/PRELOAD	0010	Selects boundary scan register for shifting, sampling, and preloading without disturbing functional operation
TEST_LEAKAGE ^{1,2}	0101	Selects bypass register while tri-stating all output pins and assert to high the jtag_leakage signal
ENABLE_TEST_CTRL	0110	Selects TEST_CTRL register
HIGHZ	1001	Selects bypass register while tri-stating all output pins and asserting functional reset
LOCKOUT_RECOVERY	1011	Allows for the erase of the TFM flash when the part is secure
CLAMP	1100	Selects bypass while applying fixed values to output pins and asserting functional reset
BYPASS	1111	Selects bypass register for data operations
Reserved	all others	Decoded to select bypass register ³

¹Instruction for manufacturing purposes only

²TRST pin assertion or power-on reset is required to exit this instruction.

³Motorola reserves the right to change the decoding of the unused opcodes in the future.

22.4.3.1 External Test Instruction (EXTEST)

The EXTEST instruction selects the boundary scan register. It forces all output pins and bidirectional pins configured as outputs to the values preloaded with the SAMPLE/PRELOAD instruction and held in the boundary scan update registers. EXTEST can also configure the direction of bidirectional pins and establish high-impedance states on some pins. EXTEST asserts internal reset for the MCU system logic to force a predictable internal state while performing external boundary scan operations.

22.4.3.2 IDCODE Instruction

The IDCODE instruction selects the 32-bit IDCODE register for connection as a shift path between the TDI and TDO pin. This instruction allows interrogation of the MCU to determine its version number and other part identification data. The shift register LSB is forced to logic 1 on the rising edge of TCK following entry into the capture-DR state. Therefore, the first bit to be shifted out after selecting the IDCODE register is always a logic 1. The remaining 31 bits are also forced to fixed values on the rising edge of TCK following entry into the capture-DR state.

IDCODE is the default instruction placed into the instruction register when the TAP resets. Thus, after a TAP reset, the IDCODE register is selected automatically.

22.4.3.3 SAMPLE/PRELOAD Instruction

The SAMPLE/PRELOAD instruction has two functions:

- SAMPLE —obtain a sample of the system data and control signals present at the MCU input pins and just before the boundary scan cell at the output pins. This sampling occurs on the rising edge

of TCK in the capture-DR state when the IR contains the \$2 opcode. The sampled data is accessible by shifting it through the boundary scan register to the TDO output by using the shift-DR state. Both the data capture and the shift operation are transparent to system operation.

NOTE

External synchronization is required to achieve meaningful results because there is no internal synchronization between TCK and the system clock.

- **PRELOAD**—initialize the boundary scan register update cells before selecting EXTEST or CLAMP. This is achieved by ignoring the data shifting out on the TDO pin and shifting in initialization data. The update-DR state and the falling edge of TCK can then transfer this data to the update cells. The data is applied to the external output pins by the EXTEST or CLAMP instruction.

22.4.3.4 TEST_LEAKAGE Instruction

The TEST_LEAKAGE instruction forces the jtag_leakage output signal to high. It is intended to tri-state all output pad buffers and disable all of the part's pad input buffers except TEST and TRST. The jtag_leakage signal is asserted at the rising edge of TCK when the TAP controller transitions from update-IR to run-test/idle state. Once asserted, the part disables the TCK, TMS, and TDI inputs into JTAG and forces these JTAG inputs to logic 1. The TAP controller remains in the run-test/idle state until the TRST input is asserted (logic 0).

22.4.3.5 ENABLE_TEST_CTRL Instruction

The ENABLE_TEST_CTRL instruction selects a 3-bit shift register (TEST_CTRL) for connection as a shift path between the TDI and TDO pin. When the user transitions the TAP controller to the UPDATE_DR state, the register transfers its value to a parallel hold register. It allows the control chip to test functions independent of the JTAG TAP controller state.

22.4.3.6 HIGHZ Instruction

The HIGHZ instruction eliminates the need to backdrive the output pins during circuit-board testing. HIGHZ turns off all output drivers, including the 2-state drivers, and selects the bypass register. HIGHZ also asserts internal reset for the MCU system logic to force a predictable internal state.

22.4.3.7 LOCKOUT_RECOVERY Instruction

If a user inadvertently enables security on a MCU, the LOCKOUT_RECOVERY instruction allows the disabling of security by the complete erasure of the internal flash contents including the configuration field. This does not compromise security as the entire contents of the user's secured code stored in flash gets erased before security is disabled on the MCU on the next reset or power-up sequence.

The LOCKOUT_RECOVERY instruction selects a 7-bit shift register for connection as a shift path between the TDI pin and the TDO pin. When the user transitions the TAP controller to the UPDATE-DR state, the 7-bit shift register is loaded into the 7-bit JTAG_TFM_CLKDIV register and this value is output to the TFM's clock divider circuit. When the user transitions the TAP controller to the RUN-TEST/IDLE state, the erase signal to the TFM asserts and the lockout sequence starts. The controller must remain in that state until the erase sequence has completed. Once the lockout recovery sequence has completed, the user must reset both the JTAG TAP controller and the MCU to return to normal operation.

22.4.3.8 CLAMP Instruction

The CLAMP instruction selects the bypass register and asserts internal reset while simultaneously forcing all output pins and bidirectional pins configured as outputs to the fixed values that are preloaded and held in the boundary scan update register. CLAMP enhances test efficiency by reducing the overall shift path to a single bit (the bypass register) while conducting an EXTEST type of instruction through the boundary scan register.

22.4.3.9 BYPASS Instruction

The BYPASS instruction selects the bypass register, creating a single-bit shift register path from the TDI pin to the TDO pin. BYPASS enhances test efficiency by reducing the overall shift path when a device other than the ColdFire processor is the device under test on a board design with multiple chips on the overall boundary scan chain. The shift register LSB is forced to logic 0 on the rising edge of TCK after entry into the capture-DR state. Therefore, the first bit shifted out after selecting the bypass register is always logic 0. This differentiates parts that support an IDCODE register from parts that support only the bypass register.

22.5 Initialization/Application Information

22.5.1 Restrictions

The test logic is a static logic design, and TCK can be stopped in either a high or low state without loss of data. However, the system clock is not synchronized to TCK internally. Any mixed operation using both the test logic and the system functional logic requires external synchronization.

Using the EXTEST instruction requires a circuit-board test environment that avoids device-destructive configurations in which MCU output drivers are enabled into actively driven networks.

22.5.2 Nonscan Chain Operation

Keeping the TAP controller in the test-logic-reset state ensures that the scan chain test logic is transparent to the system logic. It is recommended that TMS, TDI, TCK, and TRST be pulled up. TRST could be connected to ground. However, since there is a pull-up on TRST, some amount of current results. The internal power-on reset input initializes the TAP controller to the test-logic-reset state on power-up without asserting TRST.

Part IV

Communications Subsystem

Part IV contains chapters that discuss the operation and configuration of the communications I/O subsystem including the MCF547x multichannel DMA, communications timer, PSC, FEC, DSPI, and USB2, and I²C.

Contents

Part IV contains the following chapters:

- Chapter 23, “Multichannel DMA,” provides an overview of the multichannel DMA controller module including the operation of the external DMA request signals.
- Chapter 24, “Comm Timer Module (CTM),” contains a detailed description of the communications timer module, which functions as a baud clock generator or as a DMA task initiator.
- Chapter 25, “Programmable Serial Controller (PSC),” provides an overview of asynchronous, synchronous, and IrDA 1.1 compliant receiver/transmitter serial communications of the MCF547x.
- Chapter 26, “I²C Interface,” describes the MCF547x I²C module, including I²C protocol, clock synchronization, and the registers in the I²C programming model. It also provides programming examples.
- Chapter 27, “DMA Serial Peripheral Interface (DSPI),” describes the use of the DMA serial peripheral interface (DSPI) implemented on the MCF547x processor, including details of the DSPI data transfers. The chapter concludes with timing diagrams and the DSPI features that support Tx and Rx FIFO queue management.
- Chapter 28, “USB 2.0 Device Controller,” provides an overview of the USB 2.0 device controller module used in the MCF547x.
- Chapter 29, “Fast Ethernet Controller (FEC),” provides a feature-set overview, a functional block diagram, and transceiver connection information for both MII (Media Independent Interface) and 7-wire serial interfaces. It also provides describes operation and the programming model.



Chapter 23

Multichannel DMA

23.1 Introduction

The MCF547X's direct memory access controller (DMA) module provides a flexible and efficient means to move blocks of data within the system. The multichannel DMA controller reduces the workload on the microprocessor, allowing it to continue execution of system software. The DMA microcode engine is tailored to efficiently transfer data across the internal bus architecture to memory and peripheral devices.

Access to the functionality of the multichannel DMA is provided using a software API. The "Multichannel DMA API User's Guide" (MCDMAAPIUG) contains a full description of the software API for use with the DMA. Please refer to that document for software driver information.

23.1.1 Block Diagram

Figure 23-1 shows the internal block structure and data paths within the multichannel DMA module. A very brief description of each block follows.

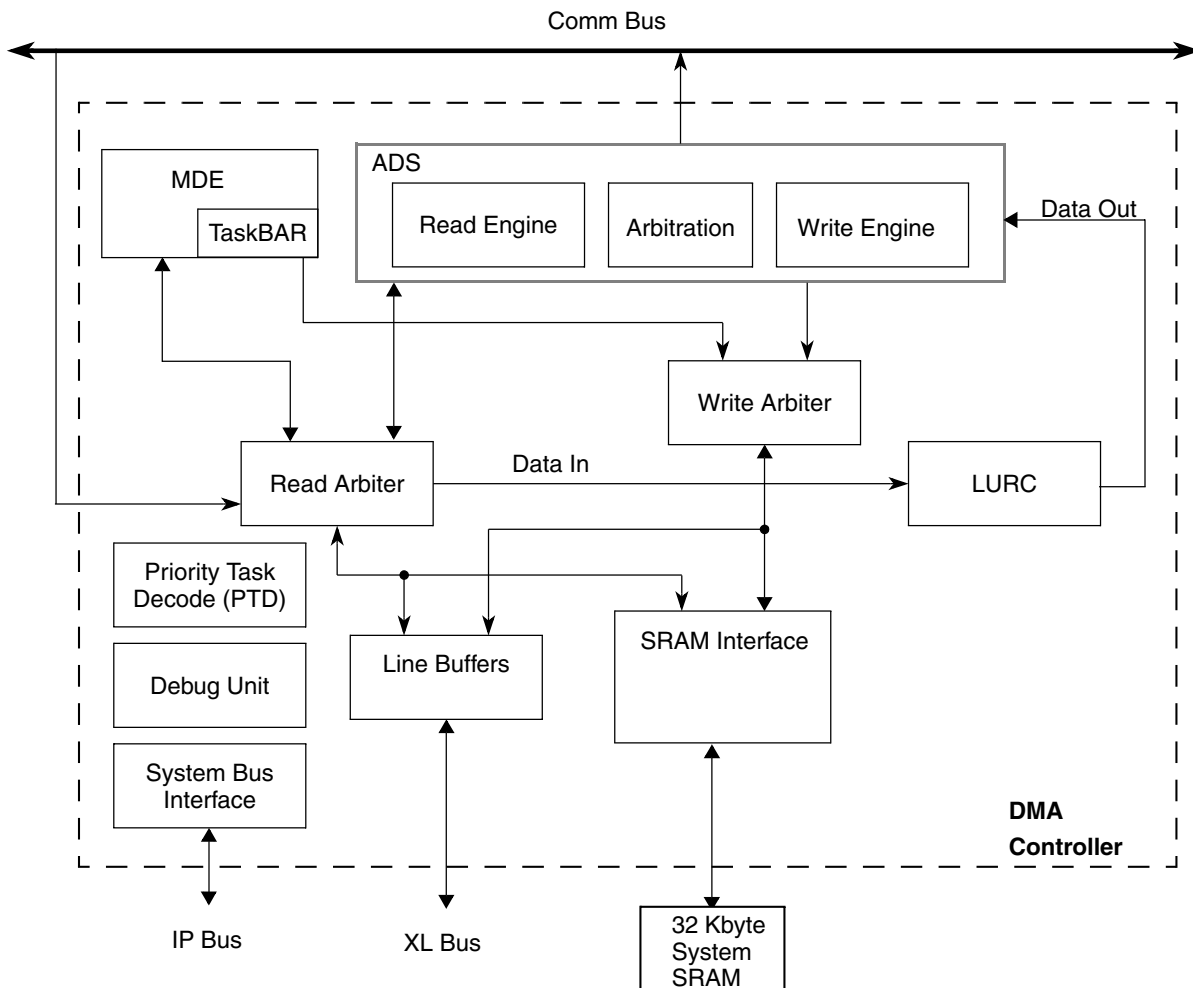


Figure 23-1. DMA Block Diagram

23.1.2 Overview

The DMA controller processes microcode tasks that are stored in memory. A task is a sequence of instructions, referred to as *descriptors*, that specifies a series of data movements or manipulations. The DMA controller steps through the descriptors and executes the specified function in a similar fashion to a CPU executing a program.

23.1.2.1 Master DMA Engine (MDE)

The MDE is the main interpreter for the multichannel DMA. It parses descriptors and sets up the other blocks to perform the actual data movement and manipulation. It also manages context switches. For more MDE information see [Section 23.5, “Programming Model.”](#)

23.1.2.2 Address and Data Sequencer (ADS)

The ADS is the engine that pumps data through the multichannel DMA. Based on configuration bits set by the MDE (derived from the application program), the ADS will fetch operands, route them through execution units, store results as appropriate, and evaluate termination conditions.

23.1.2.3 Priority-Task Decoder (PTD)

The PTD manages prioritization of initiators and maintains the mapping from initiator to task number. The user has complete control of initiator priority. The PTD also maintains error status and control.

23.1.2.4 Logic Unit with Redundancy Check (LURC)

The LURC can perform several arithmetic and logical operations including addition, subtraction, logical shifts, binary operations, and checksum calculations. The LURC can perform as many as five boolean operations on up to four operands and provides an efficient mechanism for performing endian conversions. The checksum unit can compute the following CRC polynomials: CRC-32, CRC-16, CRC-CCITT, and the internet checksum.

23.1.2.5 Debug Unit

The Debug unit provides simple breakpoint functionality to halt tasks when they reach certain conditions.

23.1.3 Features

The DMA module has the following features:

- A programmatic, deterministic capability for managing bus resources while servicing many data streams with individual latency and processing requirements.
- Single cycle access of peripheral and memory data.
- Support for up to 16 simultaneously enabled tasks (channels)
- Support for up to 32 separate DMA initiators at a time
- Simultaneous 32-bit reads and writes for many sources and targets
- Checksum generation
- Endian conversion
- Chaining/scatter-gather capability
- Support for packet-based I/O protocols

23.2 External Signals

23.2.1 $\overline{\text{DREQ}}[1:0]$

These active-low inputs provide external requests from peripherals needing DMA service. When asserted, the device is requesting service. Depending on the operating mode, either the level of the signal is sampled at the rising edge of the system clock or an edge detect is used to recognize a high to low change. These inputs have no effect when the task enable control bit is cleared.

23.2.2 $\overline{\text{DACK}}[1:0]$

These active-low outputs indicate when the DMA request is being acknowledged. These outputs can be programmed to assert from one to four system clocks, depending on the operating mode. The $\overline{\text{DACK}}$ signals are programmed to recognize the address on one of the DMA address buses and assert if a match is made. The size of the address space can be increased by setting the EREQMASK_n address mask bits. See Section 23.3.4.3, “External Request Address Mask Register (EREQMASK)”, for more information.

23.3 Memory Map/Register Definitions

Memory organization is described in the register array pointed to by the memory base address register (MBAR). Information necessary to enable the DMA is described in this register array at the predetermined offset of $\text{MBAR} + 0x8000$.

The TaskBAR identifies a location for the table of pointers to multichannel DMA tasks. Each task has an entry that contains information about the microcode’s location in memory as well as a pointer to the variable table to be used in the task.

In the MCF547x, DMA memory is controlled both by the programmer and by the DMA engine itself.

23.3.1 DMA Task Memory

The DMA uses memory provided by the user to store task code and structures. [Figure 23-2](#) shows some of the structures in DMA memory. This memory region may exist in any addressable storage, such as system SRAM or external memory.

23.3.1.1 Task Table

The task table is a memory region containing pointers to each MDE task. A task table base address register (taskBAR) sets the location of the task table itself. Each entry in the task table contains pointers to the task’s first descriptor, last descriptor, variable table, and other task-specific information. The task table must be aligned to a 512-byte boundary.

23.3.1.2 Task Descriptor Table

Each task descriptor table is a memory region containing the descriptors that comprise the task. Each task descriptor table is composed of Data Routing Descriptors (DRD) and Loop Control Descriptors (LCD). The pointers in the task table define the beginning and end of each task descriptor table; see [Figure 23-2](#). Task descriptor tables must be aligned to a longword (32 bit) boundary.

23.3.1.3 Variable Table

Each task has a private 48-longword variable table. Typically, each variable table must be aligned to a 256-byte boundary, though some may be aligned to a 128-byte boundary if the task uses 32 or less variables.

23.3.1.4 Function Descriptor Table

Function descriptor tables are 256-byte tables that hold the operation codes to be passed to the DMA execution units when data manipulation is performed. Each function descriptor table must be aligned to a 256-byte boundary. Each function descriptor table is divided into four 64-byte areas, one for each potential execution unit. This implementation of the multichannel DMA only contains one execution unit, the LURC, and it uses the last (fourth) 64-byte area.

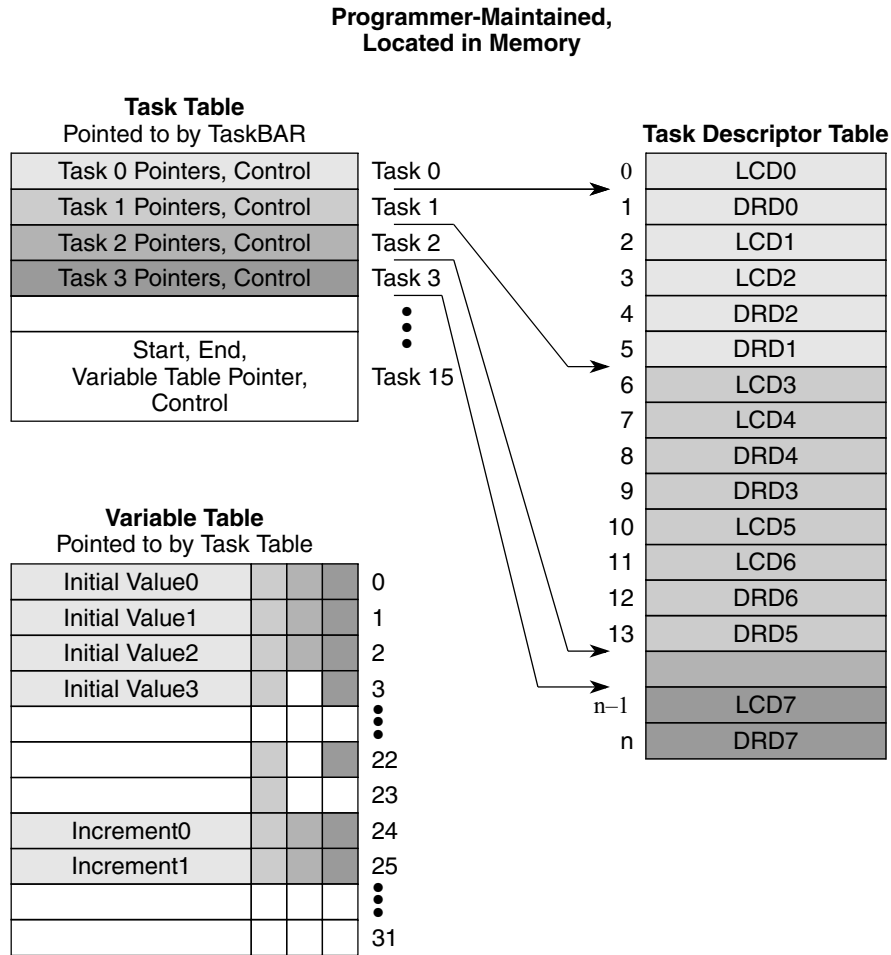
23.3.1.5 Context Save Space

Each task has a context save space that the DMA uses to save internal context in when a task is swapped out of operation. When a task is swapped back into operation, the internal context can be retrieved from the context save space.

23.3.2 Memory Structure

Each of these memory regions may exist in any addressable storage, such as internal system SRAM or external memory (internal system SRAM is recommended).

[Figure 23-2](#) illustrates the memory regions that are programmer maintained.



*Shadings indicate different tasks.
Four tasks shown.*

Figure 23-2. DMA Programmer-Maintained Memory Model

23.3.3 DMA Registers

23.3.3.1 DMA Register Map

Table 23-1 shows the memory map of the DMA module.

Table 23-1. DMA Memory Map

Address (MBAR +)	Name	Byte0	Byte1	Byte2	Byte3	Access
0x8000	Task Base Address Register	TaskBAR				R/W
0x8004	Current Pointer	CP				R
0x8008	End Pointer	EP				R

Table 23-1. DMA Memory Map (Continued)

Address (MBAR +)	Name	Byte0	Byte1	Byte2	Byte3	Access
0x800C	Variable Pointer	VP				R
0x8010	PTD Control Register			PTD		R/W
0x8014	DMA Interrupt Pending Register	DIPR				R/W
0x8018	DMA Interrupt Mask Register	DIMR				R/W
0x801C	Task Control Register	TCR0		TCR1		R/W
0x8020	Task Control Register	TCR2		TCR3		R/W
0x8024	Task Control Register	TCR4		TCR5		R/W
0x8028	Task Control Register	TCR6		TCR7		R/W
0x802C	Task Control Register	TCR8		TCR9		R/W
0x8030	Task Control Register	TCR10		TCR11		R/W
0x8034	Task Control Register	TCR12		TCR13		R/W
0x8038	Task Control Register	TCR14		TCR15		R/W
0x803C	Priority Register	PRIOR0	PRIOR1	PRIOR2	PRIOR3	R/W
0x8040	Priority Register	PRIOR4	PRIOR5	PRIOR6	PRIOR7	R/W
0x8044	Priority Register	PRIOR8	PRIOR9	PRIOR10	PRIOR11	R/W
0x8048	Priority Register	PRIOR12	PRIOR13	PRIOR14	PRIOR15	R/W
0x804C	Priority Register	PRIOR16	PRIOR17	PRIOR18	PRIOR19	R/W
0x8050	Priority Register	PRIOR20	PRIOR21	PRIOR22	PRIOR23	R/W
0x8054	Priority Register	PRIOR24	PRIOR25	PRIOR26	PRIOR27	R/W
0x8058	Priority Register	PRIOR28	PRIOR29	PRIOR30	PRIOR31	R/W
0x805C	InitiatorMuxControl	IMCR				—
0x8060	Task Size Register 0	TSKSZ0				R/W
0x8064	Task Size Register 1	TSKSZ1				R/W
0x8068 - 0x806f	Reserved					
0x8070	Debug Comparator 1	DBGCOMP1				R/W
0x8074	Debug Comparator 2	DBGCOMP2				R/W
0x8078	Debug Control	DBGCTL				R/W
0x807C	Debug Status	DBGSTAT				R/W
0x8080	PTD Debug Registers	PTDDBG				R ¹

¹ Writes must be to this address first to select the next register to read.

23.3.3.2 Task Base Address Register (TaskBAR)

Note that there is a 512-byte alignment restriction on the TaskBAR.

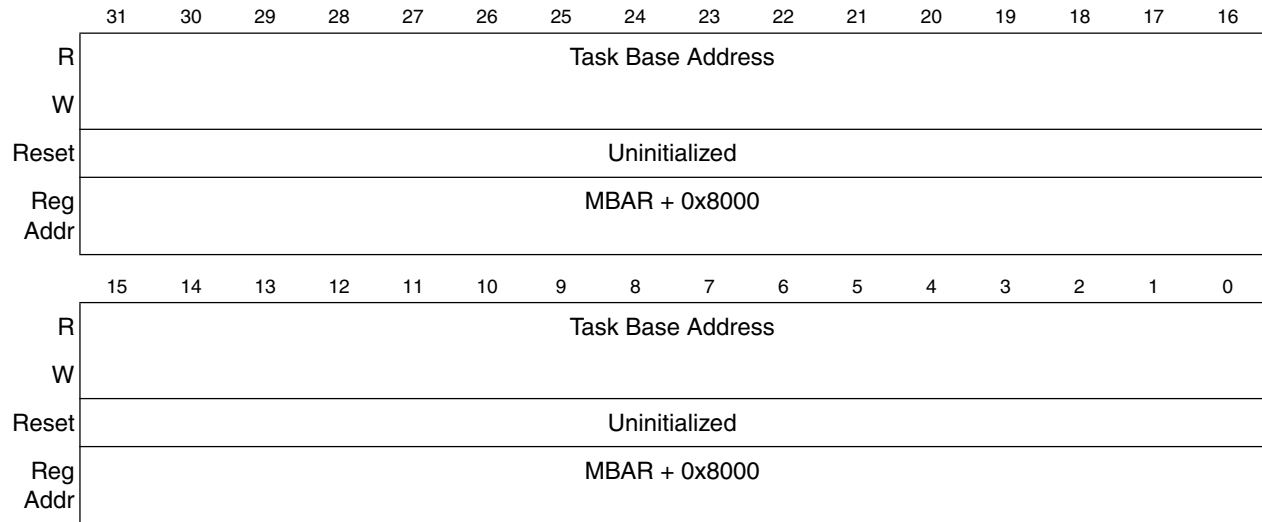


Figure 23-3. Task Base Address Register (TaskBAR)

Table 23-2. TaskBAR Field Descriptions

Bits	Name	Description
31–0	Task Base Address	Task base address. Pointer to the base address of the DMA task table.

23.3.3.3 Current Pointer (CP)

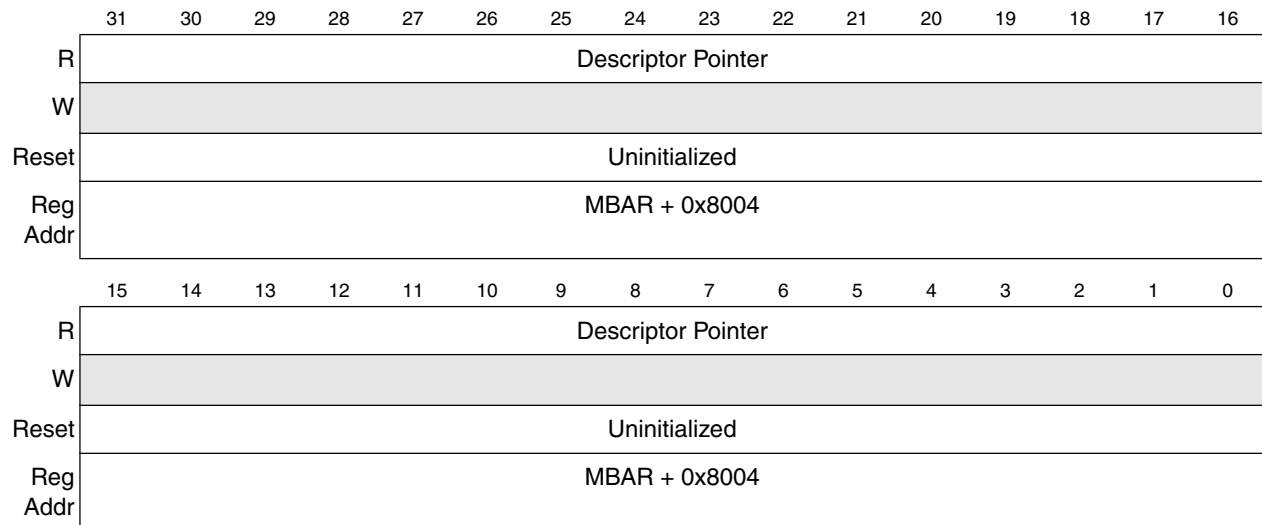


Figure 23-4. Current Pointer Register (CP)

Table 23-3. CP Field Descriptions

Bits	Name	Description
31–0	Descriptor Pointer	Descriptor pointer. Pointer to the address of the DMA descriptor that is currently executing.

23.3.3.4 End Pointer (EP)

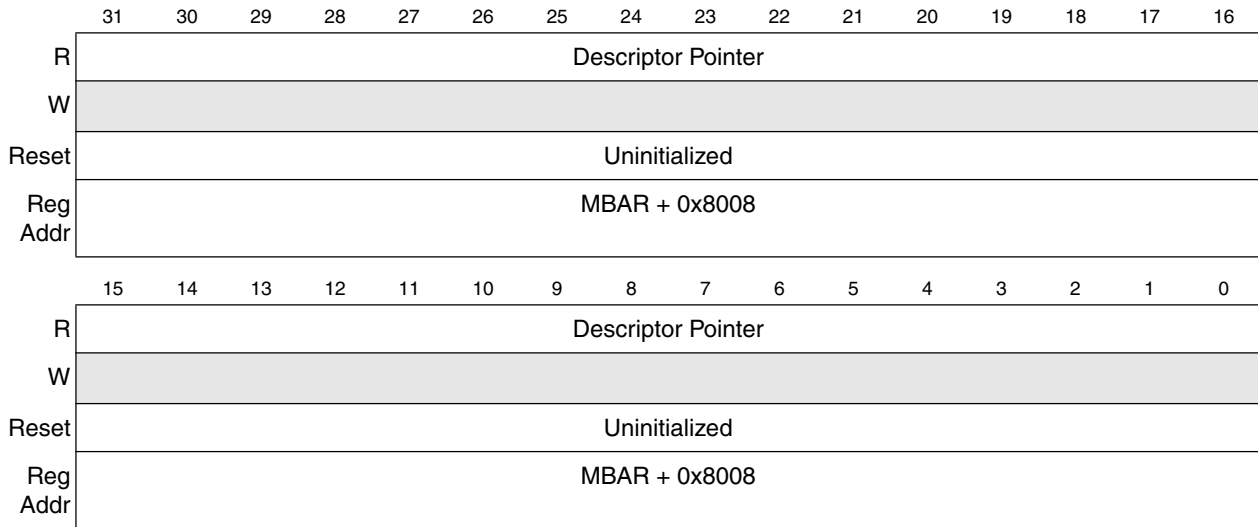


Figure 23-5. End Pointer Register (EP)

Table 23-4. EP Field Descriptions

Bits	Name	Description
31–0	Descriptor Pointer	Descriptor pointer. Pointer to the address of the last DMA descriptor for the currently executing task.

23.3.3.5 Variable Pointer (VP)

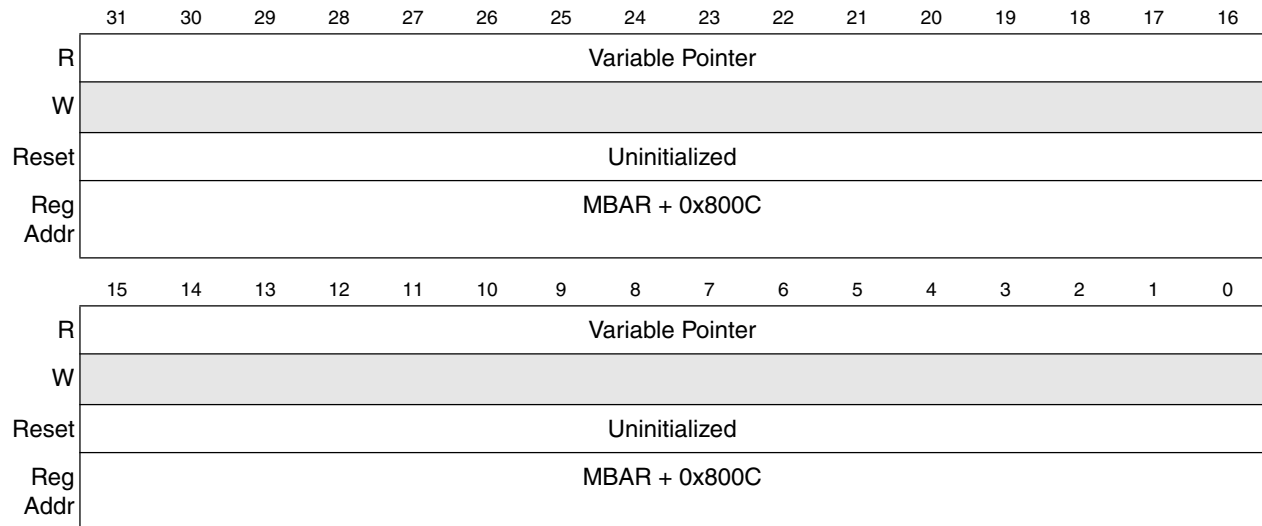


Figure 23-6. Variable Pointer Register (VP)

Table 23-5. VP Field Descriptions

Bits	Name	Description
31–0	Variable Pointer	Variable pointer. Pointer to the starting address of the variable table for the currently executing task.

23.3.3.6 PTD Control (PTD)

The priority task decode control register is used to configure different operating modes of this DMA module. The PTD is also used to enable/disable new functionality designed into the module after the first release of the design.

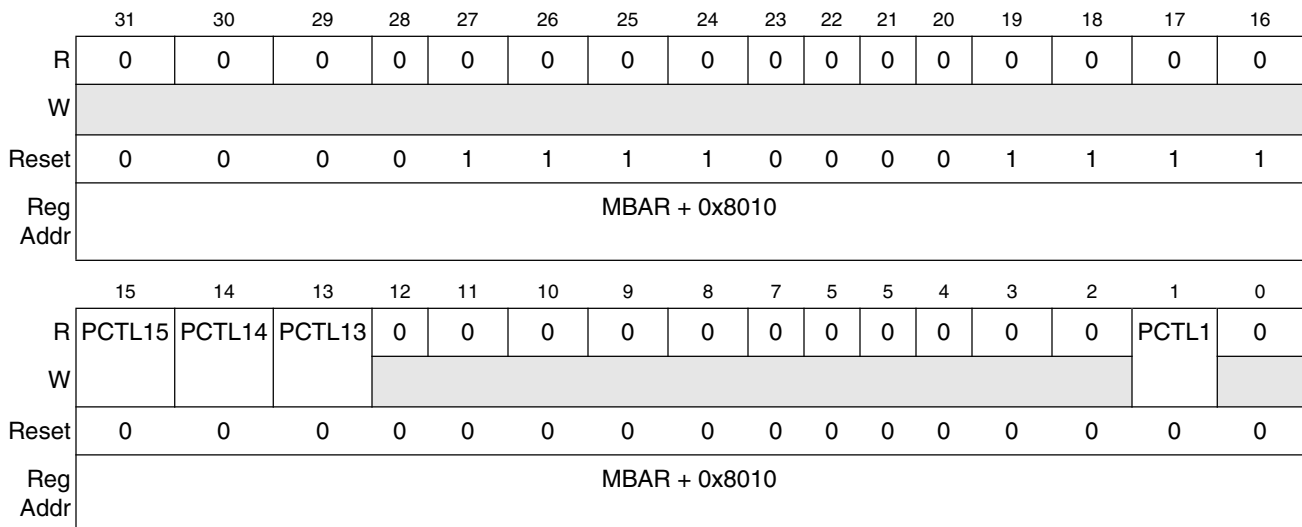


Figure 23-7. PTD Control Register (PTD)

Table 23-6. PTD Field Descriptions

Bits	Name	Description
31–16	—	Reserved.
15	PCTL15	Task priority control. This bit selects the prioritization scheme used by the DMA when deciding which tasks to run. This is a global bit and affects all DMA channels. See Section 23.4.5, “Prioritization,” and Section 23.3.3.10, “Priority Registers (PRIORn),” for further reference. 1 Task priority 0 Request priority
14	PCTL14	Bus error control 0 Enable interrupt for bus error 1 Disable interrupt for bus error
13	PCTL13	Task arbitration control 0 Do not force arbitration 1 Force arbitration for higher task number on same request level
12–2	—	Reserved
1	PCTL1	Registered request control 0 Take request straight from FIFO controller 1 Enable registered Requester from prefetch buffer
0	PCTL0	CommBus Prefetch 1 disable prefetch 0 enable prefetch

23.3.3.7 DMA Interrupt Pending (DIPR)

	31	30	29	28	27	26	25	24	23	22	21	20	19	18	17	16
R	0	0	0	0	0	0	0	0	0	0	0	0	0	0	0	0
W																
Reset	0	0	0	0	0	0	0	0	0	0	0	0	0	0	0	0
Reg Addr	MBAR +0x8014															
	15	14	13	12	11	10	9	8	7	6	5	4	3	2	1	0
R	TASK 15	TASK 14	TASK 13	TASK 12	TASK 11	TASK 10	TASK 9	TASK 8	TASK 7	TASK 6	TASK 5	TASK 4	TASK 3	TASK 2	TASK 1	TASK 0
W																
Reset	0	0	0	0	0	0	0	0	0	0	0	0	0	0	0	0
Reg Addr	MBAR +0x8014															

Figure 23-8. DMA Interrupt Pending Register (DIPR)

Table 23-7. DIPR Field Descriptions

Bits	Name	Description
31–16	—	Reserved
15–0	TASK n	Interrupt Pending. Each bit corresponds to an interrupt source defined by the task number. The corresponding bit in this register reflects the state of the interrupt signal even if the corresponding mask bit is set. A bit is cleared by writing a 1 to that bit location; writing a zero has no effect. At system reset, all bits are initialized to logic zeros. 0 The corresponding interrupt source not pending 1 The corresponding interrupt source pending

23.3.3.8 DMA Interrupt Mask Register (DIMR)

	31	30	29	28	27	26	25	24	23	22	21	20	19	18	17	16
R	0	0	0	0	0	0	0	0	0	0	0	0	0	0	0	0
W																
Reset	1	1	1	1	1	1	1	1	1	1	1	1	1	1	1	1
Reg Addr	MBAR + 0x8018															
	15	14	13	12	11	10	9	8	7	6	5	4	3	2	1	0
R	TASK 15	TASK 14	TASK 13	TASK 12	TASK 11	TASK 10	TASK 9	TASK 8	TASK 7	TASK 6	TASK 5	TASK 4	TASK 3	TASK 2	TASK 1	TASK 0
W																
Reset	1	1	1	1	1	1	1	1	1	1	1	1	1	1	1	1
Reg Addr	MBAR + 0x8018															

Figure 23-9. DMA Interrupt Mask Register (DIMR)

Table 23-8. DIMR Field Descriptions

Bits	Name	Description
31–16	—	Reserved
15–0	TASK n	Interrupt mask. Each bit corresponds to an interrupt source defined by the task number. An interrupt is masked by setting the corresponding bit in the IMR. At system reset, all bits are initialized to logic ones. 0 The corresponding interrupt source is not masked 1 The corresponding interrupt source is masked

23.3.3.9 Task Control Registers (TCR n)

Each of the sixteen tasks has an associated task control register. Only one register is shown. At system reset, all bits are initialized to logic zeros.

	15	14	13	12	11	10	9	8	7	6	5	4	3	2	1	0
R	EN	V	ALWINIT	INITNUM				ASTRT	HIPRITSKEN	HLDINITNUM	0	ASTSKNUM				
W																
Reset	0	0	0	0	0	0	0	0	0	0	0	0	0	0	0	0
Reg Addr	MBAR + 0x801C (TCR0), 0x801E (TCR1), 0x8020 (TCR2), 0x8022 (TCR3), 0x8024 (TCR4), 0x8026 (TCR5), 0x8028 (TCR6), 0x802A (TCR7), 0x802C (TCR8), 0x280E (TCR9), 0x3800 (TCR10), 0x8032 (TCR11), 0x8034 (TCR12), 0x8036 (TCR13), 0x8038 (TCR14), 0x803A (TCR15)															

Figure 23-10. Task Control Register (TCR_n)

23.3.3.10 Priority Registers (PRIOR_n)

Table 23-9. TCR_n Field Descriptions

Bits	Name	Description
15	EN	Task enable. Setting this bit will start the task. This bit can be set or cleared by the programmer at any time when a task is enabled or disabled. This bit is also set by the PTD logic if the auto-restart bit is set and the task completes. 0 Disabled 1 Enabled
14	V	Initiator number is valid. This bit is set by the PTD logic when the MDE obtains the initiator value from the first DRD that is parsed. This bit is cleared by the PTD logic when the task completes. At system reset, this bit is cleared. 0 Initiator is not valid 1 Initiator is valid
13	ALWINIT	Decode of the always initiator. This bit is a status only bit and is set and cleared by writing the initiator number into the Task Control Register. When the always initiator number (0) is written to the Task Control Register by the user or the MDE the ALWINIT bit is set. When a different initiator number is written to the Task Control Register, then the ALWINIT bit is cleared. 0 The always initiator is not being used 1 The always initiator is being used
12–8	INITNUM[4:0]	Initiator number from task descriptor. These bits are registered when the MDE has parsed the first DRD to obtain the initiator number. These bits are cleared by system reset. These bits can be written by the programmer when the HLDINITNUM bit is set or being set and the task is not enabled.
7	ASTRT	Auto start. This bit can be set or cleared by the programmer at any time. This bit is also cleared if the MDE encounters an error in the task. At system reset, this bit is cleared. Setting this bit instructs the MDE to start the task indicated by the ASTSKNUM field once the current task completes. 0 Task will not start at end of task 1 Task will start at end of task
6	HIPRITSKEN	High-priority task enable. This bit can be set or cleared by the programmer at any time. This bit enables the MDE to give priority to the enable task function over a running task. At system reset, this bit is cleared. 0 Normal task enable control 1 High priority task enable control

Table 23-9. TCR_n Field Descriptions (Continued)

Bits	Name	Description
5	HLDINITNUM	Hold initiator number. This bit allows the initiator number to be set by the programmer and held for the complete task. The MDE module can not overwrite the programmed initiator except for the use of the always initiator which is contained in a separate control bit. 0 Allow the MDE module to update initiator number for task 1 Keep current initiator number
4	—	Reserved.
3–0	ASTSKNUM[3:0]	Auto-start task number. These four bits contain the task number that will be auto-started when the ASTRT control bit is set. At system reset, these bits are cleared.

When the PTD Control register bit 15 is set to a logic one, the first 16 Priority Registers are used to set the associated priority level of the corresponding task. The last 16 Priority registers are unused in this case. When PTD[PCTL15] is set to zero, the 32 Priority registers are used to set the associated priority level of the corresponding initiator. Only one register is shown. At system reset, all bits are initialized to a logic zero.

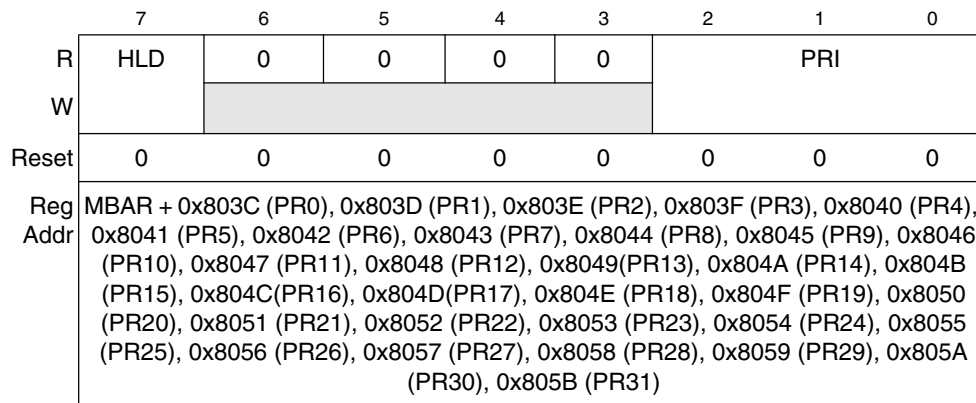


Figure 23-11. Priority Register

Table 23-10. PRIOR Field Descriptions

Bits	Name	Description
7	HLD	Keep current priority of initiator. This bit can be set or cleared by the programmer at any time. This bit allows the current initiator to hold priority until the initiator has negated or the task has finished. When this bit is cleared, an initiator with a higher priority will block the current initiator and force arbitration. At system reset, this bit is cleared. 0 Allow higher priority initiator to block current initiator 1 Hold current initiator priority level Note: Setting this bit in task priority allows a low priority task which is currently executing to complete before allowing a higher priority task to be executed and therefore may not be desirable.

Table 23-10. PRIOR Field Descriptions (Continued)

Bits	Name	Description
6–3	—	Reserved.
2–0	PRI	Priority level. These bits are set by the programmer at any time. The PRI field controls the service priority of tasks by assigning each task a priority level. The highest priority level is 7 and the lowest priority level is 0. If more than one task/ initiator contains the same priority then the higher numbered task will take precedence.

23.3.3.11 Initiator Mux Control Register (IMCR)

The DMA supports up to 32 simultaneous DMA request sources, or initiators. For systems where the number of initiators can exceed 32, it is possible to mux them such that there is user control of which 32 are active at any time. Because there are more than 32 possible DMA initiators on the MCF547X, some of the initiators are multiplexed to provide software control of which 32 are active at any time. [Figure 23-13](#) shows how the assignments are made from a particular request device to its request number. Sixteen initiators are always valid, and up to 64 initiators have muxing options for the other 16 request slots. A single initiator can have multiple muxing options, but only one path should be enabled at a time.

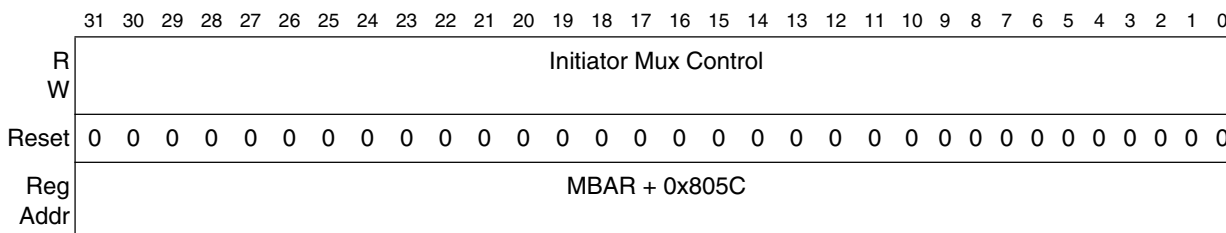


Figure 23-12. Initiator Mux Control Register (IMCR)

Figure 23-13. Initiator Assignments

Request Number (of Source)	Initiator Mux Control Register Bit	Encoding			
		00	01	10	11
0	none	ALWAYS (This initiator is always asserted)			
1	none	DSPI RxFIFO			
2	none	DSPI TxFIFO			
3	none	$\overline{\text{DREQ0}}$			
4	none	PSC0 Rx			
5	none	PSC0 Tx			
6	none	USB device Tx/Rx endpoint 0			
7	none	USB device Tx/Rx endpoint 1			
8	none	USB device Tx/Rx endpoint 2			
9	none	USB device Tx/Rx endpoint 3			
10	none	PCI Tx			

Figure 23-13. Initiator Assignments (Continued)

Request Number (of Source)	Initiator Mux Control Register Bit	Encoding			
		00	01	10	11
11	none	PCI Rx			
12	none	PSC1 Rx			
13	none	PSC1 Tx			
14	none	I ² C Rx			
15	none	I ² C Tx			
16	1:0	FEC0 Rx	Reserved		
17	3:2	FEC0 Tx	Reserved		
18	5:4	Reserved	Reserved	FEC0 Rx	
19	7:6	Reserved	Reserved	FEC0 Tx	Reserved
20	9:8	Reserved	FEC1 Rx	Reserved	Reserved
21	11:10	$\overline{\text{DREQ}}_1$	FEC1 Tx	Reserved	Reserved
22	13:12	Reserved	FEC0 Rx	Reserved	Reserved
23	15:14	Reserved	FEC0 Tx	Reserved	Reserved
24	17:16	Reserved	CommTimer0	FEC1 Rx	Reserved
25	19:18	Reserved	CommTimer1	FEC1 Tx	Reserved
26	21:20	USB Endpoint 4	Reserved	CommTimer2	Reserved
27	23:22	USB Endpoint 5	Reserved	CommTimer3	Reserved
28	25:24	USB Endpoint 6	CommTimer4	$\overline{\text{DREQ}}_1$	PSC2 Rx
29	27:26	Reserved	$\overline{\text{DREQ}}_1$	CommTimer5	PSC2Tx
30	29:28	FEC1 Rx	CommTimer6	Reserved	PSC3 Rx
31	31:30	FEC1 Tx	Reserved	CommTimer7	PSC3 Tx

23.3.3.12 Task Size Registers (TSKSZ[0:1])

Each of the 16 tasks can be programmed to use specific source and destination sizes contained in a task size register instead of a specific type encoded in a DRD. The ADS module uses the task size register information to determine the source and destination transfer size of the operands. When the size contained in the DRD is set to 2'b11 then specific source and destination size fields from the task size register are selected.

	31	30	29	28	27	26	25	24	23	22	21	20	19	18	17	16
	TASK0				TASK1				TASK2				TASK3			
R	SRCSZ		DSTSZ		SRCSZ		DSTSZ		SRCSZ		DSTSZ		SRCSZ		DSTSZ	
W																
Reset	0	0	0	0	0	0	0	0	0	0	0	0	0	0	0	0
Reg Addr	MBAR + 0x8060 (TSKSZ0)															
	15	14	13	12	11	10	9	8	7	6	5	4	3	2	1	0
	TASK4				TASK5				TASK6				TASK7			
R	SRCSZ		DSTSZ		SRCSZ		DSTSZ		SRCSZ		DSTSZ		SRCSZ		DSTSZ	
W																
Reset	0	0	0	0	0	0	0	0	0	0	0	0	0	0	0	0
Reg Addr	MBAR + 0x8060 (TSKSZ0)															

Figure 23-14. Task Size Register 0 (TSKSZ0)

	31	30	29	28	27	26	25	24	23	22	21	20	19	18	17	16
	TASK8				TASK9				TASK10				TASK11			
R	SRCSZ		DSTSZ		SRCSZ		DSTSZ		SRCSZ		DSTSZ		SRCSZ		DSTSZ	
W																
Reset	0	0	0	0	0	0	0	0	0	0	0	0	0	0	0	0
Reg Addr	MBAR +0x8064 (TSKSZ1)															
	15	14	13	12	11	10	9	8	7	6	5	4	3	2	1	0
	TASK12				TASK13				TASK14				TASK15			
R	SRCSZ		DSTSZ		SRCSZ		DSTSZ		SRCSZ		DSTSZ		SRCSZ		DSTSZ	
W																
Reset	0	0	0	0	0	0	0	0	0	0	0	0	0	0	0	0
Reg Addr	MBAR +0x8064 (TSKSZ1)															

Figure 23-15. Task Size Register 1 (TSKSZ1)

Table 23-11. TSKSZ Field Descriptions

Bits	Name	Descriptions
31:30, 27:26, 23:22, 19:18, 15:14, 11:10, 7:6, 3:2	SRCSZ	Source size 00 Longword 01 Byte 1x Word
29:28, 25:24, 21:20, 17:16, 13:12, 9:8, 5:4, 1:0	DSTSZ	Destination size 00 Longword 01 Byte 1x Word

23.3.3.13 Debug Comparator Registers (DBGCOMP n)

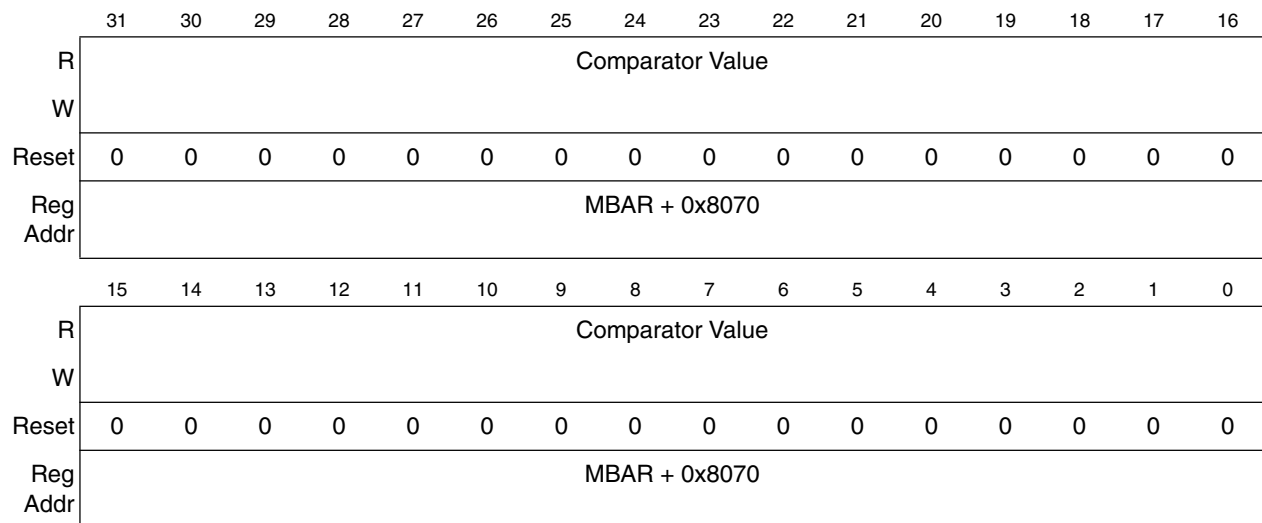
Figure 23-16. Debug Comparator Register (DBGCMP n)

Table 23-12. Debug Comparator Field Descriptions

Bits	Name	Description
31–0	Comparator Value	Comparator value for comparator 1 or comparator 2.

23.3.3.14 Debug Control (DBGCTL)

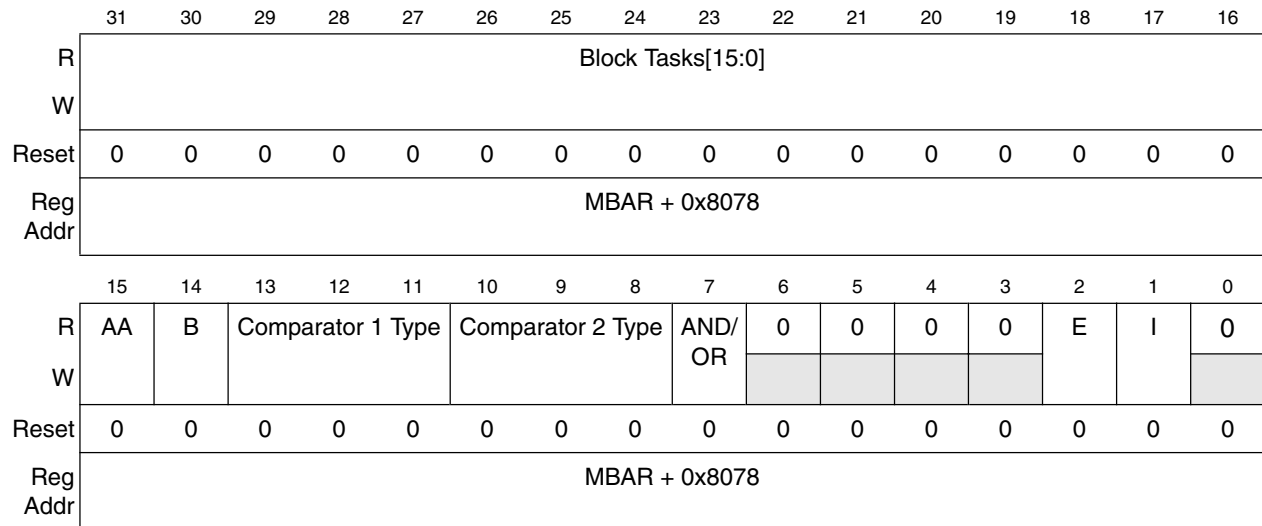


Figure 23-17. Debug Control Register (DBGCTL)

Table 23-13. Debug Control Field Descriptions

Bits	Name	Description
31–16	Block Tasks	Specify for each of tasks 15-0, whether to block that task with detection of a breakpoint 0 Do not block task 1 Block the task
15	AA	AutoArm—The bit specifies whether or not the triggered bit dbgStatusReg[16] will be automatically reset to 0 following the saving of context for a breakpoint. This bit is set to 0 at reset. 0 Triggered bit will not be automatically reset 1 Triggered bit will be automatically reset
14	B	Breakpoint—This bit specifies whether or not to take a breakpoint. This bit is set to 0 at reset. 0 Disable breakpoints 1 Enable breakpoints
13-11	Comparator Type 1	Comparator 1 type—These bits specify the type of data that has been loaded into comparator 1; refer to Table 23-14 for the bit encodings.
10-8	Comparator Type 2	Comparator 2 type—These bits specify the type of data that has been loaded into comparator 2; refer to Table 23-15 for the bit encodings
7	AND/OR	AND/OR—This specifies what type of operation is to be used with the comparators. This bit is set to 0 at reset. 0 Indicates a OR'ing of the comparators 1 Indicates a AND'ing of the comparators
6-3		Reserved.
2	E	Enable external breakpoint. 0 Do not enable external breakpoint to cause a halt condition 1 Allow external breakpoint to cause a halt condition

Table 23-13. Debug Control Field Descriptions (Continued)

Bits	Name	Description
1	I	Enable internal breakpoint 0 Do not enable internal breakpoint to cause a halt condition 1 Allow internal breakpoint to cause a halt condition
0	—	Reserved.

Table 23-14 below shows the encodings for the comparator 1 type bits. These bits are set to 000 at reset signifying an uninitialized state.

Table 23-14. Comparator 1 Type Bit Encoding

Encodings	Comparator 1 Type
000	uninitialized
001	write address
010	read address
011	current pointer
100	task #
101	reserved
110	reserved
111	reserved

Table 23-15 below shows the encodings for the bits. These bits are set to 101 at reset signifying an uninitialized state.

Table 23-15. Comparator 2 Type Bit Encodings

Encodings	Comparator 2 Type
000	uninitialized
001	write address
010	read address
011	current pointer
100	task #
101	counter value
110	reserved
111	reserved

23.3.3.15 Debug Status (DBGSTAT)

	31	30	29	28	27	26	25	24	23	22	21	20	19	18	17	16
R	0	0	0	0	0	0	0	0	0	0	0	0	0	I	E	T
W															w1c	w1c
Reset	0	0	0	0	0	0	0	0	0	0	0	0	0	0	0	0
Reg Addr	MBAR + 0x807C															

	15	14	13	12	11	10	9	8	7	6	5	4	3	2	1	0
R	Task Blocked[15:0]															
W	w1c															
Reset	0	0	0	0	0	0	0	0	0	0	0	0	0	0	0	0
Reg Addr	MBAR + 0x807C															

Figure 23-18. Debug Status Register (DBGSTAT)

Table 23-16. Debug Status Field Descriptions

Bits	Name	Description
31-19	—	Reserved.
18	I	Interrupt. This bit indicates whether or not an interrupt has been taken. This bit is set to 0 at reset. It can be written by the user or the PTD. 0 No Interrupt 1 Interrupt taken
17	E	External Breakpoint. This bit indicates detection of an external breakpoint. Status bit is sticky and requires a 1 to be written to it to clear it. The writing of a 0 to this bit has no effect. This bit is set to 0 at reset. 0 No external breakpoint detected 1 External breakpoint detected
16	T	Triggered. This bit indicates that a DMA breakpoint has occurred with the current settings. Status bit is sticky and requires a 1 to be written to it to clear it. The writing of a 0 to this bit has no effect. This bit is set to 0 at reset. 0 Armed or normal operation 1 Triggered or debug mode
15-0	Task Blocked	Task Blocked. Each bit corresponds to one of the 16 task numbers. The value of the register bit reflects the debug state of the task number. A bit is cleared by writing a 1 to that bit location; writing a 0 has no effect. At system reset, all bits are initialized to logic zero. 0 Unblocked or normal operation 1 Blocked, task has been blocked due to a breakpoint

23.3.3.16 PTD Debug Registers

The PTD Debug register allows access to internal read-only PTD status registers. A different internal status register can be viewed by writing to the register. That register will stay selected until a different value is

written to this location (MBAR+0x8080), and the next time this address is read, the corresponding register will be driven.

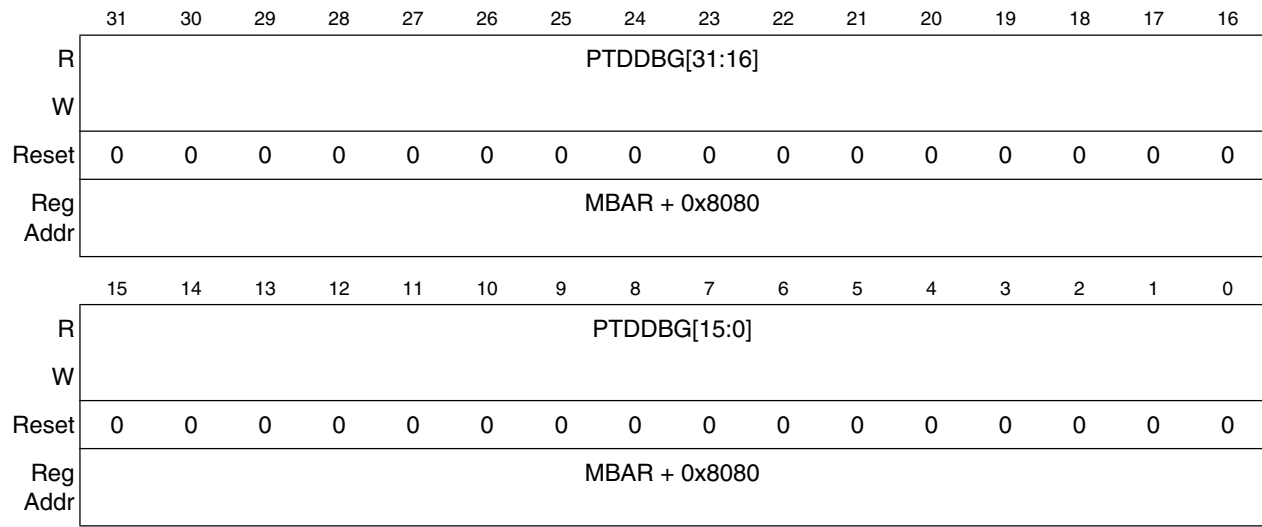


Figure 23-19. PTD Debug Register (PTDDBG)

Table 23-17. PTD Debug Register Descriptions

Value Written	Reg Name	Description
0	Request	PTDDBG[31:0] reflects the current status of the 31 initiators described in the Initiator Mux Control Register (IMCR).
1	regInitiator	PTDDBG[15:0] reflects whether the corresponding task is valid and the current initiator for that task is asserted.
2	taskValid	PTDDBG[15:0] reflects the state of the V bit (initiator is valid) in each of the Task Control Registers (TCRs).
3	hold	PTDDBG[15:0] reflects the state of the HLD bit in the priority registers for the corresponding task.
4	taskEnable	PTDDBG[15:0] reflects the state of the EN (task enable) bit in each of the Task Control Registers (TCRs).
5	taskRun	PTDDBG[15:0] reflects whether the corresponding task is enabled, valid and not blocked by the debug module.
6	dbgTaskBlock	PTDDBG[15:0] reflects the state of the Task Blocked field of the Debug Status register (DBGSTAT).
7	alwaysInIt	PTDDBG[15:0] reflects the state of the ALWINIT bit in each of the Task Control Registers (TCRs).
8	taskStart	PTDDBG[15:0] reflects the state of the Auto-start (ASTRT) bit in each task's control register (TCR).

23.3.4 External Request Module Registers

The following section shows the registers contained within the multichannel DMA external request module. Details are given regarding register mapping, programming notes, bit definitions, and operating modes.

23.3.4.1 External Request Module Register Map

The following table shows the register mapping of the external request module.

Figure 23-20. External Request Module Register Mapping

Address (MBAR +)		Name	Byte0	Byte1	Byte2	Byte3	Access
0x0D00	Initiator 1	Base Address Register 0	EREQBAR0				R/W
0x0D04		Base Address Mask Register 0	EREQMASK0				R/W
0x0D08		Control Reg 0	EREQCTRL0				R/W
0x0D0C		Reserved					
0x0D10	Initiator 2	Base Address Register 1	EREQBAR1				R/W
0x0D14		Base Address Mask Register 1	EREQMASK0				R/W
0x0D18		Control Reg 1	EREQCTRL1				R/W
0x0D1C		Reserved					

Because each channel contains the same set of registers, only one set of registers will be defined.

23.3.4.2 External Request Base Address Register (EREQBAR)

After DREQ is asserted, this register contains an address value used for the compare that determines a hit for the external acknowledge signal, DACK. This address value can be valid for comm bus cycles, system SRAM, external memory, or comm bus peripherals. This register can be read or written at any time. The reset state of this register is set to all zeros.

	31	30	29	28	27	26	25	24	23	22	21	20	19	18	17	16	15	14	13	12	11	10	9	8	7	6	5	4	3	2	1	0	
R	BASE ADDRESS																																
W																																	
Reset	0	0	0	0	0	0	0	0	0	0	0	0	0	0	0	0	0	0	0	0	0	0	0	0	0	0	0	0	0	0	0	0	0
Reg Addr	MBAR + 0x0D00 (EREQBAR0); 0x0D10 (EREQBAR1)																																

Figure 23-21. External Request Base Address Register

23.3.4.3 External Request Address Mask Register (EREQMASK)

This register contains an address mask value used for the compare that determines a hit for the external acknowledge signal. A 0 indicates a compare and a 1 is a do not care. This address mask value can be valid

for comm bus cycles, system SRAM, external memory, or comm bus peripherals. This register can be read or written at any time. The reset state of this register is set to all zeros.

	31	30	29	28	27	26	25	24	23	22	21	20	19	18	17	16	15	14	13	12	11	10	9	8	7	6	5	4	3	2	1	0		
R	ADDRESS MASK																																	
W																																		
Reset	0	0	0	0	0	0	0	0	0	0	0	0	0	0	0	0	0	0	0	0	0	0	0	0	0	0	0	0	0	0	0	0	0	0
Reg Addr	MBAR + 0x0D04 (EREQMASK0); 0x0D14 (EREQMASK1)																																	

Figure 23-22. External Request Address Mask Register (EREQMASK)

23.3.4.4 External Request Control Register (EREQCTRL)

This register contains the control information for the external request (\overline{DREQ}) and external acknowledge (\overline{DACK}) signals. This register can be read or written at any time. The reset state of this register is set to all zeros.

	31	30	29	28	27	26	25	24	23	22	21	20	19	18	17	16
R	0	0	0	0	0	0	0	0	0	0	0	0	0	0	0	0
W																
Reset	0	0	0	0	0	0	0	0	0	0	0	0	0	0	0	0
Reg Addr	MBAR + 0x0D08 (EREQCTRL0); 0x0D18 (EREQCTRL1)															

	15	14	13	12	11	10	9	8	7	6	5	4	3	2	1	0	
R	0	0	0	0	0	0	0	0	MD	BSEL	DACKWID	SYNC	EN				
W																	
Reset	0	0	0	0	0	0	0	0	0	0	0	0	0	0	0	0	
Reg Addr	MBAR + 0x0D08 (EREQCTRL0); 0x0D18 (EREQCTRL1)																

Figure 23-23. External Request Control Register (EREQCTRL)

Table 23-18. EREQCTRL Field Descriptions

Bits	Name	Description
31–8	—	Reserved, should be cleared.
7–6	MD	Mode. This field set the mode of operation of the external request input. This bits are reset to zero. 00 Idle 01 Level Request 10 Edge Request 11 Piped Request

Table 23-18. EREQCTRL Field Descriptions (Continued)

Bits	Name	Description
5–4	BSEL	Bus Select. This field selects which of the internal buses to make the compare against. These bits are reset to zero. 00 System SRAM or external memory write 01 System SRAM or external memory read 10 Internal peripheral write 11 Internal peripheral read
3–2	DACKWID	External DMA Acknowledge Width. This field selects the width of the output acknowledge pulse. The width control is only used in the level and edge request modes. These bits are reset to zero. 00 One clock 01 Two clocks 10 Three clocks 11 Four clocks
1	SYNC	Sync. This bit selects the type of timing used by the external request input signal. This control bit is only used in the level and edge request modes. The piped request mode is always synchronous. This bit is reset to zero. 0 Asynchronous input timing 1 Synchronous input timing
0	EN	Enable. This bit enables the external request/acknowledge function. This bit is reset to zero. 0 Disabled 1 Enabled

23.4 Functional Description

The DMA controller processes microcode tasks that are stored in memory. A task is a sequence of instructions, referred to as *descriptors*, that specifies a series of data movements or manipulations. The DMA controller steps through the descriptors and executes the specified function in a similar fashion to a CPU executing a program. The data flow for each task can be controlled through signals called initiators (or requestors) which can be asserted by peripherals, timers, or off-chip devices. While data is being transferred, it may be manipulated to offload processing from the CPU. Since the DMA controller can only execute one task at a time, there are priority mechanisms which allow software to control what tasks are more important to execute when multiple tasks are ready. Interrupts can be generated at various points or not at all, which is determined by the task descriptors.

The following sections describe various aspects of the operation of the multichannel DMA.

23.4.1 Tasks

A task or task descriptor table is a microcode program that embodies a desired function. An example could be to gather an Ethernet frame, store it in memory, and interrupt the processor when done. The multichannel DMA supports 16 simultaneously enabled tasks (one task per channel). By dynamically swapping task pointers in the task table, an unlimited number of tasks can be supported.

The details of creating task code is beyond the scope of this document. An API containing pregenerated task code is provided and described in the “Multichannel DMA API User’s Guide”.

23.4.2 Descriptors

The DMA controller interprets a series of descriptors that specifies a sequence of data movements and manipulations. A collection of these descriptors is much like a program. The two types of descriptors are loop control descriptors (LCDs) and data routing descriptors (DRDs). These descriptors allow a “for” loop programming style for the master DMA engine (MDE). The LCDs specify the index variables (memory pointers, byte counters, etc.) along with the termination and increment values, while the DRDs specify the nature of the operation to perform. The MDE allows up to seven levels of nested loops.

The MDE models the following features familiar from most programming languages:

- “For” loops
- Source variables
- Loop-index variables
- Pointers for various uses
- Address offsets for access to structure members
- Multiplication, addition, and logic functions on data

The flexibility of these descriptors allows coding of a broad range of applications, including the following:

- Simple transfers from peripheral to memory, memory to peripheral, or memory to memory
- Computation of checksums, including CRC and internet checksum, while transferring data
- Scatter-gather processing via the indirection capability

23.4.3 Task Initialization

When a task is first enabled, it has a temporary priority which is determined by the state of the High-priority Task Enable bit of the task’s Task Control register. If that bit is high, then any currently running task will be swapped out and the MDE will begin parsing the task descriptor table of the task which has just been enabled. Descriptors are parsed up to the first data routing descriptor (DRD). At that point, the MDE uses the priority level of the task to determine if it will continue running the task which has just been enabled or if it will swap in a higher priority task. When using initiator priority, a task has the priority of the initiator on which it is waiting, which is determined by the current DRD it is executing. Since tasks can be comprised of many different DRDs, the priority of a task can change throughout the task when using initiator priority. When using task priority, the task has the priority assigned to it in the priority register throughout the execution of the task.

23.4.4 Initiators

The multichannel DMA responds to requests from a number of sources, called “initiators.” Many initiators are derived from FIFO threshold levels to indicate a presence of received data or an empty or near-empty transmitter.

Other initiators can be timer outputs or custom coprocessors such as the SEC. A timer used as an initiator can provide bandwidth control for memory-to-memory transfers. A coprocessor initiator could indicate the completion of some algorithmic processing, whereupon data could be read from the coprocessor. See the description of the Initiator Mux Control Register for a more complete description of available initiators.

23.4.5 Prioritization

The multichannel DMA has two basic prioritization schemes to decide which task should run when more than one is enabled and its initiator is asserted. These are initiator priority and task priority.

When in initiator priority mode, the task with the highest priority active initiator is selected for execution. There are eight priority levels (0-7). As described, each initiator is associated with a specific task number (0-15), and that task is executed until the initiator is negated or the loop completes. A task can be interrupted by a higher priority initiator at loop iteration boundaries and between DRDs.

When in task priority mode, the task with the highest task level priority and an active initiator is selected for execution. There are eight priority levels (0-7). The highest priority task is executed until the initiator is negated or the loop completes. A task can be interrupted by a higher priority task at loop iteration boundaries and between DRDs.

If there are multiple tasks with the same priority level, the highest numbered task is selected for execution.

The priority mode is selected by bit 15 of the PTD Control register. When set to a logic zero, initiator priority is selected. When set to a logic one, task priority is selected. This bit is set to a logic zero by reset.

23.4.6 Context Switch

Before execution of each DRD, the priority of the active task is compared with other active initiators. If the active task is still the highest priority, it remains active. Otherwise, it is “swapped out” (context save), and the task associated with the highest priority initiator is “swapped in” (context restore).

23.4.7 Data Movement

By the time a data routing descriptor has been parsed, between several and all of the memory pointers and byte counters have been established by the preceding LCDs. When parsing is complete, the MDE begins acting much like a conventional DMA engine, except that the multichannel DMA can support many data movements per iteration. It fetches operands and performs operations in the order specified by the DRDs. Only one memory write per DRD is allowed, but multiple DRDs may be programmed within an LCD. Data sources or destinations can reside in any addressable storage, including:

- Peripheral FIFOs (comm bus)
- System SRAM
- XL bus space, which provides a path to any external resources including DRAM.
- External memory

NOTE

The DMA cannot access the processor local SRAM.

The data movement engine, or address/data sequencer (ADS, described in [Section 23.1.2.2, “Address and Data Sequencer \(ADS\),”](#)) has an internal register structure that allows it to execute up to four simple nested loops without any descriptor parsing intervention. This facilitates high performance processing of algorithms that have small loop counts, but are highly nested, such as image processing filters.

23.4.8 Data Manipulation

The multichannel DMA contains an execution unit, the LURC, which can be used to manipulate data while it is being transferred. It can be used while transferring I/O data and also to perform logical operations that allow for decision making within task code. The operation codes for the execution units are stored in the function descriptor table. Each data routing descriptor can use the contents of the function descriptor table to perform different operations.

The LURC is programmed to perform its operations on 32-bit operands. The operations can be categorized into four types: two-operand checksum/CRC operations, two-operand boolean operations, two-operand

addition and subtraction, and manipulation/shift operations. The LURC supports multiple operations (up to five operations) as a single user-programmable function depending on the operations being performed.

23.4.8.1 LURC Features

This section is intended to outline several of the key features of the LURC. The features include the following:

- Support for CRC-16, CRC-CCITT, CRC-32, internet checksum on 8-, 16-, 24-, and 32-bit data in multiple input data formats
- Support for 32-bit adds and subtracts
- Support for arbitrary binary operations
- Support for logical shift left, signed shift right, and full bit reversal
- Ability to efficiently perform endian conversion
- Support for a single constant to be used in any operand field
- Ability to perform up to five operations in a single function descriptor

The checksum engine provides the ability to compute checksums of data on which the DMA is operating. In addition to the checksum capabilities, the checksum engine is able to provide several simple and fast arithmetic operations. The module operates transparently in the sense that data can be piped through the checksum engine without affecting the data movement. Details on using the CRC generator are contained in an appendix later in this document.

Presently, the three CRC polynomials that the checksum engine supports are a one's complement checksum and two arithmetic operations.

- CRC-16: $X^{16}+X^{15}+X^2+1$
- CRC-CCITT: $X^{16}+X^{12}+X^5+1$
- CRC-32: $X^{32}+X^{26}+X^{23}+X^{22}+X^{16}+X^{12}+X^{11}+X^{10}+X^8+X^7+X^5+X^4+X^2+X+1$

Internet checksum: The one's complement of the 16-bit sum.

- 32-bit addition (unsigned): Operand0 + Operand1.
- 32-bit subtraction (unsigned): Operand0 - Operand1.

Both CRC-16 and CCRC-CCITT are used for 8-bit transmission streams and both result in a 16-bit checksum. Both 16-bit CRCs are widely used in the USA and Europe, respectively, and give adequate protection for most applications. Applications that need extra protection can make use of the CRC-32 which generates a 32-bit checksum. The CRC-32 is used by the local area network standards committee (IEEE-802) and in some DOD applications. The internet checksum is used in several internet protocols including TCP and IP and provides a 16-bit checksum (less robust than the 16-bit CRCs) which can be used for error detection. The arithmetic operations are available to provide fast and simple calculations where overflow and other operation protection is not required.

In some cases, a communication protocol may calculate a checksum on an individual packet basis. The Ethernet module is such an example. For these cases, it is most efficient to use the CRC in the communication module. The DMA's checksum engine is targeted toward computing higher-level protocol checksums, such as those at the TCP or IP layers.

23.4.9 Line Buffers

The multichannel DMA makes use of line buffers in its interface to the XL bus to combine writes and to prefetch reads to increase performance. Each line buffer is 32 bytes in depth.

The buffer interface has two queues, one for prefetched reads, and another for collecting writes. There are two line buffers in the write queue. Each buffer keeps byte validity, and has a tag address valid on the line boundary. There are four read line buffers. Each of these buffers has a line address and keeps longword validity. The default behavior of this interface during data transfer is governed by settings in the task table, the combine write enable bit (CW) and the read line enable bit (RL). When the MDE is fetching task code, it functions as if the read line enable bit is asserted even if it is not. It will also combine writes when appropriate.

23.4.9.1 Combine Write Enable

The assertion of this bit turns on the capability to collect writes into a line buffer. When asserted, all writes to the same line address will be written into a line buffer until

1. a write to a different line address is encountered,
2. the buffer is instructed to flush,
3. a write occurs to a byte that is already valid in the line buffer, or
4. the combine write enable bit is deasserted.

If any of these four events occurs, the current line buffer will be “flushed.” The contents of the buffer will be partitioned into the largest possible transfer sizes and then written one by one.

The DMA will instruct the line buffers to flush (case 2 above) when asserting an interrupt, switching tasks, completing a task, or after saving context even if there is not an immediate task switch.

When the combine write enable signal is not asserted, the first write data will post into one of the write queue buffers and the buffer will be tagged as “busy.” Assuming there is no pending read transaction on the XL bus, an XL bus write transaction will be immediately initiated using the data in the write queue. When the write transaction on the XL bus is complete, the busy tag will be removed from the write queue buffer. During the time that the first write queue buffer is busy, no more writes can be posted to that buffer. However, a subsequent write can be posted to the second write queue buffer after which that buffer will be tagged as busy. While both write queue buffers are busy, all write requests from the DMA will incur wait states.

23.4.9.2 Read Line Enable

The assertion of this bit turns on the capability to prefetch read accesses by fetching an entire line of data for each read access. Once the data has been prefetched, subsequent accesses to data in the same line address as the first read will be acknowledged with data from the prefetch buffer.

23.4.9.3 Speculative Prefetch

The assertion of the SP bit in tandem with the assertion of the RL bit results in speculative reads on the XL bus to fill all four read queue buffers. A speculative read transaction will be initiated when there is no other pending XL read/write requests and the DMA is reading from an address that is already buffered in the read queue. If the RL bit is not asserted for the task, the SP bit has no effect.

23.4.10 Termination of Loop

While executing an inner loop, there are two ways to terminate that loop:

1. Loop-termination conditions have been met. A loop is allowed one termination condition. For example, this could be a byte count for a number of taps in a filter application.
2. The FIFO indicates the end of a full “packet” of information. This response could come from intelligent peripherals which can recognize frame boundaries in a supported protocol, such as an Ethernet controller. In these cases, the programmer may not know how many bytes will arrive, so the “Done” indicator from the peripheral terminates the transfer. A byte counter variable can indicate the actual number of bytes received.

When a loop terminates (and assuming the initiator is valid), the ADS proceeds to execute any remaining DRDs that have already been parsed, such as the case where the inner loop is nested inside another loop. When execution completes, the MDE proceeds to parse any remaining descriptors in the task. If the appropriate initiator for the next DRD is not asserted, the MDE will perform a context save, followed by a context restore or parse of the new highest-priority task

In addition to loop termination, transfer of data can be suspended if the initiator deasserts or if a higher priority task needs to be swapped into execution.

23.4.11 Interrupts

Interrupts to the processor are allowed on a per-LCD basis, so the processor may be interrupted at the completion of a loop, or at the end of a task, or not at all. Interrupts may also be masked while allowing the processor to execute a polling routine.

23.4.12 Debug Unit

The debug module allows software to halt DMA execution based on a several different input conditions. It compares the value of the Debug Comparator registers to various current aspects of the DMA such as the address being written, the address being read, the task number, the current pointer and so on. What the debug module compares the value in the Debug Comparator registers with is dependent on the value of the Debug Control register. If one of the conditions is met, the debug module will halt the DMA.

23.5 Programming Model

The multichannel DMA requires registers and task memory to be initialized before it will operate.

23.5.1 Register Initialization

This section describes which registers need to be initialized either during system configuration time or potentially each time a task is executed.

1. TaskBAR - The first step in preparing the multichannel DMA is instantiating the task table in a location in modifiable memory. This table is pointed to by the task base address register (TaskBAR). This table will be used by the MDE to locate the microcode for each specific task. This will typically only be set during initialization.
2. PTD Control register - The PTD control register defines global operation options of the DMA, those which apply to all tasks. This will typically only be set during initialization.
3. DMA Interrupt Mask register

4. Priority registers - These will typically only be set during initialization, but can be changed during operation if desired.
5. Initiator Mux Control register - This will typically be set up during configuration and will be dependent on what modules of the chip which the system is using.
6. Task Size registers - The Task Size registers may or may not need to be initialized. These registers may not be used by a task if the task has hardcoded what transfer sizes to use in its DRDs. If the task will use the same task descriptor table every time it is enabled, then these registers may only need to be initialized once. If a different task descriptor is used, these registers may need to be set before each time the task is enabled.
7. Task Control registers - These registers must be programmed to enable the task.

23.5.2 Task Memory

DMA task memory is comprised of the task table, task descriptor tables, variable tables, function descriptor tables and context save spaces. These memory areas are described briefly in Section 23.3.1, “DMA Task Memory”. Each of these areas must be set up in user provided memory such as the internal system SRAM or DRAM. The task table is programmed with information which allows the DMA to locate these areas of memory and also with control information for each task.

This process can be handled by using the software API . Please refer to the “Multichannel DMA API User’s Guide” for more information on the API interface used for the MCF547X family.

The microcode can be executed from various memory areas accessible by the DMA such as SDRAM, memory on the FlexBus, or the internal SRAM. It is recommended that the DMA task memory be located in SRAM because of improved performance.

The major components of the task table are described in the next section.

23.5.2.1 Task Table

The task table, whose format is shown in [Figure 23-24](#), should reside at the address specified by TaskBAR. The task table base address must be aligned to a 512-byte boundary. There are sixteen tasks, each of which has its own unique task descriptor table (TDT) start pointer, TDT end pointer, variable table pointer, control information, and status information. The TDT start pointer is a 32-bit value that points to the first loop control descriptor, or LCD, of that particular task. The remaining descriptors [both LCDs and data routing descriptors (DRDs)] should consecutively follow the first one in memory, except in special branching cases. The TDT end pointer is a 32-bit value that points to the last descriptor, which must be a DRD, of that particular task.

The 32-bit variable table pointer points to the top of the 48-longword (192-byte) memory space where this task’s variable table resides. As previously mentioned, this table may be reduced to 128 bytes if none of the last 16 variables are used. Before executing a particular task, that task’s variable table must be initialized with the appropriate data.

The function descriptor base address points to the location of the function descriptors used for the various execution units (EUs). For each EU, there are 16 available function descriptors. The function descriptor base address pointer is only 24 bits, which function as the 24 most significant bits of a 32 bit address. Therefore, the function descriptor table must be aligned on a 256-byte boundary.

The control information for each task is located in the fourth longword of the task table as shown in [Figure 23-24](#). Control bits 7 through 0 are for precise increment, save all registers, integer mode, speculative prefetch, read line, and combine writes.

The base address for context save space is used to save variables and values being used by the MDE and ADS. For each task, an area needs to be set aside for all relevant data to be saved until the task is called again.

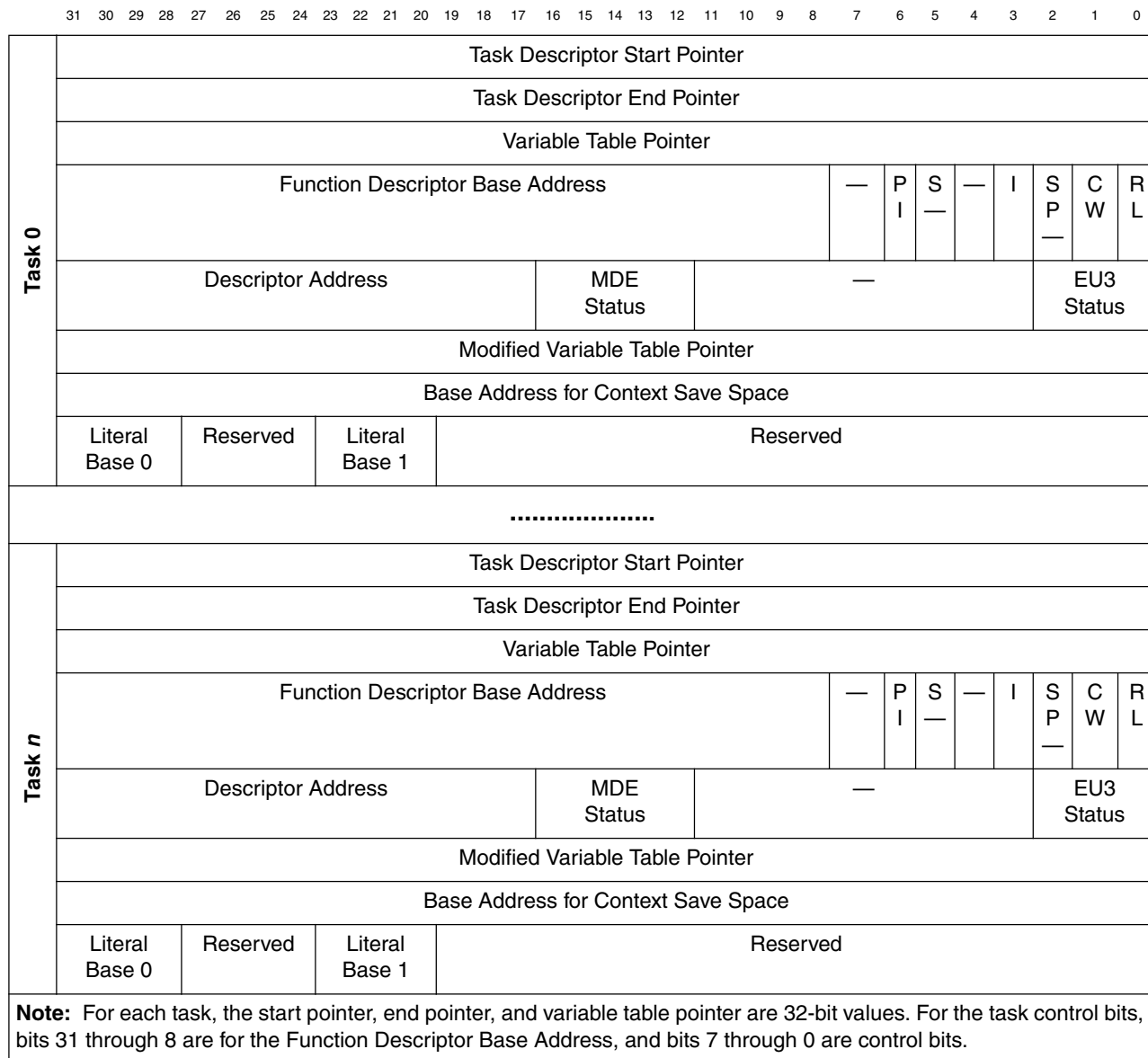


Figure 23-24. Task Descriptor Table Format

Table 23-19. Behavior of Task Table Control Bits

Bit	Name	Function
7	—	Reserved
6	PI	Precise Increment 0 Increments are allowed at any time the ADS can do it 1 Only increment at the end of an iteration
5	S	Save all internal registers 0 Save only those internal registers currently used when doing a context save 1 Save all internal registers when doing a context save
4	—	Reserved
3	I	Integer Mode 0 Fractional data representation 1 Integer data representation
2	SP	Speculative Prefetch 0 Do not enable speculative prefetch 1 Enable speculative prefetch
1	CW	Combined Write Enable 0 Do not enable combined writes 1 Enable combined writes
0	RL	Read Line Buffer Enable 0 Do not enable line reads 1 Enable line reads

23.6 Timing Diagrams

The following timing diagrams show the three modes of external request operation.

23.6.1 Level-Triggered Requests

Figure 23-25 shows the timing for level-triggered external requests. For level-triggered requests, the internal DMA request will assert when $\overline{\text{DREQ}}$ is detected low. The active high internal DMA request is asserted on the rising edge of clock 2 after $\overline{\text{DREQ}}$ is detected low. When the DMA transfer completes, the active high internal acknowledge is asserted (clock 4). This causes the external $\overline{\text{DACK}}$ to assert, and the internal DMA request is negated. Since $\overline{\text{DREQ}}$ remains asserted an new internal request is signalled on the rising edge of clock 6.

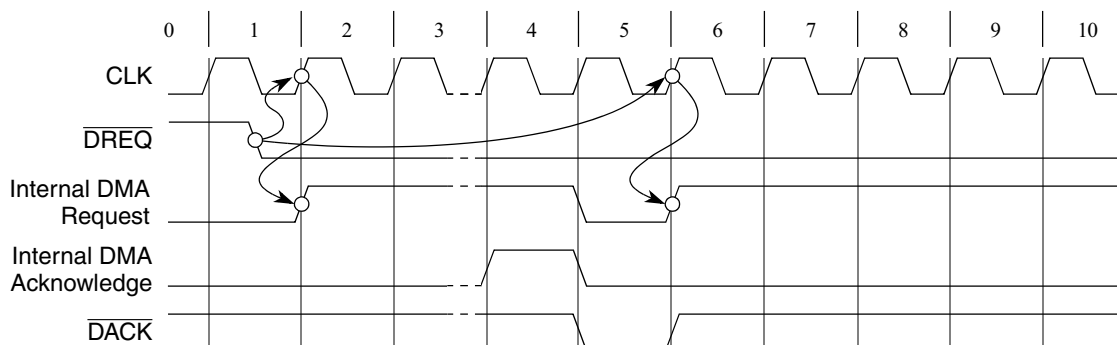


Figure 23-25. Level-Triggered External Request Timing

23.6.2 Edge-Triggered Requests

Figure 23-26 shows the timing for level-triggered external requests. For level-triggered requests, the internal DMA request will assert when there is a falling edge of the $\overline{\text{DREQ}}$ signal. The active high internal DMA request is asserted on the rising edge of clock 2 after the falling edge of $\overline{\text{DREQ}}$. When the DMA transfer completes, the active high internal acknowledge is asserted (clock 4). This causes the external $\overline{\text{DACK}}$ to assert (clock 5). The next falling edge of $\overline{\text{DREQ}}$ occurs during clock 8, causing the internal request to assert on the rising edge of clock 9.

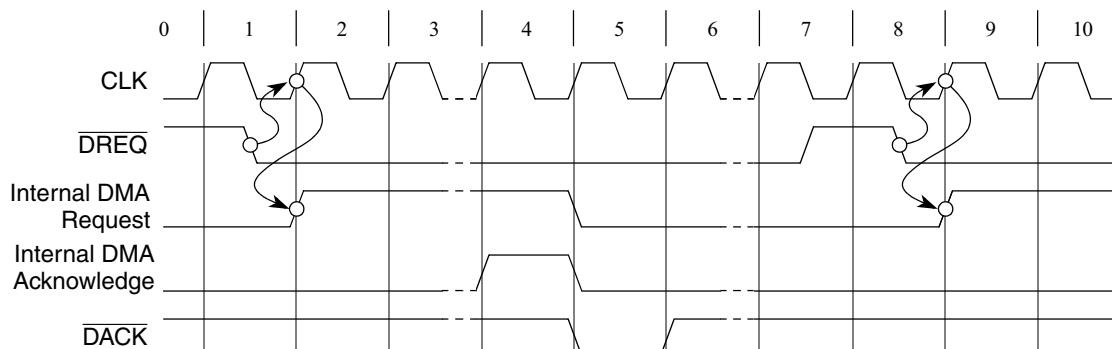


Figure 23-26. Edge-Triggered External Request Timing

23.6.3 Pipelined Requests

Figure 23-27 shows the timing for pipelined external requests. For pipelined requests, the internal DMA request will assert when there is a falling edge of the $\overline{\text{DREQ}}$ signal and the previous transfer has been completed ($\overline{\text{DACK}}$ low). $\overline{\text{DREQ}}$ goes low during clock 1. In edge-triggered mode, this would cause the internal request to assert on the rising edge of clock 2. However, in pipelined mode the internal request waits for the previous transfer to be acknowledged (clock 2) before the internal request is asserted on the rising edge of clock 3. The transfer is completed and acknowledge internally during clock 5 causing $\overline{\text{DACK}}$ to assert during clock 6. Since the transfer has already been acknowledged, the next falling edge of $\overline{\text{DREQ}}$ (during clock 7) causes the assertion of the internal request of the following rising clock edge (clock 8). Note that $\overline{\text{DACK}}$ is not deasserted until the new internal request asserts.

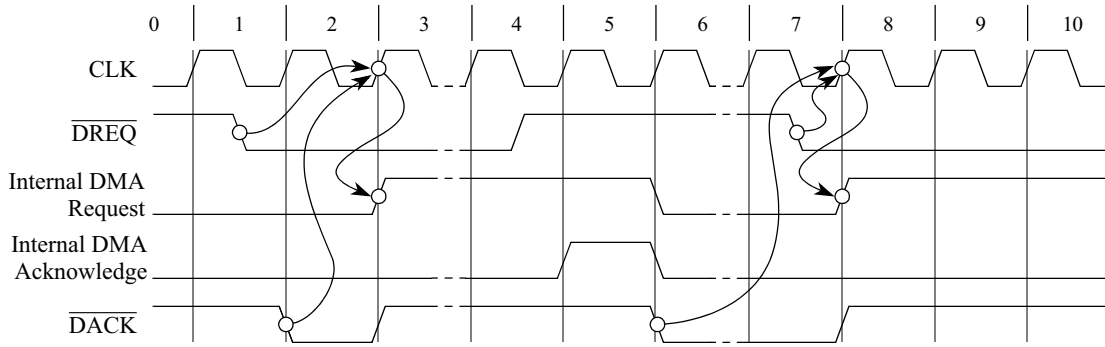


Figure 23-27. Pipelined External Requests

Chapter 24

Comm Timer Module (CTM)

24.1 Introduction

This chapter contains a detailed description of the Comm Timer Module (CTM).

24.1.1 Block Diagrams

The following section presents three block diagrams showing the CTM in greater detail. [Figure 24-1](#) is a high level block diagram of the CTM. The figure shows the signal flow through the sub-modules and the architecture on a high level.

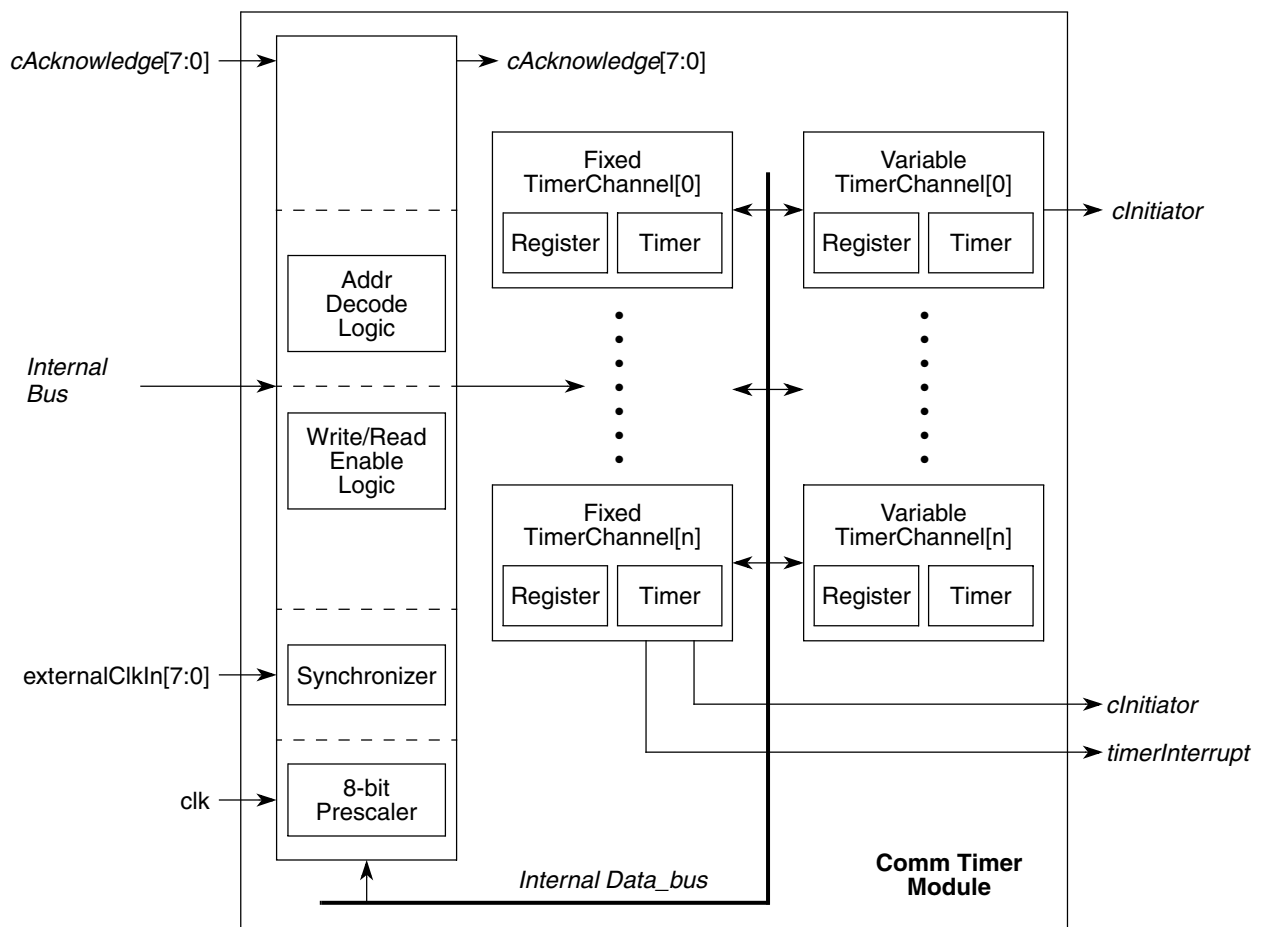


Figure 24-1. CTM High Level Block Diagram

[Figure 24-2](#) and [Figure 24-3](#) are conceptual block diagrams of the fixed timer channel and variable timer channel respectively. These diagrams are more detailed than earlier diagrams but should still be considered a conceptual illustration of the actual hardware implementations.

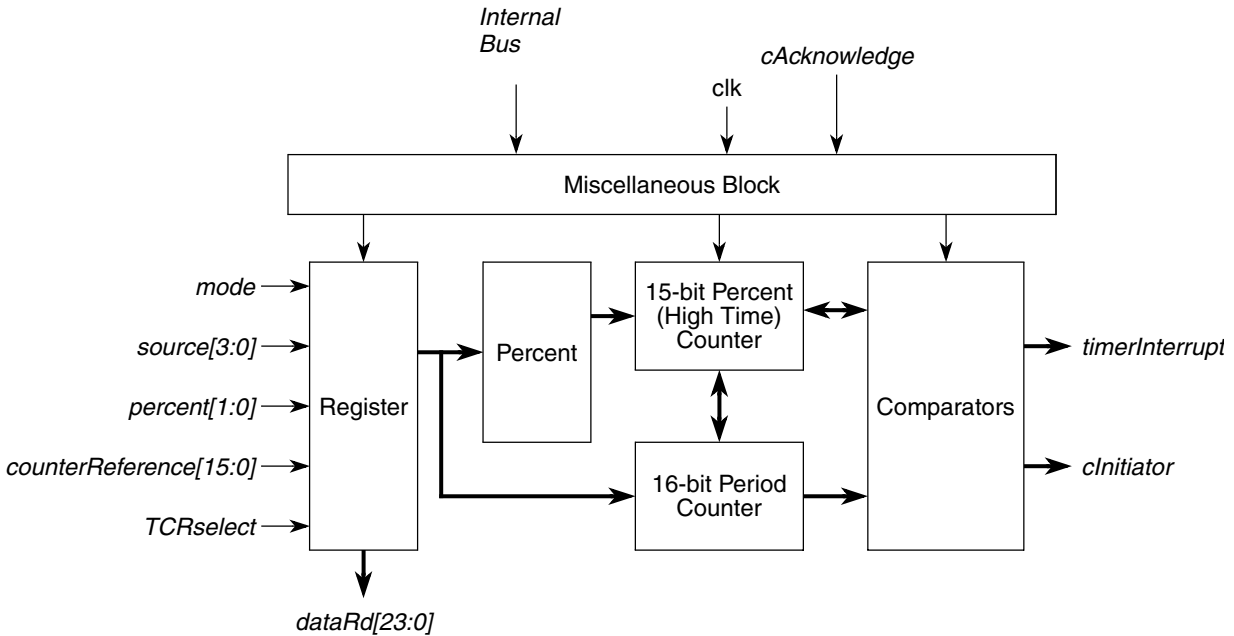


Figure 24-2. Fixed Timer Channel Conceptual Block Diagram

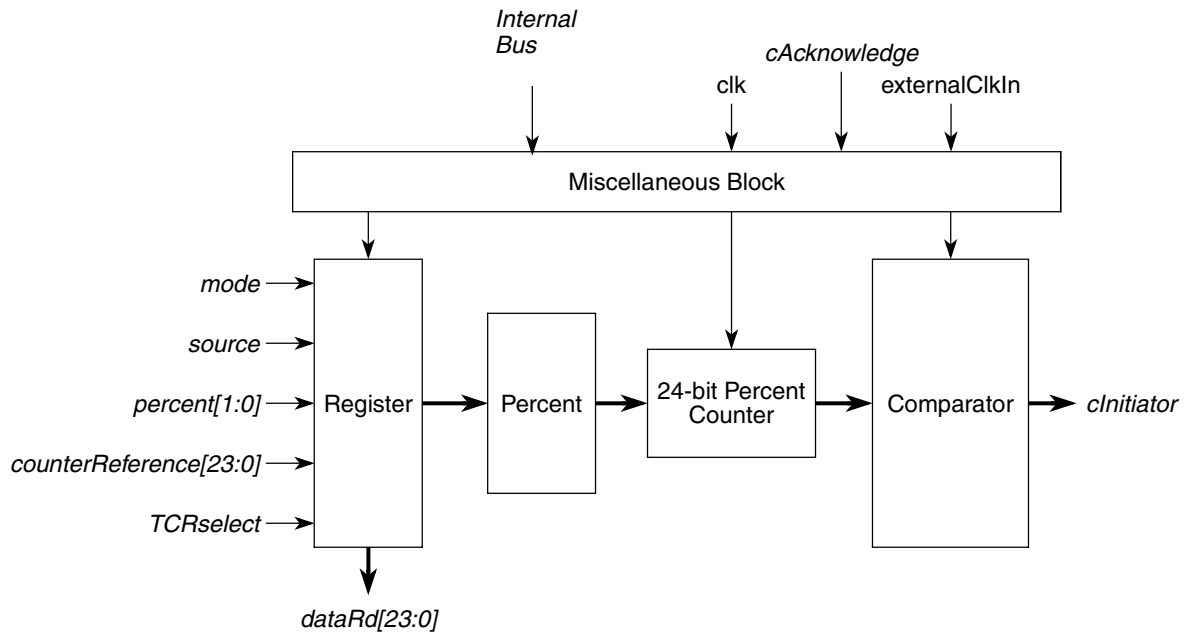


Figure 24-3. Variable Timer Channel Conceptual Block Diagram

24.1.2 Overview

The CTM module provides two functions for the communications complex. First, it can be configured to run as a baud clock generator for the communications channels. Second, it can be used as a task initiator

for the DMA. There are three main functional blocks within the CTM that accomplish these functions: the slave bus interface, the fixed timer channel, and the variable timer channel.

The slave bus interface to the CTM processes tasks such as the address decode, clock synchronization, clock pre-scaling, and read/write enable decode.

The fixed timer channel provides the user with two modes, a programmable baud clock generator mode or a fixed period task initiator mode.

- In baud clock generator mode the fixed timer channel outputs a *cInitiator* signal that is free running.
- In fixed period task initiator mode the fixed timer channel outputs a *cInitiator* signal in response to a *cAcknowledge* input from the multichannel DMA's PTD (priority task decode). It also outputs a *timerInterrupt* signal to the processor if there is an error in the channel. In the current implementation there are four fixed timer channels available.

The variable timer channel provides the user with the programmable baud clock generator mode or a variable period task initiator mode.

- In baud clock generator mode the *cInitiator* output is free running.
- In variable period task initiator mode, the *cInitiator* output is influenced by the *cAcknowledge* signal. Unlike the fixed timer channel, the variable timer channel does not have a *timerInterrupt* output signal due to the variability of the period. In the current implementation there are four variable channels available.

24.2 Memory Map/Register Definition

Section 24.2.2.1, “Comm Timer Configuration Register (CTCRn)— Fixed Timer Channel” and Section 24.2.2.2, “Comm Timer Configuration Register (CTCRn)— Variable Timer Channel” explain the registers contained within the timer module. Details are given regarding register mapping, programming notes, bit definitions, and operating modes.

24.2.1 Timer Module Register Map

Table 24-1 shows the register mapping of the timer module.

Table 24-1. Timer Register Mapping

Offset (MBAR +)	Name	Byte 0	Byte 1	Byte 2	Byte 3	Access
0x7F00	Comm Timer Control Register 0 —Fixed Timer Channel	CTCR0				R/W
0x7F04	Comm Timer Control Register 1 —Fixed Timer Channel	CTCR1				R/W
0x7F08	Comm Timer Control Register 2 —Fixed Timer Channel	CTCR2				R/W
0x7F0C	Comm Timer Control Register 3 —Fixed Timer Channel	CTCR3				R/W

Table 24-1. Timer Register Mapping (Continued)

Offset (MBAR +)	Name	Byte 0	Byte 1	Byte 2	Byte 3	Access
0x7F10	Comm Timer Control Register 4 —Variable Timer Channel	CTCR4				R/W
0x7F14	Comm Timer Control Register 5 —Variable Timer Channel	CTCR5				R/W
0x7F18	Comm Timer Control Register 6 —Variable Timer Channel	CTCR6				R/W
0x7F1C	Comm Timer Control Register 7 —Variable Timer Channel	CTCR7				R/W

24.2.2 Register Descriptions

24.2.2.1 Comm Timer Configuration Register (CTCR n)—Fixed Timer Channel

	31	30	29	28	27	26	25	24	23	22	21	20	19	18	17	16
R	I	0	0	0	0	0	0	IM	M	PCT			S			
W	[Shaded]															
Reset	0	0	0	0	0	0	0	1	1	1	0	1	0	0	0	0
Reg Addr	MBAR + 0x7F00 (CTCR0); + 0x7F04 (CTCR1); + 0x7F08 (CTCR2); + 0x7F0C (CTCR3)															
	15	14	13	12	11	10	9	8	7	6	5	4	3	2	1	0
R	CRV															
W																
Reset	1	1	1	1	1	1	1	1	1	1	1	1	1	1	1	1
Reg Addr	MBAR + 0x7F00 (CTCR0); + 0x7F04 (CTCR1); + 0x7F08 (CTCR2); + 0x7F0C (CTCR3)															

Figure 24-4. Comm Timer Configuration Register (CTCR n)—Fixed Timer Channel

This register provides programming options for each fixed timer channel. These channels can be programmed to be in initiator mode or in baud clock generator mode.

Table 24-2. CTCRn—Fixed Timer Channel Field Descriptions

Bits	Name	Description
31	I	Interrupt. This bit is set whenever the <i>timerInterrupt</i> signal asserts in the fixed timer. This indicates that the <i>cAcknowledge</i> signal has arrived too far into the current cycle to be completed within that period or that it was too short in duration to satisfy the request. Writing a 1 will clear the bit. 0 Indicates that no interrupt has occurred or is pending. 1 Indicates that an interrupt has occurred or is pending.
30–25	—	Reserved, should be cleared.
24	IM	Interrupt mask. Determines if the timer interrupt will be passed on to the interrupt controller. 0 The timer interrupt is not masked. When the I bit is set, the timer interrupt will be passed to the interrupt controller. 1 The timer interrupt is masked. The I bit will be set, but no interrupt occurs.
23	M	Mode. Selects between baud clock generator mode and task initiator mode. It is set to 1 at reset. 0 Baud clock generator. In this mode, the timer output is a free running clock. Following initialization, both timer channels react in the same way. 1 Task initiator mode. In this mode, the timer output is a bandwidth <i>controlled initiator</i> request signal for the multichannel DMA. The <i>initiator</i> output is dependent upon the <i>cAcknowledge</i> signal from the DMA. In the fixed timer channels, the percent active time is only counted while the <i>cAcknowledge</i> is asserted. In contrast, the variable timer channels will count the percent active time from beginning to end upon the first assertion of the <i>cAcknowledge</i> .
22–20	PCT	Percent active time select. Selects the percent of the period that the <i>cInitiator</i> signal is asserted after the <i>cAcknowledge</i> signal is received. They are set to 101 at reset. 000 100 percent 001 50 percent 010 25 percent 011 12.5 percent 100 6.25 percent 101 OFF 110–111 Reserved
19–16	S	Clock enable source select. Selects the clock rate for the fixed timer channels. The clock rate for the timer is the internal system clock divided by an 8-bit prescaler. 0000 Sysclk/1 0001 Sysclk/2 0010 Sysclk/4 0011 Sysclk/8 0100 Sysclk/16 0101 Sysclk/32 0110 Sysclk/64 0111 Sysclk/128 1000 Sysclk/256 1001 Reserved
15–0	CRV	Counter reference value. These 16 bits define the period of the timer i.e.: 0004 written into these bits signifies that the period is 4 timer clock cycles long. The counter reference value is set to 0xFFFF at reset.

24.2.2.2 Comm Timer Configuration Register (CTCR n)— Variable Timer Channel

This register provides programming options for each variable timer channel. These channels can also be programmed as a baud clock generator or initiator.

NOTE

The initiator mode is different from that of a fixed channel in that the period is variable

	31	30	29	28	27	26	25	24	23	22	21	20	19	18	17	16
R	S				M	PCT			CRV							
W																
Reset	0	0	0	0	1	1	0	1	1	1	1	1	1	1	1	1
Reg Addr	MBAR + 0x7F10 (CTCR4); + 0x7F14 (CTCR5); + 0x7F18 (CTCR6); + 0x7F1C (CTCR7)															
	15	14	13	12	11	10	9	8	7	6	5	4	3	2	1	0
R	CRV															
W																
Reset	1	1	1	1	1	1	1	1	1	1	1	1	1	1	1	1
Reg Addr	MBAR + 0x7F10 (CTCR4); + 0x7F14 (CTCR5); + 0x7F18 (CTCR6); + 0x7F1C (CTCR7)															

Figure 24-5. Comm Timer Configuration Register (CTCR n)—Variable Timer Channel

Table 24-3. CTCR_n—Variable Timer Channel Field Descriptions

Bits	Name	Description
31–28	S	Clock enable source select. Selects the clock rate for the fixed timer channels. The clock rate for the timer is the internal system clock divided by an 8-bit prescaler. 0000 Sysclk/1 0001 Sysclk/2 0010 Sysclk/4 0011 Sysclk/8 0100 Sysclk/16 0101 Sysclk/32 0110 Sysclk/64 0111 Sysclk/128 1000 Sysclk/256 1001 Reserved
27	M	Mode. This bit is used to select between baud clock generator mode and task initiator mode. It is set to one 1 at reset. 1 Task initiator mode. In this mode, the timer output is a bandwidth <i>controlled initiator</i> request signal for the multichannel DMA. The <i>initiator</i> output is dependent upon the <i>cAcknowledge</i> signal from the DMA. In the fixed timer channels, the percent active time is only counted while the <i>cAcknowledge</i> is asserted. In contrast, the variable timer channels will count the percent active time from beginning to end upon the first assertion of the <i>cAcknowledge</i> . 0 Baud Clock Generator. In this mode, the timer output is a free running clock. Following initialization, both timer channels react in the same way.
26–24	PCT	Percent active time select. Selects the percent of the period that the <i>cinitiator</i> signal is asserted after the <i>cAcknowledge</i> signal is received. They are set to 101 at reset. 000 100 percent 001 50 percent 010 25 percent 011 12.5 percent 100 6.25 percent 101 OFF 110–111 Reserved
23–0	CRV	Counter reference value. These 24 bits define the period of the timer i.e.: 0004 written into these bits signifies that the period is 4 timer clock cycles long. The counter reference value is set to 0xFF_FFFF at reset.

24.3 Functional Description

24.3.1 Variable Timer In Baud Clock Generator Mode

In baud clock generator mode, the functionality is the same for both fixed and variable timer channels. The only difference is the variable timer channel has a 24-bit reference value, and the fixed channel timer only has a 16-bit reference value.

The following equation can be used to calculate the period of the timer output:

$$\text{Time-out period} = (1/\text{CTCR}_n[\text{S}]) \times (\text{CTCR}_n[\text{CRV}])$$

The duty cycle of the output clock is defined by CTCR_n[PCT].

For example, programming the CTCR for one of the fixed channels to 0x0100_0002 will create a 50% duty cycle output clock at half of the system clock frequency.

24.3.2 Fixed Timer in Initiator Mode

In initiator mode, the fixed timer channel can be used to create a bandwidth *control initiator* request signal to the DMA. A *cAcknowledge* signal from the DMA is an input to the timer to indicate that the requested task is executing. When the *cAcknowledge* signal asserts it activates a percent timer, thereby counting the number of cycles the associated DMA task is active within the period. When the percent timer reaches its timeout, the timer's initiator output is negated so that the DMA task will not be serviced again during the remainder of the timer period.

The fixed timeout period for the counter is determined using the same calculation used for the baud rate generator mode:

$$\text{Time-out period} = (1/\text{CTCR}_n[\text{S}]) \times (\text{CTCR}_n[\text{CRV}])$$

The percent counter is used to determine the number of clocks that the *cAcknowledge* signal from the DMA can be asserted within the period before *cInitiator* is negated. Once the initiator negates, the task will stop executing when it reaches the next boundary and will not resume until after *cInitiator* is asserted again at the start of the next timer period.

The fixed timer channel can also be programmed to generate an interrupt request if the percent timer does not timeout by the end of the timer period. The interrupt indicates that there is not enough DMA bandwidth available for the associated task.

24.3.2.1 Fixed Timer in Initiator Mode Example

Figure 24-6 shows the initiator output generated by a fixed timer channel in initiator mode. For this example the CTCR is programmed to 0x00A0_0010. This puts the timer in initiator mode with a timeout period of 16 clocks and a high percentage of 25% (4 clocks).

In the first clock cycle the period counter begins to count, and the *cInitiator* signal is asserted. At the rising edge of the clock in cycle 3 the *cAcknowledge* signal is asserted for the first time and the percent counter begins to count.

At the rising edge of clock 5 the *cAcknowledge* signal is deasserted, and the percent counter stops counting and retains a value of 0x2. The *cInitiator* signal remains asserted because the percent counter has not timed out, and the period has not ended.

At the rising edge of the clock in cycle 9 the *cAcknowledge* signal is asserted for the second time, and the percent counter begins to count again. At the rising edge of the clock in cycle 10 the *cAcknowledge* signal is deasserted, and the percent counter stops counting and retains a value of 0x3. As before the *cInitiator* signal remains asserted because the percent counter has not timed out.

At the rising edge of the clock in cycle 13 the *cAcknowledge* signal is asserted for the third time, and the percent counter begins to count. At the rising edge of the clock in cycle 14 the *cAcknowledge* signal is deasserted, and the percent counter stops counting and retains a value of 0x4. At this time, the percent counter has timed out. Consequently, the *cInitiator* signal is deasserted on the following clock. It will remain deasserted until the beginning of the next period.

The next period begins at the rising edge of the clock in cycle 17. At that time both counters are reset to their starting values and the *cInitiator* signal is asserted. At the rising edge of clock 30 the *cAcknowledge* signal is asserted and remains asserted until the rising edge of clock 33. During this time the percent counter is counting up towards its reference value.

At the rising edge of clock 32 the period counter times out while the percent counter has not reached its reference value and is still counting. This signifies that the DMA has not been able to provide the specified bandwidth for the selected task, and the timer interrupt signal is asserted.

At the rising edge of clock cycle 33 a new period begins. Both counters are reset; the *cInitiator* signal remains asserted, and the timer interrupt is deasserted. At the rising edge of the clock in cycle 35 the *cAcknowledge* is asserted and remains asserted until cycle 39. During that time, the percent counter is counting up and times out. When it times out at the rising edge in cycle 39, the initiator deasserts on the next clock edge. The period counter continues to count, and the periods continue on as before.

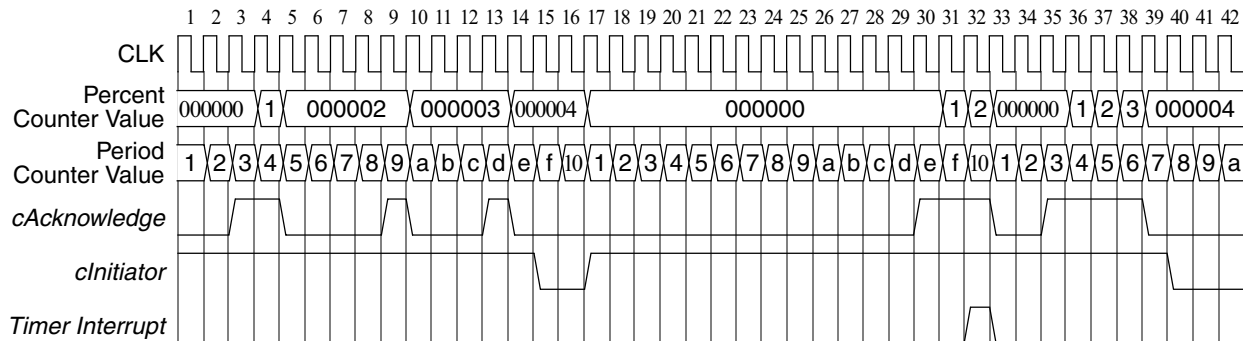


Figure 24-6. Fixed Timer Channel in Task Initiator Mode

24.3.3 Variable Timer in Initiator Mode

The variable timer channels can also be used to create bandwidth control initiator request signals for the DMA. The functionality is similar to the fixed channel in initiator mode. The functionality varies in two ways. First of all, the variable timer channel does not generate interrupts. Secondly, the period counter will not start until the first time the *cAcknowledge* signal asserts. This means that the timer has a baseline period (defined by the CTCR[S] and CTCR[CRV] fields), but the actual period can be greater.

24.3.3.1 Variable Timer in Initiator Mode Example

outputFor this example the CTCR is programmed to 0x00A0_0008. This puts the timer in initiator mode with a timeout period of 8 clocks and a high percentage of 25% (2 clocks).

Unlike the fixed timer channel, the variable timer channel only has the percent counter and it does not start counting at this point, it waits for the *cAcknowledge* signal to enable it.

At the rising edge of the clock in cycle 8, the *cAcknowledge* signal is asserted. At that point the percent counter begins to count. At the rising edge of clock 10, *cAcknowledge* is deasserted and the counter reaches the high time value. As a result of the counter reaching the high time value (2), *cInitiator* is deasserted.

The counter does not stop counting; however, it continues to count toward the period reference value (8). At the rising edge of clock 16, the timer has timed out, it is reset to its initial value (1), and the *cInitiator* signal is asserted.

The next two periods act in a similar fashion. What is most important to be aware of in this diagram is the fact that, unlike the fixed timer channel, the variable timer does not have a fixed period. The percent counter only begins counting when *cAcknowledge* has arrived. It counts to the period value then resets and waits again.

The first period is from clock 1 to clock 16 or 15 clock cycles. The second period is only 8 cycles long and is from clock 16 to clock 24. The third cycle is 10 cycles long running from clock 24 to 34.

The final period is somewhat undefined as the *cAcknowledge* signal has not been asserted yet. Therefore, it is at least 13 cycles long and can be any value greater than that.

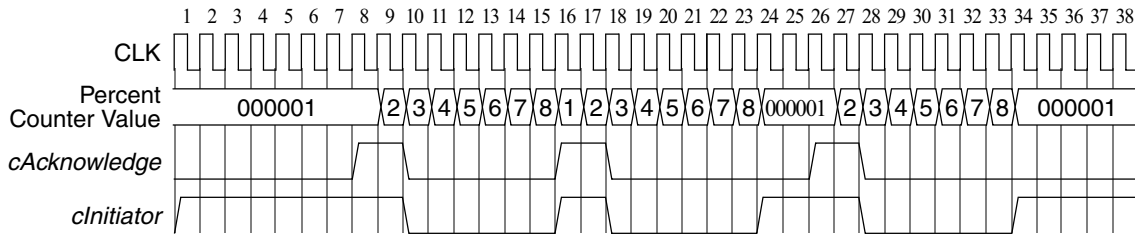


Figure 24-7. Variable Timer Channel in Initiator Mode

Chapter 25

Programmable Serial Controller (PSC)

25.1 Introduction

This chapter describes the MCF547X programmable serial controller (PSC).

25.1.1 Block Diagram

A block diagram of the PSC/IrDA module is shown in Figure 18-1 below.

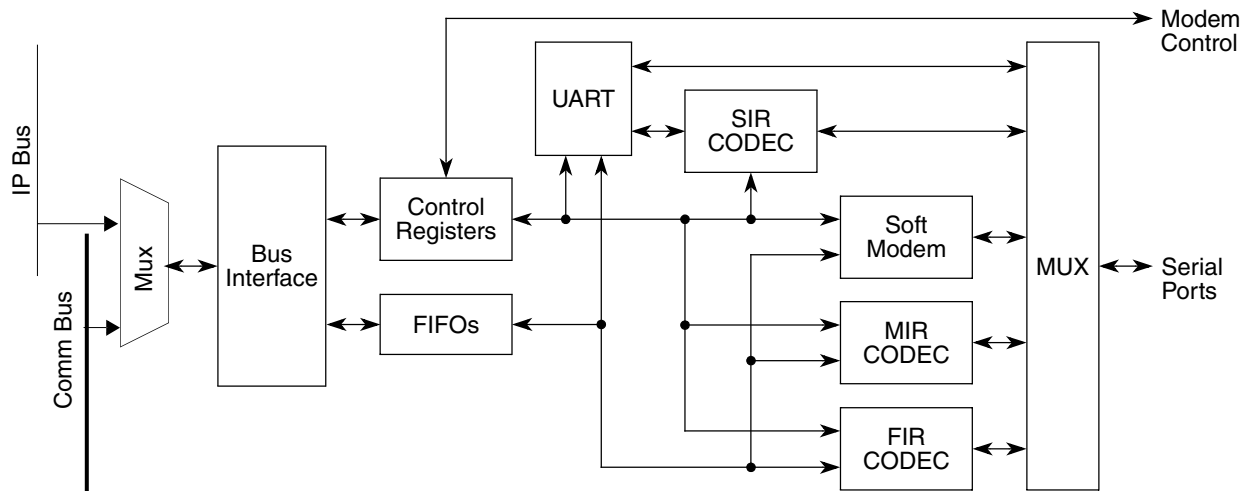


Figure 25-1. PSC/IrDA Block Diagram

25.1.2 Overview

The PSC/IrDA module provides asynchronous, synchronous, and IrDA 1.1 compliant receiver/transmitter serial communications. Each receiver and transmitter contains a 512-byte FIFO to reduce interrupt overhead.

The MCF547X contains four programmable serial controllers.

25.1.3 Features

The primary features of the PSC/IrDA module are as follows:

- Full duplex receiver and transmitter in all modes
- Seven operation modes (UART, three soft modem modes, and three IrDA modes)
- Two 512-byte FIFOs

25.1.4 Modes of Operation

The operation modes supported by the PSC/IrDA module are as follows.

- Universal asynchronous receiver transmitter (UART) mode
- Backward compatible with the MC68681
 - 5,6,7,8 bits data plus parity
 - Odd, even, none, or force parity
 - Stop bit width programmable in 1/16 bit increments
 - Parity, framing, and overrun error detection
 - Automatic $\overline{\text{PSCnCTS}}$ and $\overline{\text{PSCnRTS}}$ modem control signals
- IrDA 1.0 SIR mode (SIR)
 - Baud rate range: 2400 to 115200 bps
 - Selectable pulse width: either 3/16 bit duration or 1.6 us.
- IrDA 1.1 MIR mode (MIR)
 - Baud rate: 0.576 Mbps or 1.152 Mbps.
- IrDA 1.1 FIR mode (FIR)
 - Baud rate: 4.0 Mbps
- 8-bit soft modem mode (modem8)
- 16-bit soft modem mode (modem16)
- AC97 soft modem mode (AC97)

The three soft modem modes (modem8, modem16, and AC97) are jointly referred to as “modem mode.” The three IR modes (SIR, MIR, and FIR) are jointly referred to as “IrDA mode.”

25.2 Signal Description

25.2.1 $\overline{\text{PSCnCTS}}$ / $\overline{\text{PSCBCLK}}$

These signals either operate as the clear to send input signals in UART mode or the bit clock input signals in modem modes and IrDA modes. Please refer to ,” for information about how to program this signal function.

In MIR and FIR mode, the frequency is a multiple of the input bit clock frequency, and the bit clock frequency should be within +/-0.1% and +/-0.01% of the ideal one, respectively.

25.2.2 $\overline{\text{PSCnRTS}}$ / $\overline{\text{PSCFSYNC}}$

These signals act as transmitter request to send output in UART mode, the frame sync input in modem8 and modem16 modes, or the $\overline{\text{RTS}}$ output (which acts as frame sync) in AC97 modem mode.

Refer to the Chapter 14, “GPIO,” and [Section 25.3.3.5, “Command Register \(PSCCRn\),”](#) for information about how to program this signal function.

25.2.3 $\overline{\text{PSCnRXD}}$

$\overline{\text{PSCnRXD}}$ are the receiver serial data inputs for the PSC modules. When the PSC clock is stopped for power-down mode, any transition on the signals restarts them.

25.2.4 PSC_nTXD

PSC_nTXD are the transmitter serial data outputs for the PSC modules. The output is held high (mark condition) when the transmitter is disabled, idle, or in the local loopback mode. The PSC_nTXD signals can be programmed to be driven low (break status) by a command.

Refer to [Section 25.3.3.5, “Command Register \(PSCCR_n\)”](#) for information about how to program this signal function.

25.2.5 Signal Properties in Each Mode

The following table summarizes the signals used for serial communications.

Table 25-1. PSC Signal Properties

Signal Name	I/O	UART	Modem8 Modem16	AC97	SIR	MIR FIR
PSCCLK	I	—	Bit clock		—	xN bit clock
PSCFSYNC	I	—	Sync	—	—	—
PSC _n TXD	O	Serial transmit data				
PSC _n RXD	I	Serial receive data				
$\overline{\text{PSCnRTS}}$	O	Transmitter request to send or Receiver ready to receive	—	Frame sample sync (48 kHz)	—	—
PSC _n CTS	I	Transmitter clear to send	—	—	—	—

25.3 Memory Map/Register Definition

25.3.1 Overview

This section provides a detailed description of all memory locations and registers. Note that the meaning of some control register fields depends on the operation mode.

25.3.2 Module Memory Map

The names and address locations of all control registers are listed in [Table 25-2](#).

Table 25-2. PSC Memory Map

MBAR Offset				Name	Byte0	Byte1	Byte2	Byte3	Access
PSC0	PSC1	PSC2	PSC3						
0x8600	0x8700	0x8800	0x8900	PSC Mode register 1, 2	PSCMR1, PSCMR2	—			R/W
0x8604	0x8704	0x8804	0x8904	PSC Status Register	PSCSR		—		R
				PSC Clock Select Register	PSCCSR	—		W	
0x8608	0x8708	0x8808	0x8908	PSC Command Register	PSCCR	—		W	

Table 25-2. PSC Memory Map (Continued)

MBAR Offset				Name	Byte0	Byte1	Byte2	Byte3	Access	
PSC0	PSC1	PSC2	PSC3							
0x860C	0x870C	0x880C	0x890C	PSC Receive Buffer	PSCRB				R	
				PSC Transmit Buffer	PSTB				W	
0x8610	0x8710	0x8810	0x8910	PSC Input Port Change Register	PSCIPCR	—			R	
				PSC Auxiliary Control Register	PSCACR	—			W	
0x8614	0x8714	0x8814	0x8914	PSC Interrupt Status Register	PSCISR		—		R	
				PSC Interrupt Mask Register	PSCIMR		—		W	
0x8618	0x8718	0x8818	0x8918	PSC Counter Timer Upper Register	PSCCTUR	—			R/W	
0x861C	0x871C	0x881C	0x891C	PSC Counter Timer Lower Register	PSCCTLR	—			R/W	
0x8620	0x8720	0x8820	0x8920	Reserved						
–0x8630	–0x8730	–	–							
0x8634	0x8734	0x8834	0x8934	PSC Input Port	PSCIP	—			R	
0x8638	0x8738	0x8838	0x8938	PSC Output Port Set	PSCOPSET	—			W	
0x863C	0x873C	0x883C	0x893C	PSC Output Port Reset	PSCOPRESET	—			W	
0x8640	0x8740	0x8840	0x8940	PSC PSC / IrDA Control Register	PSCSICR	—			R/W	
0x8644	0x8744	0x8844	0x8944	PSC IrDA Control Register 1	PSCIRCR1	—			R/W	
0x8648	0x8748	0x8848	0x8948	PSC IrDA Control Register 2	PSCIRCR2	—			R/W	
0x864C	0x874C	0x884C	0x894C	PSC IrDA SIR Divide Register	PSCIRSDR	—			R/W	
0x8650	0x8750	0x8850	0x8950	PSC IrDA MIR Divide Register	PSCIRMDR	—			R/W	
0x8654	0x8754	0x8854	0x8954	PSC IrDA FIR Divide Register	PSCIRFDR	—			R/W	
0x8658	0x8758	0x8858	0x8958	PSC RxFIFO Counter Register	PSCRFCNT		—		R	
0x865C	0x875C	0x885C	0x895C	PSC TxFIFO Counter Register	PSCRFCNT		—		R	
0x8660	0x8760	0x8860	0x8960	PSC RxFIFO Data Register	PSCRFDR				R/W	
0x8664	0x8764	0x8864	0x8964	PSC RxFIFO Status Register	PSCRFSR		—		R	
0x8668	0x8768	0x8868	0x8968	PSC RxFIFO Control Register	PSCRFCR	—			R/W	
0x866E	0x876E	0x886E	0x896E	PSC RxFIFO Alarm Register	—	PSCRFAR			R/W	
0x8672	0x8772	0x8872	0x8972	PSC RxFIFO Read Pointer	—	PSCRFRP			R/W	
0x8676	0x8776	0x8876	0x8976	PSC RxFIFO Write Pointer	—	PSCRFWP			R/W	
0x867A	0x877A	0x887A	0x897A	PSC RxFIFO Last Read Frame Pointer	—	PSCRLRFP			R/W	
0x867E	0x877E	0x887E	0x897E	PSC RxFIFO Last Write Frame Pointer	—	PSCRLWFP			R/W	
0x8680	0x8780	0x8880	0x8980	PSC TxFIFO Data Register	PSCTFDR				R/W	
0x8684	0x8784	0x8884	0x8984	PSC TxFIFO Status Register	PSCTFSR		—		R	

Table 25-2. PSC Memory Map (Continued)

MBAR Offset				Name	Byte0	Byte1	Byte2	Byte3	Access
PSC0	PSC1	PSC2	PSC3						
0x8688	0x8788	0x8888	0x8988	PSC TxFIFO Control Register	PSCTFCR	—			R/W
0x868E	0x878E	0x888E	0x898E	PSC TxFIFO Alarm Register	—		PSCTFAR		R/W
0x8692	0x8792	0x8892	0x8992	PSC TxFIFO Read Pointer	—		PSCTFRP		R/W
0x8696	0x8796	0x8896	0x8996	PSC TxFIFO Write Pointer	—		PSCTFWP		R/W
0x869A	0x879A	0x889A	0x899A	PSC TxFIFO Last Read Frame Pointer	—		PSCTLRFP		R/W
0x869E	0x879E	0x889E	0x899E	PSC TxFIFO Last Write Frame Pointer	—		PSCTLWFP		R/W

25.3.3 Register Descriptions

This section gives detailed descriptions of the user accessible registers and bits within the module. In cases where the operation mode affects the functionality of the control register, the operation in each mode is described.

NOTE

Bit functions can vary in different operating modes. The field descriptions are labelled to indicate which modes use a particular field.

25.3.3.1 Mode Register 1(PSCMR1 n)

PSCMR1 controls some of the module configurations. It can be read or written at any time. It is accessed when the mode register pointer points to PSCMR1. The pointer is set to mode register 1 by reset or by a set pointer command using the MISC[2:0] bits in the command register (PSCCR). The pointer points to the next mode register, PSCMR2, after reading or writing PSCMR1.

	7	6	5	4	3	2	1	0	Mode
R	RXRTS	RXIRQ / FU	ERR	PM		PT	BC		UART
W									
R	0	RXIRQ	0	0	0	0	0	0	All other modes
W									
Reset	0	0	1	0	0	0	0	0	
Reg Addr	MBAR + 0x8600 (PSC0); 0x8700 (PSC1); 0x8800 (PSC2); 0x8900 (PSC3)								

Figure 25-2. PSC Mode Register 1 (PSCMR1 n)

Table 25-3. PSCMR1 n Field Descriptions

Bits	Name	Description																				
7	RXRTS	Receiver request-to-send (UART and SIR modes only). Allows the PSCnRTS output to control the PSCnCTS input of the transmitting device to prevent receiver overrun. If both the receiver and transmitter are incorrectly programmed for PSCnRTS control, PSCnRTS control is disabled for both. Transmitter RTS control is configured in PSCMR2n[TxRTS]. 0 The receiver has no effect on PSCnRTS. 1 When a valid start bit is received, PSCnRTS is negated if the UART's FIFO is full. $\overline{\text{PSCnRTS}}$ is reasserted when the FIFO has an empty position available.																				
6	RXIRQ/ FU	Receiver interrupt select (all modes). 0 RxRDY is the source that generates IRQ or DMA request. 1 FU is the source that generates IRQ or DMA request.																				
5	ERR	Error mode (UART mode only). Configures the FIFO status bits, USRn[RB,FE,PE]. 0 Character mode. The PSCSRn values reflect the status of the character at the top of the FIFO. ERR must be 0 for correct A/D flag information when in multidrop mode. 1 Block mode. The PSCSRn values are the logical OR of the status for all characters reaching the top of the FIFO since the last RESET ERROR STATUS command for the channel was issued. See Section 25.3.3.5, "Command Register (PSCCRn)" . This bit is fixed to 1. It is provided for compatibility with previous implementations.																				
4–3	PM	Parity mode (UART mode only). Selects the parity or multidrop mode for the channel. The parity bit is added to the transmitted character, and the receiver performs a parity check on incoming data. The value of PM affects PT, as shown in the table displayed below in the PT field description.																				
2	PT	Parity type (UART mode only). PM and PT together select parity type (PM = 0x) or determine whether a data or address character is transmitted (PM = 11). <table border="1" style="margin-left: auto; margin-right: auto;"> <thead> <tr> <th>PM</th> <th>Parity Mode</th> <th>Parity Type (PT= 0)</th> <th>Parity Type (PT= 1)</th> </tr> </thead> <tbody> <tr> <td>00</td> <td>With parity</td> <td>Even parity</td> <td>Odd parity</td> </tr> <tr> <td>01</td> <td>Force parity</td> <td>Low parity</td> <td>High parity</td> </tr> <tr> <td>10</td> <td>No parity</td> <td colspan="2" style="text-align: center;">n/a</td> </tr> <tr> <td>11</td> <td>Multidrop mode</td> <td>Data character</td> <td>Address character</td> </tr> </tbody> </table>	PM	Parity Mode	Parity Type (PT= 0)	Parity Type (PT= 1)	00	With parity	Even parity	Odd parity	01	Force parity	Low parity	High parity	10	No parity	n/a		11	Multidrop mode	Data character	Address character
PM	Parity Mode	Parity Type (PT= 0)	Parity Type (PT= 1)																			
00	With parity	Even parity	Odd parity																			
01	Force parity	Low parity	High parity																			
10	No parity	n/a																				
11	Multidrop mode	Data character	Address character																			
1–0	BC	Bits per character (UART mode only). Select the number of data bits per character to be sent. The values shown do not include start, parity, or stop bits. 00 5 bits 01 6 bits 10 7 bits 11 8 bits																				

25.3.3.2 Mode Register 2 (PSCMR2 n)

PSCMR2 controls some of the module configuration. It is accessed when the mode register pointer points to PSCMR2, which occurs *after* any access to PSCMR1. Access to PSCMR2 does not change the pointer. The pointer is set to the mode register 1 by reset or by a set pointer command using the MISC[2:0] bits in the command register (PSCCR).

	7	6	5	4	3	2	1	0	Mode
R	CM		TXRTS	TXCTS	SB				UART
W	CM		TXRTS	TXCTS	0	0	0	0	SIR
R	CM		0	0	0	0	0	0	All other modes
W	CM								
Reset	0	0	0	0	0	0	0	0	
Reg Addr	MBAR + 0x8600 (PSC0); 0x8700 (PSC1); 0x8800 (PSC2); 0x8900 (PSC3)								

Figure 25-3. PSC Mode Register 2 (PSCMR2n)

Table 25-4. PSCMR2n Field Descriptions

Bits	Name	Description
7–6	CM	Channel mode (all modes). Selects a channel mode. Section 25.4.9, “Looping Modes,” describes individual modes. 00 Normal 01 Automatic echo 10 Local loop-back 11 Remote loop-back
5	TXRTS	Transmitter ready-to-send (UART and SIR modes). Controls negation of $\overline{\text{PSCnRTS}}$ to automatically terminate a message transmission. Attempting to program a receiver and transmitter in the same channel for $\overline{\text{PSCnRTS}}$ control is not permitted and disables $\overline{\text{PSCnRTS}}$ control for both. 0 The transmitter has no effect on $\overline{\text{PSCnRTS}}$. 1 In applications where the transmitter is disabled after transmission completes, setting this bit automatically clears PSCOP[RTS] one bit time after any characters in the channel transmitter shift and holding registers are completely sent, including the programmed number of stop bits.
4	TXCTS	Transmitter clear-to-send (UART and SIR modes). If both TxCTS and TxRTS are enabled, TxCTS controls the operation of the transmitter. 0 PSCnCTS has no effect on the transmitter. 1 Enables clear-to-send operation. The transmitter checks the state of PSCnCTS each time it is ready to send a character. If PSCnCTS is asserted, the character is sent; if it is negated, the channel PSCnTXD remains in the high state and transmission is delayed until PSCnCTS is asserted. Changes in PSCnCTS as a character is being sent do not affect its transmission.

Table 25-4. PSCMR2n Field Descriptions (Continued)

Bits	Name	Description																																																		
3–0	SB	<p>Stop-bit length control (UART mode only). Selects the length of the stop bit appended to the transmitted character. Stop-bit lengths of 9/16th to 2 bits are programmable for 6–8 bit characters. Lengths of 1 1/16th to 2 bits are programmable for 5-bit characters. In all cases, the receiver checks only for a high condition at the center of the first stop-bit position, that is, one bit time after the last data bit or after the parity bit, if parity is enabled.</p> <p>If an external 1x clock is used for the transmitter, clearing bit 3 selects one stop bit and setting bit 3 selects two stop bits for transmission.</p> <p>An external clock source can be used to generate the baud rate. This is done by configuring the communications timer. Please refer to the about external clock sources. Also refer to Table 25-6.</p> <table border="1" style="margin-left: auto; margin-right: auto;"> <thead> <tr> <th>SB</th> <th>5 Bits</th> <th>6–8 Bits</th> <th>SB</th> <th>5 Bits</th> <th>6–8 Bits</th> <th>SB</th> <th>5–8 Bits</th> <th>SB</th> <th>5–8 Bits</th> </tr> </thead> <tbody> <tr> <td>0000</td> <td>1.063</td> <td>0.563</td> <td>0100</td> <td>1.313</td> <td>0.813</td> <td>1000</td> <td>1.563</td> <td>1100</td> <td>1.813</td> </tr> <tr> <td>0001</td> <td>1.125</td> <td>0.625</td> <td>0101</td> <td>1.375</td> <td>0.875</td> <td>1001</td> <td>1.625</td> <td>1101</td> <td>1.875</td> </tr> <tr> <td>0010</td> <td>1.188</td> <td>0.688</td> <td>0110</td> <td>1.438</td> <td>0.938</td> <td>1010</td> <td>1.688</td> <td>1110</td> <td>1.938</td> </tr> <tr> <td>0011</td> <td>1.250</td> <td>0.750</td> <td>0111</td> <td>1.500</td> <td>1.000</td> <td>1011</td> <td>1.750</td> <td>1111</td> <td>2.000</td> </tr> </tbody> </table>	SB	5 Bits	6–8 Bits	SB	5 Bits	6–8 Bits	SB	5–8 Bits	SB	5–8 Bits	0000	1.063	0.563	0100	1.313	0.813	1000	1.563	1100	1.813	0001	1.125	0.625	0101	1.375	0.875	1001	1.625	1101	1.875	0010	1.188	0.688	0110	1.438	0.938	1010	1.688	1110	1.938	0011	1.250	0.750	0111	1.500	1.000	1011	1.750	1111	2.000
SB	5 Bits	6–8 Bits	SB	5 Bits	6–8 Bits	SB	5–8 Bits	SB	5–8 Bits																																											
0000	1.063	0.563	0100	1.313	0.813	1000	1.563	1100	1.813																																											
0001	1.125	0.625	0101	1.375	0.875	1001	1.625	1101	1.875																																											
0010	1.188	0.688	0110	1.438	0.938	1010	1.688	1110	1.938																																											
0011	1.250	0.750	0111	1.500	1.000	1011	1.750	1111	2.000																																											

25.3.3.3 Status Register (PSCSRn)

The PSCSR register indicates the status of the characters in the FIFO and the status of the transmitter and receiver.

	15	14	13	12	11	10	9	8	7	6	5	4	3	2	1	0
R	RB_NEOF	FE_PHYERR	PE_CRCERR	OE	TXEMP_URERR	TXRDY	FU	RXRDY	CDE_DEOF	ERR	0	0	0	0	0	0
W																
Reset	0	0	0	0	0	0	0	0	0	0	0	0	0	0	0	0
Reg Addr	MBAAR + 0x8604 (PSC0); 0x8704 (PSC1); 0x8804(PSC2); 0x8904 (PSC3)															

Figure 25-4. PSC Status Register (PSCSRn)

Table 25-5. PSCSR n Field Descriptions

Bits	Name	Description
15	RB_NEOF	<p>For UART and SIR modes, this field signifies a received break.</p> <p>0 No break received. 1 Break received.</p> <p>For modem mode, this field is reserved.</p> <p>In MIR and FIR mode, this bit signifies a next byte is EOF.</p> <p>0 The next byte to be read from the RxFIFO is not the last one of the frame. 1 The next byte to be read from the RxFIFO is the last one of the frame. This bit is effective when RxRDY = 1.</p>
14	FE_PHYERR	<p>For UART and SIR modes, this field signifies a framing error.</p> <p>0 No error. 1 The stop bits are not correct.</p> <p>In modem mode, this bit is reserved.</p> <p>In MIR and FIR mode, this bit signifies a Physical layer error.</p> <p>0 No error 1 In MIR mode, this denotes that the receiver received an abort. In FIR mode, this denotes that there was a decode error. This bit can be cleared by the reset error status command in the PSCCR.</p>
13	PE_CRCERR	<p>For UART and SIR modes, this field signifies a parity error.</p> <p>0 Parity error has not occurred. 1 Parity error has occurred.</p> <p>In modem mode, this bit is reserved.</p> <p>In MIR and FIR mode, this bit signifies a CRC error.</p> <p>0 No error 1 The CRC value was not correct. This bit can be cleared by the reset error command in the PSCCR.</p>
12	OE	<p>For all modes, this field signifies an overrun error occurred.</p> <p>0 No error. 1 One or more received characters have been lost. This bit is cleared by the reset error command in CR.</p>
11	TXEMP_URERR	<p>For UART and SIR modes, this field signifies a transmitter empty.</p> <p>0 The transmitter is busy or there is at least one data in the TxFIFO. 1 The transmitter and the TxFIFO is empty.</p> <p>In modem and MIR and FIR modes, this bit signifies an underrun error.</p> <p>0 No error. 1 Underrun error occurred. When the transmitter intended to send, there was no data in the TxFIFO. This bit is cleared by the reset error command in the PSCCR.</p>
10	TXRDY	<p>For all modes, this field signifies a Transmitter ready.</p> <p>0 The number of the data in the TxFIFO is more than the threshold. Different from FIFO's alarm, this bit is determined only by the threshold and not by the granularity. 1 The number of data in the TxFIFO is less than or equal to the threshold (TFALARM). In UART and SIR mode, this bit becomes asserted only when the transmitter is enabled. On the contrary, in modem mode and MIR and FIR IrDA mode, this bit becomes asserted even if the transmitter is disabled.</p>

Table 25-5. PSCSR_n Field Descriptions (Continued)

Bits	Name	Description
9	FU	For all modes, this field signifies that the RxFIFO is full. 0 The number of data in the RxFIFO is less than the threshold or the number of data is more than the granularity after exceeding the threshold. 1 The number in RxFIFO is more than the threshold. This bit becomes low after reading enough data from RxFIFO and the number in it becomes less than the granularity.
8	RXRDY	For all modes, this field signifies a Receiver ready. 0 There is no data in the RxFIFO. 1 There is at least one data in the RxFIFO.
7	CDE_DEOF	In UART mode, this bit is reserved. In modem and SIR mode, this bit is reserved. In MIR and FIR mode, this bit signifies Detect End of Frame or the RxFIFO contains EOF. 0 The receiver has not received an EOF after the last read PSCSR command and there is no EOF in the FIFO. 1 The receiver has received an EOF since last PSCSR read or there is at least one EOF in the RxFIFO. In this case, the interrupt and request can be asserted even if the number of the RxFIFO is less than the threshold and PSCMR1[6]=1. This bit is also set if an error occurred and no correct EOF is received.
6	ERR	Error bit. OR of all errors status bits including FIFO errors. 0 No error was detected. 1 At least one error occurred
5 - 0	—	Reserved

25.3.3.4 Clock Select Register (PSCCSR_n)

The comm timers (CTMs) or the PSC's timer (see [Section 25.3.3.11, “Counter Timer Registers \(PSCCTUR_n, PSCCTLR_n\)”](#) for more information) can be used to generate the baud rate for UART and SIR modes. The PSCCSR selects which clock input is used to generate the baud rate. The system clock can be selected or the output from one of the comm timers (CTM) can be selected. If the CTM clock is selected, it can be divided by 1 or 16. Please refer to the [Chapter 14, “Comm Timer Module \(CTM\),”](#) for more information on the clock sources for baud rate generation.

[Figure 25-5](#) shows the clock options for generating the baud rate for UART or SIR modes.

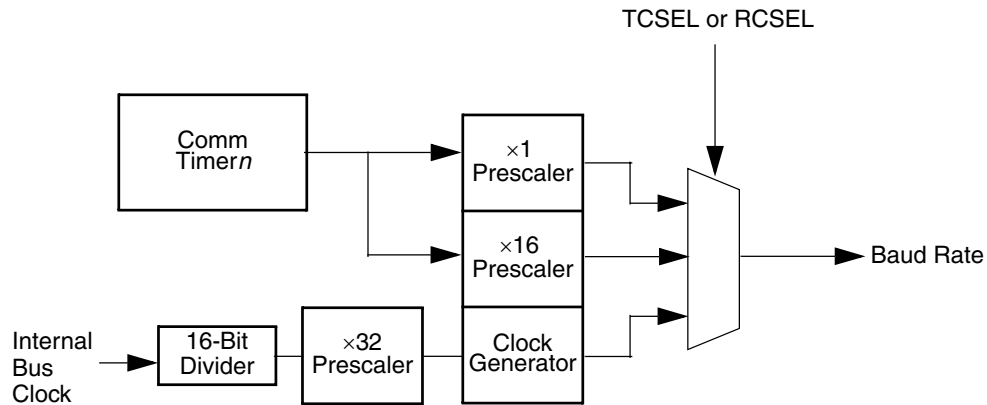


Figure 25-5. UART and SIR Baud Rate Clocking Sources

The upper 4 bits set the receiver and the lower 4 bits set the transmitter clock source. To use the system bus clock for both the transmitter and receiver, program the PSCCSR with 0xDD. It is possible to program the transmitter and the receiver with different clock sources.

	7	6	5	4	3	2	1	0
R								
W	RCSEL				TCSEL			
Reset	1	1	0	1	1	1	0	1
Reg Addr	MBAR + 0x8604 (PSC0); 0x8704 (PSC1); 0x8804 (PSC2); 0x8904 (PSC3)							

Figure 25-6. Clock Select Register (PSCCSR_n)

Figure 25-7. PSCCSR_n Field Descriptions

Bits	Name	Description
7–4	RCSEL	In UART or SIR mode, this is the receiver clock select. Table 25-6 shows the bit settings for this field. In all other modes, this field is reserved.
3–0	TCSEL	In UART or SIR mode, this is the transmitter clock select. Table 25-6 shows the bit settings for this field. In all other modes, this field is reserved.

Table 25-6. RCSEL[3:0] and TCSEL[3:0]

RCSEL[3:0] or TCSEL[3:0]	UART Mode	SIR Mode
0000 – 1101	System Bus Clock	System Bus Clock

Table 25-6. RCSEL[3:0] and TCSEL[3:0] (Continued)

RCSEL[3:0] or TCSEL[3:0]	UART Mode	SIR Mode
1110	× 16 CTM clock	× 16 CTM clock
1111	× 1 CTM clock	

25.3.3.5 Command Register (PSCCR_n)

The PSCCR is used to supply commands to the PSC. Multiple commands can be specified in a single write to the PSCCR if the commands are not conflicting. For example, reset transmitter and enable transmitter commands cannot be specified in a single command.

	7	6	5	4	3	2	1	0
R	0							
W		MISC			TXC		RXC	
Reset	0	0	0	0	0	0	0	0
Reg Addr	MBAR + 0x8608 (PSC0); 0x8708 (PSC1); 0x8808(PSC2); 0x8908 (PSC3)							

Figure 25-8. PSC Command Register (PSCCR_n)

Table 25-7. PSCCR n Field Descriptions

Bits	Value	Command	Description
7	—		Reserved, should be cleared.
6–4	MISC Field (This field selects a single command.)		
	000	NO COMMAND	—
	001	RESET MODE REGISTER POINTER	Causes the mode register pointer to point to PSCMR1 n .
	010	RESET RECEIVER	The receiver and RxFIFO are immediately reset. The receiver is disabled. The FU and RxRDY bits in the PSCSR are cleared and RxFIFO is initialized. All other registers are unaltered.
	011	RESET TRANSMITTER	The transmitter and TxFIFO immediately reset. The transmitter is disabled. <ul style="list-style-type: none"> In UART and SIR mode, the TxEMP and TxRDY bits in PSCSR are cleared. In modem, MIR and FIR mode, the URERR bit is not cleared and the TxRDY is asserted due to no holding data in TxFIFO.
	100	RESET ERROR STATUS	<ul style="list-style-type: none"> In UART and SIR mode, the RB, FE_CDE (FE in SIR mode), PE and OE bits in PSCSR are cleared. In modem mode, the OE and URERR are cleared. In MIR and FIR mode, the PHYERR, CRCERR, OE and URERR are cleared.
	101	RESET BREAK–CHANGE INTERRUPT	The delta break bit, DB, in PSCISR is cleared. This command has no effect in modem, MIR and FIR mode.
	110	START BREAK	This command forces PSCnTXD port low. If the transmitter is empty, the start of the break conditions can be delayed up to one bit time. If the transmitter is active, the break begins when the transmission of the character is completed. If a character is in the transmitter shift register, the start of the break delayed until the character is transmitted. If the TxFIFO has a character, the character is transmitted after the break. The transmitter must be enabled for this command to be accepted. The state of the PSCnCTS input port is ignored for this command. This command has no effect in modem, MIR, and FIR mode.
	111	STOP BREAK	This command causes PSCnTXD to go high (mark) with two bit times. If there are any characters stored in the TxFIFO, they are transmitted. This command has no effect in modem, MIR, and FIR mode.

Table 25-7. PSCCR_n Field Descriptions (Continued)

Bits	Value	Command	Description
3-2	TXC Field (This field selects a single command)		
	00	NO ACTION TAKEN	The transmitter stays in its current mode.
	01	TRANSMITTER ENABLE	<p>This command enables operation of the transmitter. If the transmitter is already enabled, this command has no effect.</p> <ul style="list-style-type: none"> • In UART and SIR mode, the TxEMP and TxRDY bits in PSCSR are also asserted. • In modem, MIR and FIR mode, TxFIFO can be loaded while the transmitter is disabled unlike UART and SIR mode. Therefore TxRDY behaves the same whether the transmitter is enabled or not, and is not automatically set when the transmitter is enabled. The URERR bit is also not automatically set by enabling the transmitter. • In modem8 and modem16 mode, if no data has been written into the TxFIFO before getting the first frame sync after enabling the transmitter, URERR will be set. • In AC97 mode, URERR will be set if <ul style="list-style-type: none"> -- the TxFIFO is empty and the transmitter is enabled and -- the 'Codec Ready' condition has been detected by the receiver and -- a frame sync occurs before any samples have been written into the TxFIFO.
	10	TRANSMITTER DISABLE	<p>This command terminates transmitter operation. If the transmitter is already disabled, this command has no effect.</p> <ul style="list-style-type: none"> • In UART and SIR mode, the TxEMP and TxRDY bits are negated. • In modem, MIR and FIR mode, the TxRDY bit remains as the current condition. • In UART, modem and SIR mode, if a character is being transmitted when the transmitter becomes disabled, the transmission of the character is completed before the transmitter becomes inactive. • In MIR and FIR mode, if the transmitter is sending and there are any characters in the TxFIFO when the transmitter becomes disabled, the transmitter continues sending data until the last byte (data with EOF mark) in the current frame.
	11	—	Reserved, do not use.

Table 25-7. PSCCR n Field Descriptions (Continued)

Bits	Value	Command	Description
1–0	RXC Field (This field selects a single command)		
	00	NO ACTION TAKEN	The receiver stays in its current mode.
	01	RECEIVER ENABLE	This command enables operation of the receiver. If the receiver is already enabled, this command has no effect. <ul style="list-style-type: none"> In UART mode, if the parity mode is not multidrop mode, this command enables the receiver and forces the receiver to search for start bit state. If in multidrop mode, the receiver continuously monitors the received data regardless of whether it is enabled or not.
	10	RECEIVER DISABLE	This command disables the receiver immediately. This command has no effect if the receiver is already disabled. <ul style="list-style-type: none"> In UART and SIR mode, a character being received when the receiver becomes disabled is lost. However, in modem mode, if a character is being received when the receiver becomes disabled, the reception of the character is completed before the receiver is disabled. Similarly, in MIR and FIR mode, the receiver continues to receive the input serial data until it finishes receiving the current frame. <p>If the PSC is programmed to operate in local loopback mode or UART multidrop mode, the receiver operates even though this command is selected.</p>
	11	—	Reserved, do not use.

25.3.3.6 Receiver Buffer (PSCRB n) and Transmitter Buffer (PSCTB n)

Data is read from the Rx FIFO by reading from the read-only PSCRB n registers. Data is written to the Tx FIFO by writing to the write-only PSCTB n registers.

[Figure 25-9](#) shows the registers for UART, Modem 8, SIR, MIR, and FIR modes. [Figure 25-10](#) shows the registers for Modem 16 mode. [Figure 25-11](#) shows the registers for AC97 mode.

NOTE

The Rx and Tx FIFOs can also be accessed via the PSCRFDR n and PSCTFDR n registers. The Tx FIFO access via the PSCTB n will be blocked if the PSC is in UART or SIR mode and the transmitter is disabled. However, access via PSCTFDR n will never be blocked. See [Section 25.3.3.22, “RxFIFO and Tx FIFO Data Register \(PSCRFDR \$n\$, PSCTFDR \$n\$ \)”](#) for more information.

	31		24	23		16										
R	RB								RB							
W	TB								TB							
Reset	0	0	0	0	0	0	0	0	0	0	0	0	0	0	0	0
Reg Addr	MBAR + 0x860C (PSC0); 0x870C (PSC1); 0x880C (PSC2); 0x890C (PSC3)															
	15		8	7		0										
R	RB								RB							
W	TB								TB							
Reset	0	0	0	0	0	0	0	0	0	0	0	0	0	0	0	0
Reg Addr	MBAR + 0x860C (PSC0); 0x870C (PSC1); 0x880C (PSC2); 0x890C (PSC3)															

Figure 25-9. Receiver (PSCR B_n) and Transmitter (PSCTB n) Buffer Register for UART, Modem 8, SIR, MIR, and FIR Modes

Figure 25-10 shows the modem 16 register.

	31		16													
R	RB															
W	TB															
Reset	0	0	0	0	0	0	0	0	0	0	0	0	0	0	0	0
Reg Addr	MBAR + 0x860C (PSC0); 0x870C (PSC1); 0x880C (PSC2); 0x890C (PSC3)															
	15		0													
R	RB															
W	TB															
Reset	0	0	0	0	0	0	0	0	0	0	0	0	0	0	0	0
Reg Addr	MBAR + 0x860C (PSC0); 0x870C (PSC1); 0x880C (PSC2); 0x890C (PSC3)															

Figure 25-10. Receiver (PSCR B_n) and Transmitter (PSCTB n) Buffer Register for Modem 16 Mode

Figure 25-11 shows the AC97 mode register.

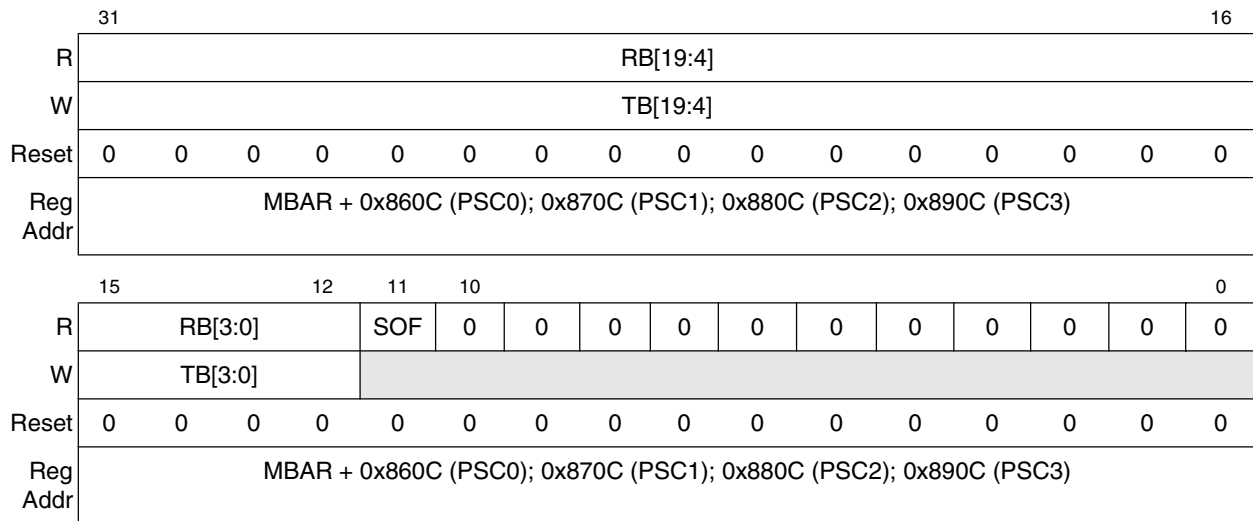


Figure 25-11. Receiver (PSCR n) and Transmitter (PSCTB n) Buffer Register for AC97 Mode

Table 25-8 shows the fields for Modem 8, SIR, MIR, and FIR modes.

Table 25-8. PSCR n and PSCTB n Field Descriptions for UART, Modem 8, SIR, MIR, and FIR Modes

Bits	Name	Description
31–0	RB	Received data—For these modes, data can be read one, two, or four bytes at a time. For one byte at a time, bytes must be read from bits 31–24. For two bytes at a time, bytes must be read from bits 31–16. Higher-bit data was received before lower-bit data.
	TB	Transmit data—For these modes, data can be written one, two, or four bytes at a time. For one byte at a time, bytes must be written to bits 31–24. For two bytes at a time, bytes must be written to bits 31–16. Higher-bit data is transmitted before lower-bit data.

Table 25-9 shows the fields for Modem 16 mode.

Table 25-9. PSCR n and PSCTB n Field Descriptions for Modem 16 Mode

Bits	Name	Description
31–0	RB	Received data—For these modes, data can be read two or four bytes at a time. For two bytes at a time, bytes must be read from bits 31–16. Higher-bit data was received before lower-bit data.
	TB	Transmit data—For these modes, data can be written two or four bytes at a time. For two bytes at a time, bytes must be written to bits 31–16. Higher-bit data is transmitted before lower-bit data.

Table 25-10 shows the fields for AC 97 mode.

Table 25-10. PSCRB_n and PSCTB_n AC 97 Mode Field Descriptions

Bits	Name	Description
31–12	RB	Received data—AC97 data must be read one complete sample at a time. All samples except timeslot #0 (TAG slot) are 20 bits. Timeslot #0 data is only 16 bits. The SOF bit indicates the start of a frame.
	TB	Transmit data—AC97 data must be written one complete sample at a time. All samples except timeslot #0 (TAG slot) are 20 bits. Timeslot #0 data is only 16 bits. The SORF bit indicates the start of a frame
11	SOF	Start of frame. 1 RB/TB contains the first sample in the frame. This is also known as the TAG slot. Bits 31–16 contain the valid data 0 RB/TB contains valid data in bits 31–12. This data is not the first sample in a new frame.
10–0	—	Reserved, should be cleared.

25.3.3.7 Input Port Change Register (PSCIPCR_n)

PSCIPCR_n shows the current state and the change-of-state for the modem control input port.

	7	6	5	4	3	2	1	0	Mode
R	0	0	0	D_CTS	1	1	0	CTS	UART, SIR, MIR, FIR
W									
R	SYNC	0	0	D_CTS	1	1	0	CTS	Modem
W									
Reset	0	0	0	0	1	1	0	0	
Reg Addr	MBAR + 0x8610 (PSC0); 0x8710 (PSC1); 0x8810 (PSC2); 0x8910 (PSC3)								

Figure 25-12. Input Port Change Register (PSCIPCR_n)

Table 25-11. PSCIPCR_n Field Descriptions

Bits	Name	Description
7	SYNC	For UART, SIR, MIR, and FIR modes, this bit is reserved. For modem modes, this bit signifies Sync is detected or not. 0 Sync not detected. 1 Detected sync (ext_clk=1 in modem8/modem16 or $\overline{PSCnRTS}=1$ in AC97 mode)
6–5	—	Reserved, should be cleared.
4	D_CTS	Delta CTS 0 No change-of-state has occurred since the last time the CPU read the PSCIPCR. A read of the PSCIPCR also clears the PSCIPCR D_CTS bit. 1 A change of state, lasting a certain time has occurred at PSCnCTS input. When this bit is set, the PSCACR can be programmed to generate an interrupt to the processor.
3–2	—	Reserved, should be cleared. These bits are set for backward compatibility.

Table 25-11. PSCIPCR n Field Descriptions (Continued)

Bits	Name	Description
1	—	Reserved, should be cleared.
0	CTS	Current state of PSC n CTS port This input is double latched. 0 The current state of the PSC n CTS input port is low. 1 The current state of the PSC n CTS input port is high.

25.3.3.8 Auxiliary Control Register (PSCACR n)

PSCACR controls the handshake of the transmitter/receiver.

	7	6	5	4	3	2	1	0
R	0	0	0	0	0	0	0	
W								IEC0
Reset	0	0	0	0	0	0	0	0
Reg Addr	MBAR + 0x8610 (PSC0); 0x8710 (PSC1); 0x8810 (PSC2); 0x8910 (PSC3)							

Figure 25-13. Auxiliary Control Register (PSCACR n)Table 25-12. PSCACR n Field Descriptions

Bits	Name	Description
7–1	—	Reserved, should be cleared.
0	IEC0	Interrupt enable control for D_CTS. 0 D_CTS has no effect on the IPC in the PSCISR. 1 When the D_CTS becomes high, IPC bit in the PSCISR is set (and it will cause an interrupt if the mask is not set).

25.3.3.9 Interrupt Status Register (PSCISR n)

PSCISR provides status for all potential interrupt sources. The contents of these registers are masked by the PSCIMR register. If a flag in the PSCISR is set and the corresponding bit in PSCIMR is also set, the internal interrupt output is asserted. If the corresponding bit in the PSCIMR is cleared, the state of the bit in the PSCISR has no effect on the output.

	15	14	13	12	11	10	9	8	7	6	5	4	3	2	1	0	Mode
R	IPC	0	0	0	0	0	RXRDY_ FU	TXRDY	DEOF	ERR	0	0	0	0	0	0	MIR / FIR
W																	
R	IPC	0	0	0	0	0	RXRDY_ FU	TXRDY	0	ERR	0	0	0	0	0	0	Modem
W																	
R	IPC	0	0	0	0	DB	RXRDY_ FU	TXRDY	0	ERR	0	0	0	0	0	0	UART
W																	
R	IPC	0	0	0	0	DB	RXRDY_ FU	TXRDY	DEOF	ERR	0	0	0	0	0	0	SIR
W																	
Reset	0	0	0	0	0	0	0	0	0	0	0	0	0	0	0	0	
Reg Addr	MBAR + 0x8614 (PSC0); 0x8714 (PSC1); 0x8814 (PSC2); 0x8914 (PSC3)																

Figure 25-14. Interrupt Status Register (PSCISR_n)

Table 25-13. PSCISR_n Field Descriptions

Bits	Name	Descriptions
15	IPC	Input port change. This bit is set when PSCIPCR _n [D_CTS] and PSCACR _n [IEC0] are set.
14–11	—	Reserved, should be cleared.
10	DB	In UART / SIR, this is a Delta break. The receiver detected the beginning or the end of a break condition. In other modes, this is reserved.
9	RXRDY	Receive data is ready. (selected if PSCMR1[6] = 0) 0 There is no data in the RxFIFO. 1 There is at least one data in the RxFIFO.
	FU	RxFIFO over threshold. (selected if PSCMR1[6] = 1) 0 The number in the RxFIFO is less than the threshold. 1 There is more than or equal number of data in the RxFIFO.
8	TXRDY	Transmitter ready 0 There are more than the threshold number of data in the TxFIFO or transmitter is not enabled. 1 The number of data in the TxFIFO is less than or equal to the threshold (as defined in PSCTFALARM).
7	DEOF	For modem and UART modes this bit is reserved. For SIR and MIR modes, this bit signifies detect end of frame or the RxFIFO contains EOF (Copy of DEOF in PSCSR)

Table 25-13. PSCISR n Field Descriptions (Continued)

Bits	Name	Descriptions
6	ERR	OR of all errors status including FIFO errors. 0 No error was detected. 1 At least one error occurred
5–0	—	Reserved, should be cleared.

25.3.3.10 Interrupt Mask Register (PSCIMR n)

The PSCIMR selects the corresponding bits in the PSCISR that cause an interrupt. If one of the bits in the PSCISR is set and the corresponding bit in the PSCIMR is also set, the internal interrupt output is asserted. If the corresponding bit in the PSCIMR is zero, the state of the bit in the PSCISR has no effect on the interrupt output. The PSCIMR does not mask the reading of the PSCISR.

	15	14	13	12	11	10	9	8	7	6	5	4	3	2	1	0	Mode
R	IPC	0	0	0	0	0	RXRDY_ FU	TXRDY	DEOF	ERR	0	0	0	0	0	0	MIR / FIR
W																	
R	IPC	0	0	0	0	0	RXRDY_ FU	TXRDY	0	ERR	0	0	0	0	0	0	Modem
W																	
R	IPC	0	0	0	0	DB	RXRDY_ FU	TXRDY	0	ERR	0	0	0	0	0	0	UART
W																	
R	IPC	0	0	0	0	DB	RXRDY_ FU	TXRDY	DEOF	ERR	0	0	0	0	0	0	SIR
W																	
Reset	0	0	0	0	0	0	0	0	0	0	0	0	0	0	0	0	
Reg Addr	MBAR + 0x8614 (PSC0); 0x8714 (PSC1); 0x8814 (PSC2); 0x8914 (PSC3)																

Figure 25-15. Interrupt Mask Register (PSCIMR n)Table 25-14. PSCIMR n Field Descriptions

Bits	Name	Description
15	IPC	Input port change interrupt 0 IPC has no effect on the interrupt. 1 Enable the interrupt for IPC in the PSCISR.
14–11	—	Reserved, should be cleared.
10	DB	In UART / SIR , this is a delta break interrupt. In other modes, this is reserved. 0 DB has no effect on the interrupt. 1 Enable the interrupt for DB in the PSCISR register.

Table 25-14. PSCIMR_n Field Descriptions (Continued)

Bits	Name	Description
9	RXRDY_FU	RxFIFO interrupt, see PSCISR[RXRDY_FU] in Table 25-13 . 0 PSCISR[RXRDY] or PSCISR[FU] has no effect on the interrupt. 1 Enable the interrupt for RXRDY or FU in the PSCISR.
8	TXRDY	TXRDY interrupt 0 TXRDY has no effect on the interrupt. 1 Enable the interrupt for TXRDY in the PSCISR.
7	DEOF	For modem and UART modes this bit is reserved. For SIR MIR mode, this bit signifies Detect End of Frame or RxFIFO contains EOF 0 FEOF has no effect on the interrupt 1 Enable the interrupt for DEOF in the PSCISR
6	ERR	OR of all errors status including FIFO errors. 0 No error was detected. 1 At least one error occurred
5–0	—	Reserved, should be cleared.

25.3.3.11 Counter Timer Registers (PSCCTUR_n, PSCCTLR_n)

These registers hold the upper and lower bytes of the preload value to be used by the PSC timer in order to provide a given baud rate.

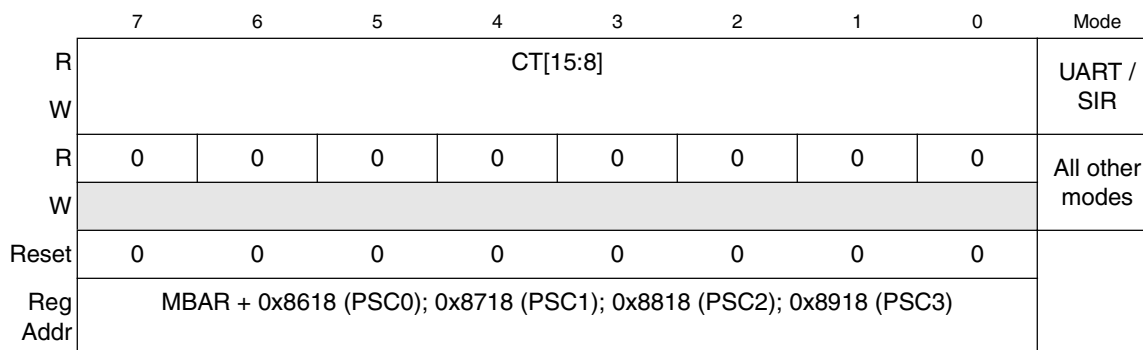


Figure 25-16. Counter Timer Upper Register (PSCCTUR_n)

Table 25-15. PSCCTUR_n Field Descriptions

Bits	Name	Description
7–0	CT [15:8]	PSCCTUR. For UART and SIR modes this field signifies the baud rate prescale value. The baud rate is calculated as Baud rate = (system clock frequency) / (CT[15:0] × 16 × 2) The minimum CT value is 1 and 0 denotes the counter stop.

Table 25-16. PSCCTLR_n Field Descriptions

Bits	Name	Description
7–0	CT [7:0]	PSCCTLR. For UART and SIR modes this field signifies the baud rate prescale value. The baud rate is calculated as $\text{Baud rate} = (\text{system clock frequency}) / (\text{CT}[15:0] \times 16 \times 2)$ The minimum CT value is 1 and 0 denotes the counter stop.

25.3.3.12 Input Port (PSCIP_n)

The PSCIP shows the current state of the input ports.

Table 25-17. PSCIP_n Field Descriptions

Bits	Name	Description
7	LPWR_B	In UART, IrDA, and modem modes this bit is reserved. In AC97 mode, this bit signifies the low power mode: 0 CODEC is in low power mode. 1 Usual operation
6	TGL	In UART and IrDA modes this bit is reserved. In AC97 and modem modes, this bit signifies test usage. Toggle by frame sync.
5–1	—	Reserved, should be cleared.
0	CTS	Current state of the PSCnCTS input 0 PSCnCTS is low 1 PSCnCTS is high

25.3.3.13 Output Port Bit Set (PSCOPSET_n)

Output ports are asserted by writing to this register.

Table 25-18. PSCOPSET_n Field Descriptions

Bits	Name	Description
7–1	—	Reserved, should be cleared.
0	RTS	This field is reserved in AC97 mode. For all other modes, assert $\overline{\text{PSCnRTS}}$ output 0 No operation 1 Asserts output port $\overline{\text{PSCnRTS}}$ ($\overline{\text{PSCnRTS}}$ becomes 0).

25.3.3.14 Output Port Bit Reset (PSCOPRESET_n)

Output ports are negated by writing to this register.

	7	6	5	4	3	2	1	0	Mode
R	0	0	0	0	0	0	0		UART / Modems/ IrDA
W								RTS	
R	0	0	0	0	0	0	0	0	AC97
W									
Reset	0	0	0	0	0	0	0	0	
Reg Addr	MBAR + 0x863C (PSC0); 0x873C (PSC1); 0x883C (PSC2); 0x893C (PSC3)								

Figure 25-17. Output Port Bit Reset Register (PSCOPRESET n)

Table 25-19. PSCOPRESET n Field Descriptions

Bits	Name	Description
7–1	—	Reserved, should be cleared.
0	RTS	This field is reserved in AC97 mode. For other modes, negate $\overline{PSCnRTS}$ output 1 Negates output port $\overline{PSCnRTS}$ ($\overline{PSCnRTS}$ becomes 1). 0 No operation

25.3.3.15 PSC/IrDA Control Register (PSCSICR n)

This register sets the main operation mode.

Table 25-20. PSCSICR n Field Descriptions

Bits	Name	Descriptions
7	ACRB	This field is reserved in UART, SIR, MIR, FIR, and modem modes. In AC97 mode, this bit signifies Cold Reset to the transceiver in PSC 0 The transceiver recovers from low power mode in AC97. 1 The transceiver stays in the current state. This bit is included for compatibility with USART.
6	AWR	This field is reserved in UART, SIR, MIR, FIR, and modem modes. In AC97 mode, this bit signifies Warm Reset (to the transceiver in PSC and AC97 CODEC) 0 AC97 warm reset is negated. $\overline{PSCnRTS}$ output functions normally as the AC97 frame sync. 1 Force “1” on $\overline{PSCnRTS}$ output which is used as the AC97 frame sync and the transceiver in PSC recovers from power down mode.
5	DTS1	This field is reserved in UART, SIR, MIR, FIR, and AC97 modes. In modem modes, this bit signifies delay of time slot 1. 0 The first bit of the first time slot of a new frame starts at the rising edge of frame sync. 1 The first bit of the first time slot of a new frame starts one bit clock cycle after the rising edge of frame sync.
4	SHDIR	This field is reserved in UART, SIR, MIR, FIR, and AC97 modes. In modem modes, this bit signifies Shift Direction 0 MSB first 1 LSB first

Table 25-20. PSCSICR_n Field Descriptions (Continued)

Bits	Name	Descriptions
3	—	Reserved, should be cleared.
2–0	SIM	PSC/IrDA operation mode. See Table 25-21. , “SIM[2:0]”

Table 25-21. SIM[2:0]

SIM[2:0]	Operation Mode
000	UART
001	8 bit soft modem
010	16 bit soft modem
011	AC97
100	SIR
101	MIR
110	FIR
111	Illegal

NOTE

When the operating mode change occurs, all receiver, transmitter, and error statuses are reset and the receiver and transmitter are disabled.

25.3.3.16 Infrared Control Register 1 (PSCIRCR1_n)

This register controls the configuration in IrDA mode.

Table 25-22. PSCIRCR1_n Field Descriptions

Bits	Name	Description
7–4	—	Reserved, should be cleared.
2	FD	In MIR, FIR, SIR, and modem modes, this bit signifies full duplex enable. 0 The receiver in IrDA mode is disabled while the transmitter is busy. 1 The receiver in IrDA mode is not disabled while the transmitter is busy. This bit should not be set in usual operations. In loop back channel mode, CM=10, this bit is automatically set.
1	SIPEN	In SIR mode this bit is reserved. In MIR, FIR, and modem mode, this bit signifies sends SIP enable after every frame. 0 SIP is sent only when the SIPREQ bit in the PSCIRCR2 becomes high. 1 The transmitter always send 1.6 μ s SIP after the STO flag in order to inform slow speed devices that higher speed device is connecting.
0	SPUL	In MIR, FIR, and modem modes this bit is reserved. In SIR mode, this bit signifies SIR pulse width. 0 SIR pulse width is 3/16 of the bit duration. 1 SIR pulse width is 1.6 μ s

25.3.3.17 Infrared Control Register 2 (PSCIRCR2n)

This register sets some requests to the transmitter or the TxFIFO.

Table 25-23. PSCIRCR2n Field Descriptions

Bits	Name	Descriptions
7–3	—	Reserved, should be cleared.
2	SIPREQ	In all other modes besides MIR and FIR, this bit is reserved. In MIR and FIR mode, this bit signifies request to send SIP. 0 No operation 1 If the transmitter becomes idle state, the transmitter starts to send one SIP pulse. This bit keeps high until the transmitter finishes sending a SIP and becomes low automatically when the transmitter finishes sending a SIP.
1	ABORT	In most modes this bit is reserved. In MIR and FIR mode, this bit signifies abort output. 0 Stop sending abort sequence. 1 While the transmitter is sending data or CRC, writing 1 to this bit causes the transmitter immediately start to output abort sequence (2 or more illegal symbol “0000” in FIR mode, or 7 or more consecutive in MIR mode). Before the next frame is transmitted, this bit must be reset.
0	NXTEOF	In most modes this bit is reserved. In MIR and FIR mode, this bit signifies next is the last byte. 0 The next write data is not the last byte in a frame. 1 The next write data is the last byte in the current frame. When the processor performs a write to the TB, an EOF mark is added to the data in the TxFIFO memory. This bit is cleared after writing to the transmit buffer. This bit is usually set by IP-bus write operation. Since the comm bus has the transmit_frame_done_b signal, this bit need not be set by the comm bus write operation.

25.3.3.18 Infrared SIR Divide Register (PSCIRSDRn)

Table 25-24. PSCIRSDRn Field Descriptions

Bits	Name	Descriptions
7–0	IRSTIM	Applies only in SIR mode; in all other modes, this field is reserved. In SIR mode, this field signifies the timer counter value for 1.6 μ s pulse. In SIR mode, this is used to make 1.6 μ s pulse when SPUL in the IRCR1 is high and SIPREQ in the IRCR2 is high. This value should be set so that system clock period * IRSTIM = 1.6 μ s The default value is 54 (decimal) and this is for the 33-MHz bus clock.

25.3.3.19 Infrared MIR Divide Register (PSCIRMDRn)

This register sets the baud rate in MIR mode.

Table 25-25. PSCIRMDR n Field Descriptions

Bits	Name	Description
7	FREQ	Applies only in MIR mode; in all other modes, this field is reserved. In MIR mode, this bit signifies 0.576 Mbps mode. 0 The baud rate is 1.152 Mbps. 1 If the baud rate is 0.576 Mbps, this bit should be set high in order to output 1.6 us SIP.
6–0	M_FDIV	Applies only in MIR mode; in all other modes, this field is reserved. In MIR mode, this bit signifies clock divide ratio. The bit frequency is derived by the following equation. $f_{\text{bit}} = \frac{f_{\text{bit_clk}}}{M_FDIV + 1}$ This bit frequency should be 0.576 or 1.152 MHz. In order to send a quarter bit duration pulse and receive minimum pulse described in the IrDA spec, (M_FDIV + 1) should be a factor of 4 and larger than or equal to 8. Table 25-26 shows the selectable divide factor and the input clock frequency on the PSCBCLK port. See Table 25-26 , “Frequency Selection in MIR Mode”

Table 25-26. Frequency Selection in MIR Mode

M_FDIV	Frequency of bit_clk [MHz]	
	1.152 Mbps	0.576 Mbps
7	9.216	4.6080
11	18.432	9.216
15	36.864	18.432
19	73.728	36.864
23	147.46	73.728
27	294.91	147.46
31	589.82	294.91

25.3.3.20 Infrared FIR Divide Register (PSCIRFDR n)

This register sets the baud rate in FIR mode.

Table 25-27. PSCIRFDR n Field Descriptions

Bits	Name	Description
7–4	—	Reserved, should be cleared.
3–0	F_FDIV	<p>Applies only in FIR mode; in all other modes, this field is reserved.</p> <p>In FIR mode, this field signifies clock divide ratio. The bit frequency is derived by the following equation.</p> $f_{\text{bit}} = \frac{f_{\text{bit_clk}}}{F_FDIV + 1}$ <p>This bit frequency should be 8 MHz. In order to receive the minimum pulse width described in the IrDA spec, (F_FDIV + 1) should be larger than or equal to 4. shows several frequency selection. See Table 25-28., “Frequency Selection in FIR Mode</p>

Table 25-28. Frequency Selection in FIR Mode

F_FDIV[3:0]	Frequency of bit_clk [MHz]
3	32.0
4	40.0
5	48.0
6	56.0
...	...

25.3.3.21 Rx FIFO and Tx FIFO Counter Register (PSCRFCNT n , PSCTFCNT n)

This register applies to all modes.

	15	14	13	12	11	10	9	8	7	6	5	4	3	2	1	0
R	0	0	0	0	0	0	0	CNT								
W	[Shaded]															
Reset	0	0	0	0	0	0	0	0	0	0	0	0	0	0	0	0
Reg Addr	MBAR + 0x8658 (PSCRFCNT0); 0x8758 (PSCRFCNT1); 0x8858 (PSCRFCNT2); 0x8958 (PSCRFCNT3) and MBAR + 0x865C (PSCTFCNT0); 0x875C (PSCTFCNT1); 0x885C (PSCTFCNT2); 0x895C (PSCTFCNT3)															

Figure 25-18. Rx FIFO (PSCRFCNT n) and Tx FIFO (PSCTFCNT n) Counter Register

Table 25-29. PSCRFCNT n and PSCTFCNT n Field Descriptions

Bits	Name	Description
15-9	—	Reserved, should be cleared.
8–0	CNT	Number of bytes in the FIFO

25.3.3.22 Rx FIFO and Tx FIFO Data Register (PSCRFD Rn , PSCTFD Rn)

These registers provide access to the internal Rx and Tx FIFOs.

Reads from the PSCRFDR n register return received data from the Rx FIFO. In addition, this register provides the possibility to fill the Rx FIFO for software development/debug purposes.

Writes to the PSCTFDR n register write data into the Tx FIFO. In addition, this register provides the possibility to read data back from the Tx FIFO for software development/debug purposes.

Refer to [Section 25.3.3.6, “Receiver Buffer \(PSCRBN\) and Transmitter Buffer \(PSCTBN\)”](#), for more information about the data formats.

	31	30	29	28	27	26	25	24	23	22	21	20	19	18	17
R	DATA														
W	DATA														
Reset	0	0	0	0	0	0	0	0	0	0	0	0	0	0	0
	15	14	13	12	11	10	9	8	7	6	5	4	3	2	1
R	DATA														
W	DATA														
Reset	0	0	0	0	0	0	0	0	0	0	0	0	0	0	0
Reg Addr	MBAR + 0x8660 (PSCRFDR0); 0x8760 (PSCRFDR1); 0x8860 (PSCRFDR2); 0x8960 (PSCRFDR3) and MBAR + 0x8680 (PSCTFDR0); 0x8780 (PSCTFDR1); 0x8880 (PSCTFDR2); 0x8980 (PSCTFDR3)														

Figure 25-19. Rx FIFO (PSCRFDR n) and Tx FIFO (PSCTFDR n) Data Register

25.3.3.23 Rx FIFO and Tx FIFO Status Register (PSCRFSR n , PSCTFSR n)

The FIFO status registers contain bits which provide information about the status of the FIFO controller. Some of the bits of this register are used to generate DMA requests. This register applies to all modes.

	15	14	13	12	11	10	9	8	7	6	5	4	3	2	1	0
R	IP	TXW	TAG	FRM				FAE	RXW	UF	OF	FRMRDY	FU	ALARM	EMT	
W	w1c	w1c						w1c	w1c	w1c	w1c					
Reset	0	0	0	0	0	0	0	0	0	0	0	0	0	0	0	1
Reg Addr	MBAR + 0x8664 (PSCRFSR0); 0x8764 (PSCRFSR1); 0x8864 (PSCRFSR2); 0x8964 (PSCRFSR3) and MBAR + 0x8684 (PSCTFSR0); 0x8784 (PSCTFSR1); 0x8884 (PSCTFSR2); 0x8984 (PSCTFSR3)															

Figure 25-20. Rx FIFO (PSCRFSR) and Tx FIFO (PSCTFSR) Status Register

Table 25-30. PSCRFSR_n and PSCTFSR_n Field Descriptions

Bits	Name	Description
15	IP	Illegal pointer. This bit signifies an illegal pointer condition in the FIFO controller. A 1 in this bit will cause a FIFO error condition in the PSCISR. This bit will remain set until a 1 is written to this bit location. 0 No illegal pointer condition. 1 An address outside the FIFO controller's memory range has been written to one of the user-visible pointers.
14	TXW	Transmit wait condition. This bit indicates that the bus is incurring wait states because there is not enough data in the FIFO to remove data without causing underflow. A 1 in this bit will cause a FIFO error condition in the PSCISR. This bit will remain set until a 1 is written to this bit location. Valid only for TxFIFO. 0 No Error 1 When the FIFO is empty and the CODEC requested to read. Writing a 1 clears this bit.
13-12	TAG	Holds the last read tag information.
11-8	FRM	Frame indicator. This bus provides a frame status indicator for non-DMA applications. 1000 A frame boundary has occurred on the [31:24] byte of the data bus 0100 A frame boundary has occurred on the [23:16] byte of the data bus 0010 A frame boundary has occurred on the [15:8] byte of the data bus 0001 A frame boundary has occurred on the [7:0] byte of the data bus
7	FAE	Frame accept error. This bit indicates a frame accept error in the FIFO controller and will assert in two scenarios. 1) The user has over-written data in a transmit FIFO for a frame that needs to be retried. 2) The user has read data from a receive FIFO for a frame that has subsequently been rejected. A 1 in this bit will cause a FIFO error condition in the PSCISR. This bit will remain set until a 1 is written to this bit location. This bit is inactive when the FIFO is not programmed for frame mode. 0 No frame accept error. 1 Frame accept error.
6	RXW	Receive wait condition. This bit indicates that the bus is incurring wait states because there is not enough room in the FIFO to accept the data without causing overflow. A 1 in this bit will cause a FIFO error condition in the PSCISR. This bit will remain set until a 1 is written to this bit location. Valid only for RxFIFO. 0 No error. 1 When the FIFO is full and the CODEC received more data. Writing a 1 clears this bit.
5	UF	FIFO underflow. This bit signifies that the read pointer has surpassed the write pointer. A 1 in this bit will cause a FIFO error condition in the PSCISR. This bit will remain set until a 1 is written to this bit location. 0 No Underflow. 1 Read pointer has passed the write pointer. Writing a 1 to this bit clears the UF indicator. Writing zero has no effect.
4	OF	FIFO Overflow. This bit signifies that the write pointer has surpassed the read pointer. A 1 in this bit will cause a FIFO error condition in the PSCISR. This bit will remain set until a 1 is written to this bit location. 0 No overflow. 1 Write pointer has passed the read pointer. Writing a 1 to this bit clears the OF indicator. Writing a zero has no effect.

Table 25-30. PSCRFSR n and PSCTFSR n Field Descriptions (Continued)

Bits	Name	Description
3	FRMRDY	Frame ready. This read only bit indicates that there is framed data ready. All complete frames must be read from the FIFO to clear this alarm. This alarm will only be set while in frame mode. 0 No complete frames exist in the FIFO. 1 One or more complete frames exist in the FIFO.
2	FU	FIFO full alarm. This read only bit indicates that the FIFO is full. The FIFO must be read to clear this alarm. 0 FIFO is not full. 1 FIFO has requested attention because it is full. The FIFO must be read to clear this alarm.
1	ALARM	Alarm. This read only bit indicates that the FIFO has determined an alarm condition. For Transmitter: The FIFO alarm provides a low level indication, setting when there are more than alarm bytes in the FIFO (see Section 25.3.3.25, “RxFIFO and TxFIFO Alarm Register (PSCRFA n , PSCTFA n)” for more information). The alarm is cleared when the FIFO is written so that less than ($4 \times$ PSCTFCR[GR]) free bytes in the FIFO. For Receiver: The FIFO alarm provides a high level indication, setting when there are less than alarm bytes free in the FIFO (see Section 25.3.3.25, “RxFIFO and TxFIFO Alarm Register (PSCRFA n , PSCTFA n)” for more information). The alarm is cleared when the FIFO is read so that fewer than PSCRFCR[GR] bytes remain in the FIFO. 0 Alarm not set. 1 FIFO has requested attention because it has determined an alarm condition.
0	EMT	FIFO empty. This read only bit indicates that the FIFO is empty. The FIFO must be written to clear this bit. 0 FIFO not empty. 1 FIFO has requested attention because it is empty. The FIFO must be written to clear this alarm.

25.3.3.24 RxFIFO and TxFIFO Control Register (PSCRFCR n , PSCTFCR n)

The FIFO control registers provide programmability of FIFO behaviors, including last transfer granularity and frame operation. Last transfer granularity allows the user to control when the FIFO controller stops requesting data transfers through the FIFO alarm by modifying the clearing point of the alarm, ensuring the data stream is stopped at a valid point, or there remains enough space in the FIFO to unload the input data pipeline. Additional explanation of this field can be found below. The frame bit of the control register provides a capability to enable and control the FIFO controller’s ability to view data on a packetized basis. Frame mode overrides the FIFO granularity bits, by setting the PSCRFSR[FRMRDY] bit. The bit definitions for this register are shown in Figure 25-21, and the fields are further defined in the field description below.

This register applies to all modes.

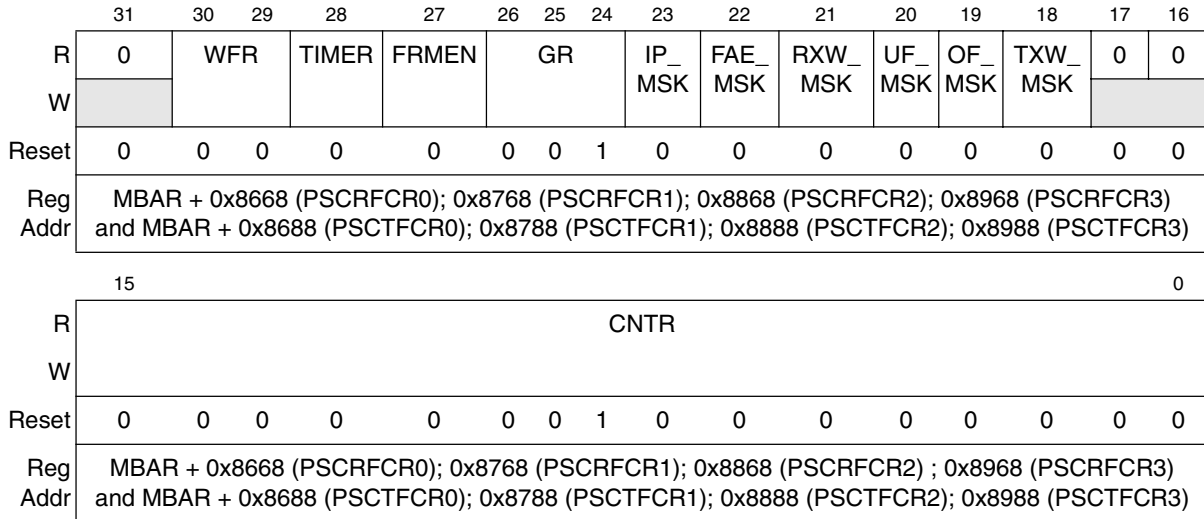


Figure 25-21. RxFIFO and TxFIFO Control Register (PSCRFCR_n, PSCTFCR_n)

Table 25-31. PSCRFCR_n and PSCTFCR_n Field Descriptions

Bits	Name	Description
31	—	Reserved, should be cleared.
30–29	WFR	Write frame. When this bit is set, the FIFO controller assumes the next write to its data port is the end of a frame, and will tag the incoming data accordingly. This bit is automatically cleared by a write to the data port. This bit is only implemented in the PSCTFCR _n .
28	TIMER	Timer mode enable. When this bit is set, the FIFO controller will suppress a frame ready request for service from occurring until the timer expires. The timer period can be programmed using the COUNTER[15:0] bits. A request for service will be made every (COUNTER[15:0] * 64) cycles as long as a valid frame exists in the FIFO. Alarm requests are not affected by this mode. Further, the timer is restarted anytime a read or a write to the FIFO Data register occurs. This indicates that either the FIFO currently has the DMA's attention or that data is still being transferred and that there is the possibility that a naturally generated alarm will occur. This bit is only meaningful when Frame Mode is enabled via the FRMEN bit.
27	FRMEN	Frame mode enable 0 Frame mode disabled. 1 Frame mode enabled.
26–24	GR	Granularity For Transmitter: These bits control the high “watermark” point at which the FIFO will negate its alarm condition (i.e. request for data). It represents the number of Free Bytes multiplied by 4. For example, if GR = 000, the FIFO will wait to become completely full before it stops requesting data. If GR = 001, the FIFO will stop requesting data when it has only one longword of space remaining. For Receiver: These bits control the high “watermark” point at which the FIFO will negate its alarm condition (i.e. its request to empty its data). It represents the number of Data Bytes multiplied by 4. For example, if GR = 001, the FIFO will stop requesting service when it has only one longword of data remaining

Table 25-31. PSCRFCR_n and PSCTFCR_n Field Descriptions (Continued)

Bits	Name	Description
23	IP_MSK	Illegal pointer mask. When this bit is set, the FIFO controller masks the status register's IP bit from generating an error.
22	FAE_MSK	Frame accept error mask. When this bit is set, the FIFO controller masks the status register's FAE bit from generating an error.
21	RXW_MSK	Receive wait condition mask. When this bit is set, the FIFO controller masks the status register's RXW bit from generating an error.
20	UF_MSK	FIFO underflow mask. When this bit is set, the FIFO controller masks the status register's UF bit from generating an error.
19	OF_MSK	FIFO overflow mask. When this bit is set, the FIFO controller masks the status register's OF bit from generating an error.
18	TXW_MSK	Transmit wait condition mask. When this bit is set, the FIFO controller masks the status register's TXW bit from generating an error.
17-16	—	Reserved, should be cleared.
15-0	CNTR	Timer mode counter. When the TMR bit is set, the value of the COUNTER[15:0] bits are used to determine the period of time that the frame ready request is suppressed. A request for service will be made every (COUNTER[15:0] * 64) cycles as long as a valid frame exists in the FIFO.

25.3.3.25 RxFIFO and Tx FIFO Alarm Register (PSCR FAR_n, PSCT FAR_n)

	15	14	13	12	11	10	9	8	7	6	5	4	3	2	1	0
R	0	0	0	0	0	0	0	ALARM								
W	—															
Reset	0	0	0	0	0	0	0	0	0	0	0	0	0	0	0	0
Reg Addr	MBAR + 0x866E (PSCR FAR0); 0x876E (PSCR FAR1); 0x886E (PSCR FAR2); 0x896E (PSCR FAR3) and MBAR + 0x868E (PSCT FAR0); 0x878E (PSCT FAR1); 0x888E (PSCT FAR2); 0x898E (PSCT FAR3)															

Figure 25-22. RxFIFO (PSCR FAR_n) and Tx FIFO (PSCT FAR_n) Alarm RegisterTable 25-32. PSCR FAR_n and PSCT FAR_n Field Descriptions

Bits	Name	Description
15-9	—	Reserved, should be cleared.
8-0	ALARM	Alarm pointer For Transmitter: The user writes these bits to set the low level “watermark”, which is the point at which the FIFO asserts its request for data filling to the DMA controller. This value is in bytes. For example, with ALARM = 32, the alarm condition will occur when the FIFO has 32 (or less) bytes in it. The alarm, once asserted, will not negate until the high level mark is reached, as specified by the granularity bits in the PSCTFCR. For Receiver: The user writes these bits to set the high level “watermark”, which is the point at which the FIFO asserts its request for data emptying to the DMA controller. This value is in bytes. For example, with ALARM = 32, the alarm condition will occur when the FIFO has 32 (or more) bytes in it. The alarm, once asserted will not negate until the low level mark is reached, as specified by the granularity bits in the PSCRFCR.

25.3.3.26 RxFIFO and TxFIFO Read Pointer (PSCRFRP_n, PSCTFRP_n)

The read pointer is a FIFO-maintained pointer that points to the next FIFO location to be read. The physical address of this FIFO location is actually the combination of the read pointer and the FIFO base, which is provided through a port to the FIFO controller. The read pointer can be both read and written. This ability facilitates the debug of the FIFO controller and peripheral drivers.

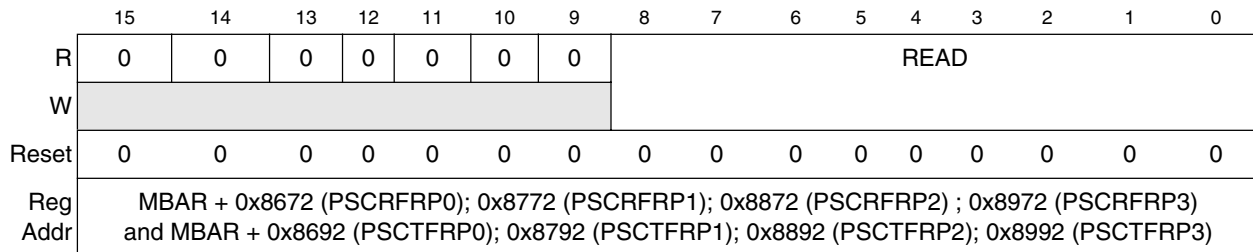


Figure 25-23. RxFIFO (PSCRFRP_n) and TxFIFO (PSCTFRP_n) Read Pointer

Table 25-33. PSCRFRP_n and PSCTFRP_n Field Descriptions

Bits	Name	Description
15–9	—	Reserved, should be cleared.
8–0	READ	Read pointer. This pointer indicates the next location to be read by the FIFO controller.

25.3.3.27 RxFIFO and TxFIFO Write Pointer (PSCRFWP_n, PSCTFWP_n)

The write pointer is a FIFO-maintained pointer that points to the next FIFO location to be written. The physical address of this FIFO location is actually the sum of the write pointer and the FIFO base, which is provided through a port to the FIFO controller. The write pointer can be both read and written. This ability facilitates the debug of the FIFO controller and peripheral drivers. The write pointer is reset to zero, and non-functional bits of this pointer will always remain zero.

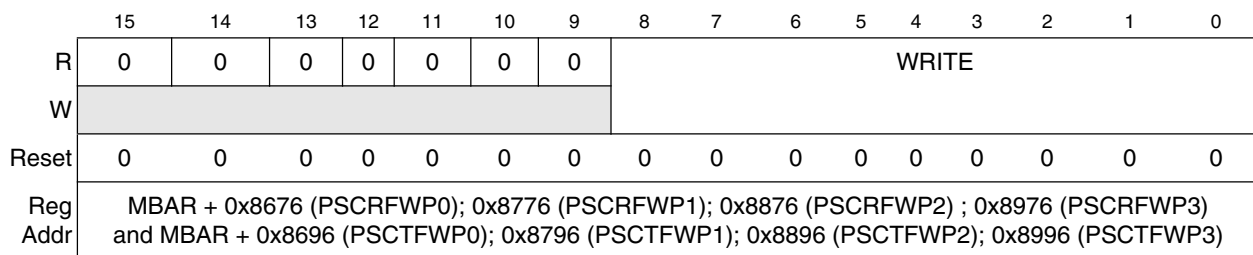


Figure 25-24. RxFIFO (PSCRFWP_n) and TxFIFO (PSCTFWP_n) Write Pointer

Table 25-34. PSCRFWP_n / PSCTFWP_n Field Descriptions

Bits	Name	Description
15–9	—	Reserved, should be cleared.
8–0	WRITE	Write pointer. This pointer indicates the next location to be written by the FIFO controller.

25.3.3.28 RxFIFO and TxFIFO Last Read Frame Pointer (PSCRLRFP_n, PSCTLRFP_n)

The last read frame pointer (LRFP) is a FIFO-maintained pointer that indicates the location of the start of the most recently read frame. The LRFP updates on FIFO read data accesses to a frame boundary. The LRFP can be read and written for debug purposes. For the frame retransmit function, the LRFP indicates which point to begin retransmission of the data frame. The LRFP carries validity information, however, there are no safeguards to prevent retransmitting data which has been overwritten. When FRMEN in the PSCRFCR and PSCTFCR is cleared, then this pointer has no meaning. The last read frame pointer is reset to zero, and non-functional bits of this pointer will always remain zero.

	15	14	13	12	11	10	9	8	7	6	5	4	3	2	1	0
R	0	0	0	0	0	0	0	LRFP								
W																
Reset	0	0	0	0	0	0	0	0	0	0	0	0	0	0	0	0
Reg Addr	MBAR + 0x867A (PSCRFWP0); 0x877A (PSCRFWP1); 0x887A (PSCRFWP2); 0x897A (PSCRFWP3) and MBAR + 0x869A (PSCTFWP0); 0x879A (PSCTFWP1); 0x889A (PSCTFWP2); 0x899A (PSCTFWP3)															

Figure 25-25. TxFIFO (PSCTLRFP_n) and RxFIFO (PSCRLRFP_n) Last Read Frame Pointer

Table 25-35. PSCRLRFP_n / PSCTLRFP_n Field Descriptions

Bits	Name	Description
15–9	—	Reserved, should be cleared.
8–0	LRFP	Last read frame pointer. FIFO-maintained pointer which indicates the start of the most recently read frame or the start of the frame currently in transmission. This register can be read and written for debug purposes. For the frame retransmit function, the LRFP indicates which point to begin retransmission of the data frame. There are no safeguards to prevent retransmitting data which has been overwritten. When the FRMEN bit in the PSCRFCR or PSCTFCR is not set, then this pointer has no meaning.

25.3.3.29 RxFIFO and TxFIFO Last Write Frame Pointer (PSCRLWFP_n, PSCTLWFP_n)

The last write frame pointer (LWFP) is a FIFO-maintained pointer that indicates the location of the start of the last frame written into the FIFO. The LWFP updates on FIFO write data accesses which create a frame boundary, whether that be by setting the WFR bit in the FIFO Control Register, or by feeding a frame bit in on the appropriate bus. The LWFP can be read and written for debug purposes. For the frame discard function, the LWFP divides the valid data region of the FIFO (the area in-between the read and write pointers) into framed and unframed data. Data between the LWFP and write pointer constitutes an incomplete frame, while data between the read pointer and the LWFP has been received as whole frames. When FRMEN is not set, then this pointer has no meaning. The last written frame pointer is reset to zero, and non-functional bits of this pointer will always remain zero.

	15	14	13	12	11	10	9	8	7	6	5	4	3	2	1	0
R	0	0	0	0	0	0	0	LWFP								
W																
Reset	0	0	0	0	0	0	0	0	0	0	0	0	0	0	0	0
Reg Addr	MBAR + 0x867E (PSCRFWP0); 0x877E (PSCRFWP1); 0x887E (PSCRFWP2); 0x897E (PSCRFWP3) and MBAR + 0x869E (PSCTFWP0); 0x879E (PSCTFWP1); 0x889E (PSCTFWP2); 0x899E (PSCTFWP3)															

Figure 25-26. TxFIFO (PSCTLWFP_n) and Rx FIFO (PSCRLWFP_n) Last Write Frame Pointer

Table 25-36. PSCRLWFP_n / PSCTLWFP_n Field Descriptions

Bits	Name	Description
15–9	—	Reserved, should be cleared.
8–0	LWFP	Last write frame pointer. FIFO-maintained pointer which indicates the start of the last frame written into the FIFO. This register can be read and written for debug purposes. For the frame retransmit function, the LRFP indicates which point to begin retransmission of the data frame. For the frame discard function, these bits divide the valid data region of the FIFO (the area between the read and write pointers) into framed and unframed data. Data between the Last Frame Pointer and the write pointer is data of an incomplete frame, while the data between the Last Frame Pointer and the read pointer has been received as whole frames. When the FRMEN bit in the PSCRFWR or PSCTFCR is not set, then this pointer has no meaning.

25.4 Functional Description

This section provides a complete functional description of the module.

25.4.1 UART Mode

The universal asynchronous receiver and transmitter (UART) is commonly used to send low speed data between devices. The term asynchronous is used because it is not necessary to send clocking information along with the data being sent. UART data transfer is character based and the character format is shown in the following figure.

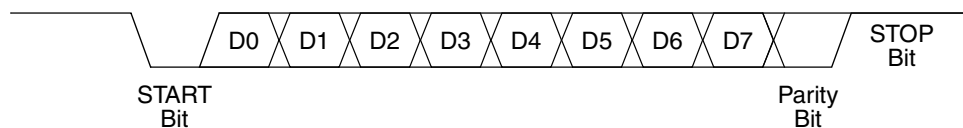


Figure 25-27. Character Format in UART Mode

In UART mode, modem control port PSC_nRTS and $\overline{\text{PSC}}_n\text{CTS}$ are controlled by the PSC.

If the PSC_nRTS is configured to show TxRTS by the control register PSCMR1 and PSCMR2, the PSC_nRTS is negated automatically by the transmitter. PSC_nRTS is negated when the transmitter is disabled and has finished sending data in the transmit buffer. PSC_nRTS is asserted by writing to the PSCOPSET register.

The $\overline{\text{PSC}}_n\text{CTS}$ input is used to control the transmitter. When $\overline{\text{PSC}}_n\text{CTS}$ is negated, to start new serial transmission is disabled until the PSC_nCTS is asserted again.

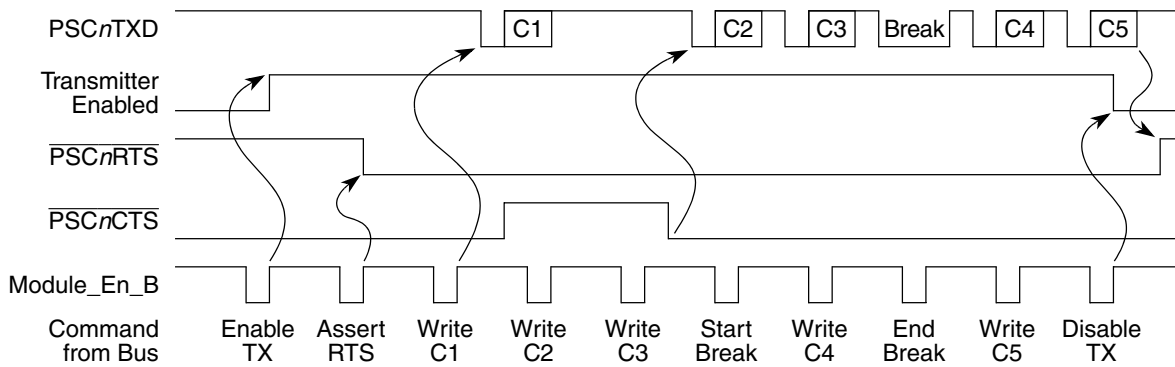


Figure 25-28. Modem Control and Transmitter

If PSCnRTS is programmed to be RxRTS, the PSCnRTS output is automatically asserted and negated by the receiver. The PSCnRTS is asserted when the receiver is ready and the number in the Rx FIFO is less than the threshold, and PSCnRTS is negated when the receiver is disabled or the Rx FIFO has more data than the threshold.

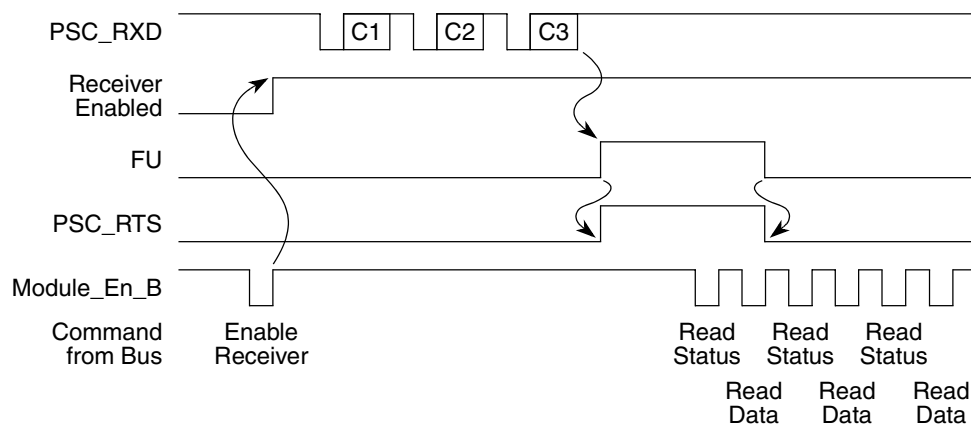


Figure 25-29. Modem Control and Receiver

25.4.2 Multidrop Mode

The UART can be programmed to operate in a wakeup mode for multidrop or multiprocessor applications. The mode is selected by setting bits 3 and 4 in mode register 1 (PSCMR1). This mode of operation allows the master station to be connected to several slave stations (a maximum of 256). In this mode, the master transmits an address character followed by a block of data characters targeted for one of the slave stations. The slave stations have their channel receivers disabled. However, they continuously monitor the data stream sent out by the master station. When an address character is sent by the master, the slave receiver channel notifies its respective CPU by setting the RxRDY bit in the USR and generating an interrupt (if programmed to do so). Each slave station CPU then compares the received address to its station address and enables its receiver if it wishes to receive the subsequent data characters or block of data from the master station. Slave stations not addressed continue to monitor the data stream for the next address character. Data fields in the data stream are separated by an address character. After a slave receives a block of data, the slave station's CPU disables the receiver and initiates the process again.

A transmitted character from the master station consists of a start bit, a programmed number of data bits, an address/data (A/D) bit flag, and a programmed number of stop bits. The A/D bit identifies the type of character being transmitted to the slave station. The character is interpreted as an address character if the

A/D bit is set or as a data character if the A/D bit is cleared. The polarity of the A/D bit is selected by programming bit 2 of PSCMR1. PSCMR1 should be programmed before enabling the transmitter and loading the corresponding data bits into the transmit buffer.

In multidrop mode, the receiver continuously monitors the received data stream, regardless of whether it is enabled or disabled. If the receiver is disabled, it sets the RxRDY bit and loads the character into the receiver holding register FIFO stack provided the received A/D bit is a 1 (address tag). The character is discarded if the received A/D bit is a 0 (data tag). If the receiver is enabled, all received characters are transferred to the CPU via the receiver holding register stack during read operations.

In either case, the data bits are loaded into the data portion of the stack while the A/D bit is loaded into the status portion of the stack normally used for a parity error (PSCSR bit 5). Framing error, overrun error, and break detection operate normally. The A/D bit takes the place of the parity bit; therefore, parity is neither calculated nor checked. Messages in this mode may still contain error detection and correction information. One way to provide error detection, if 8-bit characters are not required, is to use software to calculate parity and append it to the 5-, 6-, or 7-bit character.

25.4.3 Modem8 Mode

Figure 25-30 shows an example waveform in 8-bit modem mode.

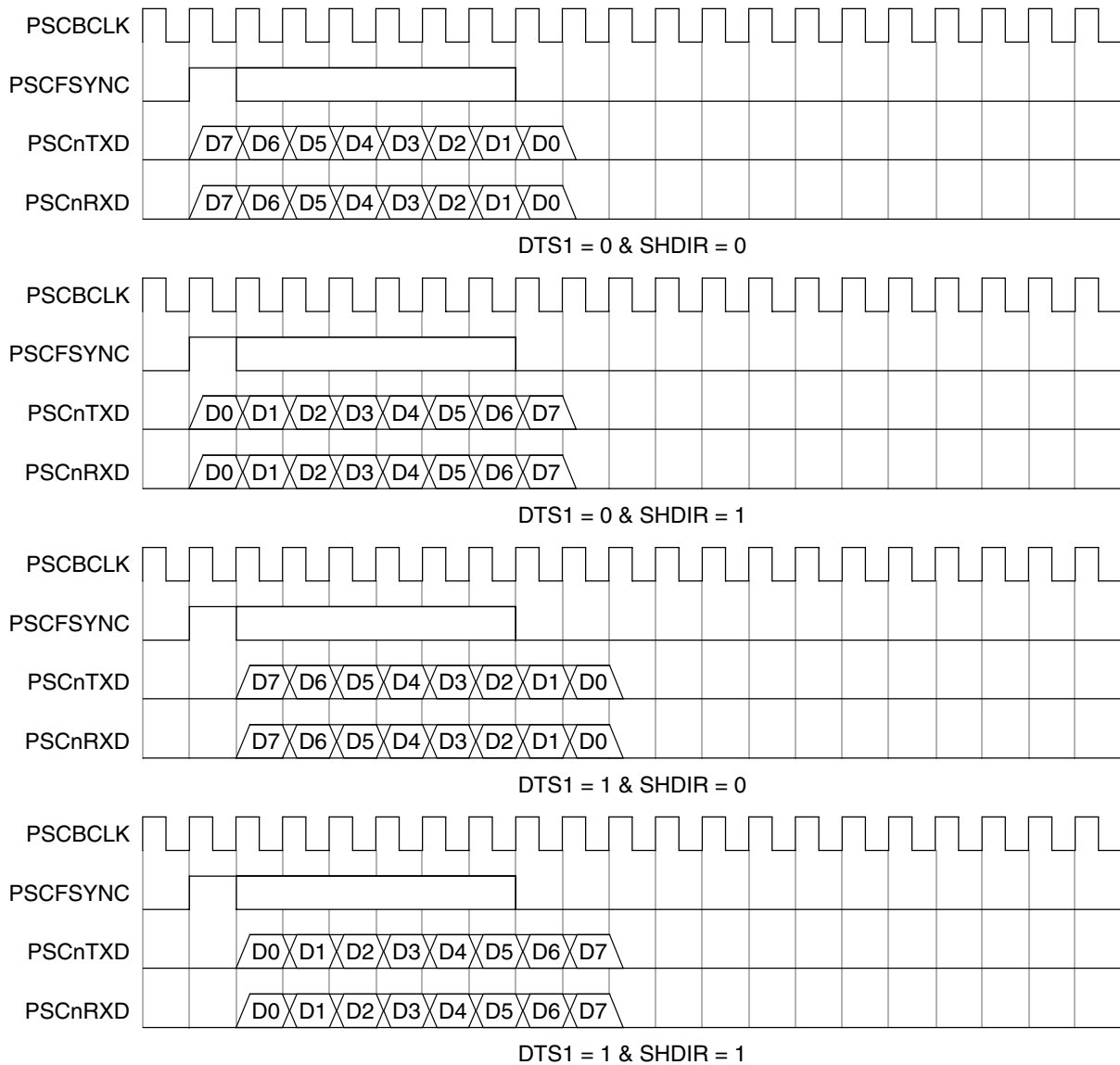


Figure 25-30. Waveform of Modem8 Mode

The transmitter starts to transmit the first bit at the rising edge of the PSCFSYNC or one clock after the rising edge of the PSCFSYNC, according to the value in the DTS1 bit in the control register PSCSICR. The SHDIR bit in the PSCSICR controls the order whether the LSB or the MSB is output first. The width of the frame sync pulse makes no difference.

Similarly the receiver starts to receive a sample at the rising edge of the PSCFSYNC or one clock after the rising edge.

The PSCFSYNC is sampled at the negative edge of the bit clock.

25.4.4 Modem16 Mode

Figure 25-31 shows an example of the waveform in 16-bit modem mode.

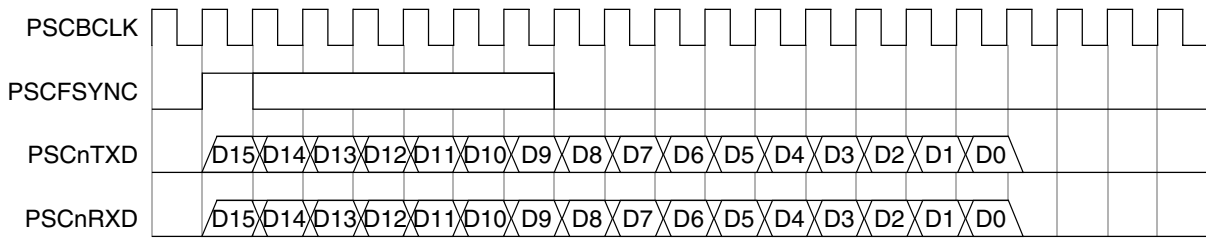


Figure 25-31. Waveform of Modem16 Mode

The function of this mode is the same as 8-bit modem mode except that the transmit/receive data length is 16 bit.

25.4.5 AC97 Mode

Figure 25-32 shows the waveform in AC97 modem mode.

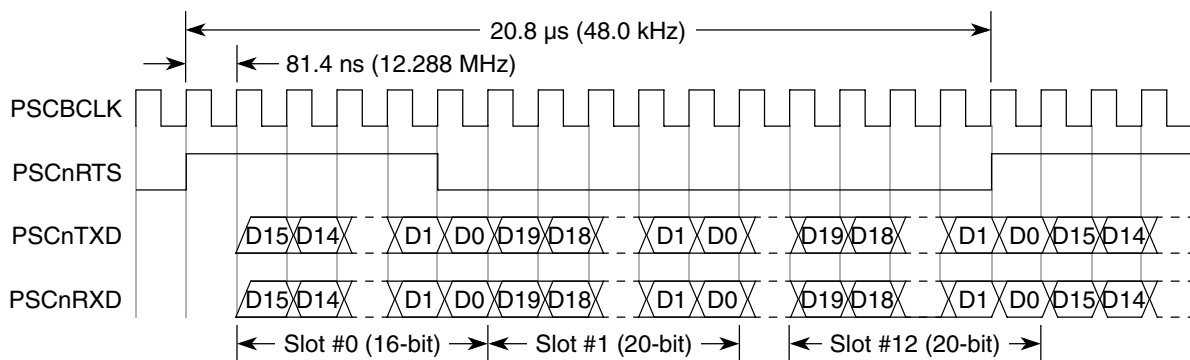


Figure 25-32. Waveform of AC97 Mode

In AC97 mode, the PSCBCLK is the bit clock input and, different from 8/16 bit modem mode, the PSCnRTS is the frame sync output. Figure 25-33 shows an example connection to a AC97 CODEC chip.

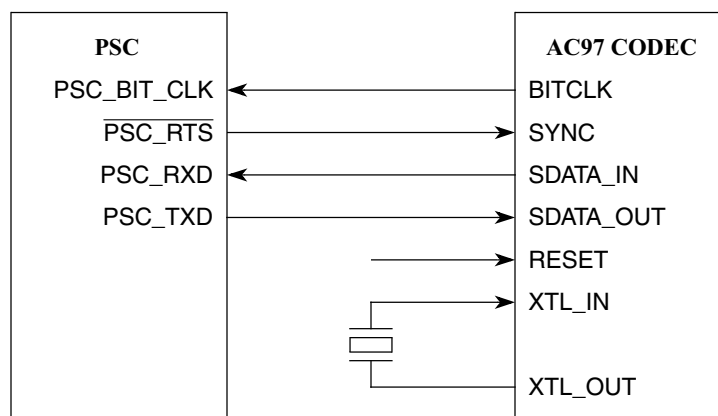


Figure 25-33. An Example Connection to AC97 CODEC

25.4.5.1 Transmitter

The transmitter starts to transmit the first bit at the one clock after the rising edge of the frame sync. The first slot, slot #0, is 16 bits wide while the other slot, from slot #1 to slot #12, is 20 bits wide. Because the transmit order is the MSB first, the SHDIR bit in the PSCSICR should be a value 0. The transmitter keeps the output low until the receiver detects the ‘CODEC ready’ condition, which is indicated by a high in the first bit of a new frame. Since receive data is sampled on the falling edge of the bit clock, the frame has already started when a ‘CODEC ready’ condition is detected by the receiver. For this reason, when the ‘CODEC ready’ condition is detected, a transmission starts at the next frame (one clock after the next frame sync). The transmitter stops transmission from the beginning of the frame in which the first bit of the receiver frame was detected to be low, i.e. CODEC is not ready. During transmission, the transmitter fills each of the 13 time slots of the AC97 frame with samples from the TxFIFO.

25.4.5.2 Receiver

The receiver starts to receive slot #0 data one bit clock after the rising edge of a frame sync. Until the receiver detects a ‘CODEC ready’ condition, no data is put into the RxFIFO for that frame. When a ‘CODEC ready’ is detected, the receiver starts loading the RxFIFO with the received time slot samples and continues to do so until a 0 is received in the first bit of a new frame.

Table 25-37. Slot Functions in AC97

Slot Number	Output (PSCnTXD)			Input (PSCnRXD)		
	Slot Name	Bit	Description	Slot Name	Bit	Description
Slot #0	Tag	15	Frame valid	Tag	15	CODEC ready
		14	Control register address valid		14	Slot #1 data valid
		13	Control register data valid		13	Slot #2 data valid
		12	Left playback PCM data valid		12	Slot #3 data valid
		11	Right playback PCM data valid		11	Slot #4 data valid
Slot #1	Control address	19	Read/Write=1/0	Status address	19	0
		18:12	Control register number		18:12	Control register number
Slot #2	Control data	19:4	Write data. 0 in read	Status data	19:4	Control register read data
Slot #3	Left PCM playback	19:0	PCM audio data left	Left PCM record	19:0	PCM record data left
Slot #4	Right PCM playback	19:0	PCM audio data right	Right PCM record	19:0	PCM record data right

25.4.5.3 Low Power Mode

PSC monitors the first three timeslots of each transmitter frame in order to detect the power down condition for the AC97 digital interface. Detection of the power down condition is done as follows:

1. The first three bits of slot #0 must be 1 indicating that this transmitter frame is valid, and that slots #1 and #2 are valid.
2. Slot #1 contains the address of the power down register (26 hex)
3. Slot #2 contains a 1 in the fourth bit (bit 12/PR4 in power down register)

Leaving low power mode can be done via either a warm or cold reset (Figure 25-34). The CPU performs a warm reset by writing a 1 to the AWR bit of SICR register for a minimum of 1 μ s. The AWR bit forces a 1 on PSCnRTS, which is used as the frame sync output in AC97 mode. The pulse width of warm or cold reset should be dependent on AC97 codec chip.

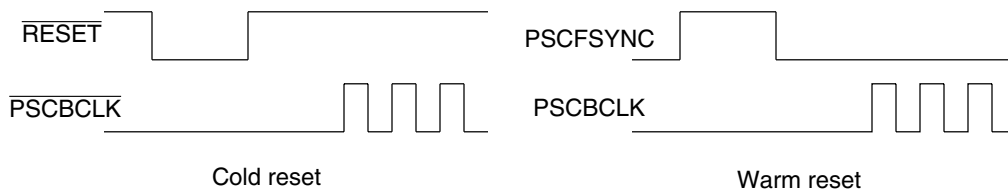


Figure 25-34. AC97 Cold and Warm Reset

25.4.6 SIR Mode

The data format in SIR mode is similar to that of UART mode. Each data consists of a start bit, 8 bit data, and a stop bit. Each bit of data is encoded so that a 0 is encoded as 3/16 of the bit time pulse (or 1.6 μ s pulse), and a 1 is encoded as no pulse. Similarly, the received serial pulse is decoded as a 0, and an absence of a pulse is decoded as a 1. Figure 25-35 is an example of data stream of UART and SIR.

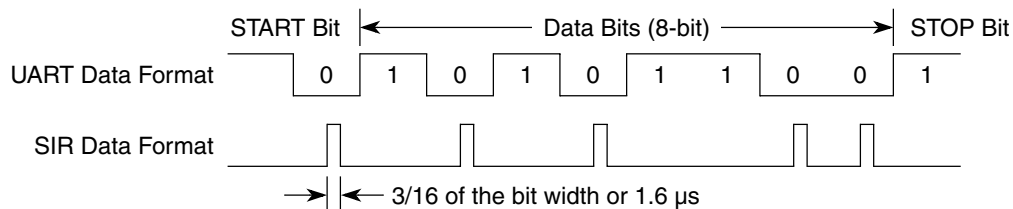


Figure 25-35. Data Format in SIR Mode

25.4.7 MIR Mode

25.4.7.1 Data Format

The encoded pulse width of data in MIR mode is 1/4 of the bit duration and the transfer is synchronous.

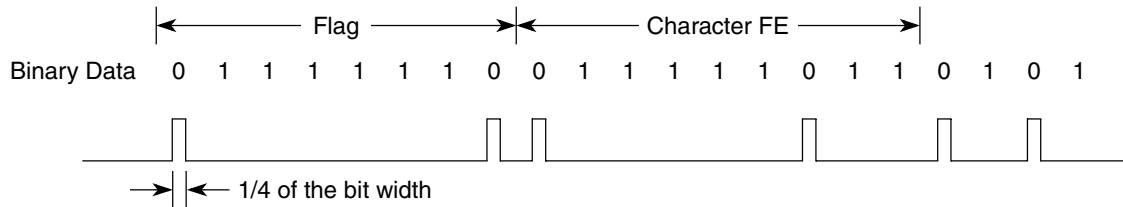


Figure 25-36. Data Format in MIR Mode

The packet format is similar to HDLC packet format

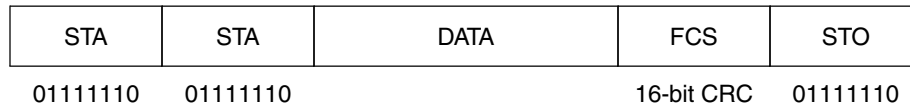


Figure 25-37. MIR Packet Format

The STA represents the start of the frame and the STO represents the end of the frame. Both of STA and STO are defined as 01111110 in binary format. In the transmitted data and FCS, a 0 is inserted after 5 consecutive 1s. The FCS is a 16-bit CRC defined as

$$\text{CRC}(x) = x^{16} + x^{12} + x^5 + 1$$

25.4.7.2 Serial Interaction Pulse (SIP)

The MIR and FIR system must emit SIP at least once per 500ms while the connection lasts, in order to inform slower systems (SIR) not to interfere with the link. If the SIPEN bit in IRCR1 is high, the transmitter automatically appends one SIP after every frame. SIP also can be sent by writing 1 to SIPREQ bit in IRCR2. If SIPREQ is high and the transmitter is in an idle state, one SIP is sent and the SIPREQ bit is automatically cleared. [Figure 25-38](#) illustrates how SIP is defined.

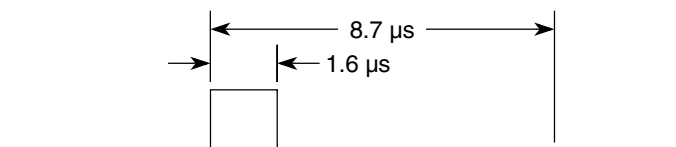


Figure 25-38. Serial Interaction Pulse (SIP)

25.4.8 FIR Mode

25.4.8.1 Data Format

The data field is 4 PPM encoded by the transmitter. Data encoding is done LSB first. Each chip duration is 125 ns.

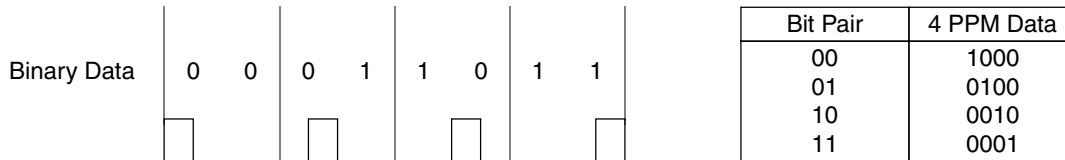


Figure 25-39. Data Format in FIR Mode

Figure 25-40 shows the packet format.

Figure 25-40. FIR Mode Packet Format

PA	STA	DATA	FCS	STO
----	-----	------	-----	-----

The preamble (PA) field is used by a receiver to establish phase lock. After receiving the start flag (STA), the receiver begins to interpret the 4 PPM encoded symbols. The receiver continues receiving until it receives the stop flag (STO). The FCS is a 32-bit CRC defined as:

$$CRC(x) = x^{32} + x^{26} + x^{23} + x^{22} + x^{16} + x^{12} + x^{11} + x^{10} + x^8 + x^7 + x^5 + x^4 + x^2 + x + 1$$

The chip patterns for PA, STA, and STO are defined in Table 25-38.

Table 25-38. Chip Patterns for FIR Fields

PA	1000	0000	1010	1000	(16 times repeated)			
STA	0000	1100	0000	1100	0110	0000	0110	0000
STO	0000	1100	0000	1100	0000	0110	0000	0110
	first chip				last chip			

25.4.9 Looping Modes

The UART can be configured to operate in various looping modes as shown in Figure 25-41. These modes are useful for local and remote system diagnostic functions, and can be used in modem mode and IrDA mode as well as UART mode. The modes are described in the following paragraphs.

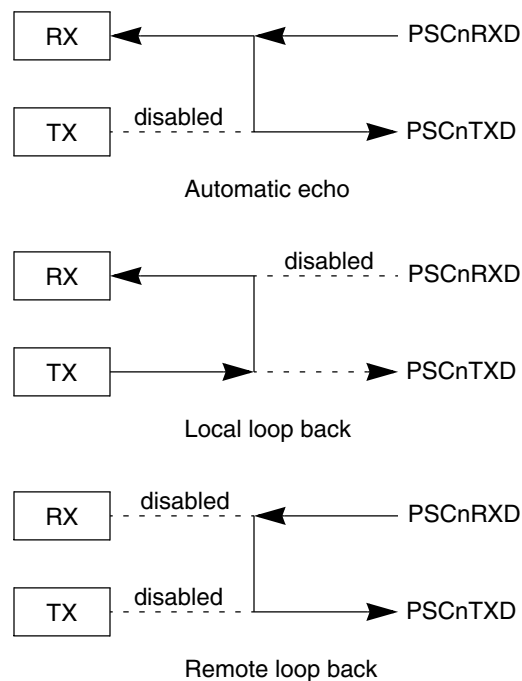


Figure 25-41. Looping Modes Functional Diagram

The UART's transmitter and receiver should both be disabled when switching between modes. The selected mode is activated immediately upon mode selection, regardless of whether a character is being received or transmitted.

25.4.9.1 Automatic Echo Mode

In the automatic echo mode, the UART automatically retransmits the received data on a bit-by-bit basis. The local CPU-to-receiver communication continues normally, but the CPU-to-transmitter link is disabled. While in this mode, received data is clocked on the receiver clock and retransmitted on TxD. The receiver must be enabled, but the transmitter need not be enabled.

Because the transmitter is not active, the TxEMP and TxRDY bits in USR are inactive, and data is transmitted as it is received. Received parity is checked, but not recalculated for transmission. Character framing is also checked, but stop bits are transmitted as received. A received break is echoed as received until the next valid start bit is detected.

25.4.9.2 Local Loopback Mode

TxD is internally connected to RxD in the local loopback mode. This is useful for testing the operation of a local UART module channel by sending data to the transmitter and checking data assembled by the receiver. In this manner, correct channel operations can be assured. Also, both transmitter and CPU-to-receiver communications continue normally in this mode. While in this mode, the RxD input data is ignored, the TxD is held marking, and the receiver is clocked by the transmitter clock. The transmitter must be enabled, but the receiver need not be enabled.

25.4.9.3 Remote Loopback Mode

In this mode, the channel automatically transmits received data on the TxD output on a bit-by-bit basis. The local CPU-to-transmitter link is disabled. This mode is useful in testing receiver and transmitter operation of a remote channel. While in this mode, the receiver clock is used for the transmitter.

Because the receiver is not active, received data cannot be read by the CPU, and the error status conditions are inactive. Received parity is not checked and is not recalculated for transmission. Stop bits are transmitted as received. A received break is echoed as received until the next valid start bit is detected.

25.5 Resets

25.5.1 General

This section describes how to reset the device. CR refers to PSCCR.

Table 25-39. Reset Summary

Reset	Priority	Source	Characteristics
Reset	High	Input port	Hardware reset
CRSRX	Low	Command to PSCCR	Reset receiver
CRSTX	Low	Command to PSCCR	Reset transmitter
CRSES	Low	Command to PSCCR	Reset error status

25.5.2 Description of Reset Operation

25.5.2.1 Reset

When there is a reset, the PSC module goes to its initial state.

25.5.2.2 CRSRX

Writing the RESET RECEIVER command to the command control register PSCCR resets the receiver.

25.5.2.3 CRSTX

Writing the RESET TRANSMITTER command to the command control register PSCCR resets the transmitter.

25.5.2.4 CRSES

Writing the RESET ERROR STATUS command to the command control register PSCCR resets the error status held in the status register PSCSR.

25.6 Interrupts

This section describes interrupts originated by this module.

Table 25-40. Interrupt Summary

Interrupt	Mode	Source	Description
Processor Interrupt	UART	IPC	The state of the modem control input ports had changed and a certain time has passed.
		DB	Detected delta break. The input port RXD has kept low for a certain time.
		RXRDY	There is one or more data in the RxFIFO
		FU	The number in the RxFIFO is more than the threshold
		TXRDY	The number in the TxFIFO is less than the threshold
	modem IrDA	RXRDY	There is one or more data in the RxFIFO
		FU	The number in the RxFIFO is more than the threshold
		TXRDY	The number in the TxFIFO is less than the threshold

25.6.1 Description of Interrupt Operation

25.6.1.1 Processor Interrupt

This is the interrupt to the processor. There are five conditions to assert this interrupt:

- The IPC interrupt condition is met if the modem control input port ($\overline{PSCnCTS}$) is changed and lasts for a certain time. This interrupt is usually used in UART mode though it works under all modes.
- The DB condition is met if the $PSCnRXD$ is held low for more than a character duration in UART and SIR mode.
- The RxRDY is from PSCISR[9]. It is asserted when the alarm of the RXFIFO is asserted ($PSCIMR1[6] = 1$) or there is at least one data in RXFIFO ($PSCMR1[6] = 0$).
- The TxRDY is different from `cb_req_tx`. It is asserted when
 - the transmitter is enabled
 - the number of the TXFIFO is less than or equal to the threshold TFAR
 - the corresponding PSCIMR bit, $PSCIMR[TxRDY(=8)]$, is high and enabled, i.e. when $PSCISR[8] (=SR[10]=(count \leq alarm)) \& PSCIMR[8] \& ENTX$
- The DEOF is from PSCISR[7]. It is asserted when there is an EOF in the RXFIFO.

25.7 Software Environment

25.7.1 General

This section provides information pertinent to programming the device.

25.7.2 Configuration

25.7.2.1 UART Mode

The following is a sample initialization sequence for UART mode.

Table 25-41. Sample Initialization Sequence for UART Mode

Step No.	Register	Value	Details	Meaning
1	PSCSICR	08	RxDCD=1	DCD input effects receiver
			SIM[2:0]=000	UART mode
2	PSCCSR	DD	RCS[3:0]=1101	Receiver baud rate is made from PSC timer
			TCS[3:0]=1101	Transmitter baud rate is made from PSC timer
3	PSCCTUR	00	CT[15:0]=108 (dec)	Divide sys_clk by 108. If f(sys_clk) = 33.3333 MHz, baud rate is 9600 bps.
	PSCCTLR	6C		
4	PSCCR	20	MISC=010	Reset receiver and Rx FIFO
		30	MISC=011	Reset transmitter and Tx FIFO
		40	MISC=100	Reset all error status
		50	MISC=101	Reset break change interrupt
		10	MISC=001	Reset MR pointer
5	PSCIMR	8700	IPC=1	Enable input port change interrupt
			DB=1	Enable delta break interrupt
			RxRDY or FU=1	Enable receiver interrupt/request
			TxRDY=1	Enable transmitter interrupt/request
6	PSCACR	03	IEC1=1	Enable state change of DCD
			IEC0=1	Enable state change of PSCnCTS
7	PSCMR1	23	RxRTS=0	Receiver has no effect on $\overline{\text{PSCnRTS}}$
			RxIRQ=0	RX interrupt is from RxRDY (one byte)
			ERR=1 (fixed)	Block error mode
			PM[1:0]=00, PMT=0	even parity
			BC[1:0]=11	8 bit
8	PSCMR2	37	CM[1:0]=00	Normal mode (not test mode)
			TxRTS=1	$\overline{\text{PSCnRTS}}$ is controlled by transmitter
			TxCTS=1	PSCnCTS controls transmitter
			SB[3:0]=0111	1 stop bit

Table 25-41. Sample Initialization Sequence for UART Mode (Continued)

Step No.	Register	Value	Details	Meaning
9	PSCRF CR	0F	WRITE TAG = 00	Not EOF
			FRMEN=1	Enable frame mode
			GR[2:0]=100	Granularity is 4 byte
10	PSCTF CR	0F	WRITE TAG = 00	Not EOF
			FRMEN=1	Enable frame mode
			GR[2:0]=100	Granularity is 16 byte
11	PSCRFAR	00F0	ALARM[8:0]=0F0	Request is asserted if # of data >= 240
12	PSCTFAR	00F0	ALARM[8:0]=0F0	Request is asserted if # of empty >= 240
13	PSCOPSET	01	RES=0	Bit is always 0.
			RTS=1	Assert RTS ($\overline{PSCnRTS}=0$)
14	PSCCR	05	TC=01	Enable transmitter
			RC=01	Enable receiver

25.7.2.2 Modem8 Mode

Applying the clock to the PSCBCLK input and programming the control registers are required to initialize in modem8 mode. The following table describes a sample initialization sequence.

Table 25-42. Sample Initialization Sequence for Modem8 Mode

Step No.	Register	Value	Details	Meaning
1	PSCSICR	01	DTS1=0	The 1st bit is in the rising edge of sync
			SHDIR=0	MSB first
			SIM[2:0]=001	modem8 mode
2	PSCCR	20	MISC=010	Reset receiver and RxFIFO
		30	MISC=011	Reset transmitter and TxFIFO
		40	MISC=100	Reset all error status
3	PSCIMR	0300	IPC=0	Disable input port change interrupt
			RxRDY or FU=1	Enable receiver interrupt/request
			TxRDY=1	Enable transmitter interrupt/request
4	PSCRFCR	0F	WRITE TAG=00	Not EOF
			FRMEN=1	Enable frame mode
			GR[2:0]=100	Granularity is 4 byte
5	PSCTFCR	0F	WRITE TAG=00	Not EOF
			FRMEN=1	Enable frame mode
			GR[2:0]=100	Granularity is 16 byte
6	PSCRFCR	00F0	ALARM[8:0]=0F0	Request is asserted if # of data >= 240
7	PSCTFCR	00F0	ALARM[8:0]=0F0	Request is asserted if # of empty >= 240
8	PSCCR	05	TC=01	Enable transmitter
			RC=01	Enable receiver

25.7.2.3 Modem16 Mode

The configuration sequence in modem16 mode is almost the same as in modem8 mode except that the first write value to the SIM[2:0] in PSCSICR should be 3'b010.

25.7.2.4 AC97 Mode

Applying a 12.288 MHz clock to the PSCBCLK input and programming the control registers are required to initialize in AC97 mode. The following table describes a sample sequence.

Table 25-43. A Sample Initialization Sequence for AC97 Mode

Step No.	Register	Value	Details	Meaning
1	PSCSICR	03	ACRB=1	Not cold reset
			AWR=0	Not warm reset
			SIM[2:0]=011	AC97 mode
2	PSCCR	20	MISC=010	Reset receiver and RxFIFO
		30	MISC=011	Reset transmitter and TxFIFO
		40	MISC=100	Reset all error status
3	PSCIMR	0300	IPC=0	Disable input port change interrupt
			RxRDY or FU=1	Enable receiver interrupt/request
			TxRDY=1	Enable transmitter interrupt/request
4	PSCRFCR	0F	WRITE TAG = 00	Not EOF
			FRMEN=1	Enable frame mode
			GR[2:0]=100	Granularity is 4 byte
5	PSCTFCR	0F	WRITE TAG = 00	Not EOF
			FRMEN=1	Enable frame mode
			GR[2:0]=100	Granularity is 16 byte
6	PSCRFCR	00F0	ALARM[8:0]=0F0	Request is asserted if # of data >= 240
7	PSCTFCR	00F0	ALARM[8:0]=0F0	Request is asserted if # of empty >= 240
8	PSCCR	05	TC=01	Enable transmitter
			RC=01	Enable receiver

25.7.2.5 SIR Mode

Here is a sample configuration sequence in SIR mode.

Table 25-44. A Sample Initialization Sequence for SIR Mode

Step No.	Register	Value	Details	Meaning
1	PSCSICR	04	SIM[2:0]=100	SIR mode
2	PSCCSR	DD	RCS[3:0]=1101	Receiver baud rate is made from PSC timer
			TCS[3:0]=1101	Transmitter baud rate is made from PSC timer
3	PSCCTUR	00	CT[15:0]=108 (dec)	Divide sys_clk by 108. If f(sys_clk) = 33.3333 MHz, baud rate is 9600 bps.
	PSCCTLR	6C		

Table 25-44. A Sample Initialization Sequence for SIR Mode (Continued)

Step No.	Register	Value	Details	Meaning	
4	PSCCR	20	MISC=010	Reset receiver and RxFIFO	
			30	MISC=011	Reset transmitter and TxFIFO
			40	MISC=100	Reset all error status
			10	MISC=001	Reset MR pointer
5	PSCIMR	0300	IPC=0	Disable input port change interrupt	
			DB=0	Disable delta break interrupt	
			RxRDY or FU=1	Enable receiver interrupt/request	
			TxRDY=1	Enable transmitter interrupt/request	
6	PSCACR	00	IEC1=0	Disable state change of DCD	
			IEC0=0	Disable state change of PSCnCTS	
7	PSCMR1	33	RxRTS=0	Receiver has no effect on $\overline{\text{PSCnRTS}}$	
			RxIRQ=0	Receiver interrupt is from RxRDY (one byte)	
			ERR=1 (fixed)	Block error mode	
			PM[1:0]=10, PMT=0	No parity	
			BC[1:0]=11	8 bit	
8	PSCMR2	07	CM[1:0]=00	Normal mode (not test mode)	
			TxRTS=0	$\overline{\text{PSCnRTS}}$ is not controlled by transmitter	
			TxCTS=0	PSCnCTS does not control transmitter	
			SB[3:0]=0111	1 stop bit	
9	PSCIRCR1	00	FD=0	Receiver is disabled while transmitting	
			SPUL=1	Pulse width is 1.6 us	
10	PSCIRSTR	36	IRSTIM=54 (dec)	Counter value for 1.6 us pulse	
11	PSCRFCR	0F	WRITE TAG = 00	Not EOF	
			FRMEN=1	Enable frame mode	
			GR[2:0]=100	Granularity is 4 byte	
12	PSCTFCR	0F	WRITE TAG = 00	Not EOF	
			FRMEN=1	Enable frame mode	
			GR[2:0]=100	Granularity is 16 byte	
13	PSCRFCR	00F0	ALARM[8:0]=0F0	Request is asserted if # of data \geq 240	
14	PSCTFCR	00F0	ALARM[8:0]=0F0	Request is asserted if # of empty \geq 240	
15	PSCCR	04	TC=01	Enable transmitter	
			RC=00	Receiver remains at disabled state.	

25.7.2.6 MIR Mode

Applying clock to the PSCBCLK input and programming the control registers are required to initialize in MIR mode. Here is a sample sequence when the input frequency of PSCBCLK is 18.432 MHz. (1.152 MHz x 16).

Table 25-45. A Sample Initialization Sequence for MIR Mode

Step No.	Register	Value	Details	Meaning
1	PSCSICR	05	SIM[2:0]=101	MIR mode
2	PSCIRMGD	0F	FREQ=0	1.152 Mbps mode
			M_FDIV[4:0]=01111	Frequency divide ratio is 16. So f(PSCBCLK) should be 18.432 MHz.
3	PSCCR	20	MISC=010	Reset receiver and Rx FIFO
		30	MISC=011	Reset transmitter and Tx FIFO
		40	MISC=100	Reset all error status
		10	MISC=001	Reset MR pointer
4	PSCMR1	73	RxIRQ=1	receiver interrupt is from FU (over threshold)
5	PSCIMR	0380	IPC=0	Disable input port change interrupt
			RxRDY or FU=1	Enable receiver interrupt/request
			TxRDY=1	Enable transmitter interrupt/request
			DEOF=1	Enable DEOF interrupt/request
6	PSCIRCR1	02	FD=0	Receiver is disabled while transmitting
			SIPEN=1	Send SIP after every frame
7	PSCIRCR2	00	SIPREQ=0	SIP is not requested to send now
			ABORT=0	Not send abort sequence now
			NXTEOF=0	Next write is not EOF
8	PSCRFCR	0F	WRITE TAG = 00	Not EOF
			FRMEN=1	Enable frame mode
			GR[2:0]=100	Granularity is 4 byte
9	PSCTFCR	0F	WRITE TAG = 00	Not EOF
			FRMEN=1	Enable frame mode
			GR[2:0]=100	Granularity is 16 byte
10	PSCR FAR	00F0	ALARM[8:0]=0F0	Request is asserted if # of data >= 240
11	PSCT FAR	00F0	ALARM[8:0]=0F0	Request is asserted if # of empty >= 240
12	PSCCR	04	TC=01	Enable transmitter
			RC=00	receiver remains at disabled state.

25.7.2.7 FIR Mode

Applying the clock to the PSCBCLK input and programming the control registers are required to initialize in FIR mode. Here is a sample sequence when the input frequency of PSCBCLK is 64 MHz. Steps 3 to 11 are the same as in MIR mode.

Table 25-46. A Sample Initialization Sequence for FIR Mode

Step No.	Register	Value	Details	Meaning
1	PSCSICR	06	SIM[2:0]=110	FIR mode
2	PSCIRFFD	0F	F_FDIV[3:0]=0111	Frequency divide ratio is 8. So f(PSCBCLK) should be 64 MHz.
3	PSCCR	20	MISC=010	Reset receiver and RxFIFO
			MISC=011	Reset transmitter and TxFIFO
			MISC=100	Reset all error status
			MISC=001	Reset MR pointer
4	PSCMR1	73	RxIRQ=1	Receiver interrupt is from FU (over threshold)
5	PSCIMR	0380	IPC=0	Disable input port change interrupt
			RxRDY or FU=1	Enable receiver interrupt/request
			TxRDY=1	Enable transmitter interrupt/request
			DEOF=1	Enable DEOF interrupt/request
6	PSCIRCR1	02	FD=0	receiver is disabled while transmitting
			SIPEN=1	Send SIP after every frame
7	PSCIRCR2	00	SIPREQ=0	SIP is not requested to send now
			ABORT=0	Not send abort sequence now
			NXTEOF=0	Next write is not EOF
8	PSCRFCR	0F	WRITE TAG = 00	Not EOF
			FRMEN=1	Enable frame mode
			GR[2:0]=100	Granularity is 4 byte
9	PSCTFCR	0F	WRITE TAG = 00	Not EOF
			FRMEN=1	Enable frame mode
			GR[2:0]=100	Granularity is 16 byte
10	PSCRFCR	00F0	ALARM[8:0]=0F0	Request is asserted if # of data >= 240
11	PSCTFCR	00F0	ALARM[8:0]=0F0	Request is asserted if # of empty >= 240
12	PSCCR	04	TC=01	Enable transmitter
			RC=00	Receiver remains at disabled state.

25.7.3 Programming

In any mode, after the configuration sequence, enabling the transmitter and writing data to the transmit buffer sends serial data via the PSCnTXD port. Enabling the receiver makes the receiver ready and if there is incoming data to PSCnRXD, the receiver decodes the input and stores the data in the FIFO.

25.7.3.1 MIR Mode

After initialization, writing data to the transmit buffer and enabling the transmitter sends data via the PSCnTXD port. The STA, CRC (option), and STO are automatically added.

After initialization and after enabling the receiver, the receiver is ready to receive data. While receiving serial data, the receiver will eliminate STA and STO, and these flags are not written into the FIFO. After receiving enough data, PSC asserts request/interrupt to prompt the processor to read the received data.

25.7.3.2 FIR Mode

After initialization, writing data to the TB and enabling the transmitter sends data via the PSCnTXD port. The PA, STA, CRC (option), and STO are automatically added.

After initialization and after enabling the receiver, the receiver is ready to receive data. While receiving serial data, the receiver will eliminate PA, STA, and STO, and these flags are not written into the FIFO. After receiving enough data, PSC asserts request/interrupt to prompt the processor to read the received data.



THIS PAGE INTENTIONALLY LEFT BLANK

Chapter 26

I²C Interface

26.1 Introduction

This chapter describes the I²C™ module, including I²C protocol, clock synchronization, and I²C programming model registers. It also provides extensive programming examples.

26.1.1 Block Diagram

A block diagram of the I²C module is shown in [Figure 26-1](#).

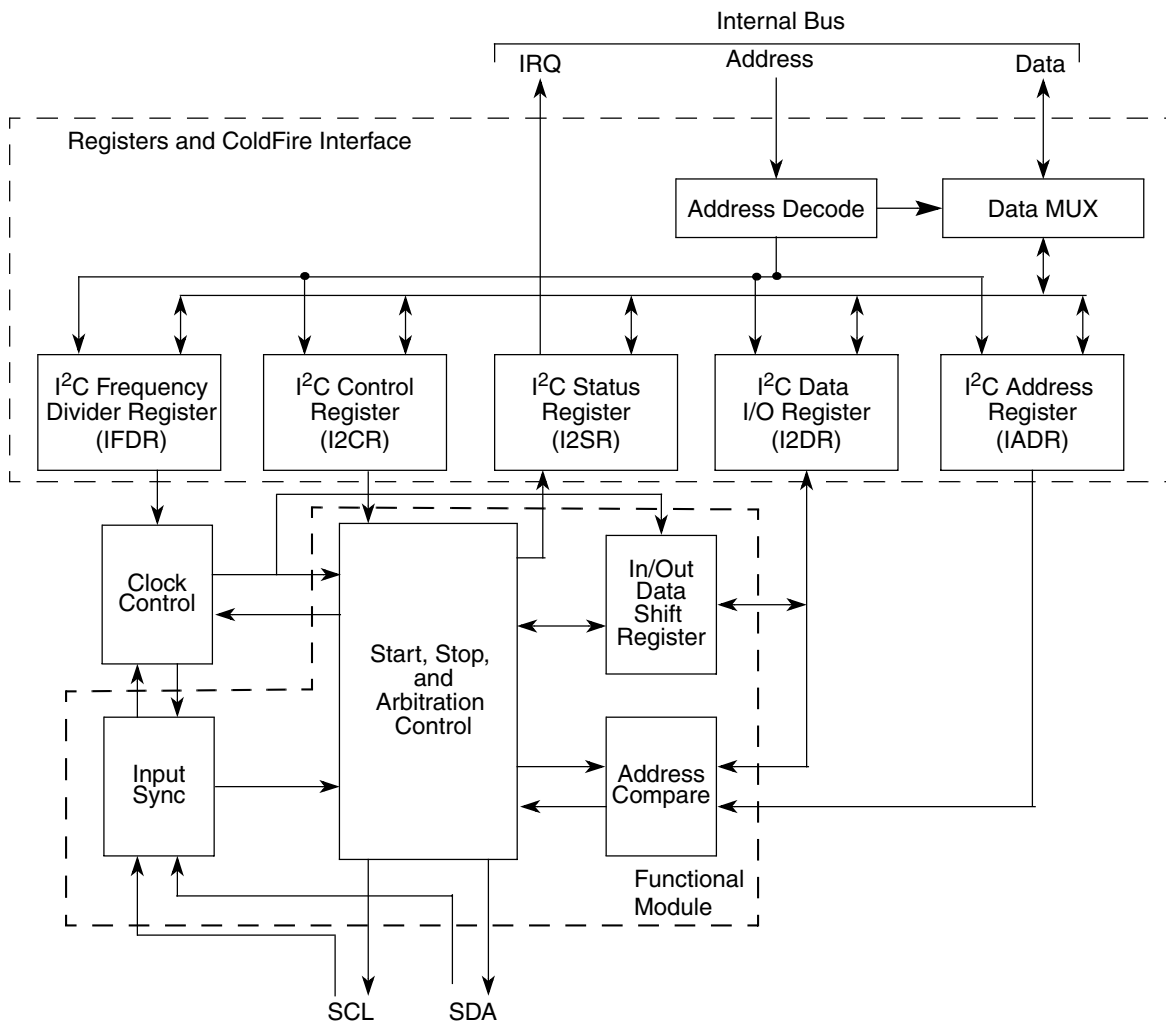


Figure 26-1. I²C Block Diagram

26.1.2 I²C Overview

I²C is a two-wire, bidirectional serial bus which provides a simple, efficient method of data exchange between devices. This two-wire bus minimizes the interconnection between the devices.

The interface is designed to operate up to 100 kbps with maximum bus loading and timing. The device is capable of operating at higher baud rates, up to a maximum of clock/20, with reduced bus loading. The maximum communication length and the number of devices that can be connected are limited by a maximum bus capacitance of 400 pF.

This bus is suitable for applications requiring occasional communications over a short distance between a number of devices. It also provides flexibility, allowing additional devices to be connected to the bus for further expansion and system development.

I²C is a true multi-master bus including collision detection and arbitration to prevent data corruption if two or more masters attempt to control the bus simultaneously. This feature provides the capability for complex applications with multi-processor control. It may also be used for rapid testing and alignment of end products via external connections to an assembly-line computer.

The MCF547x contains one I²C interface, with a dedicated set of pins.

26.1.3 Features

The I²C module has the following key features:

- Compatible with I²C bus standard
- Multi-master operation
- Software programmable for one of 50 different serial clock frequencies
- Software selectable acknowledge bit
- Interrupt driven byte-by-byte data transfer
- Arbitration lost interrupt with automatic mode switching from master to slave
- Calling address identification interrupt
- Start and stop signal generation/detection
- Repeated start signal generation
- Acknowledge bit generation/detection
- Bus busy detection

26.2 External Signals

26.2.1 Signal Description

SCL—I²C clock I/O port.

SDA—I²C data I/O port.

26.3 Memory Map/Register Definition

26.3.1 I²C Register Map

Table 26-1. I²C Memory Map

MBAR Offset	Name	Byte0	Byte1	Byte2	Byte3	Access
0x8F00	I ² C Address Register	I2ADR	—			R/W
0x8F04	I ² C Frequency Divider Register	I2FDR	—			R/W
0x8F08	I ² C Control Register	I2CR	—			R/W
0x8F0C	I ² C Status Register	I2SR	—			R/W
0x8F10	I ² C Data I/O Register	I2DR	—			R/W
0x8F14 – 0x8F1C	Reserved					
0x8F20	I ² C Interrupt Control Register	I2ICR	—			R/W

26.3.2 Register Descriptions

There are five registers used in the I²C interface with the interrupt control register. The internal configuration of these registers is discussed in the following paragraphs.

26.3.2.1 I²C Address Register (I2ADR)

The I2ADR holds the address the I²C responds to when addressed as a slave. Note that it is not the address sent on the bus during the address transfer.



Figure 26-2. I²C Address Register (I2ADR)

Table 26-2. I2ADR Field Descriptions

Bits	Name	Description
7–1	ADR	Slave address. Contains the specific slave address to be used by the I2C module. Note: This is not the address sent on the bus during the address transfer.
0	—	Reserved, should be cleared.

26.3.2.2 I²C Frequency Divider Register (I2FDR)

The I2FDR, shown in [Figure 26-3](#), provides a programmable prescaler to configure the I²C clock for bit-rate selection.

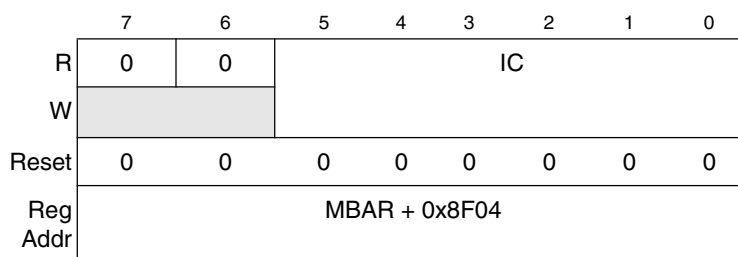


Figure 26-3. I²C Frequency Divider Register (I2FDR)

Table 26-3. I2FDR Field Descriptions

Bits	Name	Description
7–6	—	Reserved, should be cleared.

Table 26-3. I2FDR Field Descriptions

Bits	Name	Description																																																																																																																																								
5_0	IC	<p>I²C clock rate. Prescales the clock for bit-rate selection. Due to potentially slow SCL and SDA rise and fall times, bus signals are sampled at the prescaler frequency. The serial bit clock frequency is equal to the system clock divided by the divider shown below.</p> <table border="1"> <thead> <tr> <th>IC</th> <th>Divider</th> <th>IC</th> <th>Divider</th> <th>IC</th> <th>Divider</th> <th>IC</th> <th>Divider</th> </tr> </thead> <tbody> <tr><td>0x00</td><td>28</td><td>0x10</td><td>288</td><td>0x20</td><td>20</td><td>0x30</td><td>160</td></tr> <tr><td>0x01</td><td>30</td><td>0x11</td><td>320</td><td>0x21</td><td>22</td><td>0x31</td><td>192</td></tr> <tr><td>0x02</td><td>34</td><td>0x12</td><td>384</td><td>0x22</td><td>24</td><td>0x32</td><td>224</td></tr> <tr><td>0x03</td><td>40</td><td>0x13</td><td>480</td><td>0x23</td><td>26</td><td>0x33</td><td>256</td></tr> <tr><td>0x04</td><td>44</td><td>0x14</td><td>576</td><td>0x24</td><td>28</td><td>0x34</td><td>320</td></tr> <tr><td>0x05</td><td>48</td><td>0x15</td><td>640</td><td>0x25</td><td>32</td><td>0x35</td><td>384</td></tr> <tr><td>0x06</td><td>56</td><td>0x16</td><td>768</td><td>0x26</td><td>36</td><td>0x36</td><td>448</td></tr> <tr><td>0x07</td><td>68</td><td>0x17</td><td>960</td><td>0x27</td><td>40</td><td>0x37</td><td>512</td></tr> <tr><td>0x08</td><td>80</td><td>0x18</td><td>1152</td><td>0x28</td><td>48</td><td>0x38</td><td>640</td></tr> <tr><td>0x09</td><td>88</td><td>0x19</td><td>1280</td><td>0x29</td><td>56</td><td>0x39</td><td>768</td></tr> <tr><td>0x0A</td><td>104</td><td>0x1A</td><td>1536</td><td>0x2A</td><td>64</td><td>0x3A</td><td>896</td></tr> <tr><td>0x0B</td><td>128</td><td>0x1B</td><td>1920</td><td>0x2B</td><td>72</td><td>0x3B</td><td>1024</td></tr> <tr><td>0x0C</td><td>144</td><td>0x1C</td><td>2304</td><td>0x2C</td><td>80</td><td>0x3C</td><td>1280</td></tr> <tr><td>0x0D</td><td>160</td><td>0x1D</td><td>2560</td><td>0x2D</td><td>96</td><td>0x3D</td><td>1536</td></tr> <tr><td>0x0E</td><td>192</td><td>0x1E</td><td>3072</td><td>0x2E</td><td>112</td><td>0x3E</td><td>1792</td></tr> <tr><td>0x0F</td><td>240</td><td>0x1F</td><td>3840</td><td>0x2F</td><td>128</td><td>0x3F</td><td>2048</td></tr> </tbody> </table>	IC	Divider	IC	Divider	IC	Divider	IC	Divider	0x00	28	0x10	288	0x20	20	0x30	160	0x01	30	0x11	320	0x21	22	0x31	192	0x02	34	0x12	384	0x22	24	0x32	224	0x03	40	0x13	480	0x23	26	0x33	256	0x04	44	0x14	576	0x24	28	0x34	320	0x05	48	0x15	640	0x25	32	0x35	384	0x06	56	0x16	768	0x26	36	0x36	448	0x07	68	0x17	960	0x27	40	0x37	512	0x08	80	0x18	1152	0x28	48	0x38	640	0x09	88	0x19	1280	0x29	56	0x39	768	0x0A	104	0x1A	1536	0x2A	64	0x3A	896	0x0B	128	0x1B	1920	0x2B	72	0x3B	1024	0x0C	144	0x1C	2304	0x2C	80	0x3C	1280	0x0D	160	0x1D	2560	0x2D	96	0x3D	1536	0x0E	192	0x1E	3072	0x2E	112	0x3E	1792	0x0F	240	0x1F	3840	0x2F	128	0x3F	2048
IC	Divider	IC	Divider	IC	Divider	IC	Divider																																																																																																																																			
0x00	28	0x10	288	0x20	20	0x30	160																																																																																																																																			
0x01	30	0x11	320	0x21	22	0x31	192																																																																																																																																			
0x02	34	0x12	384	0x22	24	0x32	224																																																																																																																																			
0x03	40	0x13	480	0x23	26	0x33	256																																																																																																																																			
0x04	44	0x14	576	0x24	28	0x34	320																																																																																																																																			
0x05	48	0x15	640	0x25	32	0x35	384																																																																																																																																			
0x06	56	0x16	768	0x26	36	0x36	448																																																																																																																																			
0x07	68	0x17	960	0x27	40	0x37	512																																																																																																																																			
0x08	80	0x18	1152	0x28	48	0x38	640																																																																																																																																			
0x09	88	0x19	1280	0x29	56	0x39	768																																																																																																																																			
0x0A	104	0x1A	1536	0x2A	64	0x3A	896																																																																																																																																			
0x0B	128	0x1B	1920	0x2B	72	0x3B	1024																																																																																																																																			
0x0C	144	0x1C	2304	0x2C	80	0x3C	1280																																																																																																																																			
0x0D	160	0x1D	2560	0x2D	96	0x3D	1536																																																																																																																																			
0x0E	192	0x1E	3072	0x2E	112	0x3E	1792																																																																																																																																			
0x0F	240	0x1F	3840	0x2F	128	0x3F	2048																																																																																																																																			

26.3.2.3 I²C Control Register (I2ICR)

The I2ICR is used to enable the I²C module and the I²C interrupt. It also contains bits that govern operation as a slave or a master.

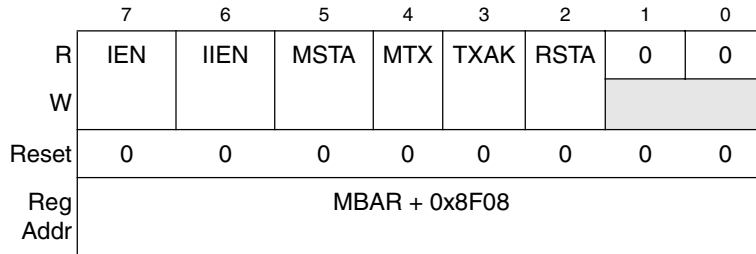


Figure 26-4. I²C Control Register (I2ICR)

Table 26-4. I2ICR Field Descriptions

Bits	Name	Description
7	IEN	I ² C enable. Controls the software reset of the entire I ² C module. If the module is enabled in the middle of a byte transfer, slave mode ignores the current bus transfer and starts operating when the next START condition is detected. Master mode is not aware that the bus is busy; so initiating a start cycle may corrupt the current bus cycle, ultimately causing either the current master or the I ² C module to lose arbitration, after which bus operation returns to normal. 0 The I ² C module is disabled, but registers can still be accessed. 1 The I ² C module is enabled. This bit must be set before any other I2ICR bits have any effect.
6	IEN	I ² C interrupt enable. 0 I ² C module interrupts are disabled, but currently pending interrupt conditions are not cleared. 1 I ² C module interrupts are enabled. An I ² C interrupt occurs if I2SR[IIF] is also set.
5	MSTA	Master/slave mode select bit. If the master loses arbitration, MSTA is cleared without generating a STOP signal. 0 Slave mode. Changing MSTA from 1 to 0 generates a STOP and selects slave mode. 1 Master mode. Changing MSTA from 0 to 1 signals a START on the bus and selects master mode.
4	MTX	Transmit/receive mode select bit. Selects the direction of master and slave transfers. 0 Receive 1 Transmit. When the processor is addressed as a slave, software should set MTX according to I2SR[SRW]. In master mode, MTX should be set according to the type of transfer required. Therefore, when the processor addresses a slave device, MTX is always 1.
3	TXAK	Transmit acknowledge enable. Specifies the value driven onto SDA during acknowledge cycles for both master and slave receivers. Note that writing TXAK applies only when the I ² C bus is a receiver. 0 An acknowledge signal is sent to the bus at the ninth clock bit after receiving one byte of data. 1 No acknowledge signal response is sent (that is, acknowledge bit = 1).
2	RSTA	Repeat start. Always read as 0. Attempting a repeat start without bus mastership causes loss of arbitration. 0 No repeat start 1 Generates a repeated START condition.
1-0	—	Reserved, should be cleared.

26.3.2.4 I²C Status Register (I2SR)

This I2SR contains bits that indicate transaction direction and status.

	7	6	5	4	3	2	1	0
R	ICF	IAAS	IBB	IAL	0	SRW	IIF	RXAK
W								
Reset	1	0	0	0	0	0	0	1
Reg Addr	MBAR + 0x8F0C							

Figure 26-5. I²C Status Register (I2SR)

Table 26-5. I2SR Field Descriptions

Bits	Name	Description
7	ICF	Data transferring bit. While one byte of data is transferred, ICF is cleared. 0 Transfer in progress 1 Transfer complete. Set by the falling edge of the ninth clock of a byte transfer.
6	IAAS	I ² C addressed as a slave bit. The CPU is interrupted if I2CR[IEN] is set. Next, the CPU must check SRW and set its TX/RX mode accordingly. Writing to I2CR clears this bit. 0 Not addressed. 1 Addressed as a slave. Set when its own address (IADR) matches the calling address.
5	IBB	I ² C bus busy bit. Indicates the status of the bus. 0 Bus is idle. If a STOP signal is detected, IBB is cleared. 1 Bus is busy. When START is detected, IBB is set.
4	IAL	Arbitration lost. Set by hardware in the following circumstances. (IAL must be cleared by software by writing zero to it.) <ul style="list-style-type: none"> SDA sampled low when the master drives high during an address or data-transmit cycle. SDA sampled low when the master drives high during the acknowledge bit of a data-receive cycle. A start cycle is attempted when the bus is busy. A repeated start cycle is requested in slave mode. A stop condition is detected when the master did not request it.
3	—	Reserved, should be cleared.
2	SRW	Slave read/write. When IAAS is set, SRW indicates the value of the R/W command bit of the calling address sent from the master. SRW is valid only when a complete transfer has occurred, no other transfers have been initiated, and the I ² C module is a slave and has an address match. 0 Slave receive, master writing to slave (on the SDA signal). 1 Slave transmit, master reading from slave (on the SDA signal).

Table 26-5. I2SR Field Descriptions (Continued)

Bits	Name	Description
1	IIF	I ² C interrupt. Must be cleared by software by writing a zero to it in the interrupt routine. 0 No I ² C interrupt pending 1 An interrupt is pending, which causes a processor interrupt request (if I IEN = 1). Set when one of the following occurs: <ul style="list-style-type: none"> • Complete one byte transfer (set at the falling edge of the ninth clock) • Reception of a calling address that matches its own specific address in slave-receive mode • Arbitration lost
0	RXAK	Received acknowledge. The value of SDA during the acknowledge bit of a bus cycle. 0 An acknowledge signal was received after the completion of 8-bit data transmission on the bus 1 No acknowledge signal was detected at the ninth clock.

26.3.2.5 I²C Data I/O Register (I2DR)

While in master-receive mode, reading the I2DR allows a read to occur and initiates the next data byte to be received. In slave mode, the same function is available once the I²C has received its slave address.



Figure 26-6. I²C Data I/O Register (I2DR)

Table 26-6. I2DR Field Description

Bit	Name	Description
7–0	DATA	I ² C data. In master transmit mode, when data is written to this register, a data transfer is initiated. The most significant bit is sent first. In master receive mode, reading this register initiates the reception of the next byte of data. In slave mode, the same functions are available after an address match has occurred. Note: 1. In master transmit mode, the first byte of data written to I2DR following assertion of MST A is used for the address transfer and should comprise the calling address (in position D7–D1) concatenated with the required R/W bit (in position D0). This bit (D0) is not automatically appended by the hardware, software must provide the appropriate R/W bit. Note: 2. MST A generates a start when a master does not already own the bus. RSTA generates a start (restart) without the master first issuing a stop (i.e., the master already owns the bus). In order to start the read of data, a dummy read to the MDR starts the read process from the slave. The next read of the MDR register contains the actual data.

26.3.2.6 Interrupt Control Register (I2ICR)

The I²C module generates an internal interrupt that can be routed to the following destinations:

- to the CPU interrupt, if I2ICR[IE] is set to 1
- to the TX Requestor at the multichannel DMA, if I2ICR[TE] is set to 1
- to the RX Requestor at the multichannel DMA, if I2ICR[RE] is set to 1

The destination for the interrupt is the CPU. The reset condition is to have IE set.

Typically, only one (or none) of the above destinations would be specified, although it may be useful to send an interrupt to both the CPU and the multichannel DMA. The selection between TX and RX is based on whether the module is sending data (master or slave TX) or receiving data (master or slave RX). Individual requestors would trigger different multichannel DMA tasks. The reset condition is to have IE set, and all other enable bits clear.

An additional bit, BNBE, is provided to permit the module to generate an interrupt when the bus becomes NOT busy. This implies the receipt of a STOP condition, for which the module normally does not generate an interrupt. Because bus NOT busy is an IDLE condition, it is necessary for software responding to this interrupt to clear the BNBE bit in order to clear the interrupt condition, otherwise it will persist until another IIC transaction is initiated.

The MCF547x contains one I²C module. The interrupt control register is common to I²C modules.

	7	6	5	4	3	2	1	0
R	0	0	0	0	BNBE	TE	RE	IE
W								
Reset	0	0	0	1	0	0	0	1
Reg Addr	MBAR + 0x8F20							

Figure 26-7. Interrupt Control Register

Table 26-7. I2ICR Field Descriptions

Bits	Name	Description
7-4	—	Reserved, should be cleared.
3	BNBE	Permits I ² C module to generate an interrupt when the bus is NOT busy. Instead of polling the bus busy bit to see when the bus becomes free, setting BNBE bit will cause an interrupt when a STOP is detected on the bus. Disabling this bit will prevent these interrupts. Bus NOT busy is an IDLE condition, therefore software must clear this bit by writing a 0 to this bit position in order to clear the interrupt. Reset condition disables this bit. 0 Disables an interrupt when the bus is stopped 1 Enables an interrupt when the bus is stopped
5-6	—	Reserved, should be cleared.
2	TE	Routes the interrupt for the I ² C module to the TX requestor at the multichannel DMA. Reset condition disables this bit. Clear by writing a 0 to this bit position
1	RE	Routes the interrupt for the I ² C module to the RX requestor at the multichannel DMA. Reset condition disables this bit. Clear by writing a 0 to this bit position.
0	IE	Routes the interrupt for the I ² C module to the CPU. Reset condition enables this bit. Clear by writing a 0 to this bit position

26.4 Functional Description

The I²C has a simple bidirectional 2-wire bus for efficient inter-IC control. The two wires, serial data address line (SDA) and serial clock line (SCL), carry information between the MCF547x and other devices connected to the bus. Each device, including the MCF547x, is recognized by a unique address, and can operate as either transmitter or receiver, depending on the function of the device. In addition to the transmitters and receivers, devices can be considered as masters or slaves. A master is the device that initiates a data transfer on the bus and generates the clock signals to permit that transfer. At that time, any device addressed is considered a slave. See Table 26-8.

Table 26-8. I²C Terminology

Term	Description
Transmitter	Device that sends the data to the bus
Receiver	Device that receives the data from the bus
Master	Device that initiates transfer, generates SCL and terminates transfer
Slave	Device that is addressed by the master

Normally, a standard communication is composed of four parts: START signal, slave address transmission, data transfer, and STOP signal. The parts of a communication are described briefly in the following sections and illustrated in Figure 26-8.

26.4.1 START Signal

When the bus is free—that is, when no master device is engaging the bus (both SCL and SDA lines are at logical high)—a master may initiate communication by sending a START signal. A START signal (A in Figure 26-8) is defined as a high-to-low transition of SDA while SCL is high. This signal denotes the beginning of a new data transfer (each data transfer may contain several bytes of data) and awakens all slaves.

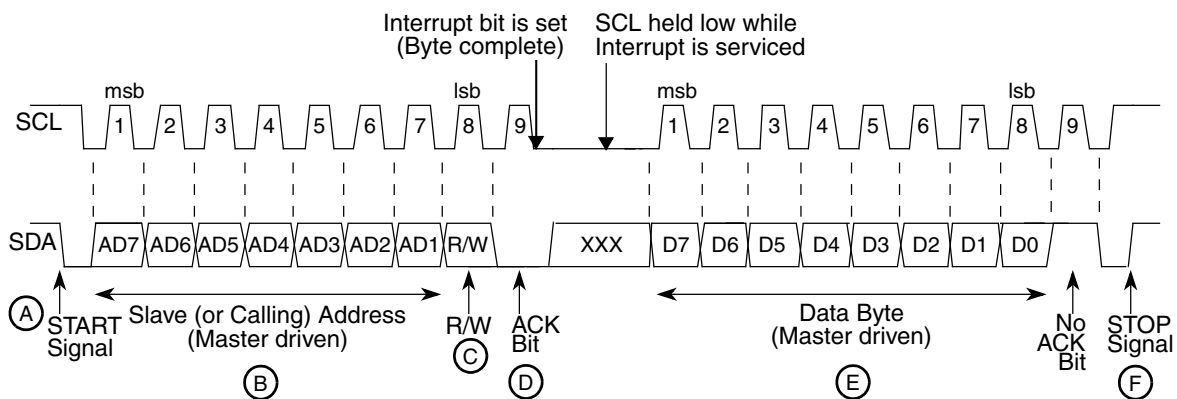


Figure 26-8. Start, Address Transfer, and Stop Signal

26.4.2 Slave Address Transmission

The master sends the slave address in the first byte after the START signal (B in Figure 26-8). After the seven-bit calling address (the slave address), it sends the R/W bit (C), which indicates the slave data transfer direction (0 = write transfer; 1 = read transfer).

Each slave must have a unique address. An I²C master must not transmit its own slave address; it cannot be master and slave at the same time.

The slave whose address matches that sent by the master pulls SDA low at the ninth serial clock (D) to return an acknowledge bit.

26.4.3 STOP Signal

The master can terminate the communication by generating a STOP signal (“F” in Figure 26-8) to free the bus. A STOP signal is defined as a low-to-high transition of SDA while SCL is at logical 1. The master can generate a STOP even if the slave has generated an acknowledge, at which point the slave must release the bus. The master may also generate a START signal followed by a calling command without generating a STOP signal first. This is called repeated START. Refer to Section 26.4.6, “Repeated Start.”

26.4.4 Data Transfer

When successful slave addressing is achieved, the data transfer can proceed (E in Figure 26-8) on a byte-by-byte basis in the direction specified by the R/W bit sent by the calling master. Each data byte is 8 bits long.

Data can be changed only while SCL is low and must be held stable while SCL is high, as Figure 26-8 shows. SCL is pulsed once for each data bit, with the msb being sent first. The receiving device must acknowledge each byte by pulling SDA low at the ninth clock; therefore, a data byte transfer takes nine clock pulses. (See Figure 26-9).

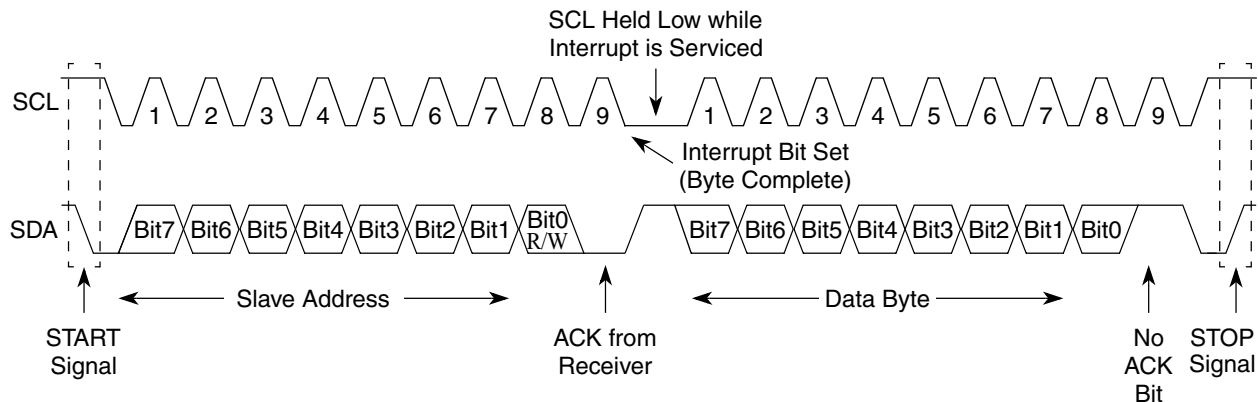


Figure 26-9. Data Transfer

26.4.5 Acknowledge

The transmitter releases the SDA line high during the acknowledge clock pulse as shown in Figure 26-10. The receiver pulls down the SDA line during the acknowledge clock pulse so that it remains stable low during the high period of the clock pulse.

If a slave-receiver does not acknowledge the byte transfer, the SDA must be left high by the slave. The master then can generate a STOP condition to abort the transfer or generate a START signal (repeated start, shown in Figure 26-8 and Figure 26-11, and discussed in Section 26.4.6, “Repeated Start”) to start a new calling sequence.

If a master-receiver does not acknowledge the slave transmitter after a byte transmission, it means end of data to the slave, so the slave releases the SDA line for the master to generate a STOP or a START signal (Figure 26-10).

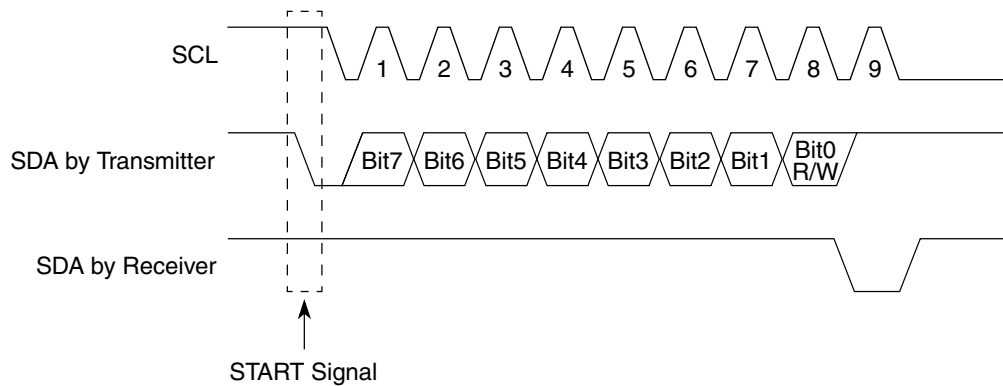


Figure 26-10. Acknowledgement by Receiver

26.4.6 Repeated Start

A repeated START signal is a START signal generated without first generating a STOP signal to terminate the communication. This is used by the master to communicate with another slave or with the same slave in a different mode without releasing the bus.

Various combinations of read/write formats are then possible:

- The first example in Figure 26-11 is the case of a master-transmitter transmitting to a slave-receiver. The transfer direction is not changed.
- The second example in Figure 26-11 is the master reading slave data immediately after the first byte. At the moment of the first acknowledge, the master-transmitter becomes a master-receiver and the slave-receiver becomes a slave-transmitter.
- In the third example in Figure 26-11, the START condition and slave address are both repeated using the repeated START signal. This is to communicate with the same slave in a different mode without releasing the bus. The master transmits data to the slave first, and then the master reads data from the slave by reversing the R/W bit.

26.4.8 Handshaking and Clock Stretching

The clock synchronization mechanism can be used as a handshake in data transfers. Slave devices may hold the SCL low after completion of one byte transfer, which will cause the bus clock to halt, forcing the master clock into wait status until the slave releases the SCL line.

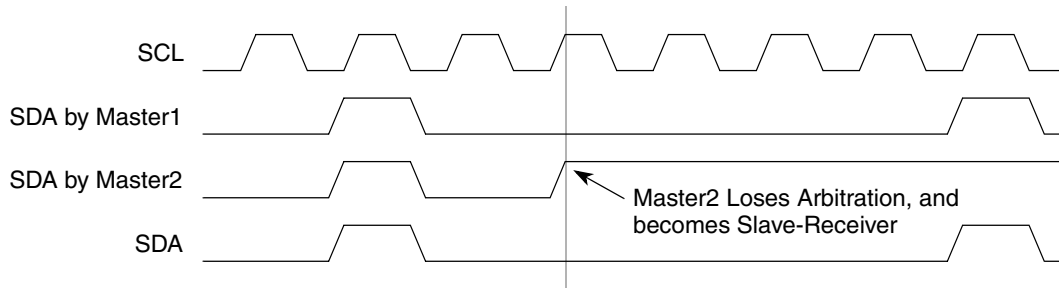


Figure 26-12. Arbitration Procedure

Slaves may also slow down the bit rate transfer. After the master has driven SCL low, the slave can drive SCL low for the required period and then release it. If the slave SCL low period is greater than the master SCL low period, then the resulting SCL bus signal low period is stretched.

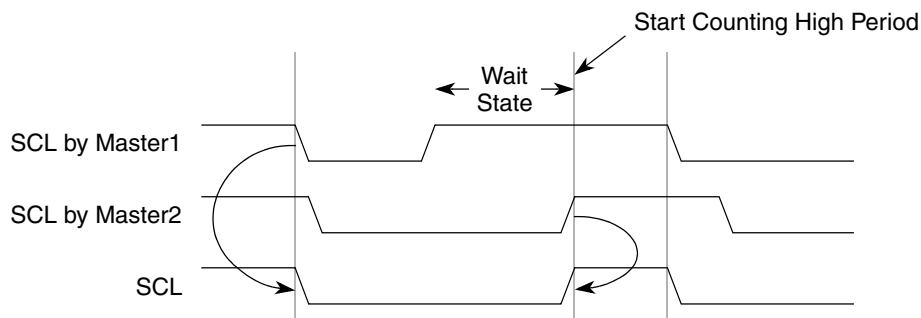


Figure 26-13. Clock Synchronization

26.5 Initialization Sequence

Reset will put the I²C control register in its default status. Before the interface can be used to transfer serial data, an initialization procedure must be carried out, as follows:

1. Update I2FDR[IC] to select the required division ratio to obtain the SCL frequency from the system clock
2. Update the I2ADR to define it as a slave device (give it a slave address)
3. Set I2CR[IEN] to enable the I²C interface system
4. Modify the I2CR to select master/slave mode, transmit/receive mode, or interrupt enable

NOTE

If I2SR[IBB] is set when the I²C bus module is enabled, execute the following code sequence before proceeding with normal initialization code. This issues a STOP command to the slave device, placing it in an idle state as if it were just power-cycled on.

```

I2ICR = 0x00
I2CR = 0x0
I2CR = 0xA
dummy read of I2DR
I2SR = 0x0
I2CR = 0x0
I2ICR = 0x01

```

26.5.1 Transfer Initiation and Interrupt

After completing initialization, serial data can be transmitted by selecting master transmit mode. If the device is connected to a multi-master bus system, the state of the bus busy bit (BB) must be tested to check whether the serial bus is free.

If the bus is free (BB = 0), the first byte (the slave address) can be sent. The data written to the data register comprises the slave calling address, and the LSB is set to indicate the direction of transfer required from the slave.

Depending on the relative frequencies of the system clock and the SCL period, it may be necessary to wait until the bus is busy after writing the calling address to the data register (I2DR) before proceeding with the following instructions.

Following is an example of how to generate a START signal:

```

/*****
 * START generation in Master mode *
 *****/

/* Make sure bus is idle (poll Bus Busy bit) */
while ( (MCF_I2C_I2SR & MCF_I2C_I2SR_IBB) );

/* Put module in master TX mode (generates START) */
MCF_I2C_I2CR |= 0x10;
MCF_I2C_I2CR |= 0x20;

/* Put target address into I2DR */
MCF_I2C_I2DR = TARGET_ADDR;

/* Wait for I2SR.IBB (bus busy) to be set */
while ( !(MCF5_I2C_I2SR & MCF_I2C_I2SR_BB) );

```

26.5.2 Post-Transfer Software Response

Transmission or reception of a byte will set the data transferring bit (ICF) to 1, which indicates one byte of communication is finished. The interrupt bit (IIF) is set also; an interrupt will be generated if the interrupt function was enabled during initialization (by setting the IEN bit). Software must clear the IIF bit

in the interrupt service routine first. The ICF bit will be cleared automatically by reading from the data I/O register (I2DR) in receive mode or writing to I2DR in transmit mode.

Software may service the bus I/O in the main program by monitoring the IIF bit if the interrupt function is disabled. Note that polling should monitor the IIF bit rather than the ICF bit, because their operation is different when arbitration is lost.

Also note that when an interrupt occurs at the end of the address cycle, the master will always be in transmit mode, i.e. the address is transmitted. If master receive mode is required, indicated by the R/W bit in I2DR, then the MTX bit should be toggled at this stage.

During slave mode address cycles (AAS = 1), the SRW bit in the status register is read to determine the direction of the subsequent transfer, and the MTX bit is programmed accordingly. For slave mode data cycles (AAS = 0) the SRW bit is not valid; therefore, the MTX bit in the control register should be read to determine the direction of the current transfer.

Following is an example of how to monitor IIF instead of ICF:

```
/******  
* Master TX with interrupt function disabled *  
*****/  
/* Send the contents of tx_buffer */  
for (i=0; i<tx_byte_count; i++)  
{  
    /* Put data to be sent into I2DR */  
    MCF_I2C_I2DR = tx_buffer[i];  
  
    /*Wait for transfer to complete (Poll IIF bit) */  
    while (!(MCF_I2C_I2SR & MCF_I2C_I2SR_IIF) );  
  
    /* Clear IIF bit */  
    MCF_I2C_I2SR &= 0xFD;  
}
```

26.5.3 Generation of STOP

A data transfer ends with a STOP signal generated by the ‘master’ device. A master transmitter can simply generate a STOP signal after all the data has been transmitted.

For a master receiver to terminate a data transfer, it must inform the slave transmitter by not acknowledging the last byte of data. The informing of the slave transmitter is done by two operations:

- Before reading the second to the last byte of data, the master receiver must set the transmit acknowledge bit (TXAK).
- Before reading the last byte of data, the master receiver must write a zero to the master/slave mode select bit (MSTA). This will generate the STOP signal.

The I²C interrupt bit (IIF) in the status register is set when an interrupt is pending, which will cause a processor interrupt request if the interrupt enable bit (IIEN) in the control register is set. The IIF bit is set when one of the following events occurs:

1. Complete one byte transfer (set at the falling edge of the ninth clock).
2. Receive a calling address that matches its own specific address in slave receive mode.
3. Arbitration is lost.

Following is an example that shows a master RX where NACK occurs and STOP is generated.

```

/*****
 * Master RX with interrupt function disabled *
 *****/
/* Receive data from slave and store in rx_buffer */
for (i=0; i<rx_byte_count; i++)
{
    /* Wait for transfer to complete */
    while (!(MCF_I2C_I2SR & MCF_I2C_I2SR_IIF) );

    /* Clear IIF bit */
    MCF_I2C_I2SR &= 0xFD;

    /* Check for second-to-last and last byte transmission. After second-to-last byte is
    received, the ACK bit must be disabled in order to signal the slave that the last byte
    has been received. The actual NACK does not take place until after the last byte has been
    received. */
    if (i==(rx_byte_count-2))
    {
        /*Disable Acknowledge (set I2CR.TXAK) */
        MCF_I2C_I2CR |= MCF_I2C_I2CR_TXAK;
    }
    if (i==(rx_byte_count-1))
    {
        /* Generate STOP by clearing I2CR.MSTA */
        MCF_I2C_I2CR = 0x80;
    }
    /*Store received data and release SDA */
    rx_buffer[i] = MCF_I2C_I2DR;
}

```

26.5.4 Generation of Repeated START

At the end of a data transfer, if the master still wants to communicate on the bus, it can generate another START signal followed by another slave address without first generating a STOP signal. This is done by writing a 1 to I2CR[MSTA].

26.5.5 Slave Mode

In the slave interrupt service routine, the addressed as slave bit (IAAS) should be tested to check if a calling of its own address has just been received. If IAAS is set, software should set the transmit/receive mode select bit (I2CR[MTX]) according to the R/W command bit (SRW). Writing to the control register clears the IAAS automatically.

NOTE

Note that the only time IAAS is read as set is from the interrupt at the end of the address cycle where an address match occurred; interrupts resulting from subsequent data transfers will have IAAS cleared.

A data transfer may now be initiated by writing information to the data register, for slave transmits, or dummy reading an address from the data register, in slave receive mode. The slave will drive SCL low in between byte transfers; SCL is released when the data register is accessed in the required mode.

If the slave data register is not read after a transfer, the slave module will hold the SDA line low indefinitely. The master is able to send a stop signal in this situation, but the slave does not respond by releasing the SDA line. This functionality is a by-product of the arbitration scheme. To avoid this problem, the slave data register must be read before a stop signal is issued.

In a slave transmitter routine, the received acknowledge bit (RXAK) must be tested before transmitting the next byte of data. A dummy read of the last transmitted byte then releases the SCL line so that the master can generate a STOP signal.

NOTE

Setting RXAK means an “end of data” signal from the master receiver, after which the slave must be switched from transmitter mode to receiver mode by software.

Following are examples of slave TX and RX illustrating the dummy read of I2DR and, for slave TX, the checking of RXAK:

```
/* Slave TX illustrating NACK on last byte (interrupt function disabled) */
*****
/* Set I2CR.MTX to put the module in transit mode */
MCF_I2C_I2CR |= MCF_I2C_I2CR_MTX;

/* Send the contents of tx_buffer until NACK is detected */
i = 0;
while (1)
```



```

{
    /*Put TX data into I2DR */
    MCF_I2C_I2DR = tx_buffer[i];

    /*Wait for transfer to complete */
    while (!(MCF_I2C_I2SR & MCF_I2C_I2SR_IIF) );

    /* Clear IIF bit */
    MCF_I2C_I2SR &= 0xFD;

    /*Detect when no ACK is received */
    if(MCF_I2C_I2SR & MCF_I2C_I2SR_RXAK)
    {
        /*Finish the transfer by putting the module into its idle state. */
        MCF_I2C_I2CR = 0x80;
        break;
    }
    i++;
}

/*****
* Slave RX illustrating dummy read of I2DR (interrupt function disabled) *
*****/

/* Clear I2CR.MTX to put the module in receive mode */
MCF_I2C_I2CR &= 0xEF;

/* Dummy read of I2DR to signal the module is ready for the next byte */
dummy_read = MCF_I2C_I2DR;

/* Receive data from master device and store in rx-buffer */
for(i=0; i<rx_byte_count; i++)
{
    /* Wait for transfer to complete */
    while (!(MCF_I2C_I2SR & MCF_I2C_I2SR_IIF) );
}

```

```
/* Clear IIF bit */
MCF_I2C_I2SR &= 0xFD;

/* Store received data and release SDA */
rx_buffer[i] = MCF_I2C_I2DR;
}
```

26.5.6 Arbitration Lost

If several masters try to engage the bus simultaneously, only one master wins and the others lose arbitration. The devices which lost arbitration are immediately switched to slave receive mode by the hardware. Their master that has lost arbitration immediately releases the bus, but SCL is still generated until the end of the byte during which arbitration was lost. An interrupt occurs at the falling edge of the ninth clock of this transfer with IAL = 1 and MSTA = 0.

If the MCF547x attempts to start transmission while the bus is being engaged by another master, the hardware will inhibit the transmission, switch the MSTA bit from 1 to 0 without generating a STOP condition, generate an interrupt to the CPU, and set the IAL bit to indicate that the attempt to engage the bus has failed. When considering these cases, the slave service routine should test the IAL bit first, and the software should clear the IAL bit if it is set.

26.5.7 Flow Control

[Figure 26-14](#) displays the flow of a typical I²C interrupt process.

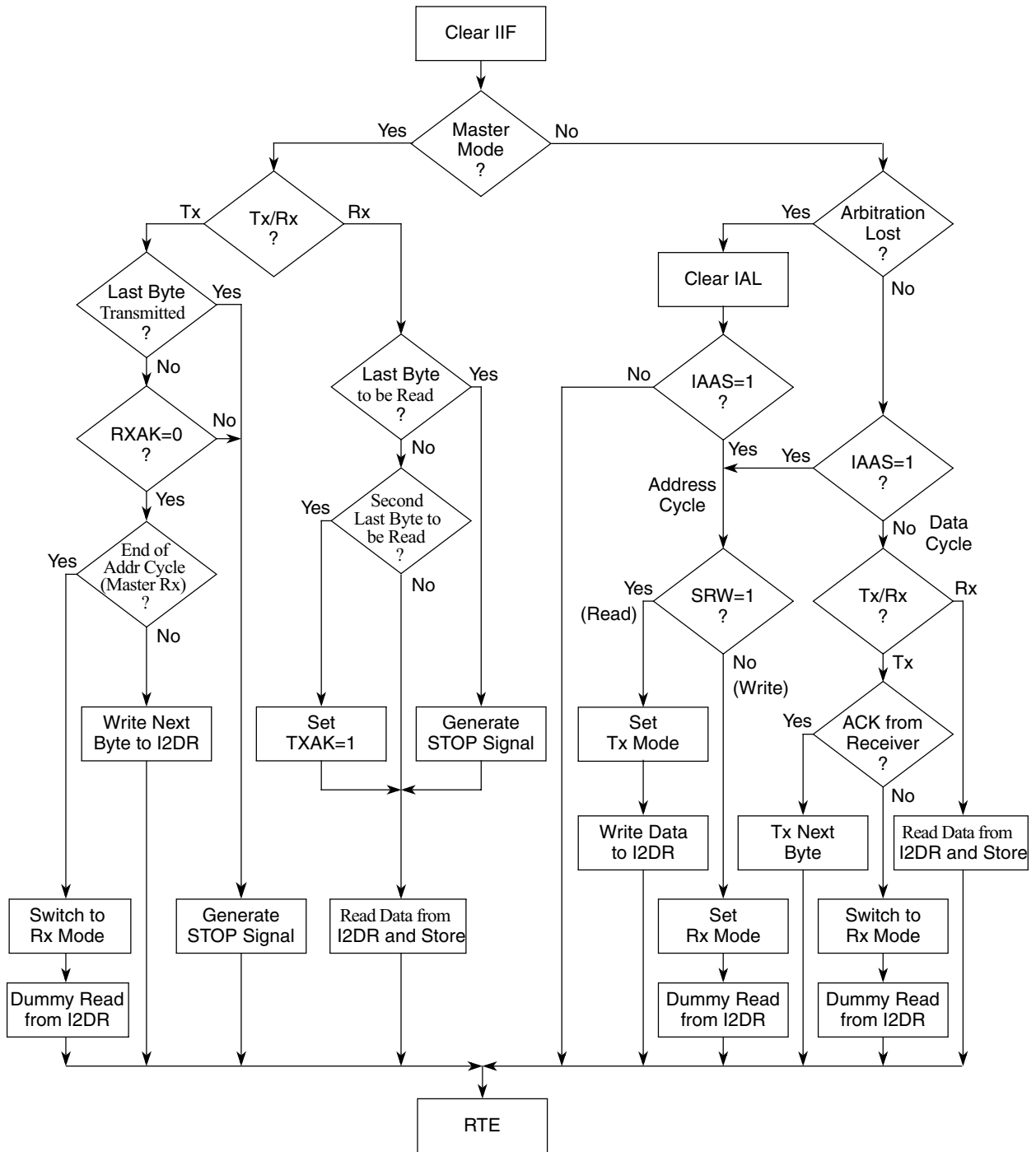


Figure 26-14. Flow-Chart of Typical I²C Interrupt Routine



THIS PAGE INTENTIONALLY LEFT BLANK

Chapter 27

DMA Serial Peripheral Interface (DSPI)

This chapter describes the use of the DMA serial peripheral interface (DSPI) implemented on the MCF547x processor.

27.1 Overview

The DMA serial peripheral interface (DSPI) block provides a synchronous serial bus for communication between an MCU and an external peripheral device. The DSPI supports up to eight queued SPI transfers (four receive and four transmit) in the DSPI resident FIFOs eliminating CPU intervention between transfers.

For queued operations, the SPI queues reside in system RAM that is external to the DSPI. Data transfers between the queues and the DSPI FIFOs are accomplished through the use of a DMA controller or through host software.

27.2 Features

The MCF547x DSPI supports these SPI features:

- Full-duplex, three-wire synchronous transfers
- Master and slave modes
- Buffered transmit operation using the Tx FIFO with depth of up to 4 entries
- Buffered receive operation using the Rx FIFO with depth of up to 4 entries
- Tx and Rx FIFOs can be disabled individually for low-latency updates to SPI queues
- Visibility into Tx and Rx FIFOs for ease of debugging
- Programmable transfer attributes on a per-frame basis:
 - Eight transfer attribute registers
 - Serial clock with programmable polarity and phase
 - Various programmable delays
 - Programmable serial frame size of 4 to 16 bits, expandable with software control
 - Continuously held chip select capability
- Four peripheral chip selects, expandable to 15 with external demultiplexer
- Deglitching support for up to seven peripheral chip selects with external demultiplexer
- DMA support for adding entries to Tx FIFO and removing entries from Rx FIFO:
 - Tx FIFO is not full (TFFF)
 - Rx FIFO is not empty (RFDF)
- Six interrupt conditions:
 - End of queue reached (EOQF)
 - Tx FIFO is not full (TFFF)
 - Transfer of current frame complete (TCF)
 - Attempt to transmit with an empty Tx FIFO (TFUF)
 - Rx FIFO is not empty (RFDF)
 - Frame received while Rx FIFO is full (RFOF)
- Modified SPI transfer formats for communication with slower peripheral devices

27.3 Block Diagram

Figure 27-1 shows a DSPI with external queues in system RAM.

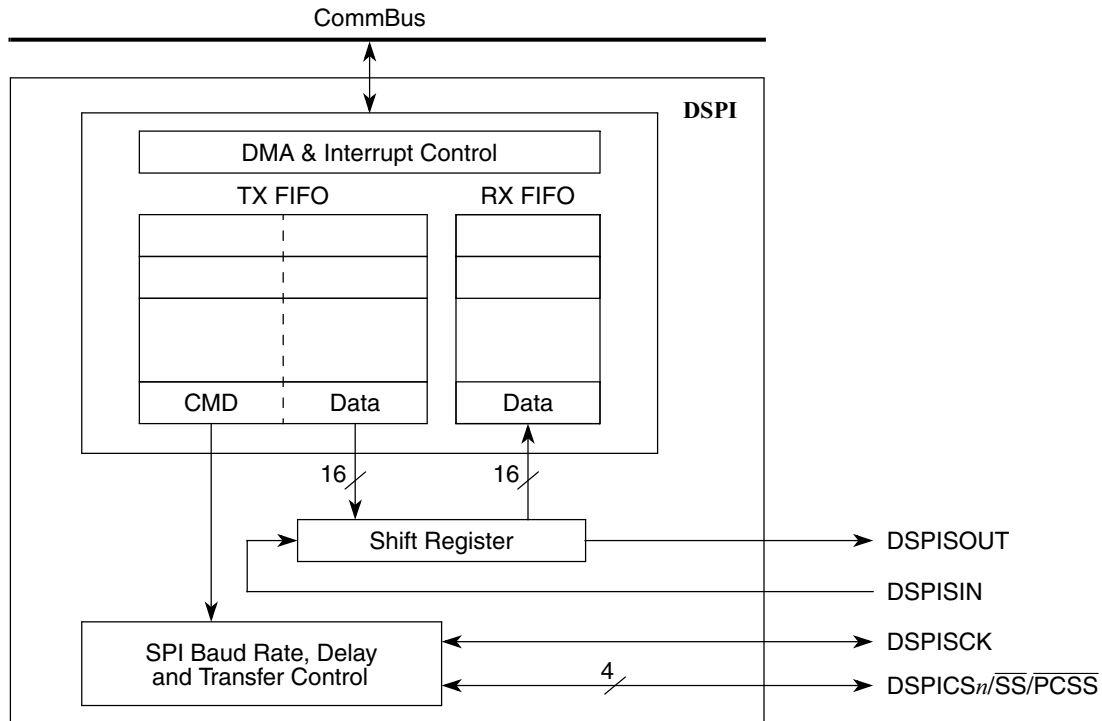


Figure 27-1. DSPI with Queues and DMA

27.4 Modes of Operation

The DSPI has two modes of operation: master and slave. The two modes are entered by host software writing to a register.

27.4.1 Master Mode

Master mode allows the DSPI to initiate and control serial communication. In this mode, the **DSPISCK** signal and the **DSPICS_n** signals are controlled by the DSPI and configured as outputs.

27.4.2 Slave Mode

The slave mode allows the DSPI to communicate with SPI bus masters. In this mode the DSPI responds to externally controlled serial transfers. The DSPI cannot control serial transfers in slave mode. In slave mode, the **DSPISCK** signal and the **DSPICS₀/SS** signal are configured as inputs and provided by a bus master.

27.5 Signal Description

27.5.1 Overview

Table 27-1 lists the DSPI signals.

Table 27-1. Signal Properties

Name	Input/Output	Function	
		Master Mode	Slave Mode
DSPICS0/ \overline{SS}	Input/Output	Peripheral Chip Select 0 (output)	Slave Select (input)
DSPICS[2:3]	Output	Peripheral Chip Select 2 - 3	Unused
DSPICS5/ \overline{PCSS}	Output	Peripheral Chip Select 5 / Peripheral Chip Select Strobe	Unused
DSPISIN	Input	Serial Data In	Serial Data In
DSPISOUT	Output	Serial Data Out	Serial Data Out
DSPISCK	Input/Output	Serial Clock (output)	Serial Clock (input)

27.5.2 Detailed Signal Descriptions

27.5.2.1 DSPI Peripheral Chip Select/Slave Select (DSPICS0/ \overline{SS})

In master mode, the DSPICS0 signal is a peripheral chip select output that selects which slave device the current transmission is intended for.

In slave mode, the \overline{SS} signal is a slave select input signal that allows an SPI master to select the DSPI as the target for transmission.

27.5.2.2 DSPI Peripheral Chip Selects 2–3 (DSPICS[2:3])

DSPICS[2:3] are peripheral chip select output signals in master mode. In slave mode these signals are not used.

27.5.2.3 DSPI Peripheral Chip Select 5/Peripheral Chip Select Strobe (DSPICS5/ \overline{PCSS})

When the DSPI is in master mode and the DMCR[PCSSE] bit is cleared, DSPICS5 is used to select the slave device for which the current transfer is intended DSPICS5 is a peripheral chip select output signal.

\overline{PCSS} provides a strobe signal that can be used with an external demultiplexer for deglitching of the n signals. When the DSPI is in master mode and DMCR[PCSSE] is set, the \overline{PCSS} provides the appropriate timing for the decoding of the DSPICS[0,2,3] signals that prevents glitches from occurring.

This signal is not used in slave mode.

27.5.2.4 DSPI Serial Input (DSPISIN)

DSPISIN is a serial data input signal.

27.5.2.5 DSPI Serial Output (DSPISOUT)

DSPISOUT is a serial data output signal.

27.5.2.6 DSPI Serial Clock (DSPISCK)

DSPISCK is a synchronous serial communication clock signal. In master mode, the DSPI generates the DSPISCK. In slave mode, DSPISCK is an input from an external bus master.

27.6 Memory Map and Registers

Table 27-2 shows the DSPI memory map.

Table 27-2. DSPI Memory Map

MBAR Offset	Name	Byte0	Byte1	Byte2	Byte3	Access
0x8A00	DSPI Module Configuration Register	DMCR				R/W
0x8A04	Reserved					
0x8A08	DSPI Transfer Count Register	DTCR				R/W
0x8A0C	DSPI Clock and Transfer Attributes Register 0	DCTAR0				R/W
0x8A10	DSPI Clock and Transfer Attributes Register 1	DCTAR1				R/W
0x8A14	DSPI Clock and Transfer Attributes Register 2	DCTAR2				R/W
0x8A18	DSPI Clock and Transfer Attributes Register 3	DCTAR3				R/W
0x8A1C	DSPI Clock and Transfer Attributes Register 4	DCTAR4				R/W
0x8A20	DSPI Clock and Transfer Attributes Register 5	DCTAR5				R/W
0x8A24	DSPI Clock and Transfer Attributes Register 6	DCTAR6				R/W
0x8A28	DSPI Clock and Transfer Attributes Register 7	DCTAR7				R/W
0x8A2C	DSPI Status Register	DSR				R
0x8A30	DSPI DMA/Interrupt Request Select Register	DIRSR				R/W
0x8A34	DSPI Tx FIFO Register	DTFR				R/W
0x8A38	DSPI Rx FIFO Register	DRFR				R/W
0x8A3C–0x8A48	DSPI Tx FIFO Debug Registers	DTFDR n				R
0x8A4C–0x8A78	Reserved					
0x8A7C–0x8A88	DSPI Rx FIFO Debug Registers	DRFDR n				R
0x8A8C–0x8AB8	Reserved					

27.6.1 DSPI Module Configuration Register (DMCR)

The DMCR contains bits which configure various attributes associated with DSPI operation. The HALT and MDIS bits can be changed at any time but will only take effect on the next frame boundary.

Only the HALT and MDIS bits in the DMCR may be changed while the DSPI is in the running state.

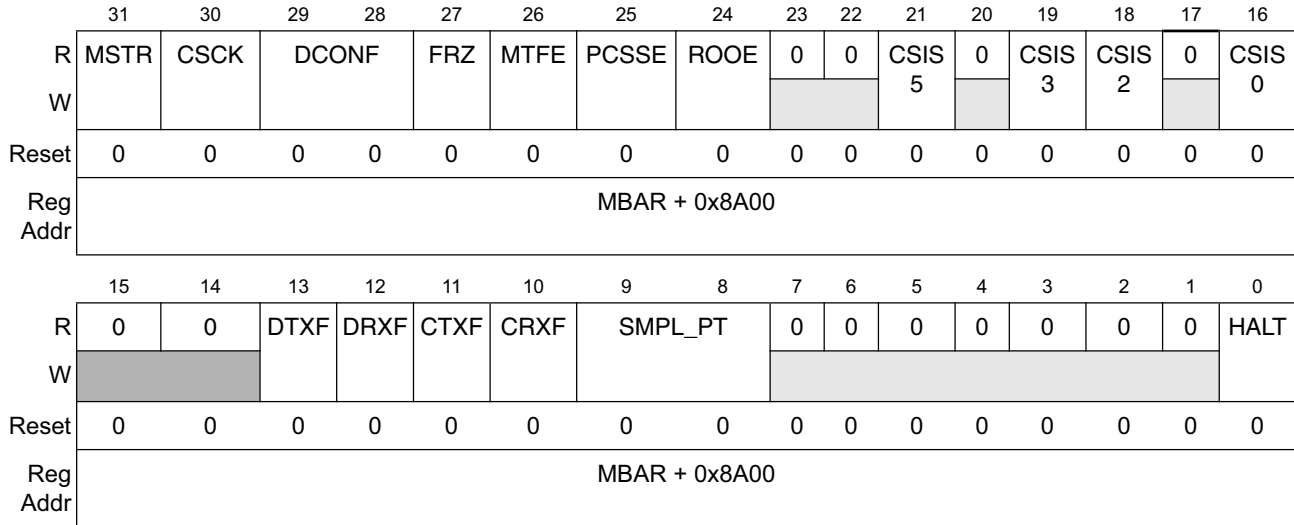


Figure 27-2. DSPI Module Configuration Register (DMCR)

Table 27-3. DMCR Field Descriptions

Bits	Name	Description
31	MSTR	Master/Slave mode select. Configures the DSPI for either master mode or slave mode. 0 DSPI is in slave mode 1 DSPI is in master mode
30	CSCK	Continuous DSPISCK enable. Enables the DSPISCK clock to run continuously. See Section 27.7.5, “Continuous Serial Communications Clock” for details. 0 Continuous DSPISCK disabled 1 Continuous DSPISCK enabled
29–28	DCONF	DSPI configuration. Selects between the three different configurations of the DSPI. 00 SPI 01 Reserved 10 Reserved 11 Reserved Note: All values except 00 are reserved. This field must be configured for SPI mode for the DSPI module to operate correctly.
27	FRZ	Freeze. Enables the DSPI transfer to be stopped on the next frame boundary when the device is halted in debug mode. 0 Do not halt serial transfers 1 Halt serial transfers
26	MTFE	Modified timing format enable. Enables a modified transfer format to be used. See Section 27.7.4.4, “Modified SPI Transfer Format (MTFE = 1, CPHA = 1)” for more information. 0 Modified SPI transfer format disabled 1 Modified SPI transfer format enabled
25	PCSSE	Peripheral chip select strobe enable. Selects between the DSPICS5 and $\overline{\text{PCSS}}$ functions. See Section 27.7.3.5, “Peripheral Chip Select Strobe Enable (PCSS)” for more information. 0 DSPICS5/ $\overline{\text{PCSS}}$ is used as the DSPICS5 signal 1 DSPICS5/PCSS is used as $\overline{\text{PCSS}}$ peripheral strobe signal

Table 27-3. DMCR Field Descriptions (Continued)

Bits	Name	Description
24	ROOE	Receive FIFO overflow overwrite enable. Enables an Rx FIFO overflow condition to either ignore the incoming serial data or to overwrite existing data. If the Rx FIFO is full and new data is received, the data from the transfer that generated the overflow is either ignored or shifted into the shift register. If the ROOE bit is set, the incoming data is shifted into the shift register. If the ROOE bit is cleared, the incoming data is ignored. See Section 27.7.6.6, “Receive FIFO Overflow Interrupt Request” for more information. 0 Incoming data is ignored 1 Incoming data is shifted into the shift register
23–22, 20, 17	—	Reserved, should be cleared.
21,19–18,1 6	CSIS _n	Chip select inactive state. Determines the inactive state of the DSPICSn signal. 0 The inactive state of DSPICSn is low 1 The inactive state of DSPICSn is high
15–14	—	Reserved, should be cleared.
13	DTXF	Disable transmit FIFO. Provides a mechanism to disable the Tx FIFO. When the Tx FIFO is disabled, the transmit part of the DSPI operates as a simplified double-buffered SPI. See Section 27.7.2.3, “FIFO Disable Operation” for details. 0 Tx FIFO is enabled 1 Tx FIFO is disabled
12	DRXF	Disable receive FIFO. Provides a mechanism to disable the Rx FIFO. When the Rx FIFO is disabled, the receive part of the DSPI operates as a simplified double-buffered SPI. See Section 27.7.2.3, “FIFO Disable Operation” for details. 0 Rx FIFO is enabled 1 Rx FIFO is disabled
11	CTXF	Clear transmit FIFO. CTXF is used to flush the Tx FIFO. Writing a ‘1’ to CTXF clears the Tx FIFO counter. The CTXF bit is always read as zero. 0 Do not clear the Tx FIFO 1 Clear the Tx FIFO counter
10	CRXF	Clear receive FIFO. CRXF is used to flush the Rx FIFO. Writing a ‘1’ to CRXF clears the Rx FIFO counter. The CRXF bit is always read as zero. 0 Do not clear the Rx FIFO 1 Clear the Rx FIFO counter
9–8	SMPL_PT	Sample point. Allows the host software to select when the DSPI master samples DSPISIN in modified transfer format. Figure 27-17 shows where the master can sample the DSPISIN pin. 00 0 system clocks between DSPISCK edge and DSPISIN sample 01 1 system clock between DSPISCK edge and DSPISIN sample 10 2 system clocks between DSPISCK edge and DSPISIN sample 11 Reserved
7–1	—	Reserved, should be cleared.
0	HALT	Halt. Provides a mechanism for software to start and stop DSPI transfers. See Section 27.7.1, “Start and Stop of DSPI Transfers” for details on the operation of this bit. 0 Start transfers 1 Stop transfers on the next frame boundary

27.6.2 DSPI Transfer Count Register (DTCR)

The DTCR contains a counter that indicates the number of SPI transfers made. The transfer counter is intended to assist in queue management. The user must not write to the DTCR while the DSPI is in the running state.

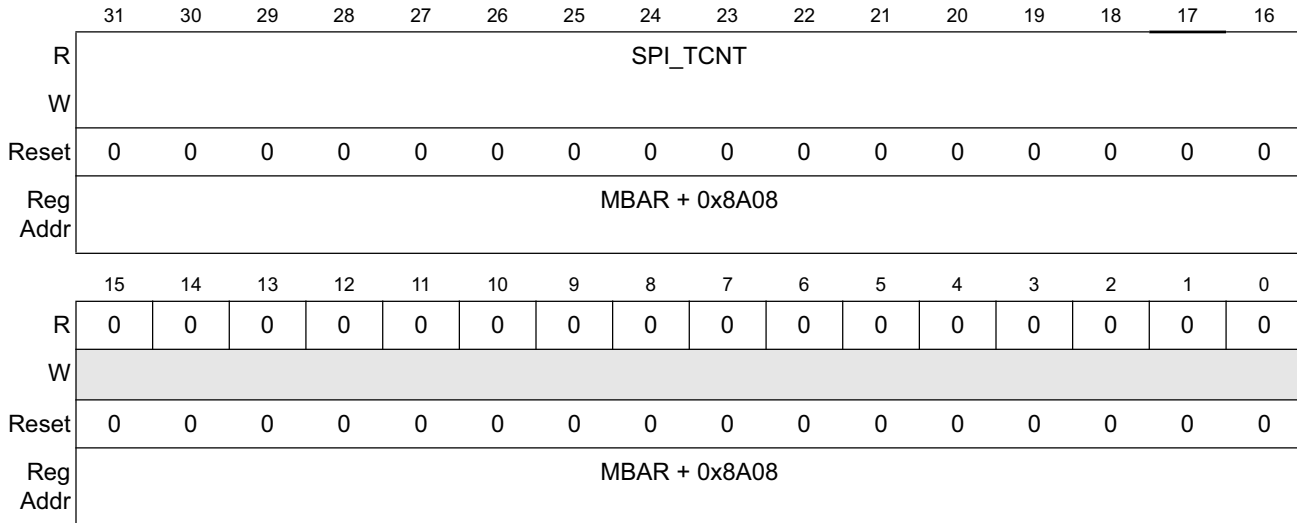


Figure 27-3. DSPI Transfer Count Register (DTCR)

Table 27-4. DMCR Field Descriptions

Bits	Name	Description
31–16	SPI_TCNT	SPI transfer counter. SPI_TCNT is used to keep track of the number of SPI transfers made. The SPI_TCNT field counts the number of SPI transfers the DSPI makes. The SPI_TCNT field is incremented every time the last bit of an SPI frame is transmitted. A value written to SPI_TCNT presets the counter to that value. SPI_TCNT is reset to zero at the beginning of the frame when the CTCNT field is set in the executing SPI command. The transfer counter 'wraps around' i.e. incrementing the counter past 65535 resets the counter to zero.
15–0	—	Reserved, should be cleared.

27.6.3 DSPI Clock and Transfer Attributes Registers 0–7 (DCTAR_n)

Each SPI transfer selects a DCTAR register from which it gets its transfer attributes. By combining these attributes the transfer is configured. The user must not write to the DCTAR registers while the DSPI is in the running state.

In master mode, the DCTAR registers define combinations of transfer attributes such as transfer size, clock phase and polarity, data bit ordering, baud rate, and various delays. When the DSPI is thus configured as an SPI master, the DTFR[CTAS] field in the command portion of the Tx FIFO entry selects which of the DCTAR registers is used.

In slave mode, a subset of the bitfields in only the DCTAR₀ registers are used to set the slave transfer attributes. See the individual bit descriptions of this register for details on which bits are used in slave modes.

	31	30	29	28	27	26	25	24	23	22	21	20	19	18	17	16
R	0	TRSZ				CPOL	CPHA	LSBFE	PCSSCK	PASC		PDT	PBR			
W																
Reset	0	1	1	1	1	0	0	0	0	0	0	0	0	0	0	0
Reg Addr	MBAR + 0x8A08															
	15	14	13	12	11	10	9	8	7	6	5	4	3	2	1	0
R	CSSCK				ASC				DT				BR			
W																
Reset	0	0	0	0	0	0	0	0	0	0	0	0	0	0	0	0
Reg Addr	MBAR + 0x8A0C (DCTAR0), 0x8A10 (DCTAR1), 0x8A14 (DCTAR2), 0x8A18 (DCTAR3), 0x8A1C (DCTAR4), 0x8A20 (DCTAR5), 0x8A24 (DCTAR6), 0x8A28 (DCTAR7)															

Figure 27-4. DSPI Clock and Transfer Attributes Register (DCTARn)

Table 27-5. DCTAR Field Descriptions

Bits	Name	Description
31	—	Reserved, should be cleared.
30–27	TRSZ	Transfer size. Selects the number of bits transferred per frame. The TRSZ field is used in master mode and slave mode. Table 27-6 lists the transfer sizes.
26	CPOL	Clock polarity. Selects the inactive state of the clock (DSPISCK). This bit is used in both master and slave mode. For successful communication between serial devices, the devices must have identical clock polarities. As explained in Section 27.7.4.5, “Continuous Selection Format,” switching between clock polarities without stopping the DSPI can cause errors in the transfer due to the peripheral device interpreting the switch of clock polarity as a valid clock edge. 0 The inactive state of DSPISCK is low 1 The inactive state of DSPISCK is high
25	CPHA	Clock phase. The CPHA bit selects which edge of DSPISCK causes data to change and which edge causes data to be captured. This bit is used in both master and slave mode. For successful communication between serial devices, the devices must have identical clock phase settings. 0 Data is captured on the leading edge of DSPISCK and changed on the following edge 1 Data is changed on the leading edge of DSPISCK and captured on the following edge
24	LSBFE	LSB first enable. Selects if the LSB or MSB of the frame is transferred first. This bit is only used in master mode. 0 Data is transferred MSB first 1 Data is transferred LSB first
23–22	PCSSCK	CS to SCK delay prescaler. The PCSSCK field selects the prescaler value for the delay between assertion of DSPICS and the first edge of the DSPISCK. This field is only used in master mode. 00 1 clock DSPICS to DSPISCK delay prescaler 01 3 clock DSPICS to DSPISCK delay prescaler 10 5 clock DSPICS to DSPISCK delay prescaler 11 7 clock DSPICS to DSPISCK delay prescaler

Table 27-5. DCTAR Field Descriptions (Continued)

Bits	Name	Description
21–20	PASC	<p>After DSPISCK delay prescaler. The PASC field selects the prescaler value for the delay between the last edge of DSPISCK and the negation of DSPICS. This field is only used in master mode.</p> <p>00 1 clock DSPISCK to DSPICS negation prescaler 01 3 clock DSPISCK to DSPICS negation prescaler 10 5 clock DSPISCK to DSPICS negation prescaler 11 7 clock DSPISCK to DSPICS negation prescaler</p>
19–18	PDT	<p>Delay after transfer prescaler. The PDT field selects the prescaler value for the delay between the negation of the DSPICS signal at the end of a frame and the assertion of DSPICS at the beginning of the next frame. The PDT field is only used in master mode.</p> <p>00 1 clock delay between DSPICS assertions prescaler 01 3 clock delay between DSPICS assertions prescaler 10 5 clock delay between DSPICS assertions prescaler 11 7 clock delay between DSPICS assertions prescaler</p>
17–16	PBR	<p>Baud rate prescaler. The PBR field selects the prescaler value for the baud rate. This field is only used in master mode. The baud rate is the frequency of the clock (DSPISCK). The system clock is divided by the prescaler value before the baud rate selection takes place.</p> <p>00 2 clock prescaler 01 3 clock prescaler 10 5 clock prescaler 11 7 clock prescaler</p>
15–12	CSSCK	<p>CS to SCK delay scaler. The CSSCK field selects the scaler value for the DSPICS to DSPISCK delay. This field is only used in master mode. The DSPICS to DSPISCK delay is the delay between the assertion of DSPICS and the first edge of the DSPISCK. Table 27-7 lists the scaler values. The PCS to SCK Delay is a multiple of the system clock period and it is computed according to the following equation:</p> $t_{CSC} = \frac{1}{f_{sys}} * PCSSCK * CSSCK$ <p>See Section 27.7.3.2, “CS to SCK Delay (tCSC)” for more details.</p>
11–8	ASC	<p>After SCK delay scaler. The ASC field selects the scaler value for the after DSPISCK delay. This field is only used in master mode. The after DSPISCK delay is the delay between the last edge of DSPISCK and the negation of DSPICS. Table 27-7 lists the scaler values. The after SCK delay is a multiple of the system clock period, and it is computed according to the following equation:</p> $t_{ASC} = \frac{1}{f_{sys}} * PASC * ASC$ <p>See Section 27.7.3.3, “After DSPISCK Delay (tASC)” for more details.</p>

Table 27-5. DCTAR Field Descriptions (Continued)

Bits	Name	Description
7–4	DT	<p>Delay after transfer scaler. The DT field selects the delay after transfer scaler. This field is only used in master mode. The delay after transfer is the time between the negation of the DSPICS signal at the end of a frame and the assertion of DSPICS at the beginning of the next frame. Table 27-7 lists the scaler values.</p> <p>The delay after transfer is a multiple of the system clock period and it is computed according to the following equation:</p> $t_{DT} = \frac{1}{f_{sys}} * PDT * DT$ <p>See Section 27.7.3.4, “Delay after Transfer (tDT)” for more details.</p>
3–0	BR	<p>Baud rate scaler. The BR field selects the scaler value for the baud rate. This field is only used in master mode. The pre-scaled system clock is divided by the baud rate scaler to generate the frequency of the DSPISCK. Table 27-8 lists the baud rate scaler values.</p> <p>The baud rate is computed according to the following equation:</p> $\text{DSPISCK baud rate} = \frac{f_{sys}}{PBR} * \frac{1}{BR}$ <p>See Section 27.7.3.1, “Baud Rate Generator” for more details.</p>

Table 27-6. DSPI Transfer Size

TRSZ Setting	Transfer Size (in bits)
0000	Reserved
0001	Reserved
0010	Reserved
0011	4
0100	5
0101	6
0110	7
0111	8
1000	9
1001	10
1010	11
1011	12
1100	13
1101	14

Table 27-6. DSPI Transfer Size (Continued)

TRSZ Setting	Transfer Size (in bits)
1110	15
1111	16

Table 27-7. Scaler for CS to DSPISCK Delay, After DSPISCK Delay, and Delay After Transfer

CSSCK/ASC/DT Setting	PCS to DSPISCK Delay Scaler Value
0000	2
0001	4
0010	8
0011	16
0100	32
0101	64
0110	128
0111	256
1000	512
1001	1024
1010	2048
1011	4096
1100	8192
1101	16384
1110	32768
1111	65536

Table 27-8. DSPI Baud Rate Scaler

BR Setting	Baud Rate Scaler Value
0000	2
0001	4
0010	6
0011	8
0100	16
0101	32

Table 27-8. DSPI Baud Rate Scaler (Continued)

BR Setting	Baud Rate Scaler Value
0110	64
0111	128
1000	256
1001	512
1010	1024
1011	2048
1100	4096
1101	8192
1110	16384
1111	32768

27.6.4 DSPI Status Register (DSR)

The DSR contains status and flag bits. The bits reflect the status of the DSPI and indicate the occurrence of events that can generate interrupt or DMA requests. Software can clear flag bits in the DSR by writing a '1' to it. Writing a '0' to a flag bit has no effect.

	31	30	29	28	27	26	25	24	23	22	21	20	19	18	17	16
R	TCF	TXRXS	0	EOQF	TFUF	0	TFFF	0	0	0	0	0	RFOF	0	RFDF	0
W																
Reset	0	0	0	0	0	0	0	0	0	0	0	0	0	0	0	0
Reg Addr	MBAR + 0x8A2C															
	15	14	13	12	11	10	9	8	7	6	5	4	3	2	1	0
R	TXCTR				TXPTR				RXCTR				RXPTR			
W																
Reset	0	0	0	0	0	0	0	0	0	0	0	0	0	0	0	0
Reg Addr	MBAR + 0x8A2C															

Figure 27-5. DSPI Status Register (DSR)

Table 27-9. DSR Field Descriptions

Bits	Name	Description
31	TCF	Transfer complete flag. The TCF bit indicates that all bits in a frame have been shifted out. The TCF bit is set at the end of the frame transfer. The TCF bit remains set until cleared by software. 0 Transfer not complete 1 Transfer complete
30	TXRXS	Transmit and receive status. The TXRXS bit reflects the status of the DSPI. See Section 27.7.1, “Start and Stop of DSPI Transfers” for information on how what causes this bit to be negated or asserted. 0 Transmit and receive operations are disabled (DSPI is in Stopped state) 1 Transmit and receive operations are enabled (DSPI is in Running state)
29	—	Reserved, should be cleared.
28	EOQF	End of queue flag. The EOQF bit indicates that transmission in progress is the last entry in a queue. The EOQF bit is set when Tx FIFO entry has the EOQ bit set in the command halfword and the end of the transfer is reached. The EOQF bit remains set until cleared by software. When the EOQF bit is set, the TXRXS bit is automatically cleared. 0 EOQ is not set in the executing command 1 EOQ is set in the executing SPI command
27	TFUF	Transmit FIFO underflow flag. The TFUF bit indicates that an underflow condition in the Tx FIFO has occurred. The transmit underflow condition is detected only for DSPI blocks operating in slave mode. The TFUF bit is set when the Tx FIFO of a DSPI operating in slave mode is empty, and a transfer is initiated by an external SPI master. The TFUF bit remains set until cleared by software. 0 Tx FIFO underflow has not occurred 1 Tx FIFO underflow has occurred
26	—	Reserved, should be cleared.
25	TFFF	Transmit FIFO fill flag. The TFFF bit provides a method for the DSPI to request more entries to be added to the Tx FIFO. The TFFF bit is set while the Tx FIFO is not full. The TFFF bit can be cleared by host software or an acknowledgement from the DMA controller when the Tx FIFO is full. 0 Tx FIFO is full 1 Tx FIFO is not full
24–20	—	Reserved, should be cleared.
19	RFOF	Receive FIFO overflow flag. The RFOF bit indicates that an overflow condition in the Rx FIFO has occurred. The bit is set when the Rx FIFO and shift register are full and a transfer is initiated. The bit remains set until cleared by software. 0 Rx FIFO overflow has not occurred 1 Rx FIFO overflow has occurred
18	—	Reserved, should be cleared
17	RFDF	Receive FIFO drain flag. The RFDF bit provides a method for the DSPI to request that entries be removed from the Rx FIFO. The bit is set while the Rx FIFO is not empty. The RFDF bit can be cleared by host software or an acknowledgement from the DMA controller when the Rx FIFO is empty. 0 Rx FIFO is empty 1 Rx FIFO is not empty
16	—	Reserved, should be cleared.

Table 27-9. DSR Field Descriptions (Continued)

Bits	Name	Description
15–12	TXCTR	Transmit FIFO counter. The TXCTR field indicates the number of valid entries in the Tx FIFO. The TXCTR is incremented every time the DRFR is written. The TXCTR is decremented every time an SPI command is executed and the SPI data is transferred to the shift register.
11–8	TXPTR	Transmit next pointer. The TXPTR field indicates which Tx FIFO entry will be transmitted during the next transfer. The TXPTR field is updated every time SPI data is transferred from the Tx FIFO to the shift register. See Section 27.7.2.4, “Tx FIFO Buffering Mechanism” for more details. Values are the following: 0000 DTFDR0 0001 DTFDR1 0010 DTFDR2 0011 DTFDR3
7–4	RXCTR	Receive FIFO counter. The RXCTR field indicates the number of entries in the Rx FIFO. The RXCTR is decremented every time the DRFR is read. The RXCTR is incremented every time data is transferred from the shift register to the Rx FIFO.
3–0	RXPTR	Receive next pointer. The RXPTR field contains a pointer to the Rx FIFO entry that will be returned when the DRFR is read. The RXPTR is updated when the DRFR is read. See Section 27.7.2.5, “Rx FIFO Buffering Mechanism” for more details. Values are the following: 0000 DRFDR0 0001 DRFDR1 0010 DRFDR2 0011 DRFDR3

27.6.5 DSPI DMA/Interrupt Request Select Register (DIRSR)

The DIRSR serves two purposes. It enables flag bits in the DSR to generate DMA requests or interrupt requests. The DIRSR also selects the type of request to be generated. See the individual bit descriptions for information on the types of requests supported. The user must not write to the DIRSR while the DSPI is in the running state.

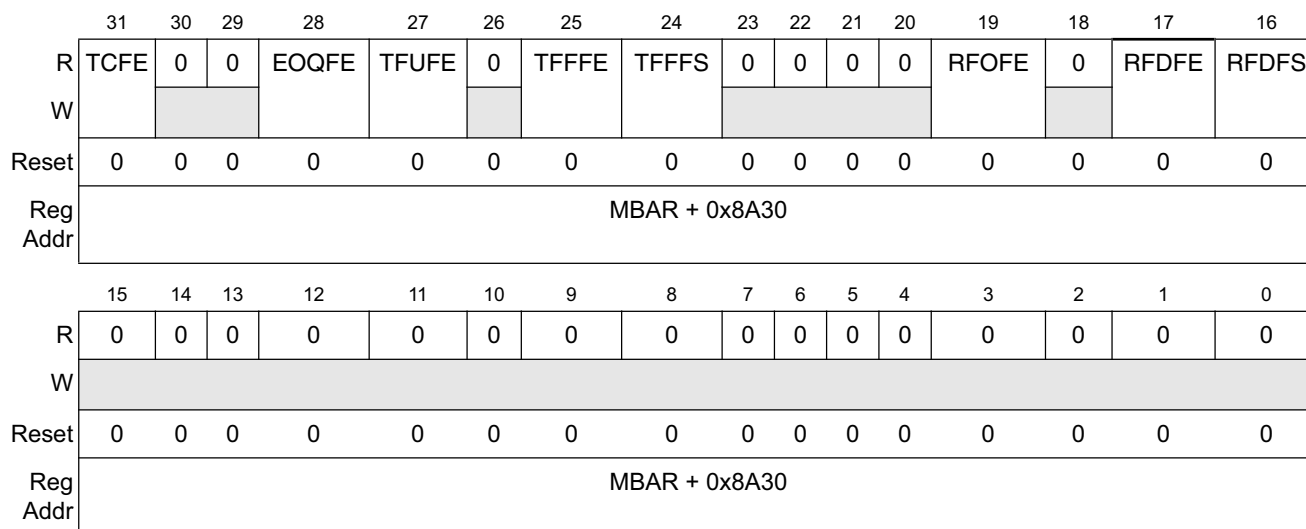


Figure 27-6. DSPI DMA/Interrupt Request Select Register (DIRSR)

Table 27-10. DIRSR Field Descriptions

Bits	Name	Description
31	TCFE	Transfer complete flag interrupt enable. The TCFE bit enables TCF flag in the DSR to generate an interrupt request. 0 TCF interrupts are disabled 1 TCF interrupts are enabled
30–29	—	Reserved, should be cleared.
28	EOQFE	End of queue flag interrupt enable. The EOQFE bit enables the EOQF flag in the DSR to generate an interrupt request. 0 EOQ interrupts are disabled 1 EOQ interrupts are enabled
27	TFUFE	Transmit FIFO underflow flag interrupt enable. The TFUFE bit enables the TFUF flag in the DSR to generate an interrupt request. 0 TFUF interrupts are disabled 1 TFUF interrupts are enabled
26	—	Reserved, should be cleared.
25	TFFFE	Transmit FIFO fill flag enable. The TFFFE bit enables the TFFF flag in the DSR to generate a request. The TFFFS bit selects between generating an interrupt request or a DMA request. 0 TFFF interrupts or DMA requests are disabled 1 TFFF interrupts or DMA requests are enabled
24	TFFFS	Transmit FIFO fill DMA or interrupt request select. When the TFFF flag bit in the DSR is set, and the TFFFE bit in the DIRSR register is set, this bit selects between generating an interrupt request or a DMA request. 0 TFFF flag generates interrupt requests 1 TFFF flag generates DMA requests
23–20	—	Reserved, should be cleared.

Table 27-10. DIRSR Field Descriptions (Continued)

Bits	Name	Description
19	RFOFE	Receive FIFO overflow flag interrupt enable. The RFOFE bit enables the RFOF flag in the DSR to generate an interrupt request. 0 RFOF interrupts are disabled 1 RFOF interrupts are enabled
18	—	Reserved, should be cleared
17	RFD FE	Receive FIFO drain flag interrupt enable. The RFD FE bit enables the RFDF flag in the DSR to generate a request. The RFD FS bit selects between generating an interrupt request or a DMA request. 0 RFDF interrupts are disabled 1 RFDF interrupts are enabled
16	RFD FS	Receive FIFO drain DMA or interrupt request select. When the RFDF flag bit in the DSR is set, and the RFD FE bit in the DIRSR register is set, this bit selects between generating an interrupt request or a DMA request. 0 RFDF flag generates interrupt requests 1 RFDF flag generates DMA requests
15-0	—	Reserved, should be cleared.

27.6.6 DSPI Tx FIFO Register (DTFR)

The DTFR provides a means to write to the Tx FIFO. SPI commands and data written to this register are transferred to the Tx FIFO. See [Section 27.7.2.4, “Tx FIFO Buffering Mechanism”](#) for more information. 8- or 16-bit write accesses to the DTFR will transfer 32 bits to the Tx FIFO.

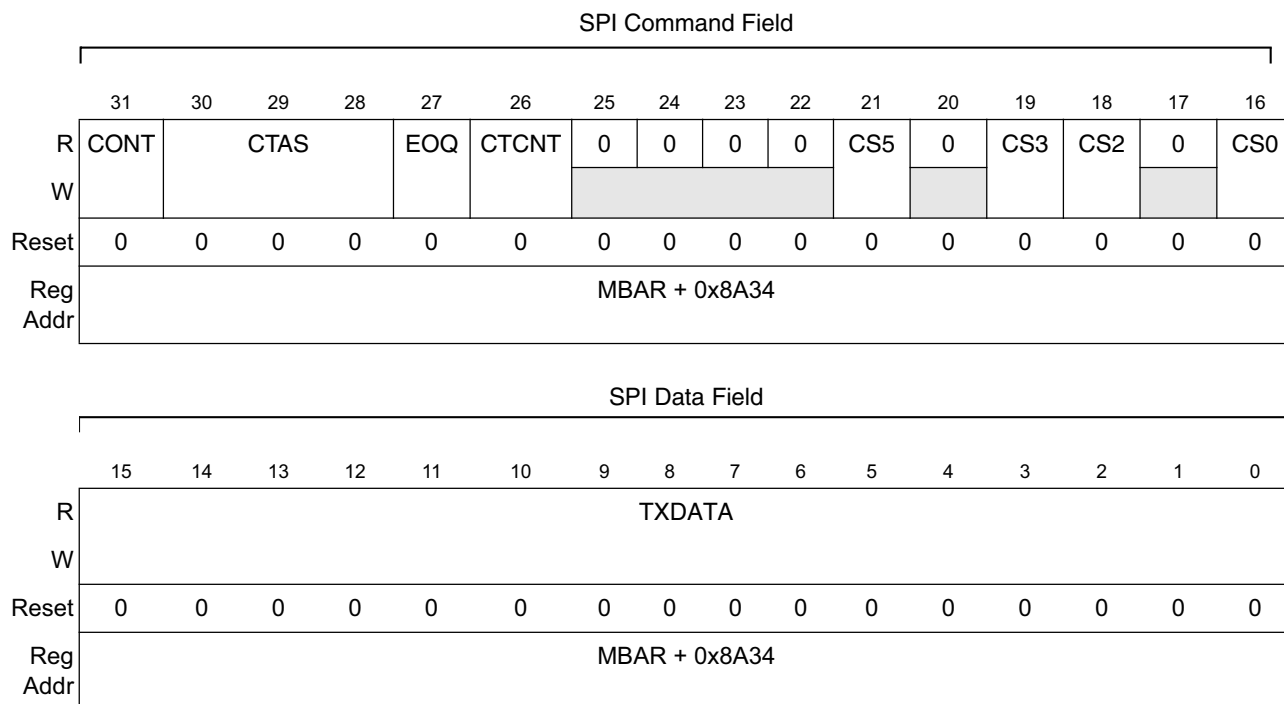


Figure 27-7. DSPI Tx FIFO Register (DTFR)

Table 27-11. DTFR Field Descriptions

Bits	Name	Description
31	CONT	Continuous peripheral chip select enable. The CONT bit selects a continuous selection format. The bit is used in SPI master mode. The bit enables the selected DSPICSn signals to remain asserted between transfers. See Section 27.7.4.5, "Continuous Selection Format" for more information. 0 DSPICSn signals return to their inactive state between transfers 1 DSPICSn signals stay asserted between transfers
30–28	CTAS	Clock and transfer attributes select. The CTAS field selects which of the DCTAR registers is used to set the transfer attributes for the associated SPI frame. The field is only used in SPI master mode. In SPI slave mode DCTAR0 is used. The number of DSPI_CTAR registers is implementation specific. 000 DCTAR0 determines clock and attributes for transfer 001 DCTAR1 determines clock and attributes for transfer 010 DCTAR2 determines clock and attributes for transfer 011 DCTAR3 determines clock and attributes for transfer 100 DCTAR4 determines clock and attributes for transfer 101 DCTAR5 determines clock and attributes for transfer 110 DCTAR6 determines clock and attributes for transfer 111 DCTAR7 determines clock and attributes for transfer
27	EOQ	End of queue. The EOQ bit provides a means for host software to signal to the DSPI that the current SPI transfer is the last in a queue. At the end of the transfer the EOQF bit in the DSR is set. 0 The SPI data is not the last data to transfer 1 The SPI data is the last data to transfer
26	CTCNT	Clear SPI_TCNT. The CTCNT provides a means for host software to clear the SPI transfer counter. The CTCNT bit clears the SPI_TCNT field in the DTCR register. The SPI_TCNT field is cleared before transmission of the current SPI frame begins. 0 Do not clear DTCR[SPI_TCNT] 1 Clear DTCR[SPI_TCNT]
25–22, 20, 17	—	Reserved, should be cleared.
21, 19, 18, 16	CSn	DSPI chip select. The CSn bits select which DSPICSn signals will be asserted for the transfer. 0 Negate the DSPICSn signal 1 Assert the DSPICSn signal
15–0	TXDATA	Transmit data. The TXDATA field holds SPI data to be transferred according to the associated SPI command.

27.6.7 DSPI Rx FIFO Register (DRFR)

The DRFR provides a means to read the Rx FIFO. See [Section 27.7.2.5, "Rx FIFO Buffering Mechanism"](#) for a description of the Rx FIFO operations. 8- or 16-bit read accesses to the DRFR will read from the Rx FIFO and update the counter and pointer.

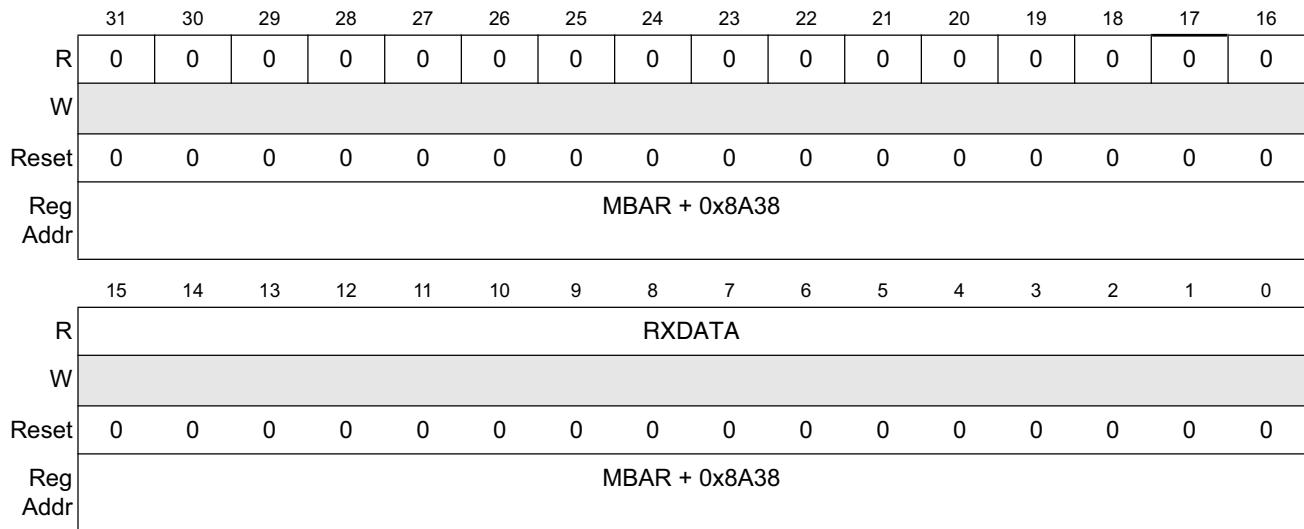


Figure 27-8. DSPI Rx FIFO Register (DRFR)

Table 27-12. DRFR Field Descriptions

Bits	Name	Description
31–16	—	Reserved, should be cleared.
15–0	RXDATA	Received data. The RXDATA field contains the SPI data from the Rx FIFO entry pointed to by the receive next data pointer.

27.6.8 DSPI Tx FIFO Debug Registers 0–3 (DTFDR_n)

The DTFDR_n registers provide visibility into the Tx FIFO for debugging purposes. Each register is an entry in the Tx FIFO. The registers are read-only and cannot be modified. Reading the DTFDR_n registers does not alter the state of the Tx FIFO.

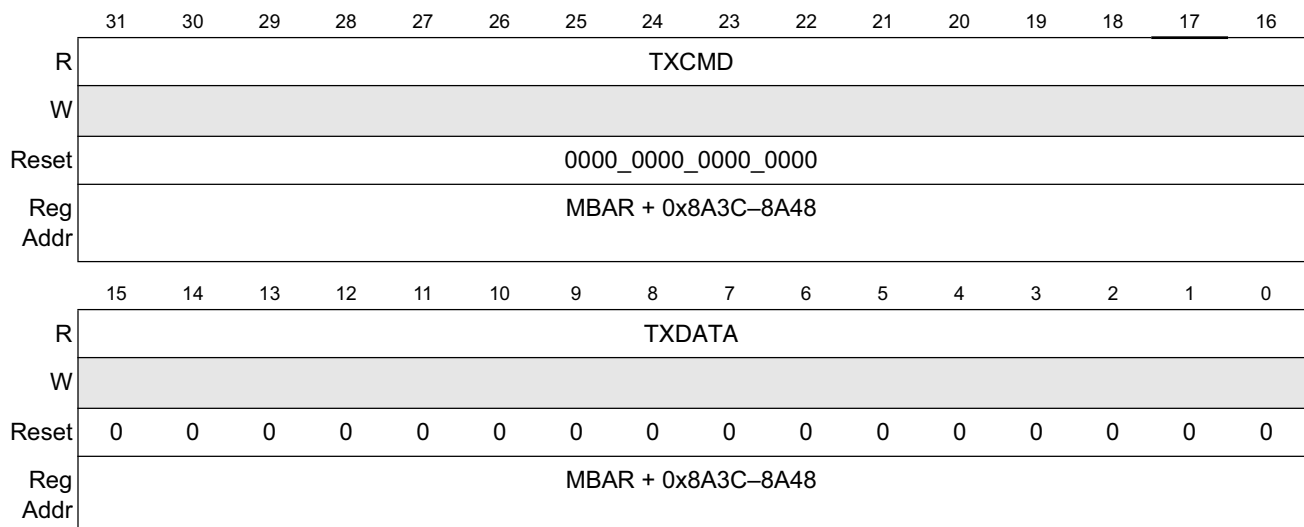
Figure 27-9. DSPI Tx FIFO Debug Register (DTFDR_n)

Table 27-13. DTFDRx Field Descriptions

Bits	Name	Description
31–16	TXCMD	Transmit command. The TXCMD field contains the command that sets the transfer attributes for the SPI data. Commands include the following: CONT Select a continuous chip format CTAS Select clock and transfer attributes EOQ Enable an end of queue bit for the transfer CTCNT Clear the SPI transfer counter CS n Select which DSPICS signal is asserted for the transfer in question See Section 27.6.6, “DSPI Tx FIFO Register (DTFR)” for details on the command field.
15–0	TXDATA	Transmit data. The TXDATA field contains the SPI data to be shifted out.

27.6.9 DSPI Rx FIFO Debug Registers 0–3 (DRFDR n)

The DRFDR0 – DRFDR3 registers provide visibility into the Rx FIFO for debugging purposes. Each register is an entry in the Rx FIFO. The DRFDR registers are read-only. Reading the DRFDR x registers does not alter the state of the Rx FIFO.

	31	30	29	28	27	26	25	24	23	22	21	20	19	18	17	16
R	0	0	0	0	0	0	0	0	0	0	0	0	0	0	0	0
W																
Reset	0	0	0	0	0	0	0	0	0	0	0	0	0	0	0	0
Reg Addr	MBAR + 0x8A7C–8A88															
	15	14	13	12	11	10	9	8	7	6	5	4	3	2	1	0
R	RXDATA															
W																
Reset	0	0	0	0	0	0	0	0	0	0	0	0	0	0	0	0
Reg Addr	MBAR + 0x8A7C–8A88															

Figure 27-10. DSPI Rx FIFO Debug Register (DRFDR x)

Table 27-14. DRFDRx Field Descriptions

Bits	Name	Description
31–16	—	Reserved, should be cleared.
15–0	RXDATA	Received data. The RXDATA field contains the SPI data from the Rx FIFO entry pointed to by the receive next data pointer.

27.7 Functional Description

The DMA serial peripheral interface (DSPI) block provides a synchronous serial bus for communication between an MCU and an external peripheral device. The DSPI supports up to eight queued SPI transfers

at once (four transmit and four receive) in the DSPI resident FIFOs, thereby eliminating CPU intervention between transfers.

The DCTAR n registers hold clock and transfer attributes. The SPI configuration can select which CTAR to use on a frame-by-frame basis by setting a field in the SPI command. See [Section 27.6.3, “DSPI Clock and Transfer Attributes Registers 0–7 \(DCTAR \$n\$ \)”](#) for information on the fields of the DCTAR registers.

The 16-bit shift register in the master and the 16-bit shift register in the slave are linked by the DSPISOUT and DSPISIN signals to form a distributed 32-bit register. When a data transfer operation is performed, data is serially shifted a predetermined number of bit positions. Because the registers are linked, data is exchanged between the master and the slave; the data that was in the master’s shift register is now in the shift register of the slave, and vice versa. At the end of a transfer, the DSR[TCF] bit is set to indicate a completed transfer. Figure 27-11 illustrates how master and slave data is exchanged.

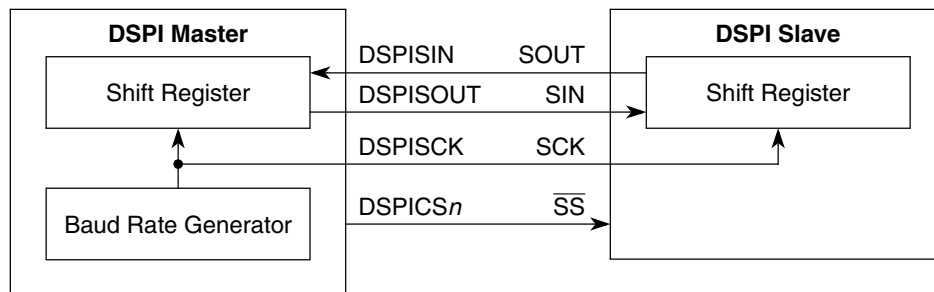


Figure 27-11. SPI Serial Protocol Overview

The DSPI has four peripheral chip select signals that are used to select which of the slaves to communicate with: DSPICS5, DSPICS3, DSPICS1, and DSPICS0.

The transfer rate and delay settings are described in section [Section 27.7.3, “DSPI Baud Rate and Clock Delay Generation.”](#)

27.7.1 Start and Stop of DSPI Transfers

The DSPI has two operating states; stopped and running. The states are independent of DSPI configuration. The default state of the DSPI is stopped. In the stopped state, no serial transfers are initiated in master mode and no transfers are responded to in slave mode. The stopped state is also a safe state for writing the various configuration registers of the DSPI without causing undetermined results. The DSR[TXRXS] bit is cleared in this state. In the running state, serial transfers take place. The DSR[TXRXS] bit is set in the running state. [Figure 27-12](#) shows a state diagram of the start and stop mechanism. The transitions are described in [Table 27-15](#).

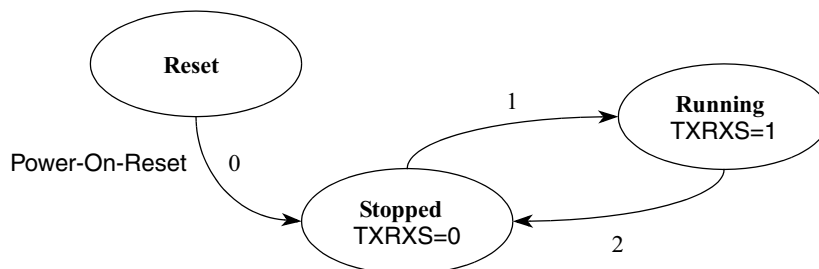


Figure 27-12. DSPI Start and Stop State Diagram

Table 27-15. State Transitions for Start and Stop of DSPI Transfers

Transition #	Current State	Next State	Description
0	Reset	Stopped	Generic power-on-reset transition
1	Stopped	Running	The DSPI is started (DSPI transitions to Running) when all of the following conditions are true: <ul style="list-style-type: none"> • EOQF bit is clear • Debug mode is unselected or the FRZ bit is clear • HALT bit is clear
2	Running	Stopped	The DSPI stops (transitions from Running to Stopped) after the current frame for any one of the following conditions: <ul style="list-style-type: none"> • EOQF bit is set • Debug mode is selected and the FRZ bit is set • HALT bit is set

State transitions from running to stopped occur on the next frame boundary if a transfer is in progress, or on the next system clock cycle if no transfers are in progress.

27.7.2 Serial Peripheral Interface (SPI)

The SPI transfers data serially using a shift register and a selection of programmable transfer attributes. The SPI frames can be from 4 to 16 bits long. The data to be transmitted can come from queues stored in RAM external to the DSPI. Host software or the DMA controller can transfer the SPI data from the queues to a FIFO. The received data is stored in entries in the receive FIFO (Rx FIFO) buffer. Host software or the DMA controller transfer the received data from the Rx FIFO to memory external to the DSPI. The FIFO buffer operations are described in [Section 27.7.2.4, “Tx FIFO Buffering Mechanism”](#) and [Section 27.7.2.5, “Rx FIFO Buffering Mechanism.”](#) The interrupt and DMA request conditions are described in [Section 27.7.6, “Interrupts/DMA Requests.”](#)

The SPI supports two block-specific modes: master mode and slave mode. The FIFO operations are similar for both modes. The main difference is that in master mode the DSPI initiates and controls the transfer according to the fields in the SPI command field of the Tx FIFO entry. In slave mode, the DSPI only responds to transfers initiated by a bus master external to the DSPI, and the SPI command field of the Tx FIFO entry is ignored.

27.7.2.1 Master Mode

In SPI master mode, the DSPI initiates the serial transfers by controlling the serial communications clock (DSPISCK) and the peripheral chip select (DSPICSn) signals. The SPI command field in the executing Tx FIFO entry determines which DCTAR register will be used to set the transfer attributes and which DSPICSn signals to assert. The command field also contains various bits that help with queue management and transfer protocol. See [Section 27.6.6, “DSPI Tx FIFO Register \(DTFR\)”](#) for details on the SPI command fields. The data field in the executing Tx FIFO entry is loaded into the shift register and shifted out on the serial out (DSPISOUT) pin. In SPI master mode, each SPI frame to be transmitted has a command associated with it, allowing for transfer attribute control on a frame-by-frame basis.

27.7.2.2 Slave Mode

In SPI slave mode, the DSPI responds to transfers initiated by an SPI bus master. The DSPI does not initiate transfers. Certain transfer attributes such as clock polarity, clock phase, and frame size must be set

for successful communication with an SPI master. These SPI slave mode transfer attributes are set in the DCTAR0.

27.7.2.3 FIFO Disable Operation

The FIFO disable mechanisms allow SPI transfers without using the Tx FIFO or Rx FIFO. The DSPI operates as a double-buffered simplified SPI when the FIFOs are disabled. The Tx and Rx FIFOs are disabled separately. The Tx FIFO is disabled by setting DMCR[DTXF]. The Rx FIFO is disabled by setting DMCR[DRXF].

The FIFO disable mechanisms are transparent to the user and to host software; transmit data and commands are written to the DTFR and received data is read from the DRFR. When the Tx FIFO is disabled, the TFFF, TFUF, and TXCTR fields in DSR behave as if there is a one-entry FIFO, but the contents of the DTFDR registers and DSR[TXPTR] are undefined. When the Rx FIFO is disabled, the RFDF, RFOF, and RXCTR fields in the DSR behave as if there is a one-entry FIFO, but the contents of the DRFDR registers and DSR[RXPTR] are undefined.

27.7.2.4 Tx FIFO Buffering Mechanism

The Tx FIFO functions as a buffer of SPI data and SPI commands for transmission. The Tx FIFO holds from 1 to 16 longwords, each consisting of a command field and a data field. SPI commands and data are added to the Tx FIFO by writing to the DTFR. Tx FIFO entries can only be removed from the Tx FIFO by being shifted out or by flushing the Tx FIFO.

The DSR[TXCTR] field indicates the number of valid entries in the Tx FIFO. The TXCTR is updated every time the DTFR is written or when SPI data is transferred into the shift register from the Tx FIFO.

The DSR[TXPTR] field indicates which Tx FIFO entry will be transmitted during the next transfer. The TXPTR contains the positive offset from DTFDR0 in the number of 32-bit registers. For example, TXPTR equal to two means that the DTFDR2 contains the SPI data and command for the next transfer. The TXPTR field is incremented every time SPI data is transferred from the Tx FIFO to the shift register.

27.7.2.4.1 Filling the Tx FIFO

Host software or other intelligent blocks can add (push) entries to the Tx FIFO by writing to the DTFR. When the Tx FIFO is not full, the Tx FIFO fill flag (DSR[TFFF]) is set. The TFFF bit is cleared when Tx FIFO is full and the DMA controller indicates that a write to DTFR is complete or by host software writing a '1' to the DSR[TFFF]. The TFFF can generate a DMA request or an interrupt request. See [Section 27.7.6.2, “Transmit FIFO Fill Interrupt or DMA Request”](#) for details.

The DSPI ignores attempts to push data to a full Tx FIFO, i.e. the state of the Tx FIFO is unchanged. No error condition is indicated.

27.7.2.4.2 Draining the Tx FIFO

The Tx FIFO entries are removed (drained) by shifting SPI data out through the shift register. Entries are transferred from the Tx FIFO to the shift register and shifted out, as long as there are valid entries in the Tx FIFO. Every time an entry is transferred from the Tx FIFO to the shift register, the Tx FIFO counter is decremented by one. At the end of a transfer, the DSR[TCF] bit is set to indicate the completion of a transfer. The Tx FIFO is flushed by setting the DMCR[CTXF] bit.

If an external bus master initiates a transfer with a DSPI slave while the slave's DSPI Tx FIFO is empty, the Tx FIFO underflow flag (DSR[FUF]) is set. See [Section 27.7.6.4, “Transmit FIFO Underflow Interrupt Request”](#) for details.

27.7.2.5 Rx FIFO Buffering Mechanism

The Rx FIFO functions as a buffer for data received on the DSPISIN signal. The Rx FIFO holds from 1 to 16 received SPI data frames. SPI data is added to the Rx FIFO at the completion of a transfer when the received data in the shift register is transferred into the Rx FIFO. SPI data is removed (popped) from the Rx FIFO by reading the DRFR. Rx FIFO entries can only be removed from the Rx FIFO by reading the DRFR or by flushing the Rx FIFO.

The Rx FIFO counter field (DSR[RXCTR]) indicates the number of valid entries in the Rx FIFO. The RXCTR is updated every time the DRFR is read or when SPI data is copied from the shift register to the Rx FIFO.

The DSR[RXPTR] field points to the Rx FIFO entry that is returned when the DRFR is read. The RXPTR contains the positive offset from DRFDR0 in the number of 32-bit registers. For example, RXPTR equal to two means that the DRFDR2 contains the received SPI data that will be returned when DRFR is read. The RXPTR field is incremented every time the DRFR is read.

27.7.2.5.1 Filling the Rx FIFO

The Rx FIFO is filled with the received SPI data from the shift register. While the Rx FIFO is not full, SPI frames from the shift register are transferred to the Rx FIFO. Every time an SPI frame is transferred to the Rx FIFO, the Rx FIFO counter is incremented by one.

If the Rx FIFO and shift register are full and a transfer is initiated, the DSR[RFOF] bit is set indicating an overflow condition. Depending on the state of the DMCR[ROOE] bit, the data from the transfer that generated the overflow is either ignored or shifted into the shift register. If the ROOE bit is set, the incoming data is shifted into the shift register and data is overwritten. If the ROOE bit is cleared, the incoming data is ignored.

27.7.2.5.2 Draining the Rx FIFO

Host software or the DMA controller can remove (pop) entries from the Rx FIFO by reading the DRFR. A read of the DRFR decrements the Rx FIFO counter by one. Attempts to pop data from an empty Rx FIFO are ignored, the Rx FIFO counter remains unchanged. The data returned from reading an empty Rx FIFO is undetermined.

When the Rx FIFO is not empty, the Rx FIFO drain flag (DSR[RFDF]) is set. The RFDF bit is cleared when the Rx FIFO is empty and the DMA controller indicates that a read from DRFR is complete or by host software writing a '1' to the RFDF.

27.7.3 DSPI Baud Rate and Clock Delay Generation

The DSPISCK frequency and the delay values for serial transfer are generated by dividing the system clock frequency by a prescaler and a scaler. Figure 27-13 shows conceptually how the DSPISCK signal is generated. For the MCF547x, the clock rate is 133 MHz.

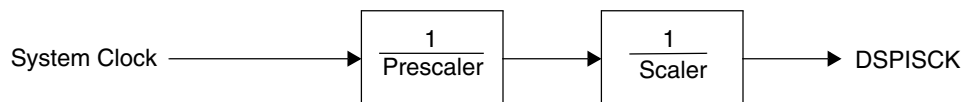


Figure 27-13. Communications Clock Prescalers and Scalers

27.7.3.1 Baud Rate Generator

The baud rate is the frequency of the DSPISCK serial communication clock (DSPISCK). The system clock f_{sys} is divided by a prescaler (PBR) and scaler (BR) to produce DSPISCK. The PBR and BR fields in the DCTAR n registers select the frequency of DSPISCK by the formula below:

$$\text{DSPISCK baud rate} = \frac{f_{\text{sys}}}{\text{PBR} \times \text{BR}}$$

Table 27-16 shows an example of how to compute the baud rate.

Table 27-16. Baud Rate Computation Example

PBR	Prescaler	BR	Scaler	Fsys	Baud Rate
0b00	2	0b0000	2	100 MHz	25 Mb/s

27.7.3.2 CS to SCK Delay (t_{CSC})

The CS to SCK delay is the length of time from assertion of the DSPICS n signal to the first DSPISCK edge. See Figure 27-17 for an illustration of the CS to SCK delay. The PCSSCK and CSSCK fields in the DCTAR n registers select the CS to SCK delay by the formula below:

$$t_{\text{CSC}} = \frac{1}{f_{\text{sys}}} \times \text{PCSSCK} \times \text{CSSCK}$$

Table 27-17 shows an example of how to compute the CS to SCK delay.

Table 27-17. PCS to DSPISCK Delay Computation Example

PCSSCK	Prescaler	CSSCK	Scaler	Fsys	PCS to DSPISCK Delay
0b01	3	0b0100	32	100 MHz	0.96 us

27.7.3.3 After DSPISCK Delay (t_{ASC})

The after DSPISCK delay is the length of time between the last edge of DSPISCK and the negation of DSPICS n . See Figure 27-15 and Figure 27-16 for illustrations of the after DSPISCK delay. The PASC and ASC fields in the DCTAR n registers select the after DSPISCK delay by the formula below:

$$t_{\text{ASC}} = \frac{1}{f_{\text{sys}}} \times \text{PASC} \times \text{ASC}$$

Table 27-18 shows an example of how to compute the after DSPISCK delay.

Table 27-18. After DSPISCK Delay Computation Example

PASC	Prescaler	ASC	Scaler	Fsys	After DSPISCK Delay
0b01	3	0b0100	32	100 MHz	0.96 us

27.7.3.4 Delay after Transfer (t_{DT})

The delay after transfer is the length of time between negation of the DSPICS $_n$ signal for a frame and the assertion of the DSPICS $_n$ signal for the next frame. See Figure 27-15 for an illustration of the delay after transfer. The PDT and DT fields in the DCTAR $_n$ registers select the delay after transfer by the formula below:

$$t_{DT} = \frac{1}{f_{sys}} \times PDT \times DT$$

Table 27-19 shows an example of how to compute the delay after transfer.

Table 27-19. Delay after Transfer Computation Example

PDT	Prescaler	DT	Scaler	Fsys	Delay after Transfer
0b01	3	0b1110	32768	100 MHz	0.98 ms

27.7.3.5 Peripheral Chip Select Strobe Enable (\overline{PCSS})

The \overline{PCSS} signal provides a delay to allow the DSPICS $_n$ signals to settle after transitioning, thereby avoiding glitches. When the DSPI is in master mode and DMCR[PCSSE] bit is set, \overline{PCSS} provides a signal for an external demultiplexer to decode the DSPICS $_n[0,2:3]$ signals into as many as eight glitch-free DSPICS $_n$ signals. Figure 27-14 shows the timing of the \overline{PCSS} signal relative to PCS signals.

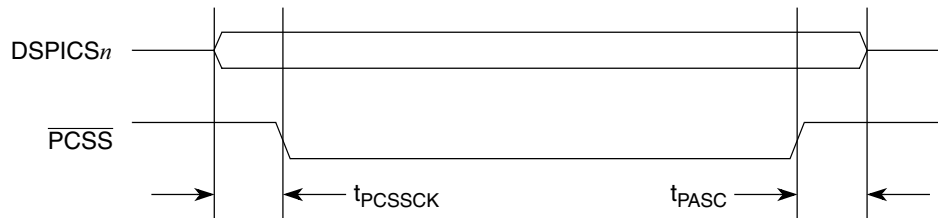


Figure 27-14. Peripheral Chip Select Strobe Timing

The delay between the assertion of the DSPICS $_n$ signals and the assertion of \overline{PCSS} is selected by the PCSSCK field in the DCTAR $_n$ based on the following formula:

$$t_{PCSSCK} = \frac{1}{f_{sys}} \times PCSSCK$$

At the end of the transfer the delay between \overline{PCSS} negation and DSPICS $_n$ negation is selected by the PASC field in the DCTAR $_n$ based on the following formula:

$$t_{PASC} = \frac{1}{f_{sys}} \times PASC$$

Table 27-20 shows an example of how to compute the t_{pcssck} delay.

Table 27-20. Peripheral Chip Select Strobe Assert Computation Example

PCSSCK	Prescaler	Fsys	Delay before Transfer
0b11	7	100 MHz	70.0 ns

Table 27-21 shows an example of how to compute the t_{pasc} delay.

Table 27-21. Peripheral Chip Select Strobe Negate Computation Example

PASC	Prescaler	Fsys	Delay after Transfer
0b11	7	100 MHz	70.0 ns

NOTE

The $\overline{\text{PCSS}}$ signal is not supported when continuous DSPISCK is enabled (CONT=1).

27.7.4 Transfer Formats

The SPI serial communication is controlled by the serial communications clock (DSPISCK) signal and the DSPICS n signals. The DSPISCK signal provided by the master device synchronizes shifting and sampling of the data on the DSPISIN and DSPISOUT pins. The DSPICS n signals serve as enable signals for the slave devices.

When the DSPI is the bus master, the CPOL and CPHA bits in the DSPI clock and transfer attributes registers (DCTAR n) select the polarity and phase of the clock. The polarity bit selects the idle state of DSPISCK. The clock phase bit selects if the data on DSPISOUT is valid before or on the first DSPISCK edge.

When the DSPI is the bus slave, CPOL and CPHA bits in the DCTAR0 select the polarity and phase of the serial clock. Even though the bus slave does not control the DSPISCK signal, the clock polarity, clock phase, and number of bits to transfer settings for both the master and slave must be identical to ensure proper transmission.

The DSPI supports four different transfer formats:

- Classic SPI with CPHA = 0
- Classic SPI with CPHA = 1
- Modified transfer format with CPHA = 0
- Modified transfer format with CPHA = 1

A modified transfer format is supported to allow for high-speed communication with peripherals that require longer setup times. The DSPI can sample the incoming data later than halfway through the cycle to give the peripheral more setup time. The DMCR[MTFE] bit selects between classic SPI format and modified transfer format. The modified transfer formats are described in [Section 27.7.4.3, “Modified SPI Transfer Format \(MTFE = 1, CPHA = 0\)”](#) and [Section 27.7.4.4, “Modified SPI Transfer Format \(MTFE = 1, CPHA = 1\).”](#)

The classic SPI formats are described in [Section 27.7.4.1, “Classic SPI Transfer Format \(CPHA = 0\)”](#) and [Section 27.7.4.2, “Classic SPI Transfer Format \(CPHA = 1\).”](#)

The DSPI provides the option of keeping the DSPICS n signals asserted between frames. See [Section 27.7.4.5, “Continuous Selection Format”](#) for details.

27.7.4.1 Classic SPI Transfer Format (CPHA = 0)

The transfer format shown in Figure 27-15 is used to communicate with peripheral SPI slave devices where the first data bit is available on the first clock edge. In this format, the master and slave sample their DSPISIN pins on the odd-numbered DSPISCK edges and change the data on their DSPISOUT pins on the even-numbered DSPISCK edges.

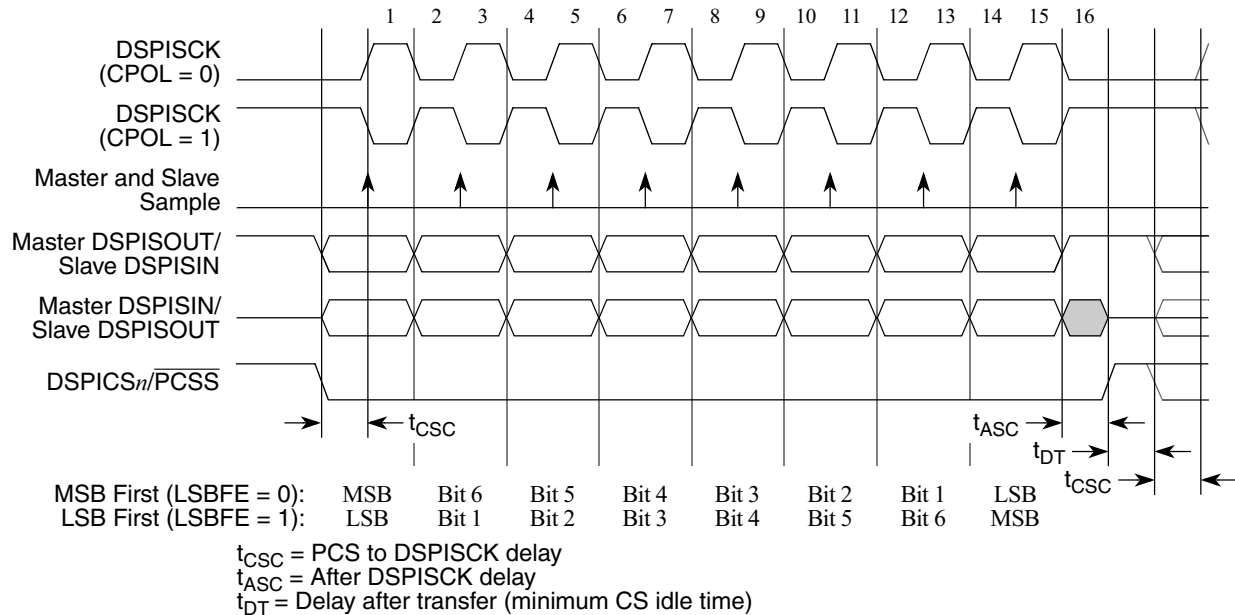


Figure 27-15. DSPI Transfer Timing Diagram (MFE = 0, CPHA = 0, FMSZ = 8)

The master initiates the transfer by placing its first data bit on the DSPISOUT pin and asserting the appropriate peripheral chip select signals to the slave device. The slave responds by placing its first data bit on its DSPISOUT pin. After the t_{CSC} delay has elapsed, the master outputs the first edge of DSPISCK. This is the edge used by the master and slave devices to sample the first input data bit on their serial data input signals. At the second edge of the DSPISCK, the master and slave devices place their second data bit on their serial data output signals. For the rest of the frame, the master and the slave sample their DSPISIN pins on the odd-numbered clock edges and change the data on their DSPISOUT pins on the even-numbered clock edges. After the last clock edge occurs, a delay of t_{ASC} is inserted before the master negates the CS $_n$ signals. A delay of t_{DT} is inserted before a new frame transfer can be initiated by the master.

27.7.4.2 Classic SPI Transfer Format (CPHA = 1)

This transfer format shown in Figure 27-16 is used to communicate with peripheral SPI slave devices that require the first DSPISCK edge before the first data bit becomes available on the slave DSPISOUT pin. In this format the master and slave devices change the data on their DSPISOUT pins on the odd-numbered DSPISCK edges and sample the data on their DSPISIN pins on the even-numbered DSPISCK edges

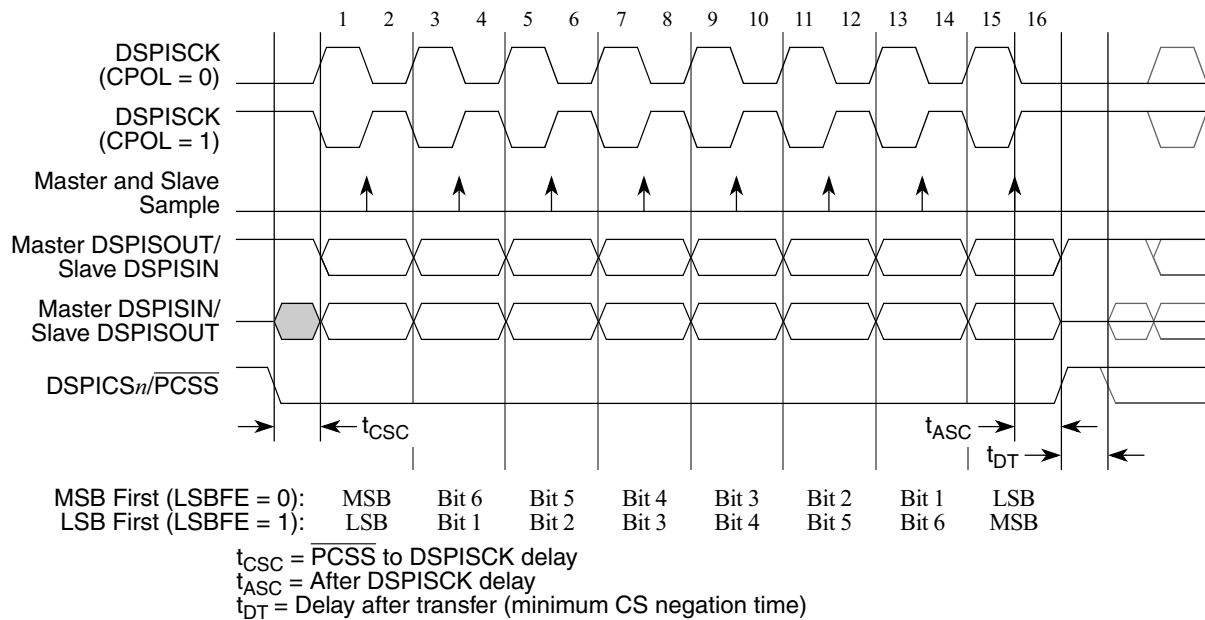


Figure 27-16. DSPI Transfer Timing Diagram (MTFE = 0, CPHA = 1, FMSZ = 8)

The master initiates the transfer by asserting the CS_n signal to the slave. After the t_{CSC} delay has elapsed, the master generates the first DSPISCK edge and, at the same time, places valid data on the master DSPISOUT pin. The slave responds to the first DSPISCK edge by placing its first data bit on its slave DSPISOUT pin.

At the second edge of the DSPISCK, the master and slave sample their DSPISIN pins. For the rest of the frame, the master and the slave change the data on their DSPISOUT pins on the odd-numbered clock edges and sample their DSPISIN pins on the even-numbered clock edges. After the last clock edge occurs, a delay of t_{ASC} is inserted before the master negates the PCSS signal. A delay of t_{DT} is inserted before a new frame transfer can be initiated by the master.

27.7.4.3 Modified SPI Transfer Format (MTFE = 1, CPHA = 0)

In this modified transfer format, both the master and the slave sample later in the DSPISCK period than in classic SPI mode to allow for delays in device pads and board traces. These delays become a more significant fraction of the DSPISCK period as the DSPISCK period decreases with increasing baud rates.

The master and the slave place data on the DSPISOUT pins at the assertion of the CS_n signal. After the CS_n to DSPISCK delay has elapsed the first DSPISCK edge is generated. The slave samples the master DSPISOUT signal on every odd numbered DSPISCK edge. The slave also places new data on the slave DSPISOUT on every odd numbered clock edge.

The master places its second data bit on the DSPISOUT line one system clock after odd numbered DSPISCK edge. The point where the master samples the slave DSPISOUT is selected by writing to the DMCR[SMPL_PT] field lists the number of system clock cycles between the active edge of DSPISCK and the master sample point. The master sample point can be delayed by one or two system clock cycles.

Figure 27-17 shows the modified transfer format for CPHA = 0. Only the condition where CPOL = 0 is illustrated. The delayed master sample points are indicated with a lighter shaded arrow.

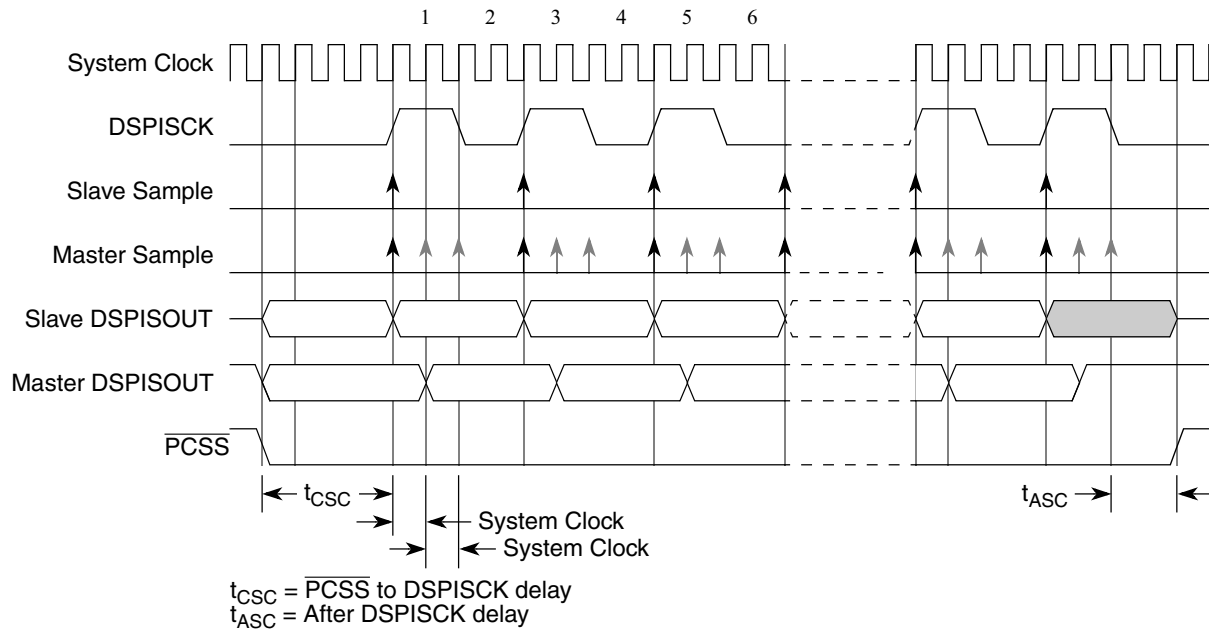


Figure 27-17. DSPI Modified Transfer Format (MTFE = 1, CPHA = 0, F_{sck} = F_{sys}/4)

27.7.4.4 Modified SPI Transfer Format (MTFE = 1, CPHA = 1)

Figure 27-18 shows the modified transfer format for CPHA = 1. Only the condition where CPOL = 0 is described. At the start of a transfer the DSPI asserts the CS_n signal to the slave device. After the CS to DSPISCK delay has elapsed, the master and the slave put data on their DSPISOUT pins at the first edge of DSPISCK. The slave samples the master DSPISOUT signal on the even numbered edges of DSPISCK. The master samples the slave DSPISOUT signal on the odd numbered DSPISCK edges, starting with the third DSPISCK edge. The slave samples the last bit on the last edge of the DSPISCK. The master samples the last slave DSPISOUT bit one-half DSPISCK cycle after the last edge of DSPISCK. No clock edge will

be visible on the master DSPISCK pin during the sampling of the last bit. The DSPISCK to CS delay must be greater or equal to half of the DSPISCK period.

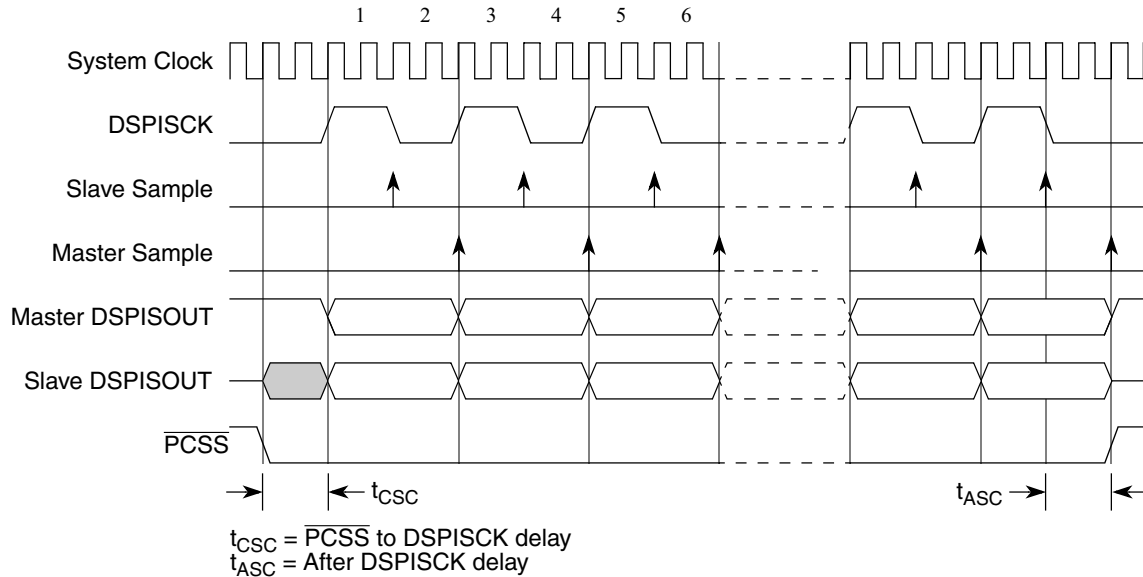


Figure 27-18. DSPI Modified Transfer Format (MTFE = 1, CPHA = 1, F_{sck} = F_{sys}/4)

27.7.4.5 Continuous Selection Format

Some peripherals must be deselected between every transfer. Other peripherals must remain selected between several sequential serial transfers. The continuous selection format provides the flexibility to handle both cases. The continuous selection format is enabled by setting the DTFR[CONT].

When the CONT bit = 0, the DSPI drives the asserted chip select signals to their idle states in between frames. The idle states of the chip select signals are selected by the DMCR[PCSSIS] field. Figure 27-19 shows the timing diagram for two 4-bit transfers with CPHA = 1 and CONT = 0.

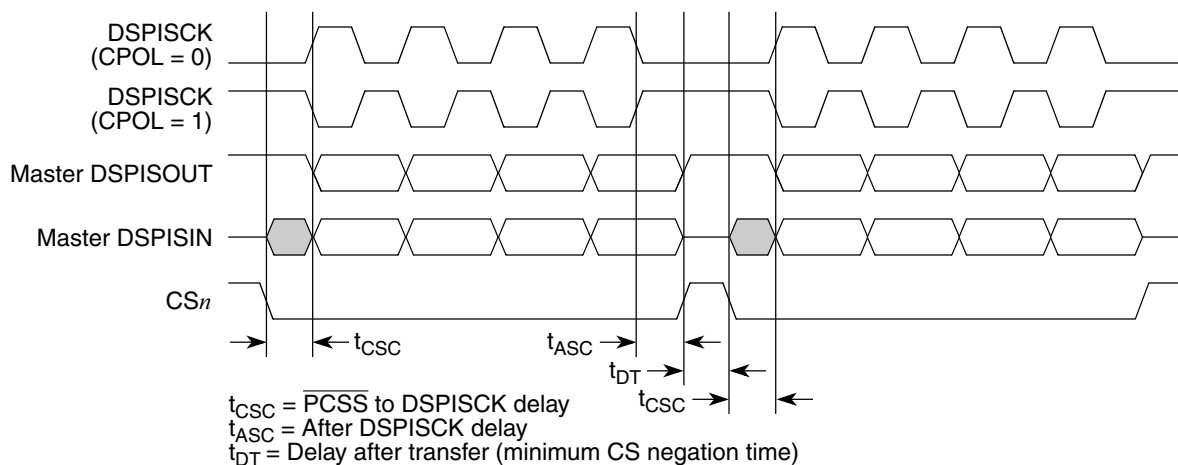


Figure 27-19. Example of Non-Continuous Format (CPHA = 1, CONT = 0)

When the CONT bit = 1 and the DSPICS n signal for the next transfer is the same as for the current transfer, the DSPICS n signal remains asserted for the duration of the two transfers. The delay between transfers (t_{DT}) is not inserted between the transfers. Figure 27-20 shows the timing diagram for two 4-bit transfers with CPHA = 1 and CONT = 1.

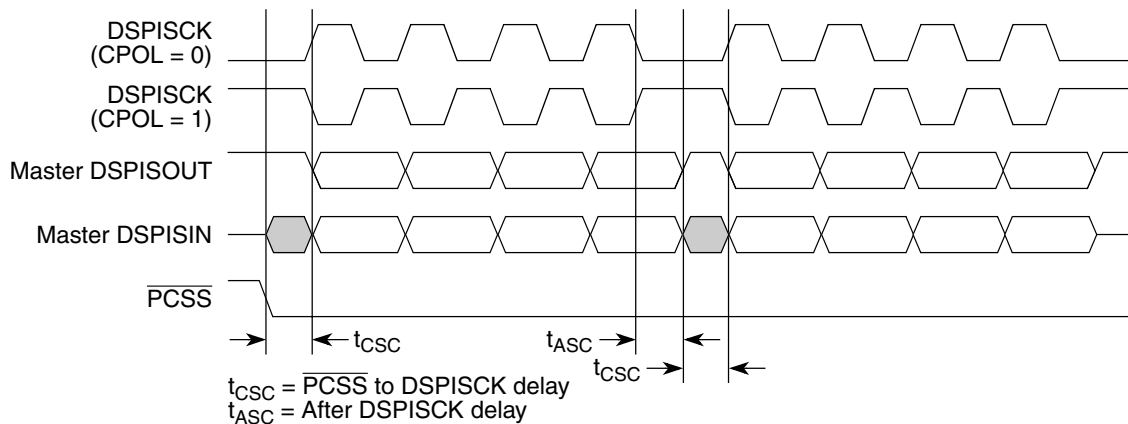


Figure 27-20. Example of Continuous Transfer (CPHA = 1, CONT = 1)

Switching DCTAR n registers between frames while using continuous selection can cause errors in the transfer. The DSPICS n signal must be negated before DCTAR x is switched.

When the CONT bit = 1 and the DSPICS n signals for the next transfer are different from the present transfer, the DSPICS n signals behave as if the CONT bit was not set.

27.7.5 Continuous Serial Communications Clock

The DSPI provides the option of generating a continuous DSPISCK signal for slave peripherals that require a continuous clock.

Continuous DSPISCK is enabled by setting DMCR[CSCK]. Continuous DSPISCK is only supported for CPHA = 1. Setting CPHA = 0 will be ignored if the CSCK bit is set. Continuous DSPISCK is supported for modified transfer format.

Clock and transfer attributes for the continuous DSPISCK mode are set according to the following rules:

- DCTAR0 is used initially. At the start of each SPI frame transfer, the DCTAR n specified by the CTAS for the frame shall be used.
- The currently selected DCTAR n remains in use until the start of a frame with a different DCTAR n specified, or the continuous DSPISCK mode is terminated.

It is recommended that the baud rate is the same for all transfers made while using the continuous DSPISCK. Switching clock polarity between frames while using continuous DSPISCK can cause errors in the transfer. Continuous DSPISCK operation is not guaranteed if the DSPI is put into the external stop mode or module disable mode.

Enabling continuous DSPISCK disables the CS to DSPISCK delay and the after DSPISCK delay. The delay after transfer is fixed at one DSPISCK cycle. Figure 27-21 shows timing diagram for continuous DSPISCK format with continuous selection disabled.

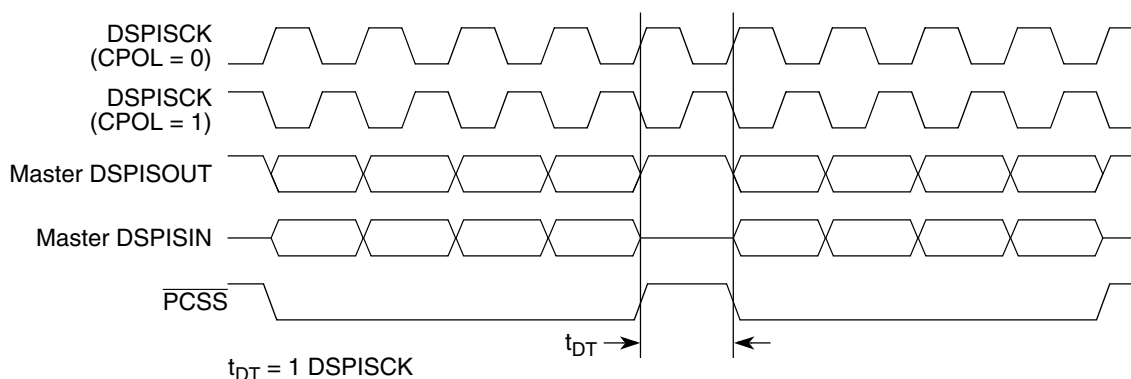


Figure 27-21. Continuous DSPISCK Timing Diagram (CSCK = 0)

If DTFR[CONT] is set, DSPICS_n remains asserted between the transfers when the DSPICS_n signal for the next transfer is the same as for the current transfer. Figure 27-22 shows timing diagram for continuous DSPISCK format with continuous selection enabled.

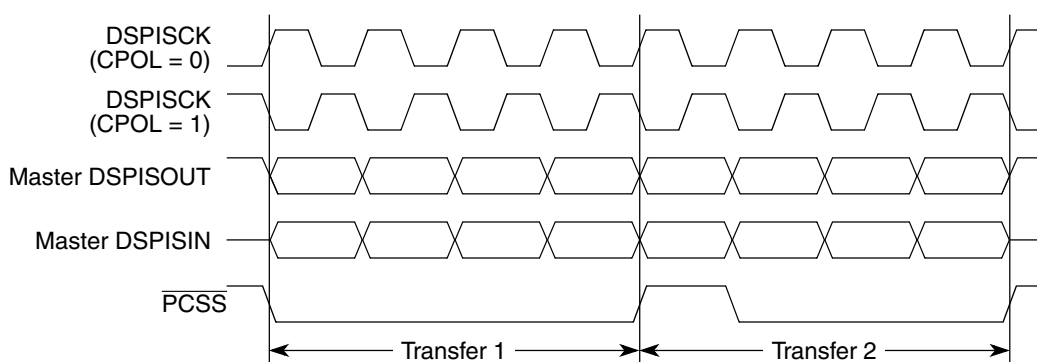


Figure 27-22. Continuous DSPISCK Timing Diagram (CSCK = 1)

27.7.6 Interrupts/DMA Requests

The DSPI has four conditions that can only generate interrupt requests and two conditions that can generate either an interrupt or DMA request. Table 27-22 lists the six conditions.

Table 27-22. Interrupt and DMA Request Conditions

Condition	Flag	Interrupt	DMA
End of Queue	EOQF	X	
TX FIFO Fill	TFFF	X	X
Transfer Complete	TCF	X	
TX FIFO Underflow	TFUF	X	
RX FIFO Drain	RFDF	X	X
RX FIFO Overflow	RFOF	X	

Each condition has a flag bit in the [Section 27.6.4, “DSPI Status Register \(DSR\)”](#) and a request enable bit in the [Section 27.6.5, “DSPI DMA/Interrupt Request Select Register \(DIRSR\)”](#). The Tx FIFO fill flag (TFFF) and Rx FIFO drain flag (RFDF) generate interrupt requests or DMA requests depending on the DIRSR[TFFFS] and DIRSR[RFDFS] bits.

27.7.6.1 End of Queue Interrupt Request

The end of queue request indicates that the end of a transmit queue is reached. The end of queue request is generated when the EOQ bit in the executing SPI command is set and the DIRSR[EOQFE] bit is set.

27.7.6.2 Transmit FIFO Fill Interrupt or DMA Request

The Tx FIFO fill request indicates that the Tx FIFO is not full. The Tx FIFO fill request is generated when the number of entries in the Tx FIFO is less than the maximum number of possible entries, and the DIRSR[TFFFE] bit is set. The DIRSR[TFFFS] bit selects whether a DMA request or an interrupt request is generated.

27.7.6.3 Transfer Complete Interrupt Request

The transfer complete request indicates the end of the transfer of a serial frame. The transfer complete request is generated at the end of each frame transfer when the DIRSR[TCF_RE] bit is set.

27.7.6.4 Transmit FIFO Underflow Interrupt Request

The Tx FIFO underflow request indicates that an underflow condition in the Tx FIFO has occurred. The transmit underflow condition is detected only for DSPI blocks operating in slave mode and SPI configuration. The TFUF bit is set when the Tx FIFO of a DSPI operating in slave mode and SPI configuration is empty, and a transfer is initiated from an external SPI master. If the TFUF bit is set while the DIRSR[TFUFE] bit is set, an interrupt request is generated.

27.7.6.5 Receive FIFO Drain Interrupt or DMA Request

The Rx FIFO drain request indicates that the Rx FIFO is not empty. The Rx FIFO drain request is generated when the number of entries in the Rx FIFO is not zero, and the DIRSR[RFDFE] bit is set. The DIRSR[RFDFS] bit selects whether a DMA request or an interrupt request is generated.

27.7.6.6 Receive FIFO Overflow Interrupt Request

The Rx FIFO overflow request indicates that an overflow condition in the Rx FIFO has occurred. An Rx FIFO overflow request is generated when Rx FIFO and shift register are full and a transfer is initiated. The DIRSR[RFOFE] bit must be set for the interrupt request to be generated.

Depending on the state of the DMCR[ROOE] bit, the data from the transfer that generated the overflow is either ignored or shifted into the shift register. If the ROOE bit is set, the incoming data is shifted into the shift register. If the ROOE bit is negated, the incoming data is ignored.

27.8 Initialization and Application Information

27.8.1 How to Change Queues

This section presents an example of how to change queues for the DSPI. The queues are not part of the DSPI, but the DSPI includes features in support of queue management.

1. The last command word from a queue is executed. The EOQ bit in the command word is set to indicate to the DSPI that this is the last entry in the queue.
2. At the end of the transfer corresponding to the command word with EOQ set, the EOQ flag (EOQF) in the DSR is set.
3. The setting of the EOQF flag will disable both serial transmission, and serial reception of data, putting the DSPI in the stopped state. The TXRXS bit is cleared to indicate the stopped state.
4. The DMA will continue to fill the Tx FIFO until it is full or step 5 occurs.
5. Disable DSPI DMA transfers by disabling the DMA enable request for the DMA channel assigned to Tx FIFO and Rx FIFO. This is done by clearing the corresponding DMA enable request bits in the DMA Controller.
6. Ensure all received data in the Rx FIFO has been transferred to memory receive queue by reading the DSR[RXCNT] or by checking DSR[RFDF] after each read operation of the DRFR.
7. Modify DMA descriptor of Tx and Rx channels for "new" queues.
8. Flush the Tx FIFO by writing a '1' to the DMCR[CLR_TXF] bit. Flush the Rx FIFO by writing a '1' to the DMCR[CLR_RXF] bit.
9. Clear transfer count either by setting CTCNT bit in the command word of the first entry in the new queue or via CPU writing directly to DTCR[SPI_TCNT] field.
10. Enable DMA channel by enabling the DMA enable request for the DMA channel assigned to the DSPI Tx FIFO and/or setting the corresponding DMA enable request bit for the DMA channel assigned to the Rx FIFO.
11. Enable serial transmission and serial reception of data by clearing the EOQF bit.

27.8.2 Baud Rate Settings

Table 27-23 shows the baud rate that is generated based on the combination of the baud rate prescaler PBR and the baud rate scaler BR in the DCTAR_n registers. The values calculated assume a 100 MHz system frequency.

Table 27-23. Baud Rate Values

		Baud Rate Divider Prescaler Values			
		2	3	5	7
Baud Rate Scaler Values	2	25.0MHz	16.7MHz	10.0MHz	7.14MHz
	4	12.5MHz	8.33MHz	5.00MHz	3.57MHz
	6	8.33MHz	5.56MHz	3.33MHz	2.38MHz
	8	6.25MHz	4.17MHz	2.50MHz	1.79MHz
	16	3.12MHz	2.08MHz	1.25MHz	893KHz
	32	1.56MHz	1.04MHz	625KHz	446KHz
	64	781KHz	521KHz	312KHz	223KHz
	128	391KHz	260KHz	156KHz	112KHz
	256	195KHz	130KHz	78.1KHz	55.8KHz
	512	97.7KHz	65.1KHz	39.1KHz	27.9KHz
	1024	48.8KHz	32.6KHz	19.5KHz	14.0KHz
	2048	24.4KHz	16.3KHz	9.77KHz	6.98KHz
	4096	12.2KHz	8.14KHz	4.88KHz	3.49KHz
	8192	6.10KHz	4.07KHz	2.44KHz	1.74KHz
	16384	3.05KHz	2.04KHz	1.22KHz	872
	32768	1.53KHz	1.02KHz	610	436

27.8.3 Delay Settings

Table 27-24 shows the values for the delay after transfer (t_{DT}) and CS to DSPISCK delay (t_{CSC}) that can be generated based on the prescaler values and the scaler values set in the DCTAR n registers. The values calculated assume a 100MHz system frequency.

Table 27-24. Delay Values

		Delay Prescaler Values			
		1	3	5	7
Delay Scaler Values	2	20.0 ns	60.0 ns	100.0 ns	140.0 ns
	4	40.0 ns	120.0 ns	200.0 ns	280.0 ns
	8	80.0 ns	240.0 ns	400.0 ns	560.0 ns
	16	160.0 ns	480.0 ns	800.0 ns	1.1 μ s
	32	320.0 ns	960.0 ns	1.6 μ s	2.2 μ s
	64	640.0 ns	1.9 μ s	3.2 μ s	4.5 μ s
	128	1.3 μ s	3.8 μ s	6.4 μ s	9.0 μ s
	256	2.6 μ s	7.7 μ s	12.8 μ s	17.9 μ s
	512	5.1 μ s	15.4 μ s	25.6 μ s	35.8 μ s
	1024	10.2 μ s	30.7 μ s	51.2 μ s	71.7 μ s
	2048	20.5 μ s	61.4 μ s	102.4 μ s	143.4 μ s
	4096	41.0 μ s	122.9 μ s	204.8 μ s	286.7 μ s
	8192	81.9 μ s	245.8 μ s	409.6 μ s	573.4 μ s
	16384	163.8 μ s	491.5 μ s	819.2 μ s	1.1 ms
	32768	327.7 μ s	983.0 μ s	1.6 ms	2.3 ms
65536	655.4 μ s	2.0 ms	3.3 ms	4.6 ms	

27.8.4 Calculation of FIFO Pointer Addresses

The user has complete visibility of the Tx and Rx FIFO contents through the FIFO registers, and valid entries can be identified through a memory mapped pointer and a memory mapped counter for each FIFO. The pointer to the first-in entry in each FIFO is memory mapped. For the Tx FIFO the first-in pointer is the transmit pointer (TXPTR). For the Rx FIFO the first-in pointer is the receive pointer (RXPTR).

Figure 27-23 illustrates the concept of first-in and last-in FIFO entries along with the FIFO counter. The Tx FIFO is chosen for the illustration, but the concepts carry over to the Rx FIFO. See Section 27.7.2.4, “Tx FIFO Buffering Mechanism” and Section 27.7.2.5, “Rx FIFO Buffering Mechanism” for details on the FIFO operation.

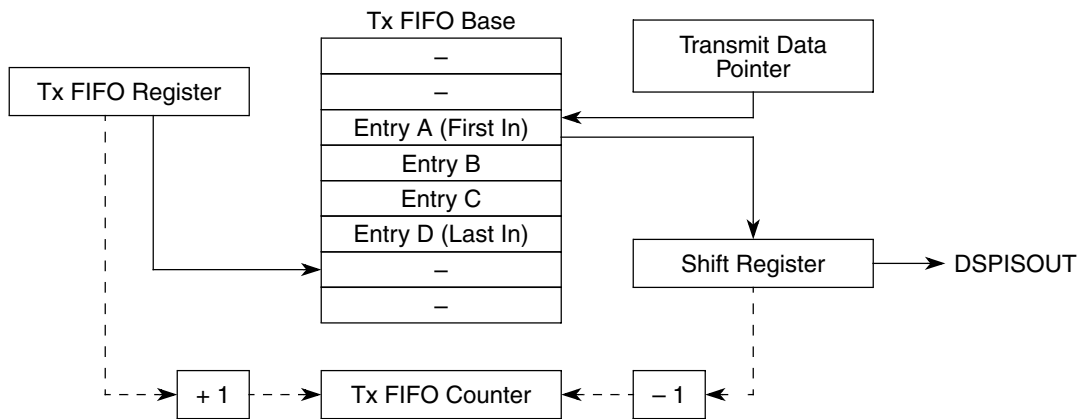


Figure 27-23. Tx FIFO Pointers and Counter

27.8.4.1 Address Calculation for the First-in Entry and Last-in Entry in the Tx FIFO

The memory address of the first-in entry in the Tx FIFO is computed by the following equation:

$$\text{First-in entry address} = \text{Tx FIFO base} + 4 * (\text{TXPTR})$$

The memory address of the last-in entry in the Tx FIFO is computed by the following equation:

$$\text{Last-in entry address} = \text{Tx FIFO base} + 4 * [(\text{TXCTR} + \text{TXPTR} - 1) \text{ modulo } 4]$$

Tx FIFO base - Base address of Tx FIFO

TXCTR - Tx FIFO counter

TXPTR - Transmit pointer

27.8.4.2 Address Calculation for the First-in Entry and Last-in Entry in the Rx FIFO

The memory address of the first-in entry in the Rx FIFO is computed by the following equation:

$$\text{First-in entry address} = \text{Rx FIFO Base} + 4 * (\text{RXPTR})$$

The memory address of the last-in entry in the Rx FIFO is computed by the following equation:

$$\text{Last-in entry address} = \text{Rx FIFO base} + 4 * [(\text{RXCTR} + \text{RXPTR} - 1) \text{ modulo } 4]$$

Rx FIFO base - Base address of RX FIFO

RXCTR - Rx FIFO counter

RXPTR - Receive pointer

Chapter 28

USB 2.0 Device Controller

28.1 Introduction

This chapter provides an overview of the USB 2.0 device controller module of the MCF547X. Connection examples and circuit board layout considerations are also provided.

The *USB Specification, Revision 2.0* is a recommended supplement to this chapter. It can be downloaded from <http://www.usb.org>. Chapter 2 of this specification, *Terms and Abbreviations*, provides definitions of many of the terms found here.

28.1.1 Overview

The Universal Serial Bus specification describes three types of devices that can connect to the bus. The USB host is the bus master, and periodically polls peripherals to initiate data transfers. There is only one host on the bus. The USB function (or USB device) is a bus slave. It can communicate only with a USB host. It does not generate bus traffic and only responds to requests from the host. A USB hub is a special class of USB function that adds additional connection points to the bus for more USB devices.

The integrated USB 2.0 device controller of the MCF547X implements most of the USB protocol in hardware, hiding all direct interaction with the USB. The memory mapped registers allow the user to enable or disable the USB module, control characteristics of the individual endpoints, and monitor traffic flow through the module without having to manage the low-level details of the USB protocol. A set of intelligent FIFOs are implemented that allow for easy data management via the ColdFire core or the multichannel DMA.

While this module hides all direct interaction with the protocol, knowledge of the USB is required in order to properly configure the device for operation on the bus. Programming requirements are covered in this chapter, with additional information in the *USB Specification, Revision 2.0*.

28.1.2 Features

The MCF547XUSB 2.0 device controller provides the following features:

- Compliant with the *USB Specification, Revision 2.0*
- Supports high-speed (480 Mbps) and full-speed (12 Mbps) devices
- One control endpoint and 6 endpoints programmable as interrupt, bulk, or isochronous
- Fully automatic processing of the SET_FEATURE, CLEAR_FEATURE, GET_CONFIGURATION, GET_INTERFACE, GET_STATUS, and SET_ADDRESS USB standard device requests
- Processing with application intervention of the SET_CONFIGURATION, SET_INTERFACE, SET_DESCRIPTOR, GET_DESCRIPTOR, and non-standard USB device requests
- Administration for up to 7 endpoints, 32 configurations, 32 interfaces, and 32 alternate settings
- Support for remote wakeup
- ColdFire core and multichannel DMA access to the intelligent FIFOs that handle all packet retries and data framing
- Internal USB 2.0 physical layer transceiver
- 4 KByte of FIFO RAM and 1 KByte of descriptor RAM

28.1.3 Block Diagram

A block diagram of the complete USB 2.0 Device controller module is shown in [Figure 28-1](#).

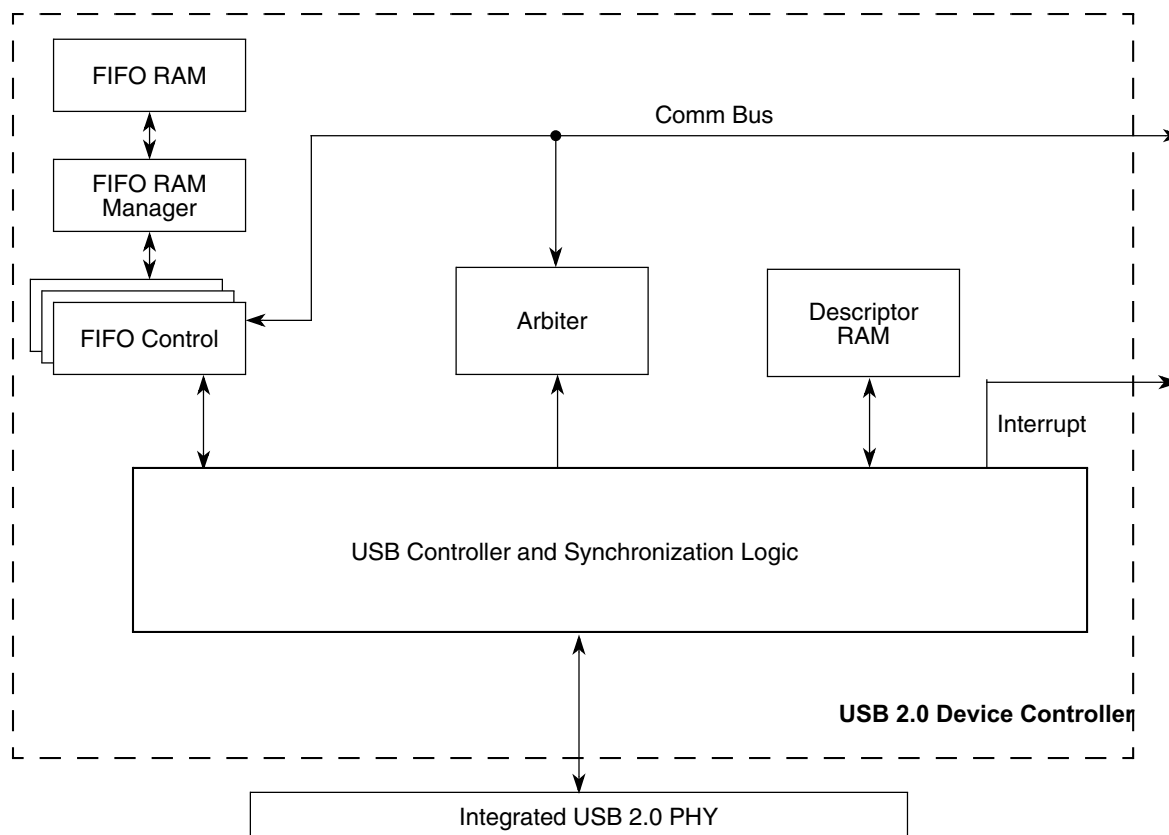


Figure 28-1. USB 2.0 Device Controller Block Diagram

28.1.3.1 Controller and Synchronization

This block handles all of the details of managing the USB protocol and presents a simple set of handshakes to the application for managing data flow, vendor commands, and configuration information.

The control logic portion of the module implements the control logic and registers that allow the user to control and communicate with the USB module. The registers are described in [Section 28.2.1](#), “[USB Memory Map](#).”

The register functions include interrupt status/mask, USB descriptor download, FIFO control and access, and processing of GET_DESCRIPTOR device requests from control endpoints.

The device core operates on a fixed 30-MHz clock that is generated inside the USB 2.0 physical layer transceiver (PHY). All other non-core logic runs at the CommBus frequency. The synchronization block synchronizes the signals that cross between these two clock domains.

28.1.3.2 Descriptor RAM

The descriptor RAM is used to preload the descriptor tables and modify them as necessary. The USB module can handle the data movement out of this RAM for a USB GET_DESCRIPTOR SETUP transaction based on the information programmed into the DRAMDR. This operation is described in [Section 28.4.1.1, “USB Descriptor Download”](#).

28.1.3.3 FIFO Controller

The FIFO controller implements the data FIFOs in such a way that they can communicate with the ColdFire core or with the multichannel DMA. There are two physical RAMs that are shared by all of the FIFO controllers. For maximum performance, the two RAMs can be configured such that one stores transmit (IN) endpoint data and the other stores receive (OUT) endpoint data. If maximum RAM allocation flexibility is more important than maximum performance, the RAMs can be configured such that the entire space is shared by all IN/OUT endpoints. User programmable registers also allow on-the-fly configuration of individual FIFO sizes and direction.

In order to achieve maximum USB bandwidth, the USB device must be able to provide or receive full packets of data to or from the USB host immediately upon request. In order to satisfy this requirement, there is one FIFO for each USB endpoint. The actual FIFO size for each endpoint is programmable. Typically, BULK and ISOCHRONOUS endpoint FIFOs should be twice the packet size. INTERRUPT and CONTROL endpoint FIFOs should be programmed to the size of at least one packet.

28.1.3.4 FIFO RAM Manager

The FIFO RAM manager block consists of a memory configuration controller, a FIFO RAM multiplexor, and a memory request arbitrator. Together, these three functional units allow one or more FIFO modules to share access to the FIFO memory. While the memory is physically configured as two independent dual-port SRAM modules, the RAM manager is responsible for partitioning it into individual blocks for each FIFO controller, and managing the addressing to allow byte, word, or longword access from any byte offset.

The memory configuration controller partitions the RAM into a set of user specified blocks.

The memory multiplexor and the arbitrator work together to ensure that the correct FIFO has access to the RAM, and that simultaneous requests to the RAM's ports are fairly arbitrated.

See the USBCCR[RAMSPLIT] bit description and the EP n FRCFGR description for more information on programming the settings for these blocks.

28.1.3.5 Integrated USB 2.0 Transceiver

The USB 2.0 Device Controller module includes an internal full and high-speed physical layer transceiver (PHY). The bus interface signals are described below.

28.1.3.5.1 USB Differential Data (USBD+, USBD–)

USBD+ and USBD– are the outputs of the on-chip USB 2.0 physical layer transceiver. They provide differential data for the USB 2.0 bus.

28.1.3.5.2 USBVBUS

USB cable Vbus monitor input.

28.1.3.5.3 USBRBIAS

Connection for external current setting resistor. This signal should be connected to a 9.1 K Ω +/- 1% pull-down resistor.

28.1.3.5.4 USBCLKIN

Input pin for the 12-MHz USB crystal circuit.

28.1.3.5.5 USBCLKOUT

Output pin for the 12-MHz USB crystal circuit.

28.2 Memory Map/Register Definition

This section contains a detailed description of each register and its specific function.

28.2.1 USB Memory Map

Table 28-1 contains a memory map for all the USB 2.0 Device Controller registers.

NOTE

Registers should only be accessed using their full size. For example, a 32-bit register should be read as one longword instead of two words or four bytes.

Table 28-1. USB Memory Map

Address (MBAR +)	Name	Byte0	Byte1	Byte2	Byte3
USB Request, Control, and Status Registers					
0xB000	Application interrupt status register, Application interrupt mask register, Endpoint info register	USBAISR	USBAIMR	—	EPINFO
0xB004	Configuration value register, Configuration attribute register, Device speed register	CFGR	CFGAR	SPEEDR	—
0xB008	Reserved				
0xB00C	USB frame number register	—		FRMNUMR	
0x8010	Endpoint transaction number register	EPTNR		—	
0xB014	Application interface update register	IFUR		—	
0xB018–0xB03F	Reserved				
0xB040–0xB07C	Configuration interface registers 0–31	IFR n		IFR n	
USB Counter Registers					
0xB080	USB packet passed count register, USB dropped packet counter register	PPCNT		DPCNT	

Table 28-1. USB Memory Map (Continued)

Address (MBAR +)	Name	Byte0	Byte1	Byte2	Byte3
0xB084	USB CCR error counter register, USB bitstuffing error counter register	CRCECNT		BSECNT	
0xB088	USB PID error counter register, USB framing error counter register	PIDECNT		FRMECNT	
0xB08C	USB transmitted packet counter register, USB counter overflow register	TXPCNT		CNTOVR	—
0xB090– 0xB0FF	Reserved				
Endpoint Context Registers					
0xB100	EP0 attribute control register, EP0 max packet size register	—	EP0ACR	EP0MPSR	
0xB104	EP0 interface number register, EP0 status register, bmRequest type register, bRequest type register	EP0IFR	EP0SR	BMRTR	BRTR
0xB108	wValue register, wIndex register	WVALUER		WINDEXR	
0xB10C	wLength register	WLENGTHR		—	
0xB110– 0xB12F	Reserved				
0xB130	EP1 OUT attribute control register, EP1 OUT max packet size register	—	EP1OUTAC R	EP1OUTMPSR	
0xB134	EP1 OUT interface number register, EP1 OUT status register	EP1OUTIFR	EP1OUTSR	—	—
0xB138	Reserved				
0xB13C	EP1 OUT sync frame register	Reserved		EP1OUTSFR	
0xB140– 0xB147	Reserved				
0xB148	EP1 IN attribute control register, EP1 IN max packet size register	—	EP1INACR	EP1INMPSR	
0xB14C	EP1 IN interface number register, EP1 IN status register	EP1INIFR	EP1INSR	—	—
0xB150– 0xB154	Reserved				
0xB158	EP1 IN sync frame register	Reserved		EP1INSFR	
0xB15C– 0xB15F	Reserved				

Table 28-1. USB Memory Map (Continued)

Address (MBAR +)	Name	Byte0	Byte1	Byte2	Byte3
0xB160	EP2 OUT attribute control register, EP2 OUT max packet size register	—	EP2OUTAC R	EP2OUTMPSR	
0xB164	EP2 OUT interface number register, EP2 OUT status register	EP2OUTIFR	EP2OUTSR	—	—
0xB168	Reserved				
0xB16C	EP2 OUT Sync Frame Register			EP2OUTSFR	
0xB170–0xB177	Reserved				
0xB178	EP2 IN attribute control register, EP2 IN max packet size register	—	EP2INACR	EP2INMPSR	
0xB17C	EP2 IN interface number register, EP2 IN status register	EP2INIFR	EP2INSR	—	—
0xB180–0xB184	Reserved				
0xB188	EP2 IN sync frame register			EP2INSFR	
0xB18C–0xB18F	Reserved				
0xB190	EP3 OUT attribute control register, EP3 OUT max packet size register	—	EP3OUTAC R	EP3OUTMPSR	
0xB194	EP3 OUT interface number register, EP3 OUT status register	EP3OUTIFR	EP3OUTSR	—	—
0xB198	Reserved				
0xB19C	EP3 OUT sync frame register			EP3OUTSFR	
0xB1A0–0xB1A7	Reserved				
0xB1A8	EP3 IN attribute control register, EP3 IN max packet size register	—	EP3INACR	EP3INMPSR	
0xB1AC	EP3 IN interface number register, EP3 IN status register	EP3INIFR	EP3INSR	—	—
0xB1B0–0xB1B7	Reserved				
0xB1B8	EP3 IN sync frame register			EP3INSFR	
0xB1BC–0xB1BF	Reserved				
0xB1C0	EP4 OUT attribute control register, EP4 OUT max packet size register	—	EP4OUTAC R	EP4OUTMPSR	
0xB1C4	EP4 OUT interface number register, EP4 OUT status register	EP4OUTIFR	EP4OUTSR	—	—

Table 28-1. USB Memory Map (Continued)

Address (MBAR +)	Name	Byte0	Byte1	Byte2	Byte3
0xB1C8	Reserved				
0xB1CC	EP4 OUT sync frame register			EP4OUTSFR	
0xB1D0–0xB1D7	Reserved				
0xB1D8	EP4 IN attribute control register, EP4 IN max packet size register	—	EP4INACR	EP4INMPSR	
0xB1DC	EP4 IN interface number register, EP4 IN status register	EP4INIFR	EP4INSR	—	—
0xB1E0–0xB1E7	Reserved				
0xB1E8	EP4 IN sync frame register			EP4INSFR	
0xB1EC–0xB1EF	Reserved				
0xB1F0	EP5 OUT attribute control register, EP5 OUT max packet size register	—	EP5OUTACR	EP5OUTMPSR	
0xB1F4	EP5 OUT interface number register, EP5 OUT status register	EP5OUTIFR	EP5OUTSR	—	—
0xB1F8	Reserved				
0xB1FC	EP5 OUT sync frame register			EP5OUTSFR	
0xB200–0xB207	Reserved				
0xB208	EP5 IN attribute control register, EP5 IN max packet size register	—	EP5INACR	EP5INMPSR	
0xB20C	EP5 IN interface number register, EP5 IN status register	EP5INIFR	EP5INSR	—	—
0xB210–0xB214	Reserved				
0xB218	EP5 IN sync frame register			EP5INSFR	
0xB21C–0xB21F	Reserved				
0xB220	EP6 OUT attribute control register, EP6 OUT max packet size register	—	EP6OUTACR	EP6OUTMPSR	
0xB224	EP6 OUT interface number register, EP6 OUT status register	EP6OUTIFR	EP6OUTSR	—	—
0xB228	Reserved				
0xB22C	EP6 OUT sync frame register			EP6OUTSFR	
0xB230–0xB237	Reserved				

Table 28-1. USB Memory Map (Continued)

Address (MBAR +)	Name	Byte0	Byte1	Byte2	Byte3
0xB238	EP6 IN attribute control register, EP6 IN max packet size register	—	EP6INACR	EP6INMPSR	
0xB23C	EP6 IN interface number register, EP6 IN status register	EP6INIFR	EP6INSR	—	—
0xB240–0xB244	Reserved				
0xB248	EP6 IN sync frame register			EP6INSFR	
0xB24C–0xB3FF	Reserved				
USB Request, Control, and Status Registers					
0xB400	USB status register	USBSR			
0xB404	USB control register	USBCR			
0xB408	USB descriptor RAM control register	DRAMCR			
0xB40C	USB descriptor RAM data register	DRAMDR			
0xB410	USB interrupt status register	USBISR			
0xB414	USB interrupt mask register	USBIMR			
0xB418–0xB43F	Reserved				
USB Endpoint FIFO Registers					
0xB440	EP0 status and control register	EP0STAT			
0xB444	EP0 interrupt status register	EP0ISR			
0xB448	EP0 interrupt mask register	EP0IMR			
0xB44C	EP0 FIFO RAM configuration register	EP0FRCFGR			
0xB450	EP0 FIFO data register	EP0FDR			
0xB454	EP0 FIFO status register	EP0FSR			
0xB458	EP0 FIFO control register	EP0FCR			
0xB45C	EP0 FIFO alarm register	EP0FAR			
0xB460	EP0 FIFO read pointer	EP0FRP			
0xB464	EP0 FIFO write pointer	EP0FWP			
0xB468	EP0 last read frame pointer	EP0LRFP			
0xB46C	EP0 last write frame pointer	EP0LWFP			
0xB470–0xB49F	EP1 FIFO registers				

Table 28-1. USB Memory Map (Continued)

Address (MBAR +)	Name	Byte0	Byte1	Byte2	Byte3
0xB4A0–0xB4CF	EP2 FIFO registers				
0xB4D0–0xB4FF	EP3 FIFO registers				
0xB500–0xB52F	EP4 FIFO registers				
0xB530–0xB55F	EP5 FIFO registers				
0xB560–0xB58F	EP6 FIFO registers				

28.2.2 USB Request, Control, and Status Registers

The following registers provide an application interface to the request, control, and status functionality of the USB 2.0 device controller.

28.2.2.1 USB Status Register (USBSR)

The USBSR reports the current state of various features of the module. This register is read only.

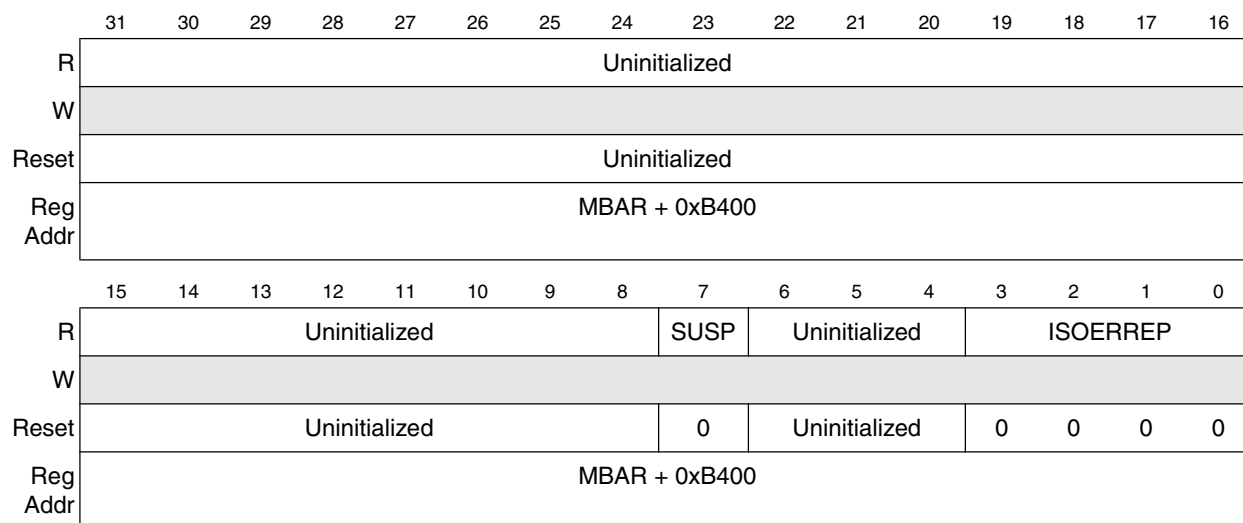


Figure 28-2. USB Status Register (USBSR)

Table 28-2. USBSR Field Descriptions

Bits	Name	Description
31–8	—	Reserved, should be cleared.
7	SUSP	Suspend. This is the USB suspend indicator. 0 USB is not suspended. 1 USB is suspended.
6–4	—	Reserved, should be cleared.
3–0	ISOERREP	Isochronous error endpoint. This is the endpoint number for the isochronous OUT endpoint that has experienced a PID sequencing error and caused the ISO_ERR interrupt to assert. The value in this register will always reflect the endpoint number for the last isochronous OUT endpoint to experience a PID sequencing error (or 0x0 if no PID sequencing errors have occurred). It is not cleared along with the USBISR[ISOERR] interrupt bit.

28.2.2.2 USB Control Register (USBCR)

The USBCR configures features of the module.

	31	30	29	28	27	26	25	24	23	22	21	20	19	18	17	16	
R	Uninitialized																
W																	
Reset	Uninitialized																
Reg Addr	MBAR + 0xB404																
	15	14	13	12	11	10	9	8	7	6	5	4	3	2	1	0	
R	Uninitialized										RAMSPLIT	—	RAM EN	0	APPLOCK	0	
W														RST		RESUME	
Reset	Uninitialized										0	0	0	0	0	0	0
Reg Addr	MBAR + 0xB404																

Figure 28-3. USB Control Register (USBCR)

Table 28-3. USBCR Field Descriptions

Bits	Name	Description
31–6	—	Reserved, should be cleared.
5	RAMSPLIT	<p>RAM split. The endpoint FIFO RAM can be configured for maximum flexibility or for maximum performance. The individual FIFO base and depth values (in the EP_nFRCFGR) should be carefully programmed taking into account the respective direction (IN/OUT) of each FIFO and the value of this control register. Care should be taken not to program those values such that the space required exceeds the FIFO space available to the IN/OUT endpoints.</p> <p>Setting this bit configures the endpoint FIFO RAM for maximum performance by splitting the total endpoint FIFO RAM space in half, dedicating half to be shared by all IN endpoints and the other half to be shared by all OUT endpoints. In this configuration, both the USB module and the application/DMA can receive/transmit the endpoint FIFO data without incurring wait states due to FIFO RAM arbitration.</p> <p>If set, special care must be taken with the bi-directional control endpoint, endpoint 0. In this case, software must configure space in both the Rx and Tx RAM regions for the control EP since it is bi-directional depending on the request type. Furthermore, if the separate regions within the Rx and Tx RAM spaces do not have the same base address and byte depth for EP0, the software must be sure to set the EP0FRCFGR[BASE] and EP0FRCFGR[DEPTH] values appropriately before servicing a Control read/write request.</p> <p>Clearing this bit configures the endpoint FIFO RAM for maximum flexibility at the cost of performance. In this configuration, the entire endpoint FIFO RAM space can be shared by all endpoints. However, application/DMA accesses will incur wait states when accessing the endpoint FIFO data at the same time that the USB is receiving/transmitting data.</p> <p>0 The endpoint FIFO RAM is configured for maximum flexibility. 1 The endpoint FIFO RAM is configured for maximum performance.</p>
4	—	Reserved, should be cleared.
3	RAMEN	<p>Descriptor RAM Enable. This bit determines the accessibility of the descriptor RAM contents.</p> <p>0 The application can read/write the descriptor RAM via the DRAMDR register. The device cannot access the descriptor RAM contents.</p> <p>1 The USB device controller can read the descriptor RAM as controlled by the DRAMCR register. The user cannot access the descriptor RAM contents.</p>
2	RST	<p>USB reset. This bit executes a hard reset of the USB module. This bit allows the system software to force a reset of the USB's logic when the system is first connected to the USB, or for debug purposes.</p>

Table 28-3. USBCR Field Descriptions (Continued)

Bits	Name	Description
1	APPLOCK	<p>Application Lock. This bit should be asserted to ensure the indivisibility of read-modify-write (RMW) operations on certain USB 2.0 device registers. Many register bits can be written to by the user software and the internal logic. Collisions between these two agents can occur when the user software is performing a RMW operation on any of these register bits while the internal logic tries to update the same bit(s) between the read cycle and the write cycle of the user software. For RMW operations, the user software should set this bit before the read and clear it after the completion of the write.</p> <p>The register bits that require this "locked" RMW operation are: USBAISR[7:0] EPnOUTSR/EPnINSR[5] EPnOUTSR/EPnINSR[3:2] EPnOUTSR/EPnINSR[0] CFGAR[6]</p> <p>1 APPLOCK is asserted. 2 APPLOCK is deasserted.</p>
0	RESUME	<p>Resume. This initiates resume signalling on the USB. If remote wake-up capability is enabled for the current USB configuration, writing a 1 to this bit will cause the USB module to initiate resume signalling on the bus. This bit automatically resets to 0 after a write. Writing a 0 to this bit has no effect. If remote wake-up capability has been disabled in the USB via the CLEAR_FEATURE request, then this bit will have no effect. Any user software should have a time-out feature that aborts the remote wake-up attempt after some time if the RESUME interrupt does not occur.</p>

28.2.2.3 USB Descriptor RAM Control Register (DRAMCR)

	31	30	29	28	27	26	25	24	23	22	21	20	19	18	17	16	
R	0	BSY	Uninitialized			DSIZE											
W	START																
Reset	0	0	Uninitialized			0	0	0	0	0	0	0	0	0	0	0	0
Reg Addr	MBAR + 0xB408																
	15	14	13	12	11	10	9	8	7	6	5	4	3	2	1	0	
R	Uninitialized					DADR											
W																	
Reset	Uninitialized					0	0	0	0	0	0	0	0	0	0	0	0
Reg Addr	MBAR + 0xB408																

Figure 28-4. USB Descriptor RAM Control Register (DRAMCR)

Table 28-4. DRAMCR Field Descriptions

Bits	Name	Description
31	START	Start. This bit initiates the GET_DESCRIPTOR handler. Before setting this bit, the software must set the DSIZE[10:0] and DADR[9:0] values to the appropriate values for the current GET_DESCRIPTOR request. This bit automatically resets to 0 after a write. Writing a 0 to this bit has no effect.
30	BSY	Busy. This read only bit is the GET_DESCRIPTOR handler busy signal. 0 The GET_DESCRIPTOR handler is idle. 1 The GET_DESCRIPTOR handler is busy sending the specified descriptor to the USB.
29–27	—	Reserved, should be cleared.
26–16	DSIZE	Descriptor size. This is the descriptor size. When the GET_DESCRIPTOR handler is initiated, this value should be set to the length of the requested descriptor within the descriptor RAM.
15–10	—	Reserved, should be cleared.
9–0	DADR	Descriptor address. This is the descriptor offset in bytes from the RAM base address. This register allows user access to the USB descriptor RAM and is also used by the GET_DESCRIPTOR handler when servicing GET_DESCRIPTOR requests. For user access: The user programs a desired address into the DADR[9:0] bits, then follows it with a read or write to the DRAMDR register to complete the access. Upon read/write access to DRAMDR, the address in DADR will increment automatically. For GET_DESCRIPTOR handler access: When the GET_DESCRIPTOR handler is initiated, this value should be set to the address within the descriptor RAM of the first byte of the requested descriptor. The descriptor RAM is 1024 bytes deep.

28.2.2.4 USB Descriptor RAM Data Register (DRAMDR)

The DRAMDR allows user access to the USB descriptor memory.

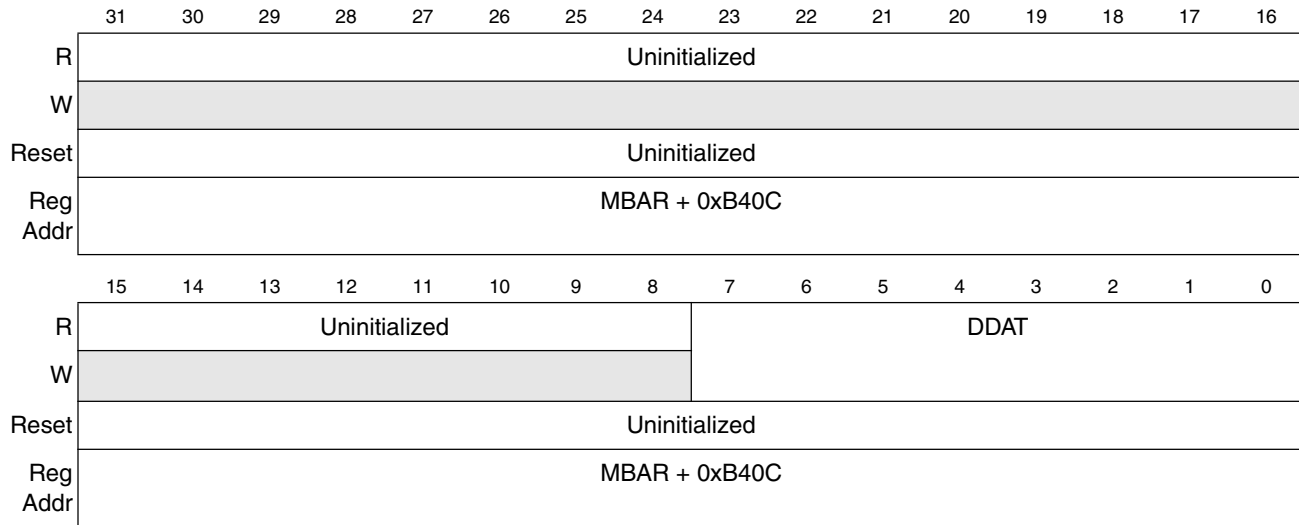


Figure 28-5. USB Descriptor RAM Data Register (DRAMDR)

Table 28-5. DRAMDR Field Descriptions

Bits	Name	Description
31—8	—	Reserved, should be cleared.
7—0	DDAT	Descriptor data. For descriptor access, software programs address into the DADR[9:0] bits in the DRAMCR register and follow with a read or write to the DRAMDR register to complete the access. Upon the read/write access, the address in DADR[9:0] will increment automatically. User access to this register is only allowed when the USBCCR[EN] bit is cleared. Accesses at other times are ignored and reads are undefined.

28.2.2.5 USB Interrupt Status Register (USBISR)

The USBISR maintains the status of interrupt conditions pertaining to USB functions.

An interrupt, once set, remains set until cleared by writing a 1 to the corresponding bit. Interrupts do not clear automatically if the event that caused them goes away (for example, if the device enters the suspended state and then resume signaling starts with no intervention from software, both SUSP and RES would be set). Writing a 0 has no effect.

If a register write occurs at the same time an interrupt is received, the interrupt takes precedence over the write.

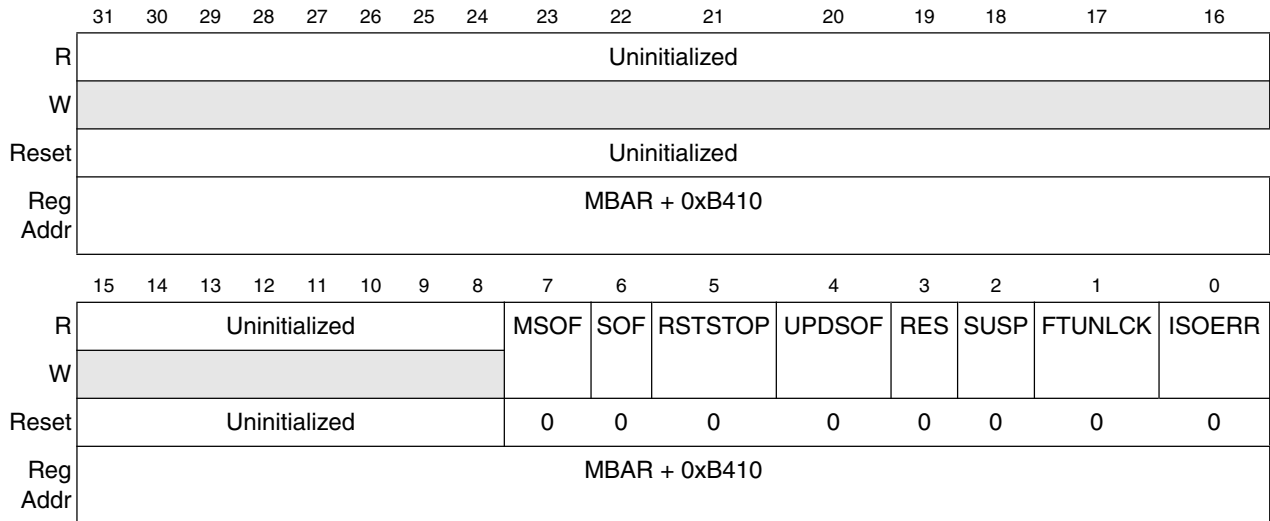


Figure 28-6. USB Interrupt Status Register (USBISR)

Table 28-6. USBISR Field Descriptions

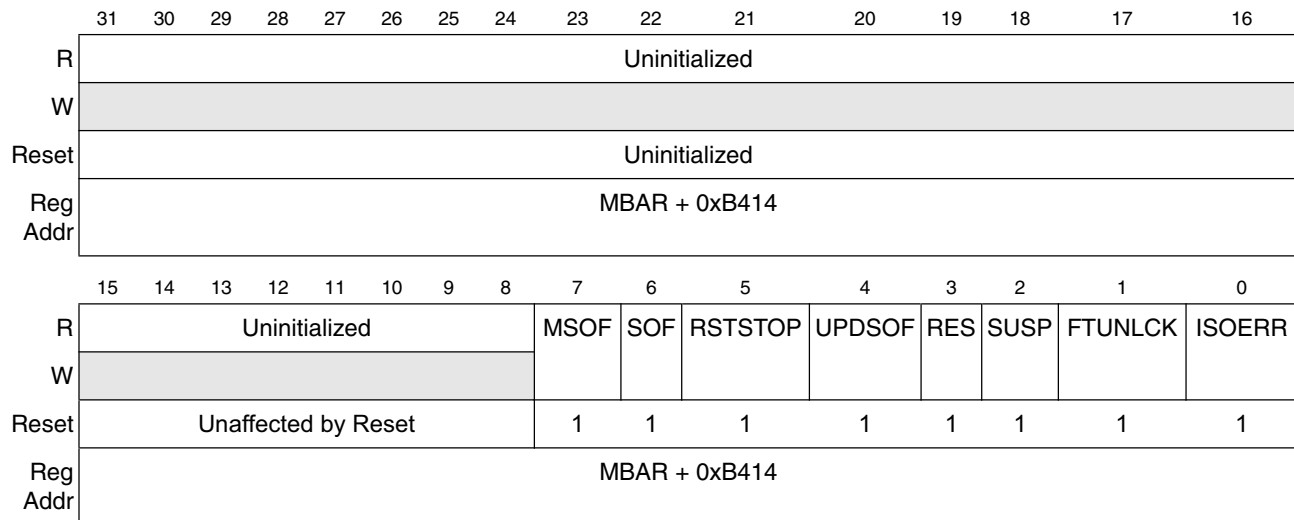
Bits	Name	Description
31—8	—	Reserved, should be cleared.
7	MSOF	Missed start of frame interrupt. 0 No missed start of frame. 1 An SOF interrupt was set, but not cleared before the next one was received.
6	SOF	Start of frame interrupt. 0 No start of frame received 1 A start of frame token has been received by the USB. The USB frame number is current.
5	RSTSTOP	Reset stop. This indicates the end of reset signalling on the USB. 0 Reset signalling has not stopped. Does not imply that reset signalling is occurring, just that no end-of-reset event has occurred. 1 Reset signalling has stopped.
4	UPDSOF	Updated start of frame. This indicates that the current SOF interrupt was the result of the USB module having to update its internal frame number due to a missing SOF packet. 0 No missing SOF packets. 1 Current SOF was generated by the USB frame timer.
3	RES	Resume. This is used to indicate a state change from suspend to resume in the USB module. This bit only indicates the change from suspended to active mode. Clearing the interrupt has no effect on the actual state of the USB. 0 Indicates that USB has not left the suspended state (but does not imply that the bus is, or ever was suspended). 1 USB has left suspend state.
2	SUSP	Suspend. This is used to indicate a suspend state in USB. This bit only indicates the change from active to suspended mode. Clearing the interrupt has no effect on the actual state of the USB. 0 USB is not suspended, or the interrupt was cleared. 1 USB is suspended.

Table 28-6. USBISR Field Descriptions (Continued)

Bits	Name	Description
1	FTUNLCK	Frame timer lost lock. This is used to indicate when the USB's internal frame timer has lost its lock on the SOF packet sequences. This condition occurs when three consecutive SOF packets are missed by the core. 0 The USB frame timer is locked, or the interrupt was cleared. 1 The USB frame timer lost its lock on the SOF packet sequences.
0	ISOERR	Isochronous error. This indicates that a high-speed, high-bandwidth isochronous OUT endpoint detected a PID sequencing error. 0 No ISOC OUT error, or the interrupt was cleared. 1 ISOC OUT PID sequencing error.

28.2.2.6 USB Interrupt Mask Register (USBIMR)

Setting a bit in the USBIMR masks the corresponding interrupt in the USBISR.

**Figure 28-7. USB Interrupt Mask Register (USBIMR)****Table 28-7. USBIMR Field Descriptions**

Bits	Name	Description
31—8	—	Reserved, should be cleared.
7	MSOF	Missed start of frame interrupt. 0 Missed start of frame interrupts enabled. 1 Missed start of frame interrupts disabled.
6	SOF	Start of frame interrupt. 0 Start of frame interrupts enabled. 1 Start of frame interrupts disabled.
5	RSTSTOP	Reset stop. This indicates the end of reset signalling on the USB. 0 Reset signalling stopped interrupts enabled. 1 Reset signalling stopped interrupts disabled.

Table 28-7. USBIMR Field Descriptions (Continued)

Bits	Name	Description
4	UPDSOF	Updated start of frame. This indicates that the current SOF interrupt was the result of the USB having to update its internal frame number due to a missing SOF packet. 0 Updated start of frame interrupts enabled. 1 Updated start of frame interrupts disabled.
3	RES	Resume. This is used to indicate a state change from suspend to resume in the USB. This bit only indicates the change from suspended to active mode. Clearing the interrupt has no effect on the actual state of the USB. 0 Resume interrupts enabled. 1 Resume interrupts disabled.
2	SUSP	Suspend. This is used to indicate a suspend state in USB. This bit only indicates the change from active to suspended mode. Clearing the interrupt has no effect on the actual state of the USB. 0 Suspend interrupts enabled. 1 Suspend interrupts disabled.
1	FTUNLCK	Frame timer lost lock. This is used to indicate when the internal frame timer has lost its lock on the SOF packet sequences. This condition occurs when three consecutive SOF packets are missed by the core. 0 Frame timer lost lock interrupts enabled. 1 Frame timer lost lock interrupts disabled.
0	ISOERR	Isochronous error. This indicates that a high-speed, high-bandwidth isochronous OUT endpoint detected a PID sequencing error. 0 Isochronous error interrupts enabled. 1 Isochronous error interrupts disabled.

28.2.2.7 USB Application Interrupt Status Register (USBAISR)

The USBAISR contains information regarding the source of a USB interrupt event. Interrupt sources may be masked in the USBIMR. The application must clear all interrupt bits when necessary as they do not clear automatically. Clear the bits by writing zeros.

There is only one USBAISR to record all interrupt events for multiple endpoints. It is the responsibility of the application software's interrupt service routine (ISR) to read the contents of the EPINFO register to determine the interrupting endpoint number and direction.

	7	6	5	4	3	2	1	0
R	EPSTALL	CTROVFL	ACK	TRANSERR	EPHALT	OUT	IN	SETUP
W								
Reset	0	0	0	0	0	0	0	0
Reg Addr	MBAR + 0xB000							

Figure 28-8. USB Application Interrupt Status Register (USBAISR)

Table 28-8. USBAISR Field Descriptions

Bits	Name	Description
7	EPSTALL	Endpoint stall. This bit is set when the PSTALL bit in either EP n OUTSR or EP n INSR is set and is relevant only for control endpoints. When set, this bit indicates that a transfer protocol violation has occurred on the current (control) endpoint. 0 Protocol STALL bit not set 1 Protocol STALL bit set in either EP n OUTSR or EP n INSR
6	CTROVFL	Counter overflow. Indicates that one or more of the statistics counters has rolled over. The CNTOVR register identifies with counter has caused this condition. 0 None of the statistics counters have rolled over. 1 One or more of the statistics counters has rolled over.
5	ACK	Received acknowledge. Indicates the reception of a normal ACK packet in response to the data phase of an IN transaction. 0 Did not receive ACK. 1 Received ACK.
4	TRANSE R	Transaction error. Indicates the occurrence of a protocol error in the transaction. Examples include a data or handshake packet timeout and reception of the data or handshake after the packet times out. 0 Transaction error did not occur. 1 Transaction error occurred.
3	EPHALT	Endpoint halt. This bit is set when an active endpoint's HALT is changed. 0 EP n OUTSR[HALT] or EP n INSR[HALT] has not changed. 1 EP n OUTSR[HALT] or EP n INSR[HALT] changed.
2	OUT	Received OUT. Indicates the reception of an OUT token packet. 0 Did not receive an OUT token packet. 1 Received an OUT token packet.
1	IN	Received IN. Indicates the reception of an IN token packet. 0 Did not receive an IN token packet. 1 Received an IN token packet.
0	SETUP	Received SETUP. Indicates the reception of a SETUP token packet. 0 Did not receive a SETUP token packet. 1 Received a SETUP token packet.

28.2.2.8 USB Application Interrupt Mask Register (USBAIMR)

The USBAIMR allows the application to mask interrupt sources within the USB module. The format of this register is identical to that of the USBAISR. A logic 1 in any of the defined bit positions masks the corresponding interrupt source. Conversely, a logic 0 allows the core to interrupt the application.

	7	6	5	4	3	2	1	0
R	EPSTALLEN	CTROVFLEN	ACKEN	TRANSEREN	EPHALTEN	OUTEN	INEN	SETUPEN
W								
Reset	1	1	1	1	1	1	1	1
Reg Addr	MBAR + 0xB001							

Figure 28-9. USB Application Interrupt Mask Register (USBAIMR)

Table 28-9. USBAIMR Field Descriptions

Bits	Name	Description
7	EPSTALLEN	Endpoint stall interrupt enable. 0 Endpoint stall interrupt enabled. 1 Endpoint stall interrupt disabled.
6	CTROVFLEN	Counter overflow interrupt enable. 0 Counter overflow interrupt enabled. 1 Counter overflow interrupt disabled.
5	ACKEN	Received acknowledge interrupt enable. 0 Did not receive ACK interrupt enabled. 1 Received ACK interrupt disabled.
4	TRANSEREN	Transaction error interrupt enable. 0 Transaction error interrupt enabled. 1 Transaction error interrupt disabled.
3	EPHALTEN	Endpoint halt interrupt enable. 0 Endpoint halted interrupt enabled. 1 Endpoint halted interrupt disabled.
2	OUTEN	Received OUT interrupt enable. 0 OUT packet interrupt enabled. 1 OUT packet interrupt disabled.
1	INEN	Received IN interrupt enabled. 0 IN packet interrupt enabled. 1 IN packet interrupt disabled.
0	SETUPEN	Received SETUP interrupt enabled. 0 SETUP packet interrupt enabled. 1 SETUP packet interrupt disabled.

28.2.2.9 Endpoint Info Register (EPINFO)

The EPINFO contains the currently active endpoint index. The contents of this register are updated each time a token is received by the USB device controller.

	7	6	5	4	3	2	1	0
R	0	0	0	0	EPNUM			EPDIR
W								
Reset	0	0	0	0	0	0	0	0
Reg Addr	MBAR + 0xB003							

Figure 28-10. Endpoint Info Register (EPINFO)

Table 28-10. EPINFO Field Descriptions

Bits	Name	Description
7–4	—	Reserved, should be cleared.
3–1	EPNUM	Endpoint number. Indicates the currently active endpoint.
0	EPDIR	Endpoint direction. Indicates the direction of the current endpoint. 0 OUT 1 IN

28.2.2.10 USB Configuration Value Register (CFGR)

	7	6	5	4	3	2	1	0
R	Configuration Value							
W								
Reset	0	0	0	0	0	0	0	0
Reg Addr	MBAR + 0xB004							

Figure 28-11. USB Configuration Value Register (CFGR)

Table 28-11. CFGR Field Descriptions

Bits	Name	Description
7–0	Configuration Value	This register contains the current configuration value. The application needs to write a nonzero value to this register as part of the SET_CONFIGURATION request. See Section 28.4.3.5.2, “Device Requests” for more information.

28.2.2.11 USB Configuration Attribute Register (CFGAR)

The CFGAR contains attributes of the current configuration.

	7	6	5	4	3	2	1	0
R	1	RMTWKEUP	1	0	0	0	0	0
W								
Reset	1	0	0	0	0	0	0	0
Reg Addr	MBAR + 0xB005							

Figure 28-12. USB Configuration Attribute Register (CFGAR)

Table 28-12. CFGAR Field Descriptions

Bits	Name	Description
7	—	Reserved. Write a 1.
6	RMTWKEUP	Remote wakeup. The Remote Wakeup bit is updated by the USB 2.0 device controller upon reception of the SET_FEATURE(DEVICE_REMOTE_WAKEUP) and CLEAR_FEATURE(DEVICE_REMOTE_WAKEUP) requests. 0 Remote wakeup disabled (default). 1 Remote wakeup enabled.
5	—	Reserved. Write a 1.
4–0	—	Reserved, should be cleared.

28.2.2.12 USB Device Speed Register (SPEEDR)

The SPEEDR contains the current USB operating speed of the USB module. It is updated by the USB 2.0 device controller when a USB reset, suspend, or resume process completes.

	7	6	5	4	3	2	1	0
R	0	0	0	0	0	0	SPEED	
W								
Reset	1	0	0	0	0	0	0	0
Reg Addr	MBAR + 0xB006							

Figure 28-13. USB Device Speed Register (SPEEDR)

Table 28-13. SPEEDR Field Descriptions

Bits	Name	Description
7–2	—	Reserved, should be cleared.
1–0	SPEED	Device speed. 00 Speed unresolved 01 High-speed 10 Full-speed 11 Reserved

28.2.2.13 USB Frame Number Register (FRMNUMR)

	15	14	13	12	11	10	9	8	7	6	5	4	3	2	1	0
R	0	0	0	0	FRMNUM											
W	FRMNUM															
Reset	0	0	0	0	0	0	0	0	0	0	0	0	0	0	0	0
Reg Addr	MBAR + 0xB00E															

Figure 28-14. USB Frame Number Register (FRMNUMR)

Table 28-14. FRMNUMR Field Descriptions

Bits	Name	Description
16–12	—	Reserved, should be cleared.
11–0	FRMNUM	This register contains the frame number of an SOF packet and is updated each time an SOF packet is received. FRMNUM can range from 0x000 through 0x7FF.

28.2.2.14 USB Endpoint Transaction Number Register (EPTNR)

The EPTNR is used for high-speed, high-bandwidth, isochronous IN endpoints only. It contains the number of transactions required by the endpoint in the next microframe.

The EPTNR is used to provide information to the USB 2.0 device controller regarding the number of IN transactions needed to deliver data in the next microframe. Following the pre-buffering model specified in the *USB Specification, Rev 2.0*, the data to be transmitted in the next microframe is gathered in the current microframe (see section 5.9.2 of the *USB Specification, Rev. 2.0*). Therefore, by the end of the current microframe, the USB application is aware of the number of IN transactions required to convey the newly gathered data to the host. This is the number that needs to be written into the appropriate field of this register.

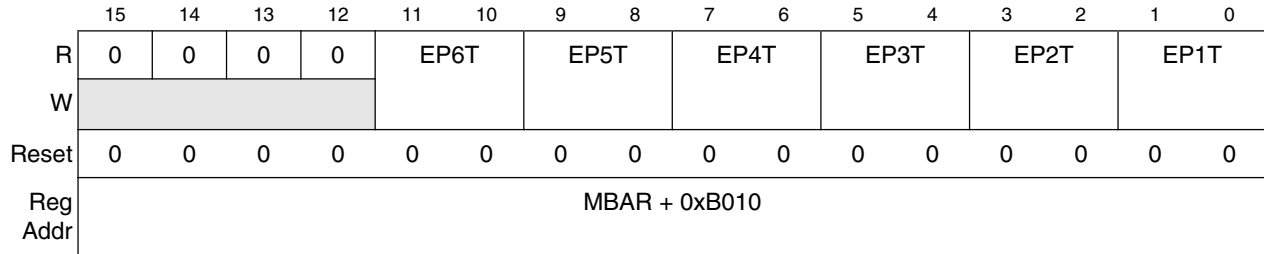


Figure 28-15. Endpoint Transaction Number Register (EPTNR)

Table 28-15. EPTNR Field Descriptions

Bits	Name	Description
15–12	—	Reserved, should be cleared.
11–0	EP _n T	Endpoint transactions. Indicates the number of transactions required by high-speed isochronous endpoints. 00 1 transaction 01 2 transactions 10 3 transactions 11 Reserved

28.2.2.15 USB Application Interface Update Register (IFUR)

The IFUR is used by the USB application to perform a high-speed update of the alternate setting of a specified interface. It cannot be addressed as 8 bits. When application software writes to this register, a parallel compare is done between IFUR[IFNUM] and all the IFR_n[IFNUM] fields. If the compare matches, the matching IFR_n's alternate setting field is automatically updated to the value written in the IFUR[ALTSET] field. Each field may range from 0x00 through 0xFF.

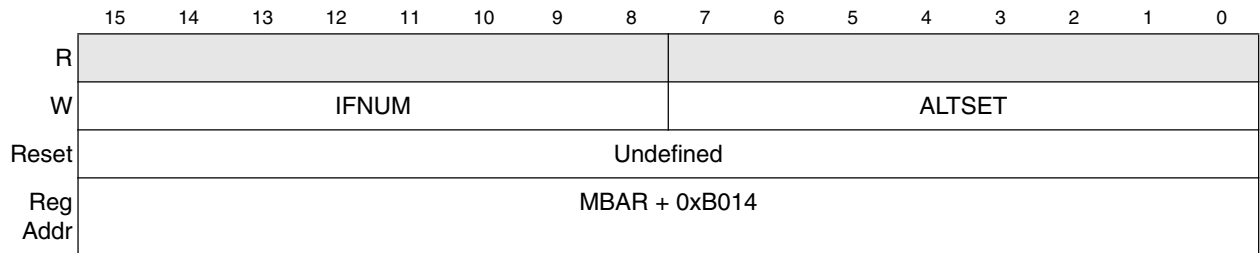


Figure 28-16. USB Application Interface Update Register (IFUR)

Table 28-16. IFUR Field Descriptions

Bits	Name	Description
15–8	IFNUM	Interface number. Compared to the IFR _n [IFNUM] field.
7–0	ALTSET	Alternate setting. If the IFUR[IFNUM] matches a IFR _n [IFNUM] field, then this value is written into the matching IFR _n register's ALTSET field.

28.2.2.16 USB Configuration Interface Register (IFR_n)

These registers contain the available interface numbers and their current alternate setting. There are 32 of these registers (one for each of the 32 interfaces and alternate settings supported). Each field may range from 0x00 through 0xFF.

The application software must program these registers with the valid interface numbers for the current configuration.

	15	14	13	12	11	10	9	8	7	6	5	4	3	2	1	0
R	IFNUM								ALTSET							
W																
Reset	0	0	0	0	0	0	0	0	0	0	0	0	0	0	0	0
Reg Addr	MBAR + 0xB040 (IFR0); 0xB042 (IFR1); 0xB044 (IFR2); 0xB046 (IFR4); 0xB048 (IFR5); 0xB04A (IFR6); 0xB04C (IFR7); 0xB04E (IFR8); 0xB050 (IFR9); 0xB052 (IFR10); 0xB054 (IFR11); 0xB056 (IFR12); 0xB058 (IFR13); 0xB05A (IFR14); 0xB05C (IFR15); 0xB05E (IFR16); 0xB060 (IFR17); 0xB062 (IFR18); 0xB064 (IFR19); 0xB066 (IFR20); 0xB068 (IFR21); 0xB06A (IFR22); 0xB06C (IFR23); 0xB06E (IFR24); 0xB070 (IFR25); 0xB072 (IFR26); 0xB074 (IFR27); 0xB076 (IFR28); 0xB078 (IFR29); 0xB07A (IFR30); 0xB07C (IFR31)															

Figure 28-17. USB Configuration Interface Register (IFR_n)

Table 28-17. IFR_n Field Descriptions

Bits	Name	Description
15–8	IFNUM	Interface number
7–0	ALTSET	Alternate setting. After a write to the IFUR, if IFUR[IFNUM] matches a IFR _n [IFNUM] field, then this value is updated with the data from IFUR[ALTSET].

28.2.3 USB Counter Registers

The USB module contains a number of registers that keep statistics on the number of packets that have been received and transmitted along with the number of errors.

28.2.3.1 USB Packet Passed Count Register (PPCNT)

	15	14	13	12	11	10	9	8	7	6	5	4	3	2	1	0
R	PPCNT															
W																
Reset	0	0	0	0	0	0	0	0	0	0	0	0	0	0	0	0
Reg Addr	MBAR + 0xB080															

Figure 28-18. USB Packet Passed Count Register (PPCNT)

Table 28-18. PPCNT Field Descriptions

Bits	Name	Description
15–0	PPCNT	Packet passed counter. This register counts the number of packets that have been received successfully by the USB.

28.2.3.2 USB Dropped Packet Counter Register (DPCNT)

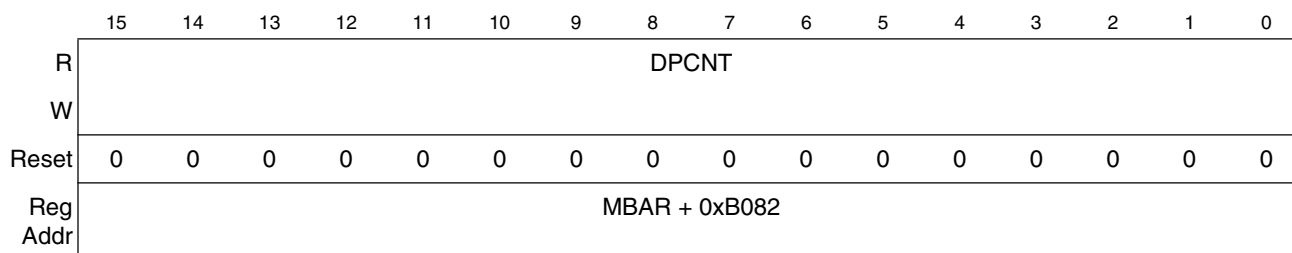


Figure 28-19. USB Dropped Packet Counter Register (DPCNT)

Table 28-19. DPCNT Field Descriptions

Bits	Name	Description
15–0	DPCNT	Packet dropped counter. This register counts the number of packets that have been dropped by the USB due to errors.

28.2.3.3 USB CRC Error Counter Register (CRCECNT)

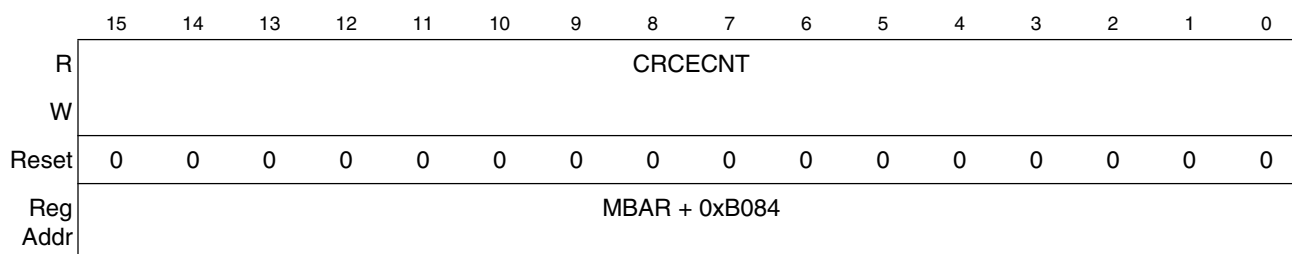


Figure 28-20. USB CCR Error Counter Register (CRCECNT)

Table 28-20. CRCECNT Field Descriptions

Bits	Name	Description
15–0	CRCECNT	CRC error counter. This register counts the occurrences of CRC errors in token and data packets received by the USB.

28.2.3.4 USB Bitstuffing Error Counter Register (BSECNT)

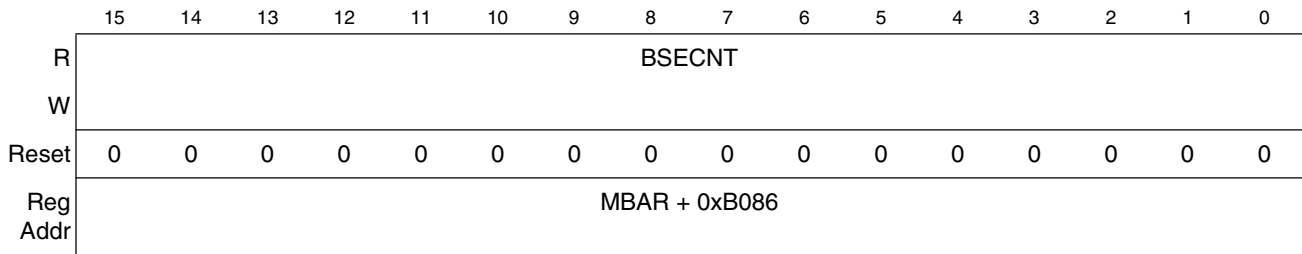


Figure 28-21. USB Bitstuffing Error Counter Register (BSECNT)

Table 28-21. BSECNT Field Descriptions

Bits	Name	Description
15–0	BSECNT	Bitstuffing error counter. This register counts the occurrences of bitstuffing errors in the incoming packets.

28.2.3.5 USB PID Error Counter Register (PIDECNT)

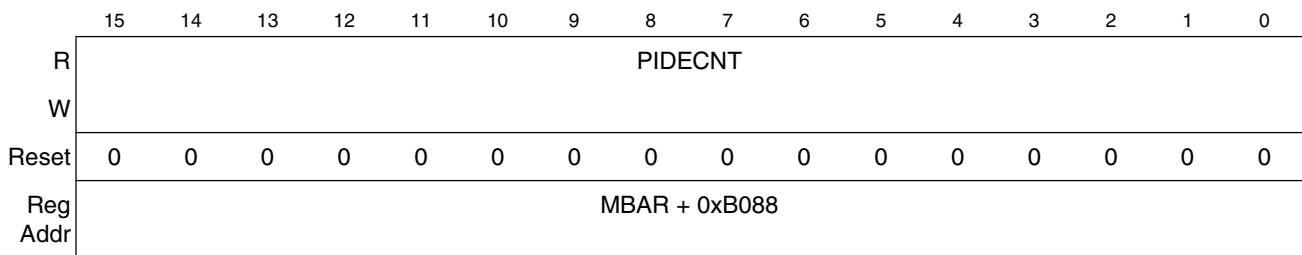


Figure 28-22. USB PID Error Counter Register (PIDECNT)

Table 28-22. PIDEcnt Field Descriptions

Bits	Name	Description
15–0	PIDECNT	PID Error counter. This register counts the occurrences of errors in PID fields of incoming packets.

28.2.3.6 USB Framing Error Counter Register (FRMECNT)

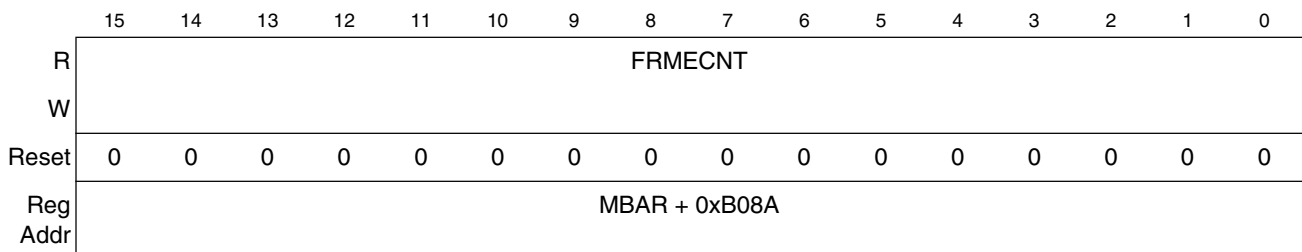


Figure 28-23. USB Framing Error Counter Register (FRMECNT)

Table 28-23. FRMECNT Field Descriptions

Bits	Name	Description
15–0	FRMECNT	Framing error counter. This register counts the occurrences of errors in SYNC and EOP fields of incoming packets.

28.2.3.7 USB Transmitted Packet Counter Register (TXPCNT)



Figure 28-24. USB Transmitted Packet Counter Register (TXPCNT)

Table 28-24. TXPCNT Field Descriptions

Bits	Name	Description
15–0	TXPCNT	Transmitted packet counter. This register counts the number of packets transmitted by the USB.

28.2.3.8 USB Counter Overflow Register (CNTOVR)

The CNTOVR tracks overflow of each of the counter registers described above. When a counter overflow occurs, the appropriate bit in this register is set, and the USBISR[CTROVFL] bit is set. Writing to any of the counters will result in the corresponding overflow bit being cleared as well.

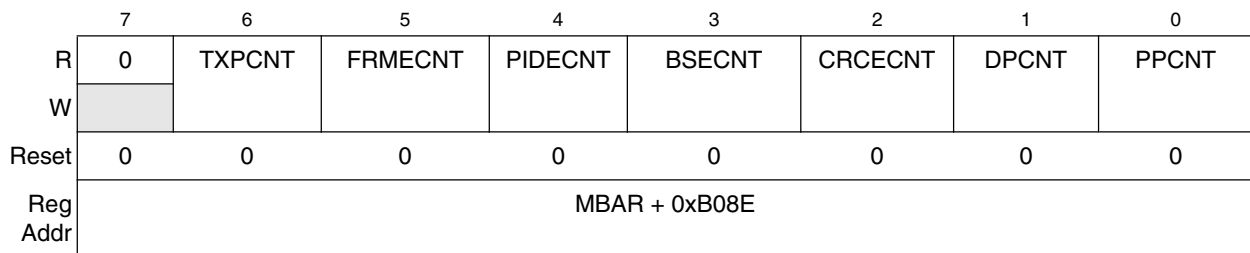


Figure 28-25. USB Counter Overflow Register (CNTOVR)

Table 28-25. CNTOVR Field Descriptions

Bits	Name	Description
7	—	Reserved, should be cleared.
6	TXPCNT	Transmitted packet counter overflow flag. 0 The transmitted packet counter has not overflowed. 1 The transmitted packet counter has overflowed.

Table 28-25. CNTOVR Field Descriptions (Continued)

Bits	Name	Description
5	FRMECNT	Framing error counter overflow flag. 0 The framing error counter has not overflowed. 1 The framing error counter has overflowed.
4	PIDECNT	PID error counter overflow flag. 0 The PID error counter has not overflowed. 1 The PID error counter has overflowed.
3	BSECNT	Bitstuffing error counter overflow flag. 0 The bitstuffing error counter has not overflowed. 1 The bitstuffing error counter has overflowed.
2	CRCECNT	CRC error counter overflow flag. 0 The CRC error counter has not overflowed. 1 The CRC error counter has overflowed.
1	DPCNT	Dropped packet counter overflow flag. 0 The dropped packet counter has not overflowed. 1 The dropped packet counter has overflowed.
0	PPCNT	Packet passed counter overflow flag. 0 The packet passed counter has not overflowed. 1 The packet passed counter has overflowed.

28.2.4 Endpoint Context Registers

The endpoint registers are used to configure each of the individual endpoints. Some of the registers come in pairs: an IN register and an OUT register. The current direction of the endpoint determines which of the two registers controls the attributes for the specified endpoint. For example, if endpoint one is being used as an IN endpoint, then only the IN registers are valid.

NOTE

Endpoint 0 is always present and bi-directional. The OUT version of all EP0 registers is the valid register.

28.2.4.1 Endpoint *n* Attribute Control Register (EP0ACR, EP*n*OUTACR, EP*n*INACR)

The endpoint attribute control register specifies the USB transfer type for this endpoint. This register is read-only for endpoint 0 and read/write for all other endpoints.

These registers should be updated by the USB application before enabling the USB device for the first time and again following a configuration change (that is, upon the reception of a SET_CONFIGURATION or SET_INTERFACE request).

	7	6	5	4	3	2	1	0
R	0	0	0	0	0	0	TTYPE	
W								
Reset	0	0	0	0	0	0	Uninitialized	
Reg Addr	MBAR + 0xB101(EP0ACR); 0xB131(EP1OUTACR); 0xB161(EP2OUTACR); 0xB191(EP3OUTACR); 0xB1C1(EP4OUTACR); 0xB1F1(EP5OUTACR); 0xB221(EP6OUTACR)							

Figure 28-26. Endpoint *n* Attribute Control Register OUT (EP*n*OUTACR)

	7	6	5	4	3	2	1	0
R	0	0	0	0	0	0	TTYPE	
W								
Reset	0	0	0	0	0	0	Uninitialized	
Reg Addr	MBAR + 0xB149 (EP1NACR); 0xB179 (EP2NACR); 0xB1A9 (EP3INACR); 0xB1D9 (EP4INACR); 0xB209 (EP5INACR); 0xB239 (EP6INACR)							

Figure 28-27. Endpoint *n* Attribute Control Register IN (EP*n*INACR)

Table 28-26. EP*n*OUTACR and EP*n*INACR Field Descriptions

Bits	Name	Description
7–2	—	Reserved, should be cleared.
1–0	TTYPE	Transfer type. Indicates the type of transfers that will be used for the designated endpoint. 00 Control (This value is always used for EP0 and is not valid for any other endpoint) 01 Isochronous 10 Bulk 11 Interrupt

28.2.4.2 Endpoint *n* Max Packet Size Register (EP0MPSR, EP*n*OUTMPSR, EP*n*INMPSR)

The endpoint max packet size registers contain the maximum packet size that this endpoint, in its current configuration, is capable of transmitting or receiving.

These registers should be updated by the USB application before enabling the USB device for the first time and again following a configuration change (i.e. upon the reception of a SET_CONFIGURATION or SET_INTERFACE request). The value programmed into this register should correspond with the wMaxPacketSize field of the associated endpoint descriptor (see section 9.6.6 of the *USB Specification, Rev. 2.0*).

	15	14	13	12	11	10	9	8	7	6	5	4	3	2	1	0
R	0	0	0	ADDTRANS		MAXPKTSZ										
W	[Shaded]			[Shaded]		[Shaded]										
Reset	0	0	0	0	0	0	0	0	0	0	0	0	0	0	0	0
Reg Addr	MBAR + 0xB102 (EP0OUTPSR); 0xB132 (EP1OUTPSR); 0xB162 (EP2OUTPSR); 0xB192 (EP3OUTPSR); 0xB1C2 (EP4OUTPSR); 0xB1F2 (EP5OUTPSR); 0xB222 (EP6OUTPSR)															

Figure 28-28. Endpoint *n* Max Packet Size Register OUT (EP_{*n*}OUTMPSR)

	15	14	13	12	11	10	9	8	7	6	5	4	3	2	1	0
R	0	0	0	ADDTRANS		MAXPKTSZ										
W	[Shaded]			[Shaded]		[Shaded]										
Reset	0	0	0	0	0	0	0	0	0	0	0	0	0	0	0	0
Reg Addr	MBAR + 0xB14A (EP1NPSR); 0xB17A (EP2NPSR); 0xB1AA (EP3INPSR); 0xB1DA (EP4INPSR); 0xB20A (EP5INPSR); 0xB23A (EP6INPSR)															

Figure 28-29. Endpoint *n* Max Packet Size Register IN (EP_{*n*}INMPSR)Table 28-27. EP_{*n*}OUTMPSR and EP_{*n*}INMPSR Field Descriptions

Bits	Name	Description
15–13	—	Reserved, should be cleared.
12–11	ADDTRANS	Additional transactions. For high-speed isochronous and interrupt endpoints only. This is the number of additional transaction opportunities per microframe. 00 0 additional transactions (1 total) 01 1 additional transaction (2 total) 10 2 additional transactions (3 total) 11 Reserved
10–0	MAXPKTSZ	Maximum packet size. This is the maximum packet size in bytes. The packet size must not exceed the USB 2.0 specification for the selected endpoint type and device speed.

28.2.4.3 Endpoint *n* Interface Number Register (EP0IFR, EP_{*n*}OUTIFR, EP_{*n*}INIFR)

These registers identify which interface each particular endpoint is a member of. They should be updated by the USB application before enabling the USB device for the first time and again following a configuration change (that is, upon the reception of a SET_CONFIGURATION or SET_INTERFACE request).

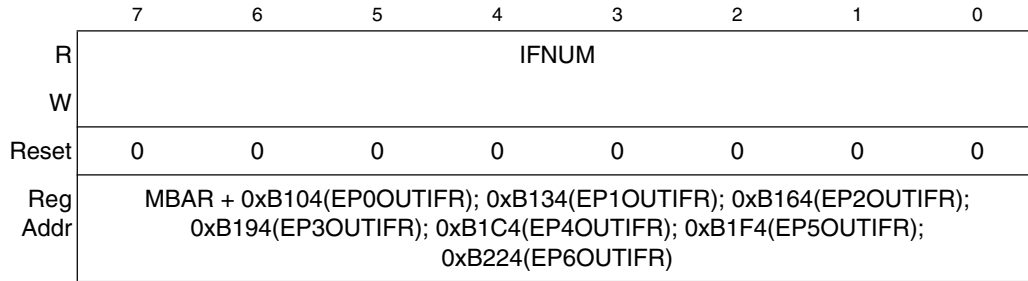


Figure 28-30. Endpoint *n* Interface Number Register OUT (EP*n*OUTIFR)

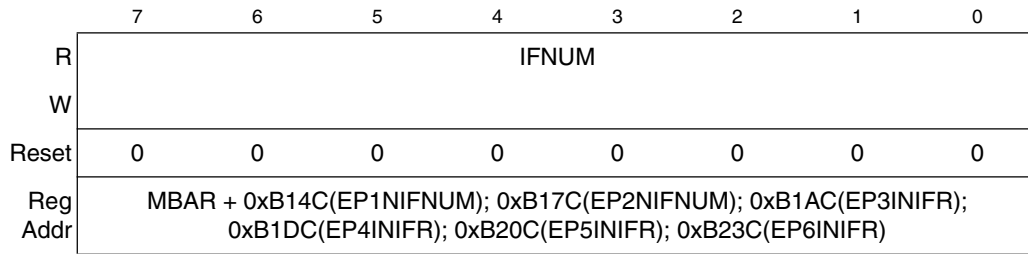


Figure 28-31. Endpoint *n* Interface Number Register IN (EP*n*INIFR)

Table 28-28. EP*n*OUTIFR and EP*n*INIFR Field Descriptions

Bits	Name	Description
7–0	IFNUM	Interface number. This register contains the interface number associated with the specified endpoint. The interface number may range from 0x00 through 0xFF.

28.2.4.4 Endpoint *n* Status Register (EP0SR, EP*n*OUTSR, EP*n*INSR)

The endpoint status register contains the status for the specified endpoint. The ACTIVE bit of this register must be set before doing any transaction on this endpoint.



Figure 28-32. Endpoint *n* Status Register OUT (EP*n*OUTSR)

	7	6	5	4	3	2	1	0
R	INT	0	TXZERO	0	CCOMP	PSTALL	ACTIVE	HALT
W								
Reset	0	0	0	0	0	0	0	0
Reg Addr	MBAR + 0xB14D(EP1INSR); 0xB17D(EP2INSR); 0xB1AD(EP3INSR); 0xB1DD(EP4INSR); 0xB20D(EP5INSR); 0xB23D(EP6INSR)							

Figure 28-33. Endpoint *n* Status Register IN (EP*n*INSR)Table 28-29. EP*n*OUTSR and EP*n*INSR Field Descriptions

Bits	Name	Description
7	INT	Interrupt. Relevant only for interrupt IN endpoints. Write 0 to clear. 0 No interrupt pending on this endpoint (default). 1 Interrupt pending on this endpoint.
6	—	Reserved, should be cleared.
5	TXZERO	Transmit a zero byte packet. This bit should only be set by the application and cleared by the USB module. 0 NOP (default). 1 Transmit a zero-byte packet
4	—	Reserved, should be cleared.
3	CCOMP	Control command complete. Relevant only for control endpoints. This bit should only be set by the application and cleared by the USB module. 0 Control command in process (default). 1 Control command completed.
2	PSTALL	Protocol stall. Relevant only for control endpoints. The PSTALL bit is set by the USB module during control transactions if there is a protocol error. For example, an illegal request parameter will cause the USB to issue a STALL handshake while also setting the PSTALL bit. The application sets the PSTALL bit according to its own criteria, such as "control pipe request not supported." The PSTALL bit is cleared by the next SETUP token received. Setting this bit also sets USBASR[EPHALT]. 0 Normal operation (default). 1 Protocol stall occurred on control endpoint
1	ACTIVE	Active. Indicates the endpoint is enabled by the application. This bit must be set by the application to enable the endpoint. All endpoints are disabled by default. 0 Endpoint is not active (default). 1 Endpoint is active/enabled.
0	HALT	Halt. This bit is affected by SET_FEATURE and CLEAR_FEATURE requests. Setting or clearing this bit sets bit 3 of the USBASR register. 0 Endpoint is not halted (default). 1 Endpoint is halted.

28.2.4.5 bmRequest Type Register (BMRTR)

The BMRTR records the bmRequestType field of a SETUP transaction on Endpoint 0.

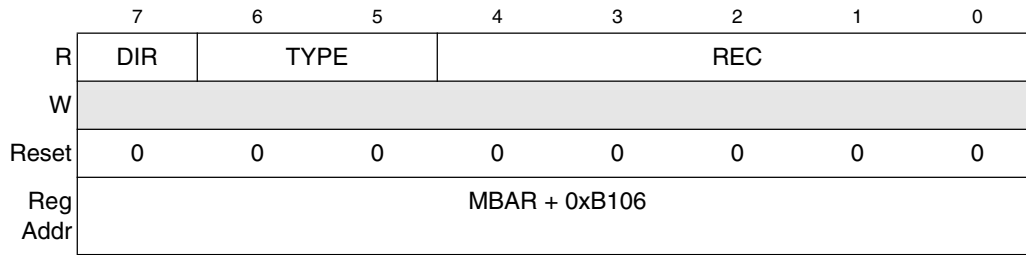


Figure 28-34. Endpoint *n* bmRequest Type Register (BMRTR)

Table 28-30. BMRTR Field Descriptions

Bits	Name	Description
7	DIR	Direction. Data transfer direction. 0 Host to device. 1 Device to host.
6–5	TYPE	TYPE 00 Standard 01 Class 10 Vendor 11 Reserved
4–0	REC	Recipient. 0x0 Device 0x1 Interface 0x2 Endpoint 0x3 Other 0x4–0x1F Reserved

28.2.4.6 bRequest Type Register (BRTR)

The BRTR records the bRequest field of a SETUP transaction on Endpoint 0.

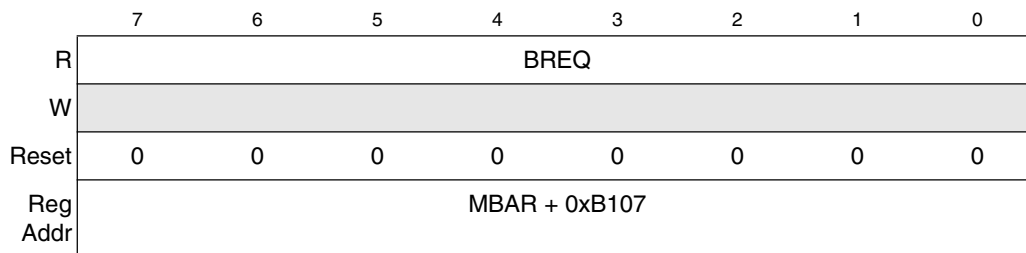


Figure 28-35. bRequest Type Register (BRTR)

Table 28-31. BRTR Field Descriptions

Bits	Name	Description
7–0	BREQ	bRequest field. bRequest field from a SETUP transaction for the specified endpoint.

28.2.4.7 wValue Register (WVALUER)

The WVALUER records the wValue field of a SETUP transaction on Endpoint 0.

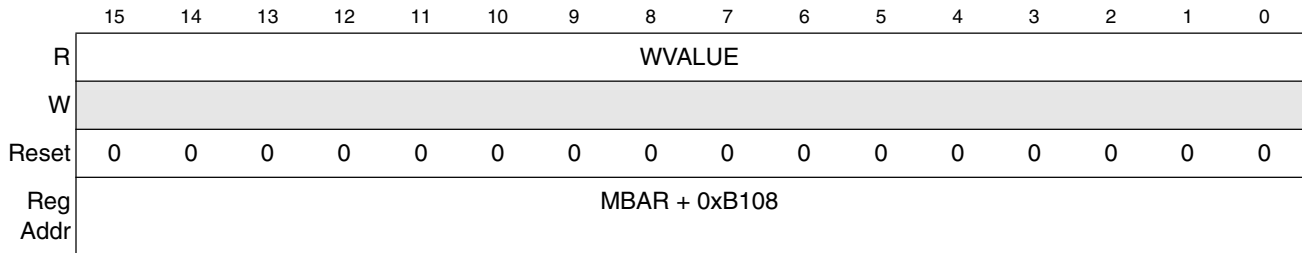


Figure 28-36. wValue Register (WVALUER)

Table 28-32. WVALUER Field Descriptions

Bits	Name	Description
15–0	WVALUE	wValue of setup transaction. This register records the wValue field of a SETUP transaction for the specified endpoint.

28.2.4.8 wIndex Register (WINDEXR)

The WINDEXR records the wIndex field of a SETUP transaction on Endpoint 0.

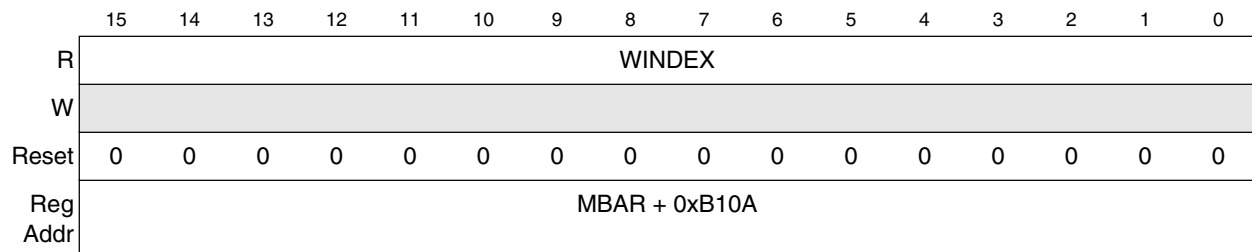


Figure 28-37. wIndex Register (WINDEXR)

Table 28-33. WINDEXR Field Descriptions

Bits	Name	Description
15–0	WINDEX	wIndex of setup transaction. This register records the wIndex field of a SETUP transaction for the specified endpoint.

28.2.4.9 wLength Register (WLENGTHR)

The WLENGTHR records the wLength field of a SETUP transaction on Endpoint 0.

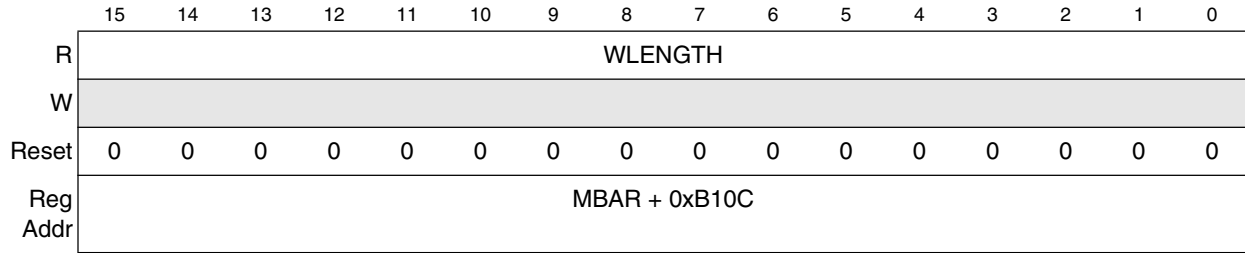


Figure 28-38. wLength Register (WLENGTHR)

Table 28-34. WLENGTHR Field Descriptions

Bits	Name	Description
15–0	WLENGTH	wLength of setup transaction. This register records the wLength field of a SETUP transaction for the specified endpoint.

28.2.4.10 Endpoint *n* Sync Frame Register (EP_{*n*}OUTSFR, EP_{*n*}INSFR)

The endpoint sync frame register is relevant only if the EP_{*n*}OUTACR or EP_{*n*}INACR is programmed for isochronous type transfers. This register contains the synchronization frame number for that endpoint. When the host directs a SYNCH_FRAME control read query at this register’s endpoint, the contents of this register are returned to the host. FRMNUM may range from 0x000 through 0x7FF.

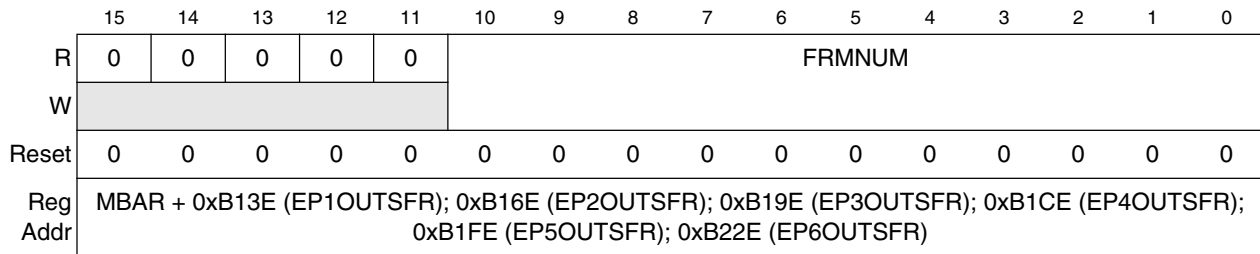


Figure 28-39. Endpoint *n* Sync Frame Register OUT (EP_{*n*}OUTSF)

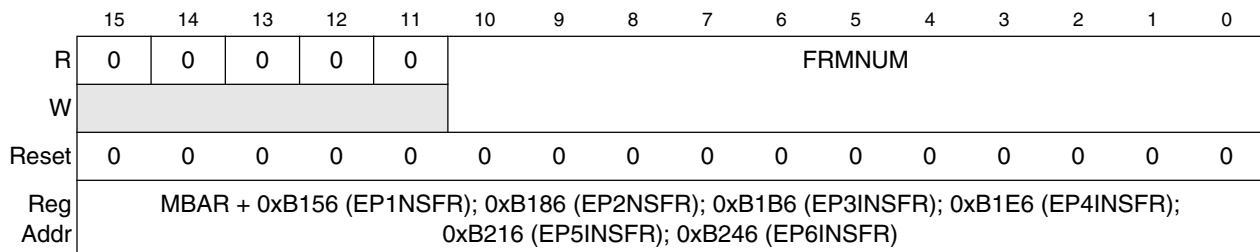


Figure 28-40. Endpoint *n* Sync Frame Register IN (EP_{*n*}INSFR)

Table 28-35. EP n OUTSFR and EP n INSFR Field Descriptions

Bits	Name	Description
15–11	—	Reserved, should be cleared.
10–0	FRMNUM	Frame number. Synchronization frame number for the designated endpoint.

28.2.5 USB Endpoint FIFO Registers

These registers are used to configure and access the FIFOs for each of the USB endpoints.

28.2.5.1 USB Endpoint n Status and Control Register (EP n STAT)

The EP n STAT register allows the user to configure specific aspects of an individual endpoint.

	31	30	29	28	27	26	25	24	23	22	21	20	19	18	17	16
R	0	0	0	0	BYTECNT											
W																
Reset	Uninitialized				0	0	0	0	0	0	0	0	0	0	0	0
Reg Addr	MBAR + 0xB440 (EP0STAT); 0xB470 (EP1STAT); 0xB4A0 (EP2STAT); 0xB4D0 (EP3STAT); 0xB500 (EP4STAT); 0xB530 (EP5STAT); 0xB560 (EP6STAT)															
	15	14	13	12	11	10	9	8	7	6	5	4	3	2	1	0
R	0	0	0	0	0	0	0	0	DIR	0	0	0	0	0		
W															FLUSH	RST
Reset	Uninitialized								0	Uninitialized					0	0
Reg Addr	MBAR + 0xB440 (EP0STAT); 0xB470 (EP1STAT); 0xB4A0 (EP2STAT); 0xB4D0 (EP3STAT); 0xB500 (EP4STAT); 0xB530 (EP5STAT); 0xB560 (EP6STAT)															

Figure 28-41. USB Endpoint n Status and Control Register (EP n STAT)Table 28-36. EP n STAT Field Descriptions

Bits	Name	Description
31–28	—	Reserved, should be cleared.
27–16	BYTECNT	Byte count. This field indicates the number of bytes currently stored in the associated FIFO. This value is a "live" count that does not differentiate between data that is from accepted or not-yet-accepted data packets. Thus, the value may jump around in cases where packets are discarded or retransmitted.
15–8	—	Reserved, should be cleared.
7	DIR	Direction. This is the transfer direction. This bit also determines the direction of the endpoint FIFO. This bit should be set appropriately before responding to transfer requests from the host. 0 OUT Endpoint (from host to device). 1 IN Endpoint (from device to host).
6–2	—	Reserved, should be cleared.

Table 28-36. EP_nSTAT Field Descriptions

Bits	Name	Description
1	FLUSH	Flush. This write only bit causes the associated FIFO to be flushed to its empty state. All FIFO pointers will be reset to the empty state while FIFO configuration registers (USB_EP _n _FCR) retain their values. 0 Do nothing. 1 Initiate flush operation.
0	RST	Reset. This write only bit causes the associated FIFO to be reset. All configuration data will be lost and the FIFO pointers will reset to the empty state. 0 Do nothing. 1 Initiate reset operation.

28.2.5.2 USB Endpoint *n* Interrupt Status Register (EP_{*n*}ISR)

The EP_{*n*}ISR monitors the status of a specific endpoint and generates a CPU interrupt each time a monitored event occurs.

An interrupt, once set, remains set until cleared by writing a 1 to the corresponding bit. Interrupts do not clear automatically if the event that caused them goes away (for example, if an endpoint FIFO is emptied and then filled with no intervention from software, both EMT and FU would be set). Writing a 0 has no effect.

If a register write occurs at the same time an interrupt is received, the interrupt takes precedence over the write.

	31	30	29	28	27	26	25	24	23	22	21	20	19	18	17	16
R	0	0	0	0	0	0	0	0	0	0	0	0	0	0	0	0
W																
Reset	Uninitialized															
Reg Addr	MBAR + 0xB444 (EP0ISR); 0xB474 (EP1ISR); 0xB4A4 (EP2ISR); 0xB4D4 (EP3ISR); 0xB504 (EP4ISR); 0xB534 (EP5ISR); 0xB564 (EP6ISR)															
	15	14	13	12	11	10	9	8	7	6	5	4	3	2	1	0
R	0	0	0	0	0	0	0	FU	EMT	ERR	FIFO HI	FIFO LO	0	EOT	0	EOF
W																
Reset	Uninitialized							0	1	0	0	0	Unin.	0	Unin.	0
Reg Addr	MBAR + 0xB444 (EP0ISR); 0xB474 (EP1ISR); 0xB4A4 (EP2ISR); 0xB4D4 (EP3ISR); 0xB504 (EP4ISR); 0xB534 (EP5ISR); 0xB564 (EP6ISR)															

Figure 28-42. USB Endpoint *n* Interrupt Status Register (EP_{*n*}ISR)

Table 28-37. EPnISR Field Descriptions

Bits	Name	Description
31–9	—	Reserved, should be cleared.
8	FU	FIFO full. This is the FIFO full indicator. For OUT endpoints, this interrupt may assert in cases where OUT packet data fills the FIFO and is subsequently discarded due to an incorrect CRC calculation. Because of this, the FU bit in the FIFO status register (EPnFSR) should be checked to verify that the OUT endpoint FIFO is actually full. 0 Indicates that the FIFO is not full. 1 Indicates that the FIFO is full.
7	EMT	FIFO empty. This is the FIFO empty indicator. For OUT endpoints, this interrupt may assert in cases where OUT packet data is written to an empty FIFO and is subsequently discarded due to an incorrect CRC calculation. Because of this, the EMT bit in the FIFO status register (EPnFSR) should be checked to verify that the OUT endpoint FIFO is actually empty. For IN endpoints, this interrupt may assert in cases where only one packet of data is stored in the FIFO and that packet must be retried because it encounters an error while being sent to the host. In this scenario, the FIFO will be temporarily empty before the retry operation causes the read pointer to rewind. Thus, the EMT interrupt will set because of the temporary empty state of the FIFO. Because of this, the EMT bit in the FIFO status register (EPnFSR) should be checked to verify that the IN endpoint FIFO is actually empty. 0 Indicates that the FIFO is not empty. 1 Indicates that the FIFO is empty.
6	ERR	FIFO error. This indicates an error condition in the FIFO controller. The error condition can be checked by reading the FIFO status register (EPnFSR). 0 No Error condition pending. 1 Error condition pending.
5	FIFOHI	FIFO high. This indicates that the number of bytes in the FIFO has surpassed the high level alarm value.
4	FIFOLO	FIFO low. This indicates that the number of bytes in the FIFO has fallen below the FIFO low level alarm value.
3	—	Reserved, should be cleared.
2	EOT	End of transfer. This is the end of transfer indicator. This indicates that the last packet of a USB OUT data transfer has crossed out of the USB. The last packet is identified by its length. Any packet shorter than the maximum packet size for the associated OUT endpoint is considered to be an end of transfer marker. In addition, for isochronous and interrupt endpoints only, the EOT interrupt will assert when the end of any OUT packet crosses out of the USB. In general, the EOT interrupt will be accompanied by a corresponding EOF interrupt. However, there is a case where EOT will be set without a corresponding EOF interrupt. That is the NULL packet case. Because a NULL packet signifies the end of transfer without actually writing any data to the endpoint FIFO, the EOT interrupt will assert without the EOF interrupt.

Table 28-37. EPnISR Field Descriptions

Bits	Name	Description
1	—	Reserved, should be cleared.
0	EOF	End of frame. This is the end of frame indicator. This indicates end of frame activity for this endpoint. This bit monitors the data flow between the FIFO and the USB module and indicates when the end of a USB packet is written into the FIFO or the USB module as the end of a frame. 0 End of frame (USB packet) was not received. 1 End of frame (USB packet) sent/received.

28.2.5.3 USB Endpoint *n* Interrupt Mask Register (EPnIMR)

The EPnIMR allows software to mask individual interrupts for each endpoint by masking the corresponding bits in the EPISR. Writing a 1 to a bit in this register masks the corresponding interrupt in the EPnISR. Writing a 0 un masks the interrupt.

	31	30	29	28	27	26	25	24	23	22	21	20	19	18	17	16
R	0	0	0	0	0	0	0	0	0	0	0	0	0	0	0	0
W	[Greyed out]															
Reset	Uninitialized															
Reg Addr	MBAR + 0xB448 (EP0IMR); 0xB478 (EP1IMR); 0xB4A8 (EP2IMR); 0xB4D8 (EP3IMR); 0xB508 (EP4IMR); 0xB538 (EP5IMR); 0xB568 (EP6IMR)															
	15	14	13	12	11	10	9	8	7	6	5	4	3	2	1	0
R	0	0	0	0	0	0	0	FU	EMT	ERR	FIFO HI	FIFO LO	0	EOT	0	EOF
W	[Greyed out]															
Reset	Uninitialized							1	1	1	1	1	Unin.	1	Unin.	1
Reg Addr	MBAR + 0xB448 (EP0IMR); 0xB478 (EP1IMR); 0xB4A8 (EP2IMR); 0xB4D8 (EP3IMR); 0xB508 (EP4IMR); 0xB538 (EP5IMR); 0xB568 (EP6IMR)															

Figure 28-43. USB Endpoint *n* Interrupt Mask Register (EPnIMR)

Table 28-38. EPnIMR Field Descriptions

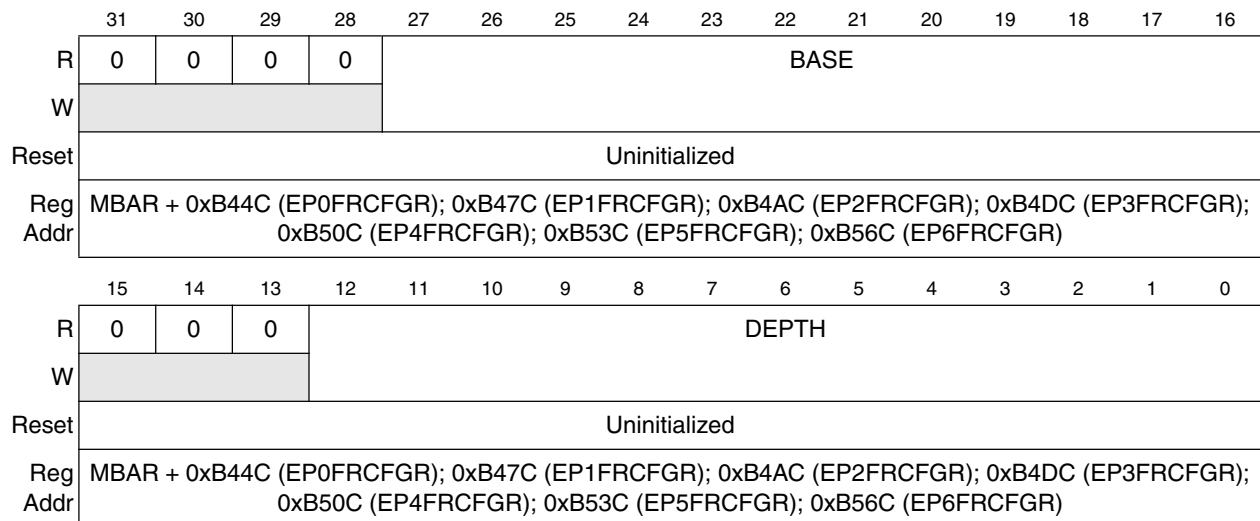
Bits	Name	Description
31–9	—	Reserved, should be cleared.
8	FU	FIFO full. This bit enables FIFO Full interrupts. 0 FIFO FULL interrupts enabled. 1 FIFO FULL interrupts disabled.
7	EMT	FIFO empty. This bit enables FIFO Empty interrupts. 0 FIFO EMPTY interrupts enabled. 1 FIFO EMPTY interrupts disabled.
6	ERR	FIFO error. This bit enables FIFO error interrupts. 0 FIFO ERROR interrupts enabled. 1 FIFO ERROR interrupts disabled.

Table 28-38. EP n MIR Field Descriptions

Bits	Name	Description
5	FIFOHI	FIFO high. This bit enables FIFO High interrupts. 0 FIFO HIGH interrupts enabled. 1 FIFO HIGH interrupts disabled.
4	FIFOLO	FIFO low. This bit enables FIFO Low interrupts. 0 FIFO LOW interrupts enabled. 1 FIFO LOW interrupts disabled.
3	—	Reserved, should be cleared.
2	EOT	End of transfer. This bit enables end of transfer interrupts. 0 End of transfer indicator interrupts enabled. 1 End of transfer indicator interrupts disabled.
1	—	Reserved, should be cleared.
0	EOF	End of frame. This bit enables end of frame interrupts. 0 End of frame indicator interrupts enabled. 1 End of frame indicator interrupts disabled.

28.2.5.4 USB Endpoint n FIFO RAM Configuration Register (EP n FRCFGR)

The EP n FRCFGR allows the software to allocate the total FIFO RAM space among the individual endpoint FIFOs. Note that care should be taken to ensure that no two active endpoints are allocated to the same memory address range, as this will result in corrupted data.

Figure 28-44. USB Endpoint n FIFO RAM Configuration Register (EP n FRCFGR)Table 28-39. EP n FRCFGR Field Descriptions

Bits	Name	Description
31–28	—	Reserved, should be cleared.
27–16	BASE	Base address. This byte value indicates the base address within the FIFO RAM at which the allocated space begins.

Table 28-39. EP_nFRCFGR Field Descriptions

Bits	Name	Description
15–13	—	Reserved, should be cleared.
12–0	DEPTH	Depth. This indicates the depth (in bytes) of the endpoint FIFO. The value should be line aligned to ensure proper operation (that is, DEPTH[2:0] must be set to 0).

28.2.5.5 USB Endpoint *n* FIFO Data Register (EP_nFDR)

The EP_nFDR is the main interface port for the FIFO. Data that is to be buffered in the FIFO, or has been buffered in the FIFO, is accessed through this register. The register can access data from the FIFO, independent of this FIFO’s transmit or receive configuration.

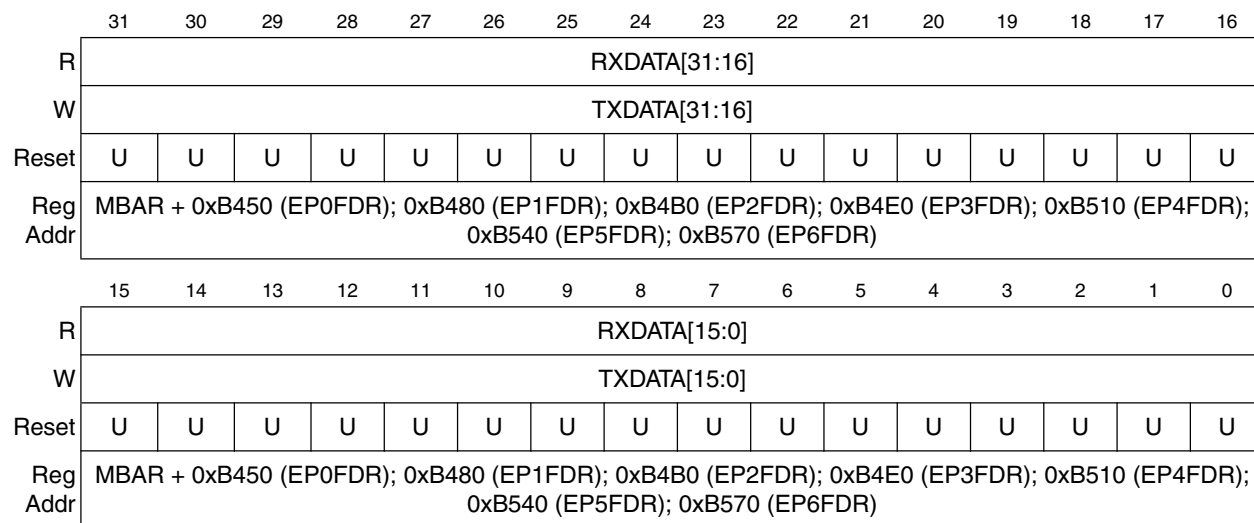


Figure 28-45. USB Endpoint *n* FIFO Data Register (EP_nFDR)

Table 28-40. EP_nFDR Field Descriptions

Bits	Name	Description
31–0	TXDATA	This is the transmit FIFO write data
31–0	RXDATA	This is the receive FIFO read data

28.2.5.6 USB Endpoint n FIFO Status Register (EP n FSR)

	31	30	29	28	27	26	25	24	23	22	21	20	19	18	17	16
R	IP	TXW	0	0	FRM				FAE	RXW	UF	OF	FR	FU	ALRM	EMT
W																
Reset	0	0	Uninitialized		0	0	0	0	0	0	0	0	0	0	0	1
Reg Addr	MBAR + 0xB454 (EP0FSR); 0xB484 (EP1FSR); 0xB4B4 (EP2FSR); 0xB4E4 (EP3FSR); 0xB514 (EP4FSR); 0xB544 (EP5FSR); 0xB574 (EP6FSR)															
	15	14	13	12	11	10	9	8	7	6	5	4	3	2	1	0
R	0	0	0	0	0	0	0	0	0	0	0	0	0	0	0	0
W																
Reset	Uninitialized															
Reg Addr	MBAR + 0xB454 (EP0FSR); 0xB484 (EP1FSR); 0xB4B4 (EP2FSR); 0xB4E4 (EP3FSR); 0xB514 (EP4FSR); 0xB544 (EP5FSR); 0xB574 (EP6FSR)															

Figure 28-46. USB Endpoint n FIFO Status Register (EP n FSR)

Table 28-41. EP n FSR Field Descriptions

Bits	Name	Description
31	IP	Illegal pointer. This bit signifies an illegal pointer condition in the FIFO controller. The assertion of this bit will cause a FIFO error condition (ERR) in the EP n ISR unless the EP n FCR[IPMSK] bit is set. This bit will remain set until a one is written to this bit location. 0 No illegal pointer condition. 1 An address outside the FIFO controller's memory range has been written to one of the user-visible pointers.
30	TXW	Transmit wait states. This bit indicates that the current IN (transmit) transaction from the USB is incurring wait states because there is not enough data in the FIFO to satisfy the read request. Even though the FIFO is not in a catastrophic state (i.e., normal operation can proceed without flushing the FIFO), this may result in an inadvertent short packet being transmitted for the current IN transaction. The assertion of this bit will cause a FIFO error condition (ERR) in the EP n ISR unless the TXWMSK bit in the EP n FCR is set. This bit will remain set until a one is written to this bit location. 0 No transmit wait condition. 1 Transmit wait condition.
29–28	—	Reserved, should be cleared.
27–24	FRM	Frame indicator. This bus provides a frame status indicator for non-DMA applications. 1000 A frame boundary has occurred on the [31:24] byte of the data bus 0100 A frame boundary has occurred on the [23:16] byte of the data bus 0010 A frame boundary has occurred on the [15:8] byte of the data bus 0001 A frame boundary has occurred on the [7:0] byte of the data bus

Table 28-41. EP_nFSR Field Descriptions

Bits	Name	Description
23	FAE	<p>Frame accept error. This bit indicates a frame accept error in the FIFO controller and will assert in two scenarios. 1) The user has over-written data in a transmit FIFO for a packet (frame) that needs to be retried. 2) The user has read data from a receive FIFO for a packet (frame) that has subsequently been rejected. Setting this bit will cause a FIFO error condition (ERR) in the EP_nISR unless the EP_nFCR[FAEMSK] bit is set. This bit will remain set until a one is written to this bit location. This bit is inactive when the FIFO is not programmed for frame mode.</p> <p>0 No frame accept error. 1 Frame accept error.</p>
22	RXW	<p>Receive wait states. This bit indicates that the current OUT (receive) transaction from the USB module is incurring wait states because there is not enough free space in the FIFO to allow the write request. Even though the FIFO is not in a catastrophic state (that is, normal operation can proceed without flushing the FIFO), this may result in data loss for the current OUT transaction. The assertion of this bit will cause a FIFO error condition (ERR) in the EP_nISR unless the EP_nFCR[RXWMSK] bit is set. This bit will remain set until a one is written to this bit location.</p> <p>0 No receive wait condition. 1 Receive wait condition.</p>
21	UF	<p>Underflow. This indicates FIFO underflow. Read pointer has passed the write pointer. Writing a one to this bit clears the UF indicator.</p> <p>0 No Underflow. 1 Writing a 0 has no effect.</p>
20	OF	<p>Overflow. This indicates FIFO overflow. Write pointer has passed the read pointer. Writing a one to this bit clears the OF indicator.</p> <p>0 No overflow. 1 Writing a 0 has no effect.</p>
19	FR	<p>Frame ready. This read-only bit is the frame ready indicator. This bit is unused when the FIFO is not programmed for frame mode.</p> <p>0 No complete frames exist in the FIFO. 1 One or more complete frames exists in the FIFO.</p>
18	FU	<p>FIFO full. This read-only bit is the FIFO full indicator.</p> <p>0 The FIFO is not full. 1 The FIFO has requested attention because it is full. The FIFO must be read to clear this alarm.</p>
17	ALR	<p>FIFO alarm. This read-only bit indicates that the FIFO has determined an alarm condition.</p> <p>When the FIFO is configured to receive (OUT), the FIFO alarm provides high level indication, setting when there are less than alarm bytes free in the FIFO. The alarm is cleared when the FIFO is read so that fewer than EP_nFCR[GR] bytes remain in the FIFO.</p> <p>When the FIFO is configured to transmit (IN), the FIFO alarm provides low level indication, setting when there are more than alarm bytes in the FIFO. The alarm is cleared when the FIFO is written so that less than (4 × EP_nFCR[GR]) free bytes in the FIFO.</p> <p>0 Alarm not set. 1 The FIFO has requested attention because it has determined an alarm condition.</p>

Table 28-41. EP n FSR Field Descriptions

Bits	Name	Description
16	EMT	FIFO empty. This read-only bit is the FIFO empty indicator. 0 FIFO is not empty. 1 The FIFO has requested attention because it is empty. The FIFO must be written to clear this alarm.
15–0	—	Reserved, should be cleared.

28.2.5.7 USB Endpoint n FIFO Control Register (EP n FCR)

	31	30	29	28	27	26	25	24	23	22	21	20	19	18	17	16
R	SHAD	0	WFR	TMR	FRM	GR			IP MSK	FAE MSK	RXW MSK	UF MSK	OF MSK	TXW MSK	0	0
W																
Reset	0	Unin.	0	0	0	0	0	1	0	0	1	0	0	1	0	0
Reg Addr	MBAR + 0xB458 (EP0FCR); 0xB488 (EP1FCR); 0xB4B8 (EP2FCR); 0xB4E8 (EP3FCR); 0xB518 (EP4FCR); 0xB548 (EP5FCR); 0xB578 (EP6FCR)															
	15	14	13	12	11	10	9	8	7	6	5	4	3	2	1	0
R	COUNTER															
W																
Reset	0	0	0	0	0	0	0	0	0	0	0	0	0	0	0	0
Reg Addr	MBAR + 0xB458 (EP0FCR); 0xB488 (EP1FCR); 0xB4B8 (EP2FCR); 0xB4E8 (EP3FCR); 0xB518 (EP4FCR); 0xB548 (EP5FCR); 0xB578 (EP6FCR)															

Figure 28-47. USB Endpoint n FIFO Control Register (EP n FCR)Table 28-42. EP n FCR Field Descriptions

Bits	Name	Description
31	SHAD	Shadow. In shadow mode, the FIFO frame ready and alarm signals are suppressed until the USB acknowledges successful transmission or reception of the packet (frame). Shadow mode is a sub-mode of frame mode, and as such, this bit must be set along with the FRM bit to have any affect on the FIFO status operation. This bit should be set during normal USB operation. 0 Shadow mode disabled. 1 Shadow mode enabled (FRM bit must also be set).
30	—	Reserved, should be cleared.
29	WFR	Write end of frame. This determines the end of current data frame in FIFO. 0 Next write to FIFO data register is not the end of frame. 1 Next write to FIFO data register is the end of frame.

Table 28-42. EPnFCR Field Descriptions (Continued)

Bits	Name	Description
28	TMR	<p>Timer mode. For OUT (receive) endpoints, timer mode prevents a request for service from occurring every frame. Instead, a request is made on a periodic basis that is determined by the value that is programmed into the COUNTER[15:0] field. A request will be made if there is a valid frame in the FIFO and there has not been a read or write to the FIFO in the specified number of cycles.</p> <p>Note that requests for service due to the FIFO reaching a high-water mark are not affected by timer mode and will occur as usual. Timer mode is a sub-mode of frame mode, and as such, this bit must be set along with the FRM bit to have any affect on the FIFO frame ready operation.</p> <p>0 Timer mode disabled. 1 Timer mode enabled (FRM bit must also be set).</p>
27	FRM	<p>Frame mode. In Frame mode, the FIFO uses its internal frame pointer and information from the peripheral to transfer only full frames of data, as defined by the peripheral. Because the controller only keeps a pointer to the end of the last complete frame, a read request may contain more than one frame of data. This bit should be set during normal USB operation.</p> <p>0 Frame mode disabled. 1 Frame mode enabled.</p>
26-24	GR	<p>Granularity. The functionality of this field depends on the direction of the FIFO. The direction, type, and packet size are defined in the EPnSTAT registers.</p> <p>For Transmitter (IN): These bits control the high “watermark” point at which the FIFO will negate its alarm condition (i.e. request for data). It represents the number of Free Bytes multiplied by 4. For example, if GR = 000, the FIFO will wait to become completely full before it stops requesting data. If GR = 001, the FIFO will stop requesting data when it has only one longword of space remaining.</p> <p>For Receiver (OUT): These bits control the high “watermark” point at which the FIFO will negate its alarm condition (i.e. its request to empty its data). It represents the number of Data Bytes multiplied by 4. For example, if GR = 001, the FIFO will stop requesting service when it has only one longword of data remaining</p>
23	IPMSK	<p>When set, this bit masks the IP bit in the EPnFSR register from generating a FIFO error.</p> <p>0 IP status assertion will cause EPnISR[ERR] assertion. 1 IP status assertion will not cause EPnISR[ERR] assertion.</p>
22	FAEMSK	<p>When set, this bit masks the FAE bit in the EPnFSR register from generating a FIFO error.</p> <p>0 FAE status assertion will cause EPnISR[ERR] assertion. 1 FAE status assertion will not cause EPnISR[ERR] assertion.</p>
21	RXWMSK	<p>When set, this bit masks the RXW bit in the EPnFSR register from generating a FIFO error.</p> <p>0 RXW status assertion will cause EPnISR[ERR] assertion. 1 RXW status assertion will not cause EPnISR[ERR] assertion.</p>
20	UFMSK	<p>When set, this bit masks the UF bit in the EPnFSR register from generating a FIFO error.</p> <p>0 UF status assertion will cause EPnISR[ERR] assertion. 1 UF status assertion will not cause EPnISR[ERR] assertion.</p>
19	OFMSK	<p>When set, this bit masks the OF bit in the EPnFSR register from generating a FIFO error.</p> <p>0 OF status assertion will cause EPnISR[ERR] assertion. 1 OF status assertion will not cause EPnISR[ERR] assertion.</p>
18	TXWMSK	<p>When set, this bit masks the TXW bit in the EPnFSR register from generating a FIFO error.</p> <p>0 TXW status assertion will cause EPnISR[ERR] assertion. 1 TXW status assertion will not cause EPnISR[ERR] assertion.</p>

Table 28-42. EP n FCR Field Descriptions (Continued)

Bits	Name	Description
17–16	—	Reserved, should be cleared.
15–0	CTR	Counter. When in timer mode, the value of COUNTER[15:0] is multiplied by 64 and that result is used to determine the number of cycles that should elapse before the frame ready service request is asserted.

28.2.5.8 USB Endpoint n FIFO Alarm Register (EP n FAR)

	31	30	29	28	27	26	25	24	23	22	21	20	19	18	17	16
R	0	0	0	0	0	0	0	0	0	0	0	0	0	0	0	0
W																
Reset	Uninitialized															
Reg Addr	MBAR + 0xB45C (EP0FAR); 0xB48C (EP1FAR); 0xB4BC (EP2FAR); 0xB4EC (EP3FAR); 0xB51C (EP4FAR); 0xB54C (EP5FAR); 0xB57C (EP6FAR)															
	15	14	13	12	11	10	9	8	7	6	5	4	3	2	1	0
R	0	0	0	0	ALRMP											
W																
Reset	Uninitialized				0	0	0	0	0	0	0	0	0	0	0	0
Reg Addr	MBAR + 0xB45C (EP0FAR); 0xB48C (EP1FAR); 0xB4BC (EP2FAR); 0xB4EC (EP3FAR); 0xB51C (EP4FAR); 0xB54C (EP5FAR); 0xB57C (EP6FAR)															

Figure 28-48. USB Endpoint n Alarm Register (EP n FAR)Table 28-43. EP n FAR Field Descriptions

Bits	Name	Description
31–12	—	Reserved, should be cleared.
11–0	ALRMP	Alarm pointer. The functionality of this field depends on the direction of the FIFO. The direction, type, and packet size are defined in the EP n STAT registers. For Transmitter (IN): The user writes these bits to set the low level “watermark”, which is the point at which the FIFO asserts its request for data filling to the DMA controller. This value is in bytes. For example, with ALARM = 32, the alarm condition will occur when the FIFO has 32 (or less) bytes in it. The alarm, once asserted, will not negate until the high level mark is reached, as specified by the granularity bits in the EP n FCR. For Receiver: The user writes these bits to set the low level “watermark”, which is the point at which the FIFO asserts its request for data emptying to the DMA controller. This value is in bytes. For example, with ALARM = 32, the alarm condition will occur when the FIFO has 32 (or less) free bytes in it. The alarm, once asserted will not negate until the high level mark is reached, as specified by the granularity bits in the EP n FCR.

28.2.5.9 USB Endpoint *n* FIFO Read Pointer (EP_{*n*}FRP)

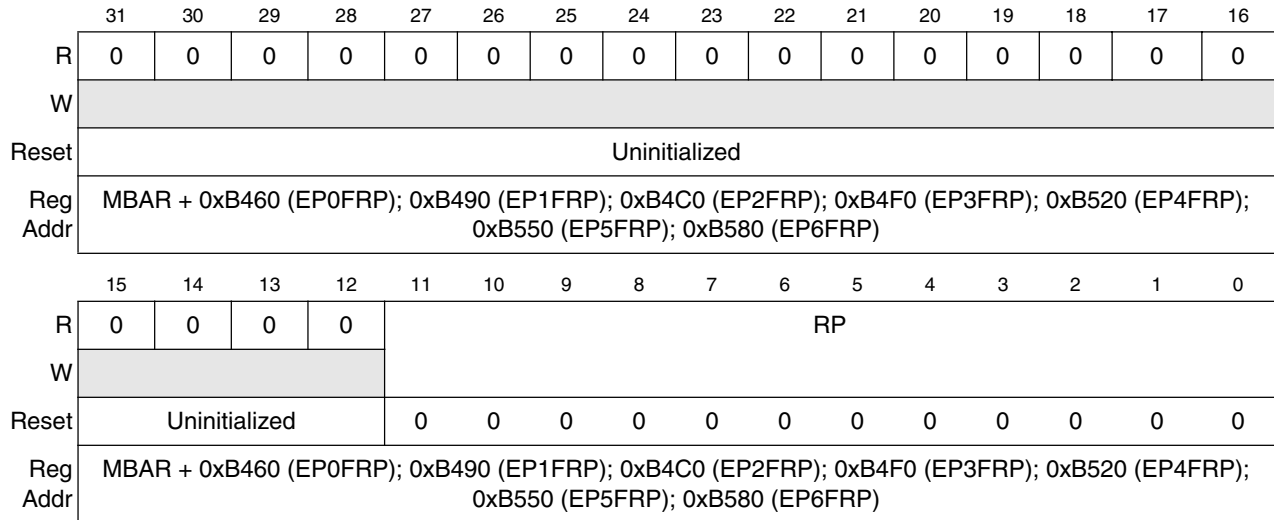


Figure 28-49. USB Endpoint *n* FIFO Read Pointer (EP_{*n*}FRP)

Table 28-44. EP_{*n*}FRP Field Descriptions

Bits	Name	Description
31–12	—	Reserved, should be cleared.
11–0	RP	Read pointer. This value is maintained by the FIFO hardware and is not normally written. Writing to these bits will disrupt the integrity of the data flow. This value represents the Read address being presented to the FIFO RAM.

28.2.5.10 USB Endpoint *n* FIFO Write Pointer (EP_{*n*}FWP)

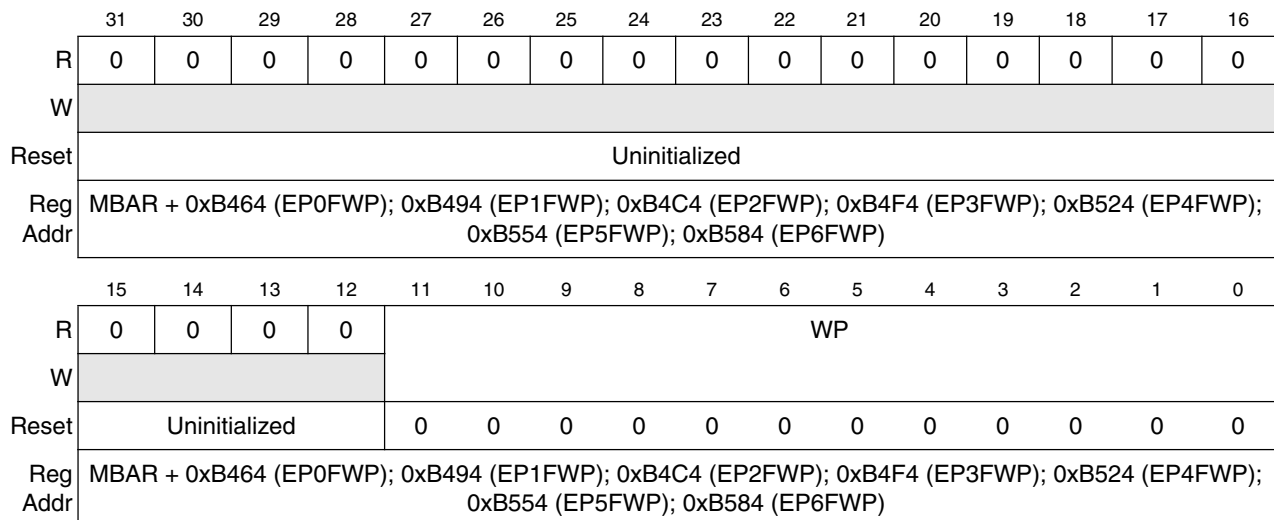


Figure 28-50. USB Endpoint *n* FIFO Write Pointer (EP_{*n*}FWP)

Table 28-45. EP n FWP Field Descriptions

Bits	Name	Description
31–12	—	Reserved, should be cleared.
11–0	WP	Write pointer. This value is maintained by the FIFO hardware and is not normally written. Writing to these bits will disrupt the integrity of the data flow. This value represents the Write address being presented to the FIFO RAM.

28.2.5.11 USB Endpoint n Last Read Frame Pointer (EP n LRFP)

	31	30	29	28	27	26	25	24	23	22	21	20	19	18	17	16
R	0	0	0	0	0	0	0	0	0	0	0	0	0	0	0	0
W																
Reset	Uninitialized															
Reg Addr	MBAR + 0xB468 (EP0LRFP); 0xB498 (EP1LRFP); 0xB4C8 (EP2LRFP); 0xB4F8 (EP3LRFP); 0xB528 (EP4LRFP); 0xB558 (EP5LRFP); 0xB588 (EP6LRFP)															
	15	14	13	12	11	10	9	8	7	6	5	4	3	2	1	0
R	0	0	0	0	LRFP											
W																
Reset	Uninitialized				0	0	0	0	0	0	0	0	0	0	0	0
Reg Addr	MBAR + 0xB468 (EP0LRFP); 0xB498 (EP1LRFP); 0xB4C8 (EP2LRFP); 0xB4F8 (EP3LRFP); 0xB528 (EP4LRFP); 0xB558 (EP5LRFP); 0xB588 (EP6LRFP)															

Figure 28-51. USB Endpoint n Last Read Frame Pointer (EP n LRFP)Table 28-46. EP n LRFP Field Descriptions

Bits	Name	Description
31–12	—	Reserved, should be cleared.
11–0	LRFP	Last read frame pointer. FIFO-maintained pointer that indicates the start of the most recently read frame or the start of the frame currently in transmission. The LRFP can be read and written for debug purposes. For the frame retransmit function, the LRFP indicates which point to begin retransmission of the data frame. There are no safeguards to prevent retransmitting data that has been overwritten. When EP n FCR[FRM] is not set, this pointer has no meaning.

28.2.5.12 USB Endpoint n Last Write Frame Pointer (EP n LWFP)

	31	30	29	28	27	26	25	24	23	22	21	20	19	18	17	16
R	0	0	0	0	0	0	0	0	0	0	0	0	0	0	0	0
W																
Reset	Uninitialized															
Reg Addr	MBAR + 0xB46C (EP0LWFP); 0xB49C (EP1LWFP); 0xB4CC (EP2LWFP); 0xB4FC (EP3LWFP); 0xB52C (EP4LWFP); 0xB55C (EP5LWFP); 0xB58C (EP6LWFP)															
	15	14	13	12	11	10	9	8	7	6	5	4	3	2	1	0
R	0	0	0	0	LWFP											
W																
Reset	Uninitialized				0	0	0	0	0	0	0	0	0	0	0	0
Reg Addr	MBAR + 0xB46C (EP0LWFP); 0xB49C (EP1LWFP); 0xB4CC (EP2LWFP); 0xB4FC (EP3LWFP); 0xB52C (EP4LWFP); 0xB55C (EP5LWFP); 0xB58C (EP6LWFP)															

Figure 28-52. USB Endpoint n Last Write Frame Pointer (EP n LWFP)

Table 28-47. EP n LWFP Field Descriptions

Bits	Name	Description
31–12	—	Reserved, should be cleared.
11–0	LWFP	Last write frame pointer. FIFO-maintained pointer that indicates the start of the last frame written into the FIFO. The LWFP can be read and written for debug purposes. For the frame retransmit function, the LRFP indicates which point to begin retransmission of the data frame. For the frame discard function, the LWFP divides the valid data region of the FIFO (the area in-between the read and write pointers) into framed and unframed data. Data between the LFP and write pointer is of an incomplete frame, while data between the read pointer and the LWFP has been received as whole frames. When EP n FCR[FRM] is not set, then this pointer has no meaning.

28.3 Functional Description

28.3.1 Interrupts

Please see Chapter 12, “Interrupt Controller,” for information on the USB interrupts.

28.4 Software Interface

This section provides information pertinent to programming the device. It includes information to configure, program, and debug the device.

28.4.1 Device Initialization

During device initialization, user software prepares the USB 2.0 device datapath for processing. This process is performed at two different times: hard reset and when the device is first connected to the USB.

The device must be able to detect a connection event to the USB. This operation is described in the USB Specification, Chapter 7 (Electrical Specification).

At power-up time, the USB module contains no configuration information. The USB module does not know how many endpoints it has available or how to find the descriptors. Initialization for the device consists of downloading this information to the appropriate memories and configuring the datapath to match the intended application. The following steps are involved in the initialization process:

1. Perform a hard reset or a USB reset (set USBCCR[USBRST]).
2. Download USB descriptors to the descriptor RAM via the DRAMCR and DRAMDR.
3. Program the USB interrupt mask register (USBIMR) to enable interrupts not associated with a particular endpoint. Make sure to unmask the RSTSTOP bit.
4. Program the FIFO sizes (EP_nFRCFGR) and configure the FIFO RAM according to the application needs (USBCCR[RAMSPLIT] bit).
5. Program the FIFO controller registers (EP_nFCR, EP_nFAR) for each endpoint, program frame mode, shadow mode, granularity, alarm level, frame size, etc. (EP_nFCR). Normally, all endpoints should be programmed with both frame mode and shadow mode enabled.
6. Program each endpoint's control (EP_nSTAT) and interrupt mask (EP_nIMR) registers to support the intended data transfer modes.
7. Wait for the RSTSTOP interrupt to indicate that reset signalling has completed and the device is in the DEFAULT state.
8. Program the type (EP0ACR) and maximum packet size (EP0MPSR) for the default control endpoint.
9. Enable the default control endpoint (EP0OUTSR[ACTIVE]).
10. Program the type (EP_n[OUT/IN]ACR) and maximum packet size (EP_n[OUT/IN]MPSR) for each endpoint that will be used in addition to the default control endpoint.
11. Enable each endpoint (EP_n[OUT/IN]SR[ACTIVE]) that will be used in addition to the default control endpoint. Note that module initialization is a time critical process. The USB host will wait about 100 ms after power-on or a connection event to begin enumerating devices on the bus. This device must have all of the configuration information available when the host requests it.

Once the device has been enumerated, the USB host will select a specific configuration and set of interfaces on the device. Software on the device must beware of USB configuration changes requests in order to maintain proper communication with the USB host. The software retains sole responsibility for knowing which configuration and alternate interface are current at any given time.

28.4.1.1 USB Descriptor Download

The USB descriptors are standard data structures which are used by the USB host to allocate bandwidth and to determine how many and what kind of endpoints are available on the device. While this data is stored in the descriptor RAM, it is not directly used by the USB 2.0 device controller. The data gets returned to the USB host during a GET_DESCRIPTOR request. The USB host picks a specific configuration and alternate interface, and then instructs the device which to enable. The USB descriptor formats are defined in Chapter 9 of the *USB Specification, Revision 2.0*. Software programs are available from various sources to assist the integrator in creating the descriptor tables.

Software is responsible for FIFO management and endpoint reconfiguration each time the USB host requests a configuration change via the SET_CONFIGURATION request.

Download of the descriptor data consists of the following steps:

1. Verify that the USB_{CR}[RAMEN] bit is clear. This ensures that the datapath to the descriptor RAM is open to the application.
2. Write the starting address of the descriptors into the DADR field of the DRAM_{CR}. The address written to this register is the address of the descriptors within the descriptor RAM.
3. Write each byte of the descriptor table to the DDAT field of the DRAM_{DR}. This register increments automatically at each register access (read or write).

28.4.1.2 USB Interrupt Register

If the application makes use of the interrupt registers, then the specific interrupts to be used must be enabled. During a reset, all interrupts revert to the masked state. USB global interrupts (affecting whole module) are programmed separately from those affecting a single endpoint.

28.4.1.3 Endpoint Registers

For each endpoint, the characteristics of the FIFO and a number of interrupt sources may be programmed. The integrator must program the following registers:

- USB internal endpoint context registers USB endpoint status settings (EP_nSTAT).
- USB endpoint interrupt mask (EP_nIMR)
- Separate interrupt registers are provided for each hardware FIFO. Enable the interrupts pertaining to the application by writing a 0 to the mask bit for that interrupt.
- Endpoint FIFO controller configuration (EP_nFCR)
- Each FIFO is programmed based for the type of data transmission used by the endpoint
- FIFO alarm register (EP_nFAR).
- For bulk traffic (EP_nFCR[FRAME] = 1), the alarm level is normally programmed to a multiple of the USB packet size (that is, for 8-byte packets and a 16-byte FIFO, the alarm would be programmed to 8 bytes) to allow the DMA request lines to request full packets. For single buffered endpoints (packet size = 8, FIFO depth = 8 bytes), the alarm is normally programmed to 0. For isochronous traffic, the alarm is programmed to allow streaming operation to occur on the isochronous endpoint.

28.4.1.3.1 USB Endpoint to FIFO Mapping

The USB protocol recognizes up to 31 endpoints on a USB device. The endpoint numbers available on a specific USB device can vary based on the functionality present in the device, along with the configuration and alternate interfaces selected at any given time. Regardless of the “logical” endpoint number programmed in the interface descriptors, some hardware must be associated with each endpoint.

Each hardware endpoint consists of a single FIFO which can be programmed independently for depth, direction, frame mode, and low/high alarms.

- Endpoint direction is defined via the EP_nSTAT register for each endpoint. FIFO characteristics are programmed via the EP_nFCR and EP_nFAR. These settings should be configured before the device responds to a request from the host.

28.4.1.4 FIFO Sizes

FIFO sizes must be programmed to match the traffic sent across the USB. The EP_n FRCFGR along with the USB BCR [RAMSPLIT] bit allow software to specify the memory configuration that is to be used at any given time.

In most cases, all endpoints should be disabled and all FIFOs should be flushed following the reconfiguration of the FIFO sizes.

28.4.1.5 Enable the Device

One of the last steps in initializing the module is to enable it for processing via the RAMEN bit in the USB BCR .

28.4.2 Exception Handling

Exception handling refers to two situations. The first occurs when corrupted frames must be discarded. The second is when an error situation occurs on the USB.

Corrupted frames are automatically discarded by the hardware. No software intervention is required to deal with this problem.

If the device cannot respond to the host in the time allotted, hardware automatically handles retries. No software intervention is required in this case.

The following types of error situations can arise and must be dealt with by the software.

28.4.2.1 Unable to Fill or Empty FIFO Due to Temporary Problem

If the module is unable to fill or empty a FIFO due to a temporary problem (for example the OS did not service the FIFO in time and it overflowed), the software should stall the endpoint via the PSTALL bit in the EP_n SR. This will abort the transfer in progress and force intervention from the USB host to clear the stall condition. The PSTALL bit automatically clears once the next SETUP token is received from the host. It is up to the application software on the host to deal with the stall condition and notify the device as to how it should proceed.

28.4.2.2 Catastrophic Error

In the case of a catastrophic error, the software should execute a hard reset, reinitialize the USB module, and wait for the USB host to re-enumerate the bus.

28.4.3 Data Transfer Operations

Three types of data transfer modes exist for this module: control transfers, bulk transfers, and isochronous transfers. In addition to the three data transfer modes listed, the USB specification also supports an interrupt transfer. From the point of view of this module, the interrupt transfer type is identical to the bulk data transfer mode, and no additional hardware is supplied to support it. This section covers the transfer modes and how they work from the ground up.

All data is moved across the USB in terms of packets. Groups of packets are combined to form data transfers. The same packet transfer mechanism applies to bulk, interrupt, and control transfers. Isochronous data is also moved in the form of packets, but since isochronous pipes are given a fixed portion of the USB bandwidth at all time, there is no concept of an end of transfer.

28.4.3.1 USB Packets

Data moves across the USB in units called packets. Packets range in size from 0 to 1024 bytes, and depending on the transfer mode, the packet size is restricted to a small set of values. Control packet sizes are limited to 8, 16, 32, or 64 bytes. Bulk packet sizes are limited to 8, 16, 32, 64, or 512 bytes. Isochronous and interrupt data packets can take any size from 0 to 1024 bytes. The packet size is programmable within the USB module on an endpoint by endpoint basis.

The terms packet and frame are used interchangeably within this document. While USB traffic occurs in units called packets, the FIFO mechanism uses the term frames for the same blocks of data. The only difference between frames and packets from the user's standpoint is that packets may be as little as 0 bytes in length, while a frame must be at least 1 byte in length.

28.4.3.1.1 Short Packets

Each endpoint has a maximum packet size associated with it. In most cases, packets transferred across an endpoint will be sent at the maximum size. Since the USB does not indicate a data transfer size, or include an end of transfer token, short packets are used to mark the end of data. Software indicates end of data by writing short packets into the FIFO. Incoming short packets are indicated by examining the length of a received packet or by looking at the end of transfer and end of frame interrupts.

28.4.3.2 Sending Packets

To send a packet of data to the USB host using programmed I/O, use the following steps:

1. For an n byte packet, write the first $n-1$ bytes to the FIFO data register (EP n FDR). Data may be written as bytes, words, or longwords.
2. For the n^{th} byte, set the WFR bit in the EP n FCR, then write the last data byte to the EP n FDR. Note that data is written in big-endian format.

The multichannel DMA can also be used to send packets. Please refer to the DMA API documentation for more information.

28.4.3.3 Receiving Packets

To receive a packet of data from the USB host, either DMA or programmed I/O may be used.

Refer to the DMA API documentation for DMA access information.

For programmed I/O, follow these steps:

1. Monitor EOF interrupt for the endpoint.
2. On receiving EOF interrupt, prepare to read a complete packet of data. Clear the EOF interrupt so that software will receive notification of the next frame.
3. Read the EP n FDR to read in the next piece of data.
4. Read the EP n FSR to get the end of frame status bits. If the end of frame bit is set for the current transfer, then stop reading data.
5. Go back to step 3.

28.4.3.3.1 Programming the FIFO Controller

The FIFO controller module has two modes of operation: frame and non-frame. For the USB application, normally only frame mode is used.

In frame mode, the FIFO controller can handle automatic hardware retry of bad packets. This mode is used for bulk, control, and interrupt endpoints. During device initialization, the user should configure the FIFOs via the EP n FCR for frame mode. Data flow is controlled with the end-of-frame (EOF) and end-of-transfer (EOT) interrupts, or with the internal DMA request lines.

28.4.3.4 USB Transfers

Data transfers on the USB are composed of one or more packets. Instead of maintaining a transfer count, the USB host and device send groups of packets to each other in units called transfers. In a transfer, all packets are the same size, except the last one. The last packet in a transfer will be a short packet, as small as 0 bytes in the case that the last data byte ends on a packet boundary.

This section describes how data transfers work from both the device to the host, and from the host to the device.

28.4.3.4.1 Data Transfers to the Host

Given an arbitrary sized block of data to be sent to the host, break it into a number of packets sized at the maximum packet size of the target endpoint.

If the number of packets is an integer, then the transfer ends on a packet boundary. A zero length packet will be required to terminate the transfer. If the number of packets is not an integer, then the last packet of the transfer will be a short packet and no zero length packet is required.

For each packet in the transfer, write the data to the EP n FDR. The last byte in each packet must be tagged with the end of frame marker via the EP n FCR (if using the DMA, this is taken care of via the DMA service request lines). Monitor the FIFOLO interrupt, EOF interrupt, or DMA service requests to determine when the FIFO can accept another packet.

After the last byte of the transfer has been written to the FIFO, if a zero length packet is required to terminate the transfer, then set the CCOMP/TXZERO bit in the EP n OUTSR or EP n INSR.

28.4.3.4.2 Data Transfers to the Device

The length of data transfer from the host is generally not known in advance. The device receives a continuous stream of packets and uses the EOT interrupt to determine when the transfer ended.

Software on the device monitors the EOF interrupt and/or the DMA requests to manage packet traffic. Each time a packet is received, the device must pull the data from the FIFO. Each time an end of frame is transferred from the USB module into the data FIFO, the EOF interrupt asserts. At the end of a complete transfer, the EOT interrupt asserts. Until the CPU has serviced the EOT interrupt, the device will NAK any further requests from the host. This guarantees that data from two different transfers will never get intermixed within the FIFO.

NOTE

The DMA extensions do not define a zero length frame. Thus, it is necessary to have the CPU monitor the EOT interrupts and use them as a basis for delineating individual transfers. USB traffic flow is halted until the EOT interrupt has been serviced to ensure that data from different data transfers does not get mixed-up in the FIFOs.

28.4.3.5 Control Transfers

The USB 2.0 Device Controller provides one control endpoint, endpoint zero. The USB host sends commands to the device via control transfers. Control transfers consist of up to three distinct phases. Each control transfer begins with a setup phase, followed by an optional data phase, and is completed with a status phase.

28.4.3.5.1 Default Control Pipe

Every USB device is required to implement a control endpoint, the Default Control Pipe, on endpoint zero (EP0). The USB host uses the default endpoint to read the device descriptors and to configure the device.

28.4.3.5.2 Device Requests

The Setup packet of a control transfer contains the request from the host and the request's parameters. Some of these requests are recognized by the USB device controller as standard device requests, while others are non-standard requests classified as vendor-specific or class-specific. The USB device controller automatically processes the following standard requests without any application intervention:

- SET_FEATURE, CLEAR_FEATURE
- GET_CONFIGURATION
- GET_INTERFACE
- GET_STATUS
- SET_ADDRESS

The following requests require application intervention:

- SET_CONFIGURATION
- SET_DESCRIPTOR, GET_DESCRIPTOR
- SET_INTERFACE
- Non-standard requests: vendor-specific or class-specific

The GET_DESCRIPTOR request requires a minimal amount of software intervention. See [Section 28.2.2.3, “USB Descriptor RAM Control Register \(DRAMCR\)”](#), for more details.

Command processing of the remaining requests that require application intervention should occur in the following order:

1. A SETUP packet is received on EP0 and the USB_AISR[SETUP] bit will be set.
2. Read 8 bytes from the BMRTR, BRTR, WVALUER, WINDEXR, and WLENGTHR registers and decode the command.
3. Clear the USB_AISR[SETUP] interrupt.
4. Handle the request appropriately. If a data transfer is implied by the command, set up and perform the data transfer. Be careful not to send back more bytes to the USB host than were requested in the wLength field of the SETUP packet. The USB device controller hardware does not check for incorrect data phase length. The EOT interrupt will assert on completion of the data phase.
5. Set CCOMP in either the EPnOUTSR or EPnINSR and TXZERO in EPnOUTSR or EPnINSR to complete the transfer. If needed, also set the PSTALL bit in either EPnOUTSR or EPnINSR to indicate error status. The USB device controller will generate appropriate handshakes on the USB to implement the status phase.

28.4.3.6 Bulk Traffic

Bulk traffic guarantees the error-free delivery of data in the order that it was sent, but the rate of transfer is not guaranteed. Bandwidth is allocated to bulk, interrupt, and control packets based on the bandwidth usage policy of the USB host.

28.4.3.6.1 Bulk OUT

For OUT transfers (from host to device), internal logic marks the start of packet location in the FIFO. If a transfer does not complete without errors, the logic will force the FIFO to back up to the start of the current packet and try again. No software intervention is required to handle packet retries.

User software reads packets from the FIFOs as they appear and stops when an EOT interrupt is received. To enable further data transfers, software services and clears the pending interrupts (EOF or EOT), then waits for the next transfer to begin.

28.4.3.6.2 Bulk IN

For IN transfers (from device to host), software tags the last byte in a packet to mark the end of frame. If a transfer does not complete without errors, hardware will automatically force the FIFO to back up to the start of the current packet and re-send the data. User software is expected to write data to the FIFO data register in units of the associated endpoint's maximum packet size. The end of frame may be indicated via the WFR bit in the endpoint FIFO control register (EP n FCR).

In the USB protocol, the last packet in a transfer is allowed to be short (smaller than endpoint's maximum packet size) or even zero length. In order to indicate a zero length packet, the software should set the CCOMP/TXZERO bit in the EP n OUTSR or EP n INSR.

28.4.3.7 Interrupt Traffic

Interrupt endpoints are a special case of bulk traffic. Interrupt endpoints are serviced on a periodic basis by the USB host. Interrupt endpoints are guaranteed to transfer one packet per polling interval. Thus, an endpoint with an 8-byte packet size and serviced every 2 ms would move 16 Kbps across the USB.

The only difference between interrupt transfers and bulk transfers from the device standpoint is that every time an interrupt packet is transferred, regardless of size, the EOT interrupt asserts. For OUT endpoints, the device driver software must service this interrupt before the next interrupt servicing interval to prevent the device from NAK'ing the poll.

Device driver software must be careful that the interrupt endpoint polling interval is longer than the device's interrupt service latency.


28.4.3.8 Isochronous Operations

Isochronous operations are a special case of USB traffic. Instead of guaranteeing delivery with unbounded latency, isochronous traffic flows over the bus at a guaranteed rate with no error checking.

28.4.3.8.1 Isochronous Transfer Summary

The USB host guarantees an endpoint at most 3 isochronous packets per microframe (or 24 packets per frame or 24 MBytes per second). Isochronous packets may range from 0 bytes to 1023 bytes. Please refer to the USB specification for more information on isochronous transfer.

Given that isochronous packets may be as large as 1023 bytes, it may not be practical to implement large FIFOs for each endpoint. Instead, the software drivers are responsible for keeping the FIFOs serviced.



Each time an IN or OUT request is received on an isochronous endpoint, the software drivers must ensure that the correct amount of data can be transferred without allowing the FIFO to go empty. If the FIFO goes empty during an isochronous packet transfer, the host will terminate the packet immediately and the device loses its time slot until the next USB frame.

In order to allow the driver software to maintain synchronization with the USB host, the USB maintains a register which holds the current USB frame number. The start of frame maskable interrupt (USBISR[SOF] and USBIMR[SOF]) along with the frame number register (FRMNUMR) may be used for this synchronization.

Chapter 29

Fast Ethernet Controller (FEC)

29.1 Introduction

This Fast Ethernet Controller (FEC) chapter provides a functional block diagram, a feature-set overview, and transceiver connection information for both the 10 and 100 Mbps MII (Media Independent Interface), as well as the 7-wire serial interface. Additionally, detailed descriptions of operation and the programming model are included.

29.1.1 MCF547X Family Products

The number of FECs supported varies for different members of the MCF547X family as shown in [Table 29-1](#).

Table 29-1. MCF547X Family Products

Product	Number of FECs supported
MCF5475	Two FECs
MCF5474	Two FECs
MCF5473	One FEC
MCF5472	One FEC
MCF5471	Two FECs
MCF5470	Two FECs

29.1.2 Block Diagram

The block diagram of the FEC is shown below. The FEC is implemented with a combination of hardware and microcode. The off-chip (Ethernet) interfaces are compliant with industry and IEEE 802.3 standards.

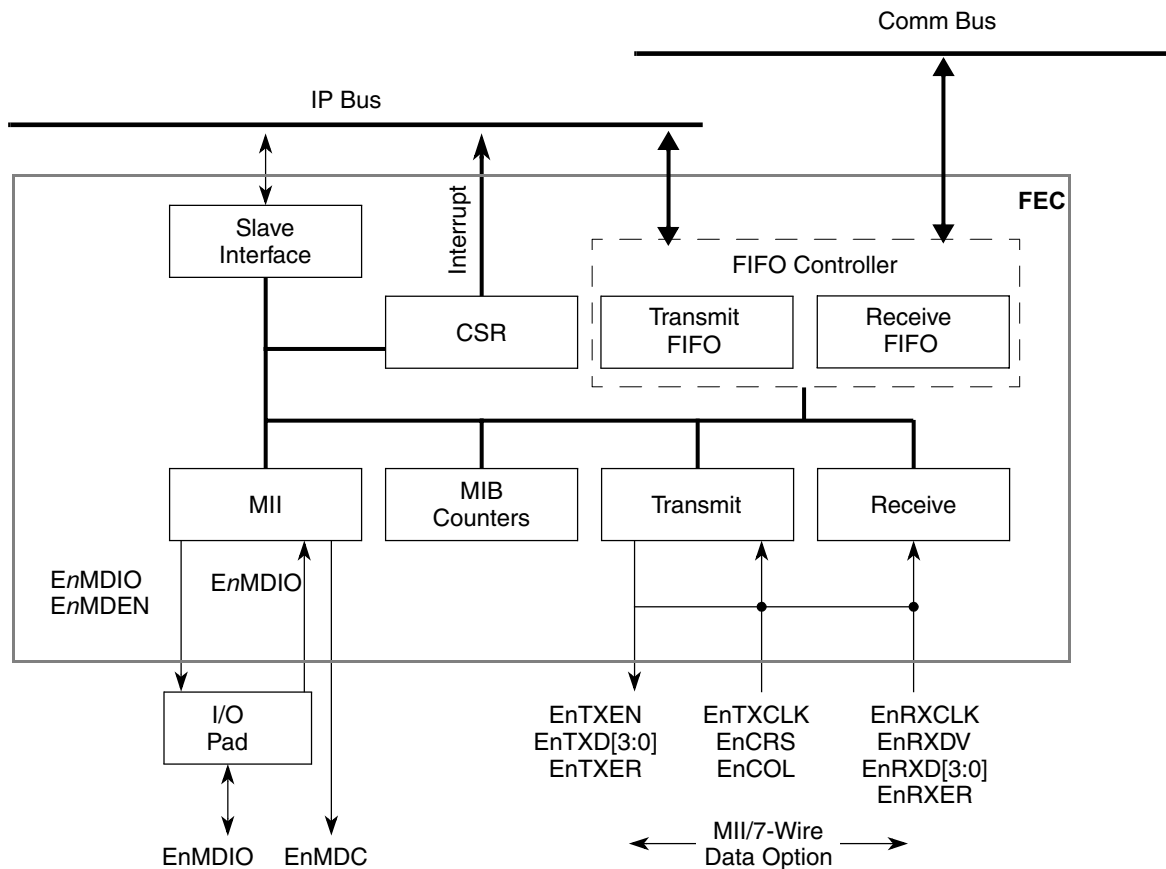


Figure 29-1. FEC Block Diagram

29.1.3 Overview

The Fast Ethernet Controller is designed to support both 10 and 100 Mbps Ethernet/IEEE 802.3 networks. An external transceiver interface and transceiver function are required to complete the interface to the media. The FEC supports three different standard MAC-PHY (physical) interfaces for connection to an external Ethernet transceiver. The FEC supports the 10/100 Mbps MII and the 10 Mbps-only 7-wire interface, which uses a subset of the MII pins. The user controls the FEC by writing the control registers within the CSR (control and status register) block. The CSR provides global control (e.g. Ethernet reset and enable) and interrupt handling registers.

The MII block provides a serial channel for control/status communication with the external physical layer device (transceiver). This serial channel consists of the EMDC (management data clock) and EMDIO (management data input/output) lines of the MII interface.

The transmit and receive blocks provide the Ethernet MAC functionality (with some assist from microcode). The transmit and receive FIFOs are 1024 bytes each.

The message information block (MIB) maintains counters for a variety of network events and statistics. It is not necessary for operation of the FEC but provides valuable counters for network management. The counters supported are the RMON (RFC 1757) Ethernet Statistics group and some of the IEEE 802.3 counters. See [Section 29.3.3, “MIB Block Counters Memory Map,”](#) for more information.

29.1.4 Features

The FEC incorporates the following features:

- Support for three different Ethernet physical interfaces:
 - 100-Mbps IEEE 802.3 MII
 - 10-Mbps IEEE 802.3 MII
 - 10-Mbps 7-wire interface
- IEEE 802.3 full duplex flow control
- Programmable max frame length supports IEEE 802.1 VLAN tags and priority
- Support for full-duplex operation (200Mbps throughput) with a minimum system clock rate of 50MHz
- Support for half-duplex operation (100Mbps throughput) with a minimum system clock rate of 25 MHz
- Retransmission from transmit FIFO following a collision (no processor bus utilization)
- Address recognition
 - Frames with broadcast address may be always accepted or always rejected
 - Exact match for single 48-bit individual (unicast) address
 - Hash (64-bit hash) check of individual (unicast) addresses
 - Hash (64-bit hash) check of group (multicast) addresses
 - Promiscuous mode

29.1.5 Modes of Operation

The primary operational modes are described in this section.

29.1.5.1 Full and Half Duplex Operation

Full duplex mode is intended for use on point to point links between switches or end node to switch. Half duplex mode is used in connections between an end node and a repeater or between repeaters. Selection of the duplex mode is controlled by TCR[FDEN] and RCR[DRT].

When configured for full duplex mode, flow control may be enabled. Refer to the TCR[RFC_PAUSE] and TCR[TFC_PAUSE] bits, the RCR[FCE] bit, and [Section 29.4.8, “Full Duplex Flow Control,”](#) for more details.

29.1.5.2 Interface Options

The following interface options are supported. A detailed discussion of the interface configurations is provided in [Section 29.4.3, “Network Interface Options”](#).

29.1.5.2.1 10 Mbps and 100 Mbps MII Interface

MII is the Media Independent Interface defined by the IEEE 802.3 standard for 10/100 Mbps operation. The MAC-PHY interface may be configured to operate in MII mode by asserting RCR[MII_MODE].

The speed of operation is determined by the ETXCLK and ERXCLK signals which are driven by the external transceiver. The transceiver will either auto-negotiate the speed or it may be controlled by software via the serial management interface (EMDC/EMDIO signals) to the transceiver. Refer to the MMFR and MSCR register descriptions as well as the description of how to read and write registers in the

transceiver via this interface in the following sections: [Section 29.4.3, “Network Interface Options,”](#) [Section 29.4.13, “MII Data Frame,”](#) and [Section 29.4.14, “MII Management Frame Structure.”](#)

29.1.5.2.2 10 Mbps 7-Wire Interface Operation

The FEC supports a 7-wire interface as used by many 10 Mbps Ethernet transceivers. The RCR[MII_MODE] bit controls this functionality. If this bit is deasserted, the MII mode is disabled and the 10 Mbps, 7-wire mode is enabled.

29.1.5.3 Address Recognition Options

The address options supported are promiscuous, broadcast reject, individual address (hash or exact match), and multicast hash match. Address recognition options are discussed in detail in [Section 29.4.6, “Ethernet Address Recognition”](#).

29.1.5.4 Internal Loopback

Internal loopback mode is selected via RCR[LOOP]. Loopback mode is discussed in detail in [Section 29.4.11, “Internal and External Loopback”](#).

29.2 External Signals

The MII interface consists of 18 signals. The transmit and receive functions require seven signals each, four data signals, a delimiter, error, and clock. In addition, there are two signals which indicate the status of the media, one indicates the presence of a carrier, and the second one indicates that a collision has occurred. The remaining two signals provide a management interface. Each MII signal is described below.

29.2.1 Transmit Clock (*EnTXCLK*)

EnTXCLK is a continuous input clock that provides a timing reference for *EnTXEN*, *EnTXD*, and *EnTXER*.

29.2.2 Receive Clock (*EnRXCLK*)

EnRXCLK is a continuous input clock which provides a timing reference for *EnRXDV*, *EnRXD*, and *EnRXER*.

29.2.3 Transmit Enable (*EnTXEN*)

Assertion of this output signal indicates that there are valid nibbles being presented on the MII. This signal is asserted with the first nibble of preamble and is negated prior to the first *EnTXCLK* following the final nibble of the frame.

29.2.4 Transmit Data[3:0] (*EnTXD*[3:0])

EnTXD[3:0] represent a nibble of data when *EnTXEN* is asserted and have no meaning when *EnTXEN* is de-asserted. *EnTXD0* is used for serial data in 7-wire mode. [Table 29-2](#) summarizes the permissible encoding of *EnTXD*.

29.2.5 Transmit Error (*EnTXER*)

Assertion of this output signal for one or more clock cycles while *EnTXEN* is asserted shall cause the PHY to transmit one or more illegal symbols. Asserting *EnTXER* has no affect when operating at 10 Mbps or when *EnTXEN* is de-asserted. This signal transitions synchronously with respect to *EnTXCLK*.

29.2.6 Receive Data Valid (*EnRXDV*)

When this input signal is asserted, the PHY is indicating that a valid nibble is present on the MII. This signal shall remain asserted from the first recovered nibble of the frame through the last nibble. Assertion of *EnRXDV* must start no later than the Start of Frame delimiter (SFD), and exclude any End of Frame delimiter (EOF).

29.2.7 Receive Data[3:0] (*EnRXD[3:0]*)

EnRXD[3:0] represents a nibble of data to be transferred from the PHY to the MAC when *EnRXDV* is asserted. A completely formed SFD must be passed across the MII. When *EnRXDV* is not asserted, *EnRXD* has no meaning. There is an exception to this which is explained later. [Table 29-3](#) summarizes the permissible encoding of *EnRXD*. *EnRXD0* is used for serial data in 7-wire mode.

29.2.8 Receive Error (*EnRXER*)

When *EnRXER* and *EnRXDV* are asserted, the PHY has detected an error in the current frame. When *EnRXDV* is not asserted, *EnRXER* shall have no affect. This signal transitions synchronously with *EnRXCLK*.

29.2.9 Carrier Sense (*EnCRS*)

This input signal is asserted when the transmit or receive medium is not idle. In the event of a collision, *EnCRS* will remain asserted through the duration of the collision. This signal is not required to transition synchronously with *EnTXCLK* or *EnRXCLK*.

29.2.10 Collision (*EnCOL*)

This input signal is asserted upon detection of a collision, and will remain asserted while the collision persists. The behavior of this signal is not specified when in Full Duplex mode. This signal is not required to transition synchronously with *EnTXCLK* or *EnRXCLK*.

29.2.11 Management Data Clock (*EnMDC*)

This signal provides a timing reference to the PHY for data transfers on the *EnMDIO* signal. *EnMDC* is aperiodic, and has no maximum high or low times. The minimum high and low times is 160ns, with the minimum period being 400ns.

29.2.12 Management Data (*EnMDIO*)

This signal transfers control/status information between the PHY and MAC. It transitions synchronously to *EnMDC*. The *EnMDIO* pin is a bidirectional pin.

[Table 29-2](#) below provides the interpretation of the possible encodings of *EnTXEN*, *EnTXER*.

Table 29-2. MII: Valid Encoding of *EnTXD*, *EnTXEN* and *EnTXER*

<i>EnTXEN</i>	<i>EnTXER</i>	<i>EnTXD</i> [3:0]	Indication
0	0	0000 through 1111	Normal inter-frame
0	1	0000 through 1111	Reserved
1	0	0000 through 1111	Normal data transmission
1	1	0000 through 1111	Transmit error propagation

A false carrier condition occurs if the PHY detects a bad start-of-stream delimiter. This condition is signaled to the MII by asserting *EnRXER* and placing 1110 on *EnRXD*. *EnRXDV* must also be de-asserted. The valid encodings of *EnRXDV*, *EnRXER* and *EnRXD*[3:0] are shown in [Table 29-3](#) below.

Table 29-3. MII: Valid Encoding of *EnRXD*, *EnRXER* and *EnRXDV*

<i>EnRXDV</i>	<i>EnRXER</i>	<i>EnRXD</i> [3:0]	Indication
0	0	0000 through 1111	Normal inter-frame
0	1	0000	Normal inter-frame
0	1	0001 through 1101	Reserved
0	1	1110	False Carrier
0	1	1111	Reserved
1	0	0000 through 1111	Normal Data Reception
1	1	0000 through 1111	Data reception with errors

29.3 Memory Map/Register Definition

This section gives an overview of the FEC registers. The FEC is programmed by control/status registers (CSRs). The CSRs are used for mode control and to extract global status information.

29.3.1 Top Level Module Memory Map

The FEC implementation occupies a 1-Kbyte memory map space. This is divided into two sections of 512 bytes each. The first is used for control/status registers. The second contains event/statistic counters held in the MIB block. [Table 29-4](#) defines the top level memory map.

Table 29-4. Module Memory Map

Address	Function
MBAR + 0x9000–91FF	FEC 0 Control/Status Registers
MBAR + 0x9200–93FF	FEC 0 MIB Block Counters
MBAR + 0x9800–99FF	FEC 1 Control/Status Registers
MBAR + 0x9A00–9BFF	FEC 1 MIB Block Counters

29.3.2 Detailed Memory Map (Control/Status Registers)

Table 29-5 shows the FEC register memory map with each register address, name, and a brief description.

Table 29-5. FEC Register Memory Map

MBAR Offset for FEC0	MBAR Offset for FEC1	Name	Byte 0	Byte 1	Byte 2	Byte 3
0x9000	0x9800	Reserved				
0x9004	0x9804	Ethernet Interrupt Event Register	EIR			
0x9008	0x9808	Ethernet Interrupt Mask Register	EIMR			
0x900C– 0x9020	0x980C– 0x9820	Reserved				
0x9024	0x9824	Ethernet Control Register	ECR			
0x9028– 0x903C	0x9828– 0x983C	Reserved				
0x9040	0x9840	MII Data Register	MDATA			
0x9044	0x9844	MII Speed Control Register	MSCR			
0x9048– 0x9060	0x9848– 0x9860	Reserved				
0x9064	0x9864	MIB Control/Status Register	MIBC			
0x9068– 0x9080	0x9868– 0x9880	Reserved				
0x9084	0x9884	Receive Control Register	RCR			
0x9088	0x9888	Receive Hash Register	RHR			
0x908C– 0x90C0	0x988C– 0x98C0	Reserved				
0x90C4	0x98C4	Transmit Control Register	TCR			
0x90C8– 0x90E0	0x98C8– 0x98E0	Reserved				
0x90E4	0x98E4	Physical Address Low Register	PALR			
0x90E8	0x98E8	Physical Address High Register	PAHR			
0x90EC	0x98EC	Opcode / Pause Duration Register	OPD			
0x90F0– -0x9114	0x98F0– -0x9814	Reserved				
0x9118	0x9918	Individual Address Upper Register	IAUR			
0x911C	0x991C	Individual Address Lower Register	IALR			
0x9120	0x9920	Group Address Upper Register	GAUR			
0x9124	0x9924	Group Address Lower Register	GALR			

Table 29-5. FEC Register Memory Map (Continued)

MBAR Offset for FEC0	MBAR Offset for FEC1	Name	Byte 0	Byte 1	Byte 2	Byte 3	
0x9128–0x9140	0x9828–0x9840	Reserved					
0x9144	0x9944	FEC Transmit FIFO Watermark	FECTFWR				
0x9184	0x9984	FEC Receive FIFO Data Register	FECRFDR				
0x9188	0x9988	FEC Receive FIFO Status Register	FECRFSR				
0x918C	0x998C	FEC Receive FIFO Control Register	FECRFCR				
0x9190	0x9990	FEC Receive FIFO Last Read Frame Pointer	FECRLRFP				
0x9194	0x9994	FEC Receive FIFO Last Write Frame Pointer	FECRLWFP				
0x9198	0x9998	FEC Receive FIFO Alarm Register	FECRFAR				
0x919C	0x999C	FEC Receive FIFO Read Pointer Register	FECRFRP				
0x91A0	0x99A0	FEC Receive FIFO Write Pointer Register	FECRFWP				
0x91A4	0x99A4	FEC Transmit FIFO Data Register	FECTFDR				
0x91A8	0x99A8	FEC Transmit FIFO Status Register	FECTFSR				
0x91AC	0x99AC	FEC Transmit FIFO Control Register	FECTFCR				
0x91B0	0x99B0	FEC Transmit FIFO Last Read Frame Pointer	FECTLRFP				
0x91B4	0x99B4	FEC Transmit FIFO Last Write Frame Pointer	FECTLWFP				
0x91B8	0x99B8	FEC Transmit FIFO Alarm Register	FECTFAR				
0x91BC	0x99BC	FEC Transmit FIFO Read Pointer Register	FECTFRP				
0x91C0	0x99C0	FEC Transmit FIFO Write Pointer Register	FECTFWP				
0x91C4	0x99C4	FIFO Reset Register	FECFRST				
0x91C8	0x99C8	CRC and Transmit Frame Control Word Register	FECCTCWR				

29.3.3 MIB Block Counters Memory Map

Table 29-6 defines the MIB Counters memory map which defines the locations in the MIB RAM space where hardware maintained counters reside. These fall in the 0x9200–0x93FF address offset range for FEC0 and the 0x9A00–0x9BFF address offset range for FEC1. The counters are divided into two groups.

RMON counters are included which cover the Ethernet statistics counters defined in RFC 1757. In addition to the counters defined in the Ethernet statistics group, a counter is included to count truncated frames as the FEC only supports frame lengths up to 2047 bytes. The RMON counters are implemented independently for transmit and receive to insure accurate network statistics when operating in full duplex mode.

IEEE counters are included which support the mandatory and recommended counter packages defined in Section 5 of ANSI/IEEE Std. 802.3 (1998 edition). The IEEE Basic Package objects are supported by the FEC but do not require counters in the MIB block. In addition, some of the recommended package objects

which are supported do not require MIB counters. Counters for transmit and receive full duplex flow control frames are included as well.

Table 29-6. MIB Counters Memory Map

MBAR Offset for FEC0	MBAR Offset for FEC1	Mnemonic	Description
0x9200	0x9A00	RMON_T_DROP	Count of frames not counted correctly
0x9204	0x9A04	RMON_T_PACKETS	RMON Tx packet count
0x9208	0x9A08	RMON_T_BC_PKT	RMON Tx Broadcast Packets
0x920C	0x9A0C	RMON_T_MC_PKT	RMON Tx Multicast Packets
0x9210	0x9A10	RMON_T_CRC_ALIGN	RMON Tx Packets w CRC/Align error
0x9214	0x9A14	RMON_T_UNDERSIZE	RMON Tx Packets < 64 bytes, good crc
0x9218	0x9A18	RMON_T_OVERSIZE	RMON Tx Packets > MAX_FL bytes, good crc
0x921C	0x9A1C	RMON_T_FRAG	RMON Tx Packets < 64 bytes, bad crc
0x9220	0x9A20	RMON_T_JAB	RMON Tx Packets > MAX_FL bytes, bad crc
0x9224	0x9A24	RMON_T_COL	RMON Tx collision count
0x9228	0x9A28	RMON_T_P64	RMON Tx 64 byte packets
0x922C	0x9A2C	RMON_T_P65TO127	RMON Tx 65 to 127 byte packets
0x9230	0x9A30	RMON_T_P128TO255	RMON Tx 128 to 255 byte packets
0x9234	0x9A34	RMON_T_P256TO511	RMON Tx 256 to 511 byte packets
0x9238	0x9A38	RMON_T_P512TO1023	RMON Tx 512 to 1023 byte packets
0x923C	0x9A3C	RMON_T_P1024TO2047	RMON Tx 1024 to 2047 byte packets
0x9240	0x9A40	RMON_T_P_GTE2048	RMON Tx packets w > 2048 bytes
0x9244	0x9A44	RMON_T_OCTETS	RMON Tx Octets
0x9248	0x9A48	IEEE_T_DROP	Count of frames not counted correctly
0x924C	0x9A4C	IEEE_T_FRAME_OK	Frames Transmitted OK
0x9250	0x9A50	IEEE_T_1COL	Frames Transmitted with Single Collision
0x9254	0x9A54	IEEE_T_MCOL	Frames Transmitted with Multiple Collisions
0x9258	0x9A58	IEEE_T_DEF	Frames Transmitted after Deferral Delay
0x925c	0x9A5c	IEEE_T_LCOL	Frames Transmitted with Late Collision
0x9260	0x9A60	IEEE_T_EXCOL	Frames Transmitted with Excessive Collisions
0x9264	0x9A64	IEEE_T_MACERR	Frames Transmitted with Tx FIFO Underrun
0x9268	0x9A68	IEEE_T_CSERR	Frames Transmitted with Carrier Sense Error
0x926C	0x9A6C	IEEE_T_SQE	Frames Transmitted with SQE Error
0x9270	0x9A70	IEEE_T_FDXFC	Flow Control Pause frames transmitted
0x9274	0x9A74	IEEE_T_OCTETS_OK	Octet count for Frames Transmitted w/o Error

Table 29-6. MIB Counters Memory Map (Continued)

MBAR Offset for FEC0	MBAR Offset for FEC1	Mnemonic	Description
0x9278–0x927C	0x9A78–0x9A7C		Reserved
0x9280	0x9A80	RMON_R_DROP	Count of frames not counted correctly
0x9284	0x9A84	RMON_R_PACKETS	RMON Rx packet count
0x9288	0x9A88	RMON_R_BC_PKT	RMON Rx Broadcast Packets
0x928C	0x9A8C	RMON_R_MC_PKT	RMON Rx Multicast Packets
0x9290	0x9A90	RMON_R_CRC_ALIGN	RMON Rx Packets w CRC/Align error
0x9294	0x9A94	RMON_R_UNDERSIZE	RMON Rx Packets < 64 bytes, good crc
0x9298	0x9A98	RMON_R_OVERSIZE	RMON Rx Packets > MAX_FL bytes, good crc
0x929C	0x9A9C	RMON_R_FRAG	RMON Rx Packets < 64 bytes, bad crc
0x92A0	0x9AA0	RMON_R_JAB	RMON Rx Packets > MAX_FL bytes, bad crc
0x92A4	0x9AA4	RMON_R_RESVD_0	
0x92A8	0x9AA8	RMON_R_P64	RMON Rx 64 byte packets
0x92AC	0x9AAC	RMON_R_P65TO127	RMON Rx 65 to 127 byte packets
0x92B0	0x9AB0	RMON_R_P128TO255	RMON Rx 128 to 255 byte packets
0x92B4	0x9AB4	RMON_R_P256TO511	RMON Rx 256 to 511 byte packets
0x92B8	0x9AB8	RMON_R_P512TO1023	RMON Rx 512 to 1023 byte packets
0x92BC	0x9ABC	RMON_R_P1024TO2047	RMON Rx 1024 to 2047 byte packets
0x92C0	0x9AC0	RMON_R_P_GTE2048	RMON Rx packets w > 2048 bytes
0x92C4	0x9AC4	RMON_R_OCTETS	RMON Rx Octets
0x92C8	0x9AC8	IEEE_R_DROP	Count of frames not counted correctly
0x92CC	0x9ACC	IEEE_R_FRAME_OK	Frames Received OK
0x92D0	0x9AD0	IEEE_R_CRC	Frames Received with CRC Error
0x92D4	0x9AD4	IEEE_R_ALIGN	Frames Received with Alignment Error
0x92D8	0x9AD8	IEEE_R_MACERR	Receive Fifo Overflow count
0x92DC	0x9ADC	IEEE_R_FDXFC	Flow Control Pause frames received
0x92E0	0x9AE0	IEEE_R_OCTETS_OK	Octet count for Frames Rcvd w/o Error

29.3.4 Register Descriptions

The following sections describe each register in detail.

29.3.4.1 Ethernet Interrupt Event Register (EIR)

When an event occurs that sets a bit in the EIR, an interrupt will be generated if the corresponding bit in the interrupt mask register (EIMR) is also set. The bit in the EIR is cleared if a one is written to that bit position; writing zero has no effect. This register is cleared upon hardware reset.

These interrupts can be divided into operational interrupts, transceiver/network error interrupts, and internal error interrupts. Interrupts which may occur in normal operation are GRA, TXF, and MII. Interrupts resulting from errors/problems detected in the network or transceiver are HBERR, BABR, BABT, LC, and RL. Interrupts resulting from internal errors are HBERR, XFUN, XFERR, and RFERR.

Some of the error interrupts are independently counted in the MIB block counters. Software may choose to mask off these interrupts because these errors will be visible to network management via the MIB counters.

- HBERR – IEEE_T_SQE
- BABR – RMON_R_OVERSIZE (good CRC), RMON_R_JAB (bad CRC)
- BABT – RMON_T_OVERSIZE (good CRC), RMON_T_JAB (bad CRC)
- LC – IEEE_T_LCOL
- RL – IEEE_T_EXCOL
- XFUN – IEEE_T_MACERR

	31	30	29	28	27	26	25	24	23	22	21	20	19	18	17	16
R	HBERR	BABR	BABT	GRA	TXF	0	0	0	MII	0	LC	RL	XFUN	XFERR	RFERR	0
W	w1c	w1c	w1c	w1c	w1c				w1c		w1c	w1c	w1c	w1c	w1c	
Reset	0	0	0	0	0	0	0	0	0	0	0	0	0	0	0	0
Reg Addr	MBAR + 0x9004 (FEC0), 0x9804 (FEC1)															
	15	14	13	12	11	10	9	8	7	6	5	4	3	2	1	0
R	0	0	0	0	0	0	0	0	0	0	0	0	0	0	0	0
W																
Reset	0	0	0	0	0	0	0	0	0	0	0	0	0	0	0	0
Reg Addr	MBAR + 0x9004 (FEC0), 0x9804 (FEC1)															

Figure 29-2. Ethernet Interrupt Event Register (EIR)

Table 29-7. EIR Descriptions

Bits	Name	Description
31	HBERR	Heartbeat error. This interrupt indicates that HBC is set in the TCR register and that the ECOL input was not asserted within the Heartbeat window following a transmission. This bit is cleared by writing a 1 to it.
30	BABR	Babbling receive error. This bit indicates a frame was received with length in excess of RCR[<i>MAX_FL</i>] bytes. This bit is cleared by writing a 1 to it.

Table 29-7. EIR Descriptions (Continued)

Bits	Name	Description
29	BABT	Babbling transmit error. This bit indicates that the transmitted frame length has exceeded RCR[MAX_FL] bytes. This condition is usually caused by a frame that is too long being placed into the transmit data buffers. Truncation does not occur. This bit is cleared by writing a 1 to it.
28	GRA	Graceful stop complete. This interrupt will be asserted for one of three reasons. Graceful stop means that the transmitter is put into a pause state after completion of the frame currently being transmitted. 1) A graceful stop, which was initiated by the setting of the TCR[GTS] bit is now complete. 2) A graceful stop, which was initiated by the setting of the TCR[TFC_PAUSE] bit is now complete. 3) A graceful stop, which was initiated by the reception of a valid full duplex flow control “pause” frame is now complete. Refer to Section 29.4.8, “Full Duplex Flow Control” . This bit is cleared by writing a 1 to it.
27	TXF	Transmit frame interrupt. This bit indicates that a frame has been transmitted. This bit is cleared by writing a 1 to it.
26–24	—	Reserved, should be cleared.
23	MII	MII interrupt. This bit indicates that the MII has completed the data transfer requested. This bit is cleared by writing a 1 to it.
22	—	Reserved, should be cleared.
21	LC	Late collision. This bit indicates that a collision occurred beyond the collision window (slot time) in half duplex mode. The frame is truncated with a bad CRC and the remainder of the frame is discarded. This bit is cleared by writing a 1 to it.
20	RL	Collision retry limit. This bit indicates that a collision occurred on each of 16 successive attempts to transmit the frame. The frame is discarded without being transmitted and transmission of the next frame will commence. Can only occur in half duplex mode. This bit is cleared by writing a 1 to it.
19	XFUN	Transmit FIFO underrun. This bit indicates that the transmit FIFO became empty before the complete frame was transmitted. A bad CRC is appended to the frame fragment and the remainder of the frame is discarded. This bit is cleared by writing a 1 to it.
18	XFERR	Transmit FIFO error. This bit indicates that an error has occurred within the transmit FIFO. When the XFERR bit is set, ECR[ETHER_EN] will be cleared, halting frame processing by the FEC. When this occurs, software will need to generate a software reset of the FIFO controller. This bit is cleared by writing a 1 to it.
17	RFERR	Receive FIFO error. This bit indicates that an error has occurred within the receive FIFO. When the RFERR bit is set, ECR[ETHER_EN] will be cleared, halting frame processing by the FEC. When this occurs, software will need to generate a software reset of the FIFO controller. This bit is cleared by writing a 1 to it.
16–0	—	Reserved, should be cleared.

29.3.4.2 Interrupt Mask Register (EIMR)

The EIMR controls which possible interrupt events are allowed to generate actual interrupts. All implemented bits in this CSR are read/write. This register is cleared upon a hardware reset. If the corresponding bits in both the EIR and EIMR registers are set, the interrupt will be signalled to the on chip

interrupt controller. The interrupt signal will remain asserted until a 1 is written to the EIR bit (write 1 to clear) or a 0 is written to the EIMR bit.

	31	30	29	28	27	26	25	24	23	22	21	20	19	18	17	16
R	HBERR	BABR	BABT	GRA	TXF	0	0	0	MII	0	LC	RL	XFUN	XFERR	RFERR	0
W																
Reset	0	0	0	0	0	0	0	0	0	0	0	0	0	0	0	0
Reg Addr	MBAR + 0x9008 (FEC0), 0x9808 (FEC1)															
	15	14	13	12	11	10	9	8	7	6	5	4	3	2	1	0
R	0	0	0	0	0	0	0	0	0	0	0	0	0	0	0	0
W																
Reset	0	0	0	0	0	0	0	0	0	0	0	0	0	0	0	0
Reg Addr	MBAR + 0x9008 (FEC0), 0x9808 (FEC1)															

Figure 29-3. Ethernet Interrupt Mask Register (EIMR)

Table 29-8. EIMR Field Descriptions

Bits	Name	Description
31–27, 23, 21–17	See Figure 29-3 and Table 29-5 .	Interrupt mask. Each bit corresponds to an interrupt source defined by the EIR register. The corresponding EIMR bit determines whether an interrupt condition can generate an interrupt. At every processor clock, the EIR samples the signal generated by the interrupting source. The corresponding EIR bit reflects the state of the interrupt signal even if the corresponding EIMR bit is set. 0 The corresponding interrupt source is masked. 1 The corresponding interrupt source is not masked.
26–24, 22, 16–0	—	Reserved, should be cleared.

29.3.4.3 Ethernet Control Register (ECR)

ECR is a read/write user register, though both fields in this register may be altered by hardware as well. The ECR is used to enable/disable the FEC.

	31	30	29	28	27	26	25	24	23	22	21	20	19	18	17	16
R	0	0	0	0	0	0	0	0	0	0	0	0	0	0	0	0
W																
Reset	1	1	1	1	0	0	0	0	0	0	0	0	0	0	0	0
Reg Addr	MBAR + 0x9024 (FEC0), 0x9824 (FEC1)															

	15	14	13	12	11	10	9	8	7	6	5	4	3	2	1	0
R	0	0	0	0	0	0	0	0	0	0	0	0	0	0	ETHER_EN	RESET
W																
Reset	0	0	0	0	0	0	0	0	0	0	0	0	0	0	0	0
Reg Addr	MBAR + 0x9024 (FEC0), 0x9824 (FEC1)															

Figure 29-4. Ethernet Control Register (ECR)

Table 29-9. ECR Field Descriptions

Bits	Name	Description
31–2	—	Reserved, should be cleared.
1	ETHER_EN	When this bit is set, the FEC is enabled, and reception and transmission are possible. When this bit is cleared, reception is immediately stopped and transmission is stopped after a bad CRC is appended to any currently transmitted frame. The ETHER_EN bit is altered by hardware under the following conditions: <ul style="list-style-type: none"> • ECR[RESET] is set by software, in which case ETHER_EN will be cleared • An error condition causes the EIR[XFERR], or EIR[RFERR] bits to set, in which case ETHER_EN will be cleared
0	RESET	When this bit is set, the equivalent of a hardware reset is performed but it is local to the FEC. ETHER_EN is cleared and all other FEC registers take their reset values. Also, any transmission/reception currently in progress is abruptly aborted. This bit is automatically cleared by hardware during the reset sequence. The reset sequence takes approximately 8 system clock cycles after RESET is written with a 1.

29.3.4.4 MII Management Frame Register (MMFR)

The MMFR is accessed by the user and does not reset to a defined value. The MMFR register is used to communicate with the attached MII compatible PHY devices, providing read/write access to their MII registers. Performing a write to the MMFR will cause a management frame to be sourced unless the MSCR has been programmed to 0. In the case of writing to MMFR when MSCR = 0, if the MSCR register is then written to a non-zero value, an MII frame will be generated with the data previously written to the MMFR. This allows MMFR and MSCR to be programmed in either order if MSCR is currently zero.

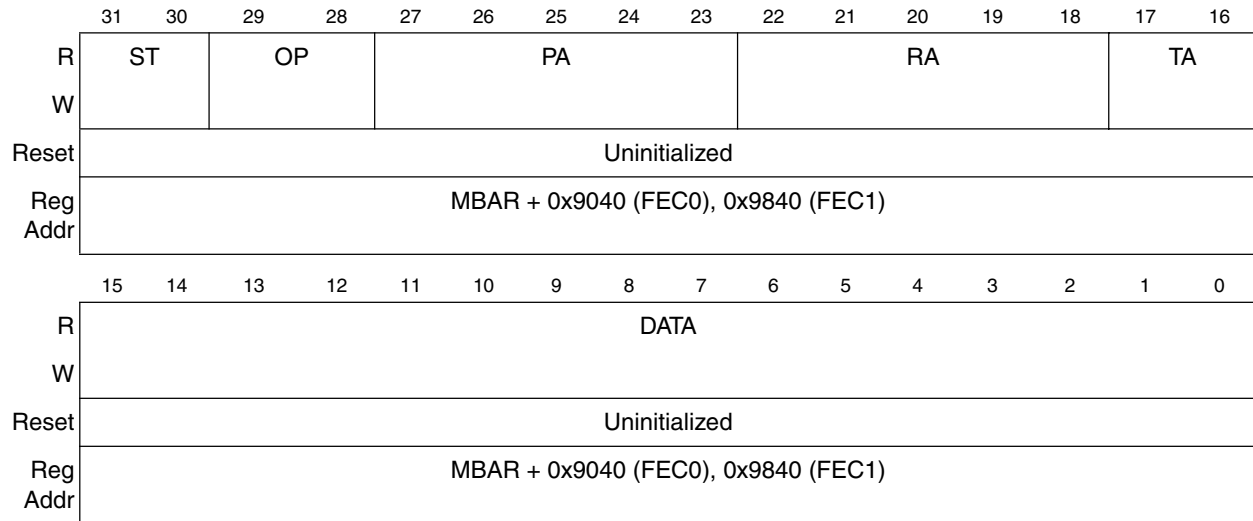


Figure 29-5. MII Management Frame Register (MMFR)

Table 29-10. MMFR Field Descriptions

Bit	Name	Description
31–30	ST	Start of frame delimiter. These bits must be programmed to 0x01 for a valid MII management frame.
29–28	OP	Operation code. This field must be programmed to 0x10 (read) or 0x01 (write) to generate a valid MII management frame. A value of 0x11 will produce “read” frame operation while a value of 0x00 will produce “write” frame operation, but these frames will not be MII compliant.
27–23	PA	PHY address. This field specifies one of up to 32 attached PHY devices.
22–18	RA	Register address. This field specifies one of up to 32 registers within the specified PHY device.
17–16	TA	Turn around. This field must be programmed to 0x10 to generate a valid MII management frame.
15–0	DATA	Management frame data. This is the field for data to be written to or read from the PHY register.

To perform a read or write operation on the MII Management Interface, the MMFR register must be written by the user. To generate a valid read or write management frame, the ST field must be written with a 01 pattern, and the TA field must be written with a 10. If other patterns are written to these fields, a frame will be generated but will not comply with the IEEE 802.3 MII definition.

If the MMFR is written while frame generation is in progress, the frame contents will be altered. Software should use the MII interrupt to avoid writing to the MMFR register while frame generation is in progress.

29.3.4.4.1 Generating a Write Frame

To generate an IEEE 802.3-compliant MII Management Interface write frame (write to a PHY register), the user must write {01 01 PHYAD REGAD 10 DATA} to the MMFR register. Writing this pattern will cause the control logic to shift out the data in the MMFR register following a preamble generated by the control state machine. During this time the contents of the MMFR register will be altered as the contents

are serially shifted and will be unpredictable if read by the user. Once the write management frame operation has completed, the MII interrupt will be generated. At this time the contents of the MMFR register will match the original value written.

29.3.4.4.2 Generating a Read Frame

To generate an MII Management Interface read frame (read a PHY register) the user must write {01 10 PHYAD REGAD 10 XXXX} to the MMFR register (the content of the DATA field is a don't care). Writing this pattern will cause the control logic to shift out the data in the MMFR register following a preamble generated by the control state machine. During this time the contents of the MMFR register will be altered as the contents are serially shifted, and will be unpredictable if read by the user. Once the read management frame operation has completed, the MII interrupt will be generated. At this time the contents of the MMFR register will match the original value written except for the DATA field whose contents have been replaced by the value read from the PHY register.

29.3.4.5 MII Speed Control Register (MSCR)

The MSCR provides control of the MII clock (EMDC signal) frequency and allows dropping the preamble on the MII management frame.

	31	30	29	28	27	26	25	24	23	22	21	20	19	18	17	16
R	0	0	0	0	0	0	0	0	0	0	0	0	0	0	0	0
W																
Reset	0	0	0	0	0	0	0	0	0	0	0	0	0	0	0	0
Reg Addr	MBAR + 0x9044 (FEC0), 0x9844 (FEC1)															
	15	14	13	12	11	10	9	8	7	6	5	4	3	2	1	0
R	0	0	0	0	0	0	0	0	DIS_PRE AMBLE	MII_SPEED						0
W																
Reset	0	0	0	0	0	0	0	0	0	0	0	0	0	0	0	0
Reg Addr	MBAR + 0x9044 (FEC0), 0x9844 (FEC1)															

Figure 29-6. MII Speed Control Register (MSCR)

Table 29-11. MSCR Field Descriptions

Bits	Name	Description
31–8	—	Reserved, should be cleared.
7	DIS_PRE AMBLE	Asserting this bit will cause preamble (32 1's) not to be prepended to the MII management frame. The MII standard allows the preamble to be dropped if the attached PHY devices do not require it.
6–1	MII_SPEED	MII_SPEED controls the frequency of the MII management interface clock (EMDC) relative to the system clock (which for the FEC module is the IP bus). A value of 0 in this field will “turn off” the EMDC and leave it in low voltage state. Any non-zero value will result in the EMDC frequency of 1/(MII_SPEED*2) of the system clock frequency.
0	—	Reserved, should be cleared.

The MII_SPEED field must be programmed with a value to provide an EMDC frequency of less than or equal to 2.5 MHz to be compliant with the IEEE 802.3 MII specification. The MII_SPEED must be set to a non-zero value in order to source a read or write management frame. After the management frame is complete the MSCR register may optionally be set to zero to turn off the EMDC. The EMDC generated will have a 50% duty cycle except when MII_SPEED is changed during operation (change will take effect following either a rising or falling edge of EMDC).

If the system clock is 66 MHz, programming the MII_SPEED field to 0x5 will result in an EMDC frequency of $66 \text{ MHz} \times 1/26 = 2.5 \text{ MHz}$. A table showing optimum values for MII_SPEED as a function of system clock frequency is provided below.

Table 29-12. Programming Examples for MSCR

Clock Frequency	MII_SPEED (field in reg)	EMDC frequency
60 MHz	0xC	2.5 MHz
66 MHz	0xD	2.5 MHz
120 MHz	0x18	2.5 MHz
133 MHz	0x1A	2.5 MHz

29.3.4.6 MIB Control Register (MIBC)

The MIBC is a read/write register used to provide control of and to observe the state of the MIB block. This register is accessed by user software if there is a need to disable the MIB block operation. For example, in order to clear all MIB counters in RAM the user should disable the MIB block, then clear all the MIB RAM locations, then enable the MIB block. The MIB_DISABLE bit is reset to 1. See [Table 29-6](#) for the locations of the MIB counters.

	31	30	29	28	27	26	25	24	23	22	21	20	19	18	17	16
R	MIB_DISABLE	MIB_IDLE	0	0	0	0	0	0	0	0	0	0	0	0	0	0
W																
Reset	1	1	0	0	0	0	0	0	0	0	0	0	0	0	0	0
Reg Addr	MBAR + 0x9064 (FEC0), 0x9864 (FEC1)															
	15	14	13	12	11	10	9	8	7	6	5	4	3	2	1	0
R	0	0	0	0	0	0	0	0	0	0	0	0	0	0	0	0
W																
Reset	0	0	0	0	0	0	0	0	0	0	0	0	0	0	0	0
Reg Addr	MBAR + 0x9064 (FEC0), 0x9864 (FEC1)															

Figure 29-7. MIB Control Register (MIBC)

Table 29-13. MIBC Field Descriptions

Bits	Name	Description
31	MIB_DISABLE	A read/write control bit. If set, the MIB logic will halt and not update any MIB counters.
30	MIB_IDLE	A read-only status bit. If set, the MIB block is not currently updating any MIB counters.
29–0	—	Reserved, should be cleared.

29.3.4.7 Receive Control Register (RCR)

The RCR is programmed by the user. The RCR controls the operational mode of the receive block and should be written only when ECR[ETHER_EN] = 0 (initialization time).

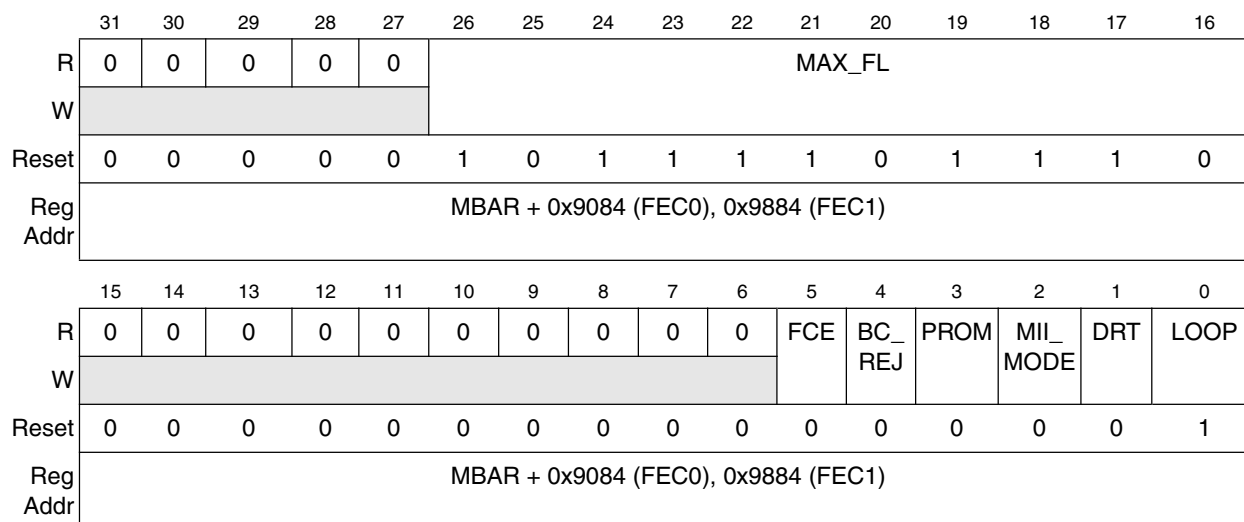


Figure 29-8. Receive Control Register (RCR)

Table 29-14. RCR Field Descriptions

Bits	Name	Description
31–27	—	Reserved, should be cleared.
26–16	MAX_FL	Maximum frame length. Resets to decimal 1518. Length is measured starting at DA and includes the CRC at the end of the frame. Transmit frames longer than MAX_FL will cause the BABT interrupt to occur. Receive frames longer than MAX_FL will cause the BABR interrupt to occur. The recommended default value to be programmed by the user is 1518 or 1522 (if VLAN Tags are supported).
15–6	—	Reserved, should be cleared.
5	FCE	Flow control enable. If asserted, the receiver will detect PAUSE frames. Upon PAUSE frame detection, the transmitter will stop transmitting data frames for a given duration.
4	BC_REJ	Broadcast frame reject. If asserted, frames with DA (destination address) = FF_FF_FF_FF_FF_FF will be rejected unless the PROM bit is set. If both BC_REJ and PROM = 1, then frames with broadcast DA will be accepted.
3	PROM	Promiscuous mode. All frames are accepted regardless of address matching.

Table 29-14. RCR Field Descriptions (Continued)

Bits	Name	Description
2	MII_MODE	Media independent interface mode. Selects external interface mode. Setting this bit to one selects MII mode, setting this bit equal to zero selects 7-wire mode (used only for serial 10 Mbps). This bit controls the interface mode for both transmit and receive blocks.
1	DRT	Disable receive on transmit. 0 Receive path operates independently of transmit (use for full duplex or to monitor transmit activity in half duplex mode). 1 Disable reception of frames while transmitting (normally used for half duplex mode).
0	LOOP	Internal loopback. If set, transmitted frames are looped back internal to the device and the transmit output signals are not asserted. The system clock is substituted for the ETXCLK when LOOP is asserted. DRT must be set to zero when asserting LOOP.

29.3.4.8 Receive Hash Register (RHR)

This read only register provides address recognition information from the receive block about the frame currently being received.

	31	30	29	28	27	26	25	24	23	22	21	20	19	18	17	16	
R	FCE	MULTICAST	HASH						0	0	0	0	0	0	0	0	0
W	—																
Reset	Uninitialized								0	0	0	0	0	0	0	0	
Reg Addr	MBAR + 0x9088 (FEC0), 0x9888 (FEC1)																
	15	14	13	12	11	10	9	8	7	6	5	4	3	2	1	0	
R	0	0	0	0	0	0	0	0	0	0	0	0	0	0	0	0	
W	—																
Reset	0	0	0	0	0	0	0	0	0	0	0	0	0	0	0	0	
Reg Addr	MBAR + 0x9088 (FEC0), 0x9888 (FEC1)																

Figure 29-9. Receive Hash Register (RHR)

Table 29-15. RHR Bits Description

Bits	Name	Description
31	FCE	This is a read only view of the flow control enable (FCE) bit in the RCR.
30	MULTICAST	Set if the current receive frame contained a multi-cast destination address (the least significant bit of the DA was set). Cleared if the current receive frame does not correspond to a multi-cast address.
29–24	HASH	Corresponds to the “hash” value of the current receive frame’s destination address.
23–0	—	Reserved, should be cleared.

29.3.4.9 Transmit Control Register (TCR)

The TCR is read/write and is written by the user to configure the transmit block. This register is cleared at system reset. Bits 2 and 1 should be modified only when ECR[ETHER_EN] is cleared.

	31	30	29	28	27	26	25	24	23	22	21	20	19	18	17	16
R	0	0	0	0	0	0	0	0	0	0	0	0	0	0	0	0
W																
Reset	0	0	0	0	0	0	0	0	0	0	0	0	0	0	0	0
Reg Addr	MBAR + 0x90C4 (FEC0), 0x98C4 (FEC1)															
	15	14	13	12	11	10	9	8	7	6	5	4	3	2	1	0
R	0	0	0	0	0	0	0	0	0	0	0	RFC_PAUSE	TFC_PAUSE	FDEN	HBC	GTS
W																
Reset	0	0	0	0	0	0	0	0	0	0	0	0	0	0	0	0
Reg Addr	MBAR + 0x90C4 (FEC0), 0x98C4 (FEC1)															

Figure 29-10. Transmit Control Register (TCR)

Table 29-16. TCR Field Descriptions

Bits	Name	Description
31–5	—	Reserved, should be cleared.
4	RFC_PAUSE	Receive frame control pause. This read-only status bit will be set when a full duplex flow control pause frame has been received and the transmitter is paused for the duration defined in this pause frame. This bit will automatically clear when the pause duration is complete.
3	TFC_PAUSE	Transmit frame control pause. Transmits a PAUSE frame when set. When this bit is set, the MAC will stop transmission of data frames after the current transmission is complete. At this time, the GRA interrupt in the EIR register will be asserted. With transmission of data frames stopped, the MAC will transmit a MAC Control PAUSE frame. Next, the MAC will clear the TFC_PAUSE bit and resume transmitting data frames. Note that if the transmitter is paused due to user assertion of GTS or reception of a PAUSE frame, the MAC may still transmit a MAC Control PAUSE frame.
2	FDEN	Full duplex enable. If set, frames are transmitted independent of carrier sense and collision inputs. This bit should only be modified when ETHER_EN is deasserted.

Table 29-16. TCR Field Descriptions (Continued)

Bits	Name	Description
1	HBC	Heartbeat control. If set, the heartbeat check is performed following end of transmission and the HBERR bit in the EIR will be set if the collision input does not assert within the heartbeat window. This bit should only be modified when ETHER_EN is deasserted.
0	GTS	Graceful transmit stop. When this bit is set, the MAC will stop transmission after any frame that is currently being transmitted is complete and the GRA interrupt in the EIR register will be asserted. If frame transmission is not currently underway, the GRA interrupt will be asserted immediately. Once transmission has completed, a “restart” can be accomplished by clearing the GTS bit. The next frame in the transmit FIFO will then be transmitted. If an early collision occurs during transmission when GTS = 1, transmission will stop after the collision. The frame will be transmitted again once GTS is cleared. Note that there may be old frames in the transmit FIFO that will be transmitted when GTS is reasserted. To avoid this, deassert ECR[ETHER_EN] following the GRA interrupt.

29.3.4.10 Physical Address Low Register (PALR)

The PALR is written by the user. This register contains the lower 32 bits (bytes 0,1,2,3) of the 48-bit address used in the address recognition process to compare with the DA (Destination Address) field of receive frames with an individual DA. In addition, this register is used in bytes 0 through 3 of the 6-byte source address field when transmitting PAUSE frames. This register is not reset and must be initialized by the user.

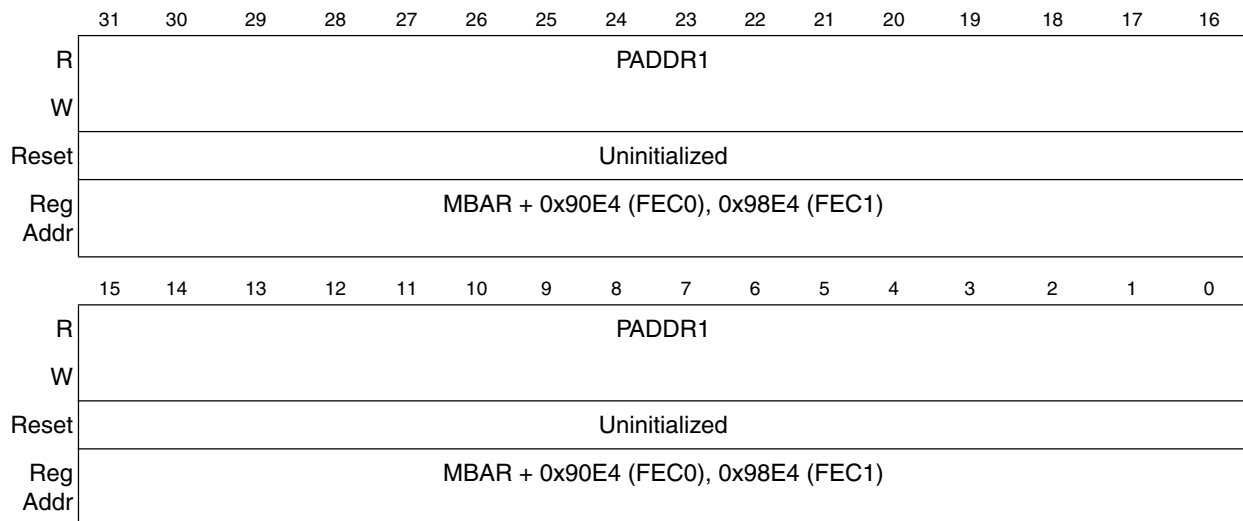


Figure 29-11. Physical Address Low Register (PALR)

Table 29-17. PALR Field Descriptions

Bits	Name	Description
31–0	PADDR1	Bytes 0 (bits 31:24), 1 (bits 23:16), 2 (bits 15:8) and 3 (bits 7:0) of the 6-byte individual address to be used for exact match, and the Source Address field in PAUSE frames.

29.3.4.11 Physical Address High Register (PAHR)

The PAHR is written by the user. This register contains the upper 16 bits (bytes 4 and 5) of the 48-bit address used in the address recognition process to compare with the DA (destination address) field of receive frames with an individual DA. In addition, this register is used in bytes 4 and 5 of the 6-byte Source Address field when transmitting PAUSE frames. Bits 15:0 of PAHR contain a constant type field (0x8808) used for transmission of PAUSE frames. This register is not reset and bits 31:16 must be initialized by the user.

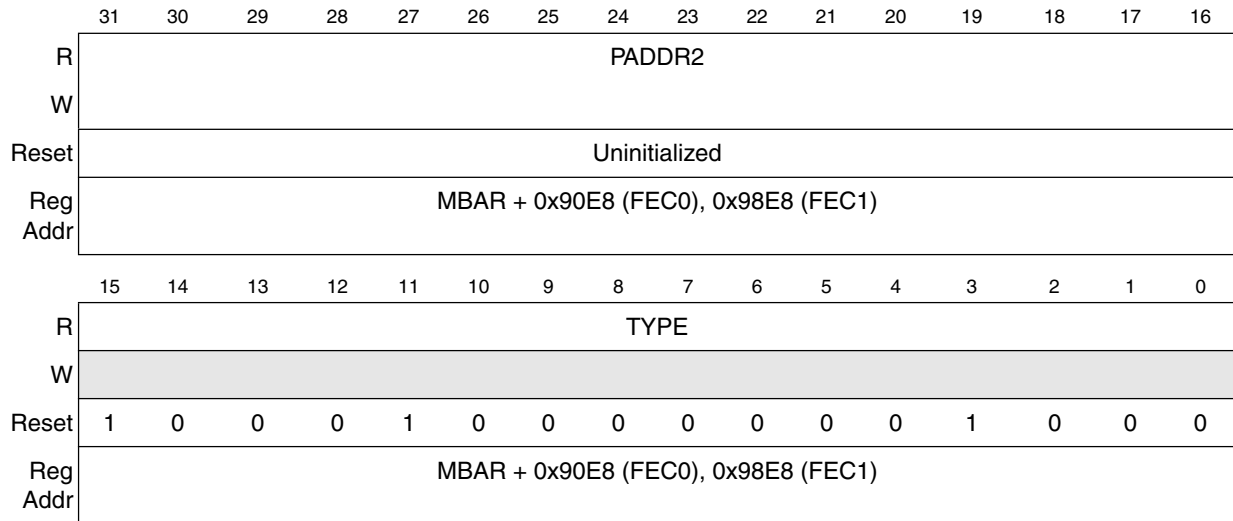


Figure 29-12. Physical Address High Register (PAHR)

Table 29-18. PAHR Field Descriptions

Bits	Name	Description
31–16	PADDR2	Bytes 4 (bits 31:24) and 5 (bits 23:16) of the 6-byte individual address to be used for exact match, and the Source Address field in PAUSE frames.
15–0	TYPE	Type field in PAUSE frames. These 16-bits are a constant value of 0x8808.

29.3.4.12 Opcode/Pause Duration Register (OPD)

The OPD is read/write accessible. This register contains the 16-bit opcode and 16-bit pause duration fields used in transmission of a PAUSE frame. The OPCODE field is a constant value, 0x0001. When another node detects a PAUSE frame, that node will pause transmission for the duration specified in the pause duration field. This register is not reset and must be initialized by the user.

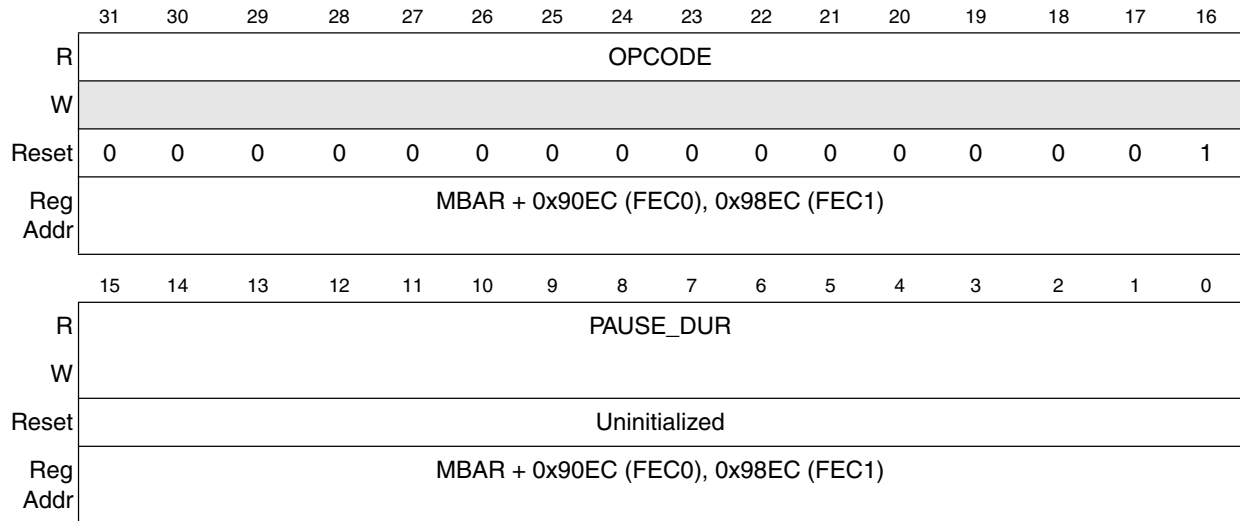


Figure 29-13. Opcode/Pause Duration Register (OPD)

Table 29-19. OPD Field Descriptions

Bits	Name	Description
31–16	OPCODE	Opcode field used in PAUSE frames. These bits are a constant: 0x0001.
15–0	PAUSE_DUR	Pause Duration field used in PAUSE frames.

29.3.4.13 Individual Address Upper Register (IAUR)

The IAUR is written by the user. This register contains the upper 32 bits of the 64-bit individual address hash table used in the address recognition process to check for possible match with the destination address (DA) field of receive frames with an individual DA. This register is not reset and must be initialized by the user.

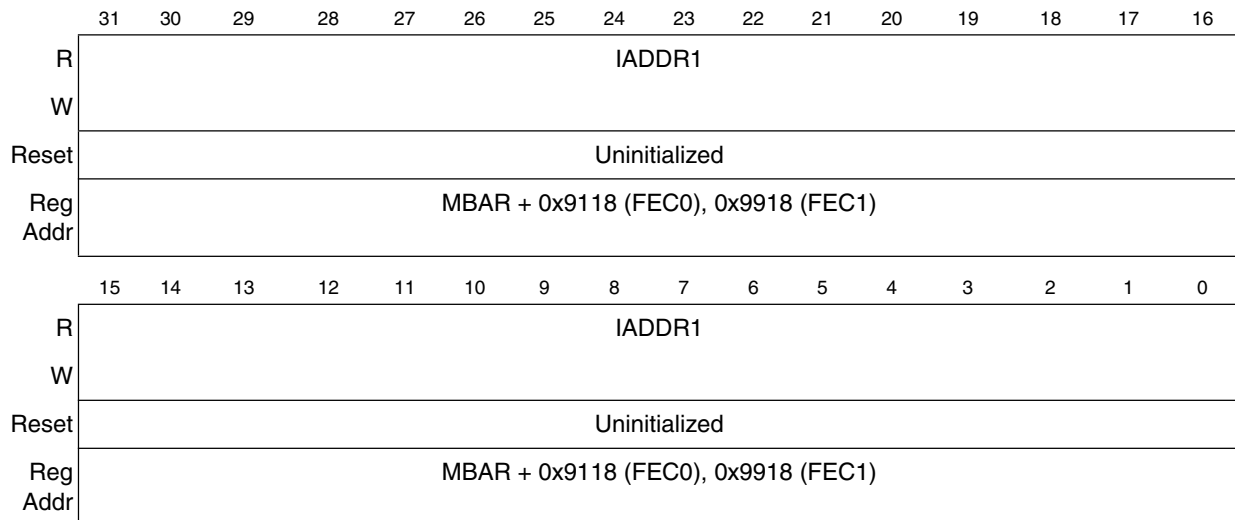


Figure 29-14. Individual Address Upper Register (IAUR)

Table 29-20. IAUR Field Descriptions

Bits	Name	Descriptions
31–0	IADDR1	Individual Address Upper - The upper 32 bits of the 64-bit hash table used in the address recognition process for receive frames with a unicast address. Bit 31 of IADDR1 contains hash index bit 63. Bit 0 of IADDR1 contains hash index bit 32.

29.3.4.14 Individual Address Lower Register (IALR)

The IALR register is written by the user. This register contains the lower 32 bits of the 64-bit individual address hash table used in the address recognition process to check for possible match with the destination address (DA) field of receive frames with an individual DA. This register is not reset and must be initialized by the user.

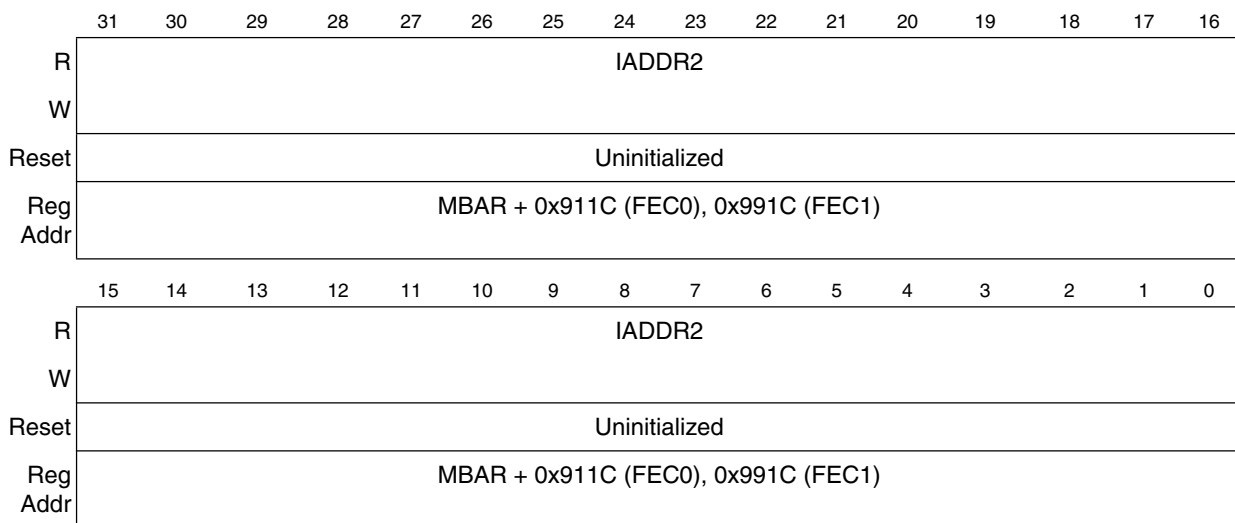


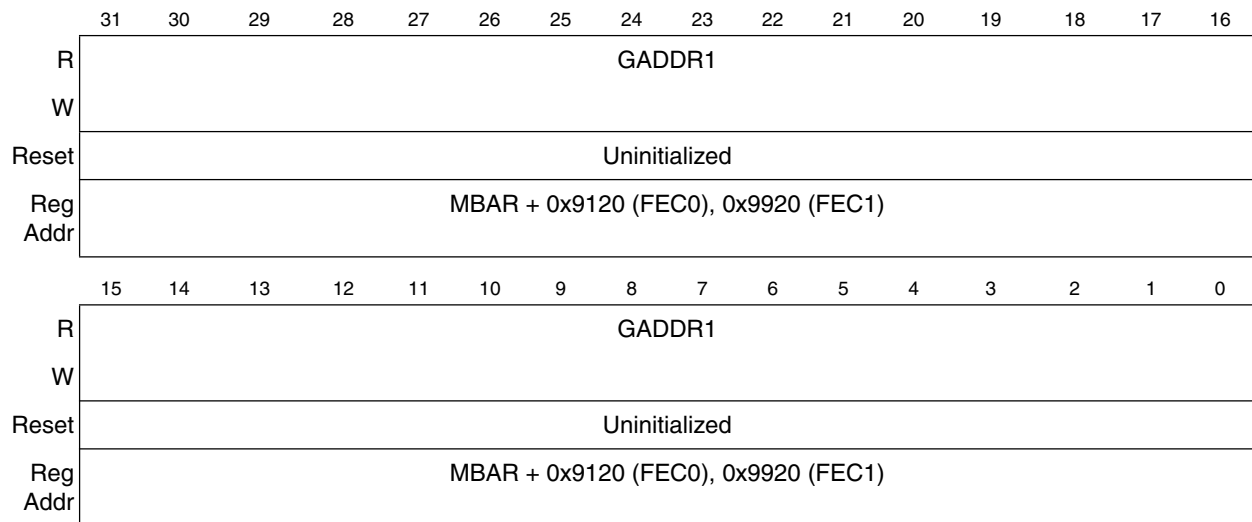
Figure 29-15. Individual Address Lower Register (IALR)

Table 29-21. IALR Field Descriptions

Bits	Name	Description
31–0	IADDR2	Individual Address Lower - The lower 32 bits of the 64-bit hash table used in the address recognition process for receive frames with a unicast address. Bit 31 of IADDR2 contains hash index bit 31. Bit 0 of IADDR2 contains hash index bit 0.

29.3.4.15 Group Address Upper Register (GAUR)

The GAUR is written by the user. This register contains the upper 32 bits of the 64-bit hash table used in the address recognition process for receive frames with a multicast address. This register must be initialized by the user.

**Figure 29-16. Group Address Upper Register (GAUR)****Table 29-22. GAUR Field Descriptions**

Bits	Name	Description
31–0	GADDR1	Group Address Upper - GADDR1 contains the upper 32 bits of the 64-bit hash table used in the address recognition process for receive frames with a multicast address. Bit 31 of GADDR1 contains hash index bit 63. Bit 0 of GADDR1 contains hash index bit 32.

29.3.4.16 Group Address Lower Register (GALR)

The GALR register is written by the user. This register contains the lower 32 bits of the 64-bit hash table used in the address recognition process for receive frames with a multicast address. This register must be initialized by the user.

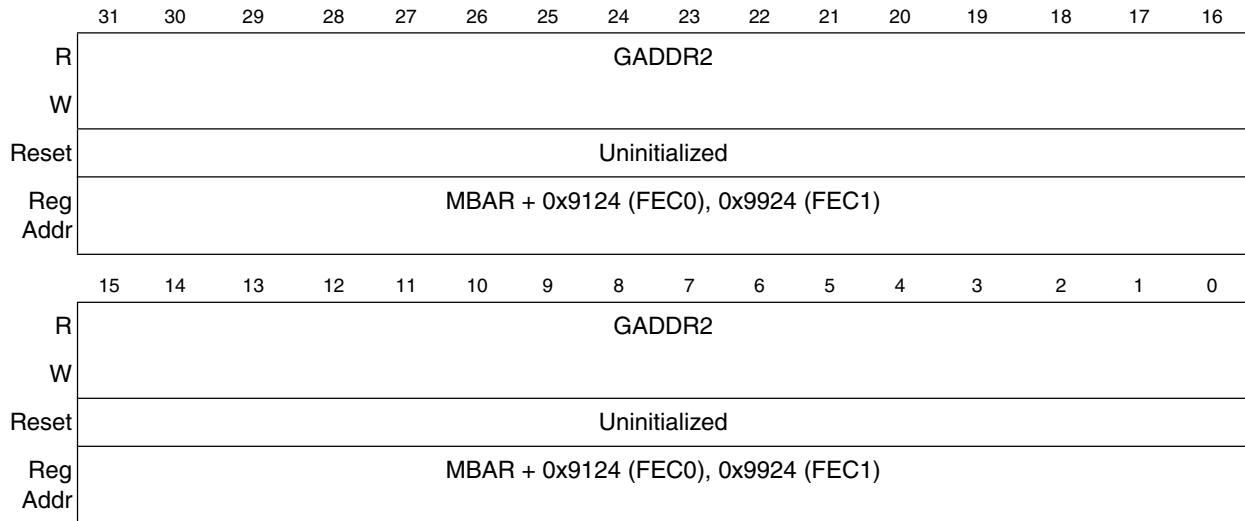


Figure 29-17. Group Address Lower Register (GALR)

Table 29-23. GALR Field Descriptions

Bits	Name	Description
31–0	GADDR2	Group Address Lower - The GADDR2 register contains the lower 32 bits of the 64-bit hash table used in the address recognition process for receive frames with a multicast address. Bit 31 of GADDR2 contains hash index bit 31. Bit 0 of GADDR2 contains hash index bit 0.

29.3.4.17 FEC Transmit FIFO Watermark Register (FECTFWR)

The FECTFWR is a 32-bit read/write register programmed by the user to control the amount of data required in the transmit FIFO before transmission of a frame can begin. This allows the user to minimize transmit latency or allow for larger bus access latency due to contention for the system bus. Setting the watermark to a high value will minimize the risk of transmit FIFO underrun due to contention for the system bus. The byte counts associated with the X_WMRK field may need to be modified to match a given system requirement (worst case bus access latency by the transmit data DMA channel). This register should be programmed so that the selected number of bytes is less than or equal to the number of bytes indicated in the transmit FIFO alarm register, FECTFAR.

Both the transmit and receive FIFOs are 1024 bytes deep.

	31	30	29	28	27	26	25	24	23	22	21	20	19	18	17	16
R	0	0	0	0	0	0	0	0	0	0	0	0	0	0	0	0
W																
Reset	0	0	0	0	0	0	0	0	0	0	0	0	0	0	0	0
Reg Addr	MBAR + 0x9144 (FEC0), 0x9944 (FEC1)															
	15	14	13	12	11	10	9	8	7	6	5	4	3	2	1	0
R	0	0	0	0	0	0	0	0	0	0	0	0	X_WMRK			
W																
Reset	0	0	0	0	0	0	0	0	0	0	0	0	0	0	0	0
Reg Addr	MBAR + 0x9144 (FEC0), 0x9944 (FEC1)															

Figure 29-18. FEC Transmit FIFO Watermark Register (FECTFWR)

Table 29-24. FECTFWR Field Descriptions

Bits	Name	Descriptions
31–4	—	Reserved, should be cleared.
3–0	X_WMRK	Transmit FIFO watermark. Frame transmission will begin when the number of bytes selected by this field have been written into the transmit FIFO or if an end of frame has been written to the FIFO or if the FIFO is full before the selected number of bytes have been written. Number of bytes written = 64 (X_WMRK + 1)

29.3.4.18 FEC Receive FIFO Data Register (FECRFDR)

This is the main interface port for the FIFO. Data that is to be buffered in the FIFO or that has been buffered in the FIFO is accessed through this register. It can be accessed by byte, word, or longword. It is recommended to align all accesses to the most significant byte (big endian) of the data port, using the address of FECRFDR for byte, word, and longword transactions. However, accessing the data port at FECRFDR+ 1, + 2, or + 3 for bytes, or FECRFDR+ 2 for words is also acceptable.

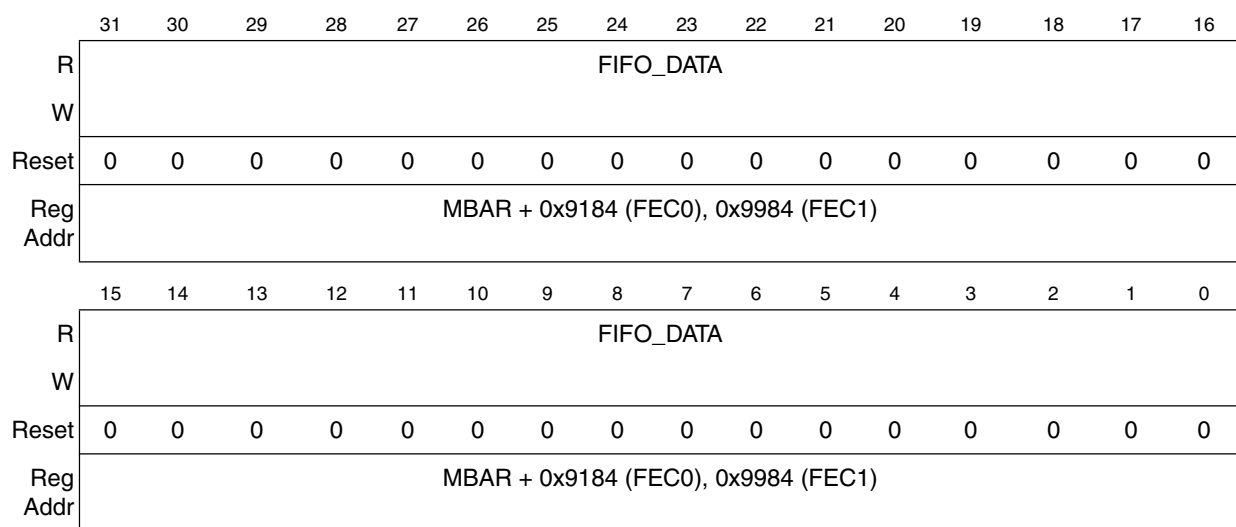


Figure 29-19. FEC Receive FIFO Data Register (FECRFDR)

Table 29-25. FECRFDR Field Descriptions

Bits	Name	Descriptions
31–0	FIFO_DATA	Receive FIFO data. Reading this register will extract received data from the FIFO.

29.3.4.19 FEC Receive FIFO Status Register (FECRFSR)

The FIFO receive status register contains bits that provide information about the status of the FIFO controller. Some of the bits of this register are used to generate DMA requests.

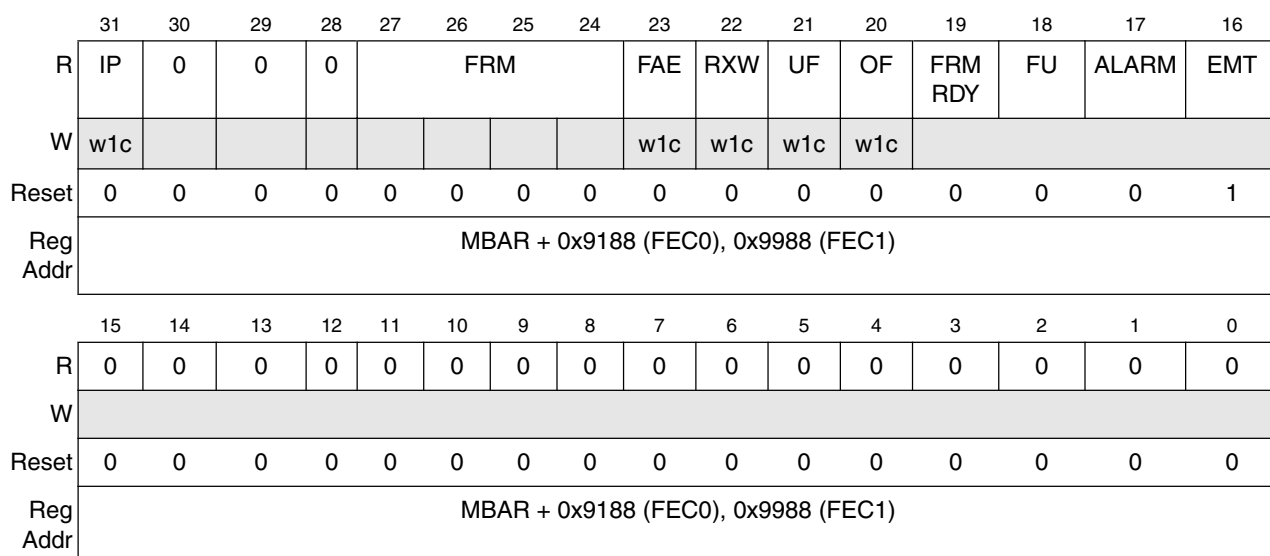


Figure 29-20. FEC Receive FIFO Status Register (FECRFSR)

Table 29-26. FECRFSR Field Descriptions

Bits	Name	Descriptions
31	IP	<p>Illegal pointer. This bit signifies an illegal pointer condition in the FIFO controller. For example, if a value larger than the FIFO controller's range is written to a Read, Write, Last Read, or Last Write Pointer, the IP bit will assert. If not masked, a one in this bit will cause a RFERR in the EIR. This bit will remain set until a 1 is written to this bit location.</p> <p>0 No illegal pointer condition. 1 An address outside the FIFO controller's memory range has been written to one of the user-visible pointers.</p> <p>This bit should always be 0 on the FEC since the receive FIFO size is fixed.</p>
30-28	—	Reserved, should be cleared.
27–24	FRM	<p>Frame indicator. This read-only field provides a frame status indicator for non-DMA applications.</p> <p>1000 A frame boundary has occurred on the [31:24] byte of the data bus 0100 A frame boundary has occurred on the [23:16] byte of the data bus 0010 A frame boundary has occurred on the [15:8] byte of the data bus 0001 A frame boundary has occurred on the [7:0] byte of the data bus</p>
23	FAE	<p>Frame accept error. This bit indicates a frame accept error in the FIFO controller and will set if data is read from a receive FIFO for a frame that has subsequently been rejected. If not masked, a one in this bit will cause a RFERR in the EIR. This bit will remain set until a one is written to this bit location. This bit is inactive when the FIFO is not programmed for frame mode.</p> <p>0 No frame accept error. 1 Frame accept error. Writing a one clears this bit.</p>
22	RXW	<p>Receive wait condition. This bit indicates that the FEC internal bus connected to the FIFO is incurring wait states because there is not enough room in the FIFO to accept the data without causing overflow. If not masked, a one in this bit will cause a RFERR in the EIR. This bit will remain set until a 1 is written to this bit location.</p> <p>0 No wait condition. 1 When the FIFO is full and the FEC received more data. Writing a one to this bit clears this bit.</p>
21	UF	<p>FIFO underflow. This bit signifies the read pointer has surpassed the write pointer. If not masked, a one in this bit will cause a RFERR in the EIR. This bit will remain set until a 1 is written to this bit location.</p> <p>0 No FIFO underflow. 1 Signifies an underflow condition in the FIFO.</p>
20	OF	<p>FIFO Overflow. This bit signifies the write pointer has surpassed the read pointer. If not masked, the assertion of this bit will cause a RFERR in the EIR. This bit will remain set until a 1 is written to this bit location.</p> <p>0 No FIFO overflow. 1 Signifies an overflow condition in the FIFO.</p> <p>The FEC cannot overflow the FIFO because wait states will be inserted instead.</p>
19	FRMRDY	<p>Frame ready. This read only bit indicates that there is framed data ready. All complete frames must be read from the FIFO to clear this bit. This bit will only be set while in frame mode.</p>
18	FU	<p>Full. This read only bit indicates that the FIFO is full. The FIFO must be read to clear this bit.</p>

Table 29-26. FECRFSR Field Descriptions (Continued)

Bits	Name	Descriptions
17	ALARM	Alarm. This read only bit indicates that the FIFO has determined an alarm condition. When the FIFO is configured to receive, the FIFO alarm provides high level indication, setting when there are less than alarm bytes free in the FIFO (see Section 29.3.4.23, “FEC Receive FIFO Alarm Register (FECRFAR),” for more information). The alarm is cleared when the FIFO is read so that fewer than FECRFSR[GR] bytes remaining in the FIFO.
16	EMT	Empty. This read only bit indicates that the FIFO is empty. The FIFO must be written to clear this bit.
15–0	—	Reserved, should be cleared.

29.3.4.20 FEC Receive FIFO Control Register (FECRFSR)

The FIFO receive control register provides programmability of FIFO behaviors, including last transfer granularity and frame operation. Last transfer granularity allows the user to control when the FIFO controller stops requesting data transfers through the FIFO alarm by modifying the clearing point of the alarm, ensuring the data stream is stopped at a valid point, or there remains enough space in the FIFO to unload the input data pipeline. Additional explanation of this field can be found below. The frame enable (FRMEN) bit of the control register provides a capability to enable and control the FIFO controller’s ability to view data on a packetized basis. Frame mode overrides the FIFO granularity bits. The bits of this register are shown in Figure 29-21, and the fields are further defined in the field descriptions in Table 29-27.

	31	30	29	28	27	26	25	24	23	22	21	20	19	18	17	16
R	0	0	0	TIMER	FRM EN	GR			IP_ MSK	FAE_ MSK	RXW_ MSK	UF_ MSK	OF_ MSK	1	0	0
W																
Reset	0	0	0	0	0	0	0	1	0	0	1	0	0	1	0	0
Reg Addr	MBAR + 0x918C (FEC0), 0x998C (FEC1)															
	15	14	13	12	11	10	9	8	7	6	5	4	3	2	1	0
R	COUNTER															
W																
Reset	0	0	0	0	0	0	0	0	0	0	0	0	0	0	0	0
Reg Addr	MBAR + 0x918C (FEC0), 0x998C (FEC1)															

Figure 29-21. FEC Receive FIFO Control Register (FECRFSR)

Table 29-27. FECRFCR Field Descriptions

Bits	Name	Descriptions
31–29	—	Reserved, should be cleared.
28	TIMER	Timer mode enable. When this bit is set, the FIFO controller will suppress a frame ready request for service from occurring until the timer expires. The timer period can be programmed using the COUNTER[15:0] bits. A request for service will be made every (COUNTER[15:0] * 64) cycles as long as a valid frame exists in the FIFO. Alarm requests are not affected by this mode. Further, the timer is restarted anytime a read or a write to the FIFO Data register occurs. This indicates that either the FIFO currently has the DMA's attention or that data is still being transferred and that there is the possibility that a naturally generated alarm will occur. This bit is only meaningful when frame mode is enabled via the FRMEN bit.
27	FRMEN	Frame mode enable. When this bit is set, the FIFO controller monitors frame done information from the peripheral or multi-channel DMA. Setting this bit also enables the other frame control bits in this register, as well as other frame functions. This bit must be set to use frame functions.
26–24	GR	Last transfer granularity. These bits define the deassertion point for the “high” service request. A “high” service request is deasserted when there are less than GR[2:0] data bytes remaining in the FIFO.
23	IP_MSK	Illegal pointer mask. When this bit is set, the FIFO controller masks the status register's IP bit from generating a RFERR in the EIR.
22	FAE_MSK	Frame accept error mask. When this bit is set, the FIFO controller masks the status register's FAE bit from generating a RFERR in the EIR.
21	RXW_MSK	Receive wait condition mask. When this bit is set, the FIFO controller masks the status register's RXW bit from generating a RFERR in the EIR. (To help with backward compatibility, this bit is set at reset.)
20	UF_MSK	FIFO underflow mask. When this bit is set, the FIFO controller masks the status register's UF bit from generating a RFERR in the EIR.
19	OF_MSK	FIFO overflow mask. When this bit is set, the FIFO controller masks the status register's OF bit from generating a RFERR in the EIR.
18-16	—	Reserved
15–0	COUNTER	Timer mode counter. When the TIMER bit is set, the value of the COUNTER[15:0] bits are used to determine the period of time that the frame ready request is suppressed. A request for service will be made every (COUNTER[15:0] * 64) cycles as long as a valid frame exists in the FIFO.

29.3.4.21 FEC Receive FIFO Last Read Frame Pointer Register (FECRLRFP)

The last read frame pointer (LRFP) is a FIFO-maintained pointer that indicates the location of the next byte after the last frame that has been completely read. If no frames have been read out of the FIFO, the register indicates the first byte location in the FIFO (the reset state). The LRFP updates on FIFO read data accesses to a frame boundary. The LRFP can be read and written for debug purposes. When FECRFCR[FRMEN] is cleared, then this pointer has no meaning. The last read frame pointer is reset to zero, and non-functional bits of this pointer will always remain zero.

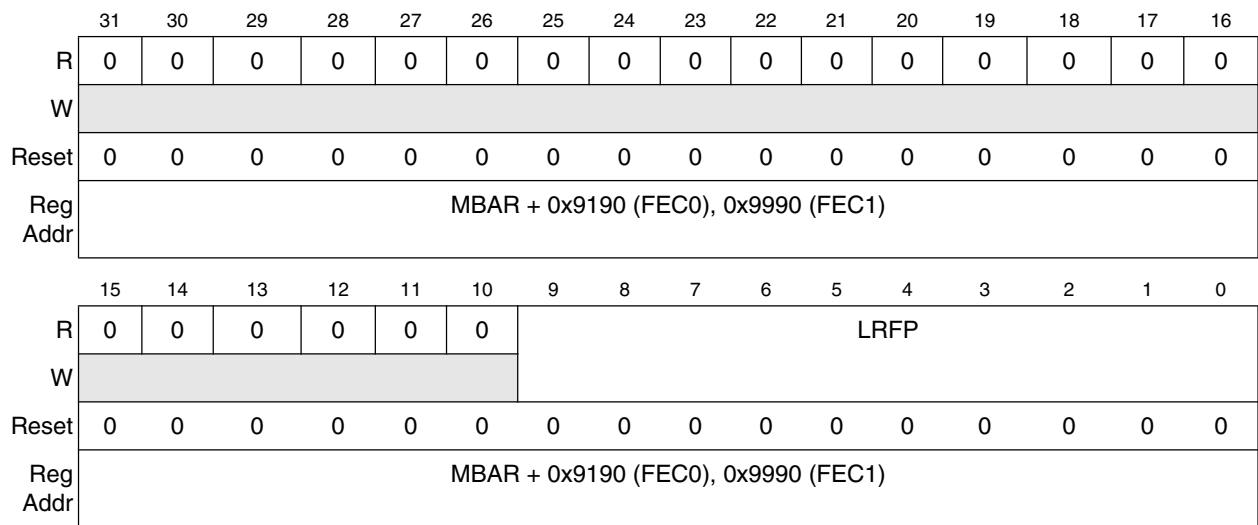


Figure 29-22. FEC Receive FIFO Last Read Frame Pointer Register (FECRLRFP)

Table 29-28. FECRLRFP Field Descriptions

Bits	Name	Descriptions
31–10	—	Reserved, should be cleared.
9–0	LRFP	Last read frame pointer. This pointer indicates the location of the next byte after the last frame that has been completely read. If no frames have been read out of the FIFO, LRFP indicates the first byte location in the FIFO(the reset state).

29.3.4.22 FEC Receive FIFO Last Write Frame Pointer Register (FECRLWFP)

The last read frame pointer (LWFP) is a FIFO-maintained pointer that indicates the location of the next byte after the last frame that has been completely written. If no frames have been written into the FIFO, the register indicates the first byte location in the FIFO(the reset state). The LWFP updates on FIFO write data accesses which create a frame boundary, whether that be by setting the WFR bit in the FIFO Control Register, or by feeding a frame bit in on the appropriate bus. The LWFP can be read and written for debug purposes. For the frame discard function, the LWFP divides the valid data region of the FIFO (the area in-between the read and write pointers) into framed and unframed data. Data between the LWFP and write pointer constitutes an incomplete frame, while data between the read pointer and the LWFP has been received as whole frames. When FECRFCR[FRMEN] is not set, then this pointer has no meaning. The last written frame pointer is reset to zero, and non-functional bits of this pointer will always remain zero.

	31	30	29	28	27	26	25	24	23	22	21	20	19	18	17	16
R	0	0	0	0	0	0	0	0	0	0	0	0	0	0	0	0
W																
Reset	0	0	0	0	0	0	0	0	0	0	0	0	0	0	0	0
Reg Addr	MBAR + 0x9194 (FEC0), 0x9994 (FEC1)															
	15	14	13	12	11	10	9	8	7	6	5	4	3	2	1	0
R	0	0	0	0	0	0	LWFP									
W																
Reset	0	0	0	0	0	0	0	0	0	0	0	0	0	0	0	0
Reg Addr	MBAR + 0x9194 (FEC0), 0x9994 (FEC1)															

Figure 29-23. FEC Receive FIFO Last Write Frame Pointer Register (FECRLWFP)

Table 29-29. FECRLWFP Field Descriptions

Bits	Name	Descriptions
31–10	—	Reserved, should be cleared.
9–0	LWFP	Last write frame pointer. This pointer indicates the location of the next byte after the last frame that has been completely written. If not frames have been written into the FIFO, LWFP indicates the first byte location in the FIFO (the reset state).

29.3.4.23 FEC Receive FIFO Alarm Register (FECRFAR)

This pointer provides high level alarm information to the user and the comm bus interface. A high level alarm reports lack of space. The alarm register defines the alarm threshold for the number of free bytes in the FIFO. If there are less than FECRFAR[ALARM] free bytes in the FIFO, the FECRFSR[ALARM] bit is set.

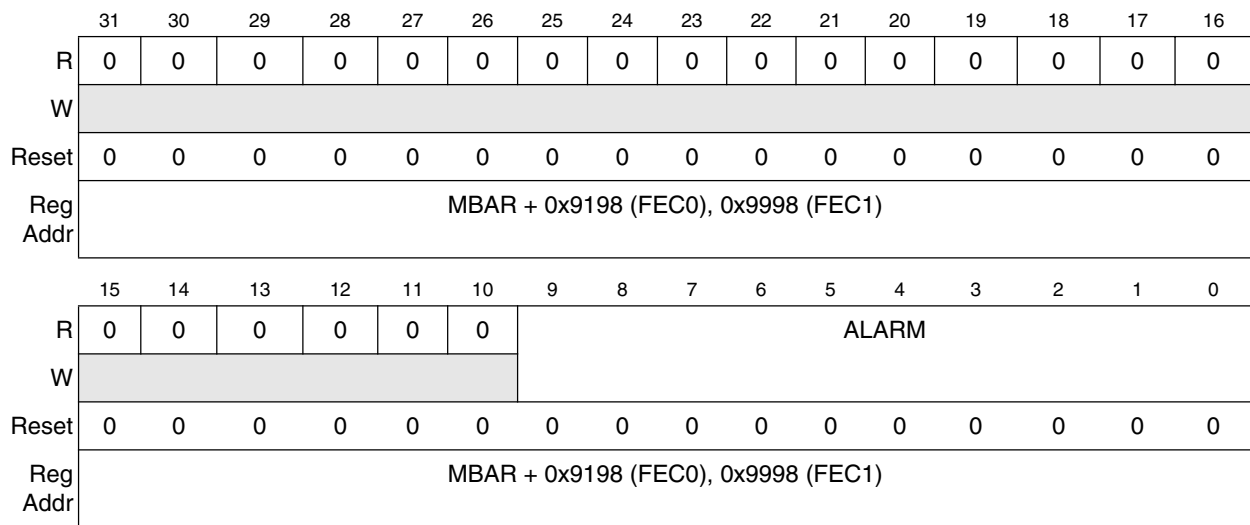


Figure 29-24. FEC Receive FIFO Alarm Register (FECRFAR)

Table 29-30. FECRFAR Field Descriptions

Bits	Name	Descriptions
31–10	—	Reserved, should be cleared.
9–0	ALARM	Alarm pointer. This pointer indicates the point at which to set the FIFO alarm bit. This value is compared with the number of free bytes in the FIFO.

29.3.4.24 FEC Receive FIFO Read Pointer Register (FECRFRP)

The read pointer is a FIFO maintained pointer which points to the next FIFO location to be read. The read pointer can be both read and written. This ability facilitates the debug of the FIFO controller and peripheral drivers.

	31	30	29	28	27	26	25	24	23	22	21	20	19	18	17	16
R	0	0	0	0	0	0	0	0	0	0	0	0	0	0	0	0
W																
Reset	0	0	0	0	0	0	0	0	0	0	0	0	0	0	0	0
Reg Addr	MBAR + 0x919C (FEC0), 0x999C (FEC1)															
	15	14	13	12	11	10	9	8	7	6	5	4	3	2	1	0
R	0	0	0	0	0	0	READ									
W																
Reset	0	0	0	0	0	0	0	0	0	0	0	0	0	0	0	0
Reg Addr	MBAR + 0x919C (FEC0), 0x999C (FEC1)															

Figure 29-25. FEC Receive FIFO Read Pointer Register (FECRFRP)

Table 29-31. FECRFRP Field Descriptions

Bits	Name	Descriptions
31–10	—	Reserved, should be cleared.
9–0	READ	Read pointer. This pointer indicates the next location to be read by the FIFO controller.

29.3.4.25 FEC Receive FIFO Write Pointer Register (FECRFWP)

The write pointer is a FIFO maintained pointer which points to the next FIFO location to be written. The write pointer can be both read and written. This ability facilitates the debug of the FIFO controller and peripheral drivers. The write pointer is reset to zero, and non-functional bits of this pointer will always remain zero.

	31	30	29	28	27	26	25	24	23	22	21	20	19	18	17	16
R	0	0	0	0	0	0	0	0	0	0	0	0	0	0	0	0
W																
Reset	0	0	0	0	0	0	0	0	0	0	0	0	0	0	0	0
Reg Addr	MBAR + 0x91A0 (FEC0), 0x99A0 (FEC1)															
	15	14	13	12	11	10	9	8	7	6	5	4	3	2	1	0
R	0	0	0	0	0	0	WRITE									
W																
Reset	0	0	0	0	0	0	0	0	0	0	0	0	0	0	0	0
Reg Addr	MBAR + 0x91A0 (FEC0), 0x99A0 (FEC1)															

Figure 29-26. FEC Receive FIFO Write Pointer Register (FECRFWP)

Table 29-32. FECRFWP Field Descriptions

Bits	Name	Descriptions
31–10	—	Reserved, should be cleared.
9–0	WRITE	Write pointer. This pointer indicates the next location to be written by the FIFO controller.

29.3.4.26 FEC Transmit FIFO Data Register (FECTFDR)

This is the main interface port for the FIFO. Data which is to be buffered in the FIFO or has been buffered in the FIFO, is accessed through this register. It can be accessed by byte, word, or longword. It is recommended to align all accesses to the most significant byte (big endian) of the data port, using the address of TFDR for byte, word, and longword transactions. However, accessing the data port at TFDR+1, 2, or 3 for bytes or TFDR+2 for words is also acceptable. This register is usually read without wait state, but can be held under boundary conditions. See Section 16.3.1.1, “Wait Conditions” for more explanation.

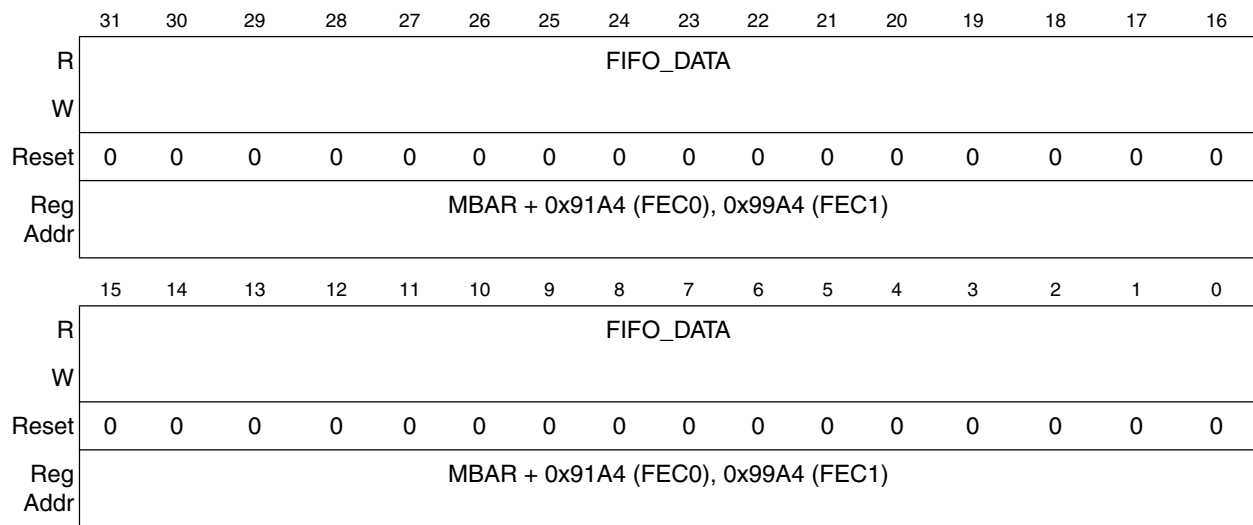


Figure 29-27. FEC Transmit FIFO Data Register (FECTFDR)

Table 29-33. FECTFDR Field Descriptions

Bits	Name	Descriptions
31–0	FIFO_DATA	Transmit FIFO data. Writing to this register will fill the Tx FIFO with transmit data.

29.3.4.27 FEC Transmit FIFO Status Register (FECTFSR)

The FIFO transmit status register contains bits which provide information about the status of the FIFO controller. Some of the bits of this register are used to generate DMA requests.

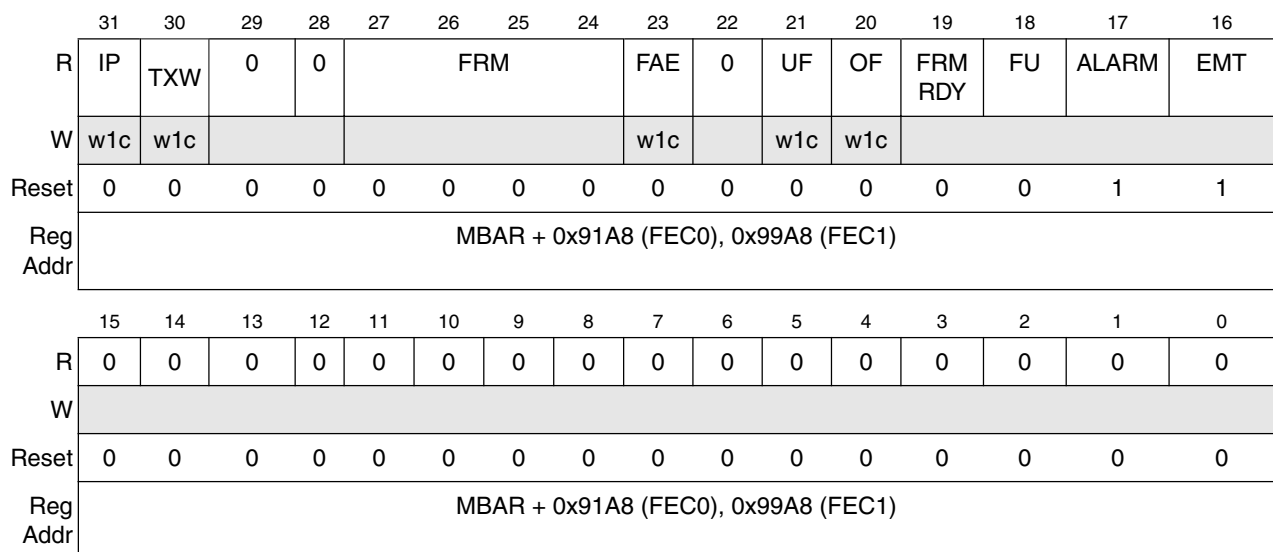


Figure 29-28. FEC Transmit FIFO Status Register (FECTFSR)

Table 29-34. FECTFSR Field Descriptions

Bits	Name	Descriptions
31	IP	Illegal pointer. This bit signifies an illegal pointer condition in the FIFO controller. For example, if a value larger than the FIFO controller's memory range is written to a Read, Write, Last Read, or Last Write Pointer, the IP bit will assert. If not masked, a one in this bit will cause a XFERR in the EIR. This bit will remain set until a one is written to this bit location. 0 No illegal pointer condition. 1 An address outside the FIFO controller's memory range has been written to one of the user-visible pointers. This bit should always be 0 on the FEC since the transmit FIFO size is fixed.
30	TXW	Transmit Wait Condition - STICKY, WRITE TO CLEAR This bit indicates that the ipf_xmit bus is incurring wait states because there is not enough data in the FIFO to satisfy the read request without causing underflow. This bit will cause the error outputs to assert unless the TXW_MASK bit in the FIFO Control register is set. This bit will remain set until a 1 is written to this bit location
27–24	FRM	Frame indicator. Read-only. This bus provides a frame status indicator for non-DMA applications. 1000 A frame boundary has occurred on the [31:24] byte of the data bus 0100 A frame boundary has occurred on the [23:16] byte of the data bus 0010 A frame boundary has occurred on the [15:8] byte of the data bus 0001 A frame boundary has occurred on the [7:0] byte of the data bus
23	FAE	Frame accept error. This bit indicates a frame accept error in the FIFO controller and will set if the user has over-written data in a transmit FIFO for a frame that needs to be retried. If not masked, a one in this bit will cause a XFERR in the EIR. This bit will remain set until a one is written to this bit location. This bit is inactive when the FIFO is not programmed for frame mode. 0 No frame accept error. 1 Frame accept error.
22	—	Reserved, should be cleared.
21	UF	FIFO underflow. This bit signifies the read pointer has surpassed the write pointer. If not masked, a one in this bit will cause a XFERR in the EIR. This bit will remain set until a 1 is written to this bit location. This bit will not assert if the FEC overreads the FIFO because the FIFO will insert wait states to the FEC. For notification of transmit underflow, see EIR[XFUN].
20	OF	FIFO overflow. This bit signifies the write pointer has surpassed the read pointer. If not masked, a one in this bit will cause a XFERR in the EIR. This bit will remain set until a 1 is written to this bit location.
19	FRMRDY	Frame ready. This read only bit indicates that there is framed data ready. All complete frames must be read from the FIFO to clear this bit. This bit will only be set while in frame mode.
18	FU	Full. This read only bit indicates that the FIFO is full. The FIFO must be read to clear this bit.
17	ALARM	Alarm. This read only bit indicates that the FIFO has determined an alarm condition. When the FIFO is configured to transmit, the FIFO alarm provides low level indication, setting when there are less than or equal alarm bytes in the FIFO (see Section 29.3.4.27, "FEC Transmit FIFO Status Register (FECTFSR)" , for more information). The alarm is cleared when the FIFO is written so that less than ($4 \times \text{FECTFCR[GR]}$) free bytes in the FIFO.

Table 29-34. FECTFSR Field Descriptions (Continued)

Bits	Name	Descriptions
16	EMT	Empty. This read only bit indicates that the FIFO is empty. The FIFO must be written to clear this bit.
15–0	—	Reserved, should be cleared.

29.3.4.28 FEC Transmit FIFO Control Register (FECTFCR)

The FIFO transmit control register provides programmability of FIFO behaviors, including last transfer granularity and frame operation. Last transfer granularity allows the user to control when the FIFO controller stops requesting data transfers through the FIFO alarm by modifying the clearing point of the alarm, ensuring the data stream is stopped at a valid point, or there remains enough space in the FIFO to unload the input data pipeline. Additional explanation of this field can be found below. The frame mode enable (FRMEN) bit of the control register provides a capability to enable and control the FIFO controller's ability to view data on a packetized basis. Frame mode overrides the FIFO granularity bits, by setting the FECTFSR[FRMRDY] bit. The bit definitions for this register are shown in [Figure 29-29](#), and the fields are further defined in the field descriptions of [Table 29-35](#).

	31	30	29	28	27	26	25	24	23	22	21	20	19	18	17	16
R	0	WCTL	WFR	TIMER	FRMEN	GR			IP_ MSK	FAE_ MSK	1	UF_ MSK	OF_ MSK	TXW_ MASK	0	0
W																
Reset	0	0	0	0	0	0	0	1	0	0	1	0	0	1	0	0
Reg Addr	MBAR + 0x91AC (FEC0), 0x99AC (FEC1)															
	15	14	13	12	11	10	9	8	7	6	5	4	3	2	1	0
R	COUNTER															
W																
Reset	0	0	0	0	0	0	0	0	0	0	0	0	0	0	0	0
Reg Addr	MBAR + 0x91AC (FEC0), 0x99AC (FEC1)															

Figure 29-29. FEC Transmit FIFO Control Register (FECTFCR)**Table 29-35. FECTFCR Field Descriptions**

Bits	Name	Descriptions
31	—	Reserved, should be cleared.
30	WCTL	Write control. When this bit is set, the FIFO controller assumes the next write to its data port contains control information for the peripheral, and will tag the incoming data accordingly. This bit is automatically cleared by a write to the data port.
29	WFR	Write frame. When this bit is set, the FIFO controller assumes the next write to its data port is the end of a frame, and will tag the incoming data accordingly. This bit is automatically cleared by a write to the data port.

Table 29-35. FECTFCR Field Descriptions (Continued)

Bits	Name	Descriptions
28	TIMER	Timer mode enable. When this bit is set, the FIFO controller will suppress a frame ready request for service from occurring until the timer expires. The timer period can be programmed using the COUNTER[15:0] bits. A request for service will be made every (COUNTER[15:0] * 64) cycles as long as a valid frame exists in the FIFO. Alarm requests are not affected by this mode. Further, the timer is restarted anytime a read or a write to the FIFO Data register occurs. This indicates that either the FIFO currently has the DMA's attention or that data is still being transferred and that there is the possibility that a naturally generated alarm will occur. This bit is only meaningful when frame mode is enabled via the FRMEN bit.
27	FRMEN	Frame mode enable. When this bit is set, the FIFO controller monitors frame done information from the peripheral or multi-channel DMA. Setting this bit also enables the other frame control bits in this register, as well as other frame functions. This bit must be set to use frame functions.
26–24	GR	Last transfer granularity. A transmit alarm request is cleared when there are less than (4 * GR[2:0]) free bytes remaining in the FIFO.
23	IP_MSK	Illegal pointer mask. When this bit is set, the FIFO controller masks the status register's IP bit from generating a XFERR in the EIR.
22	FAE_MSK	Frame accept error mask. When this bit is set, the FIFO controller masks the status register's FAE bit from generating an error.
21	—	Reserved, should be set.
20	UF_MSK	FIFO underflow mask. When this bit is set, the FIFO controller masks the status register's UF bit from generating a XFERR in the EIR.
19	OF_MSK	FIFO overflow mask. When this bit is set, the FIFO controller masks the status register's OF bit from generating a XFERR in the EIR.
18	TXW_MASK	When this bit is set, the FIFO controller masks the Status Register's TXW bit from generating an error. (To help with backward compatibility, this bit is asserted at reset.)
17-16	—	Reserved, should be cleared.
15–0	COUNTER	Timer mode counter. When the TIMER bit is set, the value of the COUNTER[15:0] bits are used to determine the period of time that the frame ready request is suppressed. A request for service will be made every (COUNTER[15:0] * 64) cycles as long as a valid frame exists in the FIFO.

29.3.4.29 FEC Transmit FIFO Last Read Frame Pointer Register (FECTLRFP)

The last read frame pointer (LRFP) is a FIFO-maintained pointer that indicates the location of the next byte after the last frame that has been completely read. If no frames have been read out of the FIFO, the register indicates the first byte location in the FIFO (the reset state). The LRFP updates on FIFO read data accesses to a frame boundary. The LRFP updates on FIFO read data accesses to a frame boundary. The LRFP can be read and written for debug purposes. For the frame retransmit function, the LRFP indicates which point to begin retransmission of the data frame. The LRFP carries validity information, however, there are no safeguards to prevent retransmitting data which has been overwritten. When FECTFCR[FRMEN] is not set, then this pointer has no meaning. The last read frame pointer is reset to zero, and non-functional bits of this pointer will always remain zero.

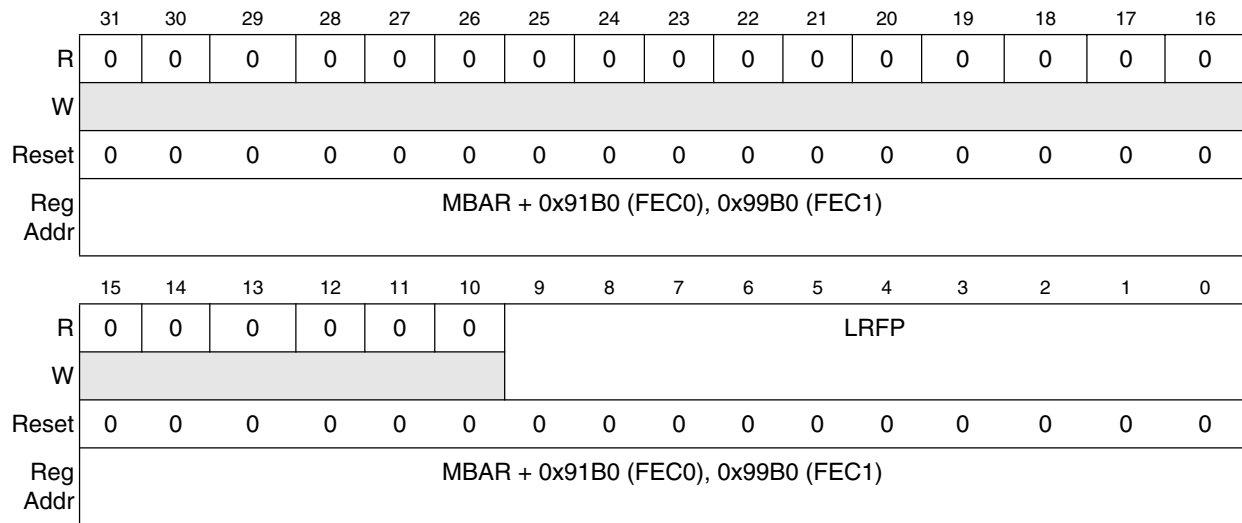


Figure 29-30. FEC Transmit FIFO Last Write Frame Pointer Register (FECTLRFP)

Table 29-36. FECTLRFP Field Descriptions

Bits	Name	Descriptions
31–10	—	Reserved, should be cleared.
9–0	LRFP	Last read frame pointer. This pointer indicates the location of the next byte after the last frame that has been completely read. If no frames have been read out of the FIFO, LRFP indicates the first byte location in the FIFO(the reset state).

29.3.4.30 FEC Transmit FIFO Last Write Frame Pointer Register (FECTLWFP)

The last read frame pointer (LWFP) is a FIFO-maintained pointer that indicates the location of the next byte after the last frame that has been completely written. If no frames have been written into the FIFO, the register indicates the first byte location in the FIFO(the reset state).The LWFP updates on FIFO write data accesses which create a frame boundary, whether that be by setting the WFR bit in the FIFO Control Register, or by feeding a frame bit in on the appropriate bus. The LWFP can be read and written for debug purposes. For the frame discard function, the LWFP divides the valid data region of the FIFO (the area in-between the read and write pointers) into framed and unframed data. Data between the LWFP and write pointer constitutes an incomplete frame, while data between the read pointer and the LWFP has been received as whole frames. When FECTFCR[FRMEN] is not set, then this pointer has no meaning. The last written frame pointer is reset to zero, and non-functional bits of this pointer will always remain zero.

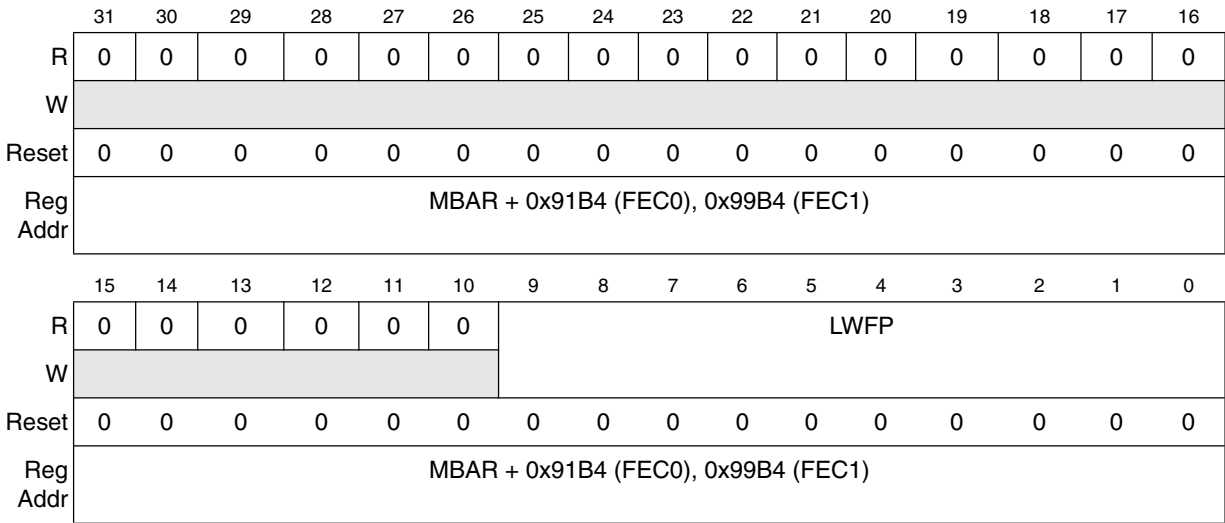


Figure 29-31. FEC Transmit FIFO Last Write Frame Pointer Register (FECTLWFP)

Table 29-37. FECTLWFP Field Descriptions

Bits	Name	Descriptions
31–10	—	Reserved, should be cleared.
9–0	LWFP	Last write frame pointer. This pointer indicates the location of the next byte after the last frame that has been completely written. If no frames have been read out of the FIFO, LWFP indicates the first byte location in the FIFO(the reset state).

29.3.4.31 FEC Transmit FIFO Alarm Register (FECTFAR)

This pointer provides low level alarm information to the user and the comm bus interface. A low level alarm reports lack of data. The alarm register defines the alarm threshold for the number of bytes in the FIFO. If there are less than or equal FECTFAR[ALARM] bytes of data in the FIFO, the FECTFSR[ALARM] bit is set.

	31	30	29	28	27	26	25	24	23	22	21	20	19	18	17	16
R	0	0	0	0	0	0	0	0	0	0	0	0	0	0	0	0
W																
Reset	0	0	0	0	0	0	0	0	0	0	0	0	0	0	0	0
Reg Addr	MBAR + 0x91B8 (FEC0), 0x99B8 (FEC1)															
	15	14	13	12	11	10	9	8	7	6	5	4	3	2	1	0
R	0	0	0	0	0	0	ALARM									
W																
Reset	0	0	0	0	0	0	0	0	0	0	0	0	0	0	0	0
Reg Addr	MBAR + 0x91B8 (FEC0), 0x99B8 (FEC1)															

Figure 29-32. FEC Transmit FIFO Alarm Register (FECTFAR)

Table 29-38. FECTFAR Field Descriptions

Bits	Name	Descriptions
31–10	—	Reserved, should be cleared.
9–0	ALARM	Alarm pointer. This pointer indicates the point at which to set the FIFO alarm bit. This value is compared with the number of data bytes in the FIFO.

29.3.4.32 FEC Transmit FIFO Read Pointer Register (FECTFRP)

The read pointer is a FIFO maintained pointer which points to the next FIFO location to be read. The read pointer can be both read and written. This ability facilitates the debug of the FIFO controller and peripheral drivers.

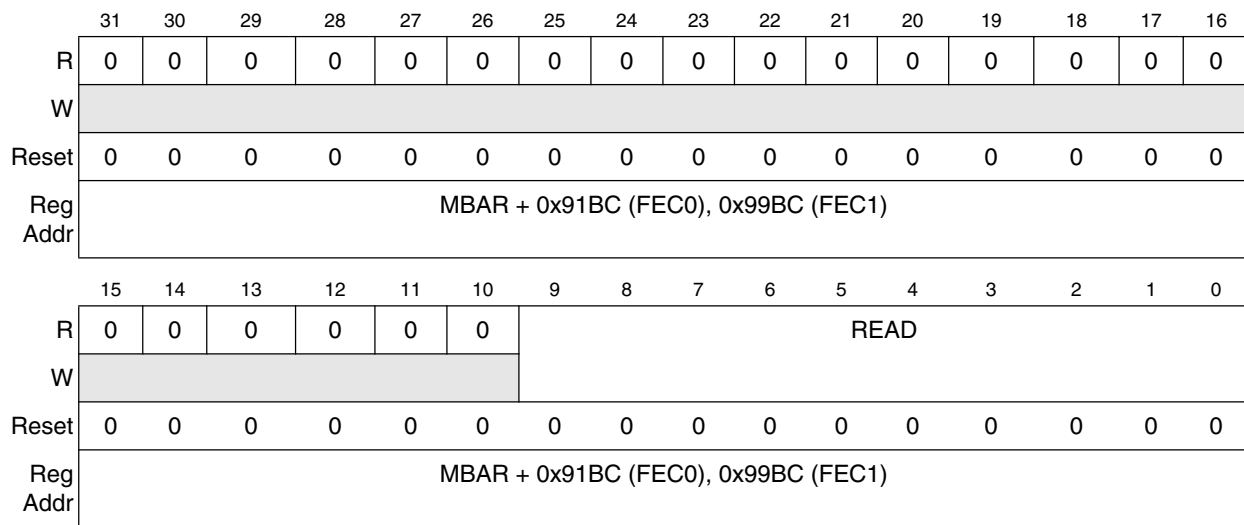


Figure 29-33. FEC Transmit FIFO Read Pointer Register (FECTFRP)

Table 29-39. FECTFRP Field Descriptions

Bits	Name	Descriptions
31–10	—	Reserved, should be cleared.
9–0	READ	Read pointer. This pointer indicates the next location to be read by the FIFO controller.

29.3.4.33 FEC Transmit FIFO Write Pointer Register (FECTFWP)

The write pointer is a FIFO maintained pointer which points to the next FIFO location to be written. The write pointer can be both read and written. This ability facilitates the debug of the FIFO controller and peripheral drivers. The write pointer is reset to zero, and non-functional bits of this pointer will always remain zero.

	31	30	29	28	27	26	25	24	23	22	21	20	19	18	17	16
R	0	0	0	0	0	0	0	0	0	0	0	0	0	0	0	0
W	[Shaded]															
Reset	0	0	0	0	0	0	0	0	0	0	0	0	0	0	0	0
Reg Addr	MBAR + 0x91C0 (FEC0), 0x99C0 (FEC1)															
	15	14	13	12	11	10	9	8	7	6	5	4	3	2	1	0
R	0	0	0	0	0	0	WRITE									
W	[Shaded]						[Shaded]									
Reset	0	0	0	0	0	0	0	0	0	0	0	0	0	0	0	0
Reg Addr	MBAR + 0x91C0 (FEC0), 0x99C0 (FEC1)															

Figure 29-34. FEC Transmit FIFO Write Pointer Register (FECTFWP)

Table 29-40. FECTFWP Field Descriptions

Bits	Name	Descriptions
31–10	—	Reserved, should be cleared.
9–0	WRITE	Write pointer. This pointer indicates the next location to be written by the FIFO controller.

29.3.4.34 FEC FIFO Reset Register (FECFRST)

The FIFO's within the FEC module have independent controllers. This register provides the user the ability to reset FIFOs via hardware or software.

	31	30	29	28	27	26	25	24	23	22	21	20	19	18	17	16
R	0	0	0	0	0	0	SW_RST	RST_CTL	0	0	0	0	0	0	0	0
W	[Shaded]						[Shaded]	[Shaded]	[Shaded]							
Reset	0	0	0	0	0	0	0	0	0	0	0	0	0	0	0	0
Reg Addr	MBAR + 0x91C4 (FEC0), 0x99C4 (FEC1)															
	15	14	13	12	11	10	9	8	7	6	5	4	3	2	1	0
R	0	0	0	0	0	0	0	0	0	0	0	0	0	0	0	0
W	[Shaded]															
Reset	0	0	0	0	0	0	0	0	0	0	0	0	0	0	0	0
Reg Addr	MBAR + 0x91C4 (FEC0), 0x99C4 (FEC1)															

Figure 29-35. FEC FIFO Reset Register (FECFRST)

Table 29-41. FECFRST Field Descriptions

Bits	Name	Descriptions
31–26	—	Reserved, should be cleared
25	SW_RST	Software reset. Programming a “1” to this bit will generate a software reset of the FIFOs.
24	RST_CTL	Reset control. A “1” in this register bit allows system/hardware reset to reset the FIFOs.
23–0	—	Reserved, should be cleared

29.3.4.35 FEC CRC and Transmit Frame Control Word Register (FECCTCWR)

The FEC can be sent a control word (32-bit) with additional instructions on how to transmit the current frame. This control word instructs the FEC to append or not append a CRC value to the frame being transmitted. Control of the transmit frame control word and its contents are provided in this register.

	31	30	29	28	27	26	25	24	23	22	21	20	19	18	17	16
R	0	0	0	0	0	0	CRC	TFCW	0	0	0	0	0	0	0	0
W																
Reset	0	0	0	0	0	0	0	0	0	0	0	0	0	0	0	0
Reg Addr	MBAR + 0x91C8 (FEC0), 0x99C8 (FEC1)															
	15	14	13	12	11	10	9	8	7	6	5	4	3	2	1	0
R	0	0	0	0	0	0	0	0	0	0	0	0	0	0	0	0
W																
Reset	0	0	0	0	0	0	0	0	0	0	0	0	0	0	0	0
Reg Addr	MBAR + 0x91C8 (FEC0), 0x99C8 (FEC1)															

Figure 29-36. FEC CRC and Transmit Frame Control Word Register (FECCTCWR)

Table 29-42. FECCTCWR Field Descriptions

Bits	Name	Descriptions
31–26	—	Reserved, should be cleared
25	CRC	CRC enable. This bit is associated with the TC field in FEC’s Transmit Frame Control Word. A 1 in this bit location translates to TC = 1 and instructs FEC to append CRC to the current transmit frame.
24	TFCW	Transmit frame control word enable. This bit controls whether a “control word” is appended to the frame being transferred to the transmit FIFO.
23–0	—	Reserved, should be cleared

29.4 Functional Description

This section describes the operation of the FEC, beginning with the hardware and software initialization sequence, then the software (Ethernet driver) interface for transmitting and receiving frames.

Following the software initialization and operation sections are sections providing a detailed description of the functions of the FEC.

29.4.1 Initialization Sequence

This section describes which registers are reset due to hardware reset, which are reset by the FEC RISC, and what locations the user must initialize prior to enabling the FEC.

29.4.1.1 Hardware Controlled Initialization

In the FEC, registers and control logic are reset by hardware (system reset). A system reset deasserts output signals and resets general configuration bits.

By clearing ECR[ETHER_EN], the configuration control registers such as the TCR and RCR will not be reset, but the entire data path will be reset. If ECR[ETHER_EN] is deasserted, the associated FIFO controller should also be given a soft reset to purge any data/frames.

Table 29-43. ECR[ETHER_EN] De-Assertion Effect on FEC

Register/Machine	Reset Value
XMIT block	Transmission is aborted (bad CRC appended)
RECV block	Receive activity is aborted

29.4.1.2 User Initialization (Prior to Asserting ECR[ETHER_EN])

The user needs to initialize portions of the FEC prior to setting the ECR[ETHER_EN] bit. The exact values will depend on the particular application. The sequence is not important.

FEC registers requiring initialization are defined in [Table 29-44](#).

Table 29-44. User Initialization (Before Asserting ECR[ETHER_EN])

Description
Initialize EIMR
Clear EIR (write 0xFFFF_FFFF)
Set FECTFWR (optional)
Set IALR / IAUR
Set GAUR / GALR
Set PALR / PAHR (only needed for full duplex flow control)
Set OPD (only needed for full duplex flow control)
Set RCR
Set TCR

Table 29-44. User Initialization (Before Asserting ECR[ETHER_EN]) (Continued)

Description
Set MSCR (optional)
Clear MIB RAM (locations MBAR + 0x9200 - 0x92E3 and MBAR + 0x9A00 - 0x9AE3)
Reset Comm Bus FIFOs in the FIFO Reset register
Set Comm Bus FIFO Alarm and Control Registers

29.4.2 Frame Control/Status Words

In the FEC, transmit frame control words and receive frame status words are appended to frame data in the FIFO. These words use the format shown below.

29.4.2.1 Receive Frame Status Word (RFSW)

Figure 29-37 defines the format for the receive frame status word.

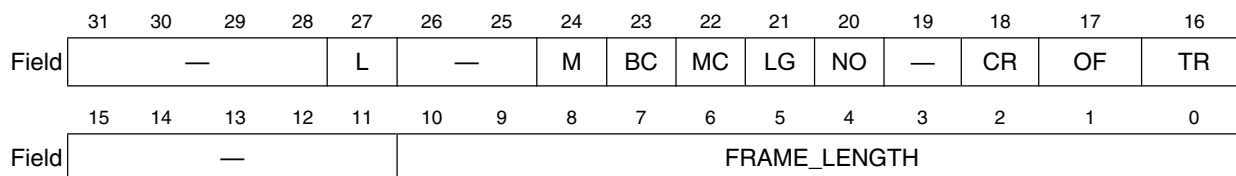


Figure 29-37. Receive Frame Status Word Format (RFSW)

Table 29-45. RFSW Field Descriptions

Bits	Name	Description
31–28	—	Reserved, should be cleared.
27	L	Last in frame. Written by the FEC. 0 The buffer is not the last in a frame 1 The buffer is the last in a frame
26–25	—	Reserved, should be cleared.
24	M	Miss. Written by the FEC. This bit is set by the FEC for frames that were accepted in promiscuous mode, but were flagged as a “miss” by the internal address recognition. Thus, while in promiscuous mode, the user can use the M-bit to quickly determine whether the frame was destined to this station. This bit is valid only if the L-bit is set and the PROM bit is set. 0 The frame was received because of an address recognition hit. 1 The frame was received because of promiscuous mode.
23	BC	Will be set if the destination address (DA) is broadcast (FF-FF-FF-FF-FF-FF).
22	MC	Will be set if the DA is multicast and not BC.
21	LG	Receive frame length Violation. Written by the FEC. A frame length greater than RCR[MAX_FL] was recognized. This bit is valid only if the L-bit is set. The receive data is not altered in any way unless the length exceeds 2047 bytes.

Table 29-45. RFSW Field Descriptions (Continued)

Bits	Name	Description
20	NO	Receive Nonoctet Aligned Frame. Written by the FEC. A frame that contained a number of bits not divisible by 8 was received, and the CRC check that occurred at the preceding byte boundary generated an error. This bit is valid only if the L-bit is set. If this bit is set the CR bit will not be set.
19	—	Reserved, should be cleared.
18	CR	Receive CRC Error, written by the FEC. This frame contains a CRC error and is an integral number of octets in length. This bit is valid only if the L-bit is set.
17	OF	Overflow, written by the FEC. A receive FIFO overflow occurred during frame reception. If this bit is set, the other status bits, M, LG, NO, SH, CR, and CL lose their normal meaning and will be zero. This bit is valid only if the L bit is set.
16	TR	Truncated Receive Frame. Will be set if the receive frame is truncated (frame length > 2047 bytes). If the TR bit is set the frame should be discarded and the other error bits should be ignored as they may be incorrect.
15–11	—	Reserved, should be cleared.
10–0	FRAME_LENGTH	Frame length depends on the L (buffer position) bit: If L = 0, then the frame length value is only the number of octets received. If L = 1, then the frame length value includes CRC.

29.4.2.2 Transmit Frame Control Word (TFCW)

Figure 29-38 shows the format of the transmit frame control word.

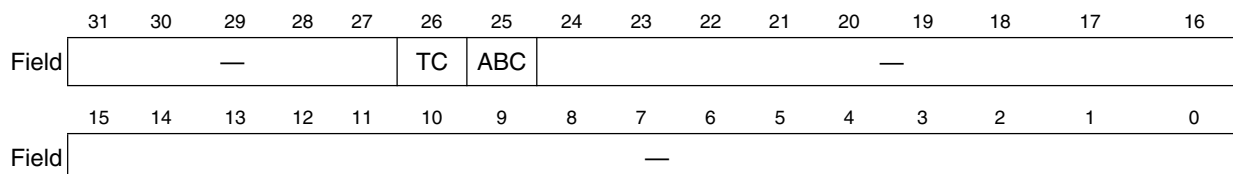


Figure 29-38. Transmit Frame Control Word Format (TFCW)

Table 29-46. TFCW Field Descriptions

Bits	Name	Description
31–27	—	Reserved, should be cleared.
26	TC	Transmit CRC, written by user 0 End transmission immediately after the last data byte. 1 Transmit the CRC sequence after the last data byte.
25	ABC	Append Bad CRC, written by user 0 No effect 1 Transmit the CRC sequence inverted after the last data byte (regardless of TC value)
24–0	—	Reserved, should be cleared.

29.4.3 Network Interface Options

The FEC supports both an MII interface for 10/100 Mbps Ethernet and a 7-wire serial interface for 10 Mbps Ethernet. The interface mode is selected by the RCR[MII_MODE] bit. In MII mode (RCR[MII_MODE] = 1), the following 12 signals are defined by the IEEE 802.3 standard and supported by the FEC. These signals are shown in [Table 29-47](#) below.

Table 29-47. MII Mode

Signal Description	EMAC Supported Signal
Transmit Clock	ETXCLK
Transmit Enable	ETXEN
Transmit Data	ETXD[3:0]
Transmit Error	ETXER
Collision	ECOL
Carrier Sense	ECRS
Receive Clock	ERXCLK
Receive Data Valid	ERXDV
Receive Data	ERXD[3:0]
Receive Error	ERXER
Management Data Clock	EMDC
Management Data Input/Output	EMDIO

The 7-wire serial mode interface (RCR[MII_MODE] = 0) operates in what is generally referred to as the “AMD” mode. The 7-wire mode connections to the external transceiver are shown in [Table 29-48](#).

Table 29-48. 7-Wire Mode Configuration

Signal Description	EMAC Supported Signal
Transmit Clock	ETXCLK
Transmit Enable	ETXEN
Transmit Data	ETXD[0]
Collision	ECOL
Receive Clock	ERXCLK
Receive Data Valid	ERXDV
Receive Data	ERXD[0]

29.4.4 FEC Frame Transmission

The Ethernet transmitter is designed to work with almost no intervention from software. Once ECR[ETHER_EN] is set and data appears in the transmit FIFO, the FEC is able to transmit onto the network.

When the transmit FIFO fills to the watermark (defined by FECTFWR) or a complete (small) frame is placed in the FIFO, the FEC transmit logic will assert *EnTXEN* and start transmitting the preamble (PA) sequence, the start frame delimiter (SFD), and then the frame information from the FIFO. However, the controller defers the transmission if the network is busy (*EnCRS* asserts). Before transmitting, the controller waits for carrier sense to become inactive, then determines if carrier sense stays inactive for 60 bit times. If so, the transmission begins after waiting an additional 36 bit times (96 bit times after carrier sense originally became inactive). See [Section 29.4.12.1, “Transmission Errors”](#) for more details.

If a collision occurs during transmission of the frame (half duplex mode), the Ethernet controller follows the specified backoff procedures and attempts to retransmit the frame until the retry limit is reached.

When all the frame data has been transmitted, the FCS (frame check sequence) or 32-bit cyclic redundancy check (CRC) bytes are appended if the TC bit is set in the transmit frame control word (TFCW). If the ABC bit is set in the TFCW, a bad CRC will be appended to the frame data regardless of the TC bit value. Following the transmission of the CRC, the Ethernet controller writes the frame status information to the MIB block. Short frames are automatically padded by the transmit logic (if TFCW[TC] = 1).

Frame (TXF) interrupts may be generated as determined by the settings in the EIMR.

The transmit error interrupts are HBERR, BABT, LC, RL, XFUN, and XFERR. If the transmit frame length exceeds MAX_FL bytes the BABT interrupt will be asserted, however the entire frame will be transmitted (no truncation).

To pause transmission, set the GTS (graceful transmit stop) bit in the TCR register. When TCR[GTS] is set, the FEC transmitter stops immediately if transmission is not in progress; otherwise, it continues transmission until the current frame either finishes or terminates with a collision. After the transmitter has stopped, the GRA (graceful stop complete) interrupt is asserted. If TCR[GTS] is cleared, the FEC resumes transmission with the next frame.

The Ethernet controller transmits bytes least significant bit first.

29.4.5 FEC Frame Reception

The FEC receiver is designed to work with almost no intervention from the host and can perform address recognition, CRC checking, short frame checking, and maximum frame length checking.

When the driver enables the FEC receiver by setting ECR[ETHER_EN], it will immediately start processing receive frames. When *EnRXDV* asserts, the receiver will first check for a valid PA/SFD header. If the PA/SFD is valid, it will be stripped and the frame will be processed by the receiver. If a valid PA/SFD is not found, the frame will be ignored.

In 7-wire serial mode, the first 16 bit times of *EnRXD0* following assertion of *EnRXDV* are ignored. Following the first 16 bit times the data sequence is checked for alternating 1s and 0s. If a 11 or 00 data sequence is detected during bit times 17 to 21, the remainder of the frame is ignored. After bit time 21, the data sequence is monitored for a valid SFD (11). If a 00 is detected, the frame is rejected. When a 11 is detected, the PA/SFD sequence is complete.

In MII mode, the receiver checks for at least one byte matching the SFD. Zero or more PA bytes may occur, but if a 00 bit sequence is detected prior to the SFD byte, the frame is ignored.

After the first 6 bytes of the frame have been received, the FEC performs address recognition on the frame.

Once a collision window (64 bytes) of data has been received and if address recognition has not rejected the frame, the receive FIFO is signalled that the frame is “accepted.” If the frame is a runt (due to collision) or is rejected by address recognition, the receive FIFO is notified to “reject” the frame. Thus, no collision fragments are presented to the user except late collisions, which indicate serious LAN problems.

During reception, the Ethernet controller checks for various error conditions and once the entire frame is written into the FIFO, a 32-bit frame status word (RFSW) is written into the FIFO. This receive frame status word contains the M, BC, MC, LG, NO, CR, OF and TR status bits, and the frame length. See [Section 29.4.12.2, “Reception Errors”](#) for more details.

Receive frames are not truncated if they exceed the max frame length (MAX_FL); however, the BABR interrupt will occur and the LG bit in the receive frame status word (RFSW) will be set. See [Section 29.4.2.1, “Receive Frame Status Word \(RFSW\)”](#) for more details.

The FEC receives serial data LSB first.

29.4.6 Ethernet Address Recognition

The FEC filters the received frames based on destination address (DA) type — individual (unicast), group (multicast), or broadcast (all-ones group address). The difference between an individual address and a group address is determined by the I/G bit in the destination address field. A flowchart for address recognition on received frames is illustrated in the figures below.

If the DA is a broadcast address and broadcast reject (RCR[BC_REJ]) is deasserted, then the frame will be accepted unconditionally, as shown in [Figure 29-39](#). Otherwise, if the DA is not a broadcast address, then the microcontroller runs the address recognition subroutine.

If the DA is a group (multicast) address and flow control is disabled, then the microcontroller will perform a group hash table lookup using the 64-entry hash table programmed in GAUR and GALR. If a hash match occurs, the receiver accepts the frame.

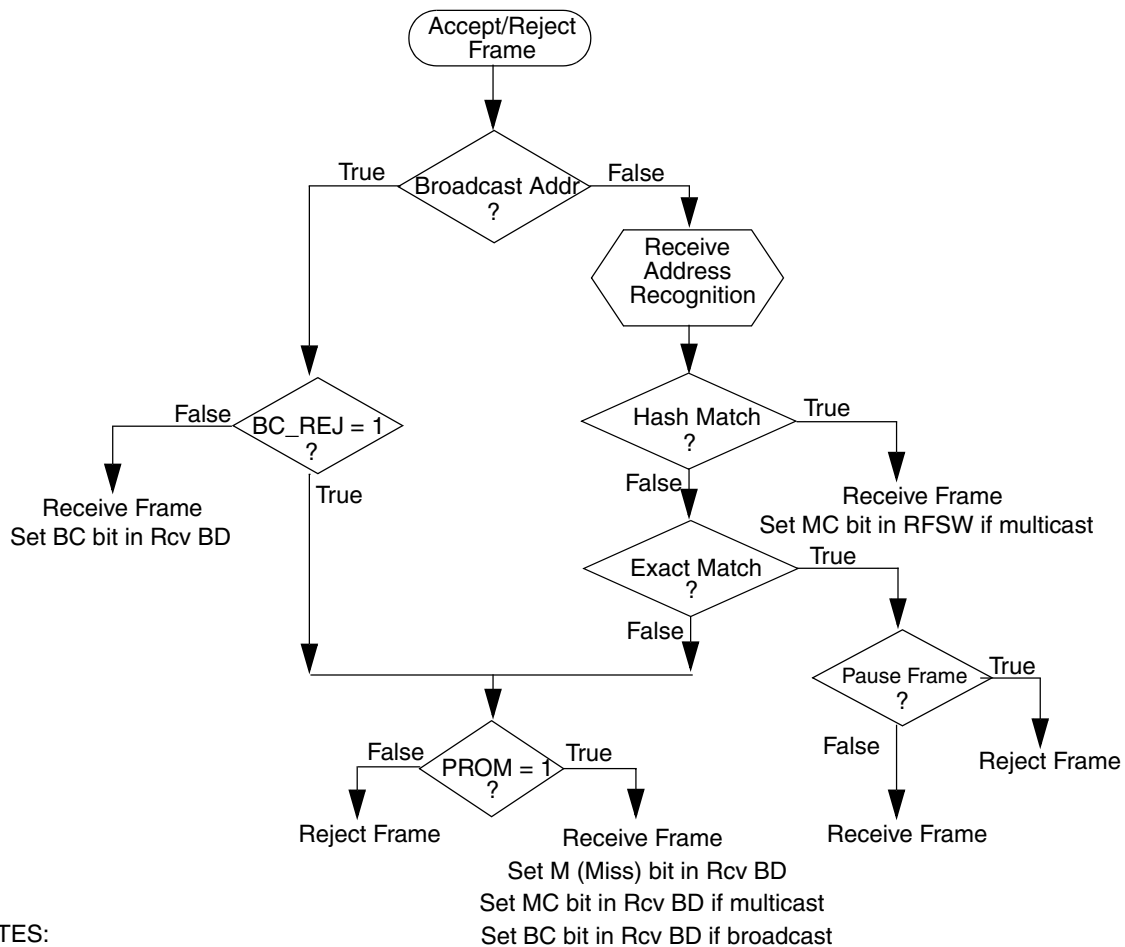
If flow control is enabled, the microcontroller will do an exact address match check between the DA and the designated PAUSE DA (01:80:C2:00:00:01). If the receive block determines that the received frame is a valid PAUSE frame, then the frame will be rejected. Note the receiver will detect a PAUSE frame with the DA field set to either the designated PAUSE DA or the unicast physical address. See [Section 29.4.8, “Full Duplex Flow Control”](#) for more details on pause frames.

If the DA is the individual (unicast) address, the microcontroller performs an individual exact match comparison between the DA and the 48-bit physical address that the user programs in the PALR and PAHR registers. If an exact match occurs, the frame is accepted; otherwise, the microcontroller does an individual hash table lookup using the 64-entry hash table programmed in registers, IAUR and IALR. In the case of an individual hash match, the frame is accepted. Again, the receiver will accept or reject the frame based on PAUSE frame detection, shown in [Figure 29-39](#).

If neither a hash match (group or individual) nor an exact match (group or individual) occur, and if promiscuous mode is enabled (RCR[PROM] = 1), then the frame will be accepted and the MISS bit in the RFSW will be cleared; otherwise, the frame will be rejected.

Similarly, if the DA is a broadcast address, broadcast reject (RCR[BC_REJ]) is asserted, and promiscuous mode is enabled, then the frame will be accepted and the MISS bit in the receive buffer descriptor is set; otherwise, the frame will be rejected.

The flowchart shown in [Figure 29-39](#) illustrates the address recognition decisions made by the receive block.



NOTES:

BC_REJ - field in RCR register (BroadCast REject)

PROM - field in RCR register (PROMiscous mode)

Pause Frame - valid PAUSE frame received

Figure 29-39. Ethernet Address Recognition—Receive Block Decisions

29.4.7 Hash Algorithm

The hash table algorithm used in the group and individual hash filtering operates as follows. The 48-bit destination address is mapped into one of 64 bits, which are represented by 64 bits stored in GAUR, GALR (group address hash match) or IAUR, IALR (individual address hash match). This mapping is performed by passing the 48-bit address through the FEC's 32-bit CRC generator and selecting the 6 most significant bits of the CRC-encoded result to generate a number between 0 and 63. The MSB of the CRC result selects GAUR (MSB = 1) or GALR (MSB = 0). The least significant 5 bits of the hash result select the bit within the selected register. If the CRC generator selects a bit that is set in the hash table, the frame is accepted; otherwise, it is rejected.

For example, if eight group addresses are stored in the hash table and random group addresses are received, the hash table prevents roughly 56/64 (or 87.5%) of the group address frames from reaching memory. Those that do reach memory must be further filtered by the processor to determine if they truly contain one of the eight desired addresses.

The effectiveness of the hash table declines as the number of addresses increases.

The hash table registers must be initialized by the user. The CRC32 polynomial to use in computing the hash is:

$$X^{32} + X^{26} + X^{23} + X^{22} + X^{16} + X^{12} + X^{11} + X^{10} + X^8 + X^7 + X^5 + X^4 + X^2 + X + 1$$

A table of example destination addresses and corresponding hash values is included below for reference.

Table 29-49. Destination Address to 6-Bit Hash

48-bit Destination Address	6-bit Hash (in Hex)	Hash Decimal Value
65:FF:FF:FF:FF:FF	0x0	0
55:FF:FF:FF:FF:FF	0x1	1
15:FF:FF:FF:FF:FF	0x2	2
35:FF:FF:FF:FF:FF	0x3	3
B5:FF:FF:FF:FF:FF	0x4	4
95:FF:FF:FF:FF:FF	0x5	5
D5:FF:FF:FF:FF:FF	0x6	6
F5:FF:FF:FF:FF:FF	0x7	7
DB:FF:FF:FF:FF:FF	0x8	8
FB:FF:FF:FF:FF:FF	0x9	9
BB:FF:FF:FF:FF:FF	0xA	10
8B:FF:FF:FF:FF:FF	0xB	11
0B:FF:FF:FF:FF:FF	0xC	12
3B:FF:FF:FF:FF:FF	0xD	13
7B:FF:FF:FF:FF:FF	0xE	14
5B:FF:FF:FF:FF:FF	0xF	15
27:FF:FF:FF:FF:FF	0x10	16
07:FF:FF:FF:FF:FF	0x11	17
57:FF:FF:FF:FF:FF	0x12	18
77:FF:FF:FF:FF:FF	0x13	19
F7:FF:FF:FF:FF:FF	0x14	20
C7:FF:FF:FF:FF:FF	0x15	21
97:FF:FF:FF:FF:FF	0x16	22
A7:FF:FF:FF:FF:FF	0x17	23
99:FF:FF:FF:FF:FF	0x18	24
B9:FF:FF:FF:FF:FF	0x19	25

Table 29-49. Destination Address to 6-Bit Hash (Continued)

48-bit Destination Address	6-bit Hash (in Hex)	Hash Decimal Value
F9:FF:FF:FF:FF:FF	0x1A	26
C9:FF:FF:FF:FF:FF	0x1B	27
59:FF:FF:FF:FF:FF	0x1C	28
79:FF:FF:FF:FF:FF	0x1D	29
29:FF:FF:FF:FF:FF	0x1E	30
19:FF:FF:FF:FF:FF	0x1F	31
D1:FF:FF:FF:FF:FF	0x20	32
F1:FF:FF:FF:FF:FF	0x21	33
B1:FF:FF:FF:FF:FF	0x22	34
91:FF:FF:FF:FF:FF	0x23	35
11:FF:FF:FF:FF:FF	0x24	36
31:FF:FF:FF:FF:FF	0x25	37
71:FF:FF:FF:FF:FF	0x26	38
51:FF:FF:FF:FF:FF	0x27	39
7F:FF:FF:FF:FF:FF	0x28	40
4F:FF:FF:FF:FF:FF	0x29	41
1F:FF:FF:FF:FF:FF	0x2A	42
3F:FF:FF:FF:FF:FF	0x2B	43
BF:FF:FF:FF:FF:FF	0x2C	44
9F:FF:FF:FF:FF:FF	0x2D	45
DF:FF:FF:FF:FF:FF	0x2E	46
EF:FF:FF:FF:FF:FF	0x2F	47
93:FF:FF:FF:FF:FF	0x30	48
B3:FF:FF:FF:FF:FF	0x31	49
F3:FF:FF:FF:FF:FF	0x32	50
D3:FF:FF:FF:FF:FF	0x33	51
53:FF:FF:FF:FF:FF	0x34	52
73:FF:FF:FF:FF:FF	0x35	53
23:FF:FF:FF:FF:FF	0x36	54
13:FF:FF:FF:FF:FF	0x37	55
3D:FF:FF:FF:FF:FF	0x38	56
0D:FF:FF:FF:FF:FF	0x39	57

Table 29-49. Destination Address to 6-Bit Hash (Continued)

48-bit Destination Address	6-bit Hash (in Hex)	Hash Decimal Value
5D:FF:FF:FF:FF:FF	0x3A	58
7D:FF:FF:FF:FF:FF	0x3B	59
FD:FF:FF:FF:FF:FF	0x3C	60
DD:FF:FF:FF:FF:FF	0x3D	61
9D:FF:FF:FF:FF:FF	0x3E	62
BD:FF:FF:FF:FF:FF	0x3F	63

29.4.8 Full Duplex Flow Control

Full-duplex flow control allows the user to transmit pause frames and to detect received pause frames. Upon detection of a pause frame, MAC data frame transmission stops for a given pause duration.

To enable pause frame detection, the FEC must operate in full-duplex mode (TCR[FDEN] asserted) and flow control enable (RCR[FCE]) must be asserted. The FEC detects a pause frame when the fields of the incoming frame match the pause frame specifications, as shown in the table below. In addition, the receive status associated with the frame should indicate that the frame is valid.

Table 29-50. PAUSE Frame Field Specification

PAUSE Frame Fields	Register Contents
48-bit Destination Address	01:80:C2:00:00:01 or Physical Address
48-bit Source Address	Any
16-bit Type	0x8808
16-bit Opcode	0x0001
16-bit PAUSE Duration	0x0000 to 0xFFFF

Pause frame detection is performed by the receive module. The FEC runs an address recognition subroutine to detect the specified pause frame destination address, while the receiver detects the type and opcode pause frame fields. On detection of a pause frame, TCR[GTS] is asserted by the FEC internally. When transmission has paused, the EIR[GRA] interrupt is asserted and the pause timer begins to increment. The pause timer increments once every slot time (512 bit times), until OPD[PAUSE_DUR] slot times have expired. On OPD[PAUSE_DUR] expiration, TCR[GTS] is deasserted allowing MAC data frame transmission to resume. Note that the receive flow control pause (TCR[RFC_PAUSE]) status bit is asserted while the transmitter is paused due to reception of a pause frame.

To transmit a pause frame, the FEC must operate in full-duplex mode and the user must assert flow control pause (TCR[TFC_PAUSE]). On assertion of transmit flow control pause (TCR[TFC_PAUSE]), the transmitter asserts TCR[GTS] internally. When the transmission of data frames stops, the EIR[GRA] (graceful stop complete) interrupt asserts. Following EIR[GRA] assertion, the pause frame is transmitted. On completion of pause frame transmission, flow control pause (TCR[TFC_PAUSE]) and TCR[GTS] are deasserted internally.

During pause frame transmission, the transmit hardware places data into the transmit data stream from the registers shown in the table below.

Table 29-51. Transmit Pause Frame Registers

PAUSE Frame Fields	FEC Register	Register Contents
48-bit destination address	Internal	0x0180_C200_0001
48-bit Source Address	{PALR[31:0], PAHR[31:16]}	Physical Address
16-bit type	PAHR[15:0]	0x8808
16-bit opcode	OPD[31:16]	0x0001
16-bit PAUSE duration	OPD[15:0]	0x0000 to 0xFFFF

The user must specify the desired pause duration in the OPD register.

Note that when the transmitter is paused due to receiver/microcontroller pause frame detection, transmit flow control pause (TCR[TFC_PAUSE]) still may be asserted and will cause the transmission of a single pause frame. In this case, the EIR[GRA] interrupt will not be asserted.

29.4.9 Inter-Packet Gap (IPG) Time

The minimum inter-packet gap time for back-to-back transmission is 96 bit times. After completing a transmission or after the backoff algorithm completes, the transmitter waits for carrier sense to be negated before starting its 96 bit time IPG counter. Frame transmission may begin 96 bit times after carrier sense is negated if it stays negated for at least 60 bit times. If carrier sense asserts during the last 36 bit times, it will be ignored and a collision will occur.

The receiver receives back-to-back frames with a minimum spacing of at least 28 bit times. If an IPG between receive frames is less than 28 bit times, the following frame may be discarded by the receiver.

29.4.10 Collision Handling

If a collision occurs during frame transmission, the Ethernet controller will continue the transmission for at least 32 bit times, transmitting a JAM pattern consisting of 32 ones. If the collision occurs during the preamble sequence, the JAM pattern will be sent after the end of the preamble sequence.

If a collision occurs within 512 bit times, the retry process is initiated. The transmitter waits a random number of slot times. A slot time is 512 bit times. If a collision occurs after 512 bit times, then no retransmission is performed and the EIR[LC] bit is set.

29.4.11 Internal and External Loopback

Both internal and external loopback are supported by the Ethernet controller. In loopback mode, both of the FIFOs are used and the FEC actually operates in a full-duplex fashion. Both internal and external loopback are configured using combinations of the LOOP and DRT bits in the RCR register and the FDEN bit in the TCR register.

For both internal and external loopback set FDEN = 1.

For internal loopback set RCR[LOOP] = 1 and RCR[DRT] = 0. ETXEN and ETXER will not assert during internal loopback. During internal loopback, the transmit/receive data rate is higher than in normal operation because the internal system clock is used by the transmit and receive blocks instead of the clocks from the external transceiver. This will cause an increase in the required system bus bandwidth for transmit and receive data being DMA'd to/from external memory. It may be necessary to pace the frames on the

transmit side and/or limit the size of the frames to prevent transmit FIFO underrun and receive FIFO overflow.

For external loopback set $RCR[LOOP] = 0$, $RCR[DRT] = 0$ and configure the external transceiver for loopback.

29.4.12 Ethernet Error-Handling Procedure

The Ethernet controller reports frame reception and transmission error conditions using the receive frame status words (RFSWs), the EIR register, and the MIB block counters.

29.4.12.1 Transmission Errors

29.4.12.1.1 Transmitter Underrun

If this error occurs, the FEC sends 32 bits that ensure a CRC error and stops transmitting. The XFUN bit is set in the EIR. The FEC will then continue to the next transmit buffer descriptor and begin transmitting the next frame.

The XFUN interrupt will be asserted if enabled in the EIMR register.

29.4.12.1.2 Retransmission Attempts Limit Expired

When this error occurs, the FEC terminates transmission. The RL bit is set in the EIR. The FEC will then begin transmitting the next frame.

The “RL” interrupt will be asserted if enabled in the EIMR register.

29.4.12.1.3 Late Collision

When a collision occurs after the slot time (512 bits starting at the Preamble), the FEC terminates transmission. All remaining data in the frame is discarded, and the LC bit is set in the EIR register. The FEC will then continue to the next transmit buffer descriptor and begin transmitting the next frame.

The “LC” interrupt will be asserted if enabled in the EIMR register.

29.4.12.1.4 Heartbeat

Some transceivers have a self-test feature called “heartbeat” or “signal quality error.” To signify a good self-test, the transceiver indicates a collision to the FEC within 4 microseconds after completion of a frame transmitted by the Ethernet controller. This indication of a collision does not imply a real collision error on the network, but is rather an indication that the transceiver still seems to be functioning properly. This is called the heartbeat condition.

If the HBC bit is set in the TCR register and the heartbeat condition is not detected by the FEC after a frame transmission, then a heartbeat error occurs. When this error occurs, the FEC generates the HBERR interrupt if it is enabled.

29.4.12.2 Reception Errors

29.4.12.2.1 Overrun Error

If the receive block has data to put into the receive FIFO and the receive FIFO is full, the FEC sets the OV bit in the receive frame status word (RFSW). All subsequent data in the frame will be discarded and subsequent frames may also be discarded until the receive FIFO is serviced by the DMA and space is made available. At this point the RFSW is written into the FIFO with the OV bit set. This frame must be discarded by the driver.

29.4.12.2.2 Non-Octet Error (Dribbling Bits)

The Ethernet controller handles up to seven dribbling bits when the receive frame terminates past a non-octet aligned boundary. Dribbling bits are not used in the CRC calculation. If there is a CRC error, then the frame non-octet aligned (NO) error is reported in the RFSW. If there is no CRC error, then no error is reported.

29.4.12.2.3 CRC Error

When a CRC error occurs with no dribble bits, the FEC closes the buffer and sets the CR bit in the RFSW. CRC checking cannot be disabled, but the CRC error can be ignored if checking is not required.

29.4.12.2.4 Frame Length Violation

When the receive frame length exceeds MAX_FL bytes the BABR interrupt will be generated, and the LG bit in the RFSW will be set. The frame is not truncated unless the frame length exceeds 2047 bytes).

29.4.12.2.5 Truncation

When the receive frame length exceeds 2047 bytes the frame is truncated and the TR bit is set in the RFSW.

29.4.13 MII Data Frame

Ethernet/802.3 data frames transmitted across the MII have the following format:

<inter-frame><preamble><sfd><data><efd>

The *inter-frame* period is an unspecified amount of time during which no data activity occurs on the MII. The de-assertion of ERXDV and ETXEN indicate the absence of data activity.

The preamble begins a frame and has a bit value of the following:

10101010 10101010 10101010 10101010 10101010 10101010 10101010

The left-most 1 represents the LSB of the byte.

The *start of frame delimiter* (sfd) represents the start of a frame and has the bit value, 10101011.

The *data* portion of the frame consists of N octets which corresponds to 2N nibbles being transmitted. The order of each nibble is defined in the figure below.

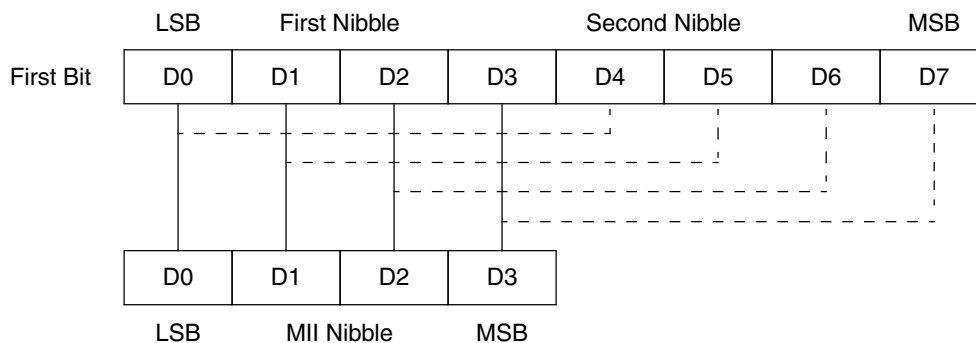


Figure 29-40. MII Nibble/Octet to Octet/Nibble Mapping

The *End-of-Frame* delimiter is indicated by the de-assertion of the ETXEN signal for data on ETXD. For data on ERXD, the de-assertion of ERXD \bar{V} constitutes an End-of-Frame delimiter.

29.4.14 MII Management Frame Structure

A transceiver management frame being transmitted on the MII management interface uses the EMDIO and EMDC signals. A transaction or frame on this serial interface has the following format:

<preamble><st><op><phyad><regad><ta><data><idle>

The (optional) *preamble* consists of a sequence of 32 continuous logic 1's.

The *start of frame* (*st*), is indicated by a <01> pattern.

The *operation code* (*op*) for a read instruction is <10>. For a write operation, the operation code is <01>.

The physical address (*phyad*) is a five bit field which allows for up to 32 PHYs to be addressed. The first address bit transmitted is the MSB of the address.

The register address (*regad*) is a five bit field which allows for 32 registers to be addressed within the each PHY. The first register bit transmitted is the MSB of the address.

The turnaround (*ta*) field is a two bit field which provides spacing between the register address field and the data field to avoid contention on the EMDIO signal during a read operation.

The *data* field is 16 bits wide. The first data bit transmitted and received is data bit 15.

During *idle* condition, EMDIO is in the high impedance state.

The MII management register set located in the PHY may consist of a basic register set and an extended register set as defined below.

Table 29-52. MII Management Register Set

Register Addr.	Register Name	Basic/Extended
0	Control	B
1	Status	B
2,3	PHY Identifier	E

Table 29-52. MII Management Register Set (Continued)

Register Addr.	Register Name	Basic/Extended
4	Auto-Negotiation (AN) Advertisement	E
5	AN Link Partner Ability	E
6	AN Expansion	E
7	AN Next Page Transmit	E
8-15	Reserved	E
16-31	Vendor Specific	E



THIS PAGE INTENTIONALLY LEFT BLANK

Part V

Mechanical

Part IV provides mechanical descriptions of the MCF547x.

Contents

- Chapter 30, “Mechanical Data,” provides a functional pin listing and package diagram for the MCF547x.



Chapter 30

Mechanical Data

This chapter contains drawings showing the pinout, packaging, and mechanical characteristics of the MCF547x. See the website <http://www.freescale.com/coldfire> for any updated information.

30.1 Package

The MCF547x is assembled in a 388-pin, thermally enhanced plastic BGA package.

30.2 Pinout

The MCF547x pinout is detailed in [Table 30-1](#), including the primary and alternate functions of multiplexed signals.

Table 30-1. MCF5475/MCF5474 Signal Description by Pin Number

MAPBGA Pin	Pin Functions				MAPBGA Pin	Pin Functions			
	Primary	GPIO	Secondary	Tertiary		Primary	GPIO	Secondary	Tertiary
A1	SDVDD	—	—	—	P1	SDCS1	—	—	—
A2	VSS	—	—	—	P2	SDCS2	—	—	—
A3	SDDM2	—	—	—	P3	EVDD	—	—	—
A4	SDDATA23	—	—	—	P4	IVDD	—	—	—
A5	SDDATA24	—	—	—	P11	VSS	—	—	—
A6	SDDATA27	—	—	—	P12	VSS	—	—	—
A7	SDDQS3	—	—	—	P13	VSS	—	—	—
A8	SDDATA29	—	—	—	P14	VSS	—	—	—
A9	SDADDR0	—	—	—	P15	VSS	—	—	—
A10	SDADDR3	—	—	—	P16	VSS	—	—	—
A11	SDADDR7	—	—	—	P23	PCIAD19	—	FBADDR19	—
A12	SDADDR11	—	—	—	P24	PCIAD20	—	FBADDR20	—
A13	SDADDR12	—	—	—	P25	PCIAD18	—	FBADDR18	—
A14	IRQ5	PIRQ5	—	—	P26	PCIAD21	—	FBADDR21	—
A15	DSI	—	TDI	—	R1	FBCS5	PFBCS5	—	—
A16	TCK	—	—	—	R2	SDCS3	—	—	—
A17	CLKIN	—	—	—	R3	EVDD	—	—	—

¹This pin is a “no connect” on the MCF5473 and MCF5472 devices.

²This pin is a “no connect” on the MCF5471 and MCF5470 devices.

³This pin is a “no connect” on the MCF5471 and MCF5470 devices. On MCF5475, MCF5474, MCF5473, and MCF5472 device the pin should be connected to the appropriate power rail even if USB is not being used.

Table 30-1. MCF5475/MCF5474 Signal Description by Pin Number (Continued)

MAPBGA Pin	Pin Functions				MAPBGA Pin	Pin Functions			
	Primary	GPIO	Secondary	Tertiary		Primary	GPIO	Secondary	Tertiary
A18	MTMOD1	—	—	—	R4	VSS	—	—	—
A19	PLLVDD	—	—	—	R11	VSS	—	—	—
A20	RSTO	—	—	—	R12	VSS	—	—	—
A21	PSTDDATA1	—	—	—	R13	VSS	—	—	—
A22	PSTDDATA3	—	—	—	R14	VSS	—	—	—
A23	PSTDDATA7	—	—	—	R15	VSS	—	—	—
A24	PCIBR0	PPCIBR0	TIN0	—	R16	VSS	—	—	—
A25	PCIBR2	PPCIBR2	TIN2	—	R23	IVDD	—	—	—
A26 ¹	E1RXD1	PFEC1L5	—	—	R24	PCIAD24	—	FBADDR24	—
B1	SDVDD	—	—	—	R25	PCIAD23	—	FBADDR23	—
B2	VSS	—	—	—	R26	PCIAD22	—	FBADDR22	—
B3	SDDATA18	—	—	—	T1	FBCS2	PFBCS2	—	—
B4	SDDATA20	—	—	—	T2	FBCS4	PFBCS4	—	—
B5	SDDQS2	—	—	—	T3	FBCS3	PFBCS3	—	—
B6	SDDATA21	—	—	—	T4	AD1	—	—	—
B7	SDDATA25	—	—	—	T11	VSS	—	—	—
B8	SDDM3	—	—	—	T12	VSS	—	—	—
B9	SDDATA30	—	—	—	T13	VSS	—	—	—
B10	SDADDR1	—	—	—	T14	VSS	—	—	—
B11	SDADDR5	—	—	—	T15	VSS	—	—	—
B12	SDADDR9	—	—	—	T16	VSS	—	—	—
B13	RSTI	—	—	—	T23	VSS	—	—	—
B14	IRQ6	PIRQ6	—	—	T24	PCIAD27	—	FBADDR27	—
B15	BKPT	—	TMS	—	T25	PCIAD26	—	FBADDR26	—
B16	MTMOD0	—	—	—	T26	PCIAD25	—	FBADDR25	—
B17	MTMOD3	—	—	—	U1	FBCS0	—	—	—
B18	PLLVSS	—	—	—	U2	FBCS1	PFBCS1	—	—
B19	PSTDDATA0	—	—	—	U3	AD0	—	—	—

¹This pin is a “no connect” on the MCF5473 and MCF5472 devices.

²This pin is a “no connect” on the MCF5471 and MCF5470 devices.

³This pin is a “no connect” on the MCF5471 and MCF5470 devices. On MCF5475, MCF5474, MCF5473, and MCF5472 device the pin should be connected to the appropriate power rail even is USB is not being used.

Table 30-1. MCF5475/MCF5474 Signal Description by Pin Number (Continued)

MAPBGA Pin	Pin Functions				MAPBGA Pin	Pin Functions			
	Primary	GPIO	Secondary	Tertiary		Primary	GPIO	Secondary	Tertiary
B20	PSTDDATA2	—	—	—	U4	VSS	—	—	—
B21	PSTDDATA6	—	—	—	U23	VSS	—	—	—
B22 ¹	E1RXCLK	PFEC1H3	—	—	U24	EVDD	—	—	—
B23	PCIBR1	PPCIBR1	TIN1	—	U25	PCIAD29	—	FBADDR29	—
B24	PCIBR3	PPCIBR3	TIN3	—	U26	PCIAD28	—	FBADDR28	—
B25 ¹	E1RXDV	PFEC1H2	—	—	V1	AD3	—	—	—
B26 ¹	E1RXD2	PFEC1L2	—	—	V2	AD2	—	—	—
C1	SDVDD	—	—	—	V3	AD4	—	—	—
C2	CAS	—	—	—	V4	IVDD	—	—	—
C3	VSS	—	—	—	V23	DSPICS3	PDSP15	TOUT3	—
C4	SDDATA17	—	—	—	V24	PCIBG1	PPCIBG1	TOUT1	—
C5	SDDATA19	—	—	—	V25	PCIAD31	—	FBADDR31	—
C6	SDVDD	—	—	—	V26	PCIAD30	—	FBADDR30	—
C7	SDDATA22	—	—	—	W1	AD6	—	—	—
C8	SDDATA26	—	—	—	W2	AD5	—	—	—
C9	SDVDD	—	—	—	W3	AD7	—	—	—
C10	SDDATA31	—	—	—	W4	AD13	—	—	—
C11	SDADDR4	—	—	—	W23	DSPICS5/PCSS	PDSP16	—	—
C12	SDADDR8	—	—	—	W24	PCIBG4	PPCIBG4	TBST	—
C13	SDVDD	—	—	—	W25	PCIBG2	PPCIBG2	TOUT2	—
C14	MTMOD2	—	—	—	W26	PCIBG0	PPCIBG0	TOUT0	—
C15	DSCLK	—	TRST	—	Y1	AD9	—	—	—
C16	EVDD	—	—	—	Y2	AD8	—	—	—
C17	VSS	—	—	—	Y3	EVDD	—	—	—
C18	IVDD	—	—	—	Y4	VSS	—	—	—
C19	VSS	—	—	—	Y23	PSC1RTS	PPSCL7	PSC1FSYNC	—
C20	PSTDDATA4	—	—	—	Y24	DSPISOUT	PDSP10	PSC3TXD	—
C21	VSS	—	—	—	Y25	DSPICS0/SS	PDSP13	—	—

¹This pin is a “no connect” on the MCF5473 and MCF5472 devices.

²This pin is a “no connect” on the MCF5471 and MCF5470 devices.

³This pin is a “no connect” on the MCF5471 and MCF5470 devices. On MCF5475, MCF5474, MCF5473, and MCF5472 device the pin should be connected to the appropriate power rail even is USB is not being used.

Table 30-1. MCF5475/MCF5474 Signal Description by Pin Number (Continued)

MAPBGA Pin	Pin Functions				MAPBGA Pin	Pin Functions			
	Primary	GPIO	Secondary	Tertiary		Primary	GPIO	Secondary	Tertiary
C22	EVDD	—	—	—	Y26	$\overline{\text{PCIBG3}}$	PPCIBG3	TOUT3	—
C23	PCIIDSEL	—	—	—	AA1	AD10	—	—	—
C24	SDA	PFECI2C1	—	—	AA2	AD11	—	—	—
C25	$\overline{\text{SCL}}$	PFECI2C0	—	—	AA3	AD14	—	—	—
C26	$\overline{\text{PCITRDY}}$	—	—	—	AA4	AD19	—	—	—
D1	SDDATA14	—	—	—	AA23	$\overline{\text{IVDD}}$	—	—	—
D2	VREF	—	—	—	AA24	$\overline{\text{EVDD}}$	—	—	—
D3	SDVDD	—	—	—	AA25	$\overline{\text{PCS0TXD}}$	PPSCL0	—	—
D4	$\overline{\text{SDDATA16}}$	—	—	—	AA26	DSPICS2	PDSPi4	TOUT2	—
D5	SDDATA28	—	—	—	AB1	AD12	—	—	—
D6	$\overline{\text{VSS}}$	—	—	—	AB2	AD15	—	—	—
D7	SDADDR2	—	—	—	AB3	EVDD	—	—	—
D8	SDADDR6	—	—	—	AB4	VSS	—	—	—
D9	VSS	—	—	—	AB23	$\overline{\text{PSC3RTS}}$	PPSCH7	PSC3FSYNC	—
D10	SDADDR10	—	—	—	AB24	$\overline{\text{DACK0}}$	PDMA2	TOUT0	—
D11	IVDD	—	—	—	AB25	PSC1TXD	PPSCL4	—	—
D12	IVDD	—	—	—	AB26	$\overline{\text{PSC0RTS}}$	$\overline{\text{PPSCL3}}$	PSC0FSYNC	—
D13	VSS	—	—	—	AC1	$\overline{\text{AD17}}$	—	—	—
D14	$\overline{\text{IRQ7}}$	PIRQ7	—	—	AC2	$\overline{\text{AD20}}$	—	—	—
D15	NC	—	—	—	AC3	AD22	—	—	—
D16	VSS	—	—	—	AC4	$\overline{\text{BE/BWE1}}$	PFBCTL5	FBADDR1	—
D17	DSO	—	TDO	—	AC5 ¹	$\overline{\text{E1CRS}}$	PFEC1H0	—	—
D18	PSTDDATA5	—	—	—	AC6	$\overline{\text{E0TXD2}}$	PFEC0L6	—	—
D19	IVDD	—	—	—	AC7	VSS	—	—	—
D20	PSTCLK	—	—	—	AC8 ¹	E1TXD3	PFEC1L7	—	—
D21	$\overline{\text{PCIBR4}}$	PPCIBR4	$\overline{\text{IRQ4}}$	—	AC9	E0COL	PFEC0H4	—	—
D22	IVDD	—	—	—	AC10	VSS	—	—	—
D23	VSS	—	—	—	AC11 ¹	E1TXD2	PFEC1L6	—	—

¹This pin is a “no connect” on the MCF5473 and MCF5472 devices.

²This pin is a “no connect” on the MCF5471 and MCF5470 devices.

³This pin is a “no connect” on the MCF5471 and MCF5470 devices. On MCF5475, MCF5474, MCF5473, and MCF5472 device the pin should be connected to the appropriate power rail even is USB is not being used.

Table 30-1. MCF5475/MCF5474 Signal Description by Pin Number (Continued)

MAPBGA Pin	Pin Functions				MAPBGA Pin	Pin Functions			
	Primary	GPIO	Secondary	Tertiary		Primary	GPIO	Secondary	Tertiary
D24	PCIIRDY	—	—	—	AC12	IVDD	—	—	—
D25 ¹	E1RXD3 ¹	PFEC1L3	—	—	AC13 ³	USB_OSCVDD	—	—	—
D26	PCIPERR	—	—	—	AC14	E0RXER	PFEC0L0	—	—
E1	SDDATA12	—	—	—	AC15	NC	—	—	—
E2	SDDATA15	—	—	—	AC16 ³	USB_PHYVDD	—	—	—
E3	RAS	—	—	—	AC17 ²	USBVBUS	—	—	—
E4	SDCKE	—	—	—	AC18	VSS	—	—	—
E23	VSS	—	—	—	AC19	PSC2CTS	PPSCH2	PSC2BCLK	—
E24	EVDD	—	—	—	AC20	IVDD	—	—	—
E25	PCISTOP	—	—	—	AC21	PSC0RXD	PPSCL1	—	—
E26	PCICXBE1	—	—	—	AC22	TOUT2	PTIM4	—	—
F1	SDDATA10	—	—	—	AC23	TOUT1	—	—	—
F2	SDDQS1	—	—	—	AC24	DSPISIN	PDSP11	PSC3RXD	—
F3	SDVDD	—	—	—	AC25	DACK1	PDMA3	TOUT1	—
F4	VSS	—	—	—	AC26	PSC2TXD	PPSCH0	—	—
F23	PCIPAR	—	—	—	AD1	AD16	—	—	—
F24	PCISERR	—	—	—	AD2	AD21	—	—	—
F25	PCIFRM	—	—	—	AD3	AD23	—	—	—
F26	PCICXBE3	—	—	—	AD4	AD24	—	—	—
G1	SDDATA6	—	—	—	AD5	AD26	—	—	—
G2	SDDATA9	—	—	—	AD6	ALE	PFBCTL0	TBST	—
G3	SDDM1	—	—	—	AD7	EVDD	—	—	—
G4	SDDATA13	—	—	—	AD8	E0TXD3	PFEC0L7	—	—
G23	PCIRESET	—	—	—	AD9	E0TXD0	PFEC0H5	—	—
G24	PCICXBE0	—	—	—	AD10	EVDD	—	—	—
G25	PCICXBE2	—	—	—	AD11	E0MDC	PFECI2C2	—	—
G26	PCIAD2	—	FBADDR2	—	AD12	VSS	—	—	—
H1	SDDQS0	—	—	—	AD13	E0RXD0	PFEC0H1	—	—

¹This pin is a “no connect” on the MCF5473 and MCF5472 devices.

²This pin is a “no connect” on the MCF5471 and MCF5470 devices.

³This pin is a “no connect” on the MCF5471 and MCF5470 devices. On MCF5475, MCF5474, MCF5473, and MCF5472 device the pin should be connected to the appropriate power rail even is USB is not being used.

Table 30-1. MCF5475/MCF5474 Signal Description by Pin Number (Continued)

MAPBGA Pin	Pin Functions				MAPBGA Pin	Pin Functions			
	Primary	GPIO	Secondary	Tertiary		Primary	GPIO	Secondary	Tertiary
H2	SDDATA5	—	—	—	AD14	E0RXLK	PFEC0H3	—	—
H3	SDDATA8	—	—	—	AD15 ³	USB_OSCAVD D	—	—	—
H4	IVDD	—	—	—	AD16 ³	USB_PLLVDD	—	—	—
H23	IVDD	—	—	—	AD17	VSS	—	—	—
H24	EVDD	—	—	—	AD18	EVDD	—	—	—
H25	PCIAD1	—	FBADDR1	—	AD19	TIN3	PTIM3	$\overline{\text{IRQ3}}$	—
H26	PCIAD4	—	FBADDR4	—	AD20	VSS	—	—	—
J1	SDDATA3	—	—	—	AD21	PSC2RXD	PPSCH1	—	—
J2	SDDM0	—	—	—	AD22	DSPISCK	PDSPi2	$\overline{\text{PSC3CTS}}$	PSC3BCLK
J3	SDDATA4	—	—	—	AD23	TOUT3	PTIM6	—	—
J4	VSS	—	—	—	AD24 ¹	E1MDC	—	SCL	—
J23	$\overline{\text{PCIDEVSEL}}$	—	—	—	AD25 ¹	E1TXEN	PFEC1H6	—	—
J24	PCIAD3	—	FBADDR3	—	AD26	$\overline{\text{PSC2RTS}}$	PPSCH3	PSC2FSYNC	—
J25	PCIAD5	—	FBADDR5	—	AE1	AD18	—	—	—
J26	PCIAD7	—	FBADDR7	—	AE2	AD31	—	—	—
K1	$\overline{\text{SDWE}}$	—	—	—	AE3	AD28	—	—	—
K2	SDDATA0	—	—	—	AE4	AD27	—	—	—
K3	SDDATA1	—	—	—	AE5	R/ $\overline{\text{W}}$	PFBCTL2	$\overline{\text{TBST}}$	—
K4	SDDATA11	—	—	—	AE6	$\overline{\text{OE}}$	PFBCTL3	—	—
K23	PCIAD0	—	FBADDR0	—	AE7	$\overline{\text{BE/BWE0}}$	PFBCTL4	FBADDR0	—
K24	PCIAD6	—	FBADDR6	—	AE8 ¹	E1RXER	PFEC1L0	—	—
K25	PCIAD8	—	FBADDR8	—	AE9	E0TXER	PFEC0L4	—	—
K26	PCIAD9	—	FBADDR9	—	AE10	E0TXEN	PFEC0H6	—	—
L1	SDCLK1	—	—	—	AE11 ¹	E1TXD1	PFEC1L5	—	—
L2	SDRDQS	—	—	—	AE12 ¹	E1TXD0	PFEC1h5	—	—
L3	SDVDD	—	—	—	AE13 ¹	E1TXCLK	PFEC1H7	—	—
L4	VSS	—	—	—	AE14	E0RXDV	PFEC1H2	—	—
L11	VSS	—	—	—	AE15	VSS	—	—	—

¹This pin is a “no connect” on the MCF5473 and MCF5472 devices.

²This pin is a “no connect” on the MCF5471 and MCF5470 devices.

³This pin is a “no connect” on the MCF5471 and MCF5470 devices. On MCF5475, MCF5474, MCF5473, and MCF5472 device the pin should be connected to the appropriate power rail even is USB is not being used.

Table 30-1. MCF5475/MCF5474 Signal Description by Pin Number (Continued)

MAPBGA Pin	Pin Functions				MAPBGA Pin	Pin Functions			
	Primary	GPIO	Secondary	Tertiary		Primary	GPIO	Secondary	Tertiary
L12	VSS	—	—	—	AE16	VSS	—	—	—
L13	VSS	—	—	—	AE17	VSS	—	—	—
L14	VSS	—	—	—	AE18 ³	USBVDD	—	—	—
L15	VSS	—	—	—	AE19	E0CRS	PFEC0H0	—	—
L16	VSS	—	—	—	AE20	TIN1	—	—	—
L23	IVDD	—	—	—	AE21	PSC3RXD	PPSCH5	—	—
L24	VSS	—	—	—	AE22	PSC1RXD	PPSCL5	—	—
L25	PCIAD10	—	FBADDR10	—	AE23	PSC0CTS	PPSCL2	PSC0BCLK	—
L26	PCIAD11	—	FBADDR11	—	AE24 ¹	E1TXER	PFEC1L4	—	—
M1	SDCLK1	—	—	—	AE25 ¹	E1MDIO	—	SCL	—
M2	SDBA1	—	—	—	AE26	PSC3TXD	PPSCH4	—	—
M3	SDBA0	—	—	—	AF1	AD29	—	—	—
M4	SDDATA2	—	—	—	AF2	AD25	—	—	—
M11	VSS	—	—	—	AF3	AD30	—	—	—
M12	VSS	—	—	—	AF4	BE/BWE3	PFBCTL7	TSIZ1	—
M13	VSS	—	—	—	AF5	BE/BWE2	PFBCTL6	TSIZ0	—
M14	VSS	—	—	—	AF6	TA	PFBCTL1	—	—
M15	VSS	—	—	—	AF7	E0TXD1	PFEC0L5	—	—
M16	VSS	—	—	—	AF8 ¹	E1COL	PFEC1H4	—	—
M23	VSS	—	—	—	AF9	E0TXCLK	PFEC0H7	—	—
M24	EVDD	—	—	—	AF10	E0MDIO	PFECI2C3	—	—
M25	PCIAD12	—	FBADDR12	—	AF11	E0RXD3	PFEC0L3	—	—
M26	PCIAD13	—	FBADDR13	—	AF12	E0RXD2	PFEC0L2	—	—
N1	SDCLK0	—	—	—	AF13	E0RXD1	PFEC0L1	—	—
N2	SDCLK0	—	—	—	AF14 ²	USBCLKOUT	—	—	—
N3	SDCS0	—	—	—	AF15 ²	USBCLKIN	—	—	—
N4	SDDATA7	—	—	—	AF16 ²	USB+	—	—	—
N11	VSS	—	—	—	AF17 ²	USB-	—	—	—

¹This pin is a “no connect” on the MCF5473 and MCF5472 devices.

²This pin is a “no connect” on the MCF5471 and MCF5470 devices.

³This pin is a “no connect” on the MCF5471 and MCF5470 devices. On MCF5475, MCF5474, MCF5473, and MCF5472 device the pin should be connected to the appropriate power rail even is USB is not being used.

Table 30-1. MCF5475/MCF5474 Signal Description by Pin Number (Continued)

MAPBGA Pin	Pin Functions				MAPBGA Pin	Pin Functions			
	Primary	GPIO	Secondary	Tertiary		Primary	GPIO	Secondary	Tertiary
N12	VSS	—	—	—	AF18	USBRBIAS	—	—	—
N13	VSS	—	—	—	AF19	DREQ1	PDMA1	TIN1	IRQ1
N14	VSS	—	—	—	AF20	DREQ0	PDMA0	TIN0	—
N15	VSS	—	—	—	AF21	TIN2	PTIM5	IRQ2	—
N16	VSS	—	—	—	AF22	TIN0	—	—	—
N23	PCIAD16	—	FBADDR16	—	AF23	PSC3CTS	PPSCH6	PSC3BCLK	—
N24	PCIAD14	—	FBADDR14	—	AF24 ¹	E1RXD0	PFEC1H1	—	—
N25	PCIAD17	—	FBADDR17	—	AF25	PSC1CTS	PPSCL6	PSC1BCLK	—
N26	PCIAD15	—	FBADDR15	—	AF26	TOUT0	—	—	—

¹This pin is a “no connect” on the MCF5473 and MCF5472 devices.

²This pin is a “no connect” on the MCF5471 and MCF5470 devices.

³This pin is a “no connect” on the MCF5471 and MCF5470 devices. On MCF5475, MCF5474, MCF5473, and MCF5472 device the pin should be connected to the appropriate power rail even is USB is not being used.

30.3 Mechanical Diagrams

30.3.1 MCF5475/5474 Mechanical Diagram

Figure 30-1–Figure 30-4 show the pinout for the each quadrant of the MCF5475/MCF5474 388 MAPBGA package. Figure 30-1 shows the pinout for the upper left quadrant.

	1	2	3	4	5	6	7	8	9	10	11	12	13
A	SDVDD	VSS	SDDM2	SDDAT A23	SDDAT A24	SDDAT A27	SDDQS 3	SDDAT A29	SDADD R0	SDADD R3	SDADD R7	SDADD R11	SDADD R12
B	SDVDD	VSS	SDDDA TA18	SDDAT A20	$\overline{\text{SDDQS}}$ 2	$\overline{\text{SDDAT}}$ A21	SDDAT A25	SDDM3	SDDAT A30	SDADD R1	SDADD R5	SDADD R9	$\overline{\text{RSTI}}$
C	SDVDD	$\overline{\text{CAS}}$	VSS	SDDAT A17	SDDAT A19	$\overline{\text{SDVDD}}$	SDDAT A22	SDDAT A26	SDVDD	SDDAT A31	SDADD R4	SDADD R8	SDVDD
D	SDDAT A14	VREF	SDVDD	$\overline{\text{SDDAT}}$ A16	SDDAT A28	$\overline{\text{VSS}}$	SDADD R2	SDADD R6	VSS	SDADD R10	IVDD	IVDD	VSS
E	SDDAT A12	SDDAT A15	$\overline{\text{RAS}}$	SDCKE									
F	SDDDA TA10	SDDQS 1	SDVDD	VSS									
G	SDDAT A6	SDDAT A9	SDDM1	SDDAT A13									
H	SDDQS 0	SDDAT A5	SDDAT A8	IVDD									
J	SDDAT A3	SDDM0	SDDAT A4	VSS									
K	$\overline{\text{SDWE}}$	SDDAT A0	SDDAT A1	SDDAT A11									
L	SDCLK 1	SDRDQ S	SDVDD	VSS							VSS	VSS	VSS
M	$\overline{\text{SDCLK}}$ 1	SDBA1	SDBA0	SDDAT A2							VSS	VSS	VSS
N	SDCLK 0	$\overline{\text{SDCLK}}$ 0	$\overline{\text{SDCS0}}$	SDDAT A7							VSS	VSS	VSS

Figure 30-1. MCF5475/5474 Upper Left Quadrant Pinout (388 MAPBGA)

Figure 30-2 shows the pinout for the upper right quadrant of the MCF5475/MCF5474 pinout for the 388 MAPBGA package.

	14	15	16	17	18	19	20	21	22	23	24	25	26
A	IRQ5	DSI/TDI	TCK	CLKIN	MTMOD 1	PLLVD	RSTO	PSTDD ATA1	PSTDD ATA3	PSTDD ATA7	PCIBR0	PCIBR2	E1RXD 1
B	IRQ6	BKPT/T MS	MTMOD 0	MTMOD 3	PLLVSS	PSTDD ATA0	PSTDD ATA2	PSTDD ATA6	E1RXC LK	PCIBR1	PCIBR3	E1RXD V	E1RXD 2
C	MTMOD 2	DSCLK/ TRST	EVDD	VSS	IVDD	VSS	PSTDD ATA4	VSS	EVDD	PCIIDS EL	SDA	SCL	PCITRD Y
D	IRQ7	NC	VSS	DSO/TD O	PSTDD ATA5	IVDD	PSTCL K	PCIBR4	IVDD	VSS	PCIIRD Y	E1RXD 3	PCIPER R
E										VSS	EVDD	PCISTO P	PCICXB E1
F										PCIPAR	PCISER R	PCIFR M	PCICXB E3
G										PCIRES ET	PCICXB E0	PCICXB E2	PCIAD2
H										IVDD	EVDD	PCIAD1	PCIAD4
J										PCIDEV SEL	PCIAD3	PCIAD5	PCIAD7
K										PCIAD0	PCIAD6	PCIAD8	PCIAD9
L	VSS	VSS	VSS							IVDD	VSS	PCIAD1 0	PCIAD1 1
M	VSS	VSS	VSS							VSS	EVDD	PCIAD1 2	PCIAD1 3
N	VSS	VSS	VSS							PCIAD1 6	PCIAD1 4	PCIAD1 7	PCIAD1 5

Figure 30-2. MCF5475/5474 Upper Right Quadrant Pinout (388 MAPBGA)

Figure 30-3 shows the pinout for the lower left quadrant of the MCF5475/MCF5474 pinout for the 388 MAPBGA package.

	1	2	3	4	5	6	7	8	9	10	11	12	13
P	SDCS1	SDCS2	SDVDD	IVDD							VSS	VSS	VSS
R	FBCS5	SDCS3	EVDD	VSS							VSS	VSS	VSS
T	FBCS2	FBCS4	FBCS3	AD1							VSS	VSS	VSS
U	FBCS0	FBCS1	AD0	VSS									
V	AD3	AD2	AD4	IVDD									
W	AD6	AD5	AD7	AD13									
Y	AD9	AD8	EVDD	VSS									
A A	AD10	AD11	AD14	AD19									
A B	AD12	AD15	EVDD	VSS									
A C	AD17	AD20	AD22	$\overline{\text{BE}}/\overline{\text{BW}}/\overline{\text{E1}}$	E1CRS	E0TXD 2	VSS	E1TXD 3	E0COL	VSS	E1TXD 2	IVDD	USB_OS CVDD
A D	AD16	AD21	AD23	AD24	AD26	$\overline{\text{ALE}}$	EVDD	E0TXD 3	E0TXD 0	EVDD	E0MDC	VSS	E0RXD0
A E	AD18	AD31	AD28	AD27	R/W	$\overline{\text{OE}}$	$\overline{\text{BE}}/\overline{\text{BW}}/\overline{\text{E0}}$	E1RXE R	E0TXE R	E0TXE N	E1TXD 1	E1TXD 0	E1TXCL K
A F	AD29	$\overline{\text{AD25}}$	AD30	$\overline{\text{BE}}/\overline{\text{BW}}/\overline{\text{E3}}$	$\overline{\text{BE}}/\overline{\text{BW}}/\overline{\text{E2}}$	$\overline{\text{TA}}$	E0TXD 1	E1COL	E0TXC LK	E0MDI O	E0RXD 3	E0RXD 2	E0RXD1

Figure 30-3. MCF5475/5474 Lower Left Quadrant Pinout (388 MAPBGA)

Figure 30-4 shows the pinout for the lower left quadrant of the MCF5475/MCF5474 pinout for the 388 MAPBGA package.

	14	15	16	17	18	19	20	21	22	23	24	25	26
P	VSS	VSS	VSS							PCIAD 19	PCIAD 20	PCIAD 18	PCIAD 21
R	VSS	VSS	VSS							IVDD	PCIAD 24	PCIAD 23	PCIAD 22
T	VSS	VSS	VSS							VSS	PCIAD 27	PCIAD 26	PCIAD 25
U										VSS	EVDD	PCIAD 29	PCIAD 28
V										DSPIC S3	PCIBG 1	PCIAD 31	PCIBG 30
W										DSPIC S5/PCS S	PCIBG 4	PCIBG 2	PCIBG 0
Y										PSC1R TS	DSPIS OUT	DSPIC S0/SS	PCIBG 3
AA										IVDD	EVDD	PSC0T XD	DSPIC S2
AB										PSC3R TS	DACK0	PSC1T XD	PSC0R TS
AC	E0RXE R	NC	USB_P HYVDD	USBV US	VSS	PSC2C TS	IVDD	PSC0R XD	TOUT2	TOUT1	DSPISI N	DACK1	PSC2T XD
AD	E0RXC LK	USB_O SCAVD D	USB_P LLVDD	VSS	EVDD	TIN3	VSS	PSC2R XD	DSPIS CK	TOUT3	E1MDC	E1TXE N	PSC2R TS
AE	E0RXD V	VSS	VSS	VSS	USBV D	E0CRS	TIN1	PSC3R XD	PSC1R XD	PSC0C TS	E1TXE R	E1MDI O	PSC3T XD
AF	USBCL KOUT	USBCL KIN	USB D+	USB D-	USB RB IAS	DREQ1	DREQ0	TIN2	TIN0	PSC3C TS	E1RXD 0	PSC1C TS	TOUT0

Figure 30-4. MCF5475/5474 Lower Right Quadrant Pinout (388 MAPBGA)

30.3.2 MCF5473/5472 Mechanical Diagram

Figure 30-5–Figure 30-8 show the pinout for the each quadrant of the MCF5473/MCF5472 388 MAPBGA package. Figure 30-5 shows the pinout for the upper left quadrant.

	1	2	3	4	5	6	7	8	9	10	11	12	13
A	SDVDD	VSS	SDDM2	SDDAT A23	SDDAT A24	SDDAT A27	SDDQS 3	SDDAT A29	SDADD R0	SDADD R3	SDADD R7	SDADD R11	SDADD R12
B	SDVDD	VSS	SDDDA TA18	SDDAT A20	$\overline{\text{SDDQS}}$ 2	$\overline{\text{SDDAT}}$ A21	SDDAT A25	SDDM3	SDDAT A30	SDADD R1	SDADD R5	SDADD R9	$\overline{\text{RSTI}}$
C	SDVDD	$\overline{\text{CAS}}$	VSS	SDDAT A17	SDDAT A19	$\overline{\text{SDVDD}}$	SDDAT A22	SDDAT A26	SDVDD	SDDAT A31	SDADD R4	SDADD R8	SDVDD
D	SDDAT A14	VREF	SDVDD	$\overline{\text{SDDAT}}$ A16	SDDAT A28	$\overline{\text{VSS}}$	SDADD R2	SDADD R6	VSS	SDADD R10	IVDD	IVDD	VSS
E	SDDAT A12	SDDAT A15	$\overline{\text{RAS}}$	SDCKE									
F	SDDDA TA10	SDDQS 1	SDVDD	VSS									
G	SDDAT A6	SDDAT A9	SDDM1	SDDAT A13									
H	SDDQS 0	SDDAT A5	SDDAT A8	IVDD									
J	SDDAT A3	SDDM0	SDDAT A4	VSS									
K	$\overline{\text{SDWE}}$	SDDAT A0	SDDAT A1	SDDAT A11									
L	SDCLK 1	SDRDQ S	SDVDD	VSS							VSS	VSS	VSS
M	$\overline{\text{SDCLK}}$ 1	SDBA1	SDBA0	SDDAT A2							VSS	VSS	VSS
N	SDCLK 0	$\overline{\text{SDCLK}}$ 0	$\overline{\text{SDCS0}}$	SDDAT A7							VSS	VSS	VSS

Figure 30-5. MCF5473/5472 Upper Left Quadrant Pinout (388 MAPBGA)

Figure 30-6 shows the pinout for the upper right quadrant of the MCF5473/MCF5472 pinout for the 388 MAPBGA package.

	14	15	16	17	18	19	20	21	22	23	24	25	26
A	IRQ5	DSI/TDI	TCK	CLKIN	MTMOD 1	PLLVD	RSTO	PSTDD ATA1	PSTDD ATA3	PSTDD ATA7	PCIBR0	PCIBR2	NC
B	IRQ6	BKPT/T MS	MTMOD 0	MTMOD 3	PLLVD	PSTDD ATA0	PSTDD ATA2	PSTDD ATA6	NC	PCIBR1	PCIBR3	NC	NC
C	MTMOD 2	DSCLK/ TRST	EVDD	VSS	IVDD	VSS	PSTDD ATA4	VSS	EVDD	PCIIDS EL	SDA	SCL	PCITRD Y
D	IRQ7	NC	VSS	DSO/TD O	PSTDD ATA5	IVDD	PSTCL K	PCIBR4	IVDD	VSS	PCIIRD Y	NC	PCIPER R
E										VSS	EVDD	PCISTO P	PCICXB E1
F										PCIPAR	PCISER R	PCIFR M	PCICXB E3
G										PCIRES ET	PCICXB E0	PCICXB E2	PCIAD2
H										IVDD	EVDD	PCIAD1	PCIAD4
J										PCIDEV SEL	PCIAD3	PCIAD5	PCIAD7
K										PCIAD0	PCIAD6	PCIAD8	PCIAD9
L	VSS	VSS	VSS							IVDD	VSS	PCIAD1 0	PCIAD1 1
M	VSS	VSS	VSS							VSS	EVDD	PCIAD1 2	PCIAD1 3
N	VSS	VSS	VSS							PCIAD1 6	PCIAD1 4	PCIAD1 7	PCIAD1 5

Figure 30-6. MCF5473/5472 Upper Right Quadrant Pinout (388 MAPBGA)

Figure 30-7 shows the pinout for the lower left quadrant of the MCF5473/MCF5472 pinout for the 388 MAPBGA package.

	1	2	3	4	5	6	7	8	9	10	11	12	13
P	SDCS1	SDCS2	SDVDD	IVDD							VSS	VSS	VSS
R	FBCS5	SDCS3	EVDD	VSS							VSS	VSS	VSS
T	FBCS2	FBCS4	FBCS3	AD1							VSS	VSS	VSS
U	FBCS0	FBCS1	AD0	VSS									
V	AD3	AD2	AD4	IVDD									
W	AD6	AD5	AD7	AD13									
Y	AD9	AD8	EVDD	VSS									
A A	AD10	AD11	AD14	AD19									
A B	AD12	AD15	EVDD	VSS									
A C	AD17	AD20	AD22	$\overline{\text{BE}}/\overline{\text{BW}}/\overline{\text{E1}}$	NC	E0TXD 2	VSS	NC	E0COL	VSS	NC	IVDD	USB_OS CVDD
A D	AD16	AD21	AD23	AD24	AD26	$\overline{\text{ALE}}$	EVDD	E0TXD 3	E0TXD 0	EVDD	E0MDC	VSS	E0RXD0
A E	AD18	AD31	AD28	AD27	R/W	$\overline{\text{OE}}$	$\overline{\text{BE}}/\overline{\text{BW}}/\overline{\text{E0}}$	NC	E0TXE R	E0TXE N	NC	NC	NC
A F	AD29	$\overline{\text{AD25}}$	AD30	$\overline{\text{BE}}/\overline{\text{BW}}/\overline{\text{E3}}$	$\overline{\text{BE}}/\overline{\text{BW}}/\overline{\text{E2}}$	$\overline{\text{TA}}$	E0TXD 1	NC	E0TXC LK	E0MDI O	E0RXD 3	E0RXD 2	E0RXD1

Figure 30-7. MCF5473/5472 Lower Left Quadrant Pinout (388 MAPBGA)

Figure 30-8 shows the pinout for the lower left quadrant of the MCF5473/MCF5472 pinout for the 388 MAPBGA package.

	14	15	16	17	18	19	20	21	22	23	24	25	26
P	VSS	VSS	VSS							PCIAD 19	PCIAD 20	PCIAD 18	PCIAD 21
R	VSS	VSS	VSS							IVDD	PCIAD 24	PCIAD 23	PCIAD 22
T	VSS	VSS	VSS							VSS	PCIAD 27	PCIAD 26	PCIAD 25
U										VSS	EVDD	PCIAD 29	PCIAD 28
V										DSPIC S3	PCIBG 1	PCIAD 31	PCIBG 30
W										DSPIC S5/PCS S	PCIBG 4	PCIBG 2	PCIBG 0
Y										PSC1R TS	DSPIS OUT	DSPIC S0/SS	PCIBG 3
AA										IVDD	EVDD	PSC0T XD	DSPIC S2
AB										PSC3R TS	DACK0	PSC1T XD	PSC0R TS
AC	E0RXE R	NC	USB_P HYVDD	USBV B US	VSS	PSC2C TS	IVDD	PSC0R XD	TOUT2	TOUT1	DSPISI N	DACK1	PSC2T XD
AD	E0RXC LK	USB_O SCAVD D	USB_P LLVDD	VSS	EVDD	TIN3	VSS	PSC2R XD	DSPIS CK	TOUT3	NC	NC	PSC2R TS
AE	E0RXD V	VSS	VSS	VSS	USBV D	E0CRS	TIN1	PSC3R XD	PSC1R XD	PSC0C TS	NC	NC	PSC3T XD
AF	USBCL KOUT	USBCL KIN	USB D+	USB D-	USB RB IAS	DREQ1	DREQ0	TIN2	TIN0	PSC3C TS	NC	PSC1C TS	TOUT0

Figure 30-8. MCF5473/5472 Lower Right Quadrant Pinout (388 MAPBGA)

30.4 MCF5471/5470 Mechanical Diagram

Figure 30-9–Figure 30-12 show the pinout for the each quadrant of the MCF5471/MCF5470 388 MAPBGA package. Figure 30-9 shows the pinout for the upper left quadrant.

	1	2	3	4	5	6	7	8	9	10	11	12	13
A	SDVDD	VSS	SDDM2	SDDAT A23	SDDAT A24	SDDAT A27	SDDQS 3	SDDAT A29	SDADD R0	SDADD R3	SDADD R7	SDADD R11	SDADD R12
B	SDVDD	VSS	SDDDA TA18	SDDAT A20	$\overline{\text{SDDQS}}$ 2	$\overline{\text{SDDAT}}$ A21	SDDAT A25	SDDM3	SDDAT A30	SDADD R1	SDADD R5	SDADD R9	$\overline{\text{RSTI}}$
C	SDVDD	$\overline{\text{CAS}}$	VSS	SDDAT A17	SDDAT A19	$\overline{\text{SDVDD}}$	SDDAT A22	SDDAT A26	SDVDD	SDDAT A31	SDADD R4	SDADD R8	SDVDD
D	SDDAT A14	VREF	SDVDD	$\overline{\text{SDDAT}}$ A16	SDDAT A28	$\overline{\text{VSS}}$	SDADD R2	SDADD R6	VSS	SDADD R10	IVDD	IVDD	VSS
E	SDDAT A12	SDDAT A15	$\overline{\text{RAS}}$	SDCKE									
F	SDDDA TA10	SDDQS 1	SDVDD	VSS									
G	SDDAT A6	SDDAT A9	SDDM1	SDDAT A13									
H	SDDQS 0	SDDAT A5	SDDAT A8	IVDD									
J	SDDAT A3	SDDM0	SDDAT A4	VSS									
K	$\overline{\text{SDWE}}$	SDDAT A0	SDDAT A1	SDDAT A11									
L	SDCLK 1	SDRDQ S	SDVDD	VSS							VSS	VSS	VSS
M	$\overline{\text{SDCLK}}$ 1	SDBA1	SDBA0	SDDAT A2							VSS	VSS	VSS
N	SDCLK 0	$\overline{\text{SDCLK}}$ 0	$\overline{\text{SDCS0}}$	SDDAT A7							VSS	VSS	VSS

Figure 30-9. MCF5471/5470 Upper Left Quadrant Pinout (388 MAPBGA)

Figure 30-10 shows the pinout for the upper right quadrant of the MCF5471/MCF5470 pinout for the 388 MAPBGA package.

	14	15	16	17	18	19	20	21	22	23	24	25	26
A	$\overline{\text{IRQ5}}$	$\overline{\text{DSI/TDI}}$	$\overline{\text{TCK}}$	CLKIN	MTMOD 1	PLLVD	RSTO	$\overline{\text{PSTDD}}$ ATA1	$\overline{\text{PSTDD}}$ ATA3	$\overline{\text{PSTDD}}$ ATA7	$\overline{\text{PCIBR0}}$	$\overline{\text{PCIBR2}}$	E1RXD 1
B	$\overline{\text{IRQ6}}$	$\overline{\text{BKPT/TMS}}$	MTMOD 0	MTMOD 3	PLLVD	$\overline{\text{PSTDD}}$ ATA0	$\overline{\text{PSTDD}}$ ATA2	$\overline{\text{PSTDD}}$ ATA6	$\overline{\text{E1RXC}}$ LK	$\overline{\text{PCIBR1}}$	$\overline{\text{PCIBR3}}$	E1RXD V	E1RXD 2
C	MTMOD 2	$\overline{\text{DSCLK/TRST}}$	EVDD	VSS	IVDD	VSS	$\overline{\text{PSTDD}}$ ATA4	$\overline{\text{VSS}}$	EVDD	PCIIDS EL	SDA	$\overline{\text{SCL}}$	$\overline{\text{PCITRD}}$ Y
D	$\overline{\text{IRQ7}}$	NC	VSS	DSO/TDO	$\overline{\text{PSTDD}}$ ATA5	IVDD	$\overline{\text{PSTCL}}$ K	$\overline{\text{PCIBR4}}$	IVDD	VSS	$\overline{\text{PCIIDR}}$ Y	E1RXD 3	$\overline{\text{PCIPER}}$ R
E										VSS	EVDD	$\overline{\text{PCISTO}}$ P	$\overline{\text{PCICXB}}$ E1
F										$\overline{\text{PCIPAR}}$	$\overline{\text{PCISER}}$ R	$\overline{\text{PCIFR}}$ M	$\overline{\text{PCICXB}}$ E3
G										$\overline{\text{PCIRES}}$ ET	$\overline{\text{PCICXB}}$ E0	$\overline{\text{PCICXB}}$ E2	PCIAD2
H										$\overline{\text{IVDD}}$	EVDD	PCIAD1	PCIAD4
J										$\overline{\text{PCIDEV}}$ SEL	PCIAD3	PCIAD5	PCIAD7
K										PCIAD0	PCIAD6	PCIAD8	PCIAD9
L	VSS	VSS	VSS							IVDD	VSS	PCIAD1 0	PCIAD1 1
M	VSS	VSS	VSS							VSS	EVDD	PCIAD1 2	PCIAD1 3
N	VSS	VSS	VSS							PCIAD1 6	PCIAD1 4	PCIAD1 7	PCIAD1 5

Figure 30-10. MCF5471/5470 Upper Right Quadrant Pinout (388 MAPBGA)

Figure 30-11 shows the pinout for the lower left quadrant of the MCF5471/MCF5470 pinout for the 388 MAPBGA package.

	1	2	3	4	5	6	7	8	9	10	11	12	13
P	SDCS1	SDCS2	SDVDD	IVDD							VSS	VSS	VSS
R	FBCS5	SDCS3	EVDD	VSS							VSS	VSS	VSS
T	FBCS2	FBCS4	FBCS3	AD1							VSS	VSS	VSS
U	FBCS0	FBCS1	AD0	VSS									
V	AD3	AD2	AD4	IVDD									
W	AD6	AD5	AD7	AD13									
Y	AD9	AD8	EVDD	VSS									
A A	AD10	AD11	AD14	AD19									
A B	AD12	AD15	EVDD	VSS									
A C	AD17	AD20	AD22	$\overline{BE}/\overline{BW}$ $\overline{E1}$	E1CRS	E0TXD 2	VSS	E1TXD 3	E0COL	VSS	E1TXD 2	IVDD	NC
A D	AD16	AD21	AD23	AD24	AD26	\overline{ALE}	EVDD	E0TXD 3	E0TXD 0	EVDD	E0MDC	VSS	E0RXD0
A E	AD18	AD31	AD28	AD27	R/W	\overline{OE}	$\overline{BE}/\overline{BW}$ $\overline{E0}$	E1RXE R	E0TXE R	E0TXE N	E1TXD 1	E1TXD 0	E1TXCL K
A F	AD29	$\overline{AD25}$	AD30	$\overline{BE}/\overline{BW}$ $\overline{E3}$	$\overline{BE}/\overline{BW}$ $\overline{E2}$	\overline{TA}	E0TXD 1	E1COL	E0TXC LK	E0MDI O	E0RXD 3	E0RXD 2	E0RXD1

Figure 30-11. MCF5471/5470 Lower Left Quadrant Pinout (388 MAPBGA)

Figure 30-12 shows the pinout for the lower left quadrant of the MCF5471/MCF5470 pinout for the 388 MAPBGA package.

	14	15	16	17	18	19	20	21	22	23	24	25	26
P	VSS	VSS	VSS							PCIAD 19	PCIAD 20	PCIAD 18	PCIAD 21
R	VSS	VSS	VSS							IVDD	PCIAD 24	PCIAD 23	PCIAD 22
T	VSS	VSS	VSS							VSS	PCIAD 27	PCIAD 26	PCIAD 25
U										VSS	EVDD	PCIAD 29	PCIAD 28
V										DSPIC S3	PCIBG 1	PCIAD 31	PCIBG 30
W										DSPIC S5/PCS S	PCIBG 4	PCIBG 2	PCIBG 0
Y										PSC1R TS	DSPIS OUT	DSPIC S0/SS	PCIBG 3
AA										IVDD	EVDD	PSC0T XD	DSPIC S2
AB										PSC3R TS	DACK0	PSC1T XD	PSC0R TS
AC	E0RXE R	NC	NC	NC	VSS	PSC2C TS	IVDD	PSC0R XD	TOUT2	TOUT1	DSPISI N	DACK1	PSC2T XD
AD	E0RXC LK	NC	NC	VSS	EVDD	TIN3	VSS	PSC2R XD	DSPIS CK	TOUT3	E1MDC	E1TXE N	PSC2R TS
AE	E0RXD V	VSS	VSS	VSS	NC	E0CRS	TIN1	PSC3R XD	PSC1R XD	PSC0C TS	E1TXE R	E1MDI O	PSC3T XD
AF	NC	NC	NC	NC	USBRB IAS	DREQ1	DREQ0	TIN2	TIN0	PSC3C TS	E1RXD 0	PSC1C TS	TOUT0

Figure 30-12. MCF5475/5474 Lower Right Quadrant Pinout (388 MAPBGA)

30.5 Mechanicals388-pin PBGA Package Outline

30.6 Case Drawing

Figure 30-13 shows the MCF547x case drawing.

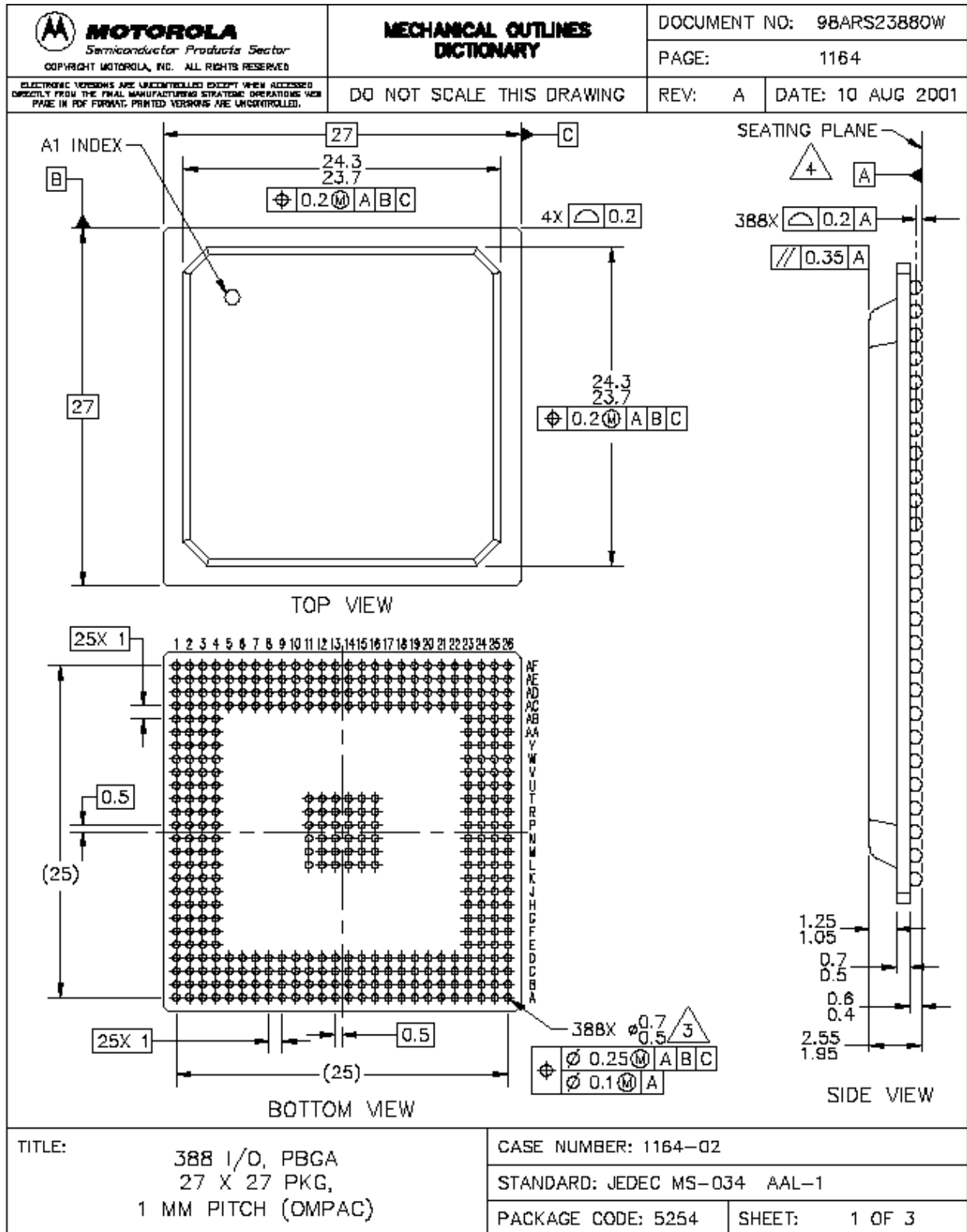


Figure 30-13. 388-pin BGA Case Outline

Appendix A

MCF547x Memory Map

Table A-1 lists an overview of the memory map for the on-chip modules.

Table A-1. MCF547x Module Memory Map Overview

Address	Name (abbreviation)	Description
MBAR + 0x0000 – 0x00FF	SIU	SIU overview registers
MBAR + 0x0100 – 0x01FF	SDRAMC	SDRAM Controller registers
MBAR + 0x0200 – 0x02FF	XARB	XLB Arbiter registers
MBAR + 0x0300 – 0x04FF	Reserved	—
MBAR + 0x0500 – 0x05FF	FBIC	FlexBus Interface Controller registers
MBAR + 0x0600 – 0x06FF	Reserved	—
MBAR + 0x0700 – 0x07FF	INTC	Interrupt Controller registers
MBAR + 0x0800 – 0x08FF	GPT	General Purpose Timer registers
MBAR + 0x0900 – 0x09FF	SLT	Slice Timer registers
MBAR + 0x0A00 – 0x0AFF	GPIO	GPIO registers and Pin configuration (from reindeer project)
MBAR + 0x0B00 – 0x0BFF	PCI	PCI registers
MBAR + 0x0C00 – 0x0CFF	PCI ARB	PCI Arbiter registers
MBAR + 0x0D00 – 0x0DFF	EXTDMA	External DMA request registers
MBAR + 0x0E00 – 0x0EFF	Reserved	—
MBAR + 0x0F00 – 0x0FFF	EPORT	Edge Port registers
MBAR + 0x1000 – 0x7EFF	Reserved	—
MBAR + 0x7F00 – 0x7FFF	CTM	Comm Timer registers

Table A-1. MCF547x Module Memory Map Overview (continued)

Address	Name (abbreviation)	Description
MBAR + 0x8000 – 0x80FF	DMA	Multi-Channel DMA registers
MBAR + 0x8100 – 0x83FF	Reserved	—
MBAR + 0x8400 – 0x84FF	SCPCI	Multi-Channel DMA PCI registers
MBAR + 0x8500 – 0x85FF	Reserved	—
MBAR + 0x8600 – 0x86FF	PSC0	Programmable Serial Controller registers
MBAR + 0x8700 – 0x87FF	PSC1	Programmable Serial Controller registers
MBAR + 0x8800 – 0x88FF	PSC2	Programmable Serial Controller registers
MBAR + 0x8900 – 0x89FF	PSC3	Programmable Serial Controller registers
MBAR + 0x8A00 – 0x8AFF	DSPI	DMA Serial Peripheral Interface registers
MBAR + 0x8B00 – 0x8EFF	Reserved	—
MBAR + 0x8F00 – 0x8FFF	I2C	I ² C registers
MBAR + 0x9000 – 0x97FF	FEC0	Fast Ethernet Controller 0 registers
MBAR + 0x9800 – 0x9FFF	FEC1	Fast Ethernet Controller 1 registers
MBAR + 0xA000 – 0xAFFF	Reserved	—
MBAR + 0xB000 – 0xB7FF	USB 2.0	USB 2.0 Device Controller registers
MBAR + 0xB800 – 0xFFFF	Reserved	—
MBAR + 0x1_0000 – 0x1_7FFF	SRAM	32KB System SRAM memory locations
MBAR + 0x1_8000 – 0x1_FEFF	Reserved	—

Table A-1. MCF547x Module Memory Map Overview (continued)

Address	Name (abbreviation)	Description
MBAR + 0x1_FF00 – 0x1_FFFF	SRAMCFG	32KB System SRAM Configuration registers.
MBAR + 0x2_0000 – 0x3_FFFF	SEC	Integrated Security Engine

NOTE

Read and write accesses to reserved MBAR spaces will result in undefined behavior that may result in a non-terminated bus cycle. This applies to the reserved locations between modules and the reserved locations within valid module address ranges.



Index

A

Addressing modes 3-18
Associated functions 15-3

B

BDM, *see* debug
Bus, *see* FlexBus 17-1
Byte lanes 17-2

C

Cache
 cache-inhibited accesses 7-13
 initialization 7-32
 interaction with SRAM 7-1
 line states 7-8
 management 7-24
 modes 7-12
 copyback 7-13
 write-through 7-12
 protocol
 read hit 7-15
 read miss 7-14
 write hit 7-15
 write miss 7-14
 registers
 access control (ACR n) 3-13, 5-5, 5-6, 7-22
 configuration (CACR) 3-13
 control (CACR) 5-5, 7-19
 state transitions 7-27
Collision handling 29-57
Commands
 BDM 8-35–8-52
 SDRAM controller 18-11–18-14
Core
 branch acceleration 3-4
 enhancements 3-1
 pipelines 3-2
 instruction fetch 3-4
 operand execution 3-4
 registers
 address (A n) 3-9
 condition code (CCR) 3-9
 data (D n) 3-9
 module base address (MBAR) 3-13

RAM base address (RAMBAR) 3-13
status (SR) 3-12
user stack pointer (A7) 3-9
vector base (VBR) 3-12, 3-38
Crypto-channel 21-3, 21-12, 21-20

D

Debug
 BDM
 commands
 DUMP 8-41
 extension words 8-35
 FILL 8-43
 FORCE_TA 8-46
 format 8-35
 GO 8-44
 NOP 8-45
 RAREG/RDREG 8-37
 RCREG 8-47
 RDMREG 8-51
 READ 8-38
 summary 8-34
 WAREG/WDREG 8-37
 WCREG 8-50
 WDMREG 8-52
 WRITE 8-40
 receive packet 8-33
 serial interface 8-32
 transmit packet 8-33
 breakpoint operation theory 8-53
 data breakpoint/mask registers 8-18
 emulator mode 8-55
 enhancements 3-6
 instructions 8-56, 8-62
 memory map 8-10
 processor halted 8-8
 processor stopped 8-7
 real-time trace support 8-5–8-8
 registers
 address attribute (BAAR) 8-14
 address breakpoint (ABLR, ABHR) 8-13
 attribute trigger (AATR, AATR1) 8-11
 configuration/status (CSR) 8-15
 data breakpoint/mask (DBR, DBMR) 8-18
 extended trigger definition (XTDR) 8-25

- PC breakpoint ASID (PBASID) 8-29
- PC breakpoint ASID control (PBAC) 8-28
- program counter breakpoint/mask (PBR_n, PBMR) 8-20
- trigger definition (TDR) 8-22
- signals 8-2
- taken branch 8-6
- virtual environment 5-7
- DMA
 - initiators 23-25
 - LURC 23-34
 - master DMA engine 23-29
 - memory map 23-3
 - prioritization 23-25
 - registers
 - current pointer (CP) 23-7
 - end pointer (EP) 23-8
 - external request address mask (EREQMASK) 23-22
 - external request base address (EREQBAR) 23-22
 - initiator mux control (IMCR) 23-14
 - initiator priority (IPRIOR_n) 23-12
 - interrupt mask (DIMR) 23-11
 - interrupt pending (DIPR) 23-10
 - PTD control (PTD) 23-9
 - task base address (TaskBAR) 23-7
 - task control (TCR_n) 23-11
 - task size (TSKSZ_n) 23-15
 - variable pointer (VP) 23-9
 - signals
 - DACK_n 23-3
 - DREQ_n 23-3
 - task initialization 23-25
 - task instantiation 23-30
 - task table 23-3
 - termination of loop 23-29
 - variable table 23-4
- DSPI
 - baud rate 27-25, 27-35
 - block diagram 27-2
 - changing queues 27-35
 - clock delay 27-25–27-26, 27-36
 - DMA requests 27-33
 - FIFO
 - disabling 27-23
 - Rx
 - buffering 27-24
 - draining 27-24
 - filling 27-24
 - Tx
 - buffering 27-23
 - draining 27-23
 - filling 27-23
 - interrupts 27-33–27-34
 - memory map 27-5
 - registers
 - clock and transfer attributes 0–7 (DCTAR_n) 27-8
 - DMA/interrupt request select (DIRSR) 27-15
 - module configuration (DMCR) 27-5
 - Rx FIFO (DRFR) 27-18
 - Rx FIFO debug 0–3 (DRFDR_n) 27-20
 - status (DSR) 27-13
 - transfer count (DTCR) 27-8
 - Tx FIFO (DTFR) 27-17
 - Tx FIFO debug 0–3 (DTFDR_n) 27-19
 - signals
 - peripheral chip select 5/peripheral chip select strobe (DSPICS5/PCSS) 27-4
 - peripheral chip select/slave select (DSPICS0/SS) 27-4
 - peripheral chip selects 2–3 (DSPICS_n) 27-4
 - serial clock (DSPISCK) 27-4
 - serial input (DSPISIN) 27-4
 - serial output (DSPISOUT) 27-4
 - start and stop 27-21
 - transfer formats 27-27–27-32
- E**
 - EMAC
 - data representation 3-17, 4-13
 - hardware support 3-5
 - instructions
 - execution timing 4-12
 - summary 4-11
 - MAC, comparison 4-1
 - memory map 4-5
 - opcodes 4-13
 - operation
 - general 4-2
 - rounding 4-8
 - saving and restoring 4-9
 - registers
 - mask (MASK) 4-10
 - status (MACSR) 4-5
 - EPORT
 - memory map 14-2
 - registers
 - data direction (EPDDR) 14-3
 - flag (EPFR) 14-5
 - pin assignment (EPPAR) 14-3
 - pin data (EPPDR) 14-5
 - port data (EPDR) 14-4
 - port interrupt enable (EPIER) 14-4
 - Ethernet
 - address recognition 29-52

- collision handling 29-57
- errors
 - handling 29-58
 - reception
 - CRC 29-59
 - frame length 29-59
 - non-octet 29-59
 - overrun 29-59
 - truncation 29-59
 - transmission
 - attempts limit expired 29-58
 - heartbeat 29-58
 - late collision 29-58
 - underrun 29-58
- frame reception 29-51
- frame transmission 29-51
- hash table 29-53
- initialization 29-47
- interpacket gap time 29-57
- memory map
 - control and status registers 29-7
 - MIB block counters 29-8
- operation
 - 10/100 Mbps MII 29-3, 29-50
 - 7-wire serial 29-4, 29-50
 - full duplex 29-3, 29-56
 - half duplex 29-3
 - loopback 29-57
- registers
 - control (ECR) 29-13
 - descriptor group lower address (GALR) 29-25
 - descriptor individual lower (IALR) 29-24
 - descriptor individual upper (IAUR) 29-23
 - FEC transmit FIFO watermark (FECTFWR) 29-26
 - interrupt event (EIR) 29-11
 - interrupt mask (EIMR) 29-12
 - MIB control (MIBC) 29-17
 - MII management frame (MMFR) 29-14
 - MII speed control (MSCR) 29-16
 - opcode/pause duration (OPD) 29-22
 - physical address low (PALR) 29-21
 - receive control (RCR) 29-18
 - transmit control (TCR) 29-20
- Exceptions
 - FPU 6-17–6-23
 - overview 3-38
 - precise faults 3-44
 - processor 3-42
 - stack frame definition 3-40

F

- FEC, *see* Ethernet
- FlexBus
 - address latch 17-2
 - burst cycles 17-27–??
 - byte lanes 17-2
 - chip select operation 17-6
 - connections 17-13
 - data alignment 17-13
 - data transfer 17-12
 - cycle states 17-14
 - read cycle 17-15
 - write cycle 17-16
 - errors 17-33
 - misaligned operands 17-32
 - registers
 - chip select address (CSAR n) 17-8
 - chip select control (CSCR n) 17-10
 - chip select mask (CSMR n) 17-9
 - signals
 - address/data (AD n) 17-4
 - byte selects (BE/BW E_n) 17-5
 - chip select (FBCS n) 17-4
 - output enable (OE) 17-5
 - read/write (R/W) 17-4
 - transfer acknowledge (\overline{TA}) 17-5
 - transfer burst (\overline{TBST}) 17-4
 - transfer size (TSIZ n) 17-4
 - transfer start (TS) 17-4
- FPU
 - data formats 3-17
 - floating-point 6-3
 - signed-integer 6-3
 - data types
 - denormalized numbers 6-5
 - infinities 6-4
 - normalized numbers 6-4
 - not-a-number 6-5
 - zeros 6-4
 - exceptions 6-17–6-23
 - BSUN 6-19
 - DZ 6-22
 - IDE 6-20
 - INAN 6-20
 - INEX 6-23
 - OPERR 6-21
 - OVFL 6-21
 - UNFL 6-22
 - instructions
 - execution timing 6-27
 - general 6-25
 - MC68000, differences 6-28

- post-processing 6-14
 - conditional testing 6-15
 - overflow 6-14
 - round 6-14
 - underflow 6-14

- registers
 - control (FPCR) 6-7
 - data (FPn) 6-7
 - instruction address (FPIAR) 6-10
 - status (FPSR) 6-9

- results
 - intermediate 6-11
 - rounding 6-12
 - state frames 6-23

G

GPIO

- registers
 - DMA pin assignment (PAR_DMA) 15-24
 - DSPI pin assignment (PAR_DSPI) 15-33
 - FEC/I2C/IRQ pin assignment (PAR_FECI2CIRQ) 15-25
 - FlexBus chip select pin assignment (PAR_FBSC) 15-23
 - general purpose timer pin assignment (PAR_TIMER) 15-34
 - PCI grant pin assignment (PAR_PCIBG) 15-26
 - PCI request pin assignment (PAR_PCIBR) 15-27
 - port clear output data (PCLRR_x) 15-19–15-21
 - port x data direction (PDDR_x) 15-13–15-15
 - port x output data (PODR_x) 15-9–15-12
 - port x pin assignment (PAR_x) 15-22
 - port x pin data/set data (PPDSR_x) 15-15–15-18
 - PSC0 pin assignment (PAR_PSC0) 15-32
 - PSC1 pin assignment (PAR_PSC1) 15-30
 - PSC2 pin assignment (PAR_PSC2) 15-29
 - PSC3 pin assignment (PAR_PSC3) 15-28
- signals 15-3–15-7

H

- Hash table 29-53

I

I²C

- acknowledge 26-11
- block diagram 26-1
- clock synchronization 26-13
- data transfer 26-11
- handshaking 26-14
- initialization 26-14–26-20
- memory map 26-3
- registers

- address (I2AR) 26-3
- control (I2CR) 26-5
- data I/O (I2DR) 26-8
- frequency divider (I2FDR) 26-4
- interrupt control (I2ICR) 26-9
- status (I2SR) 26-7

- repeated start 26-12

- signals
 - SCL 26-2
 - SDA 26-2
- START 26-10
- STOP 26-11

Instructions

- architecture additions 3-19
- branch acceleration 3-4
- debug 8-56, 8-62
- EMAC

- execution timing 4-12
 - summary 4-11

- execution timing 3-28
 - branch 3-35
 - EMAC 3-35
 - FPU 3-37
 - miscellaneous 3-34
 - MOVE 3-29
 - one-operand 3-31
 - two-operand 3-32

- fetch pipeline 3-4

JTAG

- BYPASS 22-10
- CLAMP 22-10
- ENABLE_TEST_CTRL 22-9
- EXTTEST 22-8
- HIGHZ 22-9
- IDCODE 22-8
- LOCKOUT_RECOVERY 22-9
- SAMPLE/PRELOAD 22-8
- TEST_LEAKAGE 22-9

- MOVEC 8-47

- PULSE 8-6

- STOP 8-7, 8-31

- summary 3-23

- WDDATA 8-6

Interrupt controller

- features 13-1

- interrupts

- prioritization 13-3

- recognition 13-3

- sources 13-13

- vector determination 13-3

- memory map 13-4

- operation 13-1–13-3

- registers
 - (IACKLPR n) 13-11
 - interrupt control (ICR nx) 13-12
 - interrupt force high/low (INTFRCH n , INTFRCL n) 13-9
 - interrupt pending high/low (IPRH n , IPRL n) 13-6
 - interrupt request level (IRLR n) 13-11
 - level n IACK (LnIACK) 13-15
 - mask high/low (IMRH n , n) 13-7
 - software IACK (SWIACKR) 13-15

- Interrupts
 - DSPI 27-33
 - PCI arbiter 20-10
 - PCI controller 19-75
 - processor 25-47

J

JTAG

- instructions
 - BYPASS 22-10
 - CLAMP 22-10
 - ENABLE_TEST_CTRL 22-9
 - EXTTEST 22-8
 - HIGHZ 22-9
 - IDCODE 22-8
 - LOCKOUT_RECOVERY 22-9
 - SAMPLE/PRELOAD 22-8
 - TEST_LEAKAGE 22-9
- low-power modes 22-10
- memory map 22-5
- operation
 - nonscan chain 22-10
- registers
 - boundary scan 22-6
 - bypass 22-6
 - IDCODE 22-5
 - instruction shift (IR) 22-5
 - JTAG_CFM_CLKDIV 22-6
 - TEST_CTRL 22-6
- signals
 - MTMOD0 22-3
 - test clock input (TCK) 22-4, 22-10
 - test data input/development serial input (TDI/DSI) 22-4
 - test data output/development serial output (TDO/DSO) 22-4
 - test mode select/breakpoint (TMS/ $\overline{\text{BKPT}}$) 22-4
 - test reset/development serial clock ($\overline{\text{TRST}}$ /DSCLK) 22-4
- TAP controller 22-7

L

- Low-power modes
 - JTAG 22-10
- LURC 23-34

M

- MAC, *see* EMAC
- MBAR 3-13
- Mechanical data
 - case drawing 30-21
 - diagram 30-8
 - pinout 30-1
- Memory maps
 - debug 8-10
 - DMA 23-3
 - DSPI 27-5
 - EMAC 4-5
 - EPORT 14-2
 - Ethernet
 - control and status registers 29-7
 - MIB block counters 29-8
 - I²C 26-3
 - interrupt controller 13-4
 - JTAG 22-5
 - MMU 5-11
 - PCI controller 19-4
 - PSC 25-3
 - SEC 21-9
 - SIU 9-1
 - SRAM 16-2
 - timers
 - CTM 24-3
 - GPT 11-2
 - SLT 12-1
 - USB 28-5
- MMU
 - access 5-4
 - access error 5-5, 5-8
 - architecture 5-2–5-3
 - cache addresses 5-4
 - effective address 5-9
 - hit determination 5-6
 - instructions 5-24
 - memory map 5-11
 - precise faults 5-4, 5-7
 - registers
 - base address (MMUBAR) 5-5, 5-10
 - control (MMUCR) 5-12
 - fault, test, or TLB address (MMUAR) 5-16
 - operation (MMUOR) 5-13
 - read/write tag and data entry (MMUTR, MMUDR) 5-17

- status (MMUSR) 5-15
 - stack pointers 5-5, 5-7
 - supervisor protection 5-7
 - TLB
 - address fields 5-21
 - general 5-19
 - locked entries 5-23
 - replacement algorithm 5-22
 - virtual mode 5-4
- P**
- Pause frame 29-56
 - PCI arbiter
 - arbitration
 - examples 20-7
 - hidden bus 20-6
 - latency 20-7
 - scheme 20-6
 - interrupts 20-10
 - registers
 - control (PACR) 20-3
 - status (PASR) 20-5
 - PCI controller
 - bus
 - protocol 19-53--??
 - interrupts 19-75
 - memory map 19-4
 - registers
 - base address 0 (PCIBAR0) 19-12
 - base address 1 (PCIBAR1) 19-13
 - cardbus CIS pointer (PCICCP) 19-13
 - configuration 1 (PCICR1) 19-11
 - configuration 2 (PCICR2) 19-14
 - configuration address (PCICAR) 19-25
 - device ID/vendor ID (PCIIDR) 19-7
 - global status/control (PCIGSCR) 19-16
 - initiator control (PCIICR) 19-23
 - initiator status (PCIISR) 19-24
 - initiator window 0 base/translation address (PCIW0BTAR) 19-20
 - initiator window 1 base/translation address (PCIW1BTAR) 19-21
 - initiator window 2 base/translation address (PCIW2BTAR) 19-21
 - initiator window configuration (PCIWCR) 19-22
 - revision ID/class code (PCICCR) 19-10
 - Rx done counts (PCIRDCR) 19-45
 - Rx enable (PCIRER) 19-43
 - Rx FIFO alarm (PCIRFAR) 19-51
 - Rx FIFO control (PCIRFCR) 19-50
 - Rx FIFO data (PCIRFDR) 19-48
 - Rx FIFO status (PCIRFSR) 19-48
 - Rx FIFO write pointer (PCIRFWPR) 19-53
 - Rx next address (PCIRNAR) 19-45
 - Rx packet size (PCIRPSR) 19-40
 - Rx start address (PCIRSAR) 19-41
 - Rx status (PCIRSR) 19-46
 - Rx transaction control (PCIRTCR) 19-41
 - status/command (PCISCR) 19-8
 - subsystem ID/subsystem vendor ID (PCISID) 19-14
 - target base address translation 0 (PCITBATR0) 19-17
 - target base address translation 1 (PCITBATR1) 19-18
 - target control (PCITCR) 19-19
 - Tx done counts (PCITDCR) 19-32
 - Tx enable (PCITER) 19-29
 - Tx FIFO alarm (PCITFAR) 19-38
 - Tx FIFO control (PCITFCR) 19-36, 19-38
 - Tx FIFO data (PCITFDR) 19-34
 - Tx FIFO read pointer (PCITFRPR) 19-39
 - Tx FIFO status (PCITFSR) 19-35, 19-36, 19-38
 - Tx FIFO write pointer (PCITFWPR) 19-39
 - Tx last word register (PCITLWR) 19-31
 - Tx next address (PCITNAR) 19-31
 - Tx packet size (PCITPSR) 19-26
 - Tx start address (PCITSAR) 19-27
 - Tx status (PCITSR) 19-33
 - Tx transaction control (PCITTCR) 19-28
 - signals
 - clock ($\overline{\text{CLKIN}}$) 19-3
 - frame ($\overline{\text{PCIFRAME}}$) 19-3
 - parity error ($\overline{\text{PCIPERR}}$) 19-3
 - stop ($\overline{\text{PCISTOP}}$) 19-4
 - Program counter 3-9
 - PSC
 - baud rate calculation 25-22
 - block diagram 25-1
 - interrupts 25-47
 - memory map 25-3
 - modes
 - AC97 25-40, 25-50
 - FIR 25-43, 25-54
 - clock divide ratio 25-28
 - MIR 25-42, 25-53
 - modem16 25-40, 25-50
 - modem8 25-39, 25-50
 - multidrop 25-37
 - SIR 25-42, 25-51
 - UART 25-36, 25-48
 - automatic echo 25-45
 - local loopback 25-45
 - remote loopback 25-46
 - registers
 - auxiliary control (PSCACR n) 25-19
 - clock select (PSCCSR n) 25-10

- command (PSCCR n) 25-12
- counter timer (PSCCTUR n , PSCCTLR n) 25-22
- infrared control 1 (PSCIRCR1 n) 25-25
- infrared control 2 (PSCIRCR2 n) 25-26
- infrared FIR divide (PSCIRFDR n) 25-27
- infrared MIR divide (PSCIRMDR n) 25-26
- infrared SIR divide (PSCIRSDR n) 25-26
- input port (PSCIP) 25-23
- input port (PSCIP n) 25-23
- input port change (PSCIPCR n) 25-18
- interrupt mask (PSCIMR n) 25-21
- interrupt status (PSCISR n) 25-19
- mode 1 (PSCMR1) 25-5
- mode 1 (PSCMR1 n) 25-5
- mode 2 (PSCMR2 n) 25-6
- output port bit reset (PSCOPRESET n) 25-23
- output port bit set (PSCOPSET n) 25-23
- PSC/IrDA control (PSCSICR n) 25-24
- receiver and transmitter buffer (PSCRB n , PSCTB n) 25-15
- RxFIFO and TxFIFO alarm (PSCRFAR n , PSCTFAR n) 25-33
- RxFIFO and TxFIFO control (PSCRFCR n , PSCTFCR n) 25-31
- RxFIFO and TxFIFO counter (PSCRFCR n , PSCTFCR n) 25-28
- RxFIFO and TxFIFO data (PSCRFD n , PSCTFD n) 25-28
- RxFIFO and TxFIFO last read frame pointer (PSCRLRFP n , PSCTLRFP n) 25-35
- RxFIFO and TxFIFO last write frame pointer (PSCRLWFP n , PSCTLWFP n) 25-35
- RxFIFO and TxFIFO read pointer (PSCRFRP n , PSCTFRP n) 25-34
- RxFIFO and TxFIFO status (PSCRFSR n , PSCTFSR n) 25-29
- RxFIFO and TxFIFO write pointer (PSCRFWP n , PSCTFWP n) 25-34
- status (PSCSR n) 25-8
- reset 25-46

R

RAMBAR 3-13

Registers

cache

- access control (ACR n) 3-13, 5-5, 5-6, 7-22
- configuration (CACR) 3-13
- control (CACR) 5-5, 7-19

core

- address (A_n) 3-9
- condition code (CCR) 3-9
- data (D_n) 3-9

- module base address (MBAR) 3-13
- RAM base address (RAMBAR) 3-13
- status (SR) 3-12
- user stack pointer (A7) 3-9
- vector base (VBR) 3-12, 3-38

debug

- address attribute (BAAR) 8-14
- address breakpoint (ABLR, ABHR) 8-13
- attribute trigger (AATR, AATR1) 8-11
- configuration/status (CSR) 8-15
- data breakpoint/mask (DBR, DBMR) 8-18
- extended trigger definition (XTDR) 8-25
- PC breakpoint AISD (PBASID) 8-29
- PC breakpoint ASID control (PBAC) 8-28
- program counter breakpoint/mask (PBR n , PBMR) 8-20
- trigger definition (TDR) 8-22

DMA

- current pointer (CP) 23-7
- end pointer (EP) 23-8
- external request address mask (EREQMASK) 23-22
- external request base address (EREQBAR) 23-22
- initiator mux control (IMCR) 23-14
- initiator priority (IPRIOR n) 23-12
- interrupt mask (DIMR) 23-11
- interrupt pending (DIPR) 23-10
- PTD control (PTD) 23-9
- task base address (TaskBAR) 23-7
- task control (TCR n) 23-11
- task size (TSKSZ n) 23-15
- variable pointer (VP) 23-9

DSPI

- clock and transfer attributes 0–7 (DCTAR n) 27-8
- DMA/interrupt request select (DIRSR) 27-15
- module configuration (DMCR) 27-5
- Rx FIFO (DRFR) 27-18
- Rx FIFO debug 0–3 (DRFDR n) 27-20
- status (DSR) 27-13
- transfer count (DTCR) 27-8
- Tx FIFO (DTFR) 27-17
- Tx FIFO debug 0–3 (DTFDR n) 27-19

EMAC

- mask (MASK) 4-10
- status (MACSR) 4-5

EPORT

- data direction (EPDDR) 14-3
- flag (EPFR) 14-5
- pin assignment (EPPAR) 14-3
- pin data (EPPDR) 14-5
- port data (EPDR) 14-4
- port interrupt enable (EPIER) 14-4

Ethernet

- control (ECR) 29-13
- descriptor group lower address (GALR) 29-25
- descriptor individual lower (IALR) 29-24
- descriptor individual upper address (IAUR) 29-23
- FEC transmit FIFO watermark (FECTFWR) 29-26
- interrupt event (EIR) 29-11
- interrupt mask (EIMR) 29-12
- MIB control (MIBC) 29-17
- MII management frame (MMFR) 29-14
- MII speed control (MSCR) 29-16
- opcode/pause duration (OPD) 29-22
- physical address low (PALR) 29-21
- receive control (RCR) 29-18
- transmit control (TCR) 29-20

FlexBus

- chip select address (CSAR n) 17-8
- chip select control (CSCR n) 17-10
- chip select mask (CSMR n) 17-9

FPU

- control (FPCR) 6-7
- data (FP n) 6-7
- instruction address (FPIAR) 6-10
- status (FPSR) 6-9

GPIO

- DMA pin assignment (PAR_DMA) 15-24
- DSPI pin assignment (PAR_DSPI) 15-33
- FEC/I2C/IRQ pin assignment (PAR_FECI2CIRQ) 15-25
- FlexBus chip select pin assignment (PAR_FBSC) 15-23
- general purpose timer pin assignment (PAR_TIMER) 15-34
- PCI grant pin assignment (PAR_PCIBG) 15-26
- PCI request pin assignment (PAR_PCIBR) 15-27
- port clear output data (PCLRR $_x$) 15-19–15-21
- port x data direction (PDDR $_x$) 15-13–15-15
- port x output data (PODR $_x$) 15-9–15-12
- port x pin assignment (PAR $_x$) 15-22
- port x pin data/set data (PPDSDR $_x$) 15-15–15-18
- PSC0 pin assignment (PAR_PSC0) 15-32
- PSC1 pin assignment (PAR_PSC1) 15-30
- PSC2 pin assignment (PAR_PSC2) 15-29
- PSC3 pin assignment (PAR_PSC3) 15-28

I²C

- address (I2AR) 26-3
- control (I2CR) 26-5
- data I/O (I2DR) 26-8
- frequency divider (I2FDR) 26-4
- interrupt control (I2ICR) 26-9
- status (I2SR) 26-7

interrupt controller

- interrupt acknowledge level and priority (IACKLPR n) 13-11
- interrupt control (ICR nx) 13-12
- interrupt force high/low (INTFRCH n , INTFRCL n) 13-9
- interrupt pending high/low (IPRH n , IPRL n) 13-6
- interrupt request level (IRLR n) 13-11
- level n IACK (LnIACK) 13-15
- mask high/low (IMRH n , n) 13-7
- software IACK (SWIACKR) 13-15

JTAG

- boundary scan 22-6
- bypass 22-6
- IDCODE 22-5
- instruction shift (IR) 22-5
- JTAG_CFM_CLKDIV 22-6
- TEST_CTRL 22-6

MMU

- base address (MMUBAR) 5-5, 5-10
- control (MMUCR) 5-12
- fault, test, or TLB address (MMUAR) 5-16
- operation (MMUOR) 5-13
- read/write tag and data entry (MMUTR, MMUDR) 5-17
- status (MMUSR) 5-15

PCI arbiter

- control (PACR) 20-3
- status (PASR) 20-5

PCI controller

- base address 0 (PCIBAR0) 19-12
- base address 1 (PCIBAR1) 19-13
- cardbus CIS pointer (PCICCP) 19-13
- configuration 1 (PCICR1) 19-11
- configuration 2 (PCICR2) 19-14
- configuration address (PCICAR) 19-25
- device ID/vendor ID (PCIIDR) 19-7
- global status/control (PCIGSCR) 19-16
- initiator control (PCIICR) 19-23
- initiator status (PCIISR) 19-24
- initiator window 0 base/translation address (PCIW0BTAR) 19-20
- initiator window 1 base/translation address (PCIW1BTAR) 19-21
- initiator window 2 base/translation address (PCIW2BTAR) 19-21
- initiator window configuration (PCIWCR) 19-22
- revision ID/class code (PCICCRIR) 19-10
- Rx done counts (PCIRDCCR) 19-45
- Rx enable (PCIRER) 19-43
- Rx FIFO (PCIRFDR) 19-48
- Rx FIFO alarm (PCIRFAR) 19-51
- Rx FIFO control (PCIRFCR) 19-50

- Rx FIFO status (PCIRFSR) 19-48
- Rx FIFO write pointer (PCIRFWPR) 19-53
- Rx next address (PCIRNAR) 19-45
- Rx packet size (PCIRPSR) 19-40
- Rx start address (PCIRSAR) 19-41
- Rx status (PCIRSR) 19-46
- Rx transaction control (PCIRTCR) 19-41
- status/command (PCISCR) 19-8
- subsystem ID/subsystem vendor ID (PCISID) 19-14
- target base address translation 0 (PCITBATR0) 19-17
- target base address translation 1 (PCITBATR1) 19-18
- target control (PCITCR) 19-19
- Tx done counts (PCITDCR) 19-32
- Tx enable (PCITER) 19-29
- Tx FIFO alarm (PCITFAR) 19-38
- Tx FIFO control (PCITFCR) 19-36, 19-38
- Tx FIFO data (PCITFDR) 19-34
- Tx FIFO read pointer (PCITFRPR) 19-39
- Tx FIFO status (PCITFSR) 19-35, 19-36, 19-38
- Tx FIFO write pointer (PCITFWPR) 19-39
- Tx last word register (PCITLWR) 19-31
- Tx next address (PCITNAR) 19-31
- Tx packet size (PCITPSR) 19-26
- Tx start address (PCITSAR) 19-27
- Tx status (PCITSR) 19-33
- Tx transaction control (PCITTCR) 19-28

programming model table 3-13

PSC

- auxiliary control (PSCACR n) 25-19
- clock select (PSCCSR n) 25-10
- command (PSCCR n) 25-12
- counter timer (PSCCTUR n , PSCCTLR n) 25-22
- infrared control 1 (PSCIRCR1 n) 25-25
- infrared control 2 (PSCIRCR2 n) 25-26
- infrared FIR divide (PSCIRFDR n) 25-27
- infrared MIR divide (PSCIRMDR n) 25-26
- infrared SIR divide (PSCIRSDR n) 25-26
- input port (PSCIP) 25-23
- input port (PSCIP n) 25-23
- input port change (PSCIPCR n) 25-18
- interrupt mask (PSCIMR n) 25-21
- interrupt status (PSCISR n) 25-19
- mode 1 (PSCMR1) 25-5
- mode 1 (PSCMR1 n) 25-5
- mode 2 (PSCMR2 n) 25-6
- output port bit reset (PSCOPRESET n) 25-23
- output port bit set (PSCOPSET n) 25-23
- PSC/IrDA control (PSCSICR n) 25-24
- receiver and transmitter buffer (PSCRB n , PSCTB n) 25-15
- RxFIFO and TxFIFO alarm (PSCRFAR n , PSCTFAR n) 25-33

- RxFIFO and TxFIFO control (PSCRFCR n , PSCTFCR n) 25-31
- RxFIFO and TxFIFO counter (PSCRFCR n , PSCTFCR n) 25-28
- RxFIFO and TxFIFO data (PSCRFD n , PSCTFD n) 25-28
- RxFIFO and TxFIFO last read frame pointer (PSCRFRFP n , PSCTLRFP n) 25-35
- RxFIFO and TxFIFO last write frame pointer (PSCRFLWFP n , PSCTLWFP n) 25-35
- RxFIFO and TxFIFO read pointer (PSCRFRP n , PSCTFRP n) 25-34
- RxFIFO and TxFIFO status (PSCRFSR n , PSCTFSR n) 25-29
- RxFIFO and TxFIFO write pointer (PSCRFWP n , PSCTFWP n) 25-34
- status (PSCSR n) 25-8

SDRAM controller

- chip select configuration (CS n CFG) 18-19
- configuration 1 (SDCFG1) 18-23
- configuration 2 (SDCFG2) 18-25
- control (SDCR) 18-22
- drive strength (SDRAMDS) 18-18
- mode/extended mode (SDMR) 18-21

SEC

- AESU interrupt mask (AESIMR) 21-58
- AESU interrupt status (AESISR) 21-57
- AESU reset control (AESRCR) 21-54
- AESU status (AESSR) 21-55
- AFEU interrupt mask (AFIMR) 21-34
- AFEU interrupt status (AFISR) 21-32
- AFEU reset control (AFRCR) 21-30
- AFEU status (AFSR) 21-31
- crypto-channel configuration (CCCR n) 21-21
- crypto-channel current descriptor pointer (CDPR n) 21-28
- crypto-channel pointer status (CCPSR n) 21-23
- data packet descriptor buffer (CDBUF n) 21-29
- DEU interrupt mask (DIMR) 21-41
- DEU interrupt status (DISR) 21-39
- DEU reset control (DRCR) 21-36
- DEU status (DSR) 21-37
- EU assignment control (EUACR) 21-13
- EU assignment status (EUASR) 21-14
- fetch (FR n) 21-28
- ID (SIDR) 21-18
- interrupt control (SICR) 21-15
- interrupt mask (SIMR) 21-15
- interrupt status (SISR) 21-15
- master control (SMCR) 21-18
- master error address (MEAR) 21-19
- MDEU interrupt mask (MDIMR) 21-47

- MDEU interrupt status (MDISR) 21-45
- MDEU reset control (MDRCR) 21-43
- MDEU status (MDSR) 21-44
- RNG interrupt mask (RNGIMR) 21-53
- RNG interrupt status (RNGISR) 21-52
- RNG reset control (RNGRCR) 21-49
- RNG status (RNGSR) 21-50
- SIU
 - JTAG device ID (JTAGID) 9-6
 - module base address (MBAR) 9-2
 - reset status (RSR) 9-5
 - SEC sequential access control (SECSACR) 9-4
 - system breakpoint control (SBCR) 9-3
- SRAM
 - base address (RAMBAR0, RAMBAR1) 7-2
 - configuration (SSCR) 16-3
 - TCC, DMA read channel (TCCRDR) 16-5
 - TCC, DMA write channel (TCCRDW) 16-6
 - TCC, SEC (TCCRSEC) 16-7
 - transfer count configuration (TCCR) 16-4
- timers
 - CTM
 - configuration, fixed timer (CTCR n) 24-4
 - configuration, variable timer (CTCR n) 24-6
 - GPT
 - counter input (GCIR n) 11-6
 - enable and mode select (GMS n) 11-3
 - PWM configuration (GPWM n) 11-7
 - status (GSR n) 11-8
 - SLT
 - control (SCR n) 12-2
 - status (SSR n) 12-4
 - terminal count (STCNT n) 12-2
 - timer count (SCNT n) 12-3
- USB
 - application interface update (IFUR) 28-24
 - application interrupt mask (USBIMR) 28-20
 - application interrupt status (USBIASR) 28-18
 - bitstuffing error counter (BSECNT) 28-27
 - bmrequest type (BMRTR) 28-34
 - brequest type (BRTR) 28-34
 - configuration attribute (CFGAR) 28-22
 - configuration interface (IFR n) 28-25
 - configuration value (CFGR) 28-21
 - control (USBCR) 28-11
 - counter overflow (CNTOVR) 28-28
 - CRC error counter (CRCECNT) 28-26
 - descriptor RAM control (DRAMCR) 28-13
 - descriptor RAM data (DRAMDR) 28-15
 - device speed (SPEEDR) 28-22
 - dropped packet counter (DPCNT) 28-26
 - endoint n sync frame 28-36

- endpoint info (EPINFO) 28-20
- endpoint n attribute control 28-29
- endpoint n FIFO alarm (EP n FAR) 28-47
- endpoint n FIFO control (EP n FCR) 28-45
- endpoint n FIFO data (EP n FDR) 28-42
- endpoint n FIFO RAM configuration (EP n FRCFGR) 28-41
- endpoint n FIFO read pointer (EP n FRP) 28-48
- endpoint n FIFO status (EP n FSR) 28-43
- endpoint n FIFO write pointer (EP n FWP) 28-48
- endpoint n interface number 28-31
- endpoint n interrupt mask (EP n IMR) 28-40
- endpoint n interrupt status (EP n ISR) 28-38
- endpoint n last read frame pointer (EP n LRFP) 28-49
- endpoint n last write frame pointer (EP n LWFP) 28-50
- endpoint n max packet size 28-30
- endpoint n status 28-32
- endpoint n status and control (EP n STAT) 28-37
- endpoint transaction number (EPTNR) 28-23
- error counter (PIDECNT) 28-27
- frame number (FRMNUMR) 28-23
- framing error counter (FRMECNT) 28-27
- interrupt mask (USBIMR) 28-17
- interrupt status (USBISR) 28-15
- packet passed count (PPCNT) 28-25
- status (USBSR) 28-10
- transmitted packet counter (TXPCNT) 28-28
- windex (WINDEXR) 28-35
- wlength (WLENGTHR) 28-36
- wvalue (WVALUER) 28-35

S

- SDRAM controller
 - block diagram 18-2
 - commands
 - ACTV 18-11
 - LMR, LEMR 18-12
 - PALL 18-12
 - PDWN 18-14
 - READ 18-11
 - REF 18-14
 - SREF 18-14
 - WRITE 18-11
 - configuration 18-5
 - connections 18-6–18-8
 - example 18-26–18-37
 - initialization 18-14, 18-37
 - interface configuration 18-27–18-35
 - page management 18-16
 - registers
 - chip select configuration (CS n CFG) 18-19
 - configuration 1 (SDCFG1) 18-23

- configuration 2 (SDCFG2) 18-25
- control (SDCR) 18-22
- drive strength (SDRAMDS) 18-18
- mode/extended mode (SDMR) 18-21
- signals
 - address bus ($\overline{\text{SDADDR}}_n$) 18-3
 - bank address ($\overline{\text{SDBAN}}_n$) 18-3
 - chip selects ($\overline{\text{SDCS}}_n$) 18-3
 - clock ($\overline{\text{SDCLK}}_n$) 18-4
 - clock enable (SDCKE) 18-4
 - column address strobe ($\overline{\text{CAS}}_n$) 18-3
 - data bus ($\overline{\text{SDDATA}}_n$) 18-3
 - data strobe ($\overline{\text{SDDQS}}_n$) 18-3
 - data strobe ($\overline{\text{SDRDQS}}_n$) 18-4
 - inverted clock ($\overline{\text{SDCLK}}_n$) 18-4
 - memory supply (SDVDD) 18-4
 - reference voltage ($\overline{\text{VREF}}_n$) 18-4
 - row address strobe ($\overline{\text{RAS}}_n$) 18-3
 - write data byte mask ($\overline{\text{SDDM}}_n$) 18-3
 - write enable ($\overline{\text{SDWE}}_n$) 18-4
- transfer size 18-16
- SEC
 - block diagram 21-2
 - controller 21-11
 - crypto-channel 21-3, 21-12, 21-20
 - descriptors 21-60–21-71
 - buffer 21-23
 - chaining 21-64
 - classes 21-68
 - null fields 21-65
 - static 21-69
 - structure 21-60
 - execution units
 - access 21-12
 - AESU 21-6, 21-87
 - AFEU 21-5, 21-71
 - DEU 21-4, 21-76
 - MDEU 21-7, 21-81
 - multifunction data packet descriptors 21-95
 - multiple assignment 21-12
 - RNG 21-8, 21-86
 - memory map 21-9
 - registers
 - AESU interrupt mask (AESIMR) 21-58
 - AESU interrupt status (AESISR) 21-57
 - AESU reset control (AESRCR) 21-54
 - AESU status (AESSR) 21-55
 - AFEU interrupt mask (AFIMR) 21-34
 - AFEU interrupt status (AFISR) 21-32
 - AFEU reset control (AFRCR) 21-30
 - AFEU status (AFSR) 21-31
 - crypto-channel configuration (CCCR $_n$) 21-21
 - crypto-channel current descriptor pointer (CDPR $_n$) 21-28
 - crypto-channel pointer status (CCPSR $_n$) 21-23
 - data packet descriptor buffer (CDBUF $_n$) 21-29
 - DEU interrupt mask (DIMR) 21-41
 - DEU interrupt status (DISR) 21-39
 - DEU reset control (DRCR) 21-36
 - DEU status (DSR) 21-37
 - EU assignment control (EUACR) 21-13
 - EU assignment status (EUASR) 21-14
 - fetch (FR $_n$) 21-28
 - ID (SIDR) 21-18
 - interrupt control (SICR) 21-15
 - interrupt mask (SIMR) 21-15
 - interrupt status (SISR) 21-15
 - master control (SMCR) 21-18
 - master error address (MEAR) 21-19
 - MDEU interrupt mask (MDIMR) 21-47
 - MDEU interrupt status (MDISR) 21-45
 - MDEU mode 21-82
 - MDEU reset control (MDRCR) 21-43
 - MDEU status (MDSR) 21-44
 - RNG interrupt mask (RNGIMR) 21-53
 - RNG interrupt status (RNGISR) 21-52
 - RNG reset control (RNGRCR) 21-49
 - RNG status (RNGSR) 21-50
- Signals
 - block diagram 2-2
 - clock module
 - clock in (CLKIN) 2-23
 - debug
 - breakpoint/test mode select ($\overline{\text{BKPT/TMS}}$) 2-31
 - development serial clock/test reset (DSCLK/TRST) 2-31
 - development serial input/test data input (DSI/TDI) 2-31
 - development serial output/test data output (DSO/TDO) 2-31
 - processor clock output (PSTCLK) 2-30
 - processor status debug data (PSTDDATA $_n$) 2-31
 - test clock (TCK) 2-32
- DMA
 - DACK $_n$ 23-3
 - DREQ $_n$ 23-3
- DMA controller
 - acknowledge ($\overline{\text{DACK}}_n$) 2-30
 - request (DREQ $_n$) 2-30
- DSPI
 - chip select (DSPICS $_n$) 2-28
 - peripheral chip select 5/peripheral chip select strobe (DSPICS5/PCSS) 2-29, 27-4

- peripheral chip select/slave select (DSPICS0/SS) 27-4
- peripheral chip select/slave select (DSPICS0/SS) 2-28
- peripheral chip selects 2–3 (DSPICS n) 27-4
- serial clock (DSPISCK) 2-28, 27-4
- serial input (DSPISIN) 27-4
- serial output (DSPISOUT) 27-4
- synchronous serial input (DSPISIN) 2-28
- synchronous serial output (DSPISOUT) 2-28
- Ethernet
 - collision (E0COL, E1COL) 2-26
 - management data (E0MDIO, E1MDIO) 2-26
 - management data clock (E0MDC, E1MDC) 2-26
 - mcarrier receive sense (E0CRS, E1CRS) 2-27
 - receive clock (E0RXCLK, E1RXCLK) 2-26
 - receive data (E0RXD n , E1RXD n) 2-27
 - receive data 0 (E0RXD0, E1RXD0) 2-27
 - receive data valid (E0RXDV, E1RXDV) 2-27
 - receive error (E0RXER, E1RXER) 2-27
 - transmit clock (E0TXCLK, E1TXCLK) 2-26
 - transmit data 0 (E0TXD0, E1TXD0) 2-26
 - transmit data 1–3 (E0TXD n , E1TXD n) 2-27
 - transmit enable (E0TXEN, E1TXEN) 2-26
 - transmit error (E0TXER, E1TXER) 2-27
- FlexBus
 - address/data (AD n) 2-18, 17-4
 - byte select (BE/BWEn) 2-19
 - byte selects (BE/BWEn) 17-5
 - chip select (FBCS n) 2-18, 17-4
 - output enable (OE) 2-20, 17-5
 - read/write (R/W) 2-19, 17-4
 - transfer acknowledge (TA) 2-20, 17-5
 - transfer burst (TBST) 2-19, 17-4
 - transfer size (TSIZ n) 2-19, 17-4
 - transfer start (TS) 2-19, 17-4
- general-purpose timers
 - inputs (TIN n) 2-30
 - outputs (TOUT n) 2-30
- GPIO 15-3–15-7
- I²C
 - SCL 26-2
 - SDA 26-2
 - serial clock (SCL) 2-29
 - serial data (SDA) 2-29
- interrupts
 - IRQ n 2-23
- JTAG
 - MTMOD0 22-3
 - test clock input (TCK) 22-4, 22-10
 - test data input/development serial input (TDI/DSI) 22-4
 - test data output/development serial output (TDO/DSO) 22-4
 - test mode select/breakpoint (TMS/BKPT) 22-4
 - test reset/development serial clock (TRST/DSCLK) 22-4
- PCI controller
 - address/data (PCIAD n) 2-21
 - clock (CLKIN) 19-3
 - command/byte enable (PCICXBE n) 2-21
 - device select (PCIDEVSEL) 2-22
 - external bus grant (PCIBG n) 2-23
 - external bus grant/request output (PCIBG0/PCIREQOUT) 2-23
 - external bus request (PCIBR n) 2-23
 - external request/grant input (PCIBR0/PCIGNTIN) 2-23
 - frame (PCIFRAME) 19-3
 - frame (PCIFRM) 2-22
 - initialization device select (PCIIDSEL) 2-22
 - initiator ready (PCIIRDY) 2-22
 - parity (PCIPAR) 2-22
 - parity error (PCIERR) 19-3
 - parity error (PCIPERR) 2-22
 - reset (PCIRESET) 2-22
 - stop (PCISTOP) 2-22, 19-4
 - system error (PCISERR) 2-22
 - target ready (PCITRDY) 2-22
- power and reference
 - EVDD 2-32
 - IVDD 2-32
 - PLLVDV 2-33
 - PLLVSS 2-33
 - SDVDD 2-33
 - USB_OSCAVDD 2-33
 - USB_OSCVDD 2-32
 - USB_PHYVDD 2-32
 - USB_PLLVDD 2-33
 - USBVDD 2-32
 - VSS 2-32
- PSC
 - clear-to-send (PSC n CTS/PSCBCLK) 2-29
 - PSC n CTS/PSCBCLK 25-2
 - PSC n RTS/PSCFSYNC 25-2
 - PSC n RXD 25-2
 - PSC n TXD 25-3
 - receive serial data input (PSC n RXD) 2-29
 - request-to-send (PSC n RTS/PSCFSYNC) 2-30
 - transmit serial data output (PSC n TXD) 2-29
- reset configuration
 - 32-bit FlexBus (FBMODE) 2-24
 - auto acknowledge (AACONFIG) 2-25
 - byte enable (BECONFIG) 2-25

- CLKCONFIG n 2-24
- FlexBus size (FBSIZE) 2-24
- port size (PSCONFIG) 2-25
- reset controller
 - reset in ($\overline{\text{RSTI}}$) 2-23
 - reset out ($\overline{\text{RSTO}}$) 2-23
- SDRAM
 - clock enable 18-4
 - column address strobe 18-3
 - row address strobe 18-3
 - write enable 18-4
- SDRAM controller
 - address bus (SDADDR_n) 2-20, 18-3
 - bank address (SDBA_n) 18-3
 - bank addresses (SDBA_n) 2-20
 - chip select (SDCS_n) 2-20
 - chip selects (SDCS_n) 18-3
 - clock (SDCLCK_n) 18-4
 - clock (SDCLK_n) 2-21
 - clock enable (SDCKE) 2-21, 18-4
 - column address strobe ($\overline{\text{CAS}}$) 2-20, 18-3
 - data bus (SDDATA_n) 2-20, 18-3
 - data strobe (SDDQS_n) 2-21
 - data strobe (SDDQS_n) 18-3
 - data strobe (SDRDQS) 18-4
 - inverted clock (SDCLK_n) 2-21, 18-4
 - memory supply (SDVDD) 18-4
 - reference voltage ($\overline{\text{VREF}}$) 2-21, 18-4
 - row address strobe ($\overline{\text{RAS}}$) 2-20, 18-3
 - SDR data strobe (SDRDQS) 2-21
 - write data byte mask (SDDM_n) 2-21
 - write data byte mask (SDDM_n) 18-3
 - write enable (SDWE) 2-21, 18-4
- test
 - mode (MTMOD_n) 2-32
- timers
 - GPT
 - TIN_n 11-2
- USB
 - differential data 28-4
 - differential data (USB_D^+ , USB_D^-) 2-27
 - USBCLKIN 2-28, 28-5
 - USBCLKOUT 2-28, 28-5
 - USBRBIAS 2-28, 28-5
 - USBVBUS 2-27, 28-4
- SIU
 - memory map 9-1
 - registers
 - JTAG device ID (JTAGID) 9-6
 - module base address (MBAR) 9-2
 - reset status (RSR) 9-5
 - SEC sequential access control (SECSACR) 9-4
 - system breakpoint control (SBCR) 9-3
- SLT
 - memory map 12-1
- SRAM
 - access 7-4
 - arbitration 16-8
 - interaction with cache 7-1
 - initialization 7-4
 - memory map 16-2
 - organization 16-1
 - power management 7-6
 - registers
 - base address (RAMBAR_0 , RAMBAR_1) 7-2
 - configuration (SSCR) 16-3
 - TCC, DMA read channel (TCCRD) 16-5
 - TCC, DMA write channel (TCCRDW) 16-6
 - TCC, SEC (TCCRSEC) 16-7
 - transfer count configuration (TCCR) 16-4

T

- TAP controller 22-7
- Timers
 - CTM
 - block diagram 24-1
 - memory map 24-3
 - modes
 - baud clock generator 24-7
 - initiator 24-8–24-9
 - registers
 - configuration, fixed timer (CTCR_n) 24-4
 - configuration, variable timer (CTCR_n) 24-6
- GPT
 - configuration 11-2
 - memory map 11-2
 - registers
 - counter input (GCIR_n) 11-6
 - enable and mode select (GMS_n) 11-3
 - PWM configuration (GPWM_n) 11-7
 - status (GSR_n) 11-8
 - signals
 - TIN_n 11-2
- SLT
 - registers
 - control (SCR_n) 12-2
 - status (SSR_n) 12-4
 - terminal count (STCNT_n) 12-2
 - timer count (SCNT_n) 12-3

U

USB

- corrupted frame 28-53
- data transfer 28-53–28-57
- exceptions 28-53
- FIFO
 - controller 28-4
 - programming 28-52–28-53, 28-54
 - RAM manager 28-4
 - EP n FRCFGR 28-41
 - RAMSPLIT 28-12
 - size 28-4
- initialization 28-50–28-53
- memory map 28-5
- packets 28-4, 28-54
- registers
 - application interface update (IFUR) 28-24
 - application interrupt mask (USBAIMR) 28-20
 - application interrupt status (USBAISR) 28-18
 - bitstuffing error counter (BSECNT) 28-27
 - bmrequest type (BMRTR) 28-34
 - brequest type (BRTR) 28-34
 - configuration (IFR n) 28-25
 - configuration attribute (CFGAR) 28-22
 - configuration value (CFGR) 28-21
 - control (USBCR) 28-11
 - counter overflow (CNTOVR) 28-28
 - CRC error counter (CRCECNT) 28-26
 - descriptor RAM control (DRAMCR) 28-13
 - descriptor RAM data (DRAMDR) 28-15
 - device speed (SPEEDR) 28-22
 - dropped packet counter (DPCNT) 28-26
 - endpoint info (EPINFO) 28-20
 - endpoint n attribute control 28-29
 - endpoint n FIFO alarm (EP n FAR) 28-47
 - endpoint n FIFO control (EP n FCR) 28-45
 - endpoint n FIFO data (EP n FDR) 28-42
 - endpoint n FIFO RAM configuration (EP n FRCFGR) 28-41
 - endpoint n FIFO read pointer (EP n FRP) 28-48
 - endpoint n FIFO status (EP n FSR) 28-43
 - endpoint n FIFO write pointer (EP n FWP) 28-48
 - endpoint n interface number 28-31
 - endpoint n interrupt mask (EP n IMR) 28-40
 - endpoint n interrupt status (EP n ISR) 28-38
 - endpoint n last read frame pointer (EP n LRFP) 28-49
 - endpoint n last write frame pointer (EP n LWFP) 28-50
 - endpoint n max packet size 28-30
 - endpoint n status 28-32
 - endpoint n status and control (EP n STAT) 28-37
 - endpoint n sync frame 28-36
 - endpoint transaction number (EPTNR) 28-23
 - frame register (FRMNUMR) 28-23
 - framing error counter (FRMECNT) 28-27
 - interrupt mask (USBIMR) 28-17
 - interrupt status (USBISR) 28-15
 - packet passed count (PPCNT) 28-25
 - PID error counter (PIDECNT) 28-27
 - status (USBSR) 28-10
 - transmitted packet counter (TXPCNT) 28-28
 - windex (WINDEXR) 28-35
 - wlength (WLENGTHR) 28-36
 - wvalue (WVALUER) 28-35
- signals
 - differential data 28-4
 - USBCLKIN 28-5
 - USBCLKOUT 28-5
 - USBRBIAS 28-5
 - USBVBUS 28-4

Overview	1
Signal Descriptions	2
ColdFire Core	3
Enhanced Multiply-Accumulate Unit (EMAC)	4
Memory Management Unit (MMU)	5
Floating-Point Unit (FPU)	6
Local Memory	7
Debug Support	8
System Integration Unit (SIU)	9
Internal Clocks and Bus Architecture	10
General Purpose Timers (GPT)	11
Slice Timers (SLT)	12
Interrupt Controller (INTC)	13
Edge Port Module (EPORT)	14
General Purpose I/O (GPIO)	15
System SRAM	16
FlexBus	17
SDRAM Controller (SDRAMC)	18
PCI Bus Controller (PCI)	19
PCI Bus Arbiter (PCIARB)	20
FlexCAN	21
Integrated Security Engine (SEC)	22
IEEE 1149.1 Test Access Port (JTAG)	23
Multichannel DMA (MCD)	24
Comm Timer Module (CTM)	25
Programmable Serial Controller (PSC)	26
I ² C interface	27
DMA Serial Peripheral Interface (DSPI)	28
USB 2.0 Device Controller	29
Fast Ethernet Controller (FEC)	30
Mechanical Data	31
Register Memory Map Quick Reference	A
Index	IND

1	Overview
2	Signal Descriptions
3	ColdFire Core
4	Enhanced Multiply-Accumulate Unit (EMAC)
5	Memory Management Unit (MMU)
6	Floating-Point Unit (FPU)
7	Local Memory
8	Debug Support
9	System Integration Unit (SIU)
10	Internal Clocks and Bus Architecture
11	General Purpose Timers (GPT)
12	Slice Timers (SLT)
13	Interrupt Controller (INTC)
14	Edge Port Module (EPORT)
15	General Purpose I/O (GPIO)
16	System SRAM
17	FlexBus
18	SDRAM Controller (SDRAMC)
19	PCI Bus Controller (PCI)
20	PCI Bus Arbiter (PCIARB)
21	FlexCAN
22	Integrated Security Engine (SEC)
23	IEEE 1149.1 Test Access Port (JTAG)
24	Multichannel DMA (MCD)
25	Comm Timer Module (CTM)
26	Programmable Serial Controller (PSC)
27	I ² C interface
28	DMA Serial Peripheral Interface (DSPI)
29	USB 2.0 Device Controller
30	Fast Ethernet Controller (FEC)
31	Mechanical Data

A	Register Memory Map Quick Reference
IND	Index